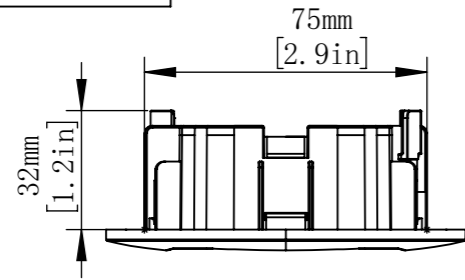
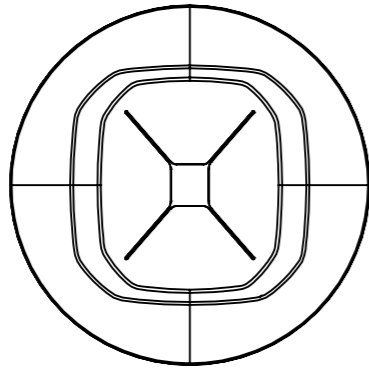


Oversize: $\varnothing 96*36\text{mm}$

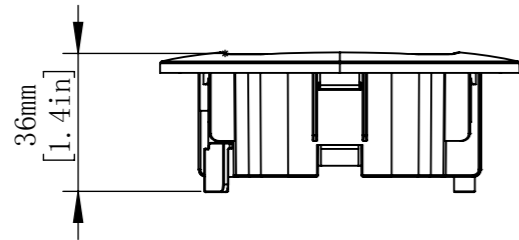
A



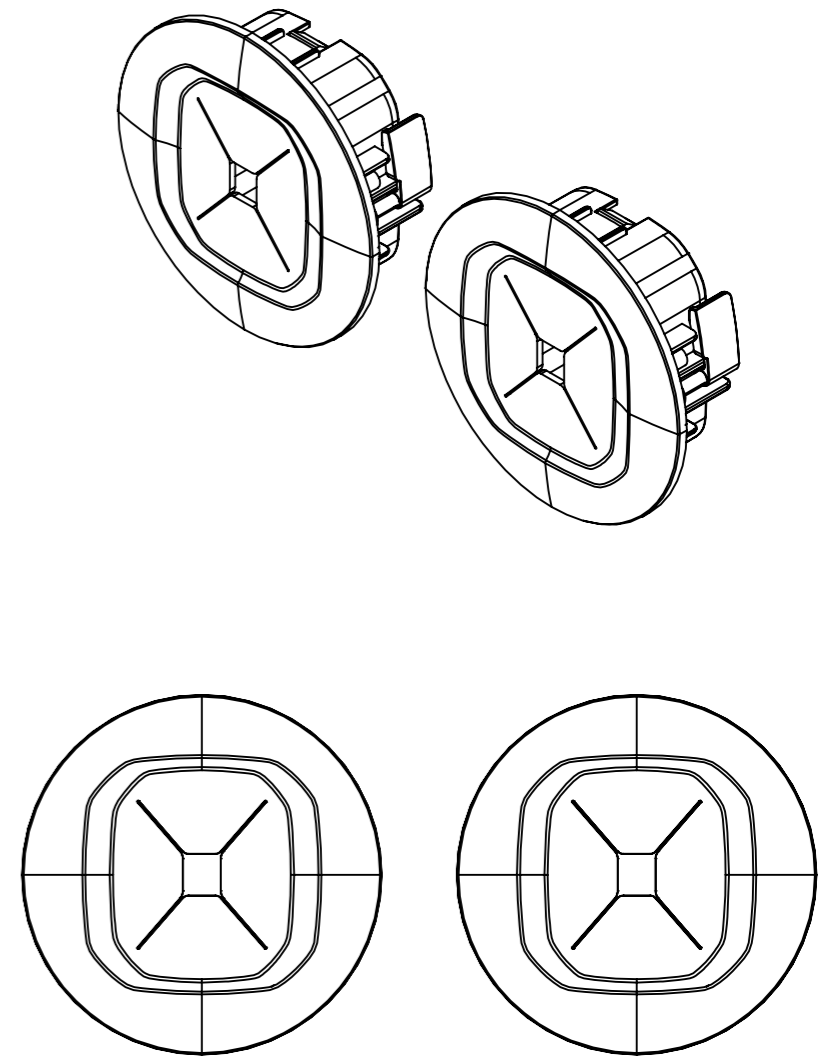
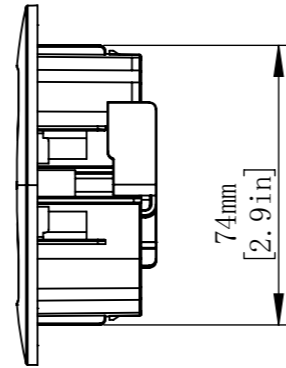
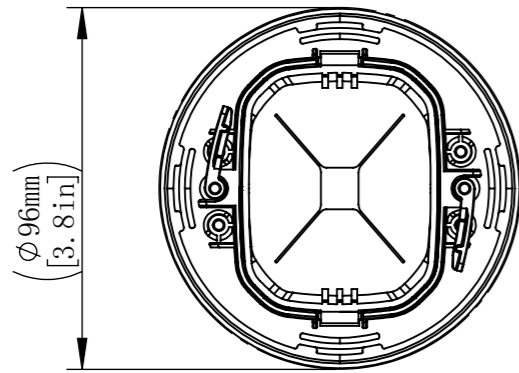
B



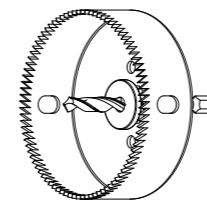
C



D



Provide a Hole Saw in box.



installing dimension:
2.9"*2.9"*1.2"

SYMBOLS
REVISION CHANGE



INSPECTION ITEM



ITEM NUMBER



REFERENCE DIM



THE CONTAINED IS THE CONFIDENTIAL AND PROPERTY OF ErgoAV. ANY REPRODUCTION OR DISCLOSED WITHOUT THE WRITTEN PERMISSION OF ErgoAV IS PROHIBITED.

Date:
2025.06.06
Ver: 00

Model:

ERIWA1-01

