

# MCB 3050

Monolith Bottom Freezer

# LIEBHERR



## Refrigeration and Freezing



home.liebherr.com

MCB 3050	
Energy consumption (kWh / y)	510
Estimated Yearly Energy Cost in US \$	71*
Sound rating dB(A)	40**
Total capacity cu. ft. (l)	14.5 (411)
Refrigerator capacity cu.ft. (l)	6.9 (196)
BioFresh-Plus compartment cu. ft. (l)	2.5 (70)
Freezer capacity cu. ft. (l)	2.5 (70)
Number of shelves	3
Number of door racks	2
Number of freezer drawers	2
Electronic control	InfinitySwipe
Refrigerator temperature range °F (°C)	+36 °F to +45 °F (+2 °C to +7 °C)
Freezer temperature range °F (°C)	+7 °F to -17 °F (-14 °C to -27 °C)
Defrost type	Automatic
Interior light	InfinityLight
Internal water dispenser	InfinitySpring
Water filter	Yes
IceMaker	Fixed water connection
Ice cube output lbs. (kg.)	3.5 (1.6)
Ice cube stock lbs. (kg.)	6.6 (3)
Door hinges	Right, reversible***
<b>Product dimensions</b>	
in inch (H / W / D)	83 3/4" / 29 11/16" / 24"
in cm (H / W / D)	212.6 / 75.4 / 61
<b>Cut out dimensions</b>	
in inch (H / W / D)	84" / 30" / 25"
in cm (H / W / D)	213.4 / 76.2 / 63.5
Net weight lbs. (kg)	403.4 (183)
Voltage V / Hz	115/60

\* Estimated energy cost will depend on utility rates and use. Estimated energy cost based on a national average electricity cost of 14 cents per kWh.

\*\* Noise output – according to EN 60704-3.

\*\*\* Please contact your Liebherr Authorized Dealer for door reversal. Subject to modification. For up-to-date information, visit home.liebherr.com. Specifications are for planning purposes only. For more detailed information, refer to installation instructions or Design Guide.

## Accessories

<b>Stainless Steel Panel Set</b>	9903 020
<b>Monolith brushed aluminum square handle</b>	9901 461
<b>Monolith brushed aluminum square handle for freezer drawer</b>	9901 549
<b>Monolith stainless steel round handle</b>	9901 489 / 9904 680
<b>Monolith stainless steel round handle for freezer drawer</b>	9901 545 / 9904 703
<b>Monolith brushed aluminum soft-edge handle</b>	9901 492
<b>Monolith brushed aluminum soft-edge handle for freezer drawer</b>	9901 924
<b>Stainless steel Toe Kick</b>	9901 530
<b>Reverse door Kit</b>	9902 399
<b>Anti-tip bracket wall mounted</b>	9903 041

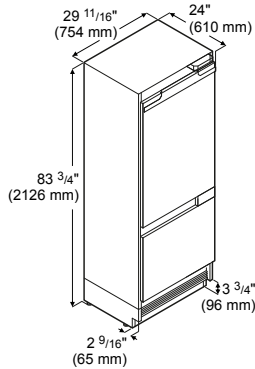
## Features

<b>Infinity Swipe</b>	Intuitive electronic touch-control panel features a full-color 3.5-inch touch & swipe screen that allows you to control every function.
<b>Infinity Light</b>	Casts beautiful and even side lighting that can be tuned according to personal taste, including a soft brightening effect upon opening the doors.
<b>Infinity Spring</b>	Seamlessly integrated flush-mounted internal water dispenser that's there when you need it, and virtually invisible when you don't.
<b>Power Cooling</b>	Allows cool moist air flow into the BioFresh chambers and cold air to circulate behind the door, so items stored in the door remain as cold as everything else in the refrigerator.
<b>Bio Fresh Plus</b>	Featuring separate electronic controls, BioFresh-Plus offers precise temperature regulation, and with our practical divider, you can easily separate the drawer into two compartments with independent temperatures for everyday use.

This unit is also available with left hinges as MCB 3051

# Diagrams

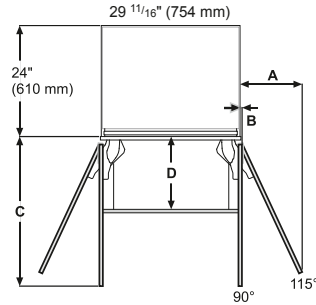
## Product Dimensions



### IMPORTANT!

Stated minimum height dimensions include when the leveled feet are fully inserted.

Height can be increased by a maximum of 3/4" (19 mm) by turning the adjustable feet. When the appliance is fitted in the recess, the appliance must be raised by turning the adjustable feet so that the appliance top has contact with the anti-tipping bracket. This results in a 4" (102 mm) Toe Kick height. Width will increase by 1/4" (6.5 mm) when mounting strips are installed.



### Inset

A = 13 1/4" (337 mm)  
B = 1/2" (12.5 mm)  
C = 31 7/8" (810 mm)

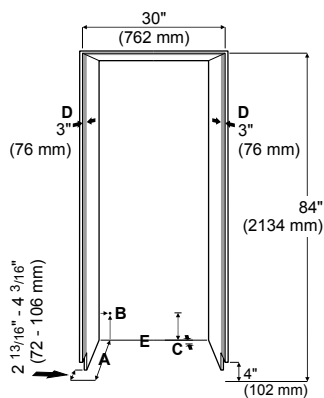
### Frameless

A = 13 1/2" (343 mm)  
B = 1/2" (12.5 mm)  
C = 32 3/8" (822 mm)  
D = 15 3/4" (400 mm)

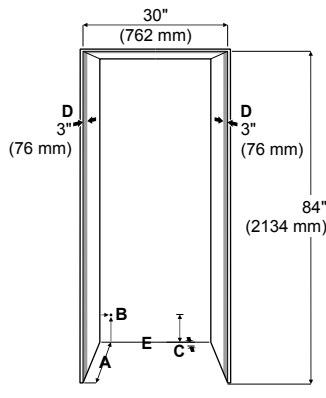
Dimension A = without mounted door handle

## Cutout Dimensions

### Continuous Toe Kick



### Individual Toe Kick



### A

Cabinet depth frameless installation style = 25" (635 mm)  
Cabinet depth inset installation style = 25" (635 mm) + panel thickness.

### B

At this point the power cord exits from the appliance rear. 3/4" (19 mm) from the left and 5" (127 mm) from the floor. Free length of the power cord is 98" (2.5 m).

### C

The appliance has a recess in this area for cable and waterline laying. 1" (25 mm) in depth and 5 1/2" (140 mm) in height over the whole width of the appliance.

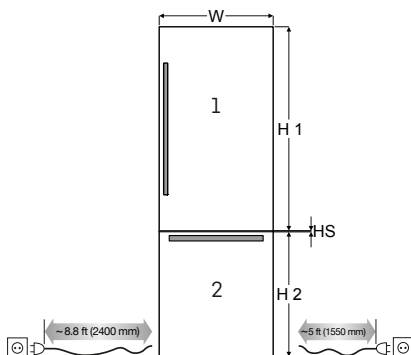
### D

This surface is visible when the appliance door is open. Designed finish is required.

### E

The anti-tipping bracket is positioned at the base of the appliance and must be secured to the wall or to the floor, please refer to the installation manual for more information.

## Door Panel Dimensions and dimensions of free length for power



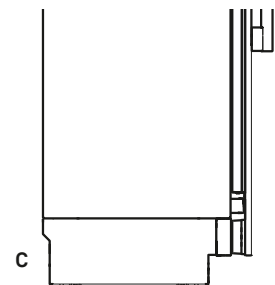
### 30" recess

Inset installation style  
H1 = 49 3/8" (1255 mm)  
H2 = 30 1/4" (768 mm)  
HS = 1/4" (6 mm)  
W = 29 3/4" (756 mm)

### Frameless installation style

H1 = 49 1/2" (1258 mm)  
Add overlapping dimension to the panel on the top.  
H2 = 30 1/4" (768 mm)  
HS = 1/4" (6 mm)  
W = 30" (762 mm)  
Add overlapping dimension to the panel on both sides.

Panel thickness: Min. 5/8" (16 mm)\* / Max. 1" (25.4 mm)  
Panel and handle weight 1: Max. 77 lbs. (35 kg)  
Panel and handle weight 2: Max. 55 lbs. (25 kg)  
Ventilation takes place through the toe kick area. Door panels must be a minimum of 4" (102mm) above the floor.



\* If a shaker style panel is used, which is thinner than the minimum panel thickness, shorter screws than those supplied in the accessory pack must be used.