



# Sealed Burner Rangetop

## *Use and Care Guide*



CLEANING, MAINTENANCE,  
AND MORE



## Contents

- 4** Safety Precautions
- 6** Sealed Burner Rangetop Features
- 7** Rangetop Operation
- 12** Care Recommendations
- 13** Troubleshooting
- 15** Wolf Warranty

## Customer Care

The model and serial number are printed on the enclosed product registration card. Both numbers are also listed on the product rating plate. Refer to page 6 for rating plate location. For warranty purposes, you will also need the date of installation and name of your authorized Wolf dealer. Record this information below for future reference.

### SERVICE INFORMATION

---

Model Number

---

Serial Number

---

Date of Installation

---

Certified Service Name

---

Certified Service Number

---

Authorized Dealer

---

Dealer Number

---

If your product ever needs attention, be sure to use a Wolf Factory Certified Service provider recommended by our Customer Care Center, or select one from our list of providers available at [wolfappliance.com/locator](http://wolfappliance.com/locator). All Factory Certified Service providers are carefully selected and thoroughly trained by us.

## Important Note

To ensure this product is installed and operated as safely and efficiently as possible, take note of the following types of highlighted information throughout this guide:

**IMPORTANT NOTE** highlights information that is especially important.

**CAUTION** indicates a situation where minor injury or product damage may occur if instructions are not followed.

**WARNING** states a hazard that may cause serious injury or death if precautions are not followed.

**IMPORTANT NOTE:** Throughout this guide, dimensions in parentheses are millimeters unless otherwise specified.

### IMPORTANT INSTRUCTIONS

#### **⚠ WARNING**

**If the information in this guide is not followed exactly, a fire or explosion may result, causing property damage, personal injury, or death.**

Do not store or use gasoline or other flammable vapors and liquids in the vicinity of this or any other appliance.

#### **WHAT TO DO IF YOU SMELL GAS:**

- Do not try to light any appliance.
- Do not touch any electrical switch.
- Do not use any phone in your building.
- Immediately call your gas supplier from a neighbor's phone. Follow the gas supplier's instructions. If you cannot reach your gas supplier, call the fire department.

This appliance must be properly installed and serviced by a qualified installer, service agency, or gas supplier and grounded by a qualified technician.

#### **GENERAL SAFETY PRECAUTIONS**

- Read this guide carefully before using this appliance to reduce risk of fire, electric shock, or injury.
- Before performing service, shut off gas supply by closing the gas shut-off valve and shut off electricity to this appliance.
- Keep appliance area clear and free from combustible material.
- For safety when cooking, set burner controls so flame does not extend beyond the bottom of pan.
- Wear proper apparel. Loose-fitting or hanging garments should never be worn while using this appliance.
- Use extreme caution when moving a grease kettle or disposing of hot grease.
- Always use dry pot holders when removing pans from this appliance. Wet or damp pot holders can cause steam burns. Do not use a towel or bulky cloth in place of pot holders.
- Clean only those parts listed in this guide.
- Do not repair or replace any part of this appliance unless specifically recommended in literature accompanying this appliance.
- Do not obstruct the flow of air to ensure proper combustion and ventilation.
- **IMPORTANT:** Do not install a ventilation system that blows air downward toward this gas cooking appliance. This type of ventilation system may cause ignition and combustion problems with this gas cooking appliance resulting in personal injury or unintended operation.

## IMPORTANT INSTRUCTIONS

### GENERAL SAFETY PRECAUTIONS

- Do not use aluminum foil to line any part of this appliance.
- Never use this appliance to warm or heat the room. Doing so may result in carbon monoxide poisoning.
- When using this appliance, do not touch grates, burner caps, burner bases, or any other parts in proximity to the flame. These components may be hot enough to cause burns.
- Do not leave children alone or unattended in the area where this appliance is in use. Never allow children to sit or stand on the appliance.
- Do not store items of interest to children above or at the back of this appliance, as they could climb on the appliance to reach items and be injured.
- Do not use water on grease fires. Smother the flame or use a dry chemical or foam-type extinguisher.
- Never leave this appliance unattended when in use. Boilovers and greasy spills may smoke or ignite.
- Do not heat unopened food containers, such as baby food jars and cans. Pressure build-up may cause the container to burst and cause injury.
- Do not store flammable materials near burners or let grease or other flammable substances accumulate on this appliance.

### ⚠ WARNING

#### PROPOSITION 65 FOR CALIFORNIA RESIDENTS

Cancer and Reproductive Harm—  
[www.P65Warnings.ca.gov](http://www.P65Warnings.ca.gov)

### COMMONWEALTH OF MASSACHUSETTS

- Installations and repairs must be performed by a qualified or licensed contractor, plumber, or gas fitter, qualified or licensed by the state, province, or region where this appliance is being installed.
- Use only gas shut-off valves approved for use within the state, province, or region where this appliance is being installed.
- A flexible gas connector, when used, must not exceed 3' (.9 m).

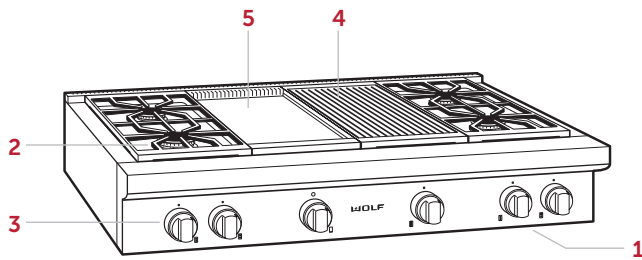
# Sealed Burner Rangetop Features

---

## Sealed Burner Rangetop Features

### FEATURES

1	Product Rating Plate
2	Surface Burner
3	Control Knob
4	Optional Charbroiler
5	Optional Griddle
6	Optional French Top (not shown)
7	Optional Wok Burner (not shown)



48" Sealed Burner Rangetop shown

## Getting Started

We know you are eager to start cooking, but before you do, please take some time to read this use and care guide. Whether you are an occasional cook or an expert chef, it will be to your benefit to familiarize yourself with the safety practices, features, operation, and care recommendations of your Wolf Sealed Burner Rangetop.

- To ensure all residual oil from the manufacturing process has been removed, clean the rangetop thoroughly with hot water and a mild detergent prior to use. Rinse and dry with a soft cloth. Refer to Care Recommendations on page 12.
- Verify surface burner components are assembled correctly.
- Optional charbroiler, griddle, and French top require special attention. Refer to pages 8–10.
- Verify all packaging material is removed from the wok ring and plate.

## Surface Burners

To light a burner, push and turn the corresponding control knob counterclockwise to Hi. The igniter clicks until the burner lights. Once lit, continue to turn the knob counterclockwise to the desired setting.

To select a simmer setting, turn the control knob to the detent at the lowest setting. Push and continue to turn counterclockwise. The flame transitions to the second tier on the burner. Continue to turn the knob to the desired simmer setting.

During a power outage, surface burners can be lit manually. Turn the knob to Hi and light using a multi-purpose lighter.






### SURFACE BURNER RATING

The front left burner is 20,000 Btu. Any additional burners to the right are 18,000 Btu. The rear left burner is 9,200 Btu. Any additional burners to the right are 15,000 Btu.

#### **⚠ CAUTION**

**Never leave pans on a high setting unattended. Be careful when cooking food in fat or grease; it can become hot enough to ignite.**

### CONTROL KNOBS

ICON	CONTROL KNOB	SETTINGS
	Surface Burner	Hi-Lo / Simmer Hi-Lo
	Charbroiler	Hi
	Griddle	100°F-450°F
	French Top	Hi
	Wok Burner	Hi-Lo

## Infrared Charbroiler

The charbroiler has an infrared burner that transfers intense heat to food, searing the outside to seal in juices. Cook food directly on the charbroiler grate, do not use cookware. The back 7" (178) of the charbroiler is cooler than the rest of the surface. This area can be used to hold foods until they are ready to serve.

### Assemble the charbroiler:

- 1 To assemble, position the charbroiler frame on the rangetop. Refer to the illustration below.
- 2 Align slots of the radiant plate with front angle of the frame. Refer to the illustration below. The slots should fit over the front angle and sit flat on the charbroiler frame.
- 3 Install the charbroiler grate.

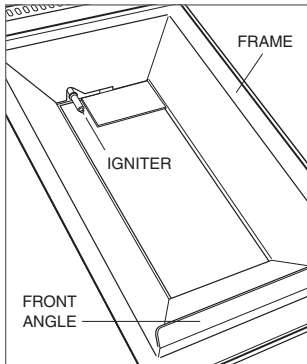
### ⚠ CAUTION

Use care when assembling the charbroiler to avoid contact with the igniter.

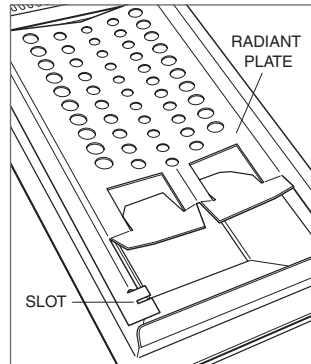
### CHARBROILER OPERATION

The stainless steel cover must be removed prior to operation.

- 1 Turn on ventilation.
- 2 Push and turn the control knob counterclockwise to Hi. The igniter clicks until the burner lights.
- 3 Allow the charbroiler to preheat for 10 minutes.



Charbroiler frame



Charbroiler radiant plate



## Infrared Griddle

The griddle is thermostatically controlled to maintain a consistent temperature. To prevent food from sticking, it is necessary to “season” the griddle prior to use.

### Season the griddle:

- 1 The griddle has a protective coating that must be removed before use. Use hot water and mild detergent to remove. Rinse and dry.
- 2 Turn on ventilation.
- 3 Push and turn the control knob counterclockwise to 350°F (175°C) and heat for 30 minutes. After 30 minutes, turn the knob to Off and allow the surface to cool.
- 4 While the surface is slightly warm, pour a small amount of peanut or vegetable oil on a paper towel and spread evenly.
- 5 Push and turn the control knob to 350°F (175°C). Heat until the griddle begins to smoke, then turn the knob to Off and allow the surface to cool. Once cool, wipe off any excess oil.

## GRIDDLE OPERATION

The stainless steel cover must be removed prior to operation.

- 1 Turn on ventilation.
- 2 Push and turn the control knob counterclockwise to the desired temperature. The igniter clicks until the burner lights. The double griddle has separate controls for each side.
- 3 The indicator light above the knob illuminates until the griddle reaches the set temperature. The light cycles on and off as more heat is required to maintain the set temperature.

# Rangetop Operation

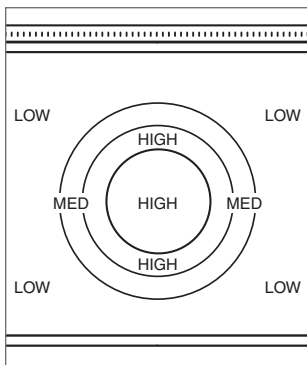
## French Top

The French top is a graduated cooking surface with the highest temperature under the center plate. Always use cookware, do not cook food directly on the surface. For higher cooking heat, place cookware closer to the center and for lower heat, closer to the edges. Refer to the illustration below.

To protect the surface from food splatters and moisture, it is necessary to “season” the French top prior to use.

### Season the French top:

- 1 The French top has a protective coating that must be removed before use. Use hot water and mild detergent to remove. Rinse and dry.
- 2 Turn on ventilation.
- 3 Push and turn the control knob counterclockwise to Hi and heat for 30 minutes. After 30 minutes, turn the knob to Off and allow the surface to cool.
- 4 While the surface is slightly warm, pour a small amount of peanut or vegetable oil on a paper towel and spread evenly. Once cool, wipe off any excess oil.



French top heating zones

## FRENCH TOP OPERATION

The stainless steel cover must be removed prior to operation.

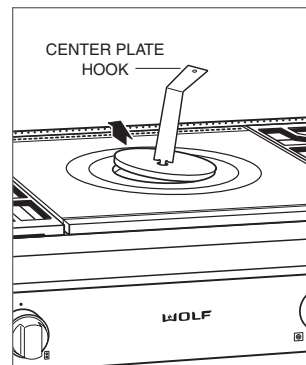
- 1 Turn on ventilation.
- 2 Push and turn the control knob counterclockwise to Hi. The igniter clicks until the burner lights.
- 3 Allow the French top to preheat for 30 minutes.

### ⚠ CAUTION

**Never leave pans on a high heat zone unattended. Be careful when cooking food in fat or grease; it can become hot enough to ignite.**

## CENTER PLATE

The French top burner is located below the center plate. To remove, use the center plate hook (provided with the rangetop) as shown in the illustration below. Never remove the center plate while cooking.



Center plate removal

## Wok Burner

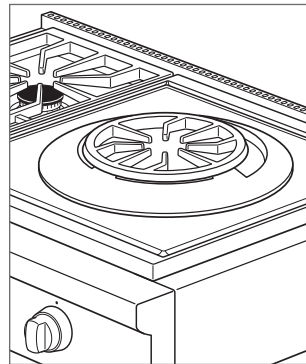
The wok burner has a large burner that transfers intense heat directly to the wok, which is ideal for wok cooking. To select a simmer setting, turn the control knob to the lowest setting. The minimum wok size is 14" (356) in diameter. The maximum wok size is 18" (457) in diameter.

### WOK BURNER OPERATION

- 1 Turn on ventilation.
- 2 Push and turn the control knob counterclockwise to Hi. After 3–5 seconds, the igniter clicks until the burner lights.
- 3 Once lit, continue to turn the knob counterclockwise to the desired setting.

### WOK BURNER GRATE

The wok burner grate allows the wok to function as a large surface burner for flat-bottom pots up to 14" (356) in diameter.



Wok burner grate

## Care Recommendations

### CLEANING

<b>Stainless steel</b>	Use a nonabrasive stainless steel cleaner and apply with a soft lint-free cloth. To bring out the natural luster, lightly wipe the surface with a water-dampened microfiber cloth followed by a dry polishing chamois. Always follow the grain of stainless steel.
<b>Burner grates</b>	Remove and place on a flat surface near the sink. Clean with hot water and mild detergent or paste of baking soda and water. Do not immerse in water. Towel dry.
<b>Burner pan</b>	Remove surface debris before cleaning to help speed up the cleaning process and decrease the chance of scratching the surface during cleaning. Using a mild abrasive cleaner or spray degreaser, clean and rinse the surface and dry immediately to avoid streaking. To clean hard water stains, use white vinegar and water. Rinse and dry immediately.
<b>Surface burners</b>	Allow to cool. Use a mild detergent or spray degreaser to clean. Rinse with water and towel dry.
<b>Charbroiler</b>	After cooking is complete, allow the charbroiler to remain on for 10 minutes. High heat helps burn off excess food particles. When cool, remove the grate and place in the sink. Cover with wet dish towels and pour hot water over it to help loosen residue. Clean with soap and a scouring pad. Rinse and dry.
<b>Griddle</b>	Scrape grease into the grease collection tray after each use. When the surface has cooled, wipe with a paper towel to remove excess grease or oil. After each use, reapply a small amount of peanut or vegetable oil on a paper towel and spread evenly. Occasionally, remove the seasoning. Pour ½ cup (120 ml) warm water and 1 teaspoon (5 ml) griddle cleaner onto the griddle and scrape residue into the grease collection tray, then empty. When dry, reapply a small amount of oil for seasoning.
<b>French top</b>	Clean the entire surface after each use while slightly warm. Wipe with mild detergent and water. Rinse and dry. After each use, reapply a small amount of peanut or vegetable oil on a paper towel and spread evenly. Occasionally, remove the seasoning. Apply a small amount of white vinegar and water to the surface while slightly warm. Scrub and repeat until the excess oil has been removed. Reapply a small amount of oil for seasoning.
<b>Wok ring</b>	Clean with hot water and mild detergent or paste of baking soda and water. Towel dry.
<b>Control knobs Bezels</b>	Using a damp cloth, wipe with a mild detergent or spray degreaser; rinse and dry. Do not place in the dishwasher.

## Troubleshooting

Before contacting Wolf Factory Certified Service, visit [subzero-wolf.com/assistance](http://subzero-wolf.com/assistance) or use these helpful tips to prevent the need for a service visit.

### **Rangetop does not operate.**

- 1 Verify power is on.
- 2 Verify electrical power is supplied to the rangetop and the home circuit breaker is on.
- 3 Turn off the unit at the circuit breaker or electrical supply source for 30 seconds, then turn on power to the unit.
- 4 Verify the gas supply shut-off valve is in the open position.
- 5 Contact Wolf Factory Certified Service. Do not attempt to repair the rangetop. Wolf is not responsible for service required to correct a faulty installation.

### **Burner pan is uneven.**

- 1 Verify the product is sitting on a level platform and pushed all the way back into the opening.
- 2 Confirm the burner grate is sitting level on the burner pan.
- 3 Contact Wolf Factory Certified Service.

### **Erratic flame, poor ignition, or no ignition.**

- 1 Verify burner caps are positioned properly.
- 2 Clean the burner and igniter properly.
- 3 If water spilled over recently, let the area dry completely. Use a hair dryer, if desired.
- 4 If the burner cap secures to the burner head, verify it is tightly fastened.
- 5 Push in the knob, then release. Verify the knob springs back.

### **Charbroiler clicks continually.**

- 1 Verify the knob is set fully at Hi.

### **Griddle indicator light flashes.**

- 1 Turn the knob off, then back on. The flame was lost and the unit entered safety lock-out mode.

## Troubleshooting

### SERVICE

- Maintain the quality built into your product by contacting Wolf Factory Certified Service. For the name of the nearest Wolf Factory Certified Service, check the Product Support section of our website, [wolfappliance.com](http://wolfappliance.com), or call Wolf Customer Care at 800-222-7820.
- When contacting service, you will need the model and serial number of your product. Both numbers are listed on the product rating plate. Refer to page 6 for rating plate location.
- For warranty purposes, you will also need the date of installation and name of your authorized Wolf dealer. This information should be recorded on page 3 of this guide.

## Wolf Appliance Residential Limited Warranty

### FOR RESIDENTIAL USE

#### FULL TWO YEAR WARRANTY\*

For two years from the date of original installation, this Wolf Appliance product warranty covers all parts and labor to repair or replace, under normal residential use, any part of the product that proves to be defective in materials or workmanship. All service provided by Wolf Appliance under the above warranty must be performed by Wolf Factory Certified Service, unless otherwise specified by Wolf Appliance, Inc. Service will be provided during normal business hours.

#### LIMITED FIVE YEAR WARRANTY

For five years from the date of original installation, Wolf Appliance will repair or replace the following parts that prove to be defective in materials or workmanship: gas burners (excludes appearance), electric heating elements, blower motors (ventilation hoods), electronic control boards, magnetron tubes and induction generators. If the owner uses Wolf Factory Certified Service, the service provider will repair or replace these parts with the owner paying for all other costs, including labor. If the owner uses non-certified service, the owner must contact Wolf Appliance, Inc. (using the information below) to receive repaired or replacement parts. Wolf Appliance will not reimburse the owner for parts purchased from non-certified service or other sources.

#### TERMS APPLICABLE TO EACH WARRANTY

The warranty applies only to products installed for normal residential use. The warranty applies only to products installed in any one of the fifty states of the United States, the District of Columbia or the ten provinces of Canada. This warranty does not cover any parts or labor to correct any defect caused by negligence, accident or improper use, maintenance, installation, service or repair.

**THE REMEDIES DESCRIBED ABOVE FOR EACH WARRANTY ARE THE ONLY ONES THAT WOLF APPLIANCE, INC. WILL PROVIDE, EITHER UNDER THIS WARRANTY OR UNDER ANY WARRANTY ARISING BY OPERATION OF LAW. WOLF APPLIANCE, INC. WILL NOT BE RESPONSIBLE FOR ANY CONSEQUENTIAL OR INCIDENTAL DAMAGES ARISING FROM THE BREACH OF THIS WARRANTY OR ANY OTHER WARRANTY, WHETHER EXPRESS, IMPLIED OR STATUTORY.**

Some states do not allow the exclusion or limitation of incidental or consequential damages, so the above limitation or exclusion may not apply to you. This warranty gives you specific legal rights and you may also have other legal rights that vary from state to state.

To receive parts and/or service and the name of Wolf Factory Certified Service nearest you, contact Wolf Appliance, Inc., P.O. Box 44848, Madison, WI 53744; check the Product Support section of our website, [wolfappliance.com](http://wolfappliance.com), email us at [customerservice@subzero.com](mailto:customerservice@subzero.com) or call 800-222-7820.

\*Stainless steel (doors, panels, handles, product frames and interior surfaces) are covered by a limited 60-day parts and labor warranty for cosmetic defects.

\*Replacement filters for ventilation hood recirculating kits are not covered by the product warranty.



## Contenido

- 4** Precauciones de seguridad
- 6** Funciones de la estufa con quemadores sellados
- 7** Funcionamiento de la estufa
- 12** Recomendaciones sobre el cuidado
- 13** Resolución de problemas
- 15** Garantía de Wolf



## Atención al cliente

El modelo y número de serie están impresos en la tarjeta de registro del producto adjunta. Ambos números también aparecen en la placa de datos del producto. Consulte en la página 6 la ubicación de la placa de datos. Para fines de la garantía, también necesitará la fecha de instalación y el nombre de su distribuidor autorizado de Wolf. Guarde la siguiente información para consultas posteriores.

### INFORMACIÓN DE SERVICIO

---

Número de modelo

---

Número de serie

---

Fecha de la instalación

---

Nombre de servicio certificado

---

Número de servicio certificado

---

Distribuidor autorizado

---

Número de distribuidor

---

Si su producto alguna vez necesita servicio, asegúrese de acudir a un proveedor de servicio certificado de fábrica de Wolf recomendado por nuestro centro de atención al cliente o seleccione uno de nuestra lista de proveedores en [wolfappliance.com/locator](http://wolfappliance.com/locator). Nosotros seleccionamos y capacitamos cuidadosamente a todos los proveedores de servicios certificados.

## Aviso importante

Para garantizar que este producto se instale y opere de la forma más segura y eficiente posible, tome nota de los siguientes tipos de información resaltada en este manual:

**AVISO IMPORTANTE** señala la información que es especialmente importante.

**PRECAUCIÓN** indica una situación en la que se pueden sufrir heridas leves o provocar daños al producto si no se siguen las instrucciones.

**ADVERTENCIA** indica peligro de que se produzcan heridas graves o incluso la muerte si no se siguen las precauciones.

**AVISO IMPORTANTE:** En toda esta guía, las dimensiones entre paréntesis son milímetros, a menos que se especifique lo contrario.

### INSTRUCCIONES IMPORTANTES

#### ⚠ ADVERTENCIA

**Si no se sigue la información de esta guía al pie de la letra se puede provocar un incendio o una explosión, y causar daños a la propiedad, lesiones personales o incluso la muerte.**

No almacene ni utilice gasolina u otros vapores o líquidos ignífugos en las proximidades de este o cualquier otro electrodoméstico.

#### QUÉ HACER SI PERCIBE OLOR A GAS:

- No intente encender ningún electrodoméstico.
- No toque ningún interruptor eléctrico.
- No utilice ningún teléfono en su edificio.
- Llame inmediatamente a su proveedor de gas desde el teléfono de un vecino. Siga las instrucciones del proveedor de gas. Si no puede contactar a su proveedor de gas, llame al departamento de bomberos.

Este electrodoméstico debe ser instalado y reparado por un técnico calificado, una agencia de servicio o un proveedor de gas y conectado a tierra por un técnico calificado.

#### PRECAUCIONES GENERALES DE SEGURIDAD

- Lea este manual con atención antes de utilizar este electrodoméstico para reducir el riesgo de incendio, descarga eléctrica o lesiones.
- Antes de dar servicio, cierre el suministro de gas mediante la llave de paso de gas y desconecte el electrodoméstico de la corriente eléctrica.
- Mantenga el área del electrodoméstico limpia y libre de materiales combustibles.
- Para mayor seguridad al cocinar, programe los controles del quemador de manera que la llama no se extienda más allá del fondo de la sartén.
- Utilice ropa adecuada. Nunca debe utilizar ropa holgada ni con aplicaciones sueltas al utilizar este electrodoméstico.
- Tenga mucho cuidado al mover un hervidor con grasa o desechar la grasa caliente.
- Utilice siempre guantes de cocina secos al retirar las cacerolas de este electrodoméstico. Los guantes de cocina húmedos o mojados pueden provocar quemaduras por vapor. No utilice una toalla ni un paño voluminoso en lugar de los guantes de cocina.
- Limpie solamente las partes enumeradas en este manual.
- No intente reparar ni cambiar parte alguna de este electrodoméstico a menos que esté específicamente recomendado en la documentación que acompaña a este electrodoméstico.
- No obstruya el flujo de aire para asegurar una combustión y ventilación adecuadas.
- **IMPORTANTE:** no instale un sistema de ventilación que sople aire en dirección descendente hacia este electrodoméstico de cocina que funciona con gas. Este tipo de sistema de ventilación puede causar problemas de ignición y combustión con este electrodoméstico de gas, lo que puede dar como resultado lesiones personales o funcionamiento accidental.

### INSTRUCCIONES IMPORTANTES

#### PRECAUCIONES GENERALES DE SEGURIDAD

- No utilice papel de aluminio para forrar ninguna parte de este electrodoméstico.
- Nunca utilice este electrodoméstico para entibiar o calentar la habitación. Hacerlo puede resultar en intoxicación por monóxido de carbono.
- Cuando utilice este electrodoméstico, no toque las rejillas, las tapas de los quemadores, las bases de los quemadores o cualquier otra parte en proximidad a la llama. Estos componentes pueden estar lo suficientemente calientes como para causar quemaduras.
- No deje a los niños menores solos ni desatendidos en el área donde se utiliza este electrodoméstico. Nunca permita que los niños se sienten o paren sobre el electrodoméstico.
- No almacene artículos que puedan llamar la atención de niños menores arriba o detrás de este electrodoméstico, ya que podrían subirse al electrodoméstico para alcanzar los objetos y sufrir lesiones.
- No utilice agua en incendios causados por grasas. Sofoque el fuego o utilice extinguidor químico seco o de espuma.
- Nunca deje este electrodoméstico desatendido cuando se encuentre en uso. El rebosamiento por ebullición y los derrames de grasa pueden generar humo o incendiarse.
- No caliente recipientes de comida cerrados, como frascos de alimentos para bebés o enlatados. La acumulación de presión puede hacer que el recipiente explote y cause lesiones.
- No almacene materiales ignífugos cerca de los quemadores y tampoco permita la acumulación de grasa u otras sustancias ignífugas en este electrodoméstico.

#### ⚠ ADVERTENCIA

##### PROPUESTA 65 PARA RESIDENTES DE CALIFORNIA

**Cáncer y Daño Reproductivo—**  
[www.P65Warnings.ca.gov](http://www.P65Warnings.ca.gov)

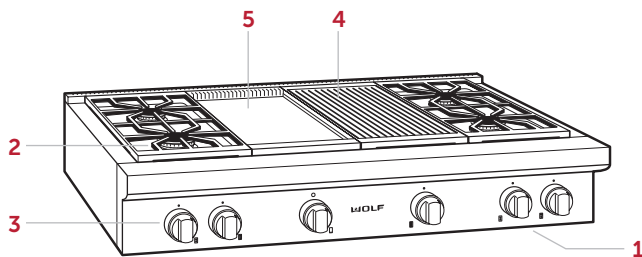
#### MANCOMUNIDAD DE MASSACHUSETTS

- Las instalaciones y reparaciones deben ser realizadas por un contratista, plomero o un instalador de gas autorizado o calificado por el estado, la provincia o región donde se va a instalar este electrodoméstico.
- Utilice únicamente llaves de paso para gas aprobadas para su uso dentro del estado, provincia o región donde se va a instalar este electrodoméstico.
- Un conector de gas flexible, cuando se utilice, no debe sobrepasar 3' (.9 m).

## Funciones de la estufa con quemadores sellados

### CARACTERÍSTICAS

1	Placa de datos del producto
2	Quemador superior
3	Perilla de control
4	Parrilla opcional
5	Plancha opcional
6	Encimera francesa opcional (no representada)
7	Quemador wok opcional (no representada)



La estufa con quemadores sellados mostrada es la de 48"

## Primeros pasos

Sabemos que está ansioso por empezar a cocinar, pero antes de hacerlo, dedique un poco de tiempo a leer este manual de uso y cuidado. Si usted es un cocinero ocasional o un chef experto, se beneficiará de familiarizarse con las prácticas de seguridad, características, funcionamiento y recomendaciones de cuidado de su estufa con quemadores sellados Wolf.

- Para asegurarse de que todo el aceite residual del proceso de fabricación se haya eliminado, limpie a fondo la estufa con agua caliente y un detergente suave antes de utilizarla. Enjuague y seque con un paño suave. Consulte las recomendaciones sobre el cuidado en la página 12.
- Compruebe que los componentes del quemador superior estén ensamblados correctamente.
- La parrilla, plancha y la encimera francesa opcionales requieren de atención especial. Consulte las páginas 8 a 10.
- Verifique que todo el material de embalaje se haya retirado del anillo y la placa wok.

## Quemadores superiores

Para encender un quemador, empuje y gire la perilla de control correspondiente en sentido opuesto a las manecillas del reloj a Hi (alto). El piloto comenzará a hacer clic hasta que se encienda el quemador. Una vez encendido, siga girando la perilla de control en sentido opuesto a las manecillas del reloj hasta llegar a la programación deseada.

Para seleccionar una programación a fuego lento, gire la perilla de control hasta que se detenga en la programación más baja. Pulse y siga girando en sentido opuesto a las manecillas del reloj. La llama pasará al segundo nivel en la tapa del quemador. Siga girando la perilla hasta llegar a la programación de fuego lento deseada.

Durante un corte de energía, los quemadores superiores se pueden encender manualmente. Gire la perilla a Hi (alto) y encienda con un encendedor multiusos.






## CLASIFICACIÓN DEL QUEMADOR DE SUPERFICIE

El quemador delantero izquierdo es de 20,000 Btu. Cualquier quemador adicional a la derecha es de 18,000 Btu. El quemador trasero izquierdo es de 9.200 Btu. Cualquier quemador adicional a la derecha es de 15,000 Btu.

### **⚠ PRECAUCIÓN**

**Nunca deje desatendidas las cacerolas en una programación de alta temperatura. Tenga cuidado al cocinar los alimentos en grasa o aceite, estos pueden calentarse lo suficiente como para incendiarse.**

## PERILLAS DE CONTROL

ICONO	PERILLA DE CONTROL	AJUSTES
	Quemador superior	Hi-Lo / Simmer Hi-Lo
	Parrilla	Hi
	Plancha	100°F-450°F
	Encimera francesa	Hi
	Quemador wok	Hi-Lo

## Parrilla infrarroja

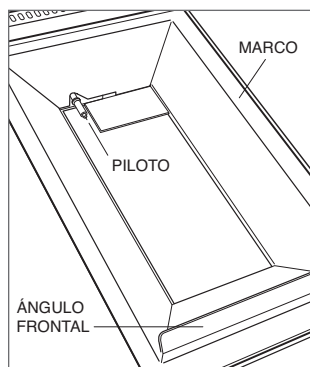
La parrilla tiene un quemador infrarrojo que transfiere un calor intenso a los alimentos, por lo que dora el exterior y sella los jugos dentro. Cocine los alimentos directamente sobre la rejilla de la parrilla, no utilice utensilios de cocina. El espacio de 7" (178) detrás de la parrilla es más fresco que el resto de la superficie. Puede utilizar esta zona para mantener los alimentos hasta que estén listo para servirlos.

### Cómo ensamblar la parrilla:

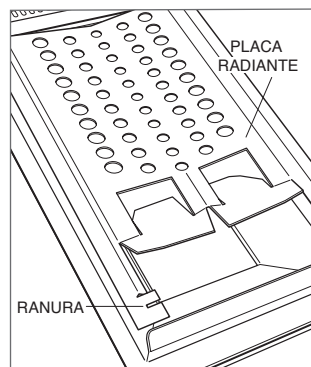
- 1 Para ensamblar, coloque el marco de la parrilla sobre la estufa. Consulte la siguiente ilustración.
- 2 Alinee las ranuras de la placa radiante con el ángulo frontal del marco. Consulte la siguiente ilustración. Las ranuras deben ajustarse sobre el ángulo frontal y quedar completamente planas sobre el marco de la parrilla.
- 3 Instale la rejilla de la parrilla.

### ⚠ PRECAUCIÓN

Tenga cuidado al ensamblar la parrilla para evitar el contacto con el piloto.



Marco de la parrilla



Placa radiante de la parrilla

## FUNCIONAMIENTO DE LA PARRILLA

La cubierta de acero inoxidable se debe retirar antes de utilizarla.

- 1 Encienda la ventilación.
- 2 Presione y gire la perilla de control en sentido opuesto a las manecillas del reloj hasta llegar a Hi (alto). El piloto comenzará a hacer clic hasta que se encienda el quemador.
- 3 Deje que se caliente durante 10 minutos.

## CUIDADO DE LA PARRILLA

- Una vez que termine de cocinar, deje encendida la parrilla durante 10 minutos. El fuego alto ayudará a quemar el exceso de partículas de alimentos.
- Una vez que la rejilla se enfríe, retírela y colóquela en el fregadero. Cúbrala con toallas de cocina húmedas y vierta agua sobre ella para aflojar los residuos. Limpie con jabón y una almohadilla abrasiva. Enjuague y seque.
- Para limpiar el marco, retírelo y colóquelo en el fregadero. Remójelo en agua caliente y detergente suave. Lávelo y frótelo con una almohadilla abrasiva.

## Plancha infrarroja

La plancha está controlada por termostato para mantener una temperatura constante. Para evitar que los alimentos se peguen, es necesario "preparar" la plancha antes de usarla.

### Preparación de la plancha:

- 1 La plancha tiene una capa protectora que debe quitarse antes de usarla. Utilice agua caliente y detergente suave para quitarla. Enjuague y seque.
- 2 Presione y gire la perilla de control en sentido opuesto a las manecillas del reloj hasta llegar a 350 °F (175 °C) y caliente durante 30 minutos. Una vez transcurridos los 30 minutos, Off (apague) y deje enfriar.
- 3 Cuando la superficie esté ligeramente caliente, vierta una pequeña cantidad de aceite de maní o vegetal en una toalla de papel y extienda uniformemente.
- 4 Presione y gire la perilla de control a 350 °F (175 °C). Caliente hasta que la plancha empiece a sacar humo, luego Off (apague) y deje enfriar. Una vez que enfríe, limpie el exceso de aceite.

## FUNCIONAMIENTO DE LA PLANCHA

La cubierta de acero inoxidable se debe retirar antes de utilizarla.

- 1 Encienda la ventilación.
- 2 Presione y gire la perilla de control en sentido opuesto a las manecillas del reloj hasta alcanzar la temperatura deseada. El piloto comenzará a hacer clic hasta que se encienda el quemador. La plancha doble tiene controles independientes para cada lado.
- 3 La luz indicadora encima de la perilla se enciende hasta que la plancha alcanza la temperatura programada. La luz se encenderá y apagará por ciclos a medida que se necesita más calor para mantener la temperatura programada.

## CUIDADO DE LA PLANCHA

- Raspe la grasa en la bandeja de recolección de grasa después de cada uso. Cuando la superficie se haya enfriado, límpiela con papel absorbente para retirar el exceso de grasa o aceite.
- Después de cada uso, vuelva a aplicar una pequeña cantidad de aceite de maní o vegetal en una toalla de papel y extienda uniformemente.
- De vez en cuando, retire la preparación. Vierta ½ taza (120 ml) de agua tibia y 1 cucharadita (5 ml) de limpiador para plancha sobre la plancha y raspe la grasa en la bandeja de recolección de grasa, y después vacíela. Una vez que esté seca, vuelva a aplicar una pequeña cantidad de aceite para prepararla.

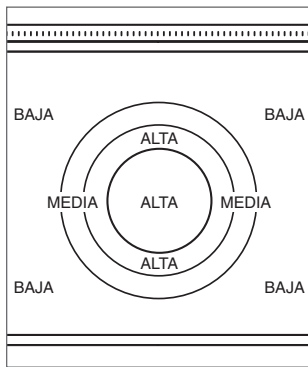
## Encimera francesa

La encimera francesa (french top) es una superficie de cocción graduada con la temperatura más alta debajo de la placa central. Siempre utilice utensilios de cocina, no cocine los alimentos directamente sobre la superficie. Para más calor de cocción, coloque los utensilios más cerca del centro y para menos calor, más cerca de los bordes. Consulte la siguiente ilustración.

Para proteger la superficie contra las salpicaduras de alimentos y la humedad, es necesario "preparar" la encimera francesa antes de utilizarla.

### Preparación de la encimera francesa:

- 1 La encimera francesa tiene una capa protectora que debe quitarse antes de su uso. Utilice agua caliente y detergente suave para quitarla. Enjuague y seque.
- 2 Presione y gire la perilla de control en sentido opuesto a las manecillas del reloj hasta llegar a Hi (alto) y caliente durante 30 minutos. Una vez transcurridos los 30 minutos, Off (apague) y deje enfriar.
- 3 Cuando la superficie esté ligeramente caliente, vierta una pequeña cantidad de aceite de maní o vegetal en una toalla de papel y extienda uniformemente.



Zonas de calentamiento de la encimera francesa

## FUNCIONAMIENTO DE LA ENCIMERA FRANCESA

La cubierta de acero inoxidable se debe retirar antes de utilizarla.

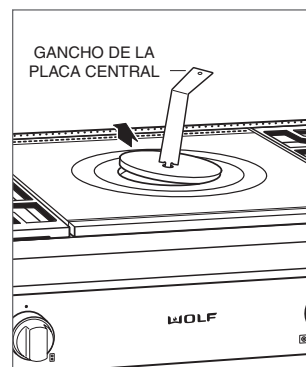
- 1 Encienda la ventilación.
- 2 Presione y gire la perilla de control en sentido opuesto a las manecillas del reloj hasta llegar a Hi (alto). El piloto comenzará a hacer clic hasta que se encienda el quemador.
- 3 Deje que se caliente durante 30 minutos.

### ⚠ PRECAUCIÓN

**Nunca deje cacerolas desatendidas en una zona de alta temperatura. Tenga cuidado al cocinar los alimentos en grasa o aceite, estos pueden calentarse lo suficiente como para incendiarse.**

## PLACA CENTRAL

El quemador de la encimera francesa se encuentra debajo de la placa central. Para retirarlo, utilice el gancho de la placa central suministrado con la estufa tal y como se muestra en la ilustración. Nunca retire la placa central durante la cocción.



Cómo extraer la placa central



## Quemador de wok

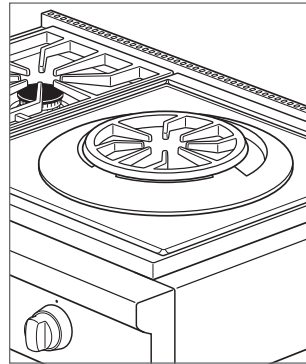
El quemador de wok tiene un quemador grande que transfiere el calor intenso directamente al wok, que es ideal para cocinar wok. Para seleccionar una configuración de cocción lenta, gire la perilla de control a la configuración más baja. El tamaño mínimo de wok es de 14" (356) de diámetro. El tamaño máximo del wok es de 18" (457) de diámetro.

### OPERACION DE QUEMADOR DE WOK

- 1 Encienda la ventilación.
- 2 Presione y gire la perilla de control en sentido opuesto a las manecillas del reloj hasta llegar a Hi (alto). Después de 3-5 segundos, el piloto comenzará a hacer clic hasta que se encienda el quemador.
- 3 Una vez encendido, continúe girando la perilla hacia la izquierda hasta el ajuste deseado.

### REJILLA DE QUEMADOR DE WOK

La rejilla del quemador de wok permite que el wok funcione como un quemador de superficie grande para ollas de fondo plano de hasta 14" (356) de diámetro.



Rejilla de quemador de wok

## Recomendaciones sobre el cuidado

### LIMPIEZA

<b>Acero inoxidable</b>	Use un limpiador no abrasivo para acero inoxidable y aplique con un paño suave sin pelusa. Para resaltar el lustre natural, limpie suavemente la superficie con una tela de microfibra humedecida con agua, seguida con una gamuza para pulir en seco. Siempre siga la dirección del acabado del acero inoxidable.
<b>Parrillas del quemador</b>	Retire y coloque sobre una superficie plana cerca del fregadero. Límpielas con agua caliente y un detergente suave o con pasta de bicarbonato de sodio y agua. No las sumerja en agua. Seque con una toalla.
<b>Bandeja del quemador</b>	Retire los desechos de la superficie antes de limpiarla para agilizar el proceso de limpieza y disminuir las posibilidades de rayar la superficie. Utilizando limpiadores ligeramente abrasivos o desengrasantes en aerosol, limpie y enjuague la superficie y séquela de inmediato para evitar que se raye. Utilice vinagre blanco y agua para limpiar las manchas ocasionadas por el agua con alto contenido de minerales. Enjuague y seque de inmediato.
<b>Quemadores superiores</b>	Deje enfriar. Límpielos con detergente suave o desengrasante en aerosol. Enjuague con agua y séquelos con una toalla.
<b>Parrilla</b>	Una vez que termine de cocinar, deje encendida la parrilla durante 10 minutos. El fuego alto ayudará a quemar el exceso de partículas de alimentos. Una vez que la rejilla se enfríe, retírela y colóquela en el fregadero. Cúbrala con toallas de cocina húmedas y vierta agua sobre ella para aflojar los residuos. Limpie con jabón y una almohadilla abrasiva. Enjuague y seque. Para limpiar el marco, retírelo y colóquelo en el fregadero. Remójelo en agua caliente y detergente suave. Lávelo y frótelo con una almohadilla abrasiva.
<b>Plancha</b>	Raspe la grasa en la bandeja de recolección de grasa después de cada uso. Cuando la superficie se haya enfriado, límpiela con papel absorbente para retirar el exceso de grasa o aceite. Después de cada uso, vuelva a aplicar una pequeña cantidad de aceite de maní o vegetal en una toalla de papel y extiéndala uniformemente. De vez en cuando, retire la preparación. Vierta ½ taza (120 ml) de agua tibia y 1 cucharadita (5 ml) de limpiador para plancha sobre la plancha y raspe la grasa en la bandeja de recolección de grasa, y después vacíela. Una vez que esté seca, vuelva a aplicar una pequeña cantidad de aceite para prepararla.
<b>Encimera francesa</b>	Limpie toda la superficie después de cada uso cuando aún esté ligeramente caliente. Limpie con detergente suave y agua. Enjuague y seque. Después de cada uso, vuelva a aplicar una pequeña cantidad de aceite de maní o vegetal en una toalla de papel y extiéndala uniformemente. De vez en cuando, retire la preparación. Aplique una pequeña cantidad de vinagre blanco y agua a la superficie cuando aún se encuentre ligeramente caliente. Frote y repita hasta que haya retirado todo el exceso de aceite. Vuelva a aplicar una pequeña cantidad de aceite para prepararla.
<b>Anillo de wok</b>	Limpie con agua caliente y un detergente suave o una pasta de bicarbonato de sodio y agua. Seque la toalla.
<b>Perillas de control Anillos</b>	Utilizando un paño húmedo, límpielos con detergente suave o desengrasante en aerosol; enjuague y deje secar. No los coloque en el lavavajillas.

## Resolución de problemas

Antes de ponerse en contacto con el servicio certificado de Wolf Factory, visite [subzero-wolf.com/assistance](http://subzero-wolf.com/assistance) o utilice estos consejos útiles para evitar la necesidad de una visita de servicio.

### La estufa no funciona.

- 1 Verifique que la energía esté encendida.
- 2 Verifique que se suministre energía eléctrica a la estufa y que el disyuntor doméstico esté encendido.
- 3 Apague la unidad en el disyuntor o la fuente de suministro eléctrico durante 30 segundos, luego encienda la unidad.
- 4 Verifique que la válvula de cierre del suministro de gas esté abierta posición.
- 5 Comuníquese con el servicio certificado de Wolf Factory. No intente reparar la estufa. Wolf no se hace responsable del servicio necesario para corregir una instalación defectuosa.

### La bandeja del quemador está dispareja.

- 1 Verifique que el producto esté colocado sobre una plataforma nivelada y empujado hasta el fondo de la abertura.
- 2 Confirme que la rejilla del quemador esté nivelada sobre la bandeja del quemador.
- 3 Comuníquese con el servicio certificado de Wolf Factory.

### Flama errática, encendido inadecuado o no enciende.

- 1 Compruebe que las tapas de los quemadores estén colocadas correctamente.
- 2 Limpie bien el quemador y el piloto.
- 3 Si se derramó agua recientemente, deje que el área seque por completo. Utilice una secadora de cabello si así lo desea.
- 4 Si la tapa del quemador se asegura a la cabeza del quemador, compruebe que esté bien sujeta.
- 5 Empuje la perilla hacia adentro, luego suéltela. Compruebe que la perilla regrese a su posición original.

### La parrilla hace clic continuamente.

- 1 Compruebe que la perilla se encuentre completamente en Hi (alto).

### La luz indicadora de la plancha parpadea.

- 1 Apague la perilla y luego vuelva a encenderla. La llama se apagó y la unidad entró en modo de bloqueo de seguridad.

## Resolución de problemas

### SERVICIO

- Para mantener la calidad incorporada en su producto, póngase en contacto con el servicio certificado de fábrica de Wolf. Para conocer los datos del centro de servicio certificado de fábrica de Wolf más cercano, consulte la sección de Soporte de productos de nuestro sitio web, [wolfappliance.com](http://wolfappliance.com) o bien, llame a la línea de atención al cliente de Wolf al 800-222-7820.
- Al comunicarse con el servicio, necesitará el modelo y el número de serie de su producto. Los dos números aparecen en la placa de datos del producto. Consulte la página 6 para encontrar la placa de datos.
- Para fines de la garantía, también necesitará la fecha de instalación y el nombre de su distribuidor autorizado de Wolf. Esta información debe estar registrada en la página 3 de este manual.

## Garantía limitada residencial de Wolf Appliance

### PARA USO RESIDENCIAL

#### **GARANTÍA COMPLETA DE DOS AÑOS\***

Durante dos años a partir de la fecha de la instalación original, la garantía de su producto Wolf Appliance cubre todas las partes y mano de obra para reparar o reemplazar, bajo el uso residencial normal, cualquier parte del producto que se compruebe estar defectuosa en material o mano de obra. Todos los servicios proporcionados por Wolf Appliance bajo la garantía anterior deben ser ejecutados por servicios certificados de fábrica de Wolf, a menos que Wolf Appliance, Inc. lo especifique de otra manera. El Servicio será proporcionado durante el horario comercial normal.

#### **GARANTÍA LIMITADA DE CINCO AÑOS**

Por cinco años a partir de la fecha de la instalación original, Wolf Appliance reparará o reemplazará los siguientes componentes que se comprueben estar defectuosos en material o mano de obra: quemadores de gas (excluyendo la apariencia), elementos eléctricos de calentamiento, motores de sopladores (campanas de ventilación), módulos de control eléctrico, tubos magnetrón y generadores de inducción. Si el propietario utiliza el servicio certificado de fábrica de Wolf, el prestador del servicio reparará o reemplazará estas partes mediante el pago de todos los otros costos, incluyendo mano de obra, a cargo del propietario. Si el propietario utiliza un servicio no certificado, debe ponerse en contacto con Wolf Appliance, Inc. (utilizando la información anotada más adelante) para recibir los componentes reparados o de reemplazo. Wolf Appliance no reembolsará al propietario los importes correspondientes a componentes comprados a un servicio no certificado o a otras fuentes.

#### **TÉRMINOS APLICABLES A CADA GARANTÍA**

La garantía se aplica solamente a los productos instalados para uso residencial normal. La garantía se aplica solamente a los productos instalados en cualquiera de los cincuenta estados de los Estados Unidos, el Distrito de Columbia o las diez provincias de Canadá. Esta garantía no cubre las partes o mano de obra para corregir cualquier defecto causado por negligencia, accidente o uso, mantenimiento, instalación, servicio o reparación inadecuados.

**LOS RECURSOS DESCRITOS ANTERIORMENTE PARA CADA GARANTÍA SON LOS ÚNICOS QUE WOLF APPLIANCE, INC. PROPORCIONARÁ, YA SEA BAJO ESTA GARANTÍA O BAJO CUALQUIER GARANTÍA QUE RESULTE DE LA APLICACIÓN DE LA LEY. WOLF APPLIANCE, INC. NO SE HACE RESPONSABLE POR LOS DAÑOS INDIRECTOS O INCIDENTALES DERIVADOS DE LA VIOLACIÓN DE ESTA GARANTÍA O CUALQUIER OTRA GARANTÍA, YA SEA EXPRESA, IMPLÍCITA O LEGAL.**

Algunos estados no permiten la exclusión o limitación de daños incidentales o consecuentes, por lo tanto la limitación o exclusión anterior podrían no aplicarse en su caso. Esta garantía le otorga derechos legales específicos, y usted también puede tener otros derechos legales que varían entre estados.

Para recibir las partes o el servicio y el nombre del servicio certificado de fábrica de Wolf más cercano a usted, póngase en contacto con Wolf Appliance, Inc., P.O. Box 44848, Madison, WI 53744; Verifique la sección de Soporte de productos de nuestro sitio web, [wolfappliance.com](http://wolfappliance.com), envíenos un correo electrónico a [customerservice@subzero.com](mailto:customerservice@subzero.com) o llame al 800-222-7820.

\*Las puertas, paneles, manijas, estructuras de acero inoxidable y superficies internas están cubiertas por una garantía limitada de 60 días sobre piezas y mano de obra, por defectos cosméticos.

\*Los filtros de repuesto para los kits de circulación de la campana de ventilación no están cubiertos por la garantía del producto.



## Table des matières

- 4** Précautions de sécurité
- 6** Caractéristiques du dessus de cuisinière à brûleur scellé
- 7** Fonctionnement du dessus de cuisinière
- 12** Recommandations d'entretien
- 13** Dépannage
- 15** Garantie de Wolf

## Service à la clientèle

Le numéro de modèle et le numéro de série sont imprimés sur la fiche d'enregistrement du produit ci-jointe. Les deux numéros sont aussi indiqués sur la plaque signalétique du produit. Reportez-vous à la page 6 pour connaître l'emplacement de la plaque signalétique. Pour les besoins de la garantie, vous devrez aussi avoir la date d'installation et le nom de votre dépositaire Wolf autorisé. Inscrivez ces renseignements ci-dessous pour consultation ultérieure.

### RENSEIGNEMENTS SUR LE SERVICE

---

Numéro de modèle

---

Numéro de série

---

Date de l'installation

---

Nom du service certifié

---

Numéro du service certifié

---

Dépositaire autorisé

---

Numéro du dépositaire

---

Si votre produit a besoin d'être réparé, assurez-vous d'utiliser un fournisseur de service certifié par l'usine Wolf recommandé par notre centre de service à la clientèle, ou sélectionnez-en un parmi la liste de fournisseurs disponibles à [wolfappliance.com/locator](http://wolfappliance.com/locator). Tous les fournisseurs de service certifiés par l'usine sont soigneusement sélectionnés et rigoureusement formés par nous.

## Remarque importante

Pour s'assurer que ce produit est installé et utilisé en toute sécurité et aussi efficacement que possible, prenez note des types de renseignements mis en évidence tout au long de ce guide :

**REMARQUE IMPORTANTE** met en évidence des renseignements qui sont particulièrement importants.

**MISE EN GARDE** indique une situation où une blessure mineure ou des dommages au produit peuvent se produire si les directives ne sont pas respectées.

**AVERTISSEMENT** décrit un danger qui peut causer une blessure grave ou la mort si les précautions ne sont pas respectées.

**REMARQUE IMPORTANTE** : Tout au long de ce guide, les dimensions entre parenthèses sont en millimètres à moins d'indication contraire.

### DIRECTIVES IMPORTANTES

#### ▲ AVERTISSEMENT

**Si les renseignements se trouvant dans ce manuel ne sont pas respectés à la lettre, un incendie ou une explosion peuvent se produire causant ainsi des dommages matériels, des blessures ou la mort.**

Ne rangez pas et n'utilisez pas de l'essence ou d'autres vapeurs ou liquides inflammables à proximité de cet appareil ou de tout autre appareil.

#### QUOI FAIRE SI VOUS SENTEZ DU GAZ :

- Ne tentez pas d'allumer un appareil.
- Ne touchez pas aux commutateurs électriques.
- N'utilisez pas les téléphones se trouvant dans votre édifice.
- Communiquez immédiatement avec votre fournisseur de gaz en utilisant le téléphone d'un voisin. Suivez les directives du fournisseur de gaz. Si vous ne pouvez pas joindre votre fournisseur de gaz, communiquez avec les pompiers.

Cet appareil doit être correctement installé et réparé par un installateur qualifié, une agence de service ou un fournisseur de gaz et mis à la terre par un technicien qualifié.

#### PRÉCAUTIONS DE SÉCURITÉ GÉNÉRALE

- Lisez ce guide attentivement avant d'utiliser cet appareil afin de réduire le risque d'incendie, de choc électrique ou de blessures.
- Avant d'effectuer tout service, coupez l'alimentation en gaz en fermant le robinet d'arrêt du gaz et coupez l'alimentation en électricité vers l'appareil.
- Gardez la zone de l'appareil propre et libre de matériaux combustibles.
- Pour une question de sécurité lorsque vous cuisinez, réglez les commandes des brûleurs de manière à ce que la flamme ne se prolonge pas au-delà du fond du chaudron.
- Portez des vêtements appropriés. Des vêtements lâches ou pendants ne doivent jamais être portés pendant que vous utilisez cet appareil.
- Faites extrêmement attention lorsque vous déplacez une marmite de graisse ou jetez de la graisse chaude.
- Utilisez toujours des poignées sèches pour retirer les casseroles de cet appareil. Des poignées mouillées ou humides peuvent causer des brûlures de vapeur. N'utilisez pas une serviette ou un chiffon épais au lieu de poignées.
- Nettoyez seulement les pièces indiquées dans ce guide.
- Ne réparez pas et ne remplacez pas toute pièce de cet appareil à moins que cela ne soit spécifiquement recommandé dans la documentation accompagnant l'appareil.
- Ne bloquez pas le débit d'air pour assurer une combustion et une ventilation appropriées.
- **IMPORTANT** : n'installez pas un système de ventilation qui souffle de l'air vers le bas vers cet appareil de cuisson au gaz. Ce type de système de ventilation peut causer des problèmes d'allumage et de combustion avec cet appareil de cuisson au gaz ce qui pourrait entraîner des blessures ou un fonctionnement imprévu.



# DIRECTIVES IMPORTANTES

## PRÉCAUTIONS DE SÉCURITÉ GÉNÉRALE

- N'utilisez pas du papier en aluminium pour couvrir toute partie de cet appareil.
- N'utilisez jamais cet appareil pour réchauffer ou chauffer la pièce. Cela peut causer un empoisonnement au monoxyde de carbone.
- Lorsque vous utilisez cet appareil, ne touchez pas aux grilles, aux capuchons de brûleur, aux bases des brûleurs ou à toute autre partie à proximité de la flamme. Ces pièces peuvent être assez chaudes pour causer des brûlures.
- Ne laissez pas des enfants seuls ou sans surveillance dans la zone où cet appareil est utilisé. Ne laissez jamais des enfants s'asseoir ou se tenir debout sur l'appareil.
- Ne rangez pas des articles intéressants pour les enfants au-dessus ou à l'arrière de cet appareil puisqu'ils pourraient grimper sur l'appareil pour les atteindre et se blesser.
- N'utilisez pas de l'eau sur des incendies de graisse. Éteignez la flamme ou utilisez un extincteur à poudre chimique ou à mousse.
- Ne laissez jamais l'appareil sans surveillance lorsqu'il fonctionne. Les débordements par bouillonnement et les renversements de graisse peuvent créer de la fumée ou s'enflammer.
- Ne chauffez pas des contenants d'aliment non ouverts comme les pots et les boîtes de nourriture pour bébé. L'accumulation de pression peut faire éclater le contenant et causer des blessures.
- Ne rangez pas des matériaux inflammables près des brûleurs et ne laissez pas de la graisse ou d'autres substances inflammables s'accumuler sur cet appareil.

## ⚠ AVERTISSEMENT

### PROPOSITION 65 POUR RESIDENTS DE LA CALIFORNIE

**Cancer et Troubles de l'appareil reproducteur—[www.P65Warnings.ca.gov](http://www.P65Warnings.ca.gov)**

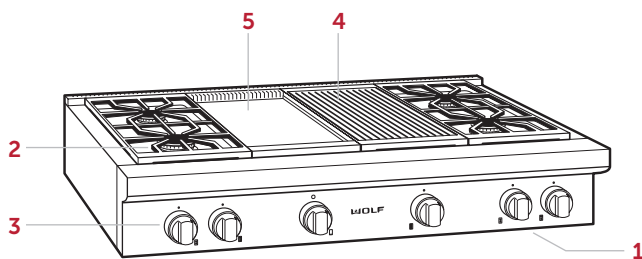
## COMMONWEALTH DU MASSACHUSETTS

- Les installations et les réparations doivent être effectuées par un entrepreneur ou un plombier qualifié ou autorisé ou un monteur d'installation au gaz qualifié ou autorisé par l'État, la province ou la région où cet appareil sera installé.
- Utilisez seulement des robinets d'arrêt du gaz approuvés pour utilisation dans l'État, la province ou la région où cet appareil sera installé.
- Si un connecteur de gaz souple est utilisé, il ne doit pas dépasser 3 pi (0,9 m) de longueur.

## Caractéristiques du dessus de cuisinière à brûleur scellé

### CARACTÉRISTIQUES

1	Plaque signalétique du produit
2	Brûleur de surface
3	Bouton de commande
4	Grilloir type charbon de bois en option
5	Plaque à frire en option
6	Table de cuisson française en option (non illustrée)
7	Brûleur wok en option (non illustrée)



Dessus de cuisinière à brûleur scellé de 48 po illustré

## Comment commencer

Nous savons que vous êtes impatient de commencer à cuisiner, mais avant de le faire, veuillez prendre quelques instants pour lire ce guide d'utilisation et d'entretien. Que vous soyez un cuisinier occasionnel ou un chef expert, il vous sera bénéfique de vous familiariser avec les pratiques de sécurité, les fonctions, le fonctionnement et les recommandations d'entretien de votre dessus de cuisinière à brûleur scellé de Wolf.

- Pour s'assurer que toute l'huile résiduelle du processus de fabrication ait été éliminée, nettoyez le dessus de cuisinière à fond avec de l'eau chaude et un détergent doux avant de l'utiliser. Rincez et séchez avec un chiffon doux. Reportez-vous aux recommandations d'entretien à la page 12.
- Vérifiez que les composants du brûleur en surface soient correctement assemblés.
- Le grilloir type charbon de bois, la plaque à frire et la table de cuisson française nécessitent une attention spéciale. Reportez-vous aux pages 8 à 10.
- Vérifiez que tout le matériel d'emballage est retiré de l'anneau et de la plaque de wok.

## Brûleurs de surface

Pour allumer un brûleur, enfoncez et tournez le bouton de commande correspondant dans le sens antihoraire jusqu'à la position Hi (élevé). L'allumeur commencera à cliquer jusqu'à ce que le brûleur s'allume. Une fois allumé, continuez à tourner le bouton dans le sens antihoraire jusqu'au réglage désiré.

Pour sélectionner un réglage mijoter, tournez le bouton de commande jusqu'au réglage le plus bas. Poussez et continuez à tourner dans le sens antihoraire. La flamme passera au second niveau sur le capuchon du brûleur. Continuez à tourner le bouton jusqu'au réglage de mijotage désiré.

Durant une panne d'électricité, les brûleurs peuvent être allumés manuellement. Tournez le bouton jusqu'à Hi (élevé) en utilisant un allumoir à usages multiples.






## QUALITÉ DES BRÛLEURS DE SURFACE

Le brûleur avant gauche est de 20 000 Btu. Tous les brûleurs supplémentaires à droite sont de 18 000 Btu. Le brûleur arrière gauche est de 9.200 Btu. Tous les brûleurs supplémentaires à droite sont de 15 000 Btu.

### ⚠ MISE EN GARDE

**Ne laissez jamais des chaudrons à un réglage élevé sans surveillance. Faites attention lorsque vous cuisez des aliments dans du gras ou de la graisse; ils peuvent devenir assez chauds pour s'enflammer.**

## BOUTON DE COMMANDE

ICÔNE	BOUTON DE COMMANDE	RÉGLAGES
	Brûleur de surface	Hi-Lo / Simmer Hi-Lo
	Grilloir type charbon de bois	Hi
	Plaque à frire	100°F-450°F
	Table de cuisson française	Hi
	Brûleur wok	Hi-Lo

## Grilloir type charbon de bois infrarouge

Le grilloir type charbon de bois possède un brûleur infrarouge qui transfère de la chaleur intense aux aliments, pour saisir l'extérieur et sceller les jus. Cuisez les aliments directement sur la grille du grilloir type charbon de bois, n'utilisez pas de chaudrons. La surface de 7 po (178) à l'arrière du grilloir type charbon de bois est plus fraîche que le reste de la surface. Cette zone peut être utilisée pour garder les aliments jusqu'à ce qu'ils soient prêts à servir.

### Assemblage du grilloir type charbon de bois :

- 1 Pour assembler, placez le cadre du grilloir type charbon de bois sur le dessus de cuisinière. Reportez-vous à l'illustration ci-dessous.
- 2 Alignez les fentes sur la plaque à rayonnement avec l'angle avant du cadre. Reportez-vous à l'illustration ci-dessous. Les fentes doivent se glisser sur l'angle avant et s'appuyer à plat sur le cadre du grilloir type charbon de bois.
- 3 Installez la grille du grilloir type charbon de bois.

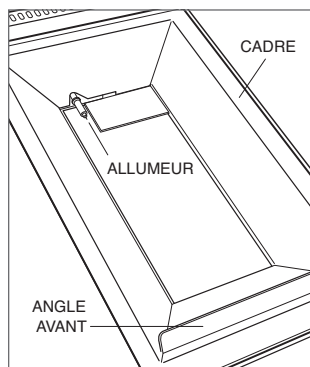
### ⚠ MISE EN GARDE

Faites attention lorsque vous assemblez le grilloir type charbon de bois pour éviter tout contact avec l'allumeur.

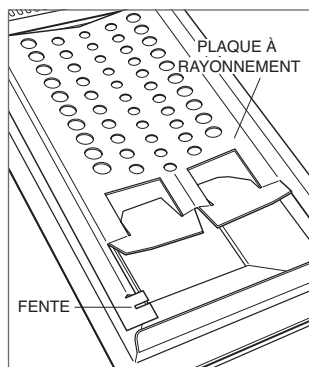
## FONCTIONNEMENT DU GRILLOIR TYPE CHARBON DE BOIS

Le couvercle en acier inoxydable doit être enlevé avant l'utilisation.

- 1 Mettez la ventilation en marche.
- 2 Poussez et tournez le bouton de commande dans le sens antihoraire jusqu'à Hi (élevé). L'allumeur commencera à cliquer jusqu'à ce que le brûleur s'allume.
- 3 Laissez préchauffer pendant 10 minutes.



Cadre du grilloir type charbon de bois



Plaque à rayonnement du grilloir type charbon de bois

## Plaque à frire infrarouge

La plaque à frire est contrôlée thermostatiquement de manière à garder une température constante. Pour empêcher les aliments de coller, il est nécessaire « d'assaisonner » la plaque à frire avant de l'utiliser.

### Assaisonner la plaque à frire :

- 1** La plaque à frire possède un revêtement protecteur qui doit être enlevé avant l'utilisation. Utilisez de l'eau chaude et un détergent doux pour l'enlever. Rincez et séchez.
- 2** Poussez et tournez le bouton de commande dans le sens antihoraire jusqu'à 350 °F (175 °C) et chauffez pendant 30 minutes. Après la période de 30 minutes, mettez à Off (arrêt) et laissez refroidir.
- 3** Tandis que la surface est un peu chaude, versez une petite quantité d'huile d'arachide ou végétale sur une serviette en papier et étalez uniformément.
- 4** Poussez et tournez le bouton de commande à 350 °F (175 °C). Chauffez jusqu'à ce que la plaque à frire commence à produire de la fumée, puis éteignez-la (Off) et laissez refroidir. Une fois refroidie, essuyez l'excédent d'huile.

## FONCTIONNEMENT DE LA PLAQUE À FRIRE

Le couvercle en acier inoxydable doit être enlevé avant l'utilisation.

- 1** Mettez la ventilation en marche.
- 2** Poussez et tournez le bouton de commande dans le sens antihoraire jusqu'à la température désirée. L'allumeur commencera à cliquer jusqu'à ce que le brûleur s'allume. La plaque à frire double possède des commandes séparées pour chaque côté.
- 3** Le voyant au-dessus du bouton s'illumine jusqu'à ce que la plaque à frire atteigne la température choisie. Le voyant s'allumera et s'éteindra si de la chaleur supplémentaire est requise pour maintenir la température choisie.

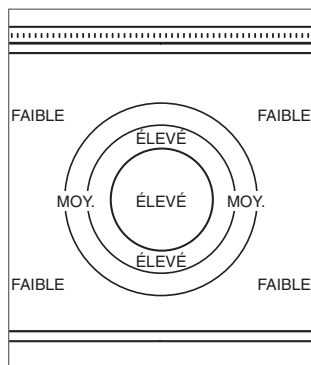
## Table de cuisson française

La table de cuisson française est une surface de cuisson graduée avec la température la plus élevée sous la plaque centrale. Utilisez toujours des chaudrons, ne cuisez pas les aliments directement sur la surface. Pour obtenir une chaleur de cuisson supérieure, placez le chaudron près du centre et pour une chaleur inférieure, plus près des rebords. Reportez-vous à l'illustration ci-dessous.

Pour protéger la surface des éclaboussements de nourriture et de l'humidité, il est nécessaire « d'assaisonner » la table de cuisson française avant de l'utiliser.

### Assaisonner la table de cuisson française :

- 1 La table de cuisson française possède un revêtement protecteur qui doit être enlevé avant l'utilisation. Utilisez de l'eau chaude et un détergent doux pour l'enlever. Rincez et séchez.
- 2 Poussez et tournez le bouton de commande dans le sens antihoraire jusqu'à Hi (élevé) et chauffez pendant 30 minutes. Après la période de 30 minutes, mettez à Off (arrêt) et laissez refroidir.
- 3 Tandis que la surface est un peu chaude, versez une petite quantité d'huile d'arachide ou végétale sur une serviette en papier et étalez uniformément.



Zones thermiques de la table de cuisson française

## FONCTIONNEMENT DE LA TABLE DE CUISSON FRANÇAISE

Le couvercle en acier inoxydable doit être enlevé avant l'utilisation.

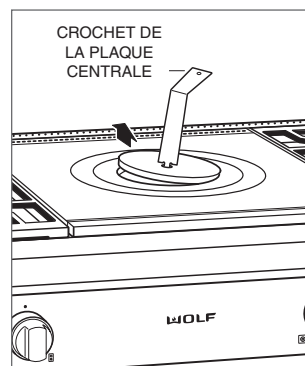
- 1 Mettez la ventilation en marche.
- 2 Poussez et tournez le bouton de commande dans le sens antihoraire jusqu'à Hi (élevé). L'allumeur commencera à cliquer jusqu'à ce que le brûleur s'allume.
- 3 Laissez préchauffer pendant 30 minutes.

### ⚠ MISE EN GARDE

**Ne laissez jamais des chaudrons sur la zone de chaleur élevée sans surveillance. Faites attention lorsque vous cuisez des aliments dans du gras ou de la graisse; ils peuvent devenir assez chauds pour s'enflammer.**

## PLAQUE CENTRALE

Le brûleur de la table de cuisson française se trouve sous la plaque centrale. Pour retirer, utilisez le crochet de la plaque centrale fourni avec le dessus de cuisinière comme il est montré dans l'illustration. Ne retirez jamais la plaque centrale pendant la cuisson.



Retrait de la plaque centrale

### Brûleur wok

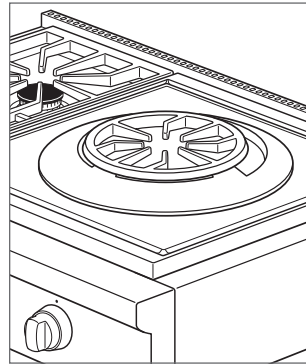
Le brûleur de wok a un grand brûleur qui transfère une chaleur intense directement au wok, ce qui est idéal pour la cuisson au wok. Pour sélectionner un réglage de mijotage, tournez le bouton de commande sur le réglage le plus bas. La taille minimale du wok est de 14 po (356) de diamètre. La taille maximale du wok est de 18 po (457) de diamètre.

### FONCTIONNEMENT DU BRÛLEUR WOK

- 1 Mettez la ventilation en marche.
- 2 Poussez et tournez le bouton de commande dans le sens antihoraire jusqu'à Hi (élevé). Au bout de 3 à 5 secondes, l'allumeur commencera à cliquer jusqu'à ce que le brûleur s'allume.
- 3 Une fois allumé, continuez à tourner le bouton dans le sens antihoraire jusqu'au réglage souhaité.

### GRILLE DE BRÛLEUR WOK

La grille du brûleur de wok permet au wok de fonctionner comme un brûleur de grande surface pour les pots à fond plat d'un diamètre maximum de 14 po (356).



Grille de brûleur wok

## Conseils d'entretien

### NETTOYAGE

<b>Acier inoxydable</b>	Utilisez un nettoyeur non abrasif pour l'acier inoxydable et appliquez-le avec un chiffon doux non pelucheux. Pour faire ressortir le lustre naturel, essuyez légèrement la surface avec un chiffon en microfibrilles humecté d'eau suivi d'un chamois à polir sec. Suivez toujours le grain de l'acier inoxydable.
<b>Grilles de brûleur</b>	Enlevez-les et déposez-les sur une surface plate près de l'évier. Nettoyez avec de l'eau chaude et un détergent doux ou une pâte de bicarbonate de soude et d'eau. N'immergez pas dans l'eau. Séchez avec une serviette.
<b>Cuvette du brûleur</b>	Retirez les débris en surface avant de nettoyer pour aider à accélérer le processus de nettoyage et réduire le risque d'égratignures à la surface pendant le nettoyage. Au moyen de nettoyeurs légèrement abrasifs ou de dégraissants en aérosol, nettoyez et rincez la surface et séchez immédiatement pour éviter les stries. Pour nettoyer les taches d'eau dure, utilisez du vinaigre blanc et de l'eau. Rincez et séchez immédiatement.
<b>Brûleurs de surface</b>	Laissez refroidir. Utilisez un détergent doux ou un dégraissant en aérosol pour nettoyer. Rincez avec de l'eau et séchez avec une serviette.
<b>Grilloir type charbon de bois</b>	Une fois la cuisson terminée, laissez le grilloir type charbon de bois en marche pendant 10 minutes. La chaleur élevée aidera à brûler l'excédent de particules alimentaires. Lorsqu'il est refroidi, retirez la grille et mettez-la dans l'évier. Couvrez de linges à vaisselle et versez de l'eau chaude dessus pour aider à dissoudre les résidus. Nettoyez avec du savon et un tampon à récurer. Rincez et séchez. Pour nettoyer le cadre, retirez-le et placez-le dans l'évier. Trempez-le dans de l'eau chaude et un détergent doux. Lavez à fond et frottez avec un tampon à récurer.
<b>Plaque à frire</b>	Grattez et poussez la graisse dans le collecteur de graisse après chaque utilisation. Une fois la surface refroidie, essuyez-la avec un essuie-tout pour éliminer l'excédent de graisse ou d'huile. Après chaque utilisation, réappliquez une petite quantité d'huile d'arachide ou végétale sur une serviette en papier et étalez uniformément. Éliminez l'assaisonnement de temps à autre. Versez 1/2 tasse (120 ml) d'eau tiède et 1 cuillère à thé (5 ml) de nettoyant à plaque à frire sur la plaque à frire et grattez le résidu dans le collecteur de graisse, puis videz-le. Lorsque la plaque est sèche, versez à nouveau une petite quantité d'huile pour l'assaisonner.
<b>Table de cuisson française</b>	Nettoyez la surface au complet après chaque utilisation pendant qu'elle est encore tiède. Essuyez avec un détergent doux et de l'eau. Rincez et séchez. Après chaque utilisation, réappliquez une petite quantité d'huile d'arachide ou végétale sur une serviette en papier et étalez uniformément. Éliminez l'assaisonnement de temps à autre. Appliquez une petite quantité de vinaigre blanc et d'eau sur la surface pendant qu'elle est encore légèrement chaude. Frottez et répétez jusqu'à ce que l'excédent d'huile ait été éliminé. Versez une petite quantité d'huile à nouveau pour l'assaisonner.
<b>Anneau de wok</b>	Nettoyer avec de l'eau chaude et un détergent doux ou une pâte de bicarbonate de soude et d'eau. Sécher à la serviette.
<b>Boutons de commande Cadrans</b>	Avec un chiffon humide, essuyez avec un détergent doux ou un dégraissant en aérosol; rincez et séchez. Ne les mettez pas dans le lave-vaisselle.



## Dépannage

Avant de contacter le service certifié Wolf Factory, visitez [subzero-wolf.com/assistance](http://subzero-wolf.com/assistance) ou utilisez ces conseils utiles pour éviter d'avoir à effectuer une visite de service.

### **Le dessus de cuisinière ne fonctionne pas.**

- 1 Vérifiez que l'alimentation est allumée.
- 2 Vérifiez que l'alimentation électrique est fournie à la cuisinière et que le disjoncteur de la maison est activé.
- 3 Éteignez l'appareil au niveau du disjoncteur ou de la source d'alimentation électrique pendant 30 secondes, puis mettez l'appareil sous tension.
- 4 Vérifiez que le robinet d'arrêt de l'alimentation en gaz est ouvert position.
- 5 Contactez le service certifié Wolf Factory. N'essayez pas de réparer la table de cuisson. Wolf n'est pas responsable du service requis pour corriger une installation défectueuse.

### **Le plateau du brûleur est irrégulier.**

- 1 Vérifiez que le produit est posé sur une plate-forme de niveau et repoussé complètement dans l'ouverture.
- 2 Vérifiez que la grille du brûleur est au niveau du plateau du brûleur.
- 3 Contactez le service certifié Wolf Factory.

### **Flamme erratique, mauvais allumage ou pas d'allumage.**

- 1 Vérifiez que les capuchons de brûleur sont correctement placés.
- 2 Nettoyez le brûleur et l'allumeur adéquatement.
- 3 Si de l'eau a été renversée récemment, laissez la zone sécher complètement. Utilisez un sèche-cheveux, au besoin.
- 4 Si le capuchon du brûleur se fixe sur la tête du brûleur, assurez-vous qu'il est bien fixé.
- 5 Enfoncez le bouton, puis relâchez-le. Assurez-vous qu'il se remette en place.

### **Le grilloir type charbon de bois clique continuellement.**

- 1 Vérifiez que le bouton est bien réglé à Hi (élevé).

### **Le voyant de la plaque à frire clignote.**

- 1 Mettez le bouton à off (arrêt), puis remettez-le en marche. La flamme a disparu et l'unité est passée au mode de verrouillage de sécurité.

## Dépannage

### SERVICE

- Préservez la qualité intégrée dans votre produit en communiquant avec un service Wolf certifié par l'usine. Pour obtenir le nom du centre de service Wolf certifié par l'usine le plus près, consultez la section Support produit de notre site Web, [wolfappliance.com](http://wolfappliance.com) ou appelez le service à la clientèle de Wolf au 800-222-7820.
- Avant d'appeler pour obtenir du service, ayez en main les numéros de modèle et de série de votre produit. Les deux numéros sont indiqués sur la plaque signalétique du produit. Reportez-vous à la page 6 pour connaître l'emplacement de la plaque signalétique.
- Pour les besoins de la garantie, vous devrez aussi avoir la date d'installation et le nom de votre dépositaire Wolf autorisé. Ces renseignements doivent être notés à la page 3 de ce guide.

## Garantie limitée résidentielle Wolf Appliance

### POUR UTILISATION RÉSIDENIELLE

#### GARANTIE COMPLÈTE DE DEUX ANS\*

Pendant deux ans à compter de la date d'installation originale, cette garantie de produit Wolf Appliance couvre toutes les pièces et la main d'œuvre pour réparer ou remplacer, selon un usage résidentiel normal, toute partie du produit qui s'avérerait défectueuse en vertu des matériaux ou de la fabrication. Tout service fourni par Wolf Appliance en vertu de la garantie ci-dessus doit être effectué par un centre de service Wolf certifié par l'usine, à moins d'indication contraire de la part de Wolf Appliance, Inc. Le service sera fourni pendant les heures normales d'affaires.

#### GARANTIE LIMITÉE DE CINQ ANS

Pendant cinq ans à compter de la date originale d'installation, Wolf Appliance réparera ou remplacera les pièces suivantes qui s'avéreront défectueuses en vertu des matériaux ou de la fabrication : les brûleurs au gaz (sauf l'apparence), les éléments de chauffage électrique, les moteurs de soufflerie (hottes de ventilation), les circuits de contrôle électronique, les tubes magnétrons et les génératrices à induction. Si le propriétaire utilise le service Wolf certifié en usine, le fournisseur de service réparera ou remplacera ces pièces et le propriétaire paiera pour tous les autres frais, y compris la main d'œuvre. Si le propriétaire utilise un service non certifié, il doit communiquer avec Wolf Appliance, Inc. (avec les renseignements ci-dessous) pour obtenir des pièces réparées ou de rechange. Wolf Appliance ne remboursera pas le propriétaire pour les pièces achetées d'un service non certifié ou d'autres sources.

#### CONDITIONS S'APPLIQUANT À CHAQUE GARANTIE

La garantie s'applique uniquement aux produits installés pour un usage résidentiel normal. La garantie s'applique seulement aux produits installés dans l'un des cinquante états des États-Unis, dans le District of Columbia ou les dix provinces du Canada. Cette garantie ne couvre pas les pièces ou la main d'œuvre pour corriger tout défaut causé par de la négligence, un accident ou une utilisation, un entretien, une installation, un service ou une réparation inappropriés.

**LES REMÈDES DÉCRITS CI-DESSUS POUR CHAQUE GARANTIE SONT LES SEULS QUI SONT OFFERTS PAR WOLF APPLIANCE, INC. EN VERTU DE CETTE GARANTIE OU EN VERTU DE TOUTE GARANTIE DÉCOULANT DE L'OPÉRATION DE LA LOI. WOLF APPLIANCE, INC. NE SERA PAS RESPONSABLE DES DOMMAGES INDIRECTS OU CONSÉCUTIFS DÉCOULANT DE LA VIOLATION DE CETTE GARANTIE OU DE TOUTE GARANTIE, EXPRESSE, IMPLICITE OU LÉGALE.**

Certaines provinces ne permettent pas l'exclusion ou la restriction des dommages indirects ou consécutifs, par conséquent, la limite ou l'exclusion ci-dessus peut ne pas s'appliquer à votre cas. Cette garantie vous confère des droits légaux précis et vous pouvez aussi avoir d'autres droits légaux qui peuvent varier d'une province à l'autre.

Pour obtenir des pièces et/ou du service et le nom du centre de service Wolf certifié par l'usine le plus près de chez vous, communiquez avec Wolf Appliance, Inc., P.O. Box 44848, Madison, WI 53744 É.-U.; Consultez la section Support produit de notre site Web, [wolfappliance.com](http://wolfappliance.com), envoyez-nous un courriel à [customerservice@subzero.com](mailto:customerservice@subzero.com) ou composez le 800-222-7820.

\*L'acier inoxydable (les portes, les panneaux, les poignées, les cadres et les surfaces intérieures) est couvert par une garantie limitée de 60 jours sur les pièces et la main d'œuvre pour toute défectuosité cosmétique.

\*Les filtres de rechange pour les trousse de recirculation de hotte ne sont pas couverts par la garantie du produit.



## 目录

- 4 安全注意事项
- 6 密封式燃烧器灶台的特点
- 7 灶台操作
- 12 保养建议
- 13 故障排除
- 15 Wolf质保

## 客户服务

型号和序列号打印在随附的产品注册卡上。这两个编号同样列于产品铭牌上。铭牌位置参见第6页。出于质保目的，您还需要知悉安装日期和授权的Wolf经销商名称。记录以下信息，以供日后参考。

### 服务信息

---

型号

---

序列号

---

安装日期

---

经认证的服务部门名称

---

经认证的服务部门号码

---

授权经销商

---

经销商号码

---

如果您的产品需要护理，请务必采用我们的客户服务中心推荐的Wolf工厂认证的服务提供者，或从wolfappliance.com/locator所列的服务提供者名单中选择一家。所有工厂认证服务提供商均经过我们精心挑选和全面培训。

## 重要提示

为确保尽可能安全高效地安装和操作本产品，请注意本指南中以下突出显示的信息类型：

**重要提示**突出显示尤为重要的信息。

**注意**表示如果不遵守说明，可能会导致轻微的人身伤害或产品损坏的情况。

**警告**表示如果不遵守注意事项，可能会导致严重伤害或死亡的危险。

**重要提示：**除非另有说明，否则在本指南中，括号内的尺寸单位均为毫米。

## 重要说明

### ⚠ 警告

如果未严格遵循本指南中的信息，可能会导致火灾或爆炸，从而造成财产损失、人身伤害或死亡。

请勿在本产品或任何其他产品附近储存或使用汽油或其他易燃蒸气和液体。

#### 如果闻到煤气味，应该怎么办：

- 切勿尝试点燃任何电器用具。
- 切勿触摸任何电气开关。
- 在建筑物中使用任何电话。
- 立即使用邻居的电话呼叫您的燃气供应商。按照燃气供应商的指示操作。
- 如果您无法与燃气供应商取得联系，请致电消防部门。

本设备必须由有资质的安装人员、服务代理商或燃气供应商予以妥善安装及提供服务，并由有资质的技术人员进行接地。

### 一般安全注意事项

- 在使用本设备之前，请仔细阅读本指南，以降低出现火灾、触电或受伤的风险。
- 在进行维修之前，通过关闭燃气切断阀来关闭燃气供应，并关断设备的电源。
- 保持电器区域清洁且无可燃材料。
- 为提高烹饪时的安全性，请设置燃烧器控制器件，以使火焰不超过锅底。
- 穿戴合适的服装。在使用本产品时，切勿穿戴宽松或悬挂的服装。
- 在移动油锅或处置热油时要格外小心。
- 从本产品上取下平底锅时，务必使用干燥的锅垫。潮湿或湿润的锅垫可能导致蒸汽烫伤。不要使用毛巾或大块布来代替锅垫。
- 仅清洁本指南中列出的部件。
- 请勿修理或更换本产品的任何部件，除非在本产品随附的说明中特别推荐。
- 不要妨碍空气流动，以确保适当的燃烧和通风。
- **重要提示：**请勿安装将空气向下吹向燃气灶具的通风系统。这种类型的通风系统可能导致该燃气灶具的点火和燃烧问题，从而造成人身伤害或意外操作。

## 重要说明

### 一般安全注意事项

- 请勿使用铝片连接本产品的任何部件。
- 切勿使用本产品来保温或加热房间。否则，可能导致一氧化碳中毒。
- 使用本产品时，请勿触摸炉排、燃烧器盖、燃烧器底座或火焰附近的任何其他部件。这些组件可能很热，会造成烫伤。
- 不要将单独或无人看管的儿童留在使用本产品的区域。切勿允许儿童坐在或站在设备上。
- 切勿将儿童感兴趣的物品存放在本产品的上方或后方，因为他们可能会爬上电器去拿物品，从而导致人身伤害。
- 切勿用水扑灭油脂引起的火情。用厚物闷住火焰或者使用干粉或泡沫式灭火器。
- 使用时，切勿将本设备置于无人看管的境况。飞沫和油脂溢出可能会冒烟或起火。
- 请勿加热未开封的食品容器，如婴儿食品瓶和罐。压力积聚可能导致容器爆裂并造成伤害。
- 不要在燃烧器附近存放易燃物品，或者让油脂或其他易燃物质积聚在本设备上。

### ⚠ 警告

针对加利福尼亚州居民的65号提案  
癌症和生殖伤害—  
[www.P65Warnings.ca.gov](http://www.P65Warnings.ca.gov)

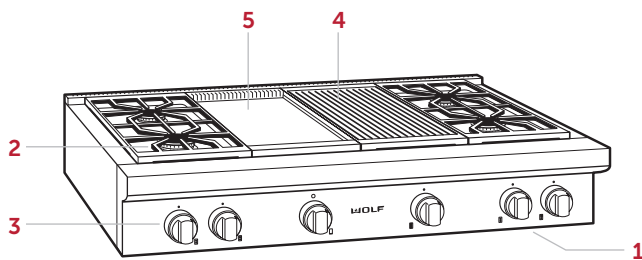
### COMMONWEALTH OF MASSACHUSETTS

- 安装和维修必须由合格或许可的承包商、管道工或气体钳工执行，并且由安装此设备的州、省或地区鉴定或许可。
- 仅使用经批准在安装此设备的州、省或地区使用的燃气切断阀。
- 使用时，柔性气体连接器不得超过 3' (.9 m)。

## 密封式燃烧器灶台的特点

### 特点

1	产品铭牌
2	表面燃烧器
3	控制旋钮
4	可选烧烤炉
5	可选烤盘
6	可选法式炉头（未示出）
7	可选砂锅燃烧器（未示出）



所示为48"密封式燃烧器灶台

## 准备开始

我们知道您迫不及待地想要动手烹饪，但在开始之前，请花些时间阅读本使用与保养指南。无论您是临时的还是专业的厨师，熟悉您的Wolf密封式燃烧器灶台的安全守则、功能、操作和保养建议都会令您受益匪浅。

- 为确保除去制作过程中的所有残留油渍，使用前请用热水和温和的清洁剂彻底清洁该灶台。冲洗并用软布擦干。参见第12页中的“保养建议”。
- 确认已正确组装表面燃烧器组件。
- 可选的烧烤炉、烤盘和法式炉头需特别注意。请参见第8-10页。
- 确认从炒锅环和板上取下所有包装材料。



## 表面燃烧器

要点燃燃烧器，请将相应的控制旋钮顺时针旋转到Hi位置。点火器发出咔嚓声，直到点燃燃烧器。一旦点燃，继续将旋钮逆时针旋转到所需的设置。

要选择慢煮设置，请将控制旋钮转到最低设置位置。按下并继续逆时针旋转。火焰转移到燃烧器的第二层。继续将旋钮旋转到所需的慢煮设置。

停电期间，可手动点燃表面燃烧器。将旋钮旋转到Hi位置，然后使用多用途打火机点燃。

### 表面燃烧器等级

左前燃烧器为20,000 Btu。右边的任何其他燃烧器均为18,000 Btu。左后燃烧器为9,200 Btu。右边的任何其他燃烧器均为15,000 Btu。

#### ⚠ 注意

切勿将平底锅置于无人看管的高温环境下。在动植物油或动物油脂中烹调食物时要小心；油可能热到足以点燃的程度。

### 控制旋钮

图标	控制旋钮	设定
	表面燃烧器	高-低 / 慢炖高-低
	烧烤炉	高
	烤盘	100°F-450°F
	法式炉头	高
	砂锅燃烧器	高-低

## 红外烧烤炉

烧烤炉带有红外燃烧器，可将强热传递给食物，从而烤焦外部以锁住果汁。直接在烧烤炉炉排上烹调食物，而不使用炊具。烧烤炉后部7" (178)处的温度比表面的其余部分更低。该区域可用于保存食物，直至准备食用。

组装烧烤炉：

- 1 如要组装，请将烧烤炉框架放在灶台上。请参见下图。
- 2 将辐射板的插槽与框架的前角对齐。请参见下图。插槽应安装在前角之上并在烧烤炉框架上放平。
- 3 安装烧烤炉炉排。

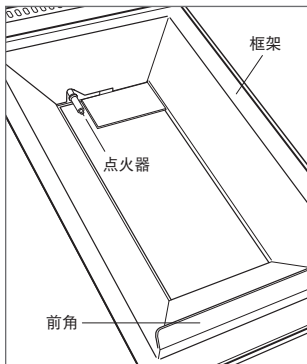
### ▲ 注意

应小心组装烧烤炉，以避免与点火器接触。

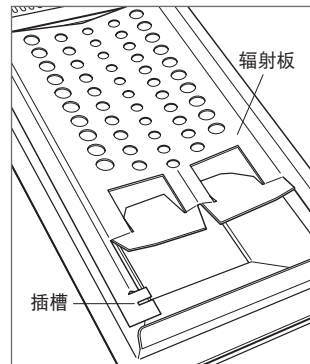
## 烧烤炉操作

操作前，应取下不锈钢盖。

- 1 打开通风。
- 2 按下并将控制旋钮逆时针旋转到Hi位置。点火器发出咔嚓声，直到点燃燃烧器。
- 3 允许烧烤炉预热10分钟。



烧烤炉框架



烧烤炉辐射板

## 红外烤盘

恒温控制烤盘以保持一致的温度。为了防止食物粘连，必须在使用前“风干”烤盘。

### 风干烤盘：

- 1 烤盘有一层保护涂层，必须在使用前除去。使用热水和温和的清洁剂除去涂层。冲洗并干燥。
- 2 打开通风。
- 3 按下并将控制旋钮逆时针旋转到350°F (175°C)，加热30分钟。30分钟后，将旋钮转到Off位置以使表面冷却。
- 4 当表面稍微温热时，将少量花生油或植物油倒在纸巾上并均匀铺开。
- 5 按下并将控制旋钮逆时针旋转到350°F (175°C)。加热直到烤盘开始冒烟，然后将旋钮转到Off并让表面冷却。冷却后，擦去多余的油。

### 烤盘操作

操作前，应取下不锈钢盖。

- 1 打开通风。
- 2 按下并将控制旋钮逆时针旋转到所需的温度。点火器发出咔嚓声，直到点燃燃烧器。双烤盘每侧均具有独立的控制。
- 3 旋钮上方的指示灯亮起，直至烤盘达到设定温度。由于需要更多的热量来维持设定温度，指示灯将循环开启和关闭。

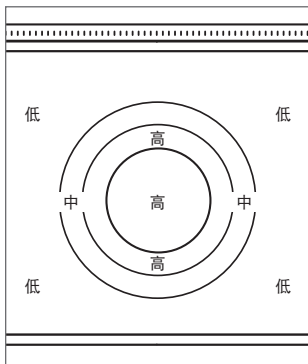
## 法式炉头

法式炉头是一个标有刻度的烹饪表面，在中心板下方具有最高的温度。应始终使用炊具，切勿直接在表面上烹饪食物。为获得较高的烹饪热量，请将炊具放在靠近中心的位置，为获得较低的热量，则靠近边缘。请参见下图。

为了保护表面免受食物飞溅和水分的影响，必须在使用前“风干”烤盘/铁板烧。

风干法式炉头：

- 1 法式炉头有一层保护涂层，必须在使用前除去。使用热水和温和的清洁剂除去涂层。冲洗并干燥。
- 2 打开通风。
- 3 按下并将控制旋钮逆时针旋转到Hi位置，加热30分钟。30分钟后，将旋钮转到Off位置以使表面冷却。
- 4 当表面稍微温热时，将少量花生油或植物油倒在纸巾上并均匀铺开。冷却后，擦去多余的油。



法式炉头加热区

## 法式炉头操作

操作前，应取下不锈钢盖。

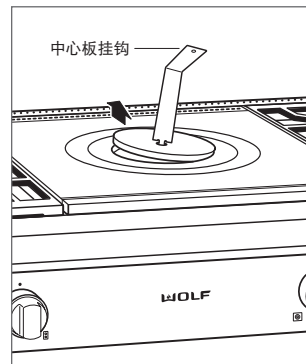
- 1 打开通风。
- 2 按下并将控制旋钮逆时针旋转到Hi位置。点火器发出咔嚓声，直到点燃燃烧器。
- 3 允许法式炉头预热30分钟。

### ▲ 注意

切勿将平底锅置于无人看管的高温区。在动植物油或动物油脂中烹调食物时要小心；油可能热到足以点燃的程度。

## 中心板

法式炉头燃烧器位于中心板下方。要取下，请使用中心板吊钩（灶台随附），如下图所示。烹饪时切勿取下中心板。



中心板拆除

### 砂锅燃烧器

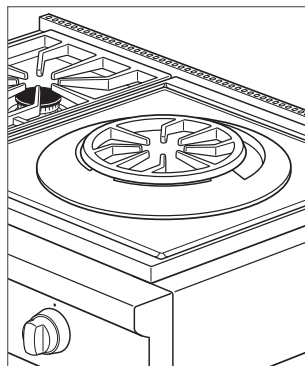
炒锅燃烧器有一个大型燃烧器，可将强热直接传递到炒锅，非常适合炒锅烹饪。要选择慢煮设置，请将控制旋钮转到最低设置。最小砂锅直径为14" (356)。 最大炒锅直径为18" (457)。

#### 砂锅燃烧器的操作

- 1 打开通风。
- 2 按下并将控制旋钮逆时针旋转到Hi位置。3-5秒后，点火器发出咔嚓声，直到燃烧器点亮。
- 3 一旦点燃，继续将旋钮逆时针旋转到所需的设置。

#### 砂锅燃烧器炉篋

砂锅燃烧器炉篋允许炒锅作为大型表面燃烧器，用于直径达14" (356)的平底锅。



砂锅燃烧器炉篋

### 保养建议

#### 清洁用品

不锈钢	使用非磨蚀性的不锈钢清洁剂和无绒软布进行清洁。为了产生自然光泽，先用蘸水的超细纤维布轻轻擦拭煎盘，然后使用打光麂皮擦干。始终沿着不锈钢的纹理方向擦拭。
燃烧器炉排	取出并放置在靠近水槽的平坦表面上。用热水和温和的洗涤剂或小苏打和水的混合物清洁。请勿浸入水中。用毛巾擦干。
燃烧器盘	清洁前清除表面碎屑，以帮助加快清洁过程，并减少清洁期间划伤表面的几率。使用温和的磨蚀性清洁剂或喷雾脱脂剂，清洁并冲洗表面并立即擦干以避免出现条纹。要清洁硬水渍，请使用白醋和水。冲洗并立即擦干。
表面燃烧器	使其冷却。使用温和的清洁剂或喷雾脱脂剂进行清洁。用水冲洗并用毛巾擦干。
烧烤炉	烹饪完成后，让烧烤炉保持开启10分钟。高火有助于烧除多余的食物残渣。冷却时，取出炉排并放在水槽中。盖上湿擦盘巾，并将热水倒在上面以帮助松动残留物。用肥皂和百洁布清洁。冲洗并干燥。
烤盘	每次使用后，将油脂刮入油脂收集盘。表面冷却后，请用纸巾擦拭，以除去多余的油脂或油。每次使用后，将少量花生油或植物油重新涂在纸巾上并均匀铺开。偶尔除去调味料。将 $\frac{1}{2}$ 杯(120 ml)温水和1茶匙(5 ml)烤盘清洁剂倒在烤盘上，并将残余物刮入油脂收集盘，然后倒空。干燥后，重新涂少量油调味。
法式炉头	每次使用后并且微温时，清洁整个表面。用温和的清洁剂和水擦拭。冲洗并干燥。每次使用后，将少量花生油或植物油重新涂在纸巾上并均匀铺开。偶尔除去调味料。微温时，在表面涂少量白醋和水。反复擦洗，直至除去多余的油为止。重新涂少量油调味。
砂锅环	用热水和温和的洗涤剂或小苏打和水的混合物清洁。用毛巾擦干。
控制旋钮 挡板	使用湿布，用温和的清洁剂或喷雾脱脂剂擦拭；冲洗并干燥。切勿放入洗碗机中。

### 故障排除

在联系Wolf工厂认证服务之前，请访问[subzero-wolf.com/assistance](http://subzero-wolf.com/assistance)或使用这些有用的提示来避免进行服务访问。

灶台不工作。

- 1 确认电源已打开。
- 2 确认已向炉顶供电，并且家用断路器已打开。
- 3 关闭断路器或电源上的设备30秒钟，然后打开设备电源。
- 4 确认供气截止阀处于打开位置。
- 5 请与Wolf工厂认证服务联系。请勿尝试维修维修范围。Wolf不对纠正错误的安装所需的服务负责。

燃烧器锅不均匀。

- 1 确认产品坐在水平平台上，并一直推回到开口处。
- 2 确认炉在炉盘上处于水平位置。
- 3 请与Wolf工厂认证服务联系。

火焰不稳定、点火不良或不点火。

- 1 确认燃烧器盖的位置正确无误。
- 2 正确清洁燃烧器和点火器。
- 3 如果水刚刚溢出，务必使区域完全干燥。如果需要，使用吹风机。
- 4 如果燃烧器盖固定到燃烧器头，请确认其连接牢固。
- 5 按入旋钮，然后释放。检查旋钮是否弹回。

烧烤炉持续发出咔嚓声。

- 1 确认旋钮完全设在Hi位置。

烤盘指示灯闪烁。

- 1 关闭旋钮，然后重新打开。火焰消失，设备进入安全锁定模式。

### 故障排除

#### 服务

- 与Wolf工厂认证的服务部门联系，以保证产品的内在质量。有关最近的Wolf工厂认证服务的名称，请查看我们网站的支持与服务部分wolfappliance.com的支持与服务部分，或致电Wolf客户服务，电话800-222-7820。
- 在联系服务部门时，您需要提供产品的型号和序列号。这两个编号都列在产品铭牌上。铭牌位置参见第6页。
- 出于质保目的，您还需要提供安装日期和经授权的Wolf经销商名称。此信息应记录在本指南的第3页中。

Sub-Zero、Sub-Zero & Design、Sub-Zero & Snowflake Design、Dual Refrigeration、The Living Kitchen、Great American Kitchens、The Fine Art of Kitchen Design、Wolf、Wolf & Design、Wolf Gourmet、W & Design、red colored knobs、Cove和Cove & Design均为Sub-Zero Group, Inc.及其子公司的注册商标和服务标记。所有其他商标均为其各自所有者在美国和其他国家（或地区）的财产。



## Wolf Appliance住宅有限质保

供住宅使用

### 两年质保\*

自最初安装之日起两年，在正常住宅使用的情况下，证明在材料或工艺方面存在缺陷的产品的任何部分的维修或更换的所有零部件和人工均包含在Wolf Appliance产品质保范围内。除非Wolf Appliance, Inc.另有规定，Wolf Appliance根据上述质保条款提供的所有服务必须由Wolf工厂认证的服务部门执行，我们将在正常营业时间内提供服务。

### 五年有限质保

从最初安装之日起五年内，Wolf Appliance将维修或更换以下在材料或工艺方面存在缺陷的部件：燃气燃烧器（不含外观）、电加热元件、鼓风机电机（通风罩）、电子控制板、磁控管和感应发电机。如果物主使用Wolf工厂认证的服务，该服务提供商将修理或更换这些部件，但物主需支付包括人工费在内的所有其他费用。如果物主使用非认证服务，则物主必须联络Wolf Appliance, Inc.（使用以下信息），以获得修理或更换用部件。Wolf Appliance不报销物主从非认证服务机构或其他来源购买的部件所产生的费用。

### 适用于每个质保的条款

质保仅适用于为正常住宅使用所安装的产品。质保仅适用于安装在美国50个州、哥伦比亚特区或加拿大10个省中任何一个州的产品。本质保不涵盖纠正因疏忽、意外或不当使用、维护、安装、维修或修理而导致的任何缺陷的所有零部件或人工费用。

上述任何担保的补救措施仅限于WOLF APPLIANCE, INC.将根据本担保或在法律运作引起的任何担保的情况下提供。WOLF APPLIANCE, INC.对于因违反本担保或任何其他明示、暗示或法定担保而引起的任何后果性或附带损害，概不负责。

某些州不允许排除或限制偶发或继发损害，因此上述限制或排除可能对您不适用。本质保赋予您特定的法律权利，您可能还拥有因州而异的其他合法权利。

要获得零件和/或服务以及离您最近的Wolf工厂认证服务的名称，请联系Wolf Appliance, Inc., P.O. Box 44848, Madison, WI 53744; 请访问我们网站的支持与服务部分wolfappliance.com的联系和支持部分，发送电子邮件至customerservice@subzero.com或致电800-222-7820。

\*有限的60天零件和人工质保涵盖不锈钢（门、面板、把手、产品框架和内表面）的外观缺陷。

\*通风罩再循环套件的更换过滤器不在产品质保范围内。





WOLF APPLIANCE, INC. P.O. BOX 44848 MADISON, WI 53744 WOLFAPPLIANCE.COM 800.222.7820

9032799 REV-B

8/2020

