

# 24-Inch Column Refrigerator



**DRR24980LAP/DA** — Panel ready, left hinge  
**DRR24980RAP/DA** — Panel ready, right hinge

## Features & Benefits

- SteelCool™ full stainless steel interior
- iQ Remote View™ cameras
- LED 3D Lighting
- Hidden Touch Control Panel with SmartThings Wi-Fi connectivity
- Push-to-Open Door
- FreshZone™ drawer
- Internal water dispenser
- R600a refrigerant
- Panel ready

## Weights & Dimensions

|  |                      |
|--|----------------------|
| <b>NET WEIGHT (LBS)</b>                            | 377                  |
| <b>SHIPPING WEIGHT (LBS)</b>                       | 490                  |
| <b>PRODUCT DIMENSIONS (W X H X D IN INCHES)</b>    | 23 3/4 x 83 3/8 x 25 |
| <b>FLUSH CUTOUT REQUIRED (W X H X D IN INCHES)</b> | 24 x 84 x 25         |

## Technical Details

|                                |                  |
|--------------------------------|------------------|
| <b>ELECTRICAL REQUIREMENTS</b> | 115V, 60 Hz, 15A |
|--------------------------------|------------------|

## Warranty

|  |          |
|--|----------|
| <b>FULL COVERAGE</b>                                   | 2 years  |
| <b>SEALED SYSTEM, PARTS &amp; LABOR</b>                | 6 years  |
| <b>SEALED SYSTEM, PARTS ONLY (COMPRESSOR INCLUDED)</b> | 10 years |

## Controls

|                            |                               |
|----------------------------|-------------------------------|
| <b>CONTROL TYPE</b>        | Easy reach hidden Glass-Touch |
| <b>WI-FI + SMARTTHINGS</b> | Yes                           |
| <b>SABBATH MODE</b>        | Yes                           |

## Features

|                                    |  |
|------------------------------------|--|
| <b>TOTAL CAPACITY (CU. FT.)</b>    | 13.7                                       |
| <b>PUSH-TO-OPEN</b>                | Yes  |
| <b>WATER DISPENSER</b>             | Internal water dispenser                   |
| <b>iQ REMOTE VIEW™ CAMERA</b>      | Yes  |
| <b>DEODORIZING FILTER</b>          | Yes  |
| <b>LED LIGHTING</b>                | 3D Lighting                                |
| <b>INTERIOR MATERIAL</b>           | SteelCool™<br>(Full stainless steel walls) |
| <b>DIGITAL INVERTER COMPRESSOR</b> | Yes  |
| <b>REFRIGERANT</b>                 | R600a                                      |
| <b>CRISPER DRAWERS</b>             | 2  |
| <b>DOOR BINS</b>                   | 4  |
| <b>SHELVES</b>                     | 4  |
| <b>DOOR ALARM</b>                  | Yes  |

## Refrigerator

|   |                  |
|---|------------------|
| <b>REFRIGERATOR CAPACITY (CU. FT.)</b>              | 13.7             |
| <b>REFRIGERATOR TEMPERATURE</b>                     | 34°F to 44°F     |
| <b>FRESHZONE™ DRAWER TEMPERATURE</b>                | 29°F, 33°F, 37°F |
| <b>DEDICATED EVAPORATOR &amp; COMPRESSOR SYSTEM</b> | Yes              |
| <b>POWER COOL</b>                                   | Yes              |
| <b>FRESHZONE™ DRAWER</b>                            | Yes              |

## Accessories (Optional)

Please see page 12 of Reference Guide for a full list of accessories

|                        |  |
|------------------------|--|
| <b>RAC24AMLHSR/DA</b>  | 24" panel kit, Silver Stainless, left              |
| <b>RAC24AMRHSR/DA</b>  | 24" panel kit, Silver Stainless, right             |
| <b>RAC24AMLHMS/DA</b>  | 24" panel kit, Graphite Stainless, left            |
| <b>RAC24AMRHMS/DA</b>  | 24" panel kit, Graphite Stainless, right           |
| <b>RACOOWFAAAA/DA</b>  | Water filter for refrigeration                     |
| <b>RACOODFAAAA/DA</b>  | Air filter for refrigeration DRF/DRR/DRW, set of 6 |
| <b>RACOOTCAAAA</b>     | Install kit for triple built-in refrigeration      |
| <b>RACOOCFAAAA/DA*</b> | Install kit to pair built-in refrigeration         |

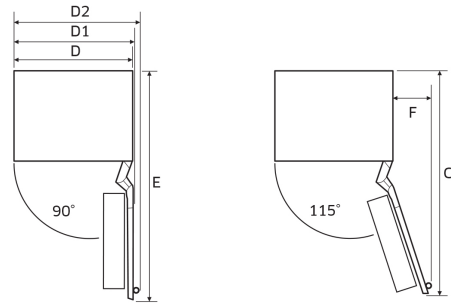
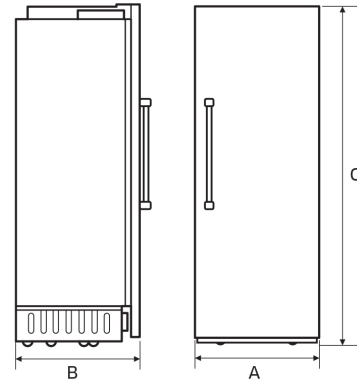
\*2x needed for triple install.

# 24-Inch Column Refrigerator



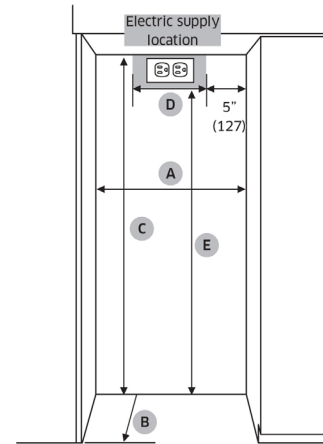
## Product Dimensions

|   |                 |
|---|-----------------|
| <b>A - WIDTH (IN/MM)</b>                  | 23 3/4 / 603    |
| <b>B - WIDTH PANEL (IN/MM)</b>            | 25 / 635        |
| <b>C - HEIGHT (IN/MM)</b>                 | 83 3/8 / 218    |
| <b>D - (IN/MM)</b>                        | 23 5/8 / 600    |
| <b>D1 - WITH PANEL (IN/MM)</b>            | 24 7/8 / 631    |
| <b>D2 - WITH MODERNIST HANDLE (IN/MM)</b> | 26 3/4 / 680    |
| <b>E - (IN/MM)</b>                        | 50 3/4 / 1289   |
| <b>F - (IN/MM)</b>                        | 13 11/16 / 348  |
| <b>G - (IN/MM)</b>                        | 49 11/16 / 1261 |



## Installation Cutout Dimensions

|                           |            |
|---------------------------|------------|
| <b>A - WIDTH (IN/MM)</b>  | 24 / 609.6 |
| <b>B - DEPTH (IN/MM)</b>  | 25 / 635   |
| <b>C - HEIGHT (IN/MM)</b> | 84 / 2134  |
| <b>D - (IN/MM)</b>        | 14 / 356   |
| <b>E - (IN/MM)</b>        | 80 / 2032  |



## Water Supply Connection Requirements

|                    |             |
|--------------------|-------------|
| <b>A - (IN/MM)</b> | 5 1/2 / 140 |
|--------------------|-------------|

