








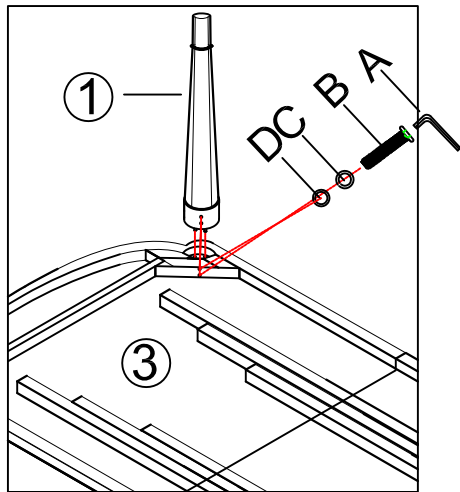
Thank you for purchasing this quality product. Be sure to unpack carefully looking for small parts which may have come loose during shipment.

Read all instruction and study the drawing carefully before starting the assembly process.

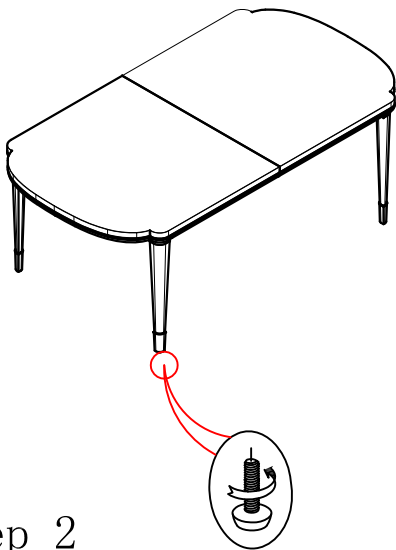
PART LIST

NO	DRAWING	DESCRIPTION	SIZE	Q' ty	NO.	DRAWING	DESCRIPTION	Q' TY
A		Allen Wrench	73*29*5mm	1pc	①		Leg	4PCS
B		Bolt	ø5/16*100mm	8pcs	②		Leaf	1PC
C		Lock Washer	ø5/16"	8pcs	③		Table Top	1PC
D		Flat Washer	ø5/16"	8pcs				

Step 1

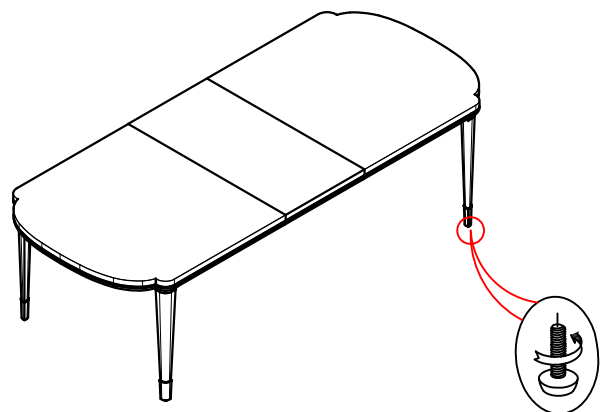


Step 1: Attach legs (1) to table top (3) with bolts (B), lock washers (C) and flat washers (D), secure bolts (B) with allen wrench (A).



Step 2

Adjust Leveler if needed to level table on uneven floor.



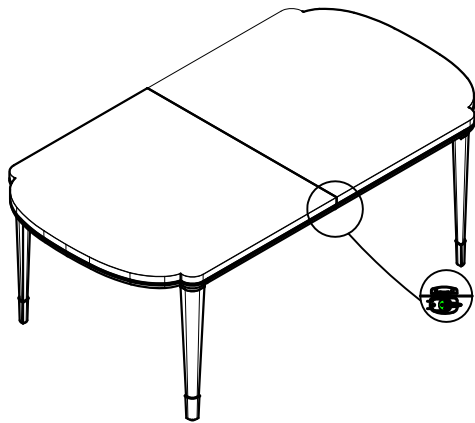
Step 2

Adjust Leveler if needed to level table on uneven floor.

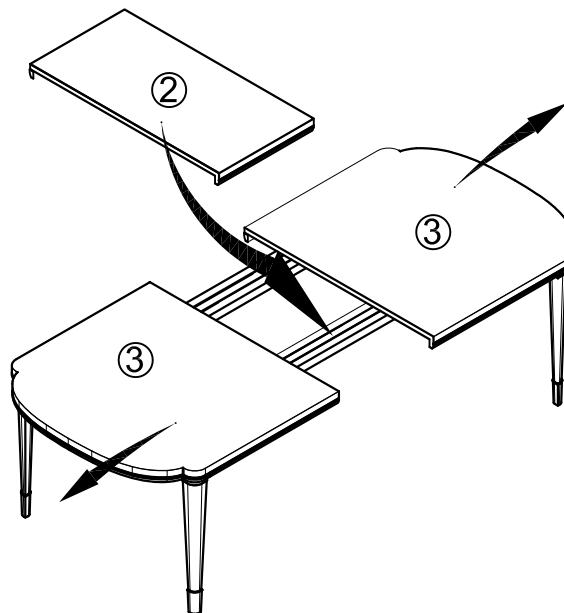
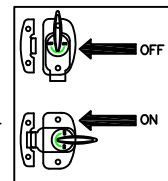
Thank you for purchasing this quality product. Be sure to unpack carefully looking for small parts which may have come loose during shipment.

Read all instruction and study the drawing carefully before starting the assembly process.

Instruction for table leaves:



Step 1: Unlock the latches at the bottom of table top.



Step 2: Pull out both ends of table top as the arrow direction, place the leaves (2) between and push them together, lock the latches.

Note: Take opposite steps to remove table leaves.