

FISHER & PAYKEL

DOWNDRAFT INDUCTION COOKTOP



MINIMAL

CID364DTB4

INSTALLATION GUIDE

US CA

⚠ WARNING!



Electric Shock Hazard

Failure to follow this advice may result in electric shock or death.

- Disconnect the appliance from the mains electricity supply before carrying out any work or maintenance.
- Connection to a good earth wiring system is essential and mandatory.
- Alterations to the domestic wiring system must only be made by a qualified electrician.

⚠ WARNING!



Cut Hazard

Failure to use caution could result in injury.

- Take care: some edges are sharp.

WARNING!

To prevent overheating of the electronic components adequate supply of cool air and direct unrestricted ventilation to the room is required. A gap of min. 3/16" 4mm height over the width of the cooktop chassis is required to allow the internal ventilators operating unrestricted. (Refer to 'Clearances').

READ AND SAVE THIS GUIDE

General Use

- Read these instructions carefully before installing this product.
- **WARNING: TO REDUCE THE RISK OF FIRE, USE ONLY METAL DUCTWORK.**
- Installation must comply with your local building and local electricity regulations.
- Electrical installation (including electrical grounding) must be done in accordance with the National Electrical Code, ANSI/NFPA70 - latest edition and/or local codes. In Canada: Electrical installation must be in accordance with the current CSA C22.1 Canadian Electrical Codes Part 1 and/or local codes. Particular attention shall be given to the relevant requirements regarding ventilation.
- This appliance is to be installed and serviced only by Fisher & Paykel trained and supported service technician or qualified person.
- The manufacturer accepts no responsibility for the incorrect installation of appliances. Incorrect installation may result in personal injury, damage to property and may invalidate any warranty or liability claims.
- Do not modify this appliance.
- Do not use or store flammable materials on or near this appliance.
- Packing elements (eg plastic bags, polystyrene foam, staples, packing straps etc) and tools should not be left around during and after installation, especially if they are within easy reach of children, as these may cause serious injuries.
- Make sure you recycle the packaging material.
- Before disposing of any appliance, make sure that it can no longer be used and that all hazardous parts are removed or made harmless, so that children playing with the old appliance cannot harm themselves.
- Only genuine replacement parts may be used for servicing the appliance. These are available from your nearest Fisher & Paykel Service Center.
- This cooktop must be connected to the mains power supply only by a suitably qualified person.
- To eliminate the risk of burns or fire by reaching over heated surface units, cabinet storage space located above the surface units should be avoided.
- **DO NOT** use adapters, reducers, or branching devices when connecting the cooktop to the mains power supply to prevent overheating and fire.
- The power supply cable must not touch any hot parts and must be positioned so that its temperature will not exceed 165°F (75°C) at any point.
- **CAUTION :** To reduce risk of fire and to properly exhaust air, be sure to duct air outside - Do not vent exhaust air into spaces within walls or ceilings or into attics, crawl spaces, or garages.
- The discharge air is to be directed to the building exterior.
- **WARNING - TO REDUCE THE RISK OF FIRE, ELECTRIC SHOCK, OR INJURY TO PERSONS, OBSERVE THE FOLLOWING:**
- **a)** Installation work and electrical wiring must be done by qualified person(s) in accordance with all applicable codes and standards, including fire-rated construction.
- **b)** Ducted fans must always be vented to the outdoors. To eliminate the risk of burns or fire by reaching over heated surface units, cabinet storage space located above the surface units should be avoided.
- To eliminate the risk of burns or fire by reaching over heated surface units, cabinet storage space located above the surface units should be avoided. If cabinet storage is to be provided, the risk can be reduced by installing a non-combustible fixture that projects horizontally a minimum of 5" (127mm) beyond the bottom of the cabinets.

IMPORTANT - SAVE FOR THE LOCAL ELECTRICAL INSPECTOR'S USE

The models shown in this installation guide may not be available in all markets and are subject to change at any time. For current details about model and specification availability in your country, please go to our website www.fisherpaykel.com or contact your local Fisher & Paykel dealer.

INSTALLATION CONSIDERATIONS

BEFORE INSTALLATION

Please ensure the following:

- A suitable disconnection switch is incorporated in the permanent wiring, mounted and positioned to comply with the local wiring rules and regulations. A means of disconnection with at least a 3mm air gap contact separation in all poles must be incorporated into the fixed wiring in accordance with the wiring rules, unless the local wiring rules allow for alternative means.
- The benchtop is made of a heat resistant material.
- There is adequate flow of cool air from the cabinetry to the base of the cooktop. You may ventilate from adjacent cupboards, but ensure that the available air supply will not be restricted.
- The ventilation area must be equivalent to 6 3/16in² (40cm²) Refer to 'Clearances'.
- The exhaust air should not be vented into a wall, a ceiling, or a concealed space of a building
- The power supply cable is not accessible through cupboard doors or drawers.
- The isolating switch is easily accessible by the customer.
- You use heat-resistant and easy-to-clean finishes (such as ceramic tiles) for the wall surfaces surrounding the cooktop.
- The cooktop will not be installed directly above a dishwasher, fridge, freezer, steam oven, washing machine or clothes dryer, as the humidity may damage the cooktop electronics.
- The installation will comply with all regulations relating to the discharge of air, clearance requirements and other applicable standards and regulations.
- You consult local building authorities and by-laws if in doubt regarding installation.
- The installation will comply with all regulations relating to the discharge of air.

DURING INSTALLATION

Please ensure the following:

- Flush mounting or sealing this appliance into the bench with silicone or glue may make future servicing difficult. Fisher & Paykel will not be liable for any costs associated with removing or replacing a sealed-in appliance, nor for repairing any damage that may be incurred by doing this.
- Seal exposed bare edges of the cutout with an oil-based paint or moisture-proof polyurethane to prevent possible moisture creeping between the cooktop trim and the benchtop.
- Take extreme care not to chip, crack, or break the top glass surfaces during installation. A heavy metal tool or part accidentally dropped on the glass could damage it.
- If, after following the instructions given, correct performance cannot be achieved, please contact your nearest Fisher & Paykel Authorised Service Centre, Customer Care, or contact us through our local website listed at the end of this document.

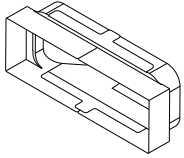
WARNING!

The owner carries all risk for flush mounting the cooktop. The owner must ensure the cooktop has been cut out from the countertop before servicing can be carried out. Fisher & Paykel will not be liable for any costs associated with removing or replacing a flush-mounted and/or sealed-in product, nor for repairing any damage that may be incurred by doing this.

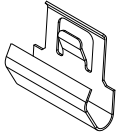
TOOLS AND COMPONENTS

PARTS SUPPLIED

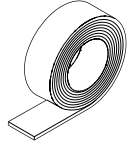
- Keep all packing materials until the unit has been inspected.
- Inspect the product to ensure there is no shipping damage. If any damage is detected contact the dealer or retailer you bought the product from to report the damage.
- Fisher & Paykel is not responsible for shipping damage.



10 x 3.25" sheet metal adapter

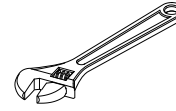


Side clips (4)

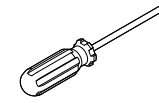


Foam tape (1)

TOOLS REQUIRED



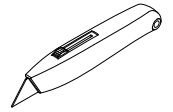
Wrench



Crosshead screwdriver



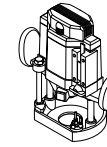
Silicone



Cutter



Hex key

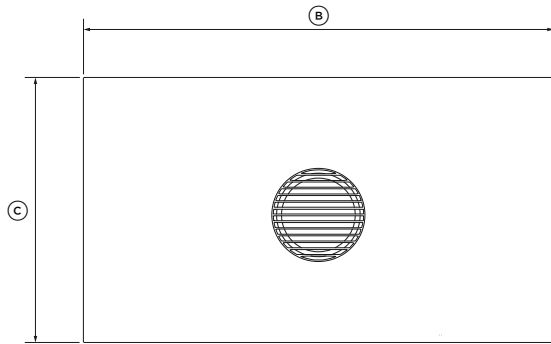


Router

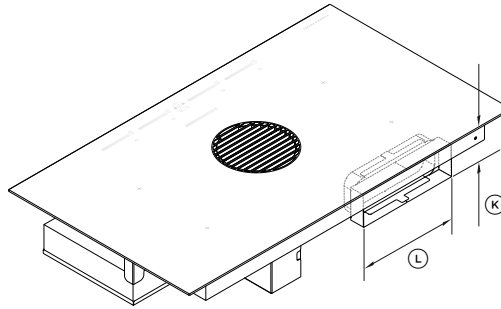


Duct tape

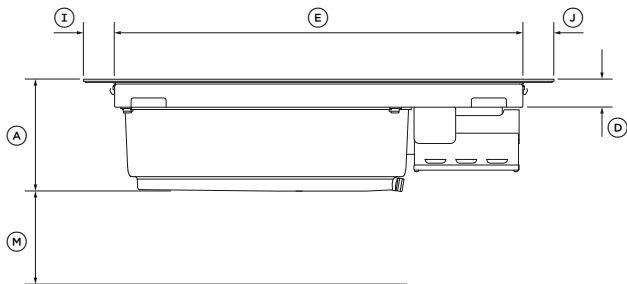
PRODUCT DIMENSIONS



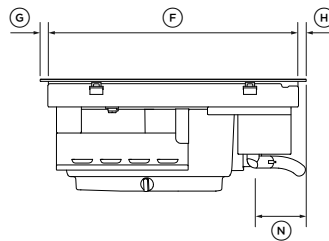
PLAN



ISOMETRIC: REAR



FRONT



PROFILE

PRODUCT DIMENSIONS	INCHES	MM
Ⓐ Overall height of cooktop	8 9/16	217
Ⓑ Overall width of cooktop	36	915
Ⓒ Overall depth of cooktop	20 1/4	515
Ⓓ Height of chassis	1 7/8	48
Ⓔ Width of chassis	31 1/4	793
Ⓕ Depth of chassis	19 3/16	488
Ⓖ Depth of front overhang of cooktop glass*	9/16	14
Ⓗ Depth of rear overhang of cooktop glass*	9/16	14
Ⓘ Depth of left overhang of cooktop glass*	2 3/8	61
Ⓙ Depth of right overhang of cooktop glass*	2 3/8	61
Ⓚ Height of venting outlet	3 1/8	80
Ⓛ Width of venting outlet	9 13/16	250
Ⓜ Minimum clearance below cooktop	15 3/4	400
Ⓝ Depth from rear of cooktop to centre of power cord	4 1/16	103
Not illustrated: Width from right of cooktop to centre of terminal block	11 5/8	296

**Including flange

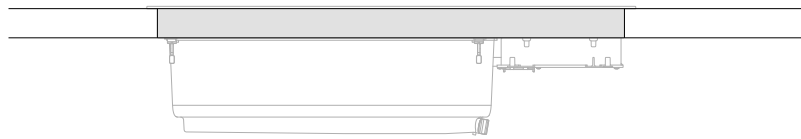
Actual product dimensions may vary by ± 2mm

CUTOUT

PROUD INSTALLATION



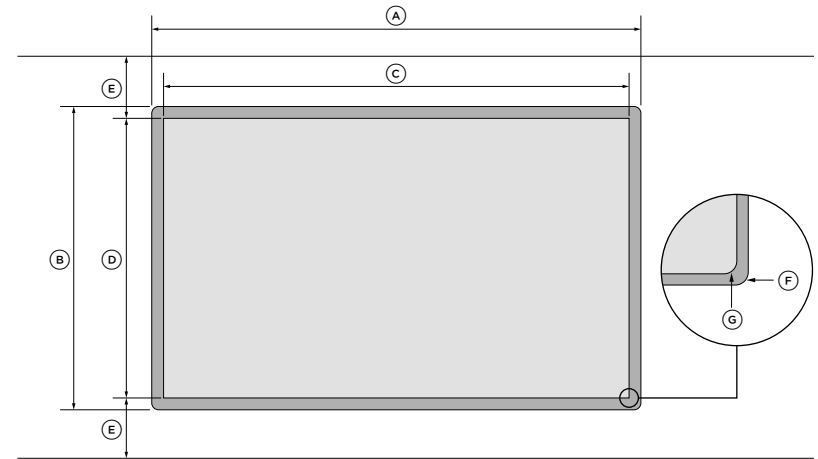
PLAN



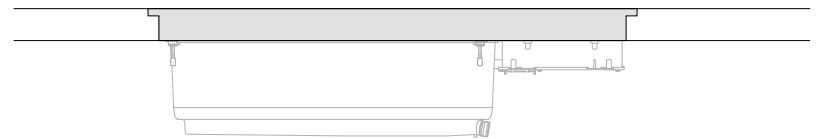
FRONT

CUTOUT DIMENSIONS	INCHES	MM
Ⓐ Overall width of cutout	31 3/4	807
Ⓑ Overall depth of cutout	19 3/8	492
Ⓒ Minimum depth at rear	2	50
Ⓓ Corner radius of cutout	max 3/8	max 10

FLUSH INSTALLATION



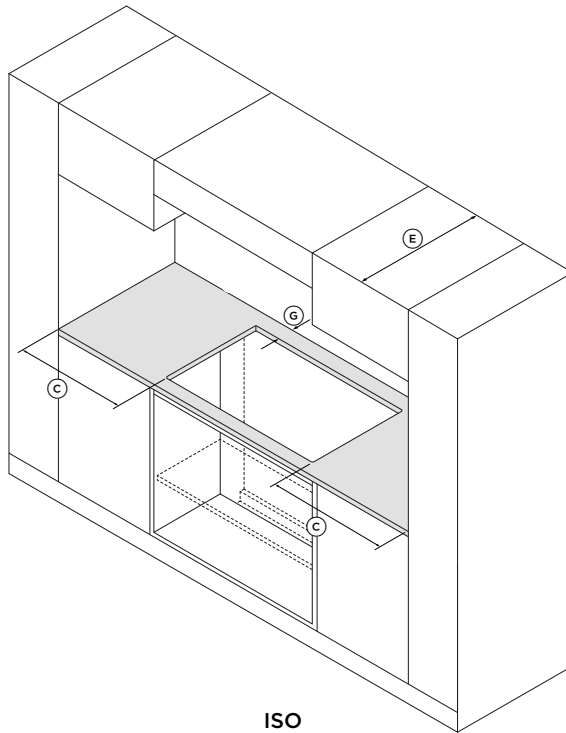
PLAN



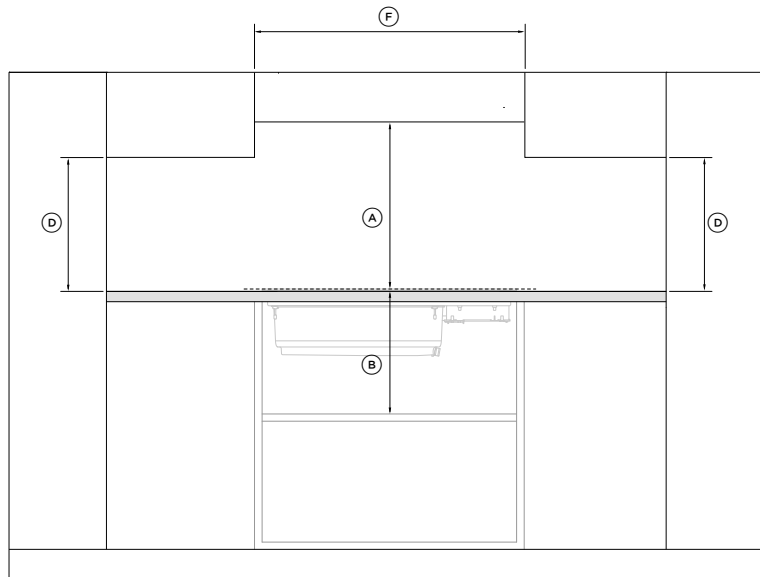
FRONT

CUTOUT DIMENSIONS	INCHES	MM
Ⓐ Overall width of routed recess	32 7/8	835
Ⓑ Overall depth of routed recess	20 1/2	520
Ⓒ Overall width of cutout	31 3/4	807
Ⓓ Overall depth of cutout	19 3/8	492
Ⓔ Minimum depth at rear	2	50
Ⓕ Corner radius of routed recess	3/16	4.5
Ⓖ Corner radius of cutout	max 3/8	max 10

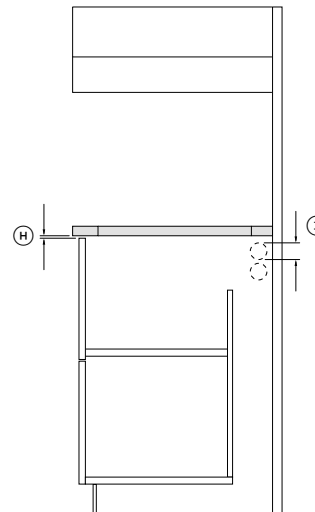
CLEARANCES



ISO



FRONT



PROFILE: CROSS SECTION

CLEARANCE DIMENSIONS	INCHES	MM
(A) Minimum clearance from cook surface to: <ul style="list-style-type: none"> • Unprotected overhead cabinet centered above cooktop** • Protected overhead cabinet centered above cooktop** 	30 24	762 610
(B) Minimum clearance below countertop**	16 5/16	415
(C) Minimum clearance from side of cutout to nearest adjacent combustible surface	15 3/4	40
Minimum clearance from countertop to overhead cabinet (not directly above cooktop)	24	610
(D) Maximum depth of overhead cabinetry	13	330
(E) Minimum distance between overhead cabinets (centred above cooktop)	32 11/16	830
(F) Minimum clearance from rear of cutout	2	50
<ul style="list-style-type: none"> • Minimum clearance from rear of cooktop 	1 9/16	39
(G) Minimum ventilation gap at the front of the cooktop	2	50
(H) Minimum diameter of ventilation holes equivalent to 6 3/16in ² (40cm ²)		

* Combustible surface definition: any materials of a building structure or decorative structure made of wood, compressed paper, plant fibres, vinyl/plastic or other materials that are capable of transferring heat or being ignited and burned. Such material shall be considered combustible even though flame-proofed, fire-retardant treated or surface-painted, or plastered.

†(A) = 30" (762mm) minimum clearance between the top of the cooking surface and the bottom of an unprotected wood or metal cabinet; or (A) = 24" (610mm) minimum when bottom of wood or metal cabinet is protected by not less than 1/4"-thick flame-retardant millboard covered with not less than No. 28 MSG sheet steel, 0.015"-thick stainless steel, 0.024"-thick aluminum, or 0.020"-thick copper.

** From underside of cooktop glass. Required for cleaning access.

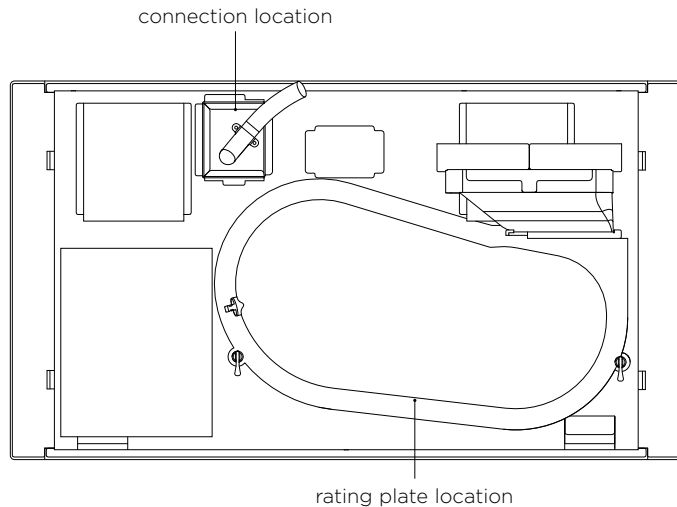
ELECTRICAL CONNECTION

CONNECTION LOCATION

Before connecting the cooktop to the mains power supply check that:

- The domestic wiring system is suitable for the power drawn by the cooktop.
- The voltage corresponds to the value given in the rating plate.
- The power supply cable sections can withstand the load specified on the rating plate.

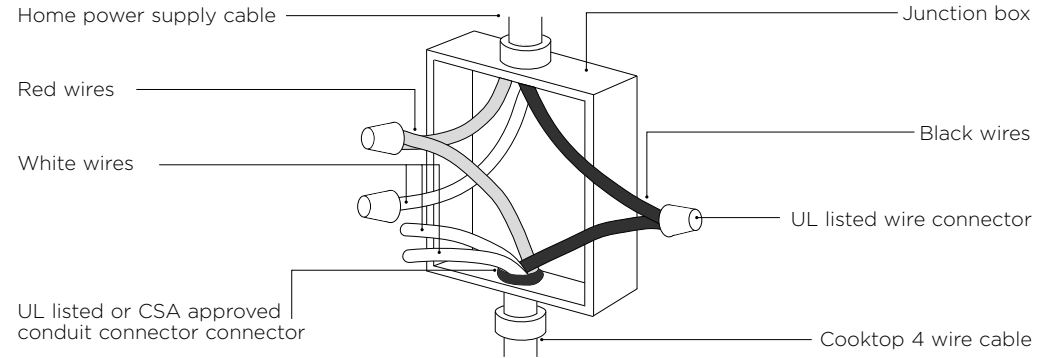
CONNECTION	MAX. CURRENT DRAW	MAX. LOAD	VOLTAGE
3 Wire	32A	7800W	120/240 V
4 Wire	34A	7100W	120/208 V



BASE

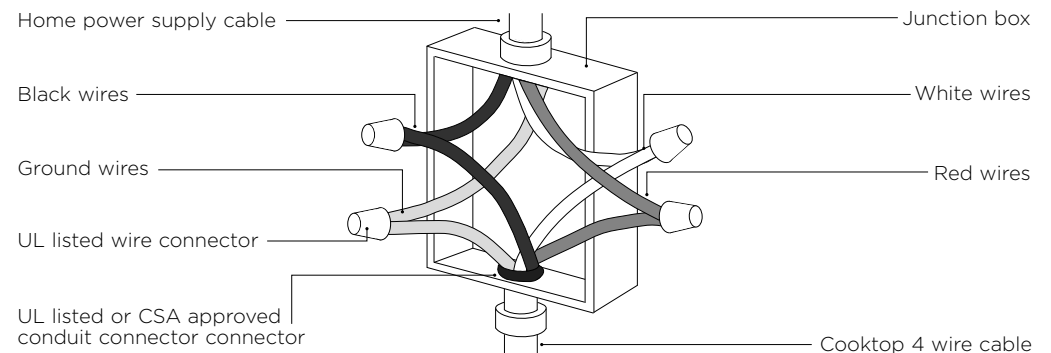
3 WIRE CONNECTION

- Using UL listed wire connectors, connect the 2 black wires together and the 2 red wires together. Connect the green (or yellow-green) and white cooktop cables to the white (neutral) wire in the junction box using the UL listed wire connectors
- Install junction box cover.



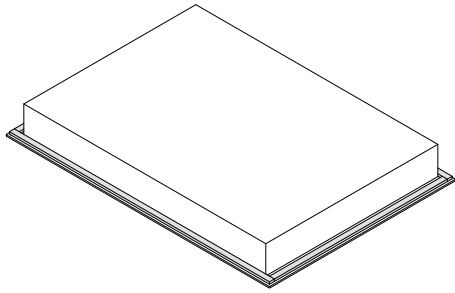
4 WIRE CONNECTION

- Using UL listed wire connectors, connect the 2 black wires together, the 2 red wires together and the 2 white wires together. Connect the green (or yellow-green) ground wire from the cooktop cable to the green (or yellow-green) ground wire in the junction box using UL listed wire connectors.
- Install junction box cover.



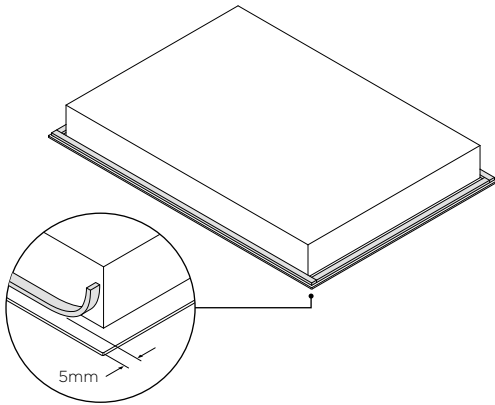
PROUD INSTALLATION

1



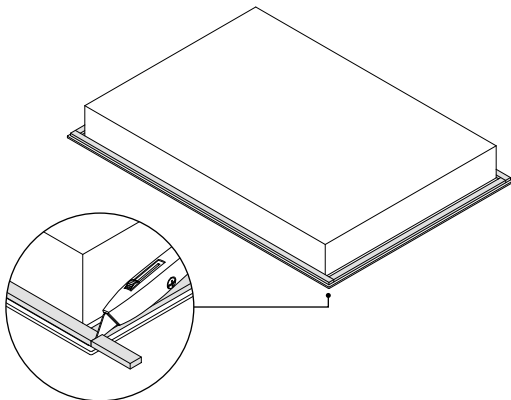
Turn the cooktop upside down on a protective cover.

2



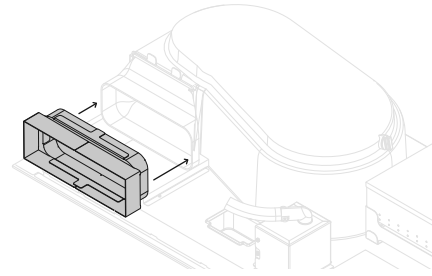
Apply adhesive foam seal around the glass overhang, 5mm from the edge of the glass.
Ensure the adhesive side facing is down to form a continuous seal around the cooktop.

3



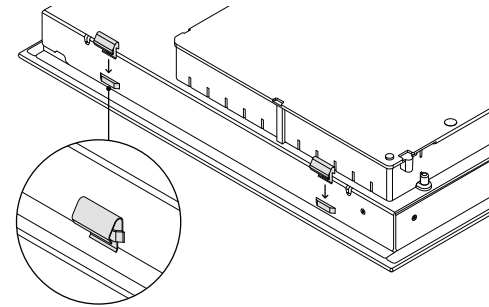
Trim the excess sealing material using a sharp cutter or trimmer knife.
Take care not to damage the benchtop.

4



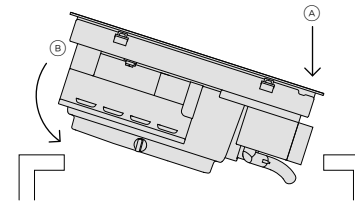
Slot the supplied metal adapter to the rear of the cooktop.

5



Attach the four side clips to the cooktop chassis.
Ensure the clips are oriented correctly.

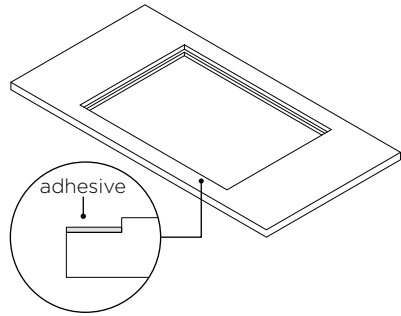
6



Align any ducting to the outlet on the cooktop before lowering it into the cutout.
Tape ducting to secure.

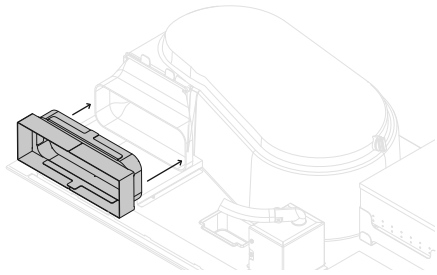
INSTALL COOKTOP - FLUSH

1



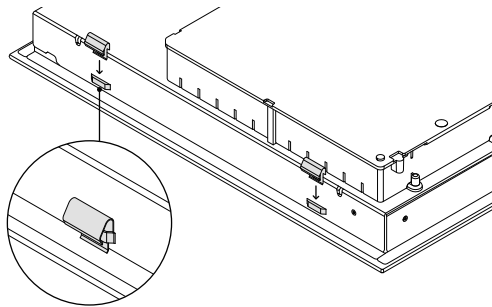
Prepare the countertop for flush installation. Use a router to cutout the edges of the countertop to specified depth (5mm). Ensure all bare edges are sealed. Refer to 'Installation Considerations'. Attach an adhesive tape along the edges of the routed recess.

2



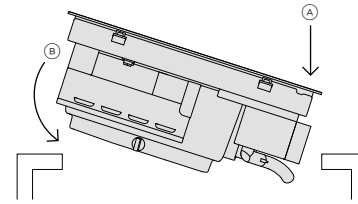
Slot the supplied metal adapter to the rear of the cooktop.

3



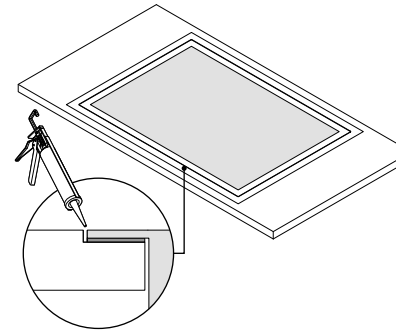
Attach the four side clips to the cooktop chassis. Ensure the clips are oriented correctly.

4



Align any ducting to the outlet on the cooktop before lowering it into the cutout. Tape ducting to secure.

5



Apply silicone in the gap between countertop and cooktop. Wipe off any excess silicone.

INSTALLER CHECKLIST

TO BE COMPLETED BY THE INSTALLER

GENERAL

- Read safety and warnings in the user guide before operating the cooktop.
- Specified clearance maintained.
- Unit is level - front to back and side to side.
- All packaging materials have been removed.
- Touch controls and displays are functioning.
- Cooking zones are functioning correctly. Turn on all of them to a high setting and leave them on for at least one minute.
- There is a constant flow of cool air from the cabinetry to the base of the cooktop.
- Cooktop is securely clamped.
- Basic operation has been demonstrated to the customer.

VENTILATION

- Ensure any ducting components are secure.
- Check outlets are clear and not obstructed.

ELECTRICAL

- Correct Rated Over-current protection is provided.
- Adequate ground connection.
- Power supply cable is not touching the cooktop and accessible.

Complete and keep for safe reference:

Model _____

Serial No. _____

Purchase Date _____

Purchaser _____

Dealer Address _____

Installer's Name _____

Installer's Signature _____

Installation Company _____

Installation Date _____

FISHERPAYKEL.COM

© Fisher & Paykel Appliances 2021. All rights reserved.

The models shown in this guide may not be available in all markets
and are subject to change at any time.

The product specifications in this guide apply to the specific products and
models described at the date of issue. Under our policy of continuous product
improvement, these specifications may change at any time.

For current details about model and specification availability in your country,
please go to our website or contact your local Fisher & Paykel dealer.

592357A 06.21