
BERTAZZONI PROFESSIONAL SERIES

30" VISOR HOOD

KTV30XV

HIGHLIGHTS

- Telescopic extension range hood visor
- Max telescopic extension 7"
- 600 CFM blower
- Electronic 3 speed setting control
- 2 LED lights for excellent cooking surface illumination
- Aluminum mesh filter (dishwasher safe) for capture of smoke and grease

FEATURES

Hood finishing	trim and telescopic visor
Motor	1
Interface	slider
Lights	2 LED
Filters	aluminum mesh
Max extraction power	600 CFM
Distance from the worktop	30"

TECHNICAL SPECIFICATIONS

Electrical Requirements	120 V 60 Hz
Certification	UL-CSA
Warranty	2 years parts and labor

ACCESSORIES

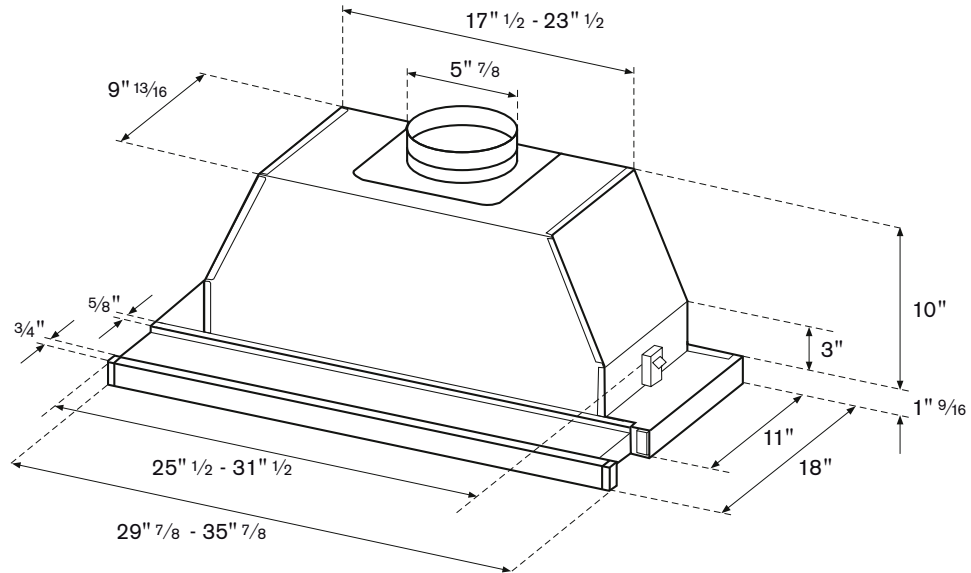
Charcoal filters	901531
Durable charcoal filters	901532



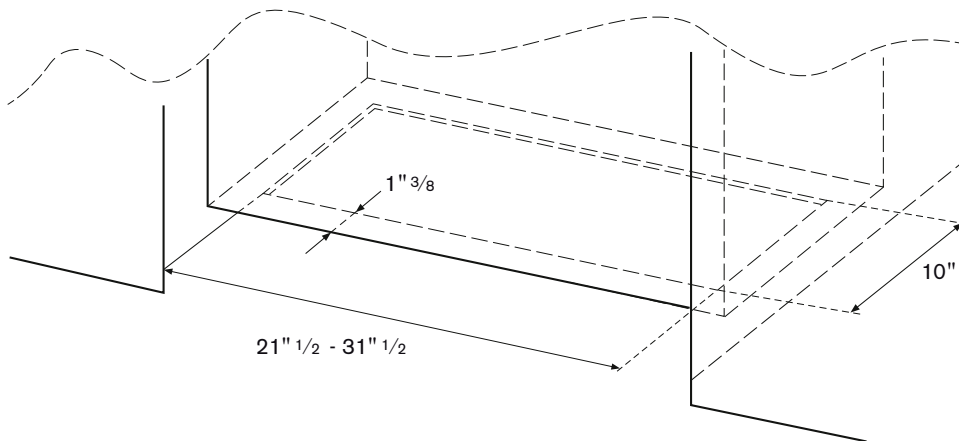
TO COOK BEAUTIFULLY
WWW.BERTAZZONI.COM

INSTALLATION INSTRUCTIONS

KTV30XV



CUT-OUT DIMENSIONS



Bertazzoni recommends to operate the appliance after it has been properly installed. Please refer to the installation manual for further details.

Disclaimer: while every effort has been made to insure the accuracy of the information contained in this brochure, Fratelli Bertazzoni reserves the right to change any part of the information at any time without notice.

Fratelli Bertazzoni, Bertazzoni and the winged wheel brand icon are registered trademarks of Bertazzoni Spa.