

# CG76WOK-F

30" (76cm) Gas Cooktop



Porter & Charles special gas burner design produces a clean and perfect flame. They come in a range of sizes and BTU's for cooking flexibility and precision. With the UltraFlat stainless steel design, these cooktops will integrate beautifully into any kitchen design.



## COOKTOP FEATURES

- 5 high quality gas burners
- Continuous cast iron support grates
- Cast iron wok support ring
- UltraFlush stainless steel design
- Ergonomically placed control knobs
- Electronic ignition
- Flame failure safety system
- Shallow depth allows for easy install over drawers or an oven

## COOKTOP PERFORMANCE

- 1 x double ring wok burner – 17,500 BTU
- 1 x rapid burner – 11,500 BTU
- 2 x semi-rapid burner – 8,000 BTU
- 1 x true simmer burner – 5,000 BTU down to 600 BTU

## ELECTRICAL REQUIREMENTS

- 115 volt, 60Hz, 15 amp
- Supplied with 5ft electrical cord and plug

## GAS CONNECTIONS & FITTINGS

- Porter & Charles gas cooktops require a 1/2" gas inlet and outlet fittings

## COOKTOP DIMENSIONS (Inch/mm)

- D: 20<sup>1/16"</sup> • W: 29<sup>3/8"</sup>
- D: 509mm • W: 746mm

## CUT OUT DIMENSIONS (Inch/mm)

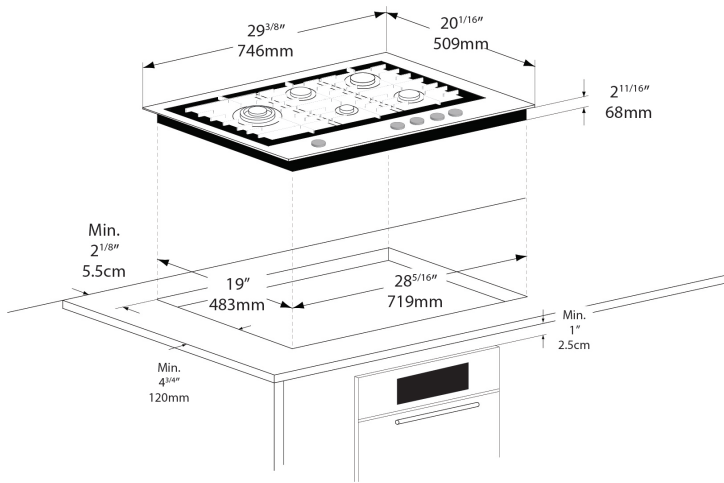
- D: 19" • W: 28<sup>5/16"</sup>
- D: 483mm • W: 719mm

# CG76WOK-F

## SPECIFICATIONS



### DIMENSIONS



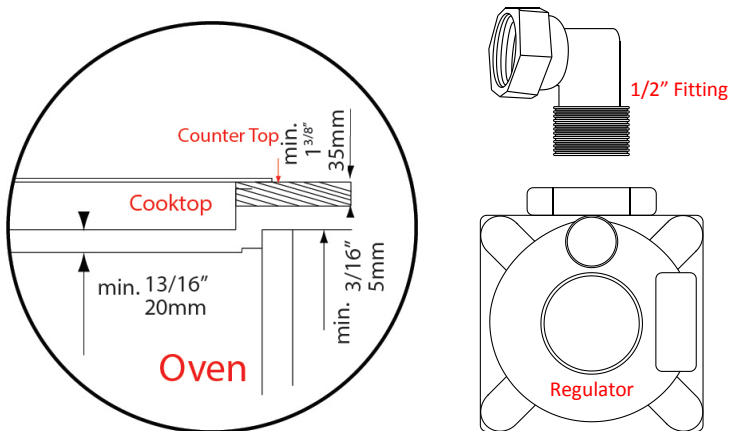
### COOKTOP DIMENSIONS (Inch/mm)

- D: 20<sup>1/16</sup>" • W: 29<sup>3/8</sup>"
- D: 509mm • W: 746mm

### CUT OUT DIMENSIONS (Inch/mm)

- D: 19" • W: 28<sup>5/16</sup>"
- D: 483mm • W: 719mm

### SIDE VIEW



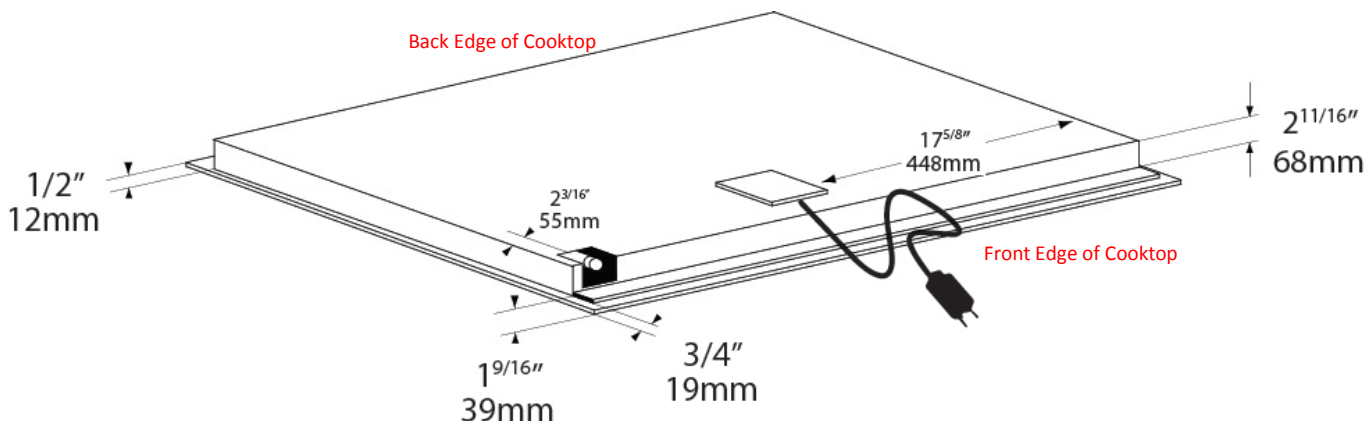
### INSTALLING OVER BUILT-IN OVEN

- There must be a minimum of 20mm (13/16") of space left between the bottom of the cooktop and the oven to allow air to flow.
- There must be a minimum of 5mm (3/16") of space left between the counter top and the door panel of a built-in oven / drawer.
- If insufficient air flow is provided, the life of the appliance will be shortened.

### GAS HOOKUP FITTINGS

- PORTER&CHARLES gas cooktops requires a 1/2" gas inlet and outlet fittings.

### UNDERSIDE VIEW

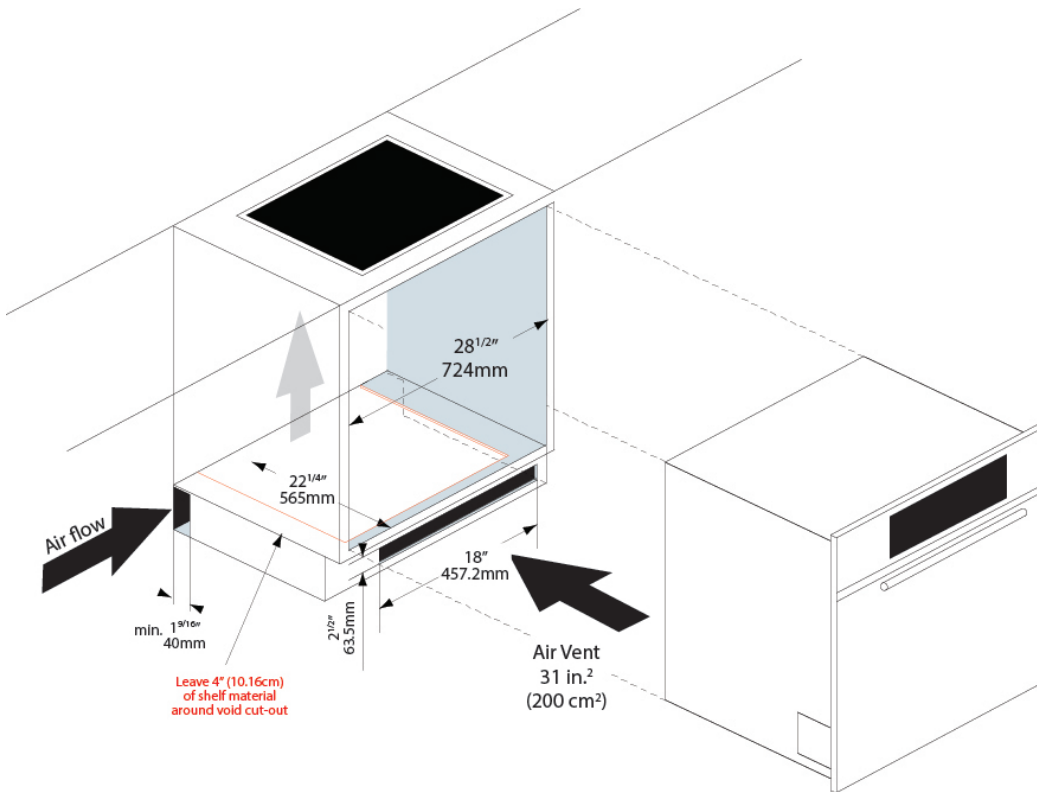


# CG76WOK-F

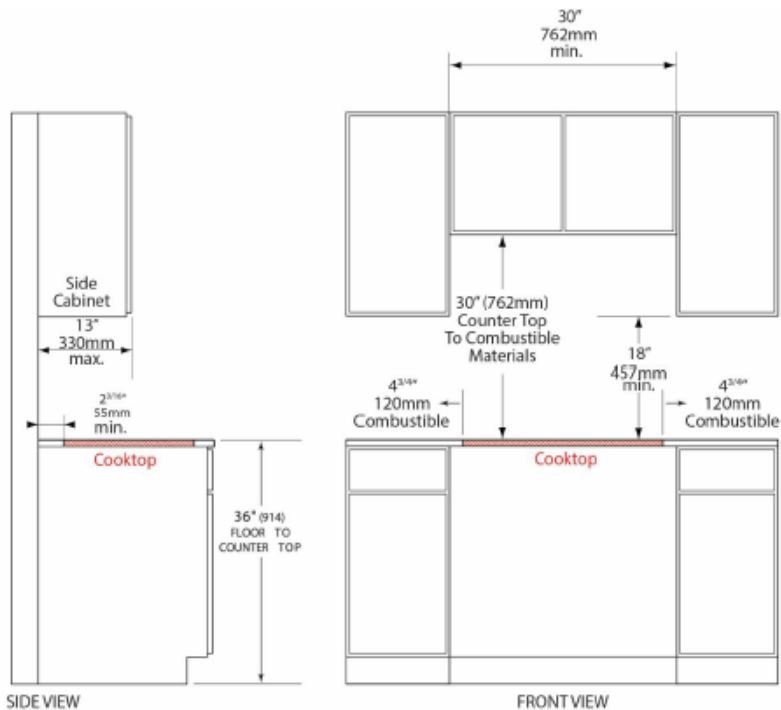
## SPECIFICATIONS



### RECOMMENDED CABINET SPECIFICATIONS



### RECOMMENDED CABINET MINIMUM CLEARANCE





Porter & Charles Appliances are designed and manufactured to the highest standards.  
Each appliance is covered by a comprehensive 2-year parts and labor warranty.

**Refer to product warranty policy for complete terms and conditions.**

**FOR PARTS AND SERVICE**

Euro-Parts & Service  
39822 Belgrave Road, Belgrave, ON. N0G 1E0  
1 800 678 8352 (Canada) • 1 800 561 4614 (U.S.)

[www.euro-parts.ca](http://www.euro-parts.ca) • [parts@euro-parts.ca](mailto:parts@euro-parts.ca) • [service@euro-parts.ca](mailto:service@euro-parts.ca)

Porter & Charles appliances are imported and distributed in North America by  
Euro-Line Appliances Inc. For more information, please visit one of our showrooms or  
[www.ela.ca](http://www.ela.ca) [www.elawest.ca](http://www.elawest.ca)

***EURO-LINE APPLIANCES INC.***

871 Cranberry Court  
Oakville, ON L6L 6J7 Canada  
905 829 3980 - 1.800.421.6332  
[info@ela.ca](mailto:info@ela.ca)

***EURO-LINE APPLIANCES WEST INC.***

101-1014 Homer St.  
Vancouver, BC V6B 2W9 Canada  
604 235 3984 - 1 855 ELA WEST (352 9378)  
[info@elawest.ca](mailto:info@elawest.ca)

