



ENGLISH

FRANÇAIS

ESPAÑOL

marantz®

AV Surround Receiver

SR5008

Getting Started

Mise en route

Antes de empezar

Welcome

Thank you for choosing a Marantz AV receiver. This guide provides step-by-step instructions for setting up your AV receiver.

If you have setup problems:

If you need additional help in solving problems, contact Marantz customer service in your area.

For details, see the Marantz homepage. www.marantz.com

1-855-ONE-Marantz

1-855-663-6272

Call for Assistance: 9:00AM to 8:00PM M-F E.S.T.




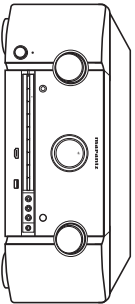
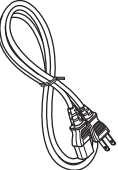


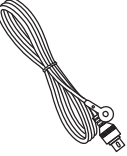
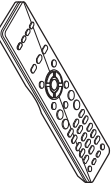



For frequency asked questions please visit

<http://marantz.custhelp.com/app/answers/list>

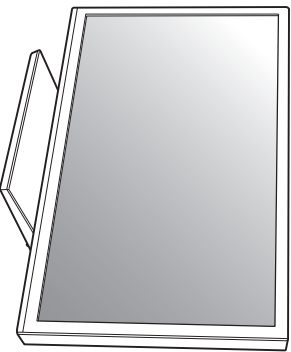

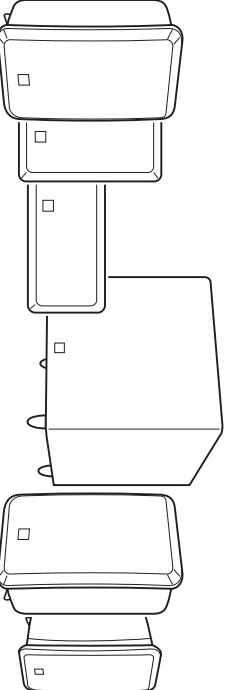
For US and Canada only

Before You Begin

What's In the Box

| | | | |
|--|---|--|--|
|  Getting Started (this getting started) |  Owner's Manual |  Safety Instructions | |
|  Receiver | |  Power cord |  Setup and measurement microphone |
|  AM loop antenna |  FM indoor antenna |  Remote control unit |  R03/AAA batteries |
|  Cable label | |  Warranty (for USA) (for CANADA) | |

Required for setup

| | |
|--|---|
|  TV |  HDMI cable |
|  Speaker systems | |



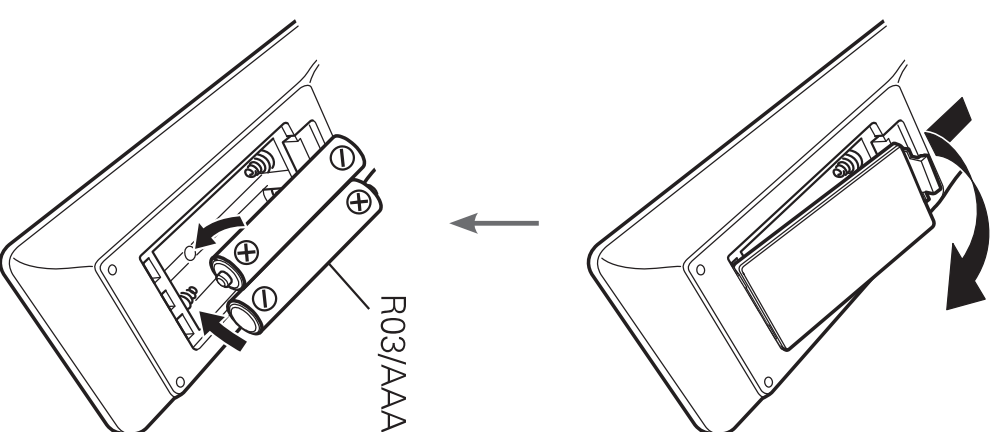
These drawings are for illustrative purposes only and may not represent the actual product(s).

Setup

There are three steps to the setup process.

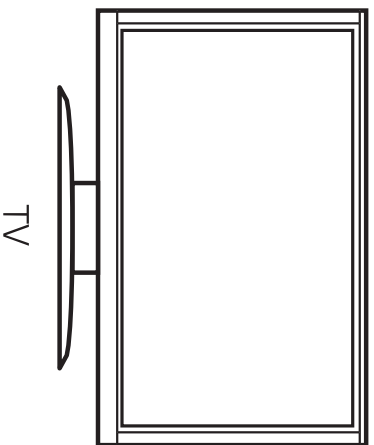
- 1** Install batteries in the remote control unit
- 2** Connect the receiver to your TV
- 3** Follow the On-Screen Setup Assistant

1 Installing batteries in the remote control unit

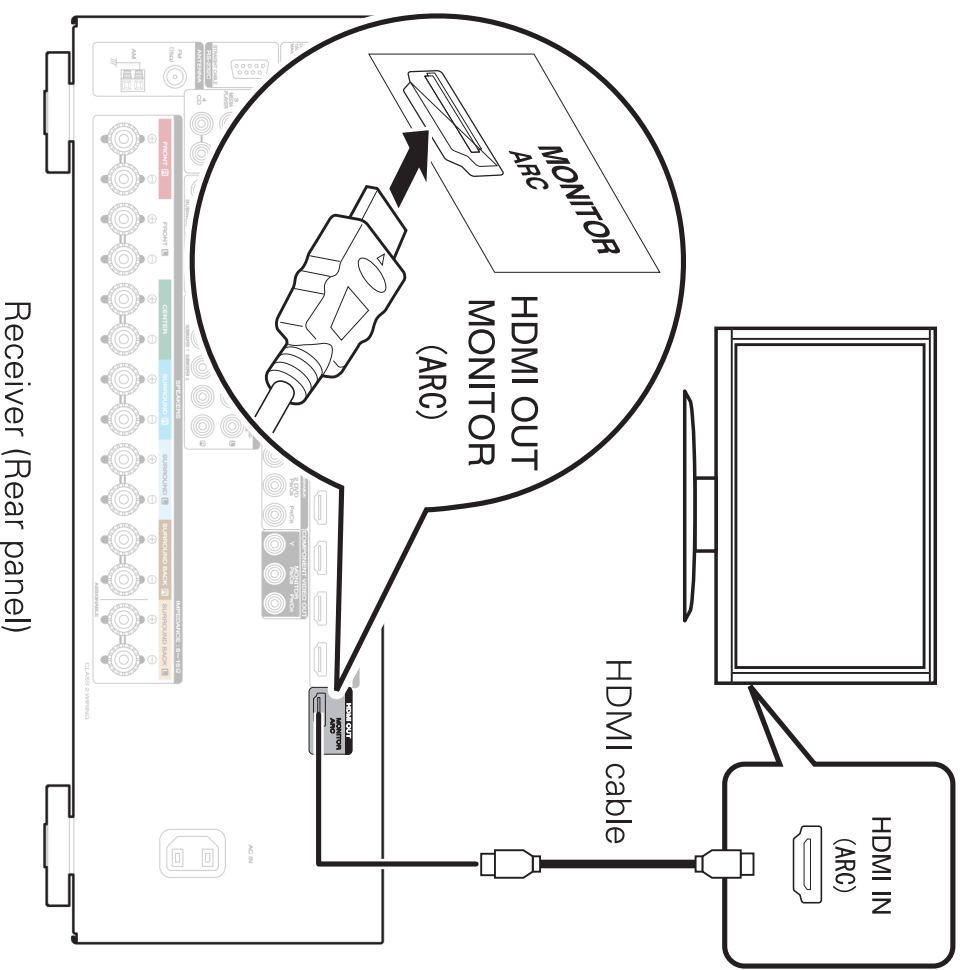


2 Connecting the receiver to your TV

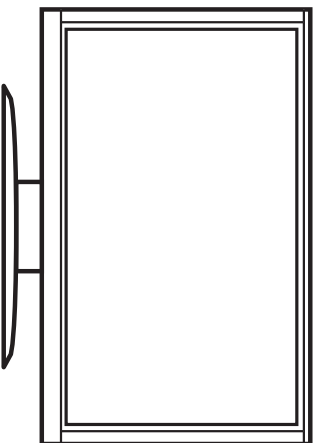
□ Place the receiver near your TV.



□ Connect the receiver to your TV with an HDMI cable.

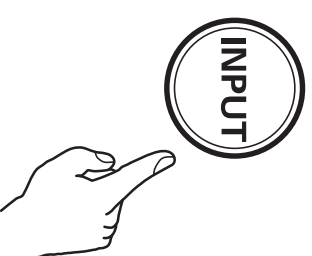
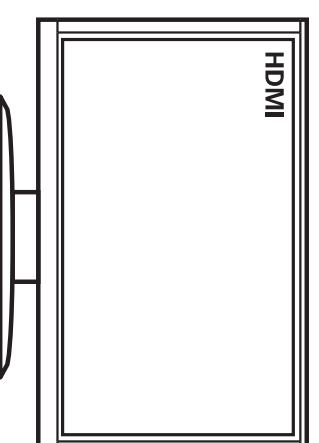


Turn on the TV.



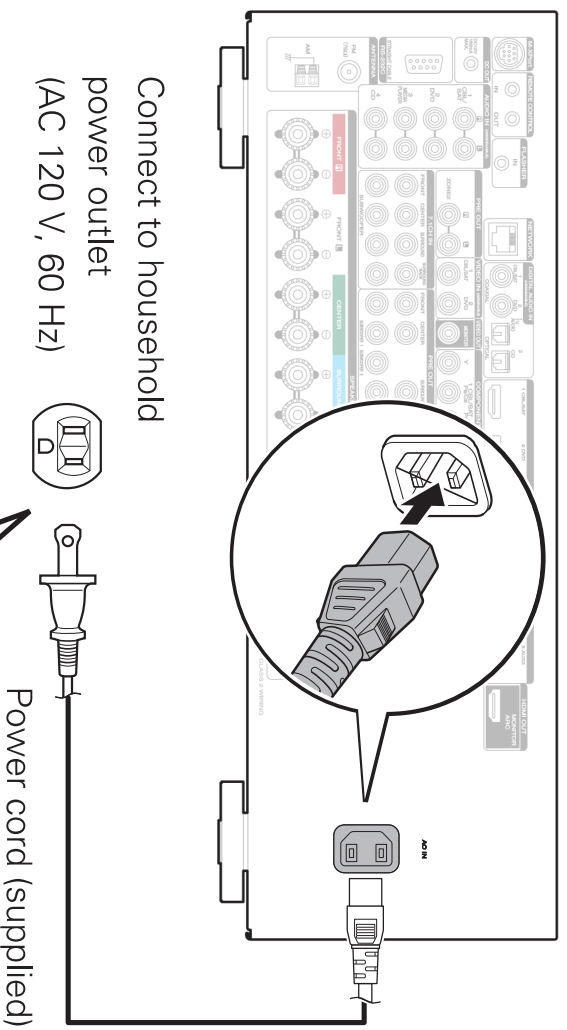
TV remote control unit


Select the appropriate HDMI input on your TV.

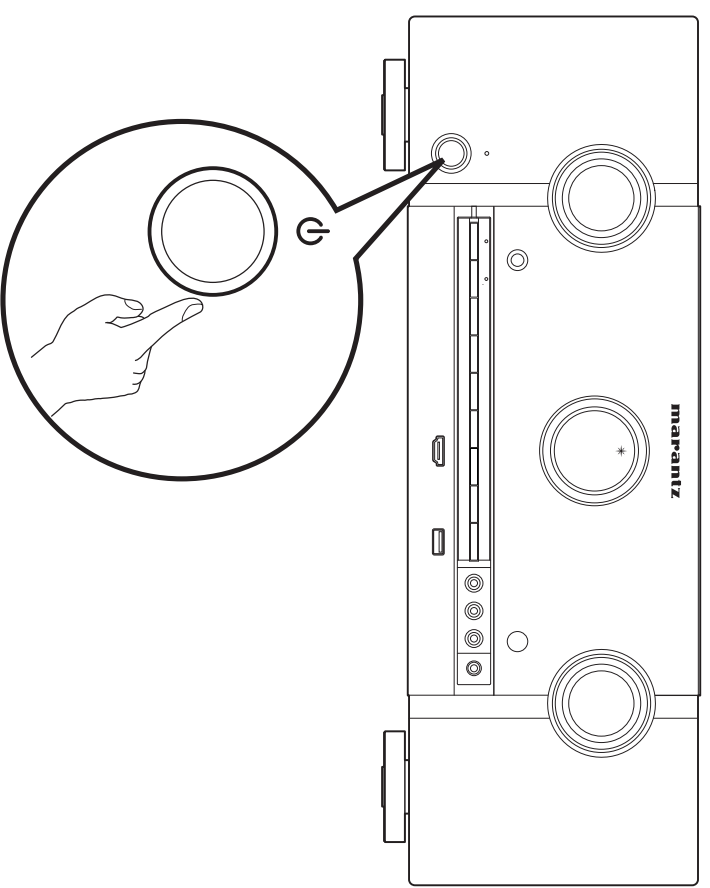


TV remote control unit

□ Turn on receiver.

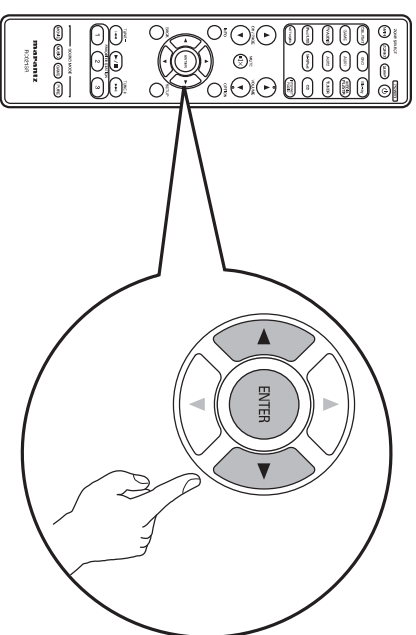
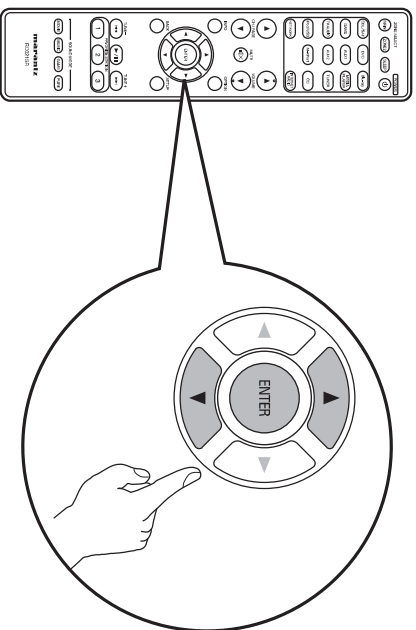
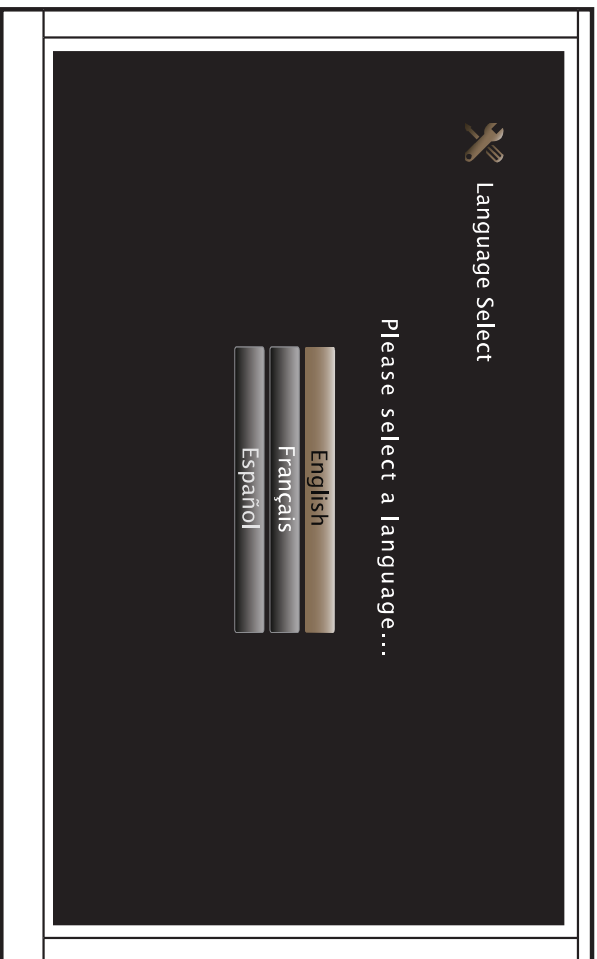


- Press  to turn on receiver.



3 Follow the On-Screen Setup Assistant

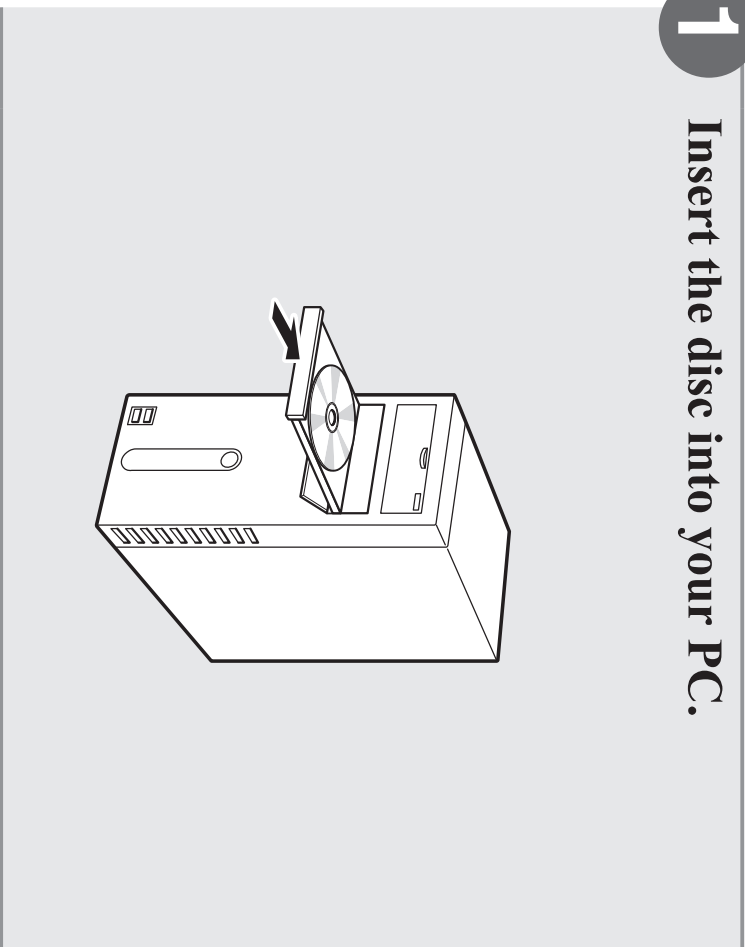
The Setup Assistant will walk you through connecting and configuring your speakers and components to your Marantz receiver. Please use the remote control and follow the on-screen instructions.



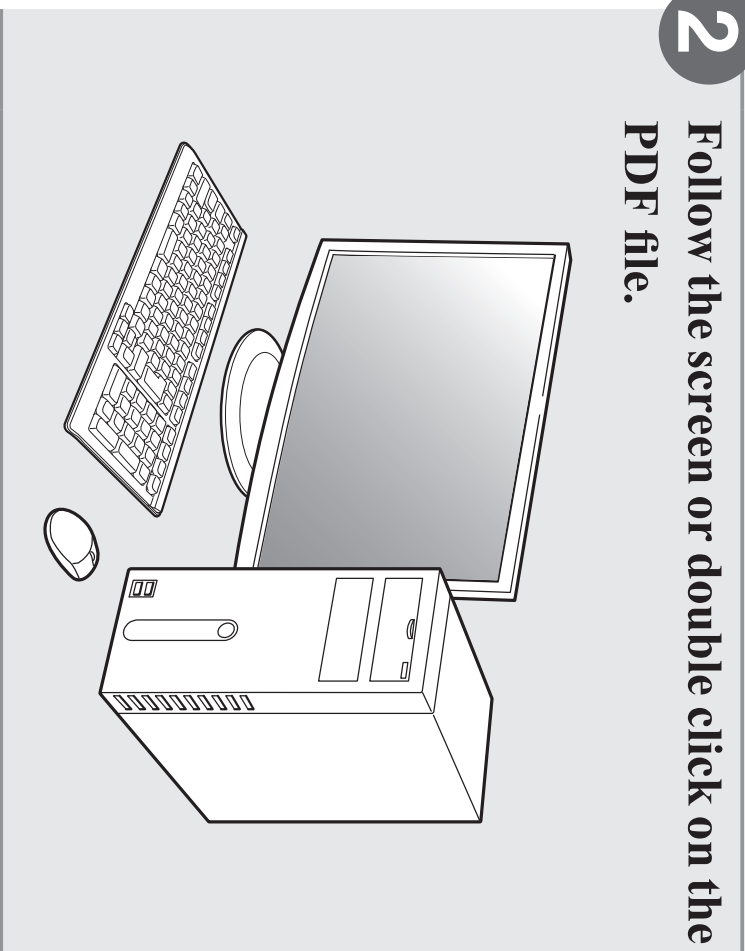
Owner's Manual

The included CD-ROM contains an Adobe PDF version of the full owner's manual for the AV receiver. Please reference this manual for more details about the setup and operation of the receiver and it's features.

1 Insert the disc into your PC.



2 Follow the screen or double click on the PDF file.



Product Name : AV Surround Receiver
Model Number : SR5008

www.marantz.com

You can find your nearest authorized distributor or dealer on our website.

marantz[®] is a registered trademark.

D&M Holdings Inc.
Printed in China 5411 11026 00AM