

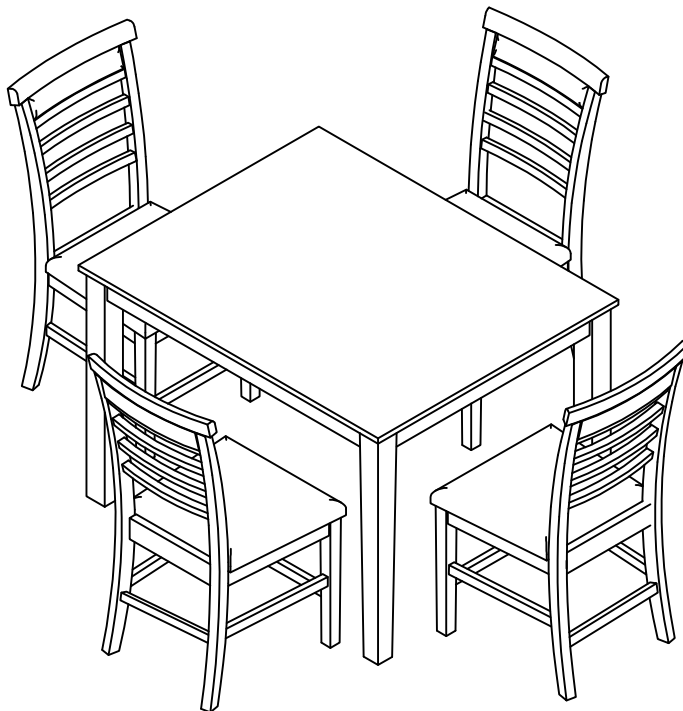
MODEL #

CM3607PT-5PK

Questions?

GIVE US CALL: 1-888-980-5122  
MON-FRI 8:30AM - 5:30PM (PST)

# ASSEMBLY INSTRUCTIONS



## TOOLS REQUIRED



Allen Wrench

(Included)



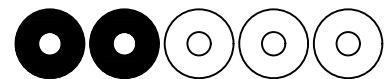
Phillips  
Screwdriver

(Not Included)



2 - People  
Recommended

## ASSEMBLY RATING



EASY → DIFFICULT

The Assembly Rating is a 5-point system showing the level of effort needed to assemble a specific product.





FOA Intro

Thank you for your purchase!

We hope you enjoy this new addition to your home for many years to come.

Our commitment to providing quality products does not simply end when you purchase our product. We fully stand behind our products from start to finish. Our customer service department is available Monday – Friday 8:30 AM – 5:30 PM Pacific and can help with assembly questions as well as, if necessary, replacing damaged or missing parts. To help expedite our service, please have these assembly instructions readily available, along with your order receipt.

 **Consumer Hotline**  
Toll-Free 1-888-980-5122

 **Monday to Friday**  
8:30AM- 5:30PM (PST)

 **WEBSITE**  
[www.foagroup.com](http://www.foagroup.com)

 **E-MAIL**  
[cs.ec@foagroup.com](mailto:cs.ec@foagroup.com)

    foagroup

 FurnitureOfAmerica

---

## CHECK BEFORE STARTING

**Are you missing anything?**

Double-check all parts, hardware and accessories listed on Page 6 are accounted for.

**Check out our Quick Tips!**

We recommend reviewing the pre-assembly handouts. Even experts need a refresher now and then!

**Should we send any replacements?**

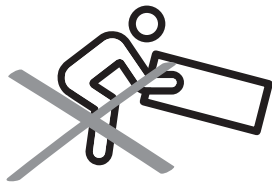
Are there any irregularities or flaws in the parts? We can send replacements!

**Prep Time!**

Please review the assembly instructions and all diagrams prior to assembling. Arrange parts as recommended on Page 7 and group identical hardware together to make assembling easier.

# PRE ASSEMBLY INTRODUCTION

We understand building ready-to-assemble furniture can be a challenging experience for some. To help avoid confusion, we have provided some helpful tips that may speed up the process.



## Teamwork

ALWAYS have at least two people to help with transporting and assembling the product to avoid potential injury and/or damage.



## Suitable Location

Assembling near the area of the intended location is highly recommended.



## Sufficient Space

Make sure you have enough space to move around during the assembly.



## Avoid Scratches

Use cardboard, blankets or a carpeted area while assembling furniture to prevent scratches.



## Flat Surface

Make sure the furniture rests on a flat and level surface with each leg evenly touching the floor.

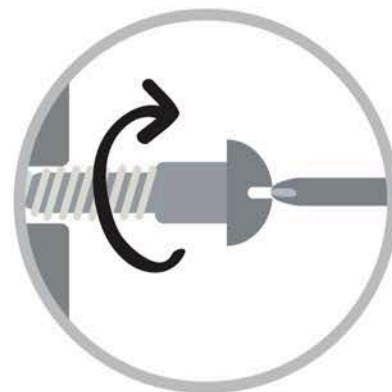
# ASSEMBLY AND CARE ADVICE



**FAILURE TO FOLLOW THE GUIDELINES BELOW MAY RESULT IN INJURY AND/OR PROPERTY DAMAGE.**



Position each part correctly and insert screws or bolts into their respective holes.



Turn clockwise to tighten and only tighten when step is completed or when instructed to do so.



Use the appropriate hand tools or power tools for assembly. Select steps, such as tightening screws and/or bolts, may require hand tools to avoid causing damage during assembly.



Save the instructions and store any supplied tools for later maintenance.



After two weeks, check and tighten any loose hardware and repeat again every six months thereafter.

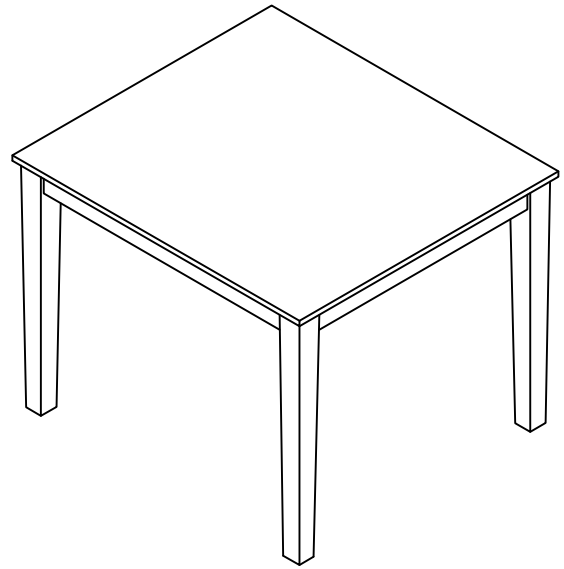
**IT IS THE USER'S RESPONSIBILITY TO MAINTAIN THE FURNITURE. THE HARDWARE MAY LOOSEN OVER TIME AND MAY CAUSE THE FURNITURE TO BE WOBBLY AND UNABLE TO SUPPORT ITS INTENDED WEIGHT CAPACITY. THIS MAY LEAD TO COLLAPSE AND MAY CAUSE SERIOUS INJURY.**

# TABLE

CM3607PT-5PK



- Please keep instructions for future reference.
- Check the quantity and irregularity of parts and hardware before you start.



## PARTS

#1 1pc

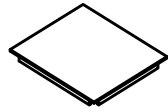
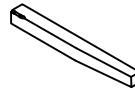


Table Top

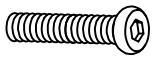
#2 4pcs



Leg

## HARDWARE

#A 8pcs



Bolt  $\text{Ø}5/16'' \times 2-5/8''$

#B 8pcs



Lock Washer  $\text{Ø}5/16''$

#C 8pcs

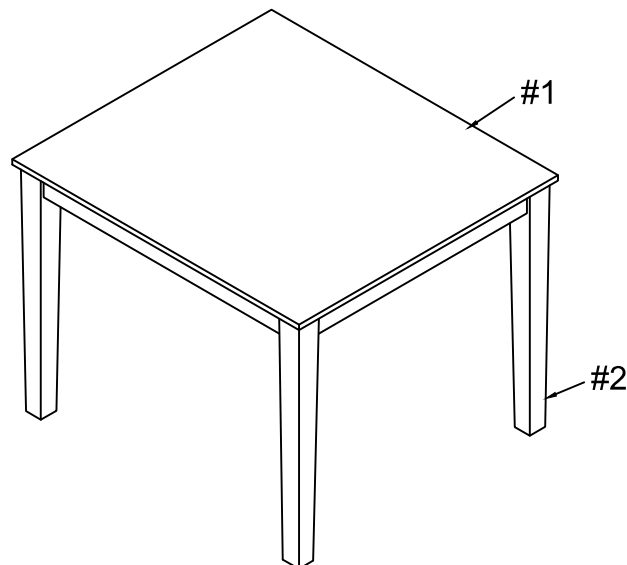


Flat Washer  $\text{Ø}5/16''$

#D 1pc



Allen Wrench M4



# ASSEMBLY INSTRUCTIONS

## 1

Part #1 x1pc

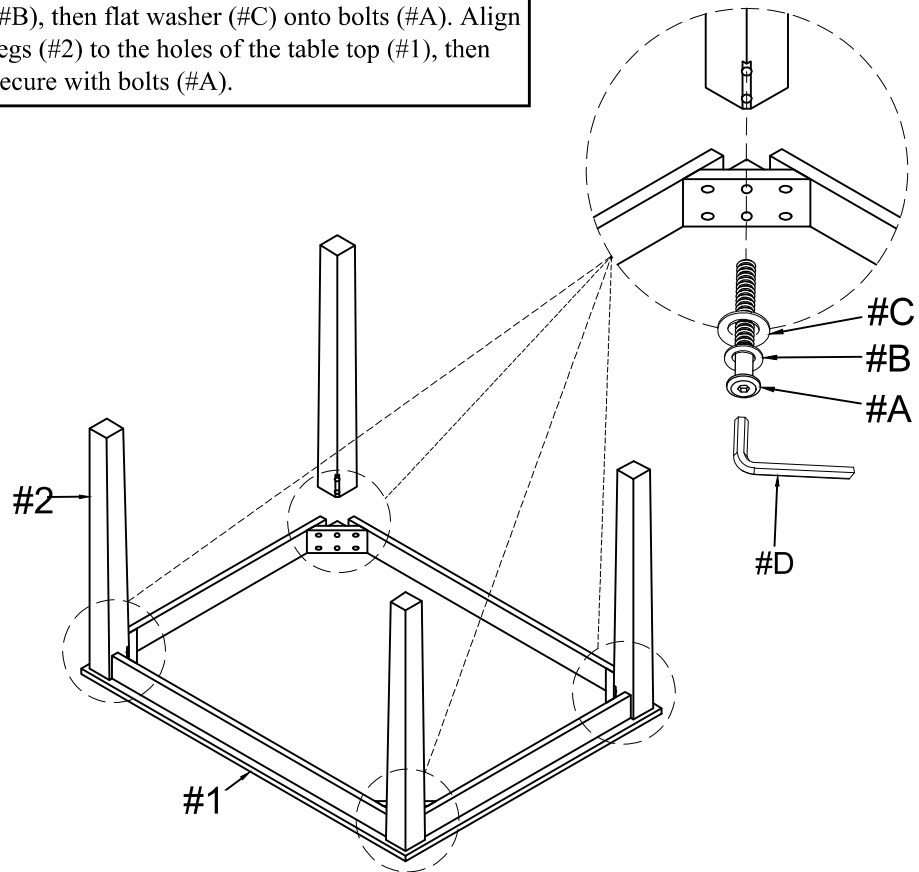
Part #2 x4pcs

Hardware #A x8pcs

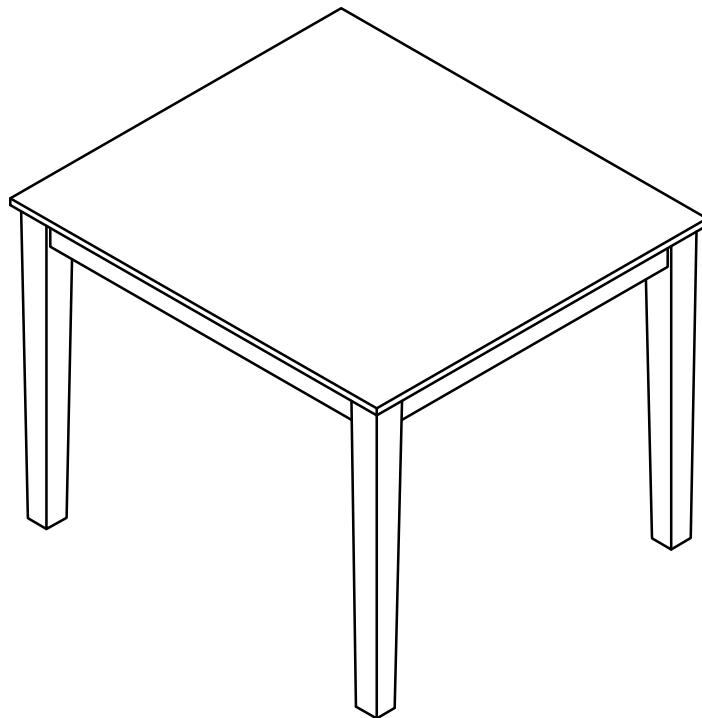
Hardware #B x8pcs

Hardware #C x8pcs

Prepare 8 bolts assembly by inserting lock washer (#B), then flat washer (#C) onto bolts (#A). Align legs (#2) to the holes of the table top (#1), then secure with bolts (#A).

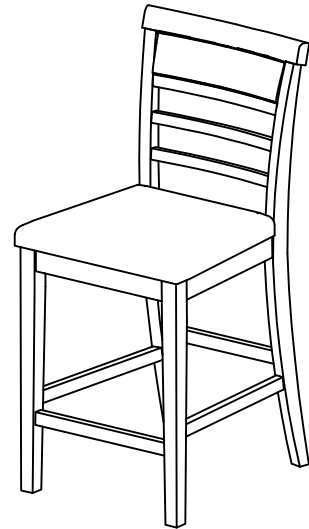
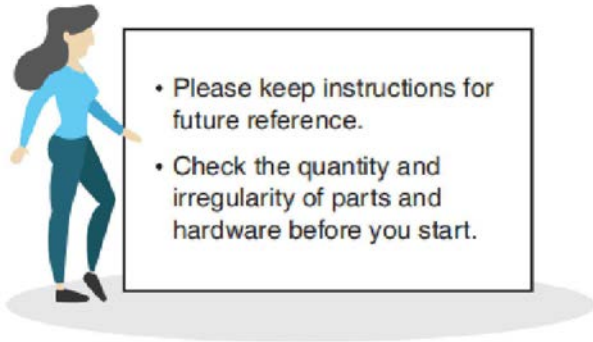


## 2



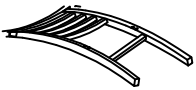
# CHAIR

CM3607PT-5PK



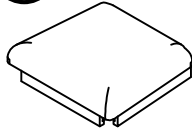
## PARTS

#1 1pc x4



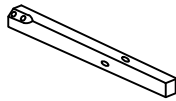
Chair Back

#2 1pc x4



Cushion Seat

#3 2pcs x4



Front Leg  
(L&R)

#4 2pcs x4



Side stretcher  
(L&R)

#5 1pc x4



Front stretcher

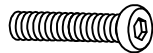
## HARDWARE

#A 2pcs x4



Bolt Ø1/4" x 1-1/2"

#B 4pcs x4



Bolt Ø1/4" x 2-3/8"

#C 4pcs x4



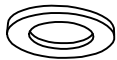
Bolt Ø1/4" x 3"

#D 10pcs x4



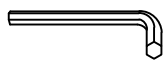
Lock Washer Ø1/4"

#E 10pcs x4



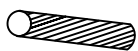
Flat Washer Ø1/4"

#F 1pc x4



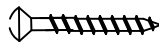
Allen Wrench M4

#G 1pc x4

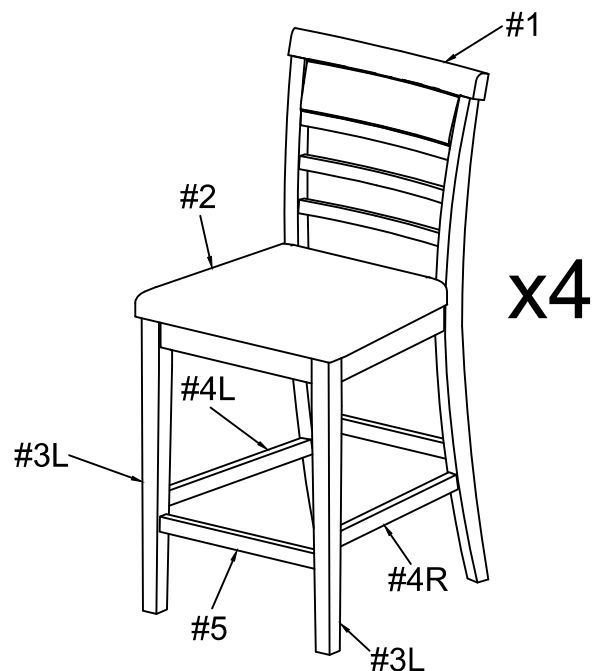


Wood Dowels 8x30mm

#H 6pcs x4



Screw #4X38mm

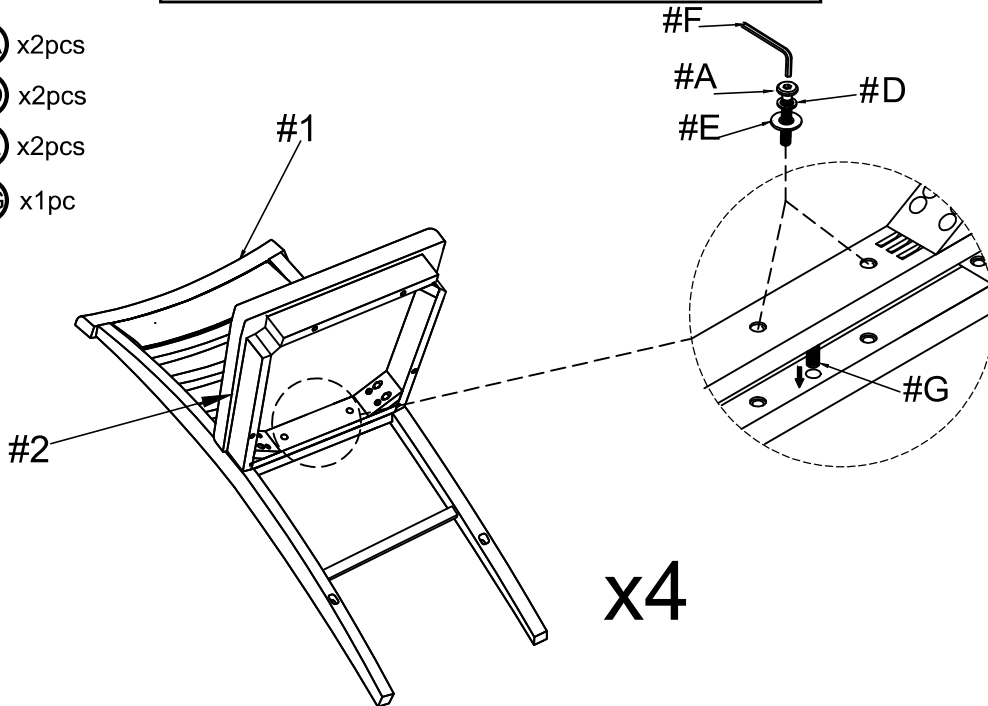


# ASSEMBLY INSTRUCTIONS

## 1

- Part **#1** x1pc
- Part **#2** x1pc
- Hardware **#A** x2pcs
- Hardware **#D** x2pcs
- Hardware **#E** x2pcs
- Hardware **#G** x1pc

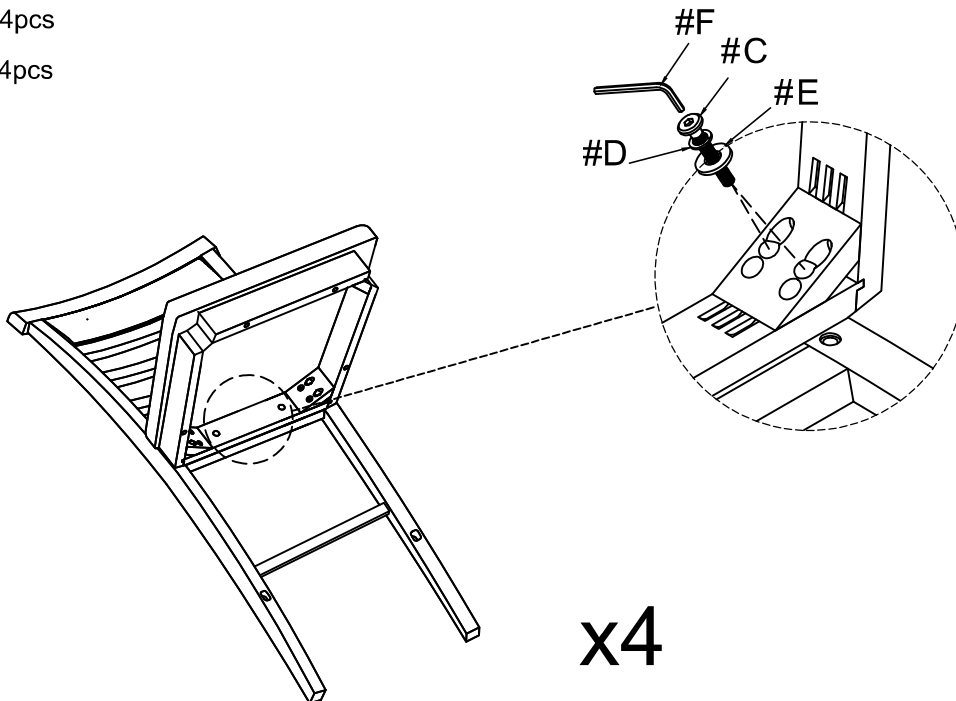
Prepare 2 bolts assembly by inserting lock washer (#D), then flat washer (#E) onto bolts (#A). Insert a dowel (#G) to the middle hole of the chairback (#1). Align cushion (#2) to the chairback (#1), then secure two middle holes of the cushion (#2) with bolts (#A), but do not fully tighten.



## 2

- Hardware **#C** x4pcs
- Hardware **#D** x4pcs
- Hardware **#E** x4pcs

Prepare 4 bolts assembly by inserting lock washer (#D), then flat washer (#E) onto bolts (#C). Secure corner holes of the cushion (#2) with bolts (#C) and tighten all bolts.

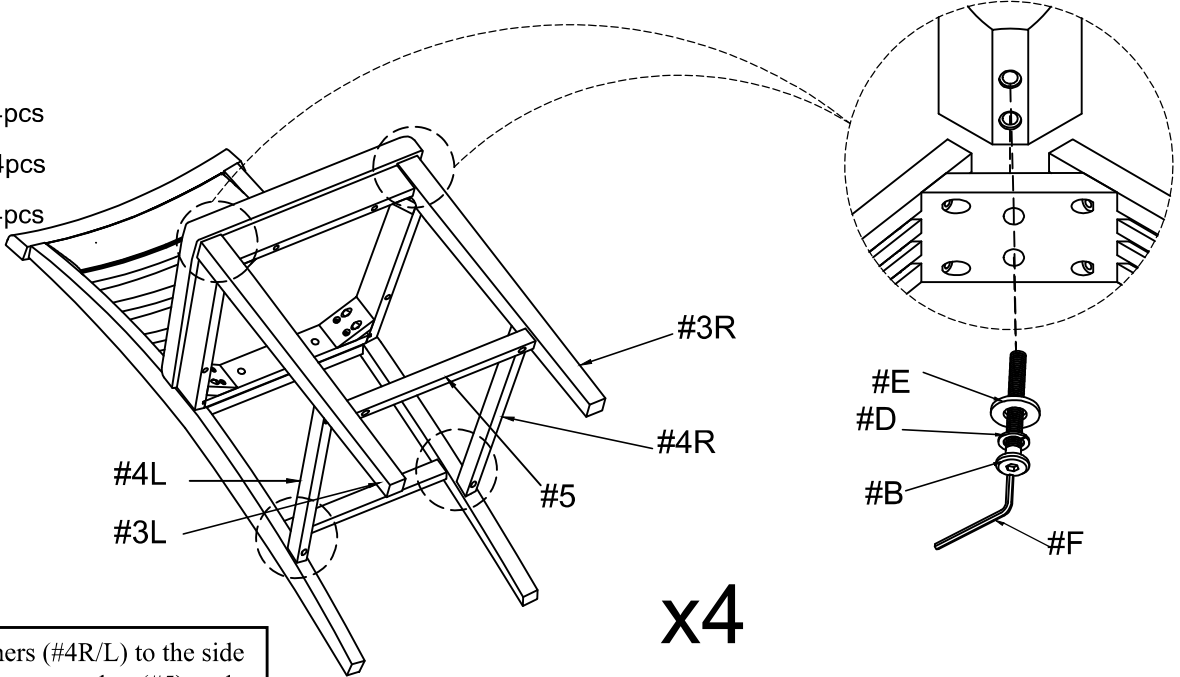


# ASSEMBLY INSTRUCTIONS

## 3

1) Prepare 4 bolts assembly by inserting lock washer (#D), then flat washer (#E) onto bolts (#B). Align front legs (#3R/L) to the holes of the cushion (#2). Secure with bolts (#B), but do not fully tighten.

- Part (#3) x2pcs
- Part (#4) x2pcs
- Part (#5) x1pc
- Hardware (#B) x4pcs
- Hardware (#D) x4pcs
- Hardware (#E) x4pcs

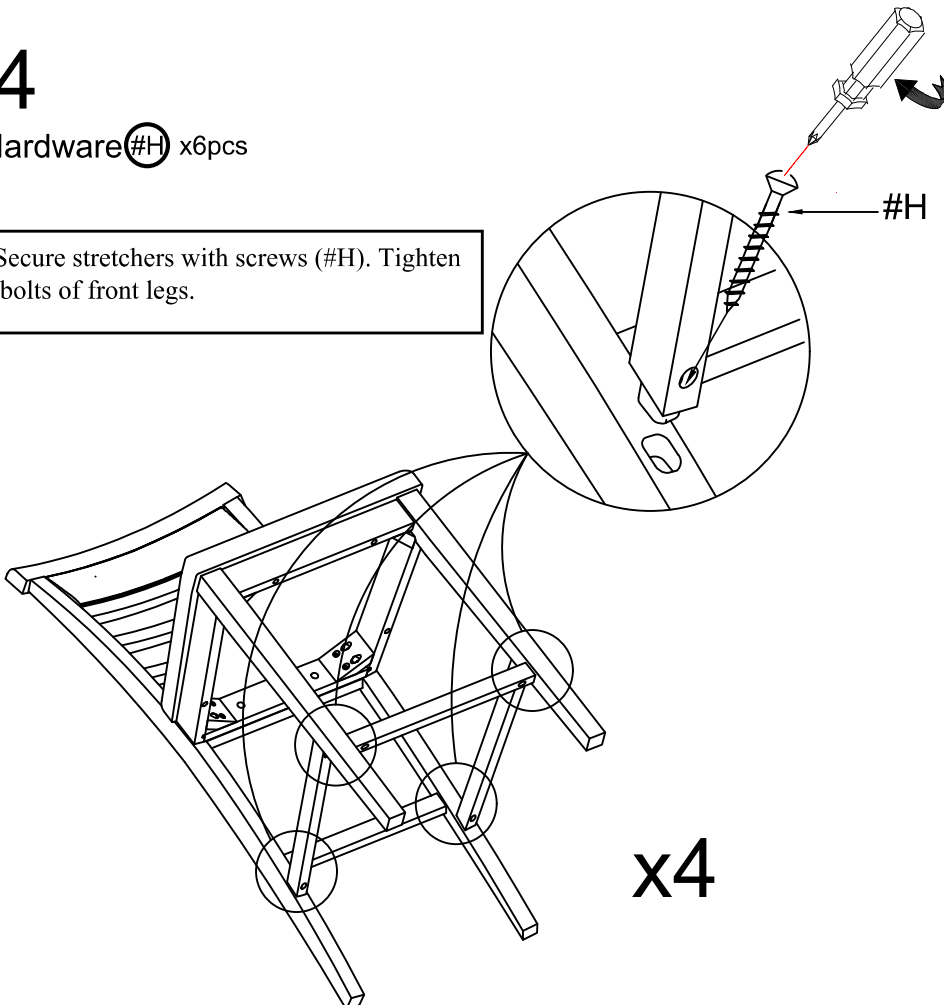


2) Align side stretchers (#4R/L) to the side of the chair. Align front stretcher (#5) to the front of the chair.

## 4

- Hardware (#H) x6pcs

Secure stretchers with screws (#H). Tighten bolts of front legs.



## ASSEMBLY COMPLETED



Please ensure the furniture rests on an even and flat surface. If the product wobbles or feels loose, double-check all bolts and/or screws are properly tightened and secured.



### Keep this handy!

Please retain this instruction manual and any order-related information for future reference.



### Lift, don't drag!

To avoid damage to product please always LIFT the product when transporting or adjusting the placement.