



By Sorelle - A Division of C&T International, Inc.

46 Whelan Road, East Rutherford, N. J. 07073 U. S. A.

Tel, +1(201)531 1919 Fax, +1(201)531 1920

Website: www.sorellefurniture.com

Palisades Room in a Box Assembly Instruction



Important Information:

Read all instructions **BEFORE** assembling crib.

KEEP INSTRUCTIONS FOR FUTURE USE.

Crib Warnings

WARNING:

- *Infants can suffocate on soft bedding. Never add a pillow or comforter. Never place additional padding under an infant.
- *Failure to follow these warnings and the assembly instructions could result in serious injury or death. **DO NOT** use this crib if you cannot exactly follow the accompanying instructions.
- *To reduce the risk of SIDS, pediatricians recommend healthy infants be placed on their backs to sleep, unless otherwise advised by your physician.
- ***Strangulation Hazard:** STRINGS CAN CAUSE STRANGULATION! **Do not** place items with a string around a child's neck, such as hood strings or pacifier cords. **Do not** suspend strings over a crib or attach strings to toys.
- ***Strangulation Hazard:** To help prevent strangulation tighten all fasteners. A child can trap parts of the body or clothing on loose fasteners.
- ***Strangulation Hazard:** **Do not** place crib near window or patio door where cords from blinds or drapes may strangle a child.
- ***Fall Hazard:** When child is able to pull to a standing position, set mattress to lowest position and remove bumper pads, large toys and other objects that could serve as steps for climbing out. This crib has an adjustable mattress support. For the convenience of the parent when the baby is very small, the mattress support may be used in the highest position. Important: with the mattress support and mattress in the highest position, be absolutely sure that the top of the front crib side is at least 3 inches higher than the top surface of the mattress. If it is not, lower the mattress support and the mattress to the next highest position.
- ***Fall Hazard:** Stop using crib when child begins to climb out or reaches a height of 35in. (89cm), whichever occurs first. The child should be placed in a youth or regular bed.
- *Check this product for damaged hardware, loose joints, loose bolts or other fasteners, missing parts, or sharp edges before and after assembly and frequently during use. Securely tighten loose bolts and other fasteners. **Do not use crib** if any parts are missing, damaged or broken. Contact C&T International Inc. for replacement parts and instructional literature if needed. Do not substitute parts.
- *Follow warnings on **all** products in a crib.
- *If refinishing, use a non-toxic finish specified for children's products.
- ***Never** use plastic shipping bags or other plastic film as mattress covers because they can cause suffocation.
- *Infants can suffocate in gaps between crib sides and a mattress that is too small.
- *Ensure a safe environment for the child by checking regularly, before placing the child in the crib, that every component is properly and securely in place.
- *To avoid head injury, do not allow any child to play underneath the crib.
- ***Never** add an accessory such as a bassinet or changing table that extends over the sleeping area.

CAUTION : ANY MATTRESS USED IN THIS CRIB MUST BE AT LEAST 27 1/4" (69CM) x 51 5/8" (131 CM) WITH A THICKNESS NOT EXCEEDING 6" (15CM).

Toddler Bed Warnings

⚠️ WARNING

INFANTS HAVE DIED IN TODDLER BEDS FROM ENTRAPMENT.

Openings in and between bed parts can entrap head and neck of a small child.

NEVER use bed with children younger than 15 months.

ALWAYS follow assembly instructions.

The maximum user weight is 50lbs (22.7kg)

⚠️ WARNING

STRANGULATION HAZARD

NEVER place bed near windows where cords from blinds or drapes may strangle a child.

NEVER suspend strings over a bed.

NEVER place items with a string, cord, or ribbon, such as hood strings or pacifier cords, around a child's neck. These items may catch on bed parts.

⚠️ CAUTION

ENTRAPMENT HAZARD

To avoid dangerous gaps, any mattress used in this bed shall be a full-size crib mattress at least 51 5/8 in (1310mm) in length, 27 1/4 in (690mm) in width and 4 in (100mm) in thickness. The mattress thickness must not exceed 6 in (150mm).

Changing Table Warnings

⚠️ WARNING

FALL HAZARD - to prevent death or serious injury, always keep child within arm's reach. Read all instructions before use of the changing table.

KEEP THESE INSTRUCTIONS IN A SAFE PLACE FOR FUTURE USE.

Inspect the changing table periodically. **Do not** use the changing table if it is damaged or broken. Contact C&T International Inc. with any questions.

Tighten all loose screws and bolts before each use.

The maximum recommended weight of the child is 30lbs for the changing table.

Use only the pad provided by C&T International Inc. or Manufacturer's

Always secure the pad to the changing surface. See Instructions.

NEVER use crib without Changing Table attached

NOTES ON ASSEMBLY:

-During the assembly process whenever using screws or bolts, check each by placing the screw/bolt on the diagram of the item which is drawn actual size and design. Be sure to use the proper size and shape specified in the instructions.

-To assemble this unit you may be required to place the unit on it's side and face. It is strongly recommended that assembly is done on a soft, non-abrasive surface to avoid damaging the finish.

NOTES ON USE:

Keep children and others safe by following these simple rules:

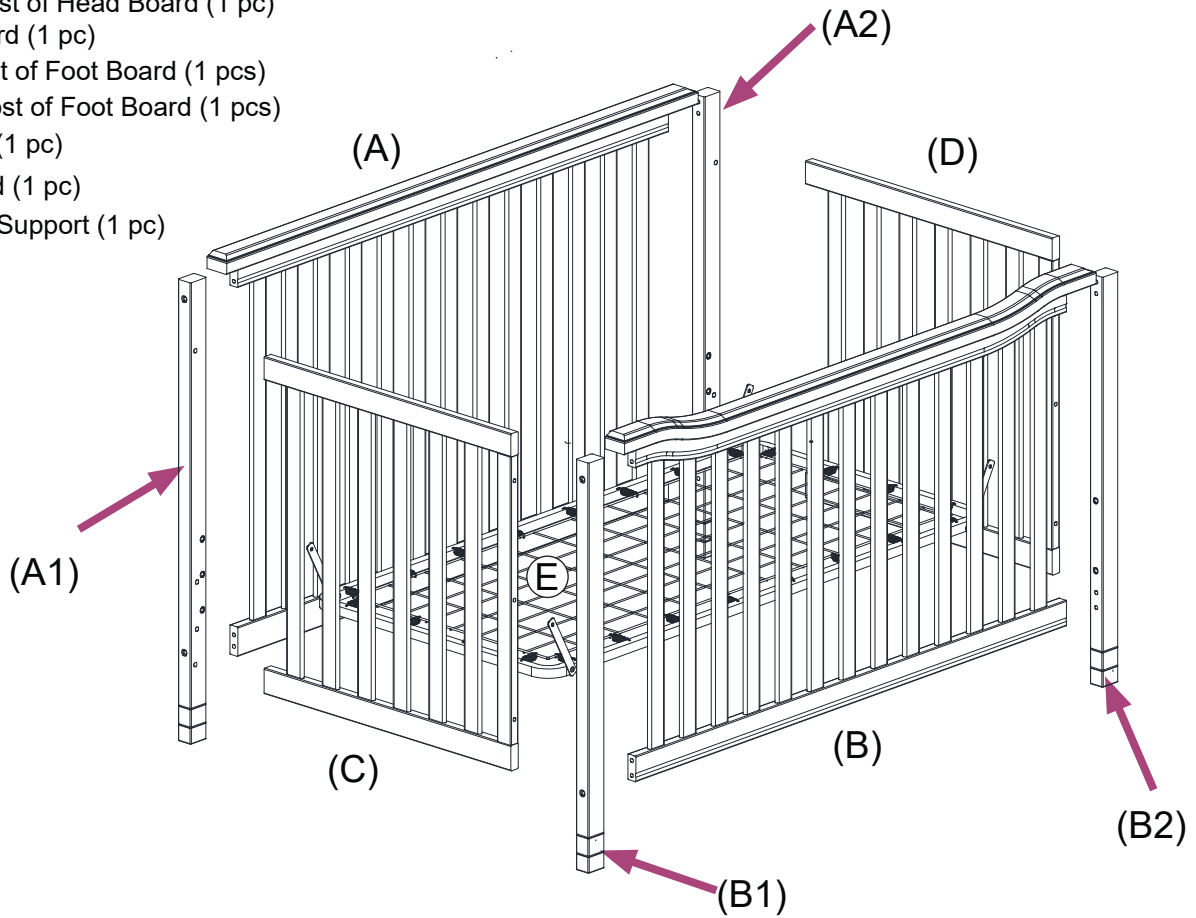
- **Do not** allow any child to play on furniture
- **Do not** allow climbing on any piece of furniture.
- **Do not** allow hanging from any piece of furniture.
- Always monitor your child's activity when in the nursery.

NOTES ON CARE AND MAINTENANCE:

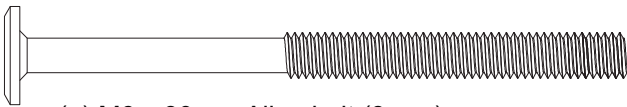
- **Do not** scratch or chip the finish.
- Inspect the product periodically, contact C&T International Inc. for replacement parts or questions.
- **Do not** store the product or any parts in extreme temperatures and conditions such as a hot attic or a damp, cold basement. These extremes can cause a loss of structural integrity.
- To preserve the luster of the high quality finish on your product, it is recommended to place a doily or felt pad under any items you place on the finish.
- Clean with a damp cloth, then a dry cloth to preserve the original luster and beauty of this fine finish.
- Do not** use abrasive chemicals.
- Do not** spray cleaners directly onto furniture.
- Lift slightly when moving on carpeting to prevent leg breakage.
- Use of a vaporizer near furniture will cause wood to swell and finish to peel.

Crib Assembly Parts

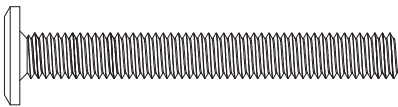
- (A) Head Board (1 pc)
- (A1) Left Post of Head Board (1 pc)
- (A2) Right Post of Head Board (1 pc)
- (B) Foot Board (1 pc)
- (B1) Left Post of Foot Board (1 pcs)
- (B2) Right Post of Foot Board (1 pcs)
- (C) Left End (1 pc)
- (D) Right End (1 pc)
- (E) Mattress Support (1 pc)



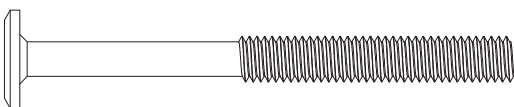
Hardware List



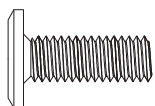
(a) M6 x 80mm Allen bolt (8 pcs)



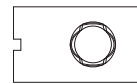
(b) M6 x 50mm Allen bolt (6 pcs)



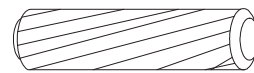
(c) M6 x 65mm Allen bolt (4 pcs)



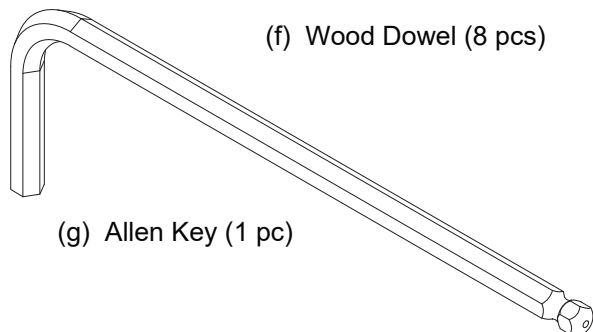
(d) M6 x 17mm Allen bolt (4 pcs)



(e) Barrel Nut (12 pcs)



(f) Wood Dowel (8 pcs)



(g) Allen Key (1 pc)

Crib Assembly Steps

Step 1

Connect Left Post of Headboard(A1) & Right Post of Headboard(A2) to Headboard (A) as Figure 1 shows.

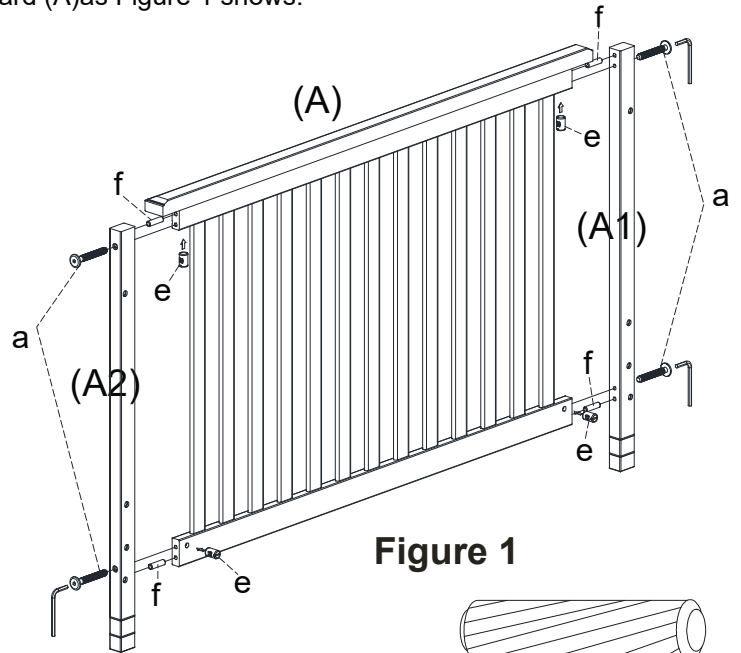
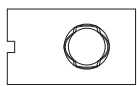
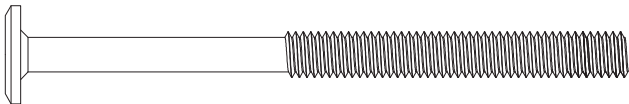


Figure 1



(e) Barrel Nut (4 pcs)



(a) M6 x 80mm Allen bolt (4 pcs)



(f) Wood Dowel (4 pcs)

Step 2

Attach Ends(C&D) to Left Post of Foot Board(B1) and Right Post of Foot Board (B2) as Figure 2 shows.

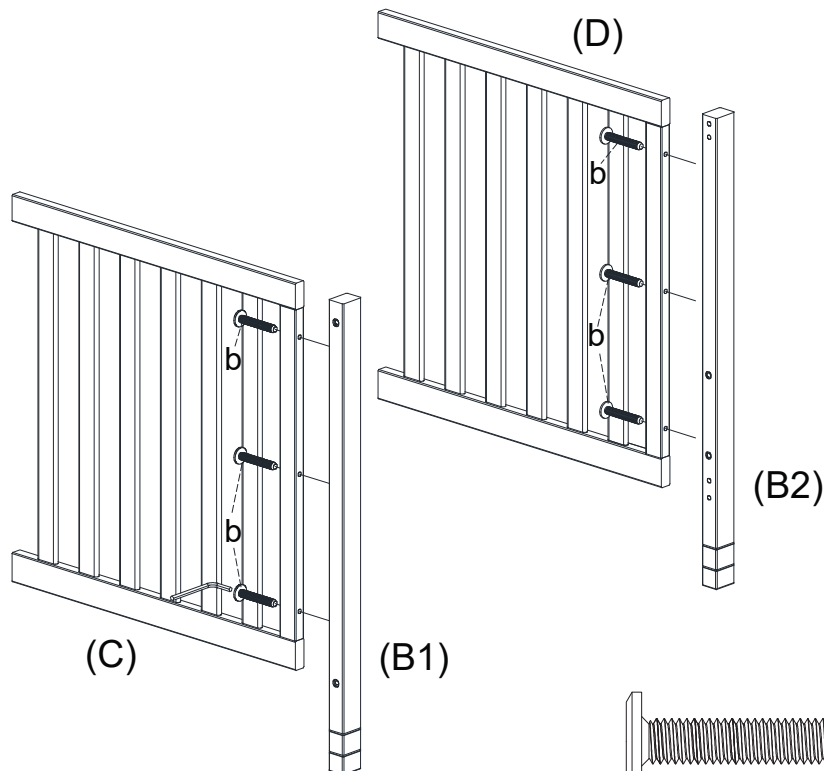
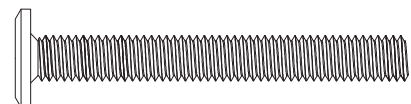


Figure 2

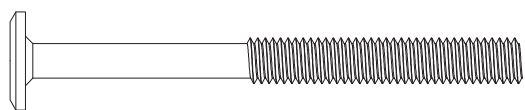


(b) M6 x 50mm Allen bolt (6 pcs)

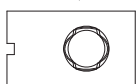
Crib Assembly Steps

Step 3

Connect Left Post of Headboard (A1) & Right Post of Headboard (A2) to Ends as Figure 3 shows.



(c) M6 x 65mm Allen bolt (4 pcs)



(e) Barrel Nut (4 pcs)

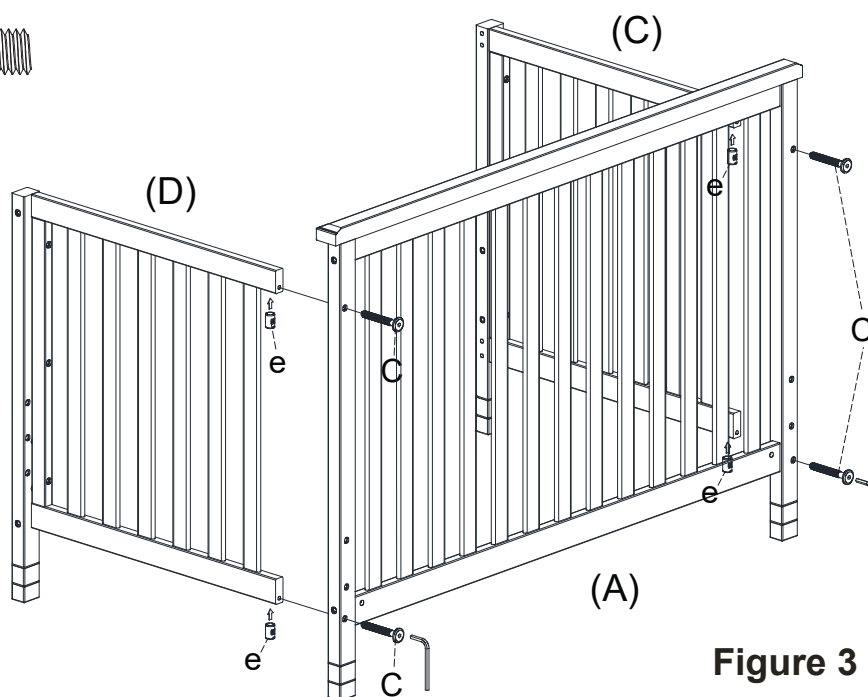


Figure 3

Step 4

Mattress Support Assembly (E) as Figure 4 shows.

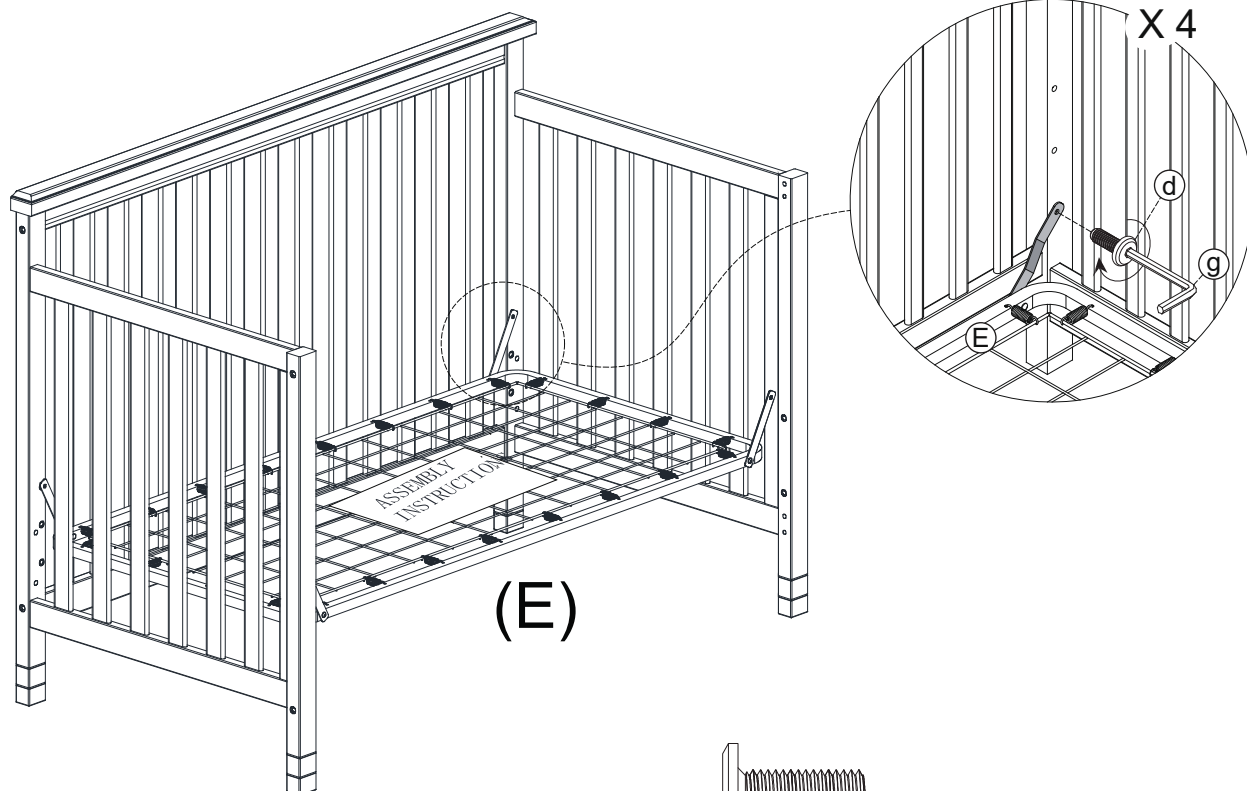
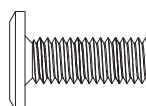


Figure 4



(d) M6 x 17mm Allen bolt (4 pcs)

Crib Assembly Steps

Step 5 FootBoard(B) Assembled as Figure 5 shows.

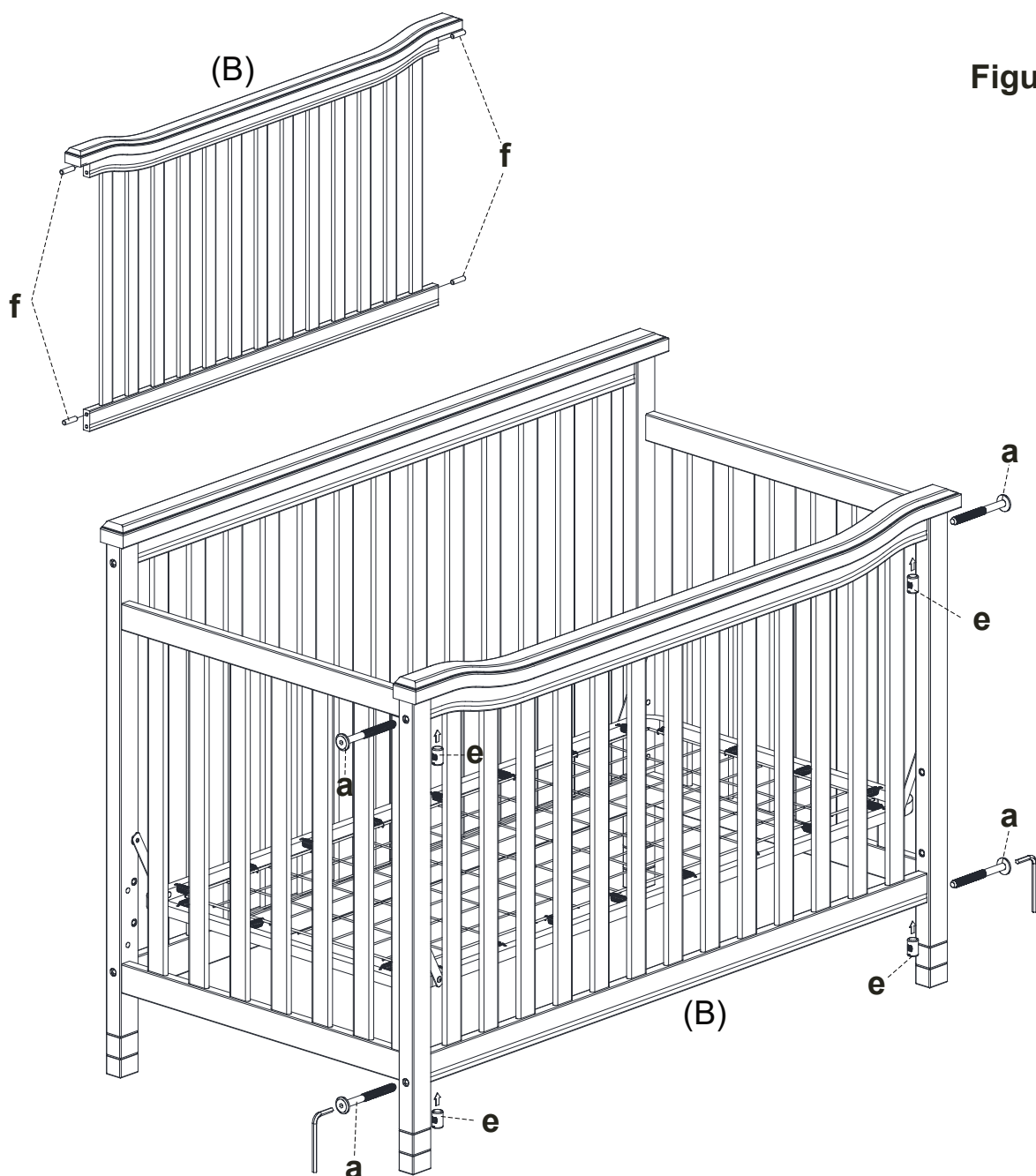
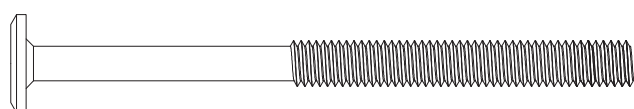
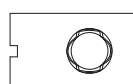


Figure 5



(a) M6 x 80mm Allen bolt (4 pcs)



(e) Barrel Nut (4 pcs)



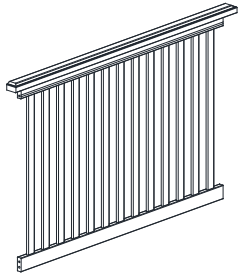
(f) Wood Dowel (4 pcs)

NOTE: This crib has a high position setup for use during your baby's first months. As soon as your baby starts to sit up, you must use the lowest mattress level.

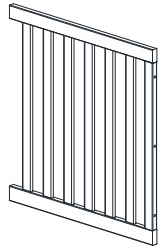
Your crib is now ready to use.

Converting to a Toddler Bed (Optional)

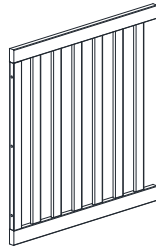
Follow all instructions supplied with the 148# Toddler Rail System. **NOTE:** 148# Toddler Rail System is not included. Please see your crib retailer, visit WWW.Sorellefurniture.com or contact C&T International / Sorelle for more information.



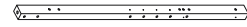
(A) Headboard (1pc)



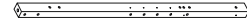
(C) Left End (1pc)



(D) Right End (1pc)



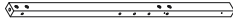
(B2) Right Post of Foot Board (1 pcs)



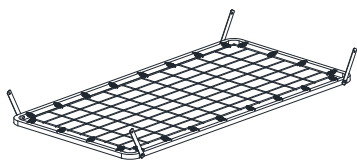
(B1) Left Post of Foot Board (1 pcs)



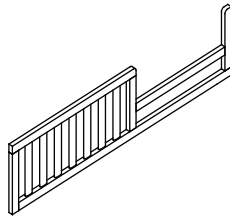
(A2) Right Post of Head Board (1 pc)



(A1) Left Post of Head Board (1 pc)

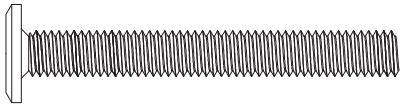


(E) Mattress Support (1 pc)

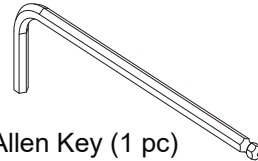


(G) 148 Toddler Rail (1 pc)

Assembly Hardware Set



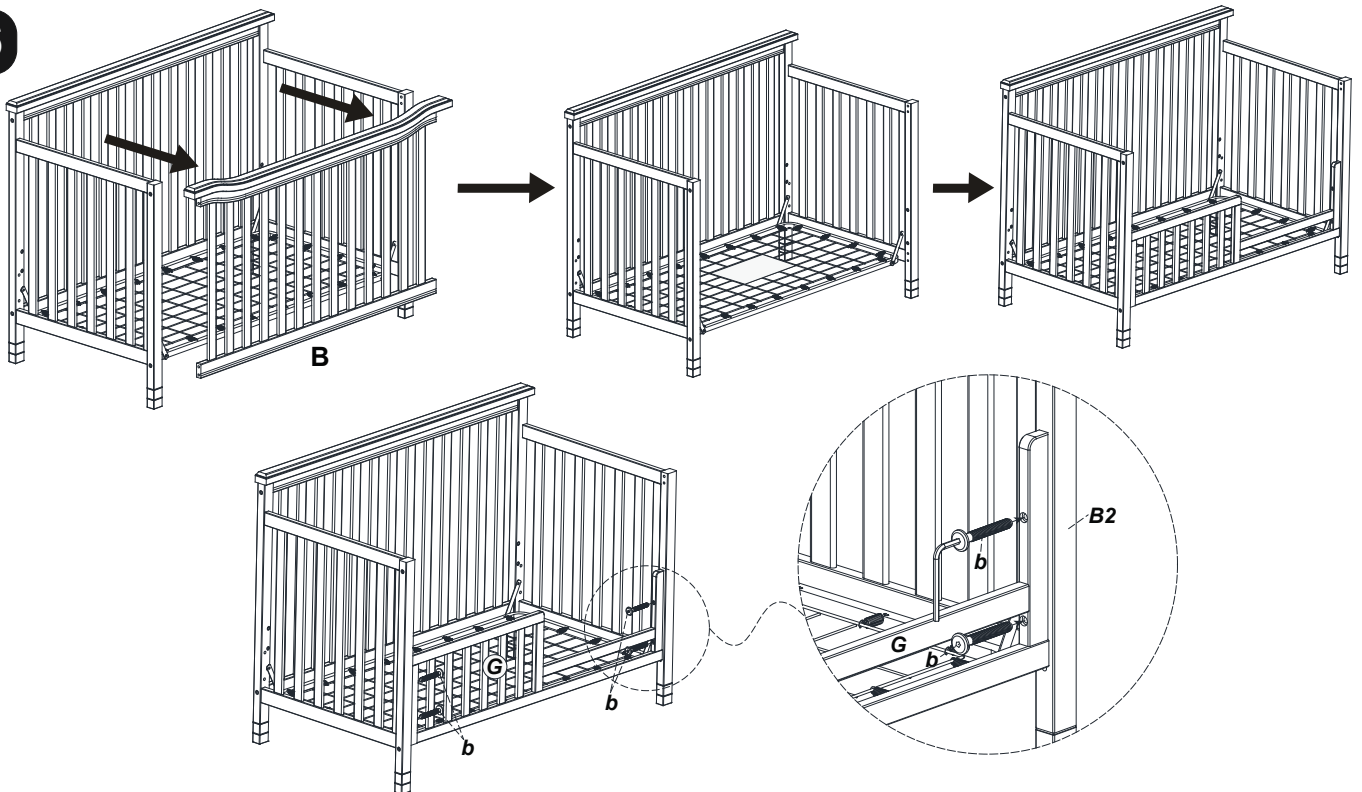
(b) 50mm Allen bolt (4 pcs)



(g) Allen Key (1 pc)

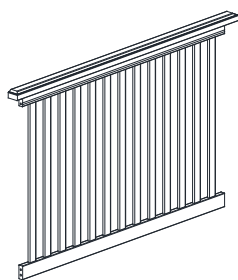
Toddler Bed Assembly

6

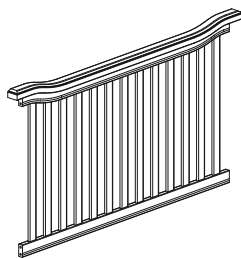


Move out the Front Frame (**B**) by loosening Allen Bolts (**b**)
Install the Guard Rail and Bottom Rail to the Crib as figure.

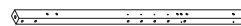
Fullsize Bed Assembly Parts



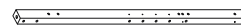
(A) Headboard (1 pc)



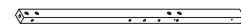
(B) Footboard (1 pc)



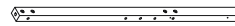
(B2) Right Post of Foot Board (1 pcs)



(B1) Left Post of Foot Board (1 pcs)

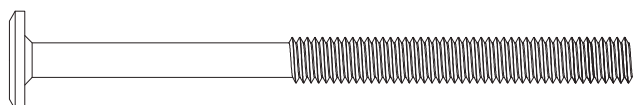


(A2) Right Post of Head Board (1 pc)



(A1) Left Post of Head Board (1 pc)

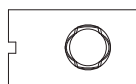
Assembly Hardware Set



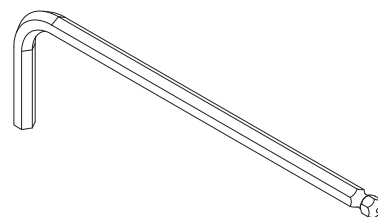
(a) M6 x 80mm Allen bolt (8 pcs)



(f) Wood Dowel (8 pcs)



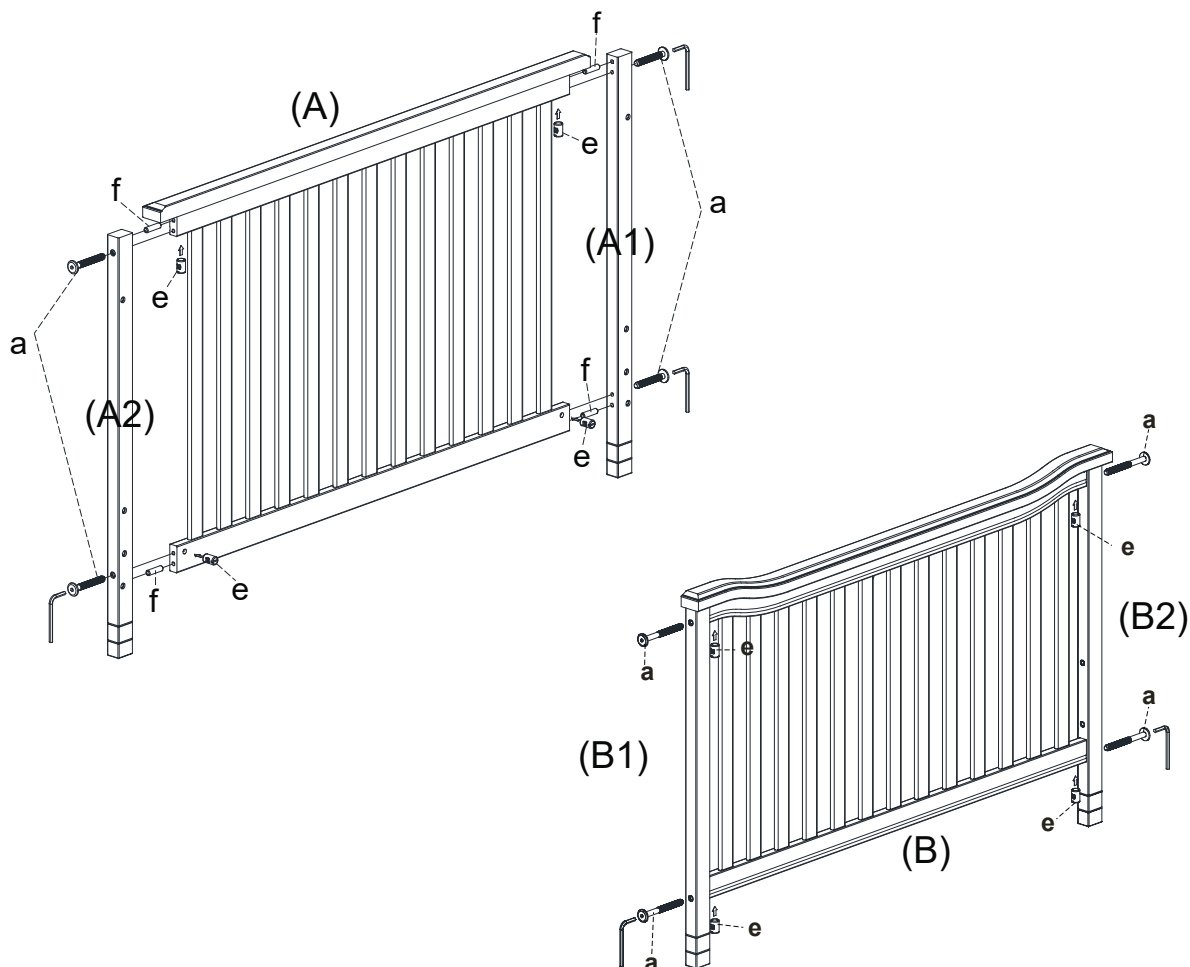
(e) Barrel Nut (8 pcs)



(g) Allen Key (1 pc)

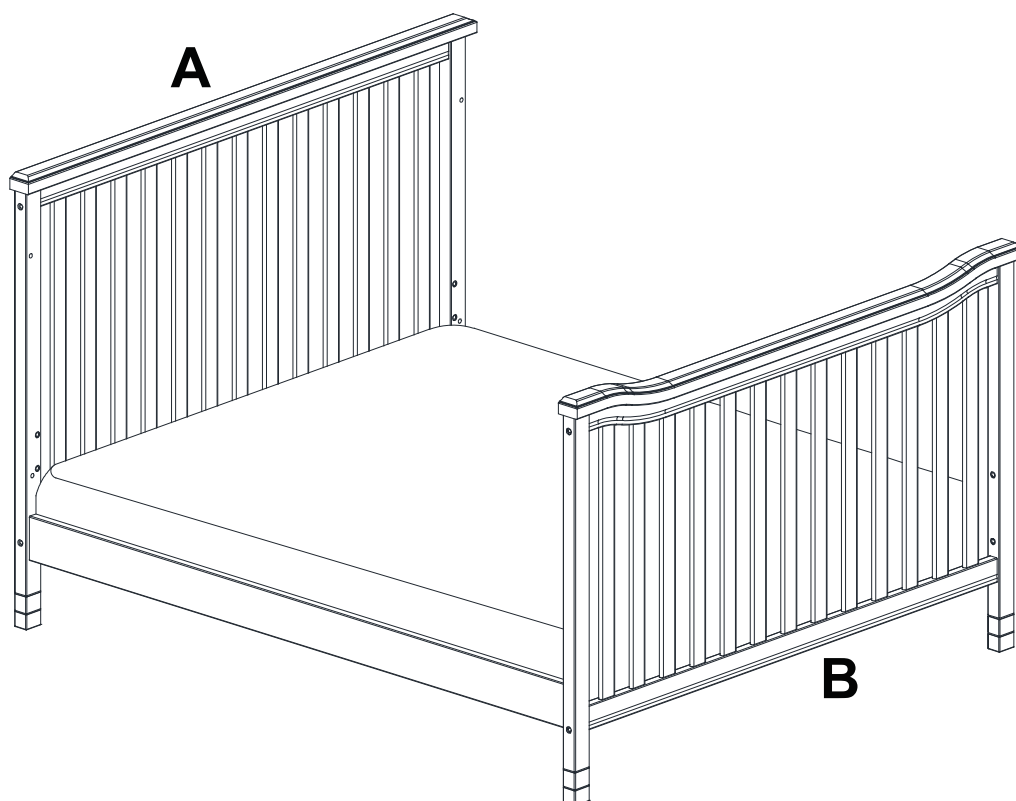
Fullsize Bed Assembly

7

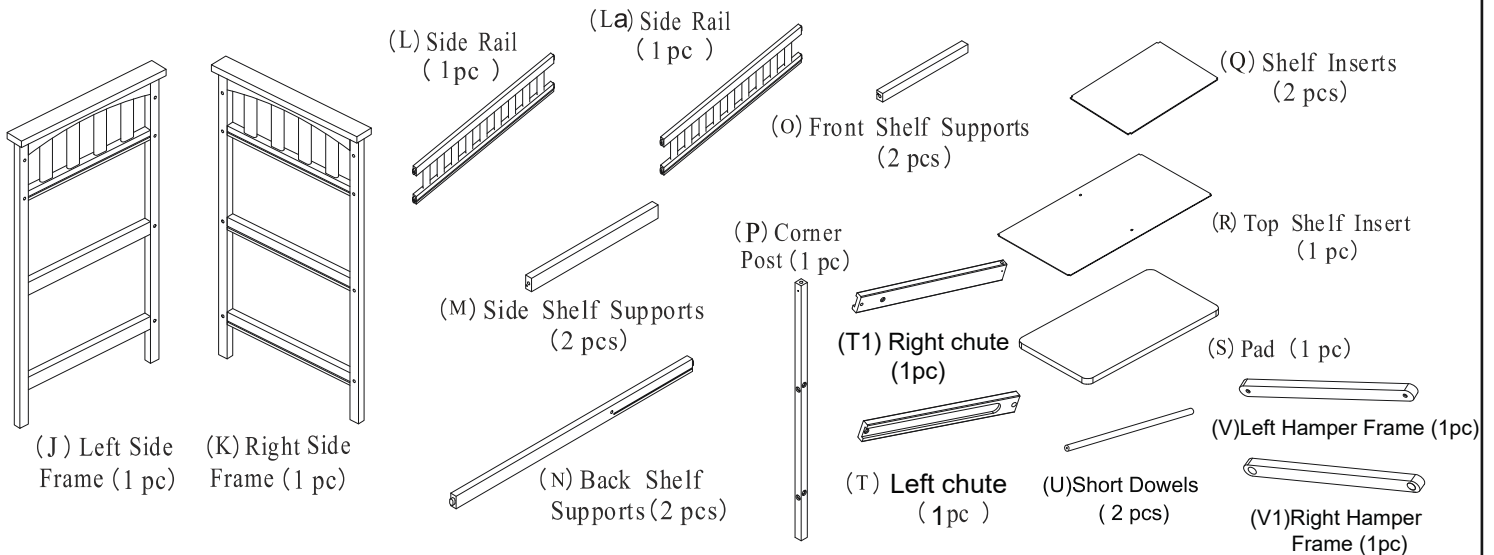


Fullsize Bed and Changer Table Conversion (Optional)

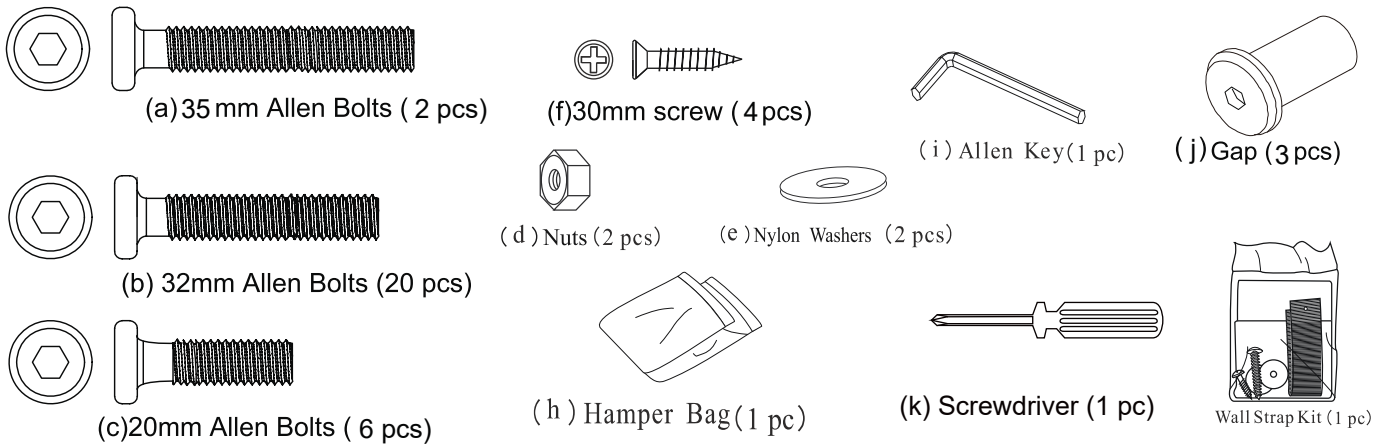
Follow all instructions supplied with the 221# Adult Rail System. **NOTE:** 221# Adult Rail System is not included. Please see your crib retailer, visit www.sorellefurniture.com or contact C&T International / Sorelle for more information.



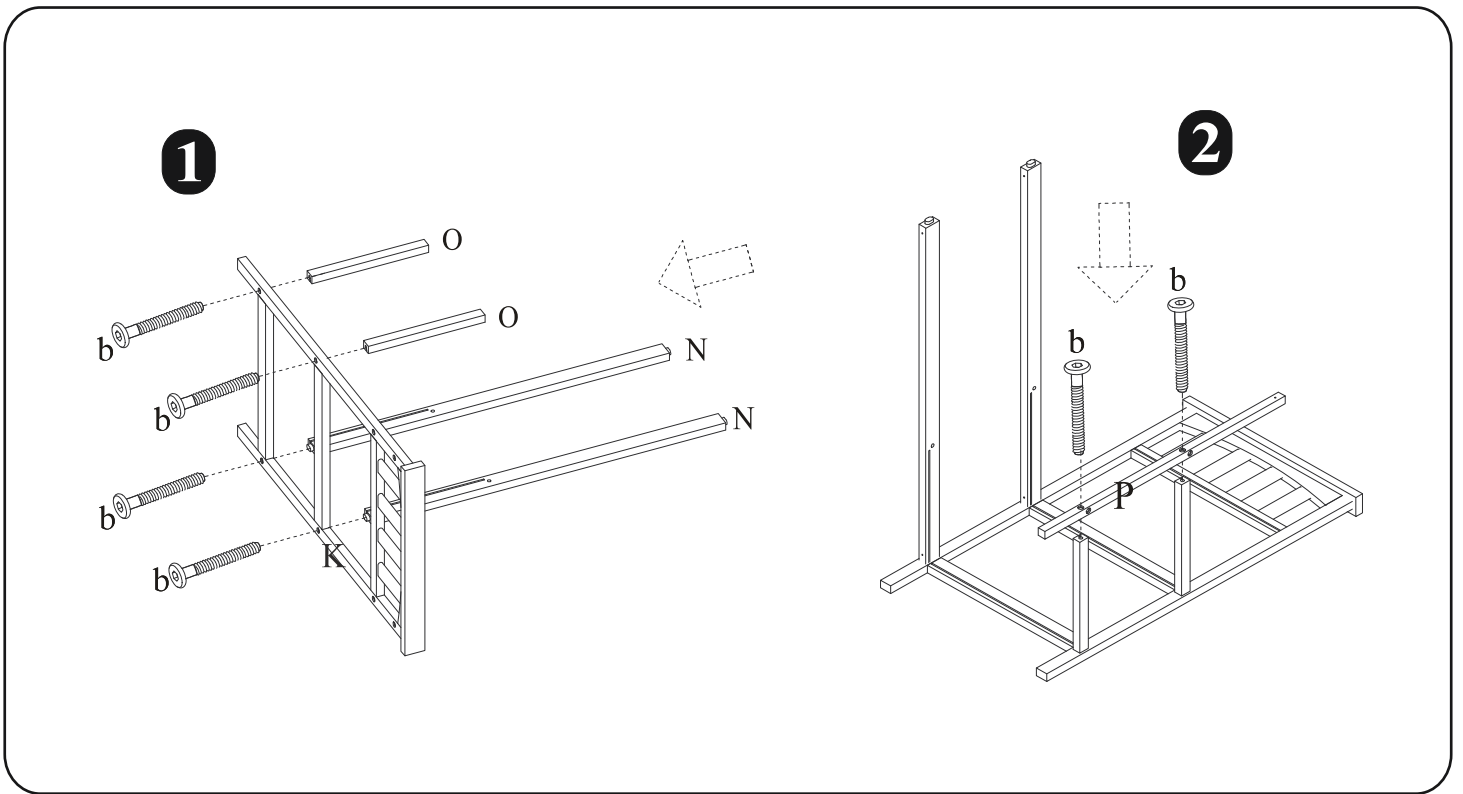
Changer Assembly Parts



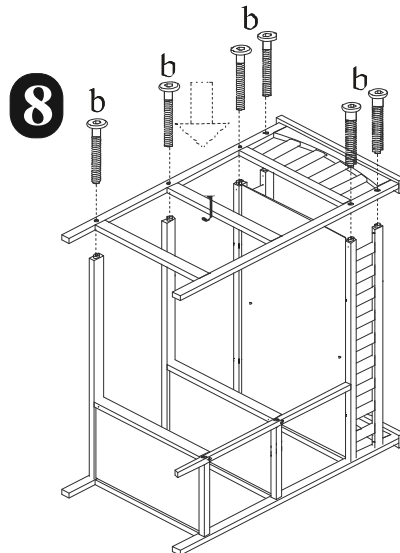
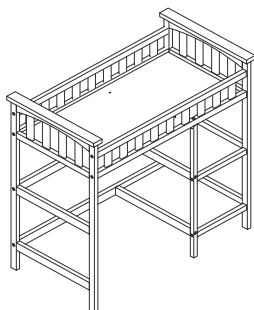
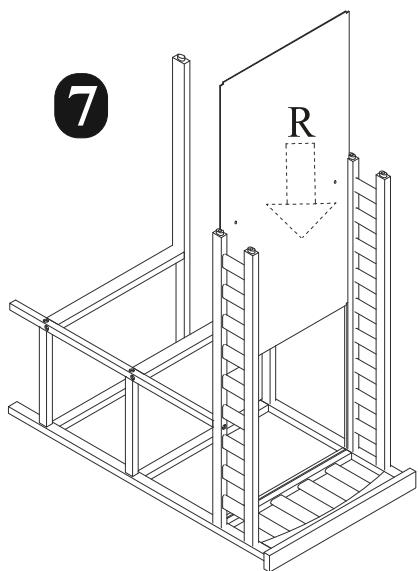
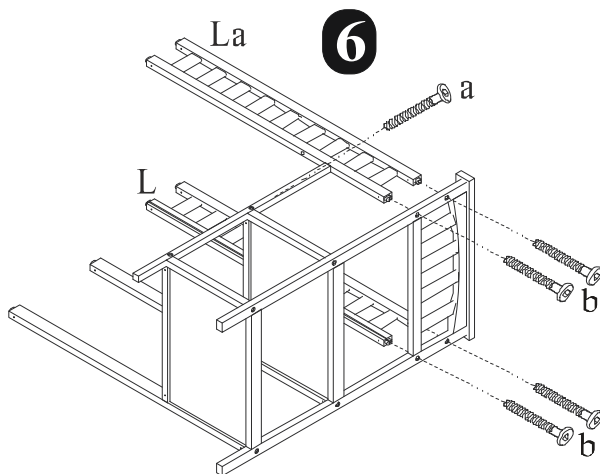
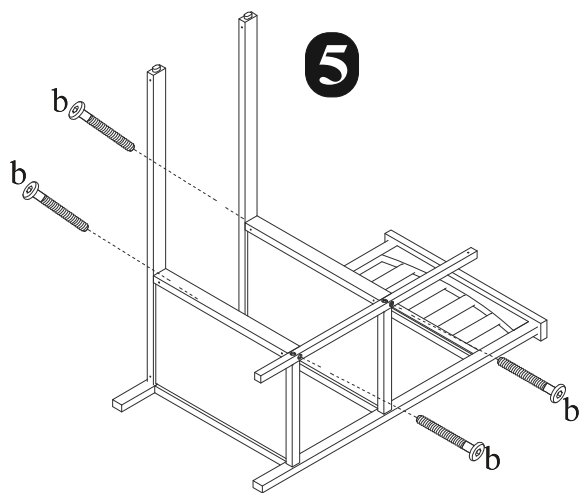
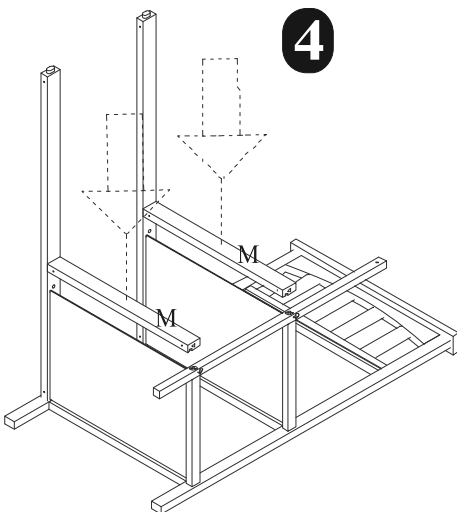
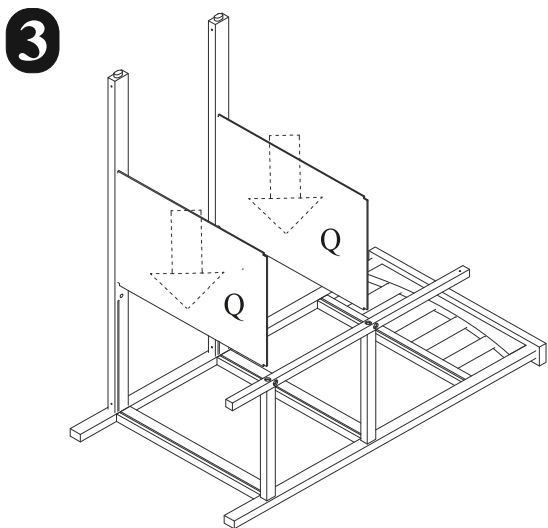
Assembly Hardware Set



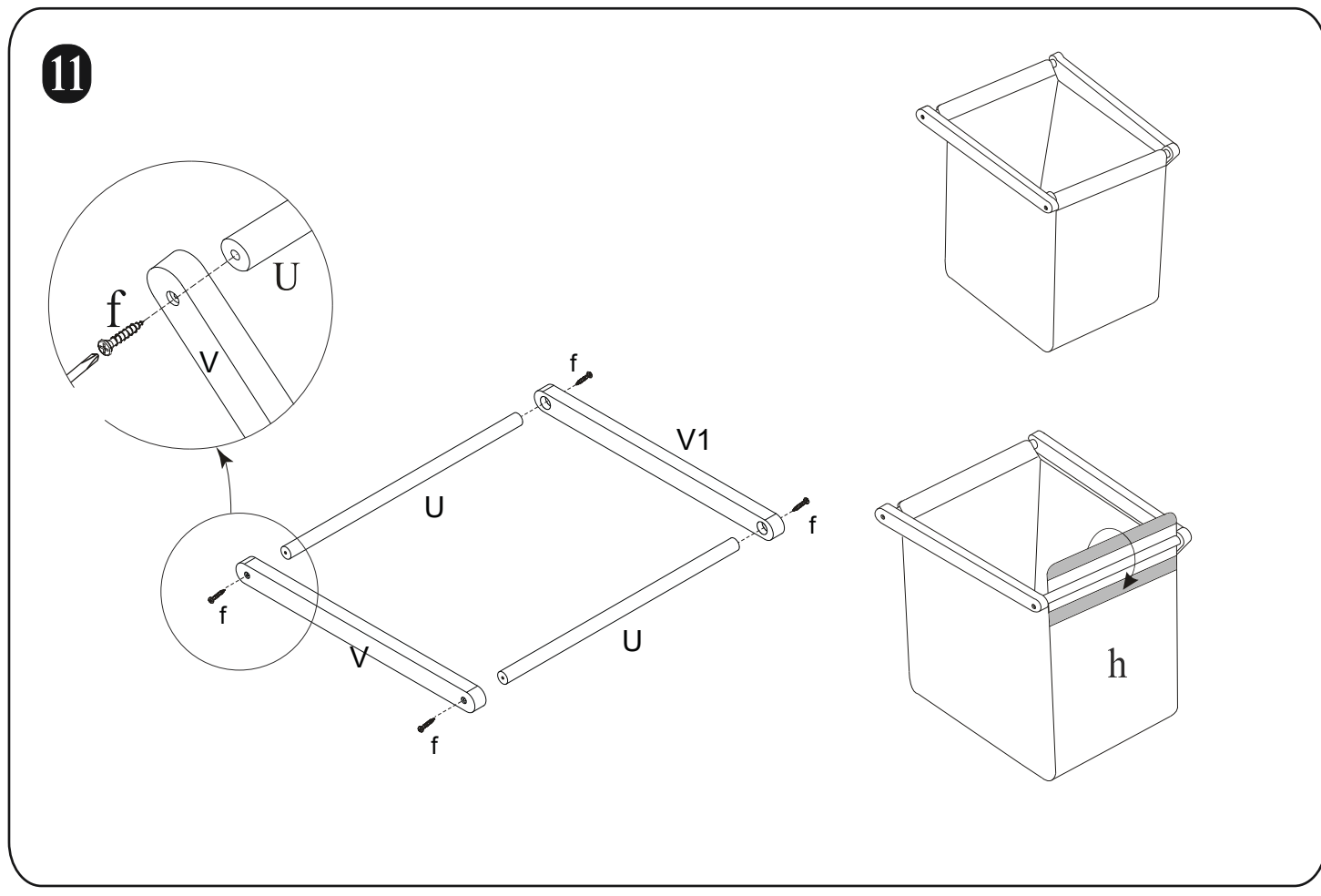
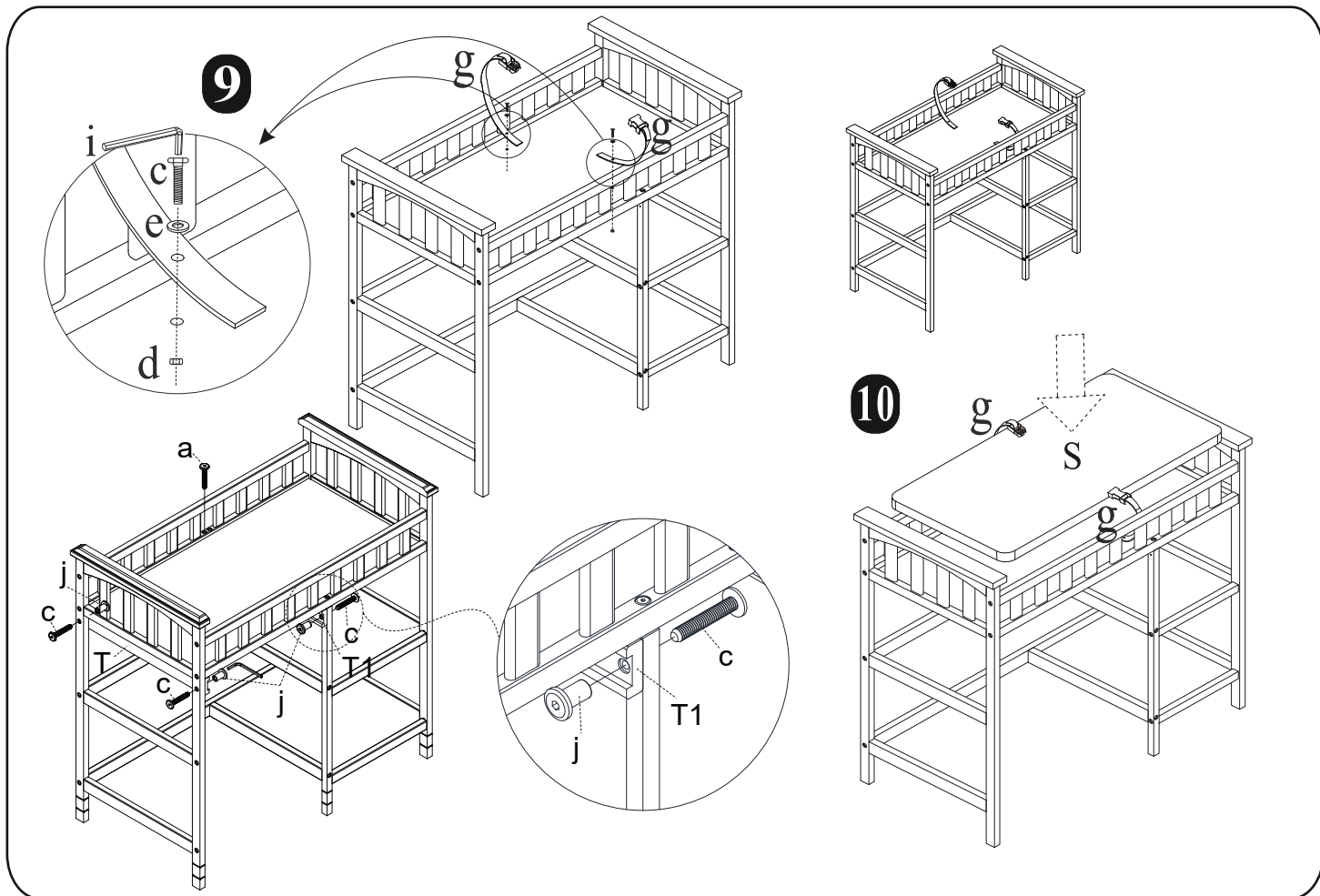
Changer Assembly



Changer Assembly

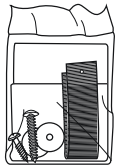
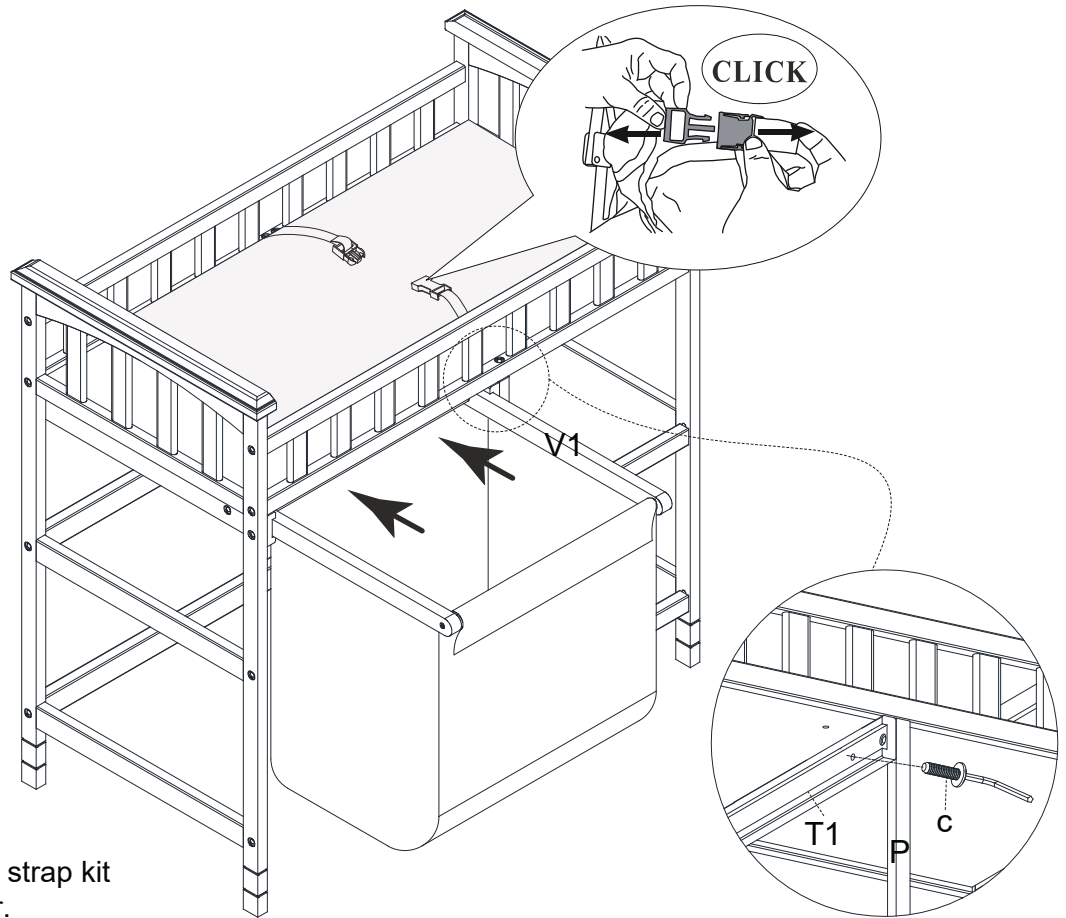


Changer Assembly



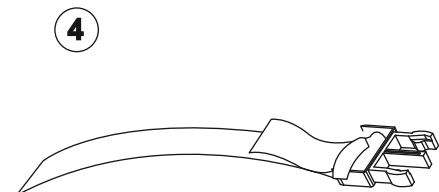
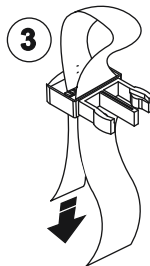
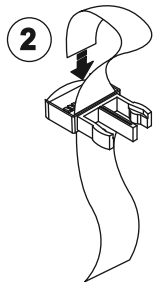
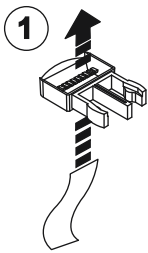
Changer Assembly

12



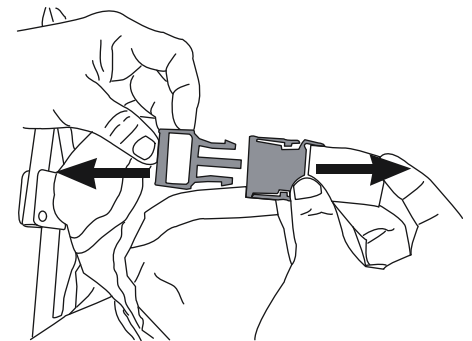
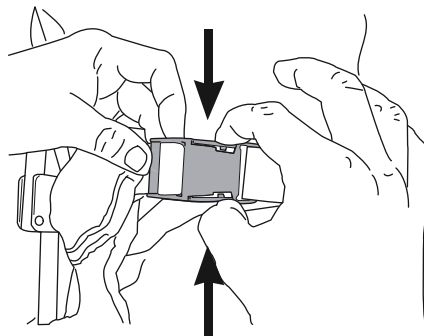
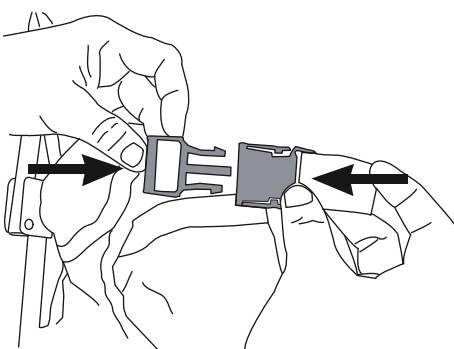
Wall Strap Kit (1 pc)

Noted: Please use wall strap kit before use the changer.

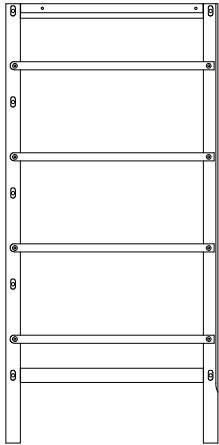


TO FASTEN STRAP—PUT BUCKLE SIDE TOGETHER—
 BE SURE BUCKLE IS FULLY FASTENED TO
 SECURE CHILD SAFELY

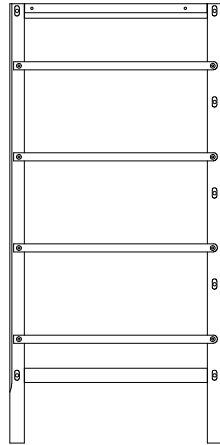
TO RELEASE PRESS BOTH TABS AND PULL APART



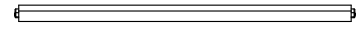
Clothing Organizer Parts



(1) Left End Frame (1pc)



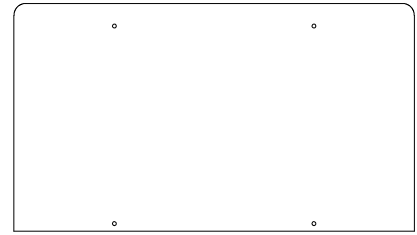
(2) Right End Frame (1pc)



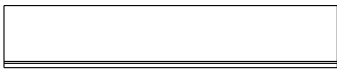
(3) Drawer Support Bars (5pcs)



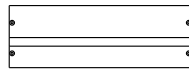
(4) Dresser Top Support Bar (2pc)



(5) Top Panel (1pc)



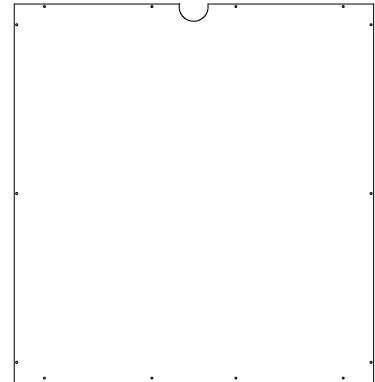
(7) Drawer Back Panels (4pcs)



(10) Drawer Side Panels (8pcs)



(8) Drawer Front Panels (4pcs)

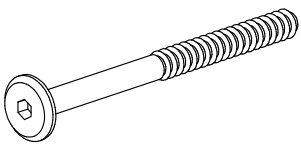


(6) Back Panel (1pc)

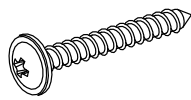


(9) Drawer Bottom Panels (4pcs)

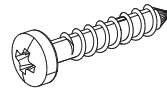
Assembly Hardware Set



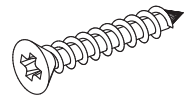
(A) 70mm Allen Bolts (14pcs)



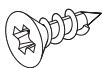
(B) 30mm Screws (10pcs)



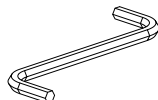
(C) 25mm Screws (40pcs)



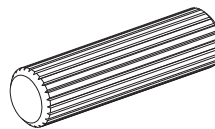
(D) 25mm Screws (2pcs)



(E) 16mm Screws (30pcs)



(F) Allen Key (1pc)



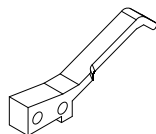
(G) 30mm Wooden Dowel (4pcs)



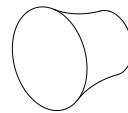
(H) Cam (14pcs)



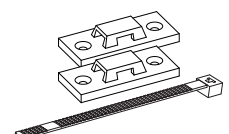
(I) Plastic Feet (4pcs)



(J) Drawer Stopper (8pcs)



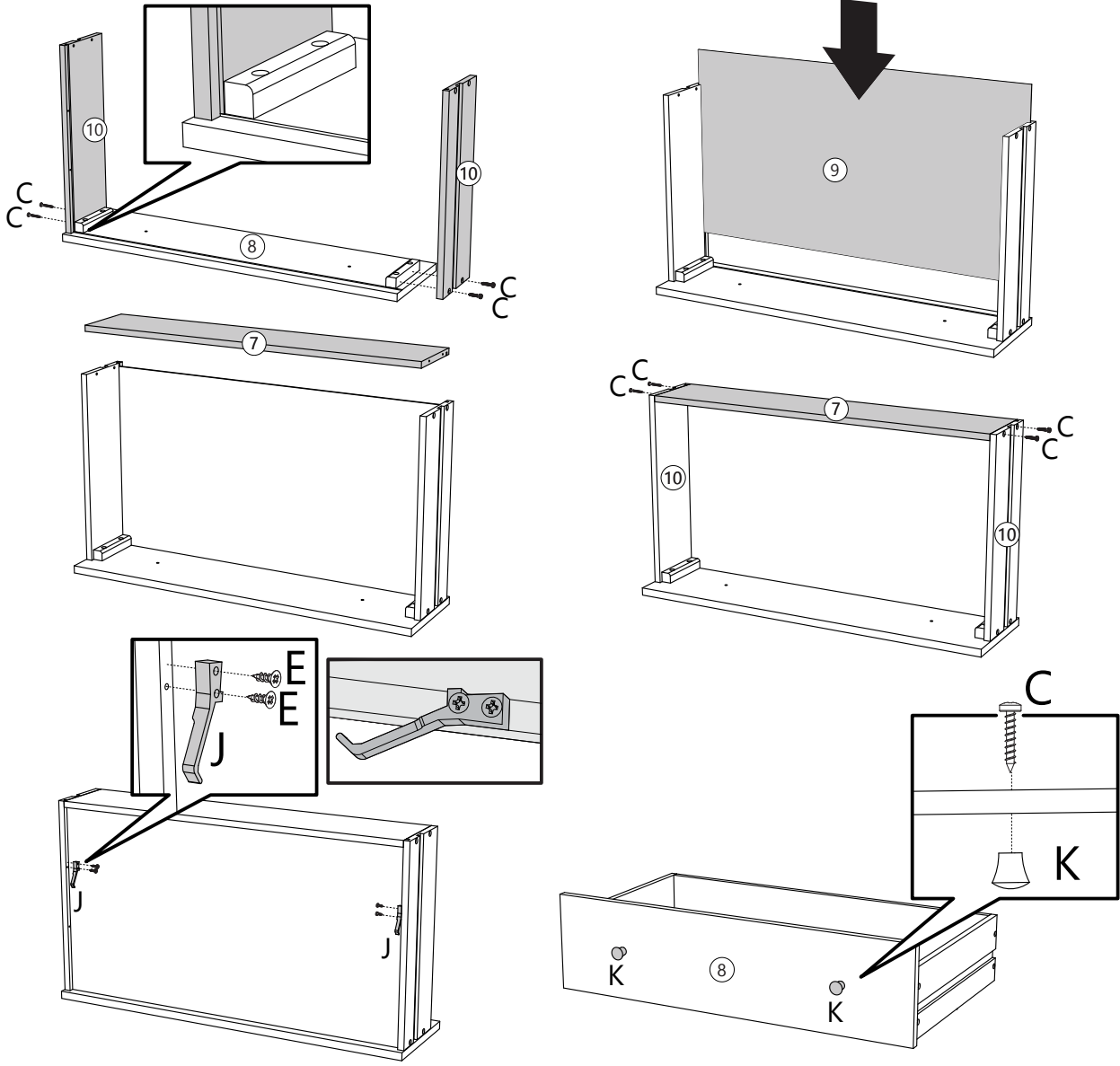
(K) Handle (8pcs)



(L) Tip-over (1pc)

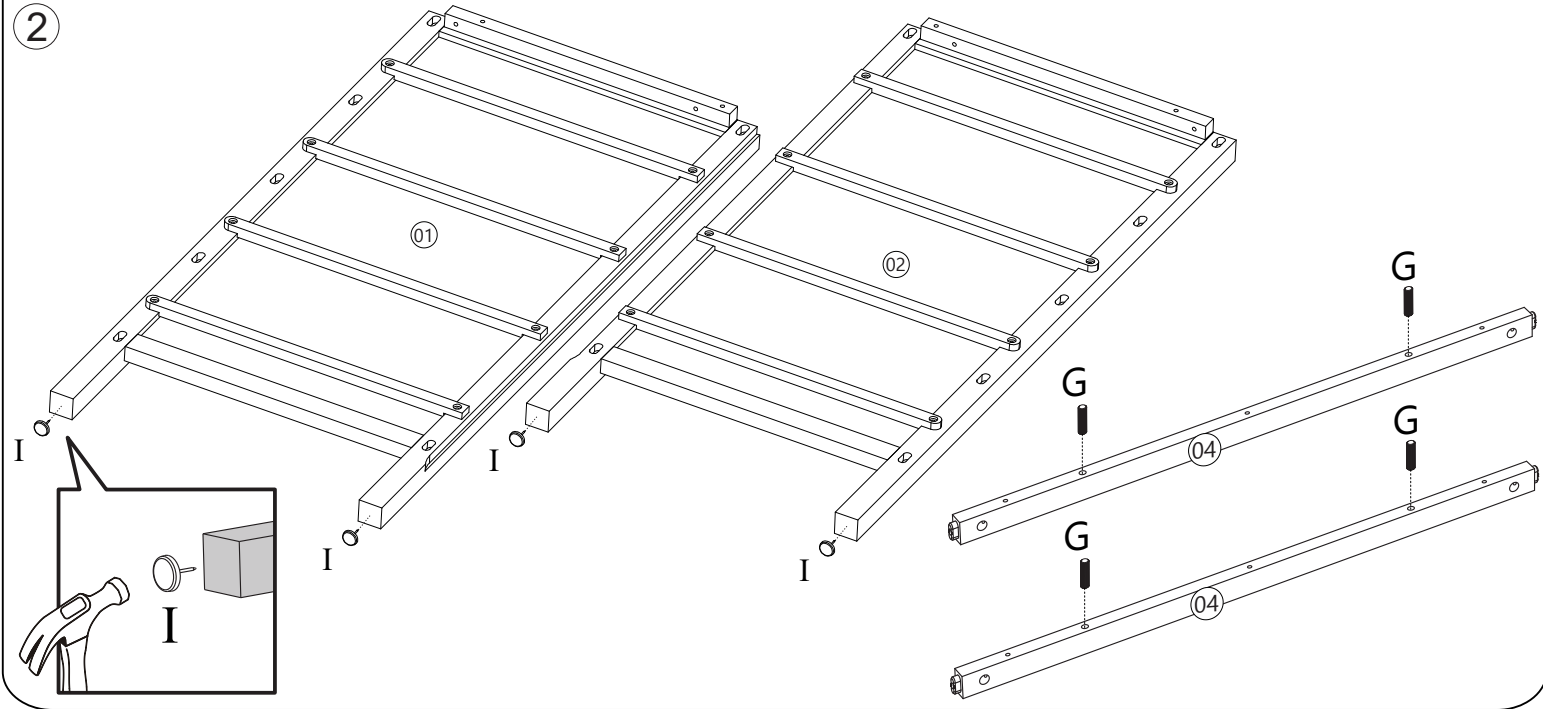
Drawer Assembly

1



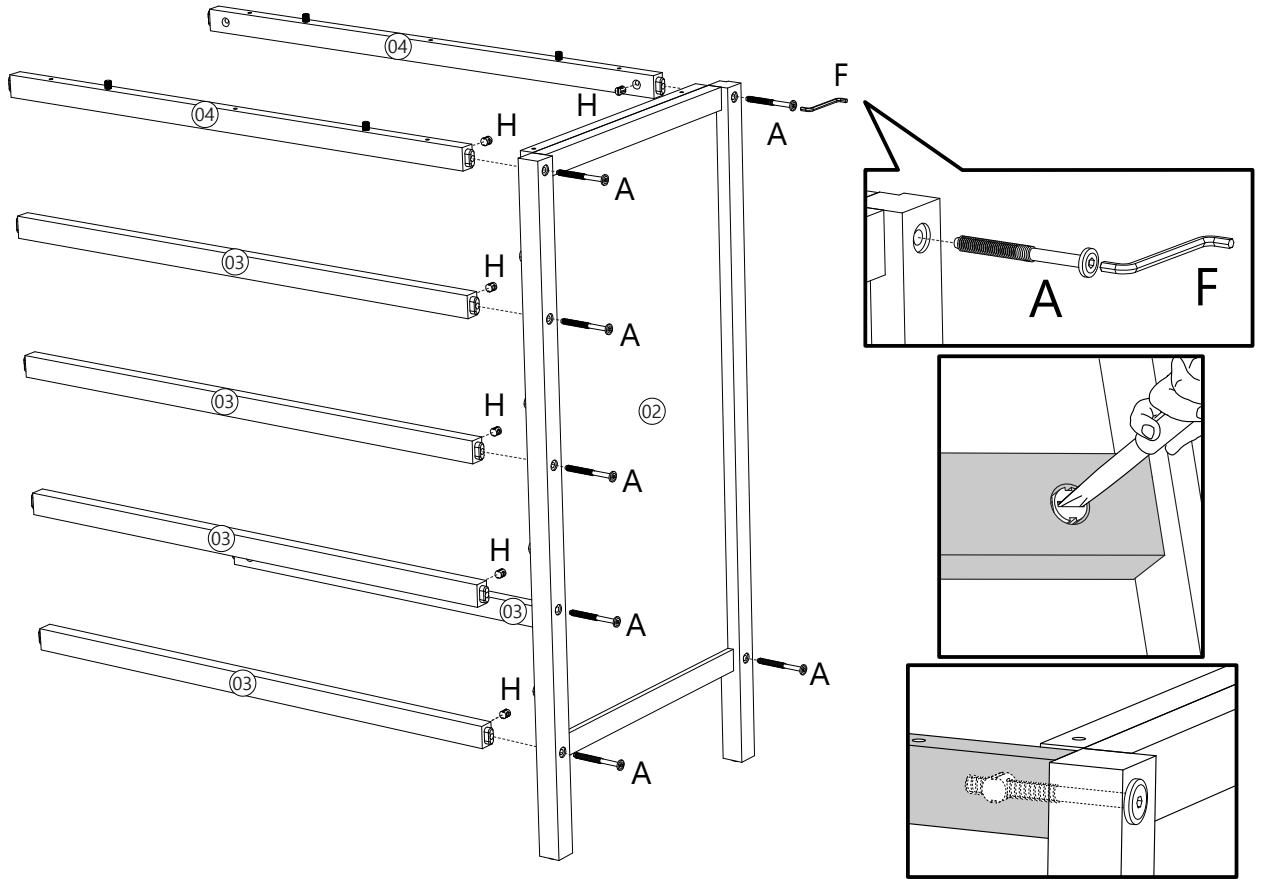
Clothing Organizer Assembly

2

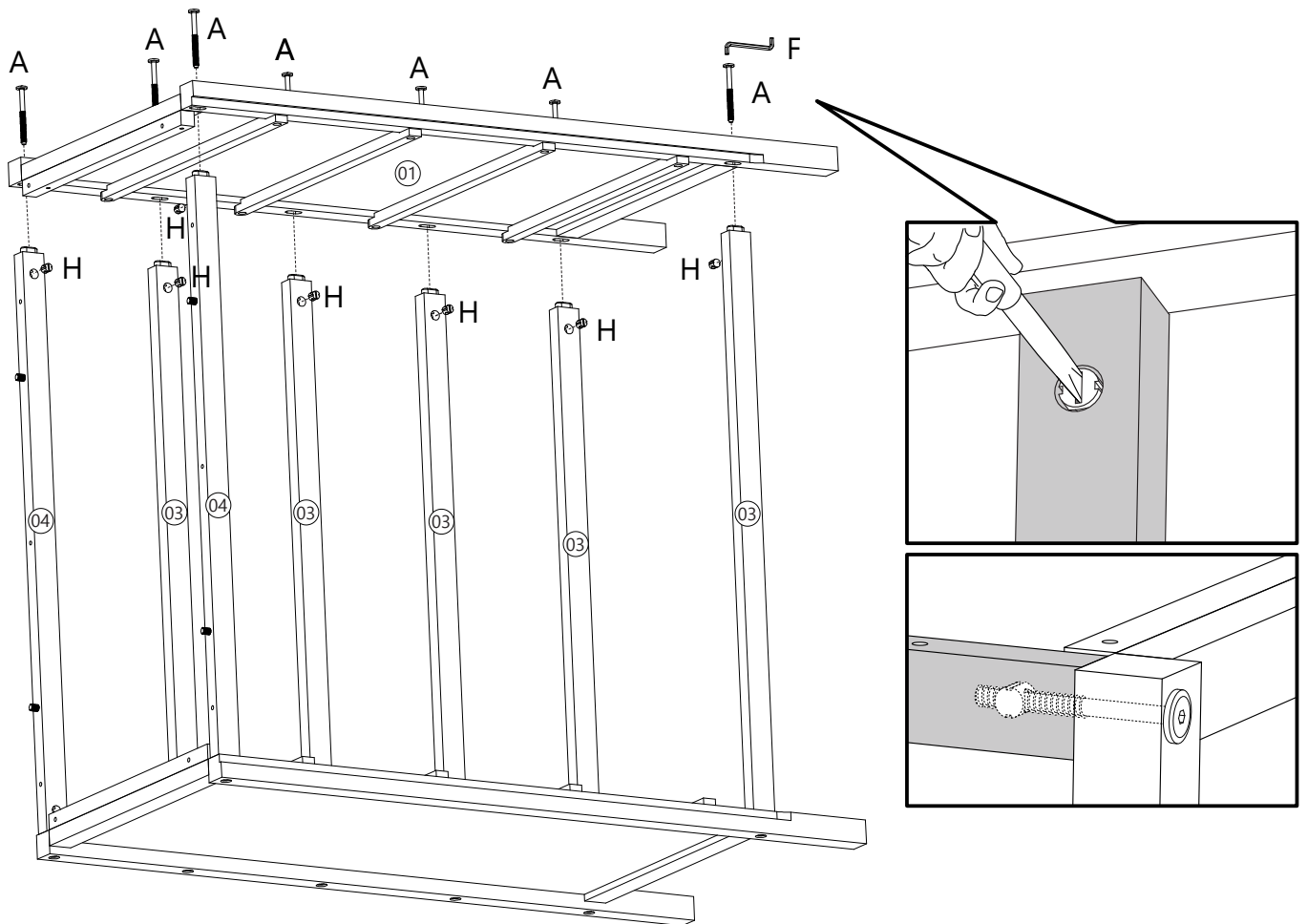


Clothing Organizer Assembly

3

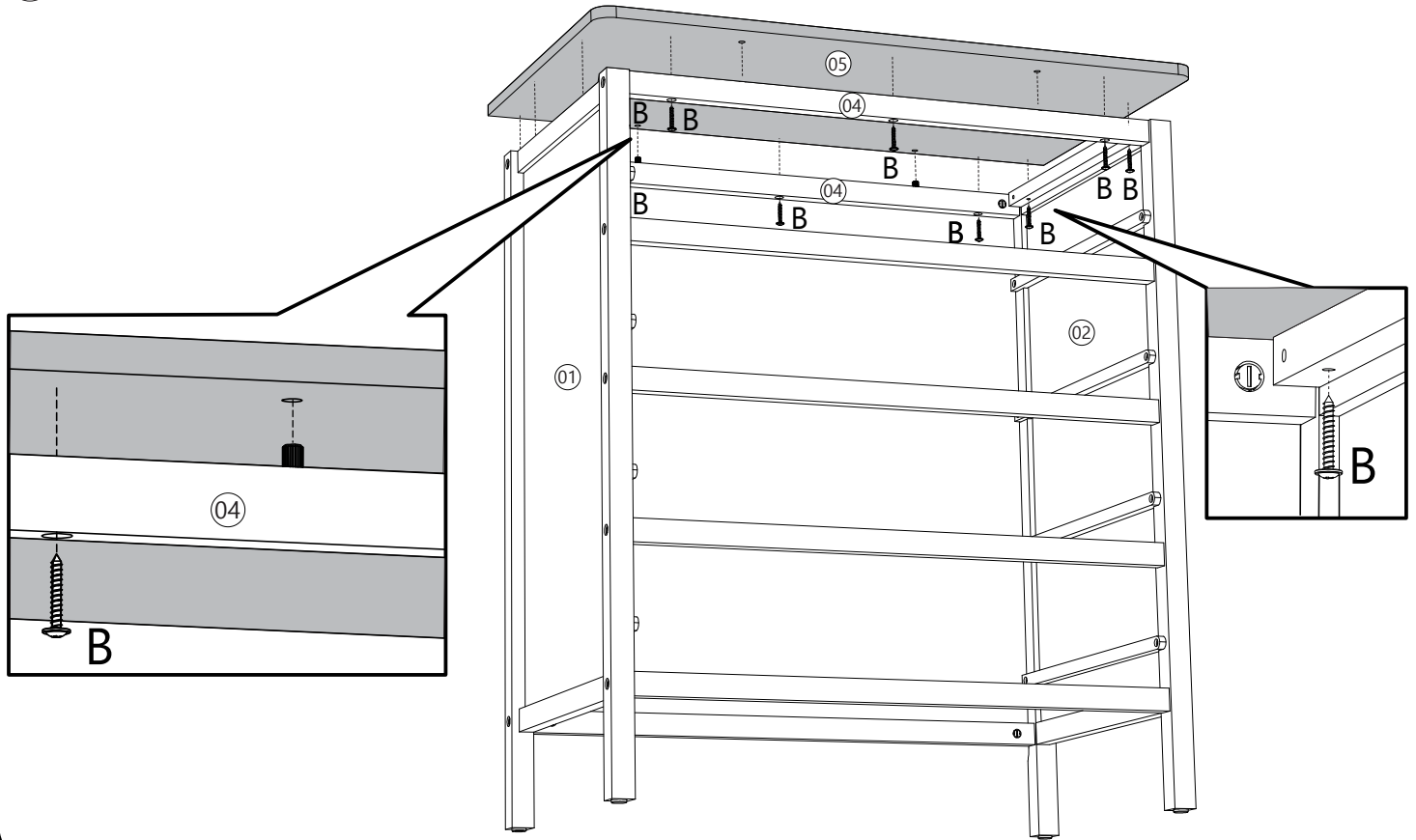


4

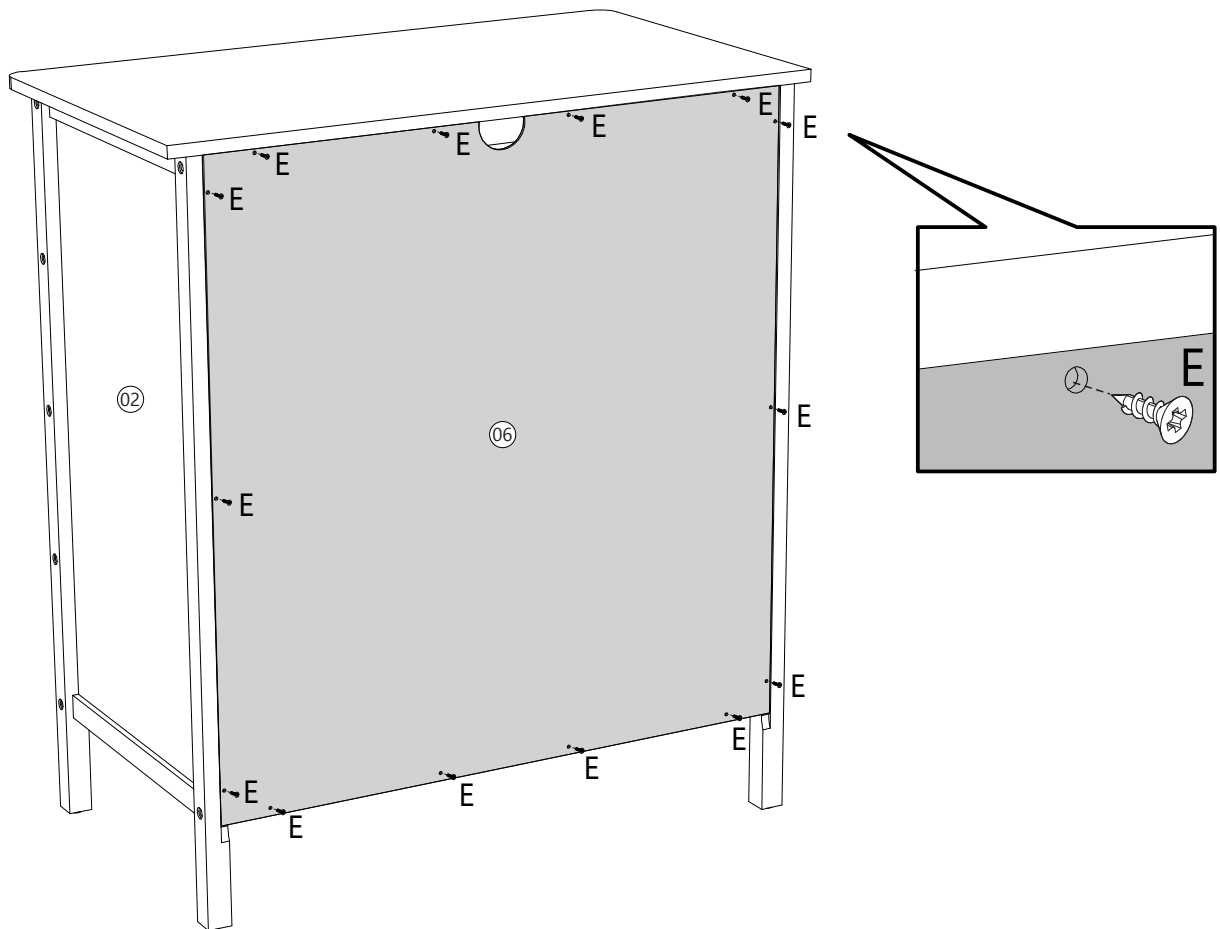


Clothing Organizer Assembly

5



6



Clothing Organizer Assembly

7

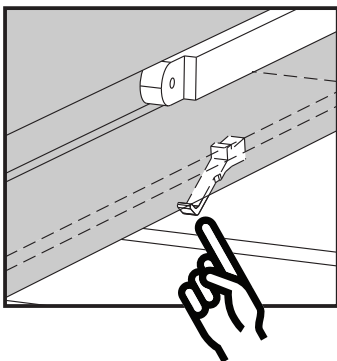
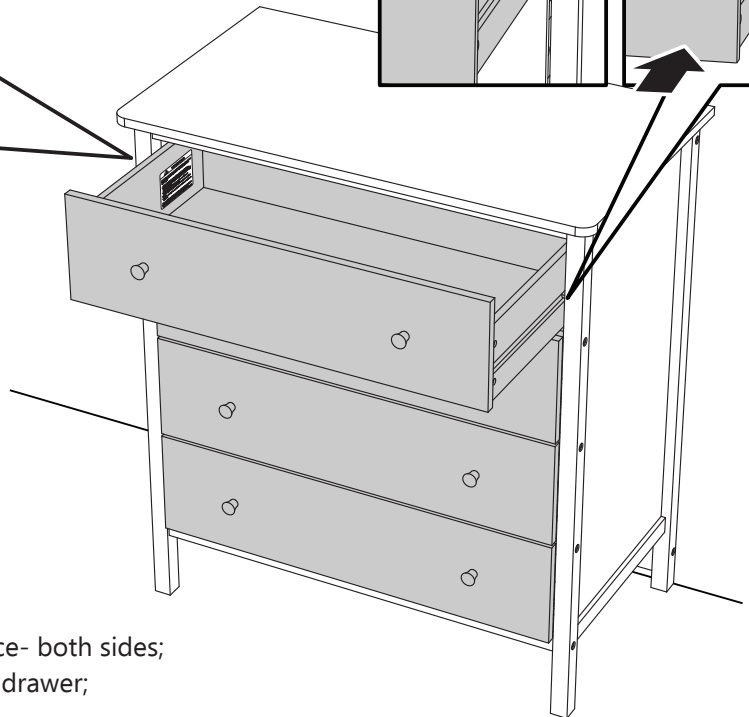
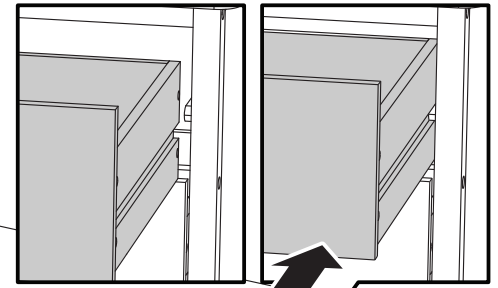


WARNING

Serious or fatal crushing injuries can occur from furniture tip-over. To help prevent tip-over:

- Place heaviest item in the lowest drawers.
- Unless specifically designed to accommodate, do not set TVs or other heavy objects on top of this product.
- Never allow children to climb or hang on drawers, doors, or shelves.
- Never open more than one drawer at a time.
- (OR)
- Do not defeat or remove the drawer interlock system.

Use of tip-over restraints may only reduce, but not eliminate, the risk of tip-over.
This is permanent label. Do not attempt to remove.



To remove the drawer:

- 1- Open the drawer;
- 2- Press the plastic device- both sides;
- 3- Carefully pull out the drawer;

8

To secure the unit to the wall use Screw (D) and the fixing plastic (L). Screw the fixing plastic to back of unit as shown and the other to the wall using a fixing appropriate to the wall construction, then connect the two fixing plastic with the plastic strap (L).

