



<i>EAN code</i>	<i>8034122364346</i>
<i>Model Code</i>	<i>FIDAN28B6SS-3 Built-in 28" (70 cm) - 600 CFM</i>
<i>Collection</i>	<i>Design</i>

FEATURES AND PROPERTIES

<i>Materials/Finishes</i>	<i>Scotch brite stainless steel</i>
<i>Lighting</i>	<i>Led 2x1,2 W - 3200 K LED light</i>
<i>Control</i>	<i>Knob control</i>
<i>Installation type</i>	<i>Insert</i>
<i>Ducting type</i>	<i>External ducting/Recirculating</i>
<i>Filters</i>	<i>Baffle filter, removable and dishwasher safe Charcoal filter (optional)</i>
<i>Dimensions</i>	<i>28 in</i>

OPTIONAL ACCESSORIES

<i>Code</i>	<i>Description</i>
KACL.815	Protective cleaning cloths for stainless steel (box 10 pcs)
103050091	FFCHAR3C0BL - Round charcoal filter Ø 6" - Type 6

ELECTRICAL CONNECTION AND CONSUMPTION

<i>Maximum consumption</i>	<i>340W</i>
<i>Voltage/Frequency</i>	<i>110-120V 60Hz</i>

ELECTRICAL CONNECTION AND CONSUMPTION

Connection type *Hood comes standard with Nema 5-15P power cord*

BLOWER PERFORMANCE

Motor *600 CFM*

TECNICAL SPECS OF COOKERHOOD WITH 600 CFM MOTOR

Motor Speed	1	2	3	4
CFM (rated at the motor)	210	295	395	600
Sones (estimated value)	1.5	3	4.25	6
Duct Size	6"	6"	6"	6"

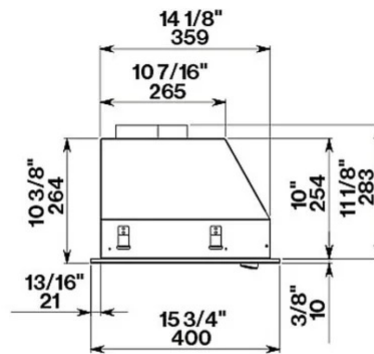
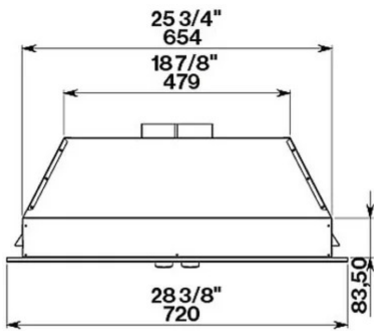
WEIGHTS AND DIMENSIONS

Gross weight *36 lbs*

Net weight *29 lbs*

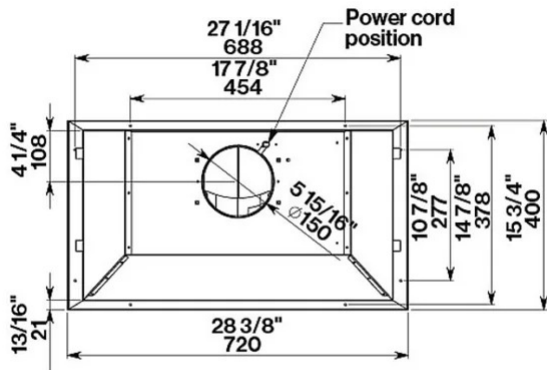
Packaging dimensions *L 32 in H 15 in D 19 in*

Notes *Recommended mounting height from cooking surface to hood bottom: 24" - 35"*



Frontal view

Side view



Top view