

dacor

User Manual

Warming Drawer

DWR30U900WP/DA
DWR30U900WS/DA
DWR30U900WM/DA



To Our Valued Customer:

Congratulations on your purchase of the very latest in Dacor products! Our unique combination of features, style, and performance make us a great addition to your home.

To familiarize yourself with the controls, functions, and full potential of your new Dacor warming drawer, read this manual thoroughly, starting with **Before you start**.

Dacor appliances are designed and manufactured with quality and pride, while working within the framework of our company values. Should you ever have an issue with your warming drawer, first consult **Troubleshooting**, where you will find suggestions and remedies that may pre-empt a service call.

Valuable customer input helps us continually improve our products and services, so feel free to contact our Customer Assurance Team for assistance with all your product-support needs.

- **USA**
Samsung Electronics America, Inc.
85 Challenger Road
Ridgefield Park, NJ 07660
- **Canada**
Samsung Electronics Canada Inc.
2050 Derry Road West, Mississauga,
Ontario L5N 0B9 Canada

Telephone: 833-353-5483(USA), 844-509-4659(Canada)

Hours of Operation: Mon - Fri, 8:00 a.m. to 8:00 p.m. Pacific Time

Website: www.dacor.com

Thanks for choosing Dacor for your home. We are a company built by families for families, and we are dedicated to serving yours. We are confident that your new Dacor warming drawer will deliver top-level performance and enjoyment for decades to come.

Sincerely,

The Dacor Customer Assurance Team

Contents

Important safety information	3
California Proposition 65 Warning	4
General safety	5
Overview	6
Layout	6
Control panels and displays	6
Before you start	7
Preheating	7
Using the Warming drawer	7
Operation	7
Using the Sabbath feature	8
Warming Serving Containers	8
Maintenance	9
Control Panel	9
Drawer Handle	9
Glass Surfaces	9
Brass and Chrome Surfaces	9
Painted Surfaces	9
Gasket	9
Drawer Slides	9
Rack	9
Removing the Drawer	10
Re-installing the Drawer	10
Troubleshooting	11
Troubleshooting	11
Warranty and Service	11
Getting Help	11
Warranty	12

Important safety information

INSTALLER: LEAVE THESE INSTRUCTIONS WITH THE APPLIANCE.

CUSTOMER: READ THIS USE AND CARE MANUAL COMPLETELY BEFORE USING YOUR WARMING DRAWER. SAVE IT FOR FUTURE REFERENCE. IT CONTAINS IMPORTANT USE AND CARE INFORMATION.

For service and warranty information see page 11.

If you have any questions (other than warranty questions), call:

Dacor Customer Service

833-353-5483(USA), 844-509-4659(Canada)

Monday – Friday 8:00 a.m. to 8:00 p.m. Pacific Time

Website: www.dacor.com

When you call, have the complete model and serial number for your appliance available. See page 6 for label location. Write these numbers below for future reference.

Model Name _____

Serial Number _____

Date of purchase _____

Since Dacor continuously improves the quality and performance of our products, we may need to make changes to the appliance without updating this manual. Visit www.dacor.com to download the latest version of this manual.

READ ALL INSTRUCTIONS BEFORE USING THIS APPLIANCE

The **Important safety information** and warnings in this manual can not cover all possible problems and conditions that can occur. Use common sense and caution when installing, maintaining or operating this appliance.

Symbols used in this manual

DANGER

Immediate hazards that **WILL** result in severe personal injury or death.

WARNING

Hazards or unsafe practices that may result in **severe personal injury or death**.

CAUTION

Hazards or unsafe practices that may result in **minor personal injury or property damage**.

NOTE

Useful tips and instructions.

These warning icons and symbols are here to prevent injury to you and others. Please follow them explicitly. After reading this section, keep it in a safe place for future reference.

Important safety information

California Proposition 65 Warning

⚠️ WARNING

Cancer and Reproductive Harm - www.P65Warnings.ca.gov.

⚠️ DANGER

IMPORTANT: To avoid the possibility of explosion or fire, do not store or use flammable or explosive vapors and liquids (such as gasoline) inside or in the vicinity of this or any other appliance. Keep items that could explode, such as aerosol cans away from the appliance.

DO NOT store flammable or explosive materials in adjacent cabinets or areas.

⚠️ WARNING

NEVER use this appliance as a space heater to heat or warm the room.

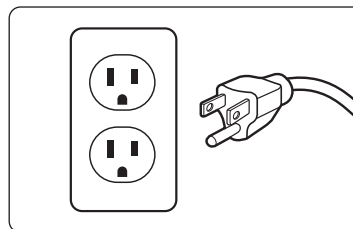
⚠️ WARNING

DO NOT use water on grease fires – smother fire or flame or use dry chemical or foam-type extinguisher.

⚠️ WARNING

IMPORTANT: This appliance is equipped with a three prong grounding electric plug for protection against possible electric shock hazards. It must be plugged into a dedicated, grounded, electrical outlet. If only a two prong electrical outlet is available, it is the responsibility of the customer to have it replaced with a dedicated, properly grounded three prong electrical outlet.

To avoid an electric shock hazard, do not under any circumstances:



- Cut or remove the third (ground) prong from the power cord.
- Use an adapter plug.
- Use a power cord that is frayed or damaged.
- Immerse the power cord or plug in water or other liquid.
- Connect the appliance to an extension cord.

📄 NOTE

Use of a ground fault interrupter (GFI) is not recommended.

General safety

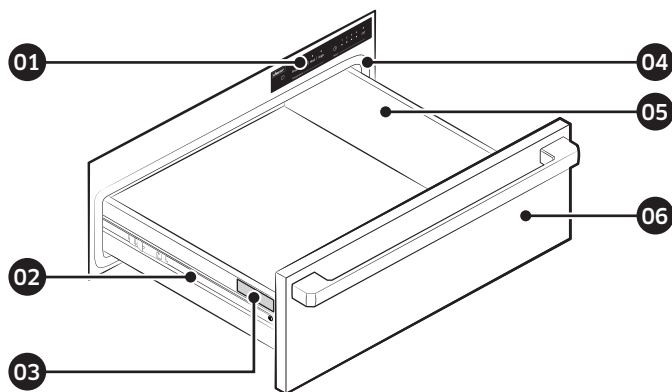
WARNING

To reduce the risk of fire, electric shock, personal injuries, and/or death, observe the following precautions.

- Read this manual completely before operating this appliance.
- Use this appliance only for its intended use as described in this manual. Use it only to warm food and heat plates and utensils. It is not designed for commercial, industrial or laboratory use.
- **DO NOT** install or operate a product that is damaged, has a damaged power cord or plug, or is malfunctioning in any manner. Return the appliance to the nearest authorized service facility for examination, repair or adjustment.
- Make sure that this appliance has been properly installed and grounded by a qualified installer according to the accompanying installation instructions. Have the installer show you the location of the electrical outlet so that you know where to disconnect power to the appliance.
- **DO NOT** repair or replace any part of the warming drawer unless specifically recommended in the literature accompanying it. All other service should be done by a qualified technician.
- Use of accessory attachments not recommended by the appliance manufacturer may cause injuries.
- Before cleaning or performing any type of service, make sure that the power plug is disconnected from the electrical outlet and that the unit is cool.
- Keep the electrical cord away from heated surfaces.
- **DO NOT TOUCH ANY HOT SURFACES IN OR ON THE WARMING DRAWER DURING OR IMMEDIATELY AFTER USE.** Use the handle instead. After use, make sure these surfaces have had sufficient time to cool before touching them. Heating elements may be hot, even though they are dark in color.
- To reduce the risk of fire in the warming drawer, do not overcook food. **DO NOT** leave it unattended with paper, plastic or other combustible materials inside.
- **DO NOT** leave door open for a long time when the warming drawer is on. Keep door closed unless necessary for cooking or cleaning purposes.
- **DO NOT** use outdoors.
- To avoid the possibility of fire or burns, do not allow clothing, pot holders, towels or rags to come into contact with any part of the warming drawer during and immediately after use. **DO NOT** wear loose or hanging apparel while using this appliance.
- If materials inside the warming drawer should ignite, keep the drawer closed and shut off the power at the circuit breaker panel or fuse box.
- Exercise caution when opening the drawer. Let hot air or steam escape before looking or reaching into the warming drawer.
- Use only dry pot holders when removing food and cookware from the warming drawer. Wet pot holders can cause steam burns.
- **DO NOT** put items like whole eggs, sealed containers or closed glass jars in the warming drawer. They may explode when heated, causing injury.
- **DO NOT** place more than 50 pounds in the drawer.
- Properly clean and maintain the unit regularly as instructed in this manual. Clean only those parts listed in this manual, in the manner specified.
- **DO NOT** use abrasive scrubbers or abrasive/caustic cleaners or detergents on this appliance. They may permanently damage the finishes. **DO NOT** use aerosol cleaners, because they may be flammable or cause corrosion of metal parts.
- Clean the appliance thoroughly before operating it for the first time.
- Make sure the warming drawer is used only by those individuals who are able to operate it properly.
- **DO NOT** tamper with the controls.
- Preheat the warming drawer before use.
- **NEVER** allow anyone, including children to sit, stand or climb on any part of the appliance, including the drawer. Doing so may cause tipping, damage, serious injury or death.
- **DO NOT** leave children alone or unattended in the area around the appliance. **DO NOT** allow children to operate it, play with the controls, pull on the handle or touch other parts.
- **DO NOT** store items of interest to children above the warming drawer. Children could be burned or injured while climbing on the appliance.

Overview

Layout



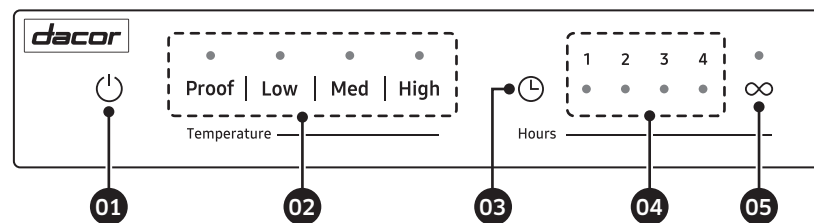
- 01** Control panel **02** Drawer slide **03** Product data label
(On the left external rail of
the drawer)
- 04** Gasket **05** Drawer **06** Drawer front*

* Style varies. Model DWR30U900WS, DWR30U900WM shown.

NOTE

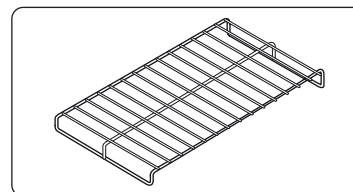
- Minimum ambient operating temperature: 32 °F (0 °C)
- Drawer capacity: 50 pounds

Control panels and displays

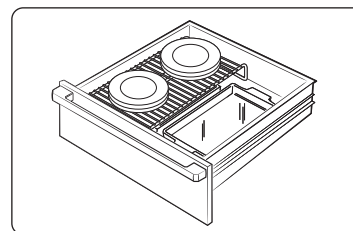


- 01** Power button **02** Temperature button **03** Hour Select button
04 Hours display **05** Continuous button

Rack



- Insert the rack in drawer.
- Preheat with the rack in place.
- Use the rack for double stacking of dishes.



- Double stacking items with the rack in position.

Before you start

WARNING

- When the warming drawer is on in continuous mode (∞), it will remain on until turned off manually. To avoid a fire hazard or burns, exercise caution when operating the unit in continuous mode.
- Food safety is an important consideration when using a warming drawer. In the **Proof** and **Low** temperature settings, bacteria growth may occur. Use the **Med** and **High** settings if holding certain foods for more than two to three hours.
- Please check with the manufacturer of the dishes for their maximum heat tolerance.
- Dishes or plates may be very hot. Use pot holders or mitts when removing hot dishes.

Preheating

For best results, preheat your warming drawer for about 20 minutes before use. If you put hot food into a cool, confined area, any steam that is present will condense. If you preheat your warming drawer, there will be less chance of water due to condensation. Preheat times vary depending on the temperature setting.


Using the Warming drawer

Operation

The warming drawer will keep hot, cooked foods at serving temperature. Always start with hot foods. DO NOT use to heat cold foods other than proofing yeast dough, crisping crackers, chips, dry cereal, warming breads and biscuits, or warming dishes or plates.



The warming drawer is equipped with four temperature settings and a timer that can be set for one to four hours. The warming drawer can also be set for continuous operation. See the table on the next page for suggested settings for different foods.

To turn the unit on:

1. Push the **Power** () key.
2. Push the key for the desired temperature setting.

Setting	Temperature*
Proof	100 °F (38 °C)
Low	140 °F (60 °C)
Med	167 °F (75 °C)
High	194 °F (90 °C)

* Temperatures are approximate

3. Select the amount of time you want the warming drawer to be on: Push the **Hour Select** () key until the desired number of hours lights up on the control panel.
or
Push the **Continuous** (∞) key to keep the unit on constantly. After Hour select, the warming drawer will begin to heat.
4. Push the **Power** () key to turn the warming drawer off when done.

Using the Warming drawer

Using the Sabbath feature

This warming drawer is designed to allow for operation on the Jewish Sabbath or the Jewish Holidays.



For further assistance, guidelines for proper usage, and a complete list of models with the Sabbath feature, visit :
<http://www.star-k.org>.

Warming Serving Containers

To warm plates, and other serving containers:

- Place them carefully into the warming drawer and set the temperature to **Proof** or **Low**, depending upon your personal preference. Do not drag plates across the drawer. They may scratch the drawer surface.
- Before using any delicate dinnerware in the warming drawer, determine its maximum recommended usage temperature from the plate manufacturer. It is not necessary to preheat the warming drawer when warming serving dishes.
- You can also use plastic wrapping on plates to keep foods hot and moist.

Temperature Control Setting Guidelines

Food Items	Temperature Settings	Covered/Uncovered
Bacon	High	Uncovered
Beef - rare	Low	Covered
Bread - hard rolls	Low	Covered
Bread - proofing	Proof	Damp towel
Casseroles	Low	Uncovered
Dinner	Med	Uncovered
Eggs	Low	Covered
Fish / Seafood	Low	Covered
Fried food	High	Uncovered
Gravy, cream sauces	Low	Covered
Ham	Low	Covered
Lamb	Low	Covered
Pancakes	Low-Mid	Covered
Pies - single crust	Low	Uncovered
Pizza	Low-Mid	Covered
Potatoes - baked	High	Uncovered
Poultry	High	Covered
Vegetables	Low	Covered
Waffles - crisp	High	Uncovered

Maintenance

WARNING

- To prevent permanent damage to the appliance surfaces, do not use abrasive cleaners or scrubbers.
- Do not allow acids (citrus juices, tomato sauces, etc.) to remain on the warming drawer's surfaces. The finish may stain.
- Do not try to remove heavy spills with a sharp object such as a knife or metal spatula. Sharp objects may scratch the surfaces.
- Always wipe stainless steel surfaces in the direction of the grain.

Control Panel

Clean the control panel with a soft cloth soaked with a solution of mild detergent and hot water. Rinse and dry with a soft cloth. Exercise caution to avoid introduction of liquids into the area behind the control panel. Do not use abrasive cleaners or scrubbers. They may permanently damage the finish or scrape off the letters and graphics.

Drawer Handle

Clean the drawer handle with a solution of mild detergent and hot water. Rinse and dry with a soft cloth.

You may also use Dacor Stainless Steel Cleaner. It is available from your Dacor dealer. Use it according to the directions on the package.

Always wipe stainless steel surfaces in the direction of the grain.

Glass Surfaces

Clean all glass surfaces with a solution of mild detergent and hot water. You may also use a mild glass cleaner to remove fingerprints or smears. Dry completely with a soft, lint-free cloth.

Brass and Chrome Surfaces

Clean brass and chrome surfaces with a solution of mild detergent and warm water. Rinse, dry and polish with a soft, lint-free cloth.

You may also use Dacor Stainless Steel Cleaner. It is available from your Dacor dealer. Use it according to the directions on the package.

Painted Surfaces

For the front face of warming drawers with a painted finish, clean with a solution of mild detergent and hot water. Rinse and dry with a soft cloth. Do not use abrasive cleaners or scrubbers. They may permanently damage the finish.

Gasket

The gasket is located around the edge of the drawer opening, below the control panel.

Gently clean the gasket with a solution of mild detergent and hot water. Rinse and dry with a soft cloth. The gasket material is soft, so be careful not to crush or damage it. Damaging the gasket will cause a poor heat seal and result in poor warming drawer performance.

Drawer Slides

The warming drawer has slides positioned on each side of the drawer. They allow the drawer to slide in and out smoothly. Remove the drawer from the slides to make cleaning easy or to access the serial number plate. The drawer slides themselves do not require maintenance.

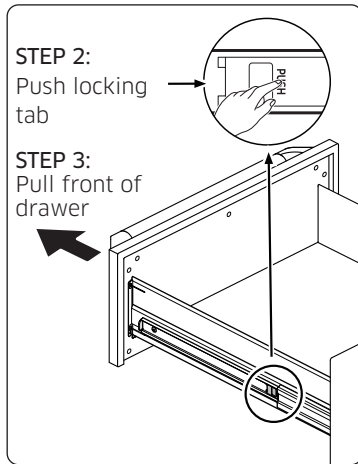
Rack

Clean the drawer rack with a solution of mild detergent and hot water. Rinse and dry with a soft cloth.

Maintenance

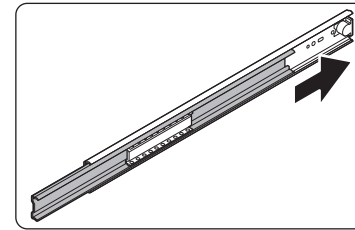
Removing the Drawer

Remove the drawer from the appliance to allow access to the mounting holes during installation, and to reduce weight:

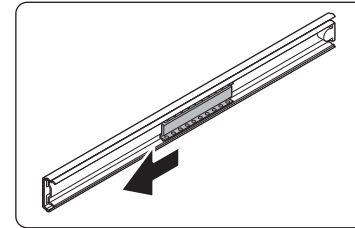


1. Pull the drawer out to a fully open position.
2. Push on the locking tab on both sides as you pull the drawer.
3. For safety, push both drawer slides into the drawer opening.

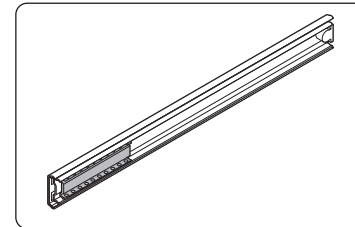
Re-installing the Drawer



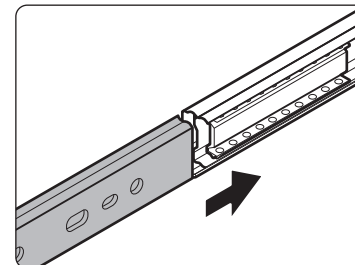
1. Push the rail until it reaches the end of the chassis.



2. Pull out the retainer to the front of the rail.



3. Slightly insert one side of the drawer's rail into the chassis rail.
4. Repeat the same process on the opposite side.
5. Gently open and close the drawer to make sure that it is properly installed.



Troubleshooting

Troubleshooting

Dacor works hard to ensure that you don't have problems with your new warming drawer. If you run into unexpected trouble, look first for a solution in the table below. If you're still having trouble after trying the suggested solution, call Dacor Contact Center at 833-353-5483.

Problem	Possible cause	Solution
Nothing works.	Power plug disconnected.	Plug the warming drawer into a 120 Vac, 15 Amp., dedicated electrical outlet.
	Timer is not set.	Select time duration according to the Using the Warming drawer section.
	Tripped circuit breaker or blown fuse.	Check the circuit breaker panel or fuse box tripped breaker or blown fuse.
	Ambient temperature below 32 °F (0 °C).	Temperature around warming drawer must be above freezing.
Drawer does not slide smoothly or drags.	Drawer is incorrectly mounted into slide mechanism.	Remount drawer into slide, per instructions above.
	Drawer is over-loaded or the load is unbalanced.	Reduce the weight to less than 50 pounds. Redistribute drawer contents.
Excessive condensation.	Warming drawer not preheated.	Preheat the warming drawer before each use.
One or more of the indicator lights on the control panel blink on and off (0.5 second on, 0.5 second off).	The control panel computer has detected an error: #1 - Temperature error #2 - Sensor error #3 - Key pad error #4 - Control error	Try resetting the computer. Disconnect the power cord, wait 20 seconds, then reconnect it. Check the control panel. If the indicator light still flashes, call for service. See page 11.

Warranty and Service

Getting Help

Before you request service:

1. Review the **Troubleshooting** section of this manual.
2. Use the helpful tips found in our **Troubleshooting**.
3. Become familiar with the warranty terms and conditions of your product.
4. If none of these tips or suggestions resolves your problem, call our Customer Service center at the number below.

Dacor's Customer Service center is available 8:00 a.m. – 8:00 p.m. Pacific Time

For warranty repairs or questions and for Dacor Distinctive Service (DDS) in the US and Canada

Phone: 833-353-5483(USA), 844-509-4659(Canada)

For non-warranty repairs or questions in the US and Canada

Phone: 833-353-5483(USA), 844-509-4659(Canada)

Contact us through our Website at: www.dacor.com

Warranty and Service

Warranty

PLEASE DO NOT DISCARD.

What Is Covered

**CERTIFICATE OF WARRANTIES: DACOR WARMING DRAWER
WITHIN THE FIFTY STATES OF THE U.S.A., THE DISTRICT OF COLUMBIA, AND
CANADA:**

FULL TWO-YEAR WARRANTY

The warranty applies only to the Dacor appliance sold to the first use purchaser, starting from the date of original retail purchase or closing date for new construction, whichever period is longer. Warranty is valid on products purchased brand new from a Dacor Authorized Dealer, or other seller authorized by Dacor. If your Dacor product fails to function within one year of the original date of purchase, due to a defect in material or workmanship, Dacor will remedy it without charge to you.

All cosmetic damage (such as scratches on stainless steel, paint/porcelain blemishes, etc.) to the product or included accessories must be reported to Dacor within 60 days of the original purchase date to qualify for warranty coverage. Consumable parts such as filters and light bulbs are not covered and are the responsibility of the purchaser.

LIMITATIONS OF COVERAGE

Service will be provided by a Dacor designated service company during regular business hours. Please note service providers are independent entities and are not agents of Dacor.

Dealer display and model home display products with a production date greater than 5 years, products sold "As Is," and products installed for non-residential use, which include but are not limited to religious organizations, fire stations, bed & breakfast, and spas carry a one year parts warranty only. All delivery, installation, labor costs, and other service fees are the responsibility of the purchaser.

Warranty will be null and void on product that has altered, defaced, or missing serial numbers and tags.

The owner must provide proof of purchase or closing statement for new construction upon request. All Dacor products must be accessible for service.

Warranty is null and void if non-ETL or non-CUL approved product is transported from the U.S.A.

OUTSIDE THE FIFTY STATES OF THE U.S.A., THE DISTRICT OF COLUMBIA AND CANADA:

LIMITED TWO-YEAR WARRANTY

If your Dacor product malfunctions within one year of the original purchase date, due to material or manufacturing defect, Dacor will furnish a new part, FOB factory to replace the defective part.

All delivery, installation, labor costs, and other service fees shall be paid by the purchaser.

What Is Not Covered

- Slight color variations may be noticed because of differences in painted parts, kitchen lighting, product placement and other factors; this warranty does not apply to color variation.
- Service calls to educate the customer on proper use and care of the product.
- Service fees for travel to islands and remote areas, which include but are not limited to, ferries, toll roads or other travel expenses.
- Consequential or incidental damage, including but not limited to food or medicine loss, time away from work or restaurant meals.
- Failure of the product when used for commercial, business, rental or any application other than for residential consumer use.
- Failure of the product caused by improper product installation.
- Replacement of house fuses, fuse boxes or resetting of circuit breakers.
- Damage to the product caused by accident, fire, flood, power interruption, power surges or other acts of God.
- Liability or responsibility for damage to surrounding property including cabinetry, floors, ceilings and other structures or objects around the product.
- Breakage, discoloration, or damage to glass, metal surfaces, plastic components, trim, paint or other cosmetic finish caused by improper usage, care, abuse or neglect.

Out of Warranty

Should you experience a service issue beyond the standard warranty period, please contact us. Dacor reviews each issue and customer concern to provide the best possible solution based on the circumstances.

THE REMEDIES PROVIDED IN THE ABOVE EXPRESS WARRANTIES ARE THE SOLE AND EXCLUSIVE REMEDIES. THEREFORE, NO OTHER EXPRESS WARRANTIES ARE MADE, AND OUTSIDE THE FIFTY STATES OF THE UNITED STATES, THE DISTRICT OF COLUMBIA AND CANADA, ALL IMPLIED WARRANTIES, INCLUDING BUT NOT LIMITED TO, ANY IMPLIED WARRANTY OF MERCHANTABILITY OR FITNESS FOR A PARTICULAR USE OR PURPOSE, ARE LIMITED IN DURATION TO ONE YEAR FROM THE DATE OF ORIGINAL PURCHASE. IN NO EVENT SHALL DACOR BE LIABLE FOR INCIDENTAL EXPENSE OR CONSEQUENTIAL DAMAGES. IN THE EVENT DACOR PREVAILS IN ANY LAWSUIT, DACOR SHALL BE ENTITLED TO REIMBURSEMENT OF ALL COSTS AND EXPENSES, INCLUDING ATTORNEY'S FEES, FROM THE DACOR CUSTOMER. NO WARRANTIES, EXPRESS OR IMPLIED, ARE MADE TO ANY BUYER FOR RESALE.

Some states do not allow limitations on how long an implied warranty lasts, or do not allow the exclusion or limitation of inconsequential damages, therefore the above limitations or exclusions may not apply to you. This warranty gives you specific legal rights, and you may also have other rights that vary from state to state.

dacor



DG68-01551A-00

dacor

Manual del usuario

Cajón calentador

DWR30U900WP/DA
DWR30U900WS/DA
DWR30U900WM/DA



A nuestros valiosos clientes:

¡Felicidades por la compra de lo último en productos Dacor! Nuestra combinación única de características, estilo y funcionamiento nos hace una gran incorporación a su hogar.

Para familiarizarse con los controles, las funciones y todo el potencial de su nuevo cajón calentador Dacor, lea este manual por completo a partir de la sección **Resumen**.

Los artefactos Dacor están diseñados y fabricados con calidad y orgullo, mientras trabajamos dentro del marco de los valores de nuestra compañía. Si tiene algún inconveniente con su cajón calentador, primero consulte **Solución de problemas**, donde encontrará sugerencias y soluciones para ahorrarse una llamada al servicio técnico.

Los valiosos comentarios de los clientes nos ayudan a mejorar nuestros productos y servicios constantemente. Si necesita ayuda con sus necesidades relacionadas con los productos y los servicios, siéntase libre de contactar a nuestro Equipo de seguridad del cliente.

- **USA**
Samsung Electronics America, Inc.
85 Challenger Road
Ridgefield Park, NJ 07660
- **Canadá**
Samsung Electronics Canada Inc.
2050 Derry Road West, Mississauga,
Ontario L5N 0B9 Canada

Teléfono: 833-353-5483 (EE. UU.), 844-509-4659 (Canadá)

Horario de atención: Lunes a viernes de 8:00 a. m. a 8:00 p. m. del horario del Pacífico

Sitio web: www.dacor.com

Gracias por elegir Dacor para su hogar. Somos una compañía creada por familias para familias, y nos dedicamos a servirles. Estamos seguros de que su nuevo cajón calentador Dacor tendrá un alto nivel de funcionamiento y será una fuente de disfrute durante décadas.

Saludos,

The Dacor Customer Assurance Team

Contenido

Información de seguridad importante	3
Advertencia de la Propuesta 65 de California	4
Seguridad general	5
Resumen	6
Disposición	6
Paneles de control y pantallas	6
Antes de comenzar	7
Precalentar	7
Uso del cajón calentador	7
Uso	7
Uso de la función Shabat	8
Calentar contenedores	8
Mantenimiento	9
Panel de control	9
Manija del cajón	9
Superficies de vidrio	9
Superficies de bronce y cromadas	9
Superficies pintadas	9
Juntas	9
Deslizantes del cajón	9
Rejilla	9
Quitar el cajón	10
Reinstalación del cajón	10
Solución de problemas	11
Solución de problemas	11
Garantía y servicio técnico	11
Recibir ayuda	11
Garantía	12

Información de seguridad importante

INSTALADOR: CONSERVE ESTAS INSTRUCCIONES CERCA DEL ARTEFACTO.

CLIENTE: LEA POR COMPLETO ESTE MANUAL DE USO Y CUIDADOS ANTES DE UTILIZAR SU CAJÓN CALENTADOR. CONSERVE ESTAS INSTRUCCIONES PARA CONSULTAR EN EL FUTURO. CONTIENE INFORMACIÓN IMPORTANTE SOBRE EL USO Y CUIDADOS.

Para obtener información sobre la garantía y el servicio, consulte la página 11.

Si tiene alguna pregunta (además de las preguntas sobre la garantía), comuníquese con:

Dacor Customer Service

833-353-5483 (EE. UU.), 844-509-4659 (Canadá)

Lunes a viernes de 8:00 a. m. a 8:00 p. m. horario del Pacífico

Sitio web: www.dacor.com

Cuando se comunique, disponga del modelo y el número de serie completos de su artefacto. Consulte la página 6 para conocer la ubicación de la etiqueta. Escriba estos números debajo para consultar en el futuro.

Nombre del modelo _____

Número de serie _____

Fecha de compra _____

Dado que en Dacor mejoramos continuamente la calidad y el desempeño de nuestros productos, es posible que el artefacto se modifique sin actualizar este manual.

Visite el sitio web www.dacor.com para descargar la última versión de este manual.

LEA TODAS LAS INSTRUCCIONES ANTES DE USAR ESTE ARTEFACTO.

La **información de seguridad importante** y las advertencias en este manual no cubren todos los problemas y condiciones que pueden ocurrir. Utilice el sentido común y tenga precaución al instalar, mantener u operar este artefacto.

Símbolos usados en este manual

PELIGRO

Peligros o prácticas poco seguras que **PROVOCARÁN** lesiones personales graves o la muerte.

ADVERTENCIA

Peligros o prácticas poco seguras que pueden provocar **lesiones personales graves o la muerte.**

PRECAUCIÓN

Peligros o prácticas poco seguras que pueden provocar **lesiones personales leves o daños a la propiedad.**

NOTA

Instrucciones y sugerencias útiles.

Los siguientes íconos y símbolos de advertencia son para evitar que usted y otras personas sufran daños. Sígalos de forma explícita. Cuando haya leído esta sección, guárdela en un lugar seguro para futuras consultas.

Información de seguridad importante

Advertencia de la Propuesta 65 de California

⚠ ADVERTENCIA

Cáncer y daño reproductivo: www.P65Warnings.ca.gov.

⚠ PELIGRO

IMPORTANTE: Para evitar la posibilidad de explosión o incendios, no almacene ni utilice vapores y líquidos inflamables o explosivos (como gasolina) dentro o cerca de este o cualquier otro artefacto. Mantenga alejados del artefacto los elementos que pueden explotar, como latas de aerosoles.

NO almacene materiales inflamables ni explosivos en gabinetes o zonas adyacentes.

⚠ ADVERTENCIA

NUNCA utilice este artefacto como calentador de ambiente.

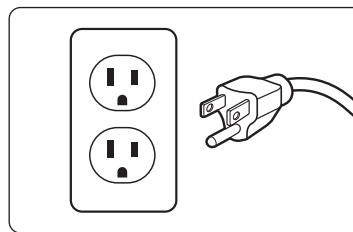
⚠ ADVERTENCIA

NO utilice agua en incendios de grasa. Para extinguir el incendio o las llamas, utilice un extinguidor químico seco o de espuma.

⚠ ADVERTENCIA

IMPORTANTE: El artefacto incluye un enchufe eléctrico de tres patillas para brindar protección contra peligros de descarga eléctrica. Se debe enchufar en un tomacorriente eléctrico específico y conectado a tierra. Si solo dispone de un tomacorriente eléctrico de dos patillas, es su responsabilidad reemplazarlo con un tomacorriente adecuado de tres patillas.

Para evitar peligros de descarga eléctrica, bajo ninguna circunstancia:



- Corte o quite la tercera patilla del cable de alimentación.
- Utilice un enchufe adaptador.
- Utilice un cable de alimentación desgastado o dañado.
- Introduzca el cable de alimentación o el enchufe en agua u otro líquido.
- Conecte el artefacto a un cable de extensión.

📄 NOTA

No se recomienda el uso de un interruptor de circuito por pérdida a tierra.

Seguridad general

⚠ ADVERTENCIA

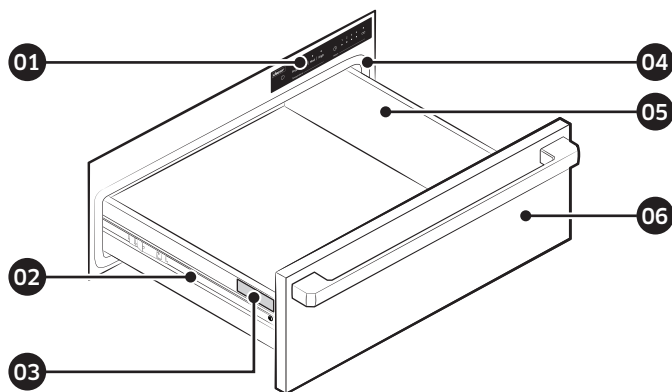
Para reducir el riesgo de incendio, descargas eléctricas, lesiones y muerte, respete estas precauciones.

- Lea por completo este manual antes de utilizar el artefacto.
- Utilice este artefacto solo para el uso previsto, tal como se describe en el manual. Utilícelo solo para calentar alimentos, platos y utensilios. No está diseñado para uso comercial, industrial o de laboratorio.
- **NO** instale ni utilice un producto dañado o que tenga el cable de alimentación o enchufe dañados o averiado. Devuelva el artefacto al servicio técnico autorizado más cercano para su inspección, reparación o ajuste.
- Asegúrese de que un instalador calificado conecte el artefacto a tierra correctamente según las instrucciones de instalación adjuntas. Dígale al instalador que le muestre la ubicación del tomacorriente para que sepa donde desconectar la alimentación del artefacto.
- **NO** repare ni reemplace cualquier parte del cajón calentador excepto que sea específicamente recomendado en la guía adjunta. Todos los otros servicios técnicos los debe realizar un técnico de servicio calificado.
- El uso de accesorios no recomendado por el fabricante puede provocar lesiones.
- Antes de limpiar o realizar cualquier servicio, asegúrese de que el cable de alimentación esté desconectado del tomacorriente y que la unidad no esté caliente.
- Aleje el cable de alimentación de las superficies calientes.
- **NO TOQUE NINGUNA SUPERFICIE CALIENTE NI EL CAJÓN CALENTADOR DURANTE O INMEDIATAMENTE DESPUÉS DE SU USO.** Utilice la manija. Después del uso, asegúrese de que estas superficies tengan tiempo suficiente para enfriarse antes de tocarlas. Los elementos para calentar pueden estar calientes aunque tengan color oscuro.
- Para reducir el riesgo de incendios en el cajón calentador, no cocine de más los alimentos. **NO** deje el artefacto sin supervisión con papel, plástico u otros materiales inflamables dentro.
- **NO** deje la puerta abierta durante un largo tiempo cuando el cajón calentador esté funcionando. Mantenga la puerta cerrada excepto que sea necesario para la cocción o limpieza.
- **NO** lo utilice en espacios exteriores.

- Para evitar la posibilidad de incendios o quemaduras, no permita que telas, agarraderas, toallas o trapos tomen contacto con cualquier parte del cajón calentador durante o inmediatamente después de su uso. **NO** use telas sueltas o colgadas mientras utiliza este artefacto.
- Si los materiales dentro del cajón calentador se encienden, mantenga el cajón cerrado y desconecte la electricidad en el panel de fusibles.
- Tenga precaución al abrir el cajón. Deje que el aire caliente y el vapor salgan antes de mirar o acercarse al cajón calentador.
- Utilice solo agarraderas secas al quitar alimentos y utensilios del cajón calentador. Las agarraderas mojadas pueden provocar quemaduras por el vapor.
- **NO** coloque elementos como huevos enteros, contenedores sellados o frascos de vidrio cerrados en el cajón calentador. Pueden explotar al calentarse y provocar lesiones.
- **NO** coloque más de 50 libras en el cajón.
- La limpieza adecuada y el mantenimiento frecuente de la unidad se indican en este manual. Limpie solo las partes enumeradas en este manual de la manera especificada.
- **NO** utilice estropajos, limpiadores ni detergentes abrasivos o cáusticos en el artefacto. Pueden dañar el acabado de forma permanente. **NO** utilice limpiadores en aerosol porque pueden ser inflamables o provocar la corrosión de las piezas de metal.
- Limpie el artefacto por completo antes de usarlo por primera vez.
- Asegúrese de que el cajón calentador sea utilizado por personas que puedan usarlo adecuadamente.
- **NO** altere los controles.
- Precaliente el cajón calentador antes de utilizarlo.
- **NUNCA** permita que las personas o niños se sienten, paren o escalen el artefacto. Al hacerlo pueden caerse y provocar daños, lesiones graves o la muerte.
- **NO** deje a los niños solos o sin supervisión en la zona del artefacto. **NO** permita que los niños lo utilicen, jueguen con los controles, tiren de la manija ni toquen otras partes.
- **NO** almacene elementos de interés para los niños sobre el cajón calentador. Los niños pueden quemarse o lesionarse al escalar el artefacto.

Resumen

Disposición



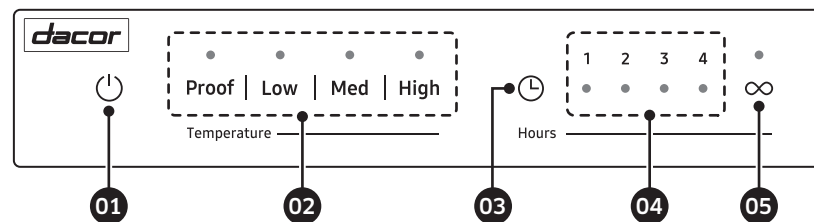
- | | | |
|---------------------|-------------------------|--|
| 01 Panel de control | 02 Deslizante del cajón | 03 Etiqueta de datos del producto (En el deslizador externo izquierdo del cajón) |
| 04 Juntas | 05 Cajón | 06 Frente del cajón* |

* El estilo varía. Se muestra el modelo DWR30U900WS, DWR30U900WM.

NOTA

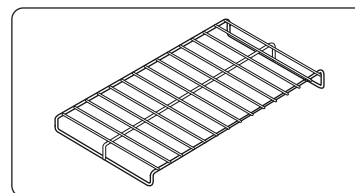
- Temperatura ambiente mínima para utilizarlo: 32 °F (0 °C)
- Capacidad del cajón: 50 libras

Paneles de control y pantallas

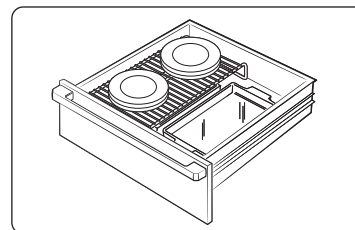


- | | | |
|------------------------|---------------------------|-------------------------------|
| 01 Botón de encendido | 02 Botón de temperatura | 03 Botón de selección horaria |
| 04 Pantalla de horario | 05 Botón de modo continuo | |

Rejilla



- Introduzca la rejilla en el cajón.
- Precaliente con la rejilla colocada.
- Utilice la rejilla para apilar los platos.



- Los elementos pueden apilarse de a dos con la rejilla colocada.

Antes de comenzar

ADVERTENCIA

- Cuando el cajón calentador está en modo continuo (∞), quedará encendido hasta que se apague manualmente. Para evitar peligros de incendio o quemaduras, tenga precaución al utilizar la unidad en el modo continuo.
- La seguridad de los alimentos es muy importante al utilizar un cajón calentador. En las configuraciones de temperatura **Proof (Leudar)** y **Low (Bajo)**, puede generarse un crecimiento bacteriano. Utilice las configuraciones **Med (Medio)** y **High (Alto)** para alimentos que necesiten más de dos a tres horas.
- Verifique la tolerancia máxima de calor de los platos con el fabricante.
- Los platos pueden estar muy calientes. Utilice agarradera o mitones para quitar los platos calientes.

Precalentar

Para obtener mejores resultados, precaliente su cajón calentador durante unos 20 minutos antes de utilizarlo. Si coloca alimentos calientes en un espacio frío y reducido, el vapor presente puede condensarse. Si precalienta su cajón calentador, habrá menos probabilidades de agua por condensación. Los tiempos de precalentamiento cambian según la configuración de temperatura.

Uso del cajón calentador

Uso

El cajón calentador mantendrá comidas cocidas calientes a temperatura para servir. Siempre comience con comidas calientes. NO lo utilice para calentar comidas frías aparte de leudar masa fermentada, tostar galletas, papas fritas, secar cereal, calentar panes y panecillos o calentar platos.

El cajón calentador incluye cuatro configuraciones de temperatura y un temporizador que puede configurarse de una a cuatro horas. El cajón calentador también puede establecerse para uso continuo. Consulte la tabla de la página siguiente para conocer las configuraciones sugeridas para alimentos.

Para encender la unidad:

1. Presione el botón **Inicio** (⏻).
2. Presione el botón para configurar la temperatura deseada.

Regulación	Temperatura *
Proof (Leudar)	100 °F (38 °C)
Low (Bajo)	140 °F (60 °C)
Med (Medio)	167 °F (75 °C)
High (Alto)	194 °F (90 °C)

* Las temperaturas son aproximadas.

3. Seleccione el tiempo que desea que funcione el cajón calentador: Presione el botón **Selección de horario** (⌚) hasta que se ilumine la cantidad de horas deseadas en el panel de control
o
Presione el botón **Modo continuo** (∞) para mantener la unidad encendida. Después de seleccionar el horario, el cajón calentador comenzará a calentarse.
4. Presione el botón **Inicio** (⏻) para apagar el cajón calentador cuando termine.

Uso del cajón calentador

Uso de la función Shabat

El cajón calentador se diseñó para permitir el uso en Shabat o en festividades judías.



Para recibir más ayuda y ver guías de uso correcto y una lista completa de los modelos con la función Shabat, visite:
<http://www.star-k.org>.

Calentar contenedores

Para calentar platos y otros contenedores:

- Colóquelos cuidadosamente en el cajón calentador y configure la temperatura en **Proof (Leudar)** o en **Low (Bajo)**, según su preferencia personal. No arrastre los platos por el cajón. Pueden rayar la superficie del cajón.
- Antes de utilizar vajilla delicada en el cajón calentador, conozca la temperatura máxima recomendada por el fabricante. No es necesario precalentar el cajón calentador para calentar platos.
- Puede utilizar también envoltorios de plástico sobre los platos para mantener los alimentos calientes y húmedos.

Pautas para la configuración del control de temperatura

Alimentos	Configuración de temperatura	Cubierto/No cubierto
Tocino	High (Alto)	No cubierto
Filete - raro	Low (Bajo)	Cubierto
Pan - bollos duros	Low (Bajo)	Cubierto
Pan - leudado	Proof (Leudar)	Toalla mojada
Guisos	Low (Bajo)	No cubierto
Cena	Med (Medio)	No cubierto
Huevos	Low (Bajo)	Cubierto
Pescado / Mariscos	Low (Bajo)	Cubierto
Frituras	High (Alto)	No cubierto
Salsas y cremas	Low (Bajo)	Cubierto
Jamón	Low (Bajo)	Cubierto
Cordero	Low (Bajo)	Cubierto
Crepas	Low-Mid (Bajo-Med)	Cubierto
Tartas - una corteza	Low (Bajo)	No cubierto
Pizza	Low-Mid (Bajo-Med)	Cubierto
Papas - horneadas	High (Alto)	No cubierto
Carne de ave	High (Alto)	Cubierto
Vegetales	Low (Bajo)	Cubierto
Waffles - crujiente	High (Alto)	No cubierto

Mantenimiento

ADVERTENCIA

- Para prevenir daños permanentes en las superficies del artefacto, no utilice limpiadores ni estropajos abrasivos.
- No deje ácidos (jugos cítricos, salsa de tomate, etc.) en las superficies del cajón calentador. El acabado podría mancharse.
- No intente quitar la suciedad excesiva con un objeto filoso como un cuchillo o una espátula de metal. Los objetos filosos pueden rayar las superficies.
- Siempre limpie las superficies de acero inoxidable en dirección de la suciedad.

Panel de control

Limpie el panel de control con un paño suave mojado con una solución de detergente y agua caliente. Enjuague y seque con un paño suave. Tenga precaución y evite la introducción de líquidos en la zona detrás del panel de control. No utilice estropajos ni limpiadores abrasivos. Pueden dañar el acabado de forma permanente o raspar las letras y gráficos.

Manija del cajón

Limpie la manija del cajón con una solución de detergente y agua caliente. Enjuague y seque con un paño suave. Puede usar también el Limpiador de acero inoxidable Dacor. Puede conseguirlo con su proveedor Dacor. Siga las instrucciones del paquete. Siempre limpie las superficies de acero inoxidable en dirección de la suciedad.

Superficies de vidrio

Limpie todas las superficies de vidrio con una solución de detergente y agua caliente. También puede usar un limpiador de vidrio suave para quitar huellas o manchas. Seque por completo con un paño suave y sin pelusas.

Superficies de bronce y cromadas

Limpie todas las superficies de bronce y cromadas con una solución de detergente y agua caliente. Enjuague, seque y pula con un paño suave y sin pelusas.

Puede usar también el Limpiador de acero inoxidable Dacor. Puede conseguirlo con su proveedor Dacor. Siga las instrucciones del paquete.

Superficies pintadas

Para limpiar el frente del cajón calentador con acabado de pintura, utilice una solución de detergente y agua caliente. Enjuague y seque con un paño suave. No utilice estropajos ni limpiadores abrasivos. Pueden dañar el acabado de forma permanente.

Juntas

La junta se ubica alrededor del borde de la abertura del cajón, debajo del panel de control.

Limpie suavemente la junta con una solución de detergente y agua caliente. Enjuague y seque con un paño suave. El material de la junta es suave. Tenga cuidado de no golpearlo ni dañarlo. Dañar la junta provoca un sellado de calor malo y resulta en un bajo desempeño del cajón calentador.

Deslizantes del cajón

El cajón calentador tiene deslizantes colocados en cada lado del cajón. Permiten que el cajón se deslice suavemente hacia adentro y hacia afuera. Quite el cajón de los deslizantes para facilitar la limpieza o acceder al número de serie. Los deslizantes del cajón no necesitan mantenimiento

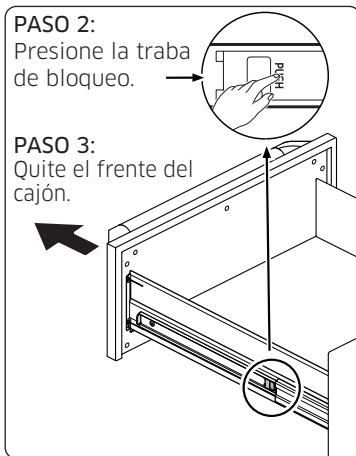
Rejilla

Limpie la rejilla del cajón con una solución de detergente y agua caliente. Enjuague y seque con un paño suave.

Mantenimiento

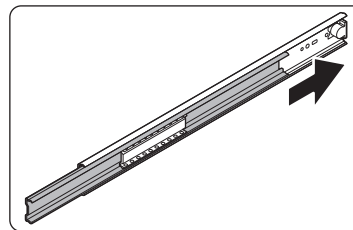
Quitar el cajón

Quite el cajón del artefacto para acceder a los agujeros de montaje durante la instalación y para reducir el peso:

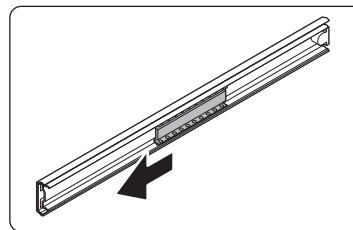


1. Retire el cajón hasta la posición de apertura total.
2. Presione la traba de bloqueo en ambos lados al retirar el cajón.
3. Por seguridad, presione ambos deslizantes del cajón hacia la apertura del cajón.

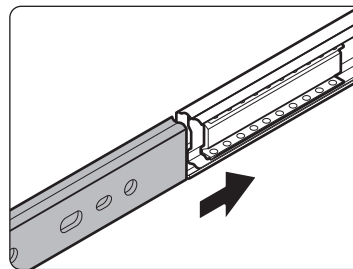
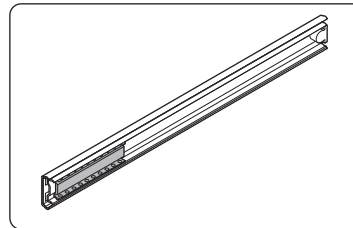
Reinstalación del cajón



1. Presione el riel hasta que alcance el final de la carcasa.



2. Retire el retén del frente del riel.



3. Introduzca suavemente un lado del riel del cajón hacia el riel de la carcasa.
4. Repita el mismo proceso en el lado opuesto.
5. Abra y cierre el cajón suavemente para asegurarse de que esté instalado correctamente.

Solución de problemas

Solución de problemas

En Dacor nos queremos asegurar de que no tenga problemas con su nuevo cajón calentador. Si encuentra problemas inesperados, primero busque una solución en las siguientes tablas. Si después de haber intentado con la solución sugerida el problema persiste, llame al Centro de contacto de Dacor al 833-353-5483.

Problema	Causa posible	Solución
Nada funciona.	El cable de alimentación está desenchufado.	Enchufe el cajón calentador en un tomacorriente de 120 Vac, 15 Amp.
	No se estableció el temporizador.	Seleccione la duración del tiempo según la sección Uso del cajón calentador .
	Disyuntor disparado o fusible fundido.	Revise el panel del disyuntor o la caja de fusibles.
	Temperatura ambiente menor a 32 °F (0 °C).	La temperatura alrededor del cajón calentador debe ser mayor a la congelación.
El cajón no se desliza ni se arrastra suavemente.	El cajón no está montado correctamente en el mecanismo de deslizamiento.	Vuelva a montarlo siguiendo las instrucciones anteriores.
	El cajón está sobrecargado o la carga está desbalanceada.	Reduzca el peso a menos de 50 libras. Redistribuya el contenido del cajón.
Condensación excesiva.	El cajón calentador no se precalentó.	Precaliente el cajón calentador antes de cada uso.
Una o más luces del indicador del panel de control parpadean (0.5 segundos encendidas y 0.5 segundos apagadas).	La computadora del panel de control detectó un error: #1 - Error de temperatura #2 - Error del sensor #3 - Error del teclado #4 - Error del control	Intente restablecer la computadora. Desconecte el cable de alimentación, espere 20 segundos y vuelva a conectarlo. Revise el panel de control. Si la luz del indicador continúa parpadeando, comuníquese con el servicio técnico. Consulte la página 11.

Garantía y servicio técnico

Recibir ayuda

Antes de solicitar el servicio:

1. Revise la sección **Solución de problemas** de este manual.
2. Utilice los consejos prácticos en la sección **Solución de problemas**.
3. Conozca los términos y condiciones de la garantía de su producto.
4. Si ninguno de estos consejos o sugerencias soluciona su problema, comuníquese con nuestro Servicio de atención al cliente al número a continuación.

El Servicio de atención al cliente Dacor está disponible de 8:00 a. m. a 8:00 p. m. horario del Pacífico.

Por reparaciones incluidas en la garantía o preguntas y para el Servicio diferencial de Dacor (DDS) en EE. UU. y Canadá
Llame al: 833-353-5483 (EE. UU.), 844-509-4659 (Canadá)

Por reparaciones no incluidas en la garantía o preguntas en EE. UU. y Canadá
Llame al: 833-353-5483 (EE. UU.), 844-509-4659 (Canadá)

Comuníquese con nosotros mediante nuestro sitio web: www.dacor.com

Garantía y servicio técnico

Garantía

NO LO TIRE.

Lo que cubre

CERTIFICADO DE GARANTÍA CAJÓN CALENTADOR DE DACOR
DENTRO DE LOS CINCUENTA ESTADOS DE EE. UU., EL DISTRITO DE COLUMBIA Y
CANADÁ:

DOS AÑOS COMPLETOS DE GARANTÍA

La garantía aplica solo al artefacto Dacor vendido al primer usuario comprador, y comienza en la fecha de la compra original o la fecha de finalización de una nueva construcción, según qué periodo sea más largo. La garantía es válida para productos comprados nuevos en un distribuidor Dacor u otro vendedor autorizado por Dacor.

Si su producto Dacor tiene fallas en su funcionamiento dentro de un año de la fecha original de compra, debido a defectos en el material o fabricación, Dacor lo solucionará sin costo.

Todos los daños estéticos (como rayas en el acero inoxidable, manchas en la pintura y porcelana, etc.) en el producto o los accesorios incluidos deben ser informados a Dacor dentro de los 60 días de la fecha original de compra para calificar en la cobertura de la garantía. Las piezas consumibles como los filtros y las bombillas no están cubiertas y son responsabilidad del comprador.

LIMITACIONES DE LA COBERTURA

El servicio técnico será realizado por una compañía de servicio técnico designada por Dacor durante horarios hábiles. Los proveedores de servicio técnico son entidades independientes y no son agentes de Dacor.

Los productos de exposición del distribuidor y de la casa modelo con una fecha de fabricación mayor a 5 años, los productos vendidos "Tal cual" y los productos instalados para uso no residencial (incluidos, entre otros, usos en organizaciones religiosas, estaciones de bomberos, pensiones y spas) poseen una garantía de piezas solo por un año. Todas las tarifas de envío, instalación, mano de obra y demás tarifas de servicio son responsabilidad del comprador.

La garantía es nula e inválida si un producto fue alterado, desfigurado o le faltan números de serie o etiquetas.

El dueño debe presentar pruebas de la compra o declaración de finalización de nueva construcción, según sea requerido. Todos los productos Dacor deben estar disponibles para el servicio técnico.

La garantía es nula e inválida si un producto no ETL y no CUL aprobado es transportado desde EE. UU.

**FUERA DE LOS CINCUENTA ESTADOS DE EE. UU., EL DISTRITO DE COLUMBIA Y
CANADÁ:**

DOS AÑOS LIMITADOS DE GARANTÍA

Si su producto Dacor presenta fallas en el funcionamiento dentro del año posterior a la fecha original de compra, debido al material o de fabricación, Dacor repondrá la pieza defectuosa con una nueva FOB a la fábrica.

Todas las tarifas de envío, instalación, mano de obra y demás tarifas de servicio las debe pagar el comprador.

Lo que no cubre

- Se pueden observar leves variaciones del color debido a diferencias en las piezas pintadas, la luz de la cocina, la colocación del producto y demás factores. Esta garantía no aplica para variaciones del color.
- Las llamadas del servicio técnico para educar al cliente sobre el uso y el cuidado adecuados del producto.
- Las tarifas del servicio técnico por viajes a islas y zonas remotas; que incluyen, pero no se limitan a, transbordadores, autopistas u otros gastos de viaje.
- El daño consecuente o incidental; que incluye, pero no se limita a, pérdida de alimentos o medicamentos, licencia laboral o comidas de restaurantes.
- Las fallas del producto por uso comercial, empresarial, de arriendo o cualquier otra aplicación fuera del uso de cliente residencial.
- Las fallas del producto provocadas por la instalación inadecuada.
- El reemplazo de fusibles domésticos, cajas de fusibles o el reinicio de disyuntores.
- El daño al producto provocado por accidentes, incendios, inundaciones, cortes eléctricos, sobrecargas eléctricas y otros actos de Dios.
- La obligación o responsabilidad por daños del entorno de la propiedad como ebanistería, pisos, techos u otras estructuras u objetos alrededor del producto.

- La rotura, decoloración o daño a vidrio, superficies metálicas, componentes plásticos, recortes, pintura u otros acabados estéticos provocados por el uso y el cuidado inadecuados, el abuso o la negligencia.

Fuera de garantía

Si tiene un problema técnico fuera del período estándar de garantía, contáctenos. Dacor evalúa cada problema y preocupación del cliente para brindar la mejor solución posible según las circunstancias.

LAS SOLUCIONES PROVISTAS EN LAS GARANTÍAS EXPRESAS MÁS ARRIBA, SON LAS ÚNICAS Y EXCLUSIVAS SOLUCIONES. POR LO TANTO, NO SE REALIZAN OTRAS GARANTÍAS EXPRESAS. FUERA DE LOS CINCUENTA ESTADOS DE ESTADOS UNIDOS, EL DISTRITO DE COLUMBIA Y CANADÁ, TODAS LAS GARANTÍAS IMPLÍCITAS; QUE INCLUYEN, PERO NO SE LIMITAN A, CUALQUIER GARANTÍA IMPLÍCITA DE COMERCIABILIDAD O APTITUD PARA UN USO O FINALIDAD PARTICULAR, TIENEN UNA DURACIÓN LIMITADA DE UN AÑO DESDE LA FECHA ORIGINAL DE COMPRA. EN NINGUNA CIRCUNSTANCIA DACOR SERÁ RESPONSABLE POR GASTOS INCIDENTALS O DAÑOS CONSECUENTES. EN EL CASO DE QUE DACOR PREVALEZCA EN CUALQUIER DEMANDA, DACOR TENDRÁ LA FACULTAD DE SER REEMBOLSADO POR TODOS LOS COSTOS Y GASTOS, INCLUIDAS LAS TARIFAS DEL ABOGADO, POR EL CLIENTE DE DACOR. NO SE REALIZAN GARANTÍAS, EXPRESAS O IMPLÍCITAS, A NINGÚN VENDEDOR PARA REVENTA.

Algunos estados no permiten limitaciones sobre la duración de la garantía, o no permiten la exclusión o limitación de daños inconsecuentes, por lo que las limitaciones o exclusiones anteriores no aplicarían en su caso. Esta garantía menciona sus derechos legales específicos, además de otros derechos que pueda tener y varíen según el estado.

dacor



DG68-01551A-00

dacor

Mode d'emploi

Tiroir chauffant

DWR30U900WP/DA
DWR30U900WS/DA
DWR30U900WM/DA



À nos clients fidèles :

Nous vous félicitons d'avoir acheté les tout derniers produits Dacor! La combinaison unique de nos caractéristiques, de notre style et de nos performances fait de nous un atout majeur pour votre maison.

Pour vous familiariser avec les commandes, les fonctions et le potentiel de votre nouveau tiroir chauffant Dacor, lisez attentivement ce manuel, en commençant par **Avant de commencer**.

Les appareils Dacor sont conçus et fabriqués avec qualité et fierté, sans jamais sortir du cadre des valeurs de notre entreprise. Si vous rencontrez un problème avec votre tiroir chauffant, consultez d'abord **Dépannage**, où vous trouverez des suggestions et des solutions qui vous éviteront peut-être de faire appel à un technicien.

Les commentaires précieux de nos clients nous aident à améliorer continuellement nos produits et services, alors n'hésitez pas à contacter notre équipe d'assurance client pour obtenir de l'aide pour tous vos besoins en matière de support produit.

- **USA**
Samsung Electronics America, Inc.
85 Challenger Road
Ridgefield Park, NJ 07660
- **Canada**
Samsung Electronics Canada Inc.
2050 Derry Road West, Mississauga,
Ontario L5N 0B9 Canada

Téléphone : 833-353-5483 (États-Unis), 844-509-4659 (Canada)
Heures d'ouverture : Du lundi au vendredi, de 8 h 00 à 20 h 00, heure du Pacifique
Site Internet : www.dacor.com

Merci d'avoir choisi Dacor pour votre maison. Nous sommes une entreprise créée par des familles pour des familles, et nous nous engageons à servir la vôtre. Nous sommes convaincus que votre nouveau tiroir chauffant Dacor vous offrira des performances de haut niveau et que vous pourrez profiter de votre appareil pendant de nombreuses années.

Cordialement,

The Dacor Customer Assurance Team

Table des matières

Informations de sécurité importantes	3
Avertissement relatif à la proposition 65 de l'État de Californie	4
Sécurité générale	5
Vue d'ensemble	6
Disposition	6
Panneaux de commande et affichages	6
Avant de commencer	7
Préchauffage	7
Utilisation du tiroir chauffant	7
Fonctionnement	7
Utilisation de la fonction Sabbath	8
Récipients de service chauds	8
Entretien	9
Tableau de commande	9
Poignée du tiroir	9
Surfaces en verre	9
Surfaces en laiton et en chrome	9
Surfaces peintes	9
Joint	9
Glissières du tiroir	9
Grille	9
Retrait du tiroir	10
Réinstallation du tiroir	10
Dépannage	11
Dépannage	11
Garantie et service après-vente	11
Obtenir de l'aide	11
Garantie	12

Informations de sécurité importantes

INSTALLATEUR : GARDEZ LE PRÉSENT MANUEL D'UTILISATION À PROXIMITÉ DE L'APPAREIL.

CLIENT : LISEZ L'INTÉGRALITÉ DU PRÉSENT MANUEL D'UTILISATION ET D'ENTRETIEN AVANT D'UTILISER VOTRE TIROIR CHAUFFANT. CONSERVEZ-LE POUR VOUS Y REPORTER ULTÉRIEUREMENT. IL CONTIENT DES INFORMATIONS IMPORTANTES À PROPOS DE L'UTILISATION ET DE L'ENTRETIEN DE L'APPAREIL.

Pour les informations concernant le service après-vente et la garantie, voir la page 11.

Si vous avez des questions (sur un sujet autre que la garantie), appelez-nous :
Service clientèle Dacor 833-353-5483 (États-Unis), 844-509-4659 (Canada)
Du lundi au vendredi, de 8h à 20h, heure du Pacifique
Site Web : www.dacor.com

Lors de votre appel, munissez-vous de l'identifiant de modèle complet et du numéro de série de votre appareil. Voir la page 6 pour l'emplacement de l'étiquette. Inscrivez ces chiffres ci-dessous pour référence ultérieure.

Nom du modèle _____

Numéro de série _____

Date d'achat _____

Étant donné que Dacor améliore constamment la qualité et les performances de ses produits, nous pouvons être amenés à modifier l'appareil sans toutefois mettre à jour le présent manuel.

Visitez le site www.dacor.com pour télécharger la dernière version du présent manuel.

LISEZ TOUTES LES INSTRUCTIONS AVANT D'UTILISER CET APPAREIL

Les **informations de sécurité importantes** et les avertissements figurant dans le présent manuel ne peuvent pas couvrir l'ensemble des problèmes et scénarios potentiels. Faites preuve de bon sens et de prudence lors de l'installation, de l'entretien ou de l'utilisation de cet appareil.

Symboles utilisés dans ce manuel

DANGER

Dangers immédiats qui **ENTRAÎNERONT** des blessures graves ou la mort.

AVERTISSEMENT

Risques ou manipulations dangereuses susceptibles d'entraîner des **blessures graves, voire mortelles**.

ATTENTION

Risques ou manipulations dangereuses susceptibles d'entraîner **des blessures légères ou des dégâts matériels**.

REMARQUE

Conseils et instructions utiles.

Ces icônes et symboles d'avertissement sont là pour éviter de vous blesser ou de blesser d'autres personnes. Veuillez les suivre explicitement. Après avoir lu cette section, conservez-la dans un endroit sûr pour pouvoir la consulter ultérieurement.

Informations de sécurité importantes

Avertissement relatif à la proposition 65 de l'État de Californie

⚠ AVERTISSEMENT

Cancer et troubles de la fertilité - www.P65Warnings.ca.gov.

⚠ DANGER

IMPORTANT : Pour éviter tout risque d'explosion ou d'incendie, ne pas stocker et ne pas utiliser de vapeurs et de liquides inflammables ou explosifs (tels que l'essence) à l'intérieur ou à proximité de cet appareil ou de tout autre appareil. Éloignez de l'appareil les objets susceptibles d'exploser, comme les aérosols.

NE PAS stocker de matériaux inflammables ou explosifs dans des armoires ou des zones adjacentes.

⚠ AVERTISSEMENT

Ne **JAMAIS** utiliser cet appareil comme chauffage d'appoint pour réchauffer la pièce.

⚠ AVERTISSEMENT

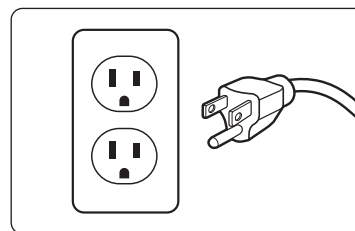
NE PAS utiliser d'eau sur les feux de graisse - étouffer le feu ou les flammes ou utiliser un extincteur à poudre ou à mousse.

⚠ AVERTISSEMENT

IMPORTANT : Cet appareil est équipé d'une prise électrique à trois broches avec mise à la terre aux fins de protection contre les risques de choc électrique. Il doit être branché sur

une prise électrique dédiée et mise à la terre. Si seule une prise électrique à deux broches est disponible, il incombe au client de la faire remplacer par une prise électrique à trois broches dédiée et correctement mise à la terre.

Pour éviter tout risque de choc électrique, vous ne devez en aucun cas :



- Couper ou retirer la troisième broche (terre) du cordon d'alimentation.
- Utiliser un adaptateur.
- Utiliser un cordon d'alimentation effiloché ou endommagé.
- Immerger le cordon d'alimentation ou la prise dans l'eau ou dans un autre liquide.
- Brancher l'appareil sur une rallonge électrique.

📄 REMARQUE

L'utilisation d'un disjoncteur différentiel de fuite à la terre (DDFT) n'est pas recommandée.

Sécurité générale

⚠ AVERTISSEMENT

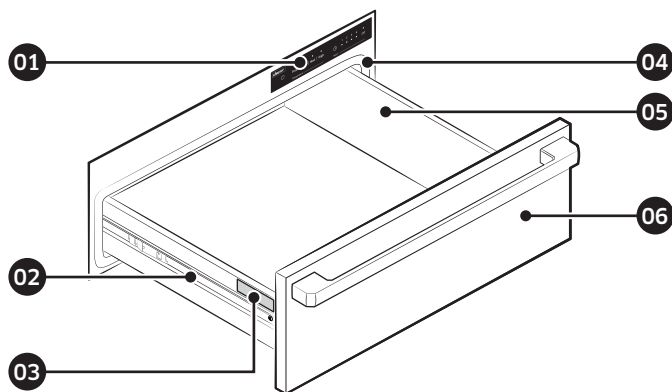
Pour réduire les risques d'incendie, de choc électrique, de blessures ou de décès, respectez les précautions suivantes.

- Lisez le présent manuel en intégralité avant d'utiliser cet appareil.
- N'utilisez cet appareil que pour l'usage auquel il est destiné, tel que décrit dans le présent manuel. Utilisez-le uniquement pour réchauffer des aliments et chauffer des assiettes et des ustensiles. Il n'est pas destiné à un usage commercial, industriel ou de laboratoire.
- **NE PAS** installer et ne pas utiliser un produit endommagé, dont le cordon ou la prise d'alimentation est endommagé, ou qui présente un quelconque dysfonctionnement. Renvoyez l'appareil au centre de service agréé le plus proche pour examen, réparation ou réglage.
- Assurez-vous que cet appareil a été correctement installé et mis à la terre par un installateur qualifié, conformément aux instructions d'installation qui l'accompagnent. Demandez à l'installateur de vous montrer l'emplacement de la prise électrique afin que vous sachiez où débrancher l'appareil.
- **NE PAS** réparer ou remplacer des pièces du tiroir chauffant à moins que cela soit spécifiquement recommandé dans la documentation qui l'accompagne. Toute autre réparation doit être effectuée par un technicien qualifié.
- L'utilisation d'accessoires non recommandés par le fabricant de l'appareil peut entraîner des blessures.
- Avant de procéder au nettoyage ou à tout autre type d'entretien, assurez-vous que la prise d'alimentation est débranchée de la prise murale et que l'appareil est froid.
- Gardez le cordon électrique à l'écart des surfaces chauffées.
- **NE PAS TOUCHER LES SURFACES CHAUDES DANS LE TIROIR CHAUFFANT OU SUR LE TIROIR CHAUFFANT PENDANT L'UTILISATION OU IMMÉDIATEMENT APRÈS L'UTILISATION.** Utilisez plutôt la poignée. Après utilisation, assurez-vous que ces surfaces ont eu le temps de refroidir avant de les toucher. Les éléments chauffants peuvent être chauds, même s'ils sont de couleur foncée.
- Pour réduire le risque d'incendie dans le tiroir chauffant, ne faites pas cuire les aliments excessivement. **NE PAS** le laisser sans surveillance avec du papier, du plastique ou d'autres matériaux combustibles à l'intérieur.
- **NE PAS** laisser la porte ouverte de manière prolongée lorsque le tiroir chauffant est allumé. Gardez la porte fermée, sauf lorsque l'ouvrir est nécessaire pour la cuisson ou le nettoyage.

- **NE PAS** utiliser à l'extérieur.
- Pour éviter tout risque d'incendie ou de brûlure, ne laissez pas de vêtements, maniques, serviettes ou chiffons entrer en contact avec une quelconque partie du tiroir chauffant pendant l'utilisation et immédiatement après l'utilisation. **NE PAS** porter de vêtements amples lorsque vous utilisez cet appareil.
- Si le contenu du tiroir chauffant s'enflamme, gardez le tiroir fermé et coupez l'alimentation au niveau du disjoncteur ou du tableau à fusibles.
- Soyez prudent en ouvrant le tiroir. Laissez l'air chaud ou la vapeur s'échapper avant de regarder dans le tiroir chauffant ou d'en saisir le contenu.
- Utilisez uniquement des maniques sèches pour retirer les aliments et les ustensiles de cuisine du tiroir chauffant. L'utilisation de maniques mouillées peut provoquer des brûlures de vapeur.
- **NE PAS** placer d'objets tels que des œufs entiers, des récipients scellés ou des bocaux en verre fermés dans le tiroir chauffant. Ils peuvent exploser sous l'effet de la chaleur et entraîner des blessures.
- **NE PAS** placer plus de 22 kilos de poids dans le tiroir.
- Nettoyez et entretenez régulièrement l'appareil comme indiqué dans le présent manuel. Nettoyez uniquement les pièces désignées dans le présent manuel, de la manière spécifiée.
- **NE PAS** utiliser de brosses abrasives ou de nettoyeurs ou détergents abrasifs/caustiques sur cet appareil. Ils pourraient endommager les finitions de manière irréversible. **NE PAS** utiliser de nettoyeurs en aérosol, car ils peuvent être inflammables ou entraîner la corrosion des pièces métalliques.
- Nettoyez soigneusement l'appareil avant de le faire fonctionner pour la première fois.
- Veillez à ce que le tiroir chauffant ne soit utilisé que par des personnes capables de le faire fonctionner correctement.
- **NE PAS** manipuler les commandes.
- Préchauffez le tiroir chauffant avant de l'utiliser.
- Ne **JAMAIS** laisser quiconque, y compris des enfants, s'asseoir, se tenir debout ou grimper sur une quelconque partie de l'appareil, y compris le tiroir. Cela peut faire basculer l'appareil ou l'endommager, ou entraîner des blessures graves ou la mort.
- **NE PAS** laisser des enfants seuls ou sans surveillance à proximité de l'appareil. **NE PAS** laisser d'enfants utiliser, jouer avec les commandes, tirer sur la poignée ou toucher d'autres pièces de l'appareil.
- **NE PAS** ranger d'objets susceptibles d'intéresser les enfants au-dessus du tiroir chauffant. Les enfants pourraient se brûler ou se blesser en grimpant sur l'appareil.

Vue d'ensemble

Disposition



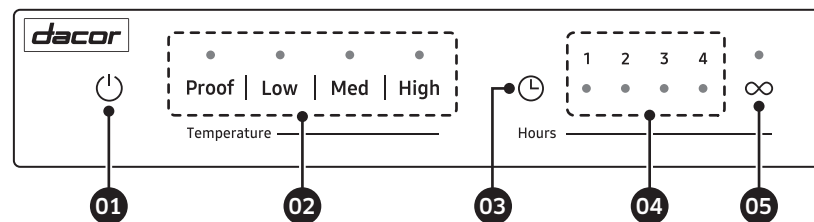
- | | | |
|---------------------|---------------------|---|
| 01 | 02 | 03 |
| Tableau de commande | Glissière du tiroir | Étiquette d'informations du produit (Sur la glissière externe gauche du tiroir) |
| 04 | 05 | 06 |
| Joint | Tiroir | Façade du tiroir* |

* Selon modèles. Modèle DWR30U900WS, DWR30U900WM illustré.

REMARQUE

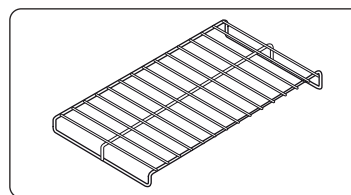
- Température ambiante minimale de fonctionnement : 32 °F (0 °C)
- Capacité du tiroir : 22 kilos

Panneaux de commande et affichages

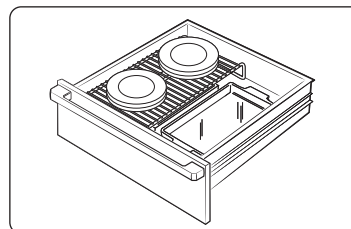


- | | | |
|-----------------------|--|---|
| 01 | 02 | 03 |
| Bouton d'alimentation | Temperature button (Bouton de température) | Hour Select button (Bouton de sélection de l'heure) |
| 04 | 05 | |
| Affichage des heures | Bouton continu | |

Grille



- Insérer la grille dans le tiroir.
- Préchauffer avec la grille en place.
- Utilisez la grille pour empiler deux étages de vaisselle.



- Empilage de deux étages d'articles avec la grille en position.

Avant de commencer

AVERTISSEMENT

- Lorsque le tiroir chauffant est allumé en mode continu (∞), il reste allumé jusqu'à ce que vous l'éteignez manuellement. Pour éviter tout risque d'incendie ou de brûlure, soyez prudent lorsque vous utilisez l'appareil en mode continu.
- La sécurité alimentaire fait partie intégrante de l'utilisation d'un tiroir chauffant. Les réglages de température **Proof (étuvage)** et **Low (faible)** peuvent favoriser la prolifération de bactéries. Utilisez les réglages **Med (moyenne)** et **High (désactivé)** si vous conservez certains aliments pendant plus de deux ou trois heures.
- Veuillez consulter le fabricant des plats pour connaître leur tolérance maximale à la chaleur.
- Les plats ou les assiettes peuvent être très chauds. Utilisez des maniques ou des gants pour retirer les plats chauds.

Préchauffage

Pour de meilleurs résultats, préchauffez votre tiroir chauffant pendant environ 20 minutes avant de l'utiliser. Si vous placez des aliments chauds dans un endroit frais et confiné, la vapeur présente forme de la condensation. En préchauffant votre tiroir chauffant, vous réduisez le risque de condensation. La durée de préchauffage varie en fonction du réglage de température.

Utilisation du tiroir chauffant

Fonctionnement

Le tiroir chauffant permet de conserver les aliments cuits et chauds à la température de service. Commencez toujours par les aliments chauds. NE PAS l'utiliser pour chauffer des aliments froids, autrement que pour fermenter la pâte à levure, donner du craquant aux crackers, chips et céréales sèches, réchauffer des pains et biscuits, ou réchauffer des plats ou des assiettes.

Le tiroir chauffant propose quatre réglages de température et une minuterie réglable d'une à quatre heures. Le tiroir chauffant propose également un mode de fonctionnement continu. Le tableau de la page suivante présente les réglages suggérés pour différents aliments.

Pour allumer l'appareil :

1. Appuyez sur la touche **Power** (⏻).
2. Appuyez sur la touche correspondant au réglage de température souhaité.

Réglage	Température*
Proof (étuvage)	100 °F (38 °C)
Low (faible)	140 °F (60 °C)
Med (moyenne)	167 °F (75 °C)
High (désactivé)	194 °F (90 °C)

* Les températures sont approximatives

3. Sélectionnez la durée pendant laquelle vous souhaitez que le tiroir chauffant soit allumé : Appuyez sur la touche **Hour Select** (⌚) jusqu'à ce que le nombre d'heures souhaité s'affiche sur le panneau de commande, ou Appuyez sur la touche **Continuous** (∞) pour maintenir l'appareil allumé en permanence. Après avoir sélectionné l'heure, le tiroir chauffant commence à chauffer.
4. Appuyez sur la touche **Power** (⏻) pour éteindre le tiroir chauffant lorsque vous avez terminé de l'utiliser.

Utilisation du tiroir chauffant

Utilisation de la fonction Sabbat

Ce tiroir chauffant est conçu afin de pouvoir fonctionner pendant le sabbat juif ou les fêtes juives.



Pour obtenir de l'aide, des directives d'utilisation et une liste complète des modèles dotés de la fonction Sabbat, visitez le site : <http://www.star-k.org>.

Récipients de service chauds

Pour réchauffer les assiettes et autres récipients de service :

- Placez-les délicatement dans le tiroir chauffant et réglez la température sur **Proof (étuvage)** ou **Low (faible)**, selon vos préférences. Ne pas faire glisser les assiettes dans le tiroir. Elles risquent de rayer la surface du tiroir.
- Avant d'utiliser de la vaisselle fragile dans le tiroir chauffant, déterminez la température maximale d'utilisation recommandée par le fabricant de la vaisselle. Il n'est pas nécessaire de préchauffer le tiroir chauffant pour réchauffer les plats de service.
- Vous pouvez également utiliser du film plastique sur les assiettes pour garder les aliments chauds et humides.

Conseils pour le réglage de la température

Aliment	Réglage de température	Couvert/non couvert
Bacon	High (désactivé)	Non couvert
Bœuf - saignant	Low (faible)	Couvert
Pain - petits pains	Low (faible)	Couvert
Pain - fermentation	Proof (étuvage)	Torchon humide
Plats mijotés	Low (faible)	Non couvert
Dîner	Med (moyenne)	Non couvert
Œufs	Low (faible)	Couvert
Poissons / fruits de mer	Low (faible)	Couvert
Aliments frits	High (désactivé)	Non couvert
Sauces, sauces à la crème	Low (faible)	Couvert
Jambon	Low (faible)	Couvert
Agneau	Low (faible)	Couvert
Crêpes	Low-Mid (faible à moyenne)	Couvert
Tartes - croûte simple	Low (faible)	Non couvert
Pizza	Low-Mid (faible à moyenne)	Couvert
Pommes de terre - au four	High (désactivé)	Non couvert
Volaille	High (désactivé)	Couvert
Légumes	Low (faible)	Couvert
Gaufres - croustillantes	High (désactivé)	Non couvert

Entretien

AVERTISSEMENT

- Pour éviter d'endommager de manière irréversible les surfaces de l'appareil, ne pas utiliser de nettoyeurs abrasifs ou d'éponges.
- Ne laissez pas d'acides (jus d'agrumes, sauce tomate, etc.) sur les surfaces du tiroir chauffant. La finition peut se tacher.
- N'essayez pas d'éliminer les déversements importants avec un objet tranchant comme un couteau ou une spatule métallique. Les objets tranchants peuvent rayer les surfaces.
- Essuyez toujours les surfaces en acier inoxydable dans le sens du grain.

Tableau de commande

Nettoyez le panneau de commande avec un chiffon doux imbibé d'une solution de nettoyage douce et d'eau chaude. Rincer et sécher à l'aide d'un chiffon doux. Veillez à ne pas introduire de liquides dans la zone située derrière le panneau de commande. Ne pas utiliser de nettoyeurs abrasifs. Ils peuvent endommager de façon irréversible la finition ou d'effacer les lettres et les icônes.

Poignée du tiroir

Nettoyez la poignée du tiroir à l'aide d'une solution de nettoyage douce et d'eau chaude. Rincer et sécher à l'aide d'un chiffon doux.

Vous pouvez également utiliser le nettoyeur pour acier inoxydable de la marque Dacor. Le produit est disponible auprès de votre revendeur Dacor. Utilisez-le conformément aux instructions figurant sur l'emballage.

Essuyez toujours les surfaces en acier inoxydable dans le sens du grain.

Surfaces en verre

Nettoyez toutes les surfaces vitrées à l'aide d'une solution de nettoyage douce et d'eau chaude. Vous pouvez également utiliser un nettoyeur doux pour vitres afin d'éliminer les traces de doigts ou les taches. Séchez complètement à l'aide d'un chiffon doux et non pelucheux.

Surfaces en laiton et en chrome

Nettoyez les surfaces en laiton et en chrome à l'aide d'une solution de nettoyage douce et d'eau chaude. Rincez, séchez et polissez la surface à l'aide d'un chiffon doux et non pelucheux.

Vous pouvez également utiliser le nettoyeur pour acier inoxydable de la marque Dacor. Le produit est disponible auprès de votre revendeur Dacor. Utilisez-le conformément aux instructions figurant sur l'emballage.

Surfaces peintes

Utiliser une solution de nettoyage douce et de l'eau chaude pour nettoyer la face avant des tiroirs chauffants qui présentent une finition peinte. Rincer et sécher à l'aide d'un chiffon doux. Ne pas utiliser de nettoyeurs abrasifs. Ils peuvent endommager la finition de manière irréversible.

Joint

Le joint se trouve sur le bord de l'ouverture du tiroir, sous le panneau de commande.

Nettoyez délicatement le joint à l'aide d'une solution de nettoyage douce et d'eau chaude. Rincer et sécher à l'aide d'un chiffon doux. Le matériau du joint est souple, veillez à ne pas l'écraser ou l'endommager. Si le joint est endommagé, l'étanchéité à la chaleur n'est plus assurée et le tiroir chauffant ne fonctionnera pas correctement.

Glissières du tiroir

Le tiroir chauffant est équipé de glissières placées de chaque côté du tiroir. Elles permettent au tiroir de coulisser en douceur. Retirez le tiroir des glissières pour faciliter le nettoyage ou pour accéder à la plaque signalétique indiquant le numéro de série de l'appareil. Les glissières des tiroirs ne nécessitent pas d'entretien.

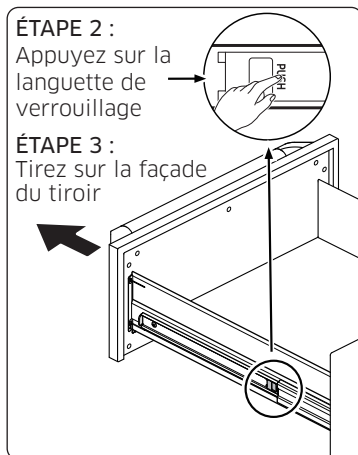
Grille

Nettoyez la grille du tiroir à l'aide d'une solution de nettoyage douce et d'eau chaude. Rincer et sécher à l'aide d'un chiffon doux.

Entretien

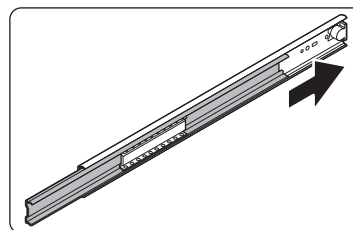
Retrait du tiroir

Retirez le tiroir de l'appareil pour faciliter l'accès aux trous de fixation lors de l'installation et pour réduire le poids :

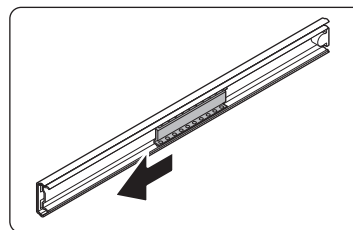


1. Tirez le tiroir jusqu'à ce qu'il soit complètement ouvert.
2. Appuyez sur la languette de verrouillage des deux côtés tout en tirant le tiroir.
3. Pour plus de sécurité, poussez les deux glissières du tiroir dans l'ouverture du tiroir.

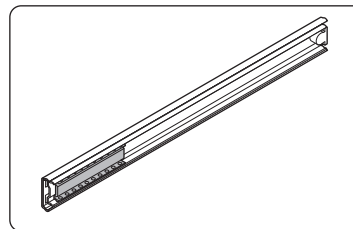
Réinstallation du tiroir



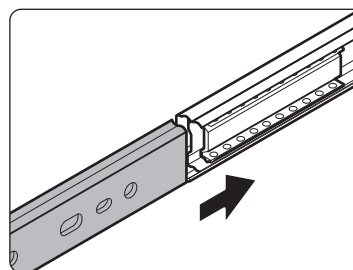
1. Poussez le rail jusqu'à ce qu'il atteigne l'extrémité du châssis.



2. Tirez le dispositif de retenue jusqu'à l'avant du rail.



3. Insérez à peine un côté du rail du tiroir dans le rail du châssis.
4. Répétez l'opération de l'autre côté.
5. Ouvrez et fermez doucement le tiroir pour vérifier qu'il est correctement installé.



Dépannage

Dépannage

Dacor met tout en œuvre pour que vous ne rencontriez aucun problème avec votre nouveau tiroir chauffant. Si vous rencontrez un problème inattendu, cherchez d'abord une solution dans le tableau ci-dessous. Si vous rencontrez toujours des difficultés après avoir essayé la solution suggérée, appelez le centre de contact Dacor au 833-353-5483.

Problème	Cause possible	Solution
Rien ne fonctionne.	La prise d'alimentation est débranchée.	Branchez le tiroir chauffant sur une prise électrique dédiée de 120 V CA, 15 ampères.
	La minuterie n'est pas réglée.	Sélectionnez la durée selon la section Utilisation du tiroir chauffant .
	Déclenchement du disjoncteur ou fusible grillé.	Vérifiez le disjoncteur ou le tableau des fusibles : un disjoncteur s'est déclenché ou un fusible a grillé.
	Température ambiante inférieure à 0 °C (32 °F).	La température environnante du tiroir chauffant doit être supérieure au point de gel.
Le tiroir ne coulisse pas en douceur ou frotte.	Le tiroir est mal monté dans le mécanisme de coulissement.	Remontez le tiroir dans la glissière, en suivant les instructions ci-dessus.
	Le tiroir contient une charge trop lourde ou déséquilibrée.	Réduisez le poids à moins de 22 kg. Répartissez mieux le contenu du tiroir.
Condensation excessive.	Le tiroir chauffant n'a pas été préchauffé.	Préchauffez le tiroir chauffant avant chaque utilisation.
Un ou plusieurs voyants lumineux du panneau de commande clignotent (0,5 seconde allumé, 0,5 seconde éteint).	L'ordinateur du panneau de commande a détecté une erreur : #1 - Erreur de température #2 - Erreur de capteur #3 - Erreur de clavier #4 - Erreur de commande	Essayez de réinitialiser l'ordinateur. Débranchez le cordon d'alimentation, attendez 20 secondes, puis rebranchez-le. Vérifiez le panneau de commande. Si le voyant clignote toujours, appelez un technicien. Voir la page 11.

Garantie et service après-vente

Obtenir de l'aide

Avant de demander l'assistance d'un technicien :

1. Consultez la section **Dépannage** de ce manuel.
2. Utilisez les conseils utiles que vous trouverez dans notre **Dépannage**.
3. Familiarisez-vous avec les conditions de garantie de votre produit.
4. Si aucun de ces conseils ou suggestions ne résout votre problème, appelez notre service clientèle au numéro ci-dessous.

Le centre de service à la clientèle de Dacor est joignable de 8h00 à 20h00, heure du Pacifique.

Pour les réparations sous garantie, pour toute question ou pour le Dacor Distinctive Service (DDS) aux États-Unis et au Canada 833-353-5483 (États-Unis), 844-509-4659 (Canada)

Pour les réparations non couvertes par la garantie ou pour toute question aux États-Unis et au Canada

Téléphone 833-353-5483 (États-Unis), 844-509-4659 (Canada)

Contactez-nous sur notre site Internet : www.dacor.com

Garantie et service après-vente

Garantie

NE LE JETEZ PAS.

Ce qui est couvert

**CERTIFICAT DE GARANTIES : TIROIR CHAUFFANT DACOR
DANS LES CINQUANTE ÉTATS DES ÉTATS-UNIS, LE DISTRICT DE COLUMBIA ET LE
CANADA :**

GARANTIE COMPLÈTE DE DEUX ANS

La garantie s'applique uniquement à l'appareil Dacor vendu à l'acheteur initial, à partir de la date d'achat initiale ou de la date de clôture en cas de nouvelle fabrication, selon la période la plus longue. La garantie est valable pour les produits achetés neufs auprès d'un revendeur agréé Dacor ou d'un autre vendeur autorisé par Dacor.

Si votre produit Dacor ne fonctionne pas dans l'année qui suit la date d'achat initiale, en raison d'un défaut de matériau ou de fabrication, Dacor y remédiera sans frais pour vous.

Tous les dommages esthétiques (tels que les rayures sur l'acier inoxydable, les taches de peinture/porcelaine, etc.) du produit ou des accessoires inclus doivent être signalés à Dacor dans les 60 jours suivant la date d'achat initiale pour pouvoir bénéficier de la garantie. Les pièces consommables telles que les filtres et les ampoules ne sont pas couvertes et relèvent de la responsabilité de l'acheteur.

LIMITES DE LA COUVERTURE

Le service sera fourni par une société de service désignée par Dacor pendant les heures normales de bureau. Veuillez noter que les fournisseurs de services sont des entités indépendantes et ne sont pas des agents de Dacor.

Les produits exposés par les revendeurs et les maisons modèles dont la date de production est supérieure à 5 ans, les produits vendus « tels quels » et les produits installés pour un usage non résidentiel, ce qui inclut, sans s'y limiter, les organisations religieuses, les casernes de pompiers, les chambres d'hôtes et les spas, sont couverts par une garantie d'un an sur les pièces uniquement. Tous les frais de livraison, d'installation, de main-d'œuvre et autres frais de réparation sont à la charge de l'acheteur.

La garantie sera nulle et non avenue sur les produits dont les numéros de série et les étiquettes sont altérés, dégradés ou manquants.

Le propriétaire doit fournir une preuve d'achat ou une déclaration de clôture pour une nouvelle construction sur demande. Tous les produits Dacor doivent être accessibles pour la réparation.

La garantie est nulle et non avenue si un produit non approuvé ETL ou non CUL est transporté depuis les États-Unis.

EN DEHORS DES CINQUANTE ÉTATS DES ÉTATS-UNIS, DU DISTRICT DE COLUMBIA ET DU CANADA :

GARANTIE LIMITÉE DE DEUX ANS

Si votre produit Dacor présente un dysfonctionnement dans l'année qui suit la date d'achat originale, en raison d'un défaut de matériau ou de fabrication, Dacor fournira une nouvelle pièce, FOB usine, pour remplacer la pièce défectueuse.

Tous les frais de livraison, d'installation, de main-d'œuvre et autres frais de service sont à la charge de l'acheteur.

Ce qui n'est pas couvert

- De légères variations de couleur peuvent être remarquées en raison des différences dans les pièces peintes, l'éclairage de la cuisine, le placement des produits et d'autres facteurs; cette garantie ne s'applique pas aux variations de couleur.
- Appels de service pour former le client à l'utilisation et à l'entretien corrects du produit.
- Frais de service pour les déplacements vers les îles et les régions éloignées, qui comprennent, sans s'y limiter, les ferries, les routes à péage ou d'autres frais de déplacement.
- Dommages indirects ou accessoires, y compris, mais sans s'y limiter, la perte de nourriture ou de médicaments, le temps d'absence du travail ou les repas au restaurant.
- Défaillance du produit lorsqu'il est utilisé à des fins commerciales, d'affaires, de location ou pour toute application autre qu'un usage résidentiel grand public.
- Défaillance du produit causée par une mauvaise installation du produit.
- Remplacement des fusibles de la maison, des boîtes à fusibles ou réarmement des disjoncteurs.

Notes

- Dommages au produit causés par un accident, un incendie, une inondation, une coupure de courant, des surtensions ou d'autres catastrophes naturelles.
- Responsabilité ou responsabilité pour les dommages aux biens environnants, y compris les armoires, les sols, les plafonds et autres structures ou objets autour du produit.
- Bris, décoloration ou dommages au verre, aux surfaces métalliques, aux composants en plastique, aux garnitures, à la peinture ou à toute autre finition cosmétique causés par une utilisation, un entretien, un abus ou une négligence inappropriés.

Hors garantie

Si vous rencontrez un problème de service après-vente en dehors de la période de garantie standard, veuillez nous contacter. Dacor examine chaque problème et préoccupation du client pour fournir la meilleure solution possible en fonction des circonstances.

LES RECOURS PRÉVUS DANS LES GARANTIES EXPRESSES CI-DESSUS SONT LES SEULS ET UNIQUES RECOURS. PAR CONSÉQUENT, AUCUNE AUTRE GARANTIE EXPRESSE N'EST OFFERTE, ET EN DEHORS DES CINQUANTE ÉTATS DES ÉTATS-UNIS, DU DISTRICT DE COLUMBIA ET DU CANADA, TOUTES LES GARANTIES IMPLICITES, Y COMPRIS, MAIS SANS S'Y LIMITER, TOUTE GARANTIE IMPLICITE DE QUALITÉ MARCHANDE OU D'ADÉQUATION À UN USAGE OU À UN USAGE PARTICULIER, SONT LIMITÉS DANS LA DURÉE À UN AN À COMPTER DE LA DATE D'ACHAT INITIALE. EN AUCUN CAS, DACOR NE POURRA ÊTRE TENU RESPONSABLE DES FRAIS ACCESSOIRES OU DES DOMMAGES INDIRECTS. SI DACOR L'EMPORTE DANS UN PROCÈS, DACOR AURA DROIT AU REMBOURSEMENT DE TOUS LES FRAIS ET DÉPENSES, Y COMPRIS LES HONORAIRES D'AVOCAT, PAR LE CLIENT DE DACOR. AUCUNE GARANTIE, EXPRESSE OU IMPLICITE, N'EST FAITE À UN ACHETEUR POUR LA REVENTE.

Certains États n'autorisent pas la limitation de la durée d'une garantie implicite, ou n'autorisent pas l'exclusion ou la limitation des dommages directs, ainsi les limitations ou exclusions ci-dessus peuvent ne pas s'appliquer dans votre situation. Cette garantie vous donne des droits légaux spécifiques, et vous pouvez également avoir d'autres droits qui varient d'un état à l'autre.

Notes

Notes

dacor



DG68-01551A-00