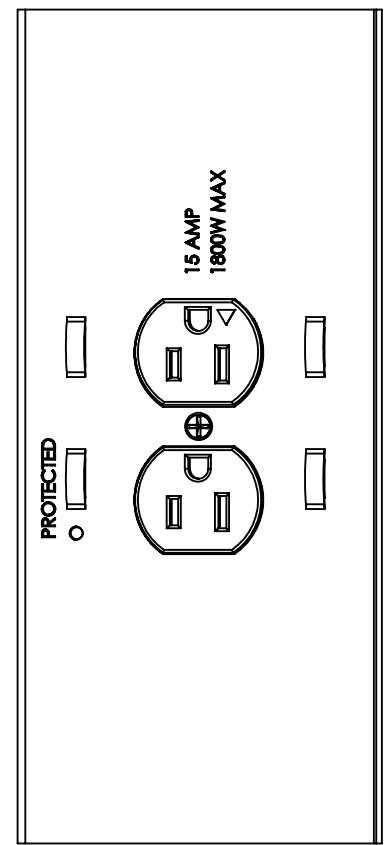
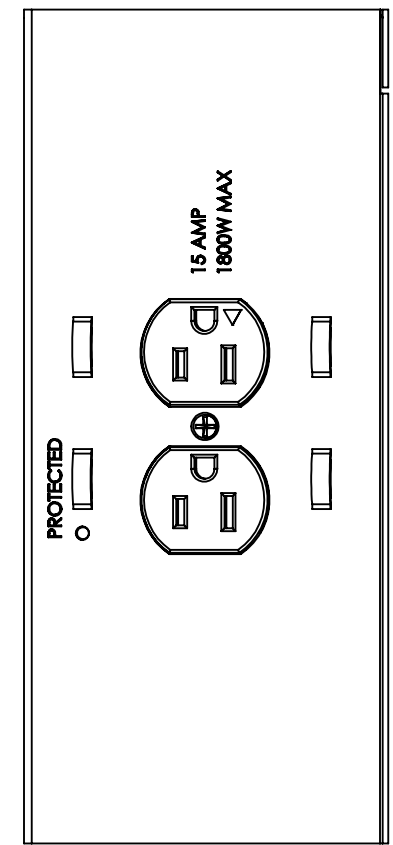


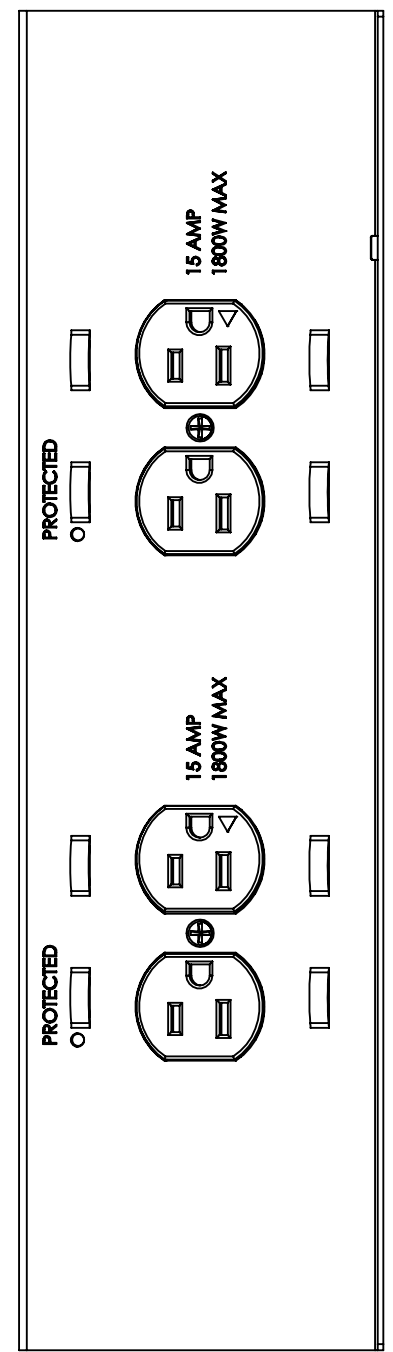
PAC525P2-KIT



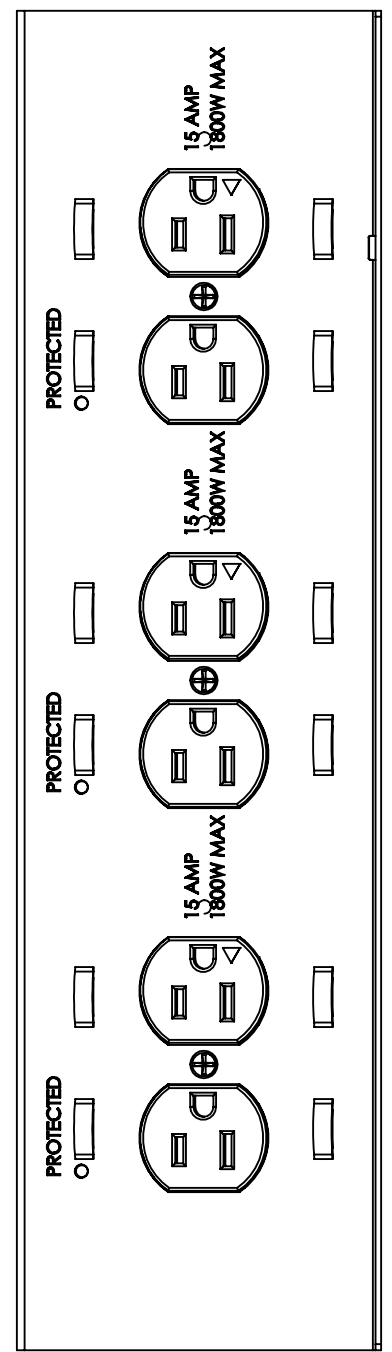
PAC526P2-KIT



PAC526P4-KIT



PAC526P6-KIT



15 AMP AC LINE POWER CONDITIONER (OUTPUT: 15A, 1800 W CONTINUOUS)

4x14 AWG STRANDED WIRE W/ ISOLATED GROUND

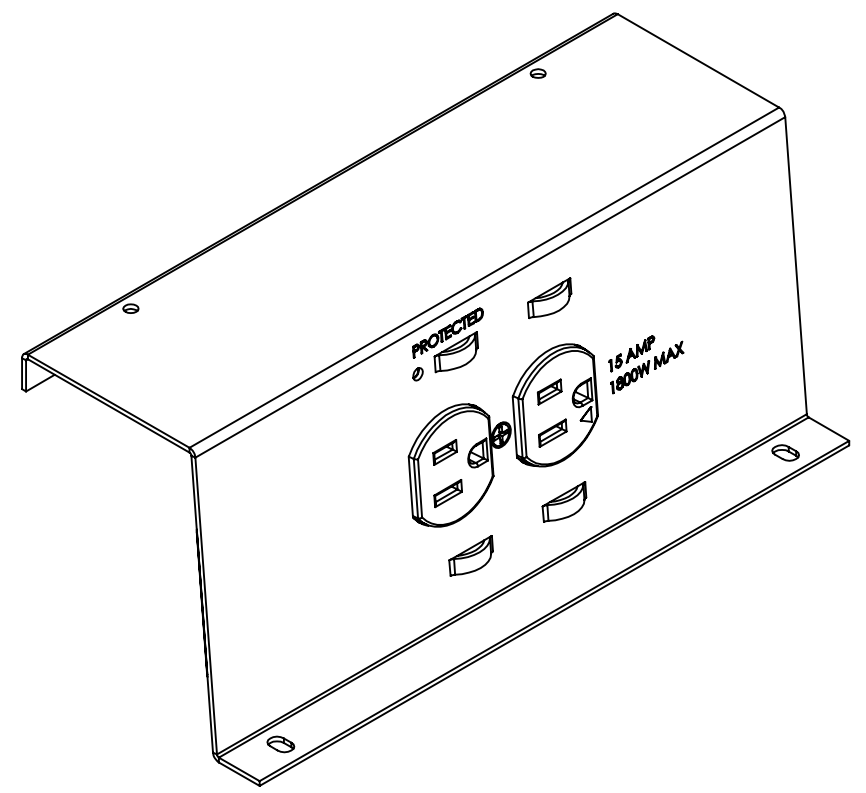
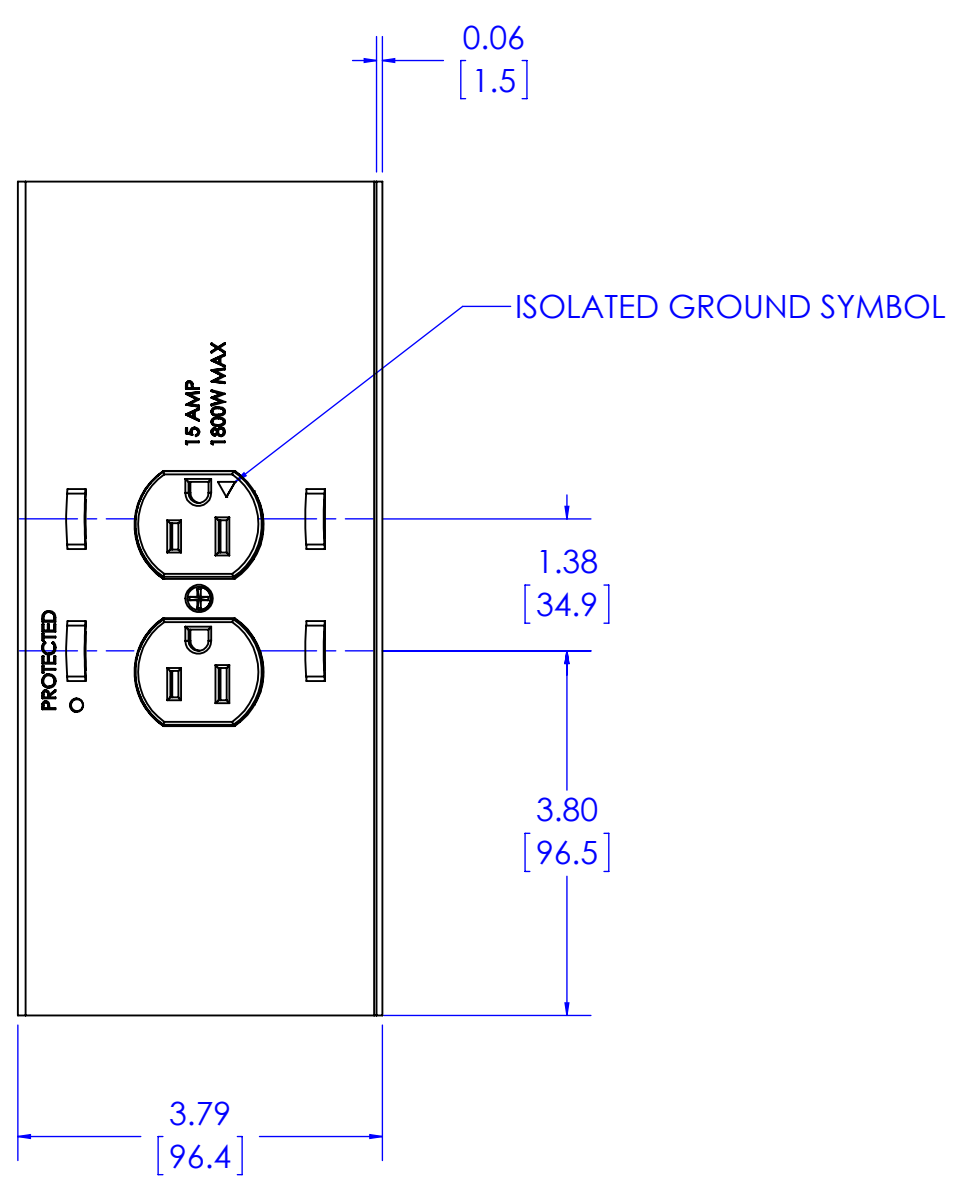
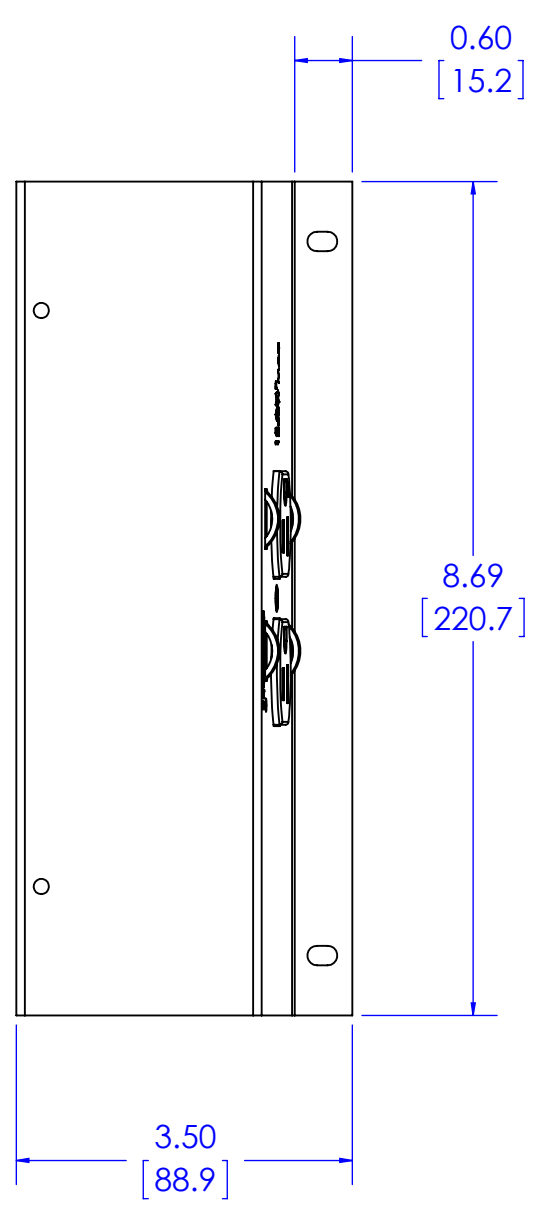
SURGE PROTECTION

EMI/RFI FILTERING

POWER CONSUMPTION: <0.5 WATT

THE INFORMATION AND DESIGNS CONTAINED IN THIS DRAWING ARE CONFIDENTIAL AND THE PROPRIETARY PROPERTY OF MILESTONE AV TECHNOLOGIES NEITHER THIS DESIGN NOR ANY INFORMATION CONTAINED IN THIS DRAWING MAY BE REPRODUCED OR DISCLOSED TO OTHERS WITHOUT THE EXPRESS WRITTEN CONSENT OF MILESTONE AV TECHNOLOGIES.

CAD GENERATED DRAWING, DO NOT MANUALLY UPDATE.			<p>6436 CITY WEST PKWY EDEN PRAIRIE MN, 55344 PHONE: 866-977-3901 FAX: 877-894-6918</p>
DRAWN BY	MM	9/8/2015	
ENG APPROVAL			DESCRIPTION
MFG APPROVAL			PAC525/526 RETRO-FIT POWER KITS
QA APPROVAL			MODEL NO.
SHEET 1 OF 5			PAC525/526-KIT
SCALE	1:2	SIZE	DWG. NO.
		B	TECH-000727
		REV.	00



15 AMP AC LINE POWER CONDITIONER (OUTPUT: 15A, 1800 W CONTINUOUS)

4x14 AWG STRANDED WIRE W/ ISOLATED GROUND

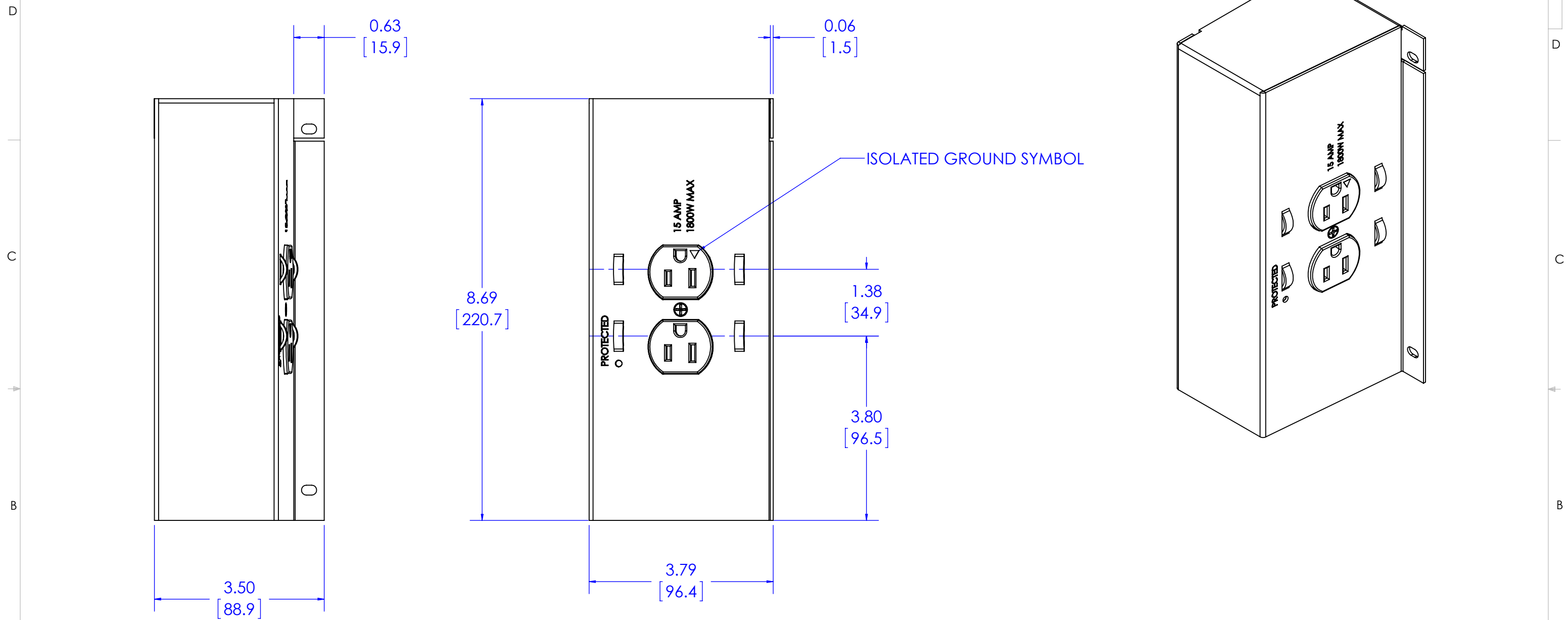
SURGE PROTECTION

EMI/RFI FILTERING

POWER CONSUMPTION: <0.5 WATT

THE INFORMATION AND DESIGNS CONTAINED IN THIS DRAWING ARE CONFIDENTIAL AND THE PROPRIETARY PROPERTY OF MILESTONE AV TECHNOLOGIES NEITHER THIS DESIGN NOR ANY INFORMATION CONTAINED IN THIS DRAWING MAY BE REPRODUCED OR DISCLOSED TO OTHERS WITHOUT THE EXPRESS WRITTEN CONSENT OF MILESTONE AV TECHNOLOGIES.

CAD GENERATED DRAWING, DO NOT MANUALLY UPDATE.			6436 CITY WEST PKWY EDEN PRAIRIE MN, 55344 PHONE: 866-977-3901 FAX: 877-894-6918	
DRAWN BY	MM	9/8/2015		
ENG APPROVAL			DESCRIPTION PAC525/526 RETRO-FIT POWER KITS	
MFG APPROVAL			MODEL NO. PAC525/526-KIT	
QA APPROVAL			SIZE B	DWG. NO. TECH-000727
SHEET 2 OF 5			SCALE 1:2	REV. 00



15 AMP AC LINE POWER CONDITIONER (OUTPUT: 15A, 1800 W CONTINUOUS)

4x14 AWG STRANDED WIRE W/ ISOLATED GROUND

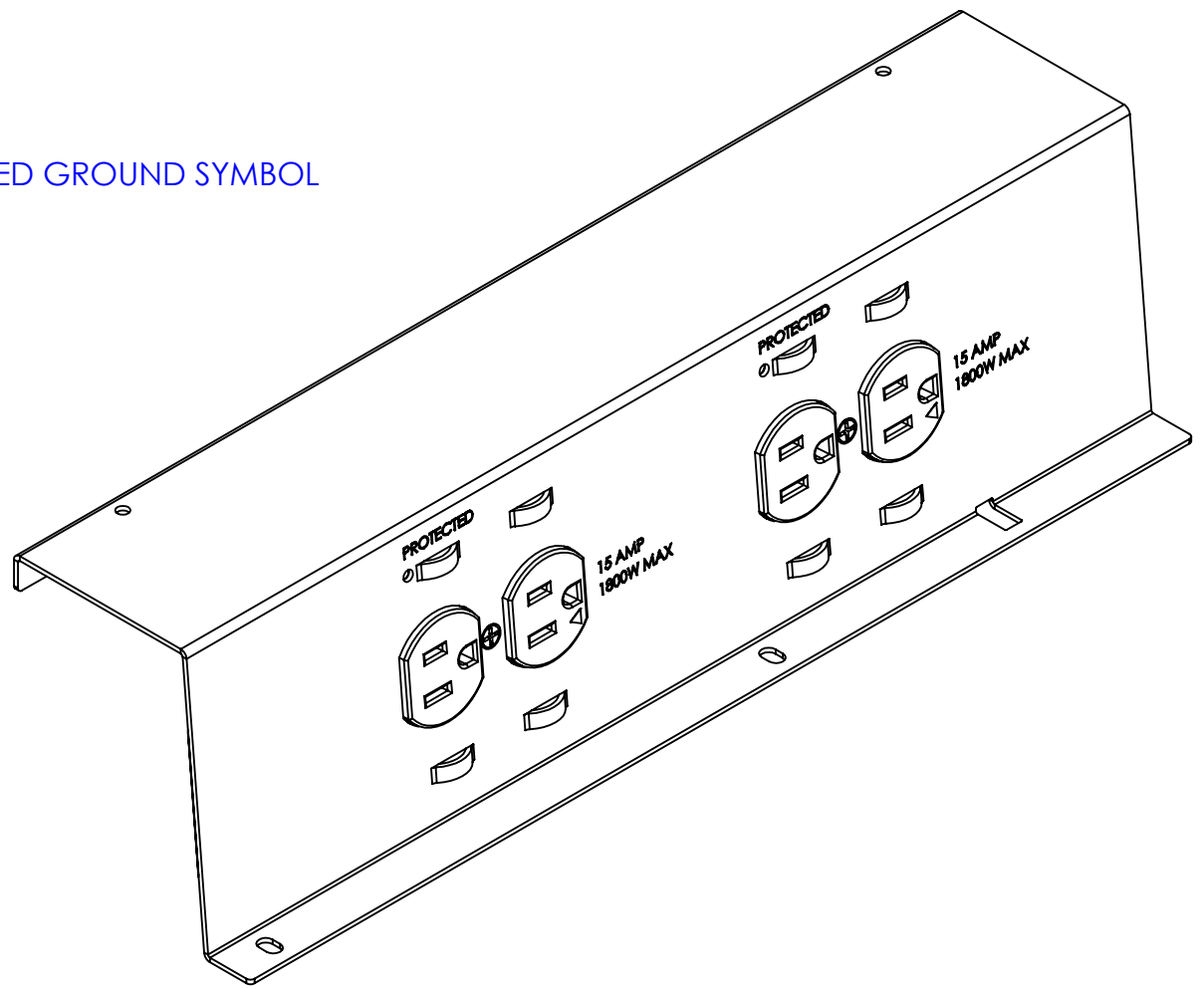
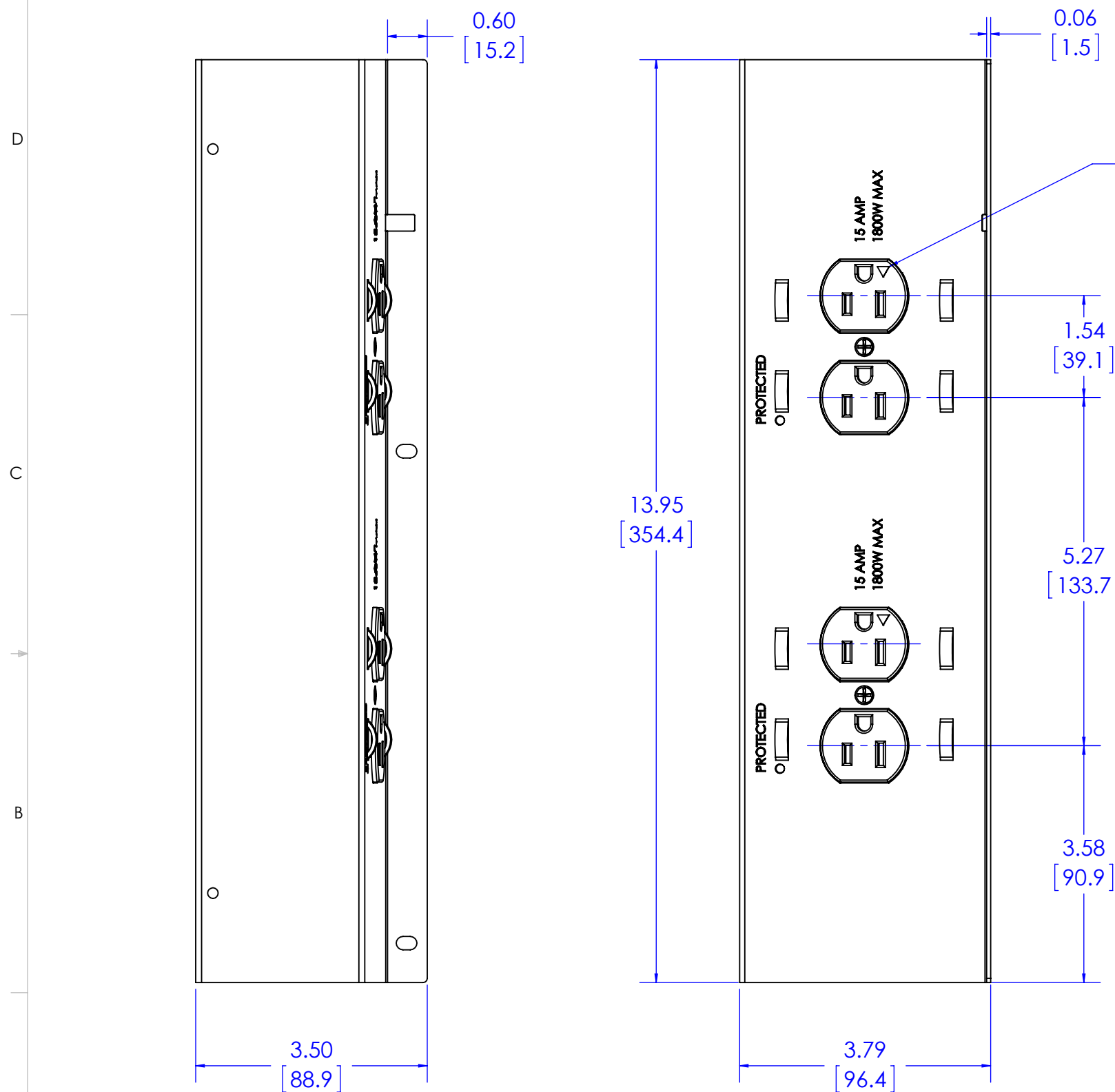
SURGE PROTECTION

EMI/RFI FILTERING

POWER CONSUMPTION: <0.5 WATT

THE INFORMATION AND DESIGNS CONTAINED IN THIS DRAWING ARE CONFIDENTIAL AND THE PROPRIETARY PROPERTY OF MILESTONE AV TECHNOLOGIES NEITHER THIS DESIGN NOR ANY INFORMATION CONTAINED IN THIS DRAWING MAY BE REPRODUCED OR DISCLOSED TO OTHERS WITHOUT THE EXPRESS WRITTEN CONSENT OF MILESTONE AV TECHNOLOGIES.

CAD GENERATED DRAWING, DO NOT MANUALLY UPDATE.			6436 CITY WEST PKWY EDEN PRAIRIE MN, 55344 PHONE: 866-977-3901 FAX: 877-894-6918	
DRAWN BY	MM	9/8/2015		
ENG APPROVAL			DESCRIPTION PAC525/526 RETRO-FIT POWER KITS	
MFG APPROVAL			MODEL NO. PAC525/526-KIT	
QA APPROVAL			SIZE B	DWG. NO. TECH-000727
SHEET 3 OF 5			SCALE 1:2	REV. 00



15 AMP AC LINE POWER CONDITIONER (OUTPUT: 15A, 1800 W CONTINUOUS)

4x14 AWG STRANDED WIRE W/ ISOLATED GROUND

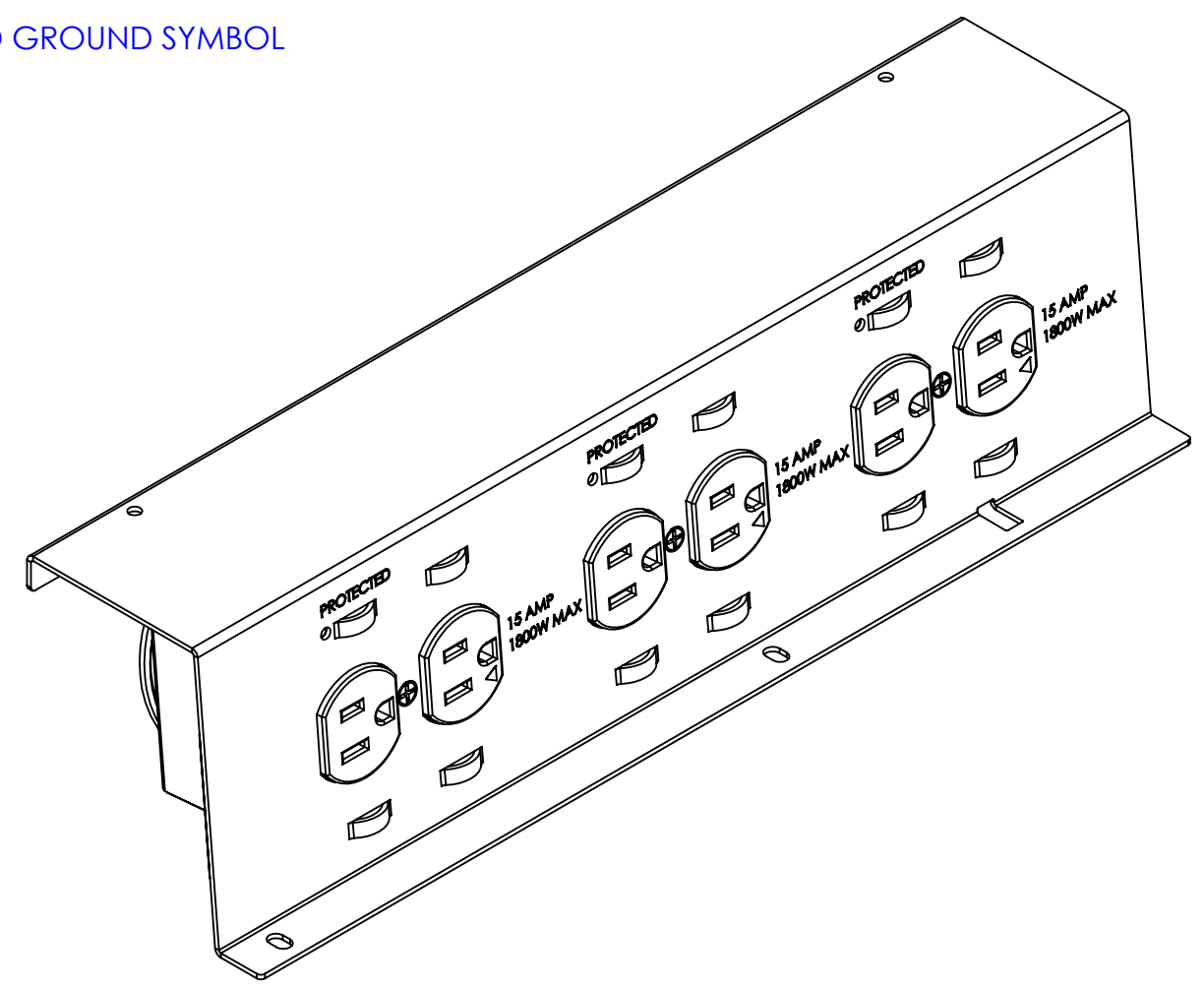
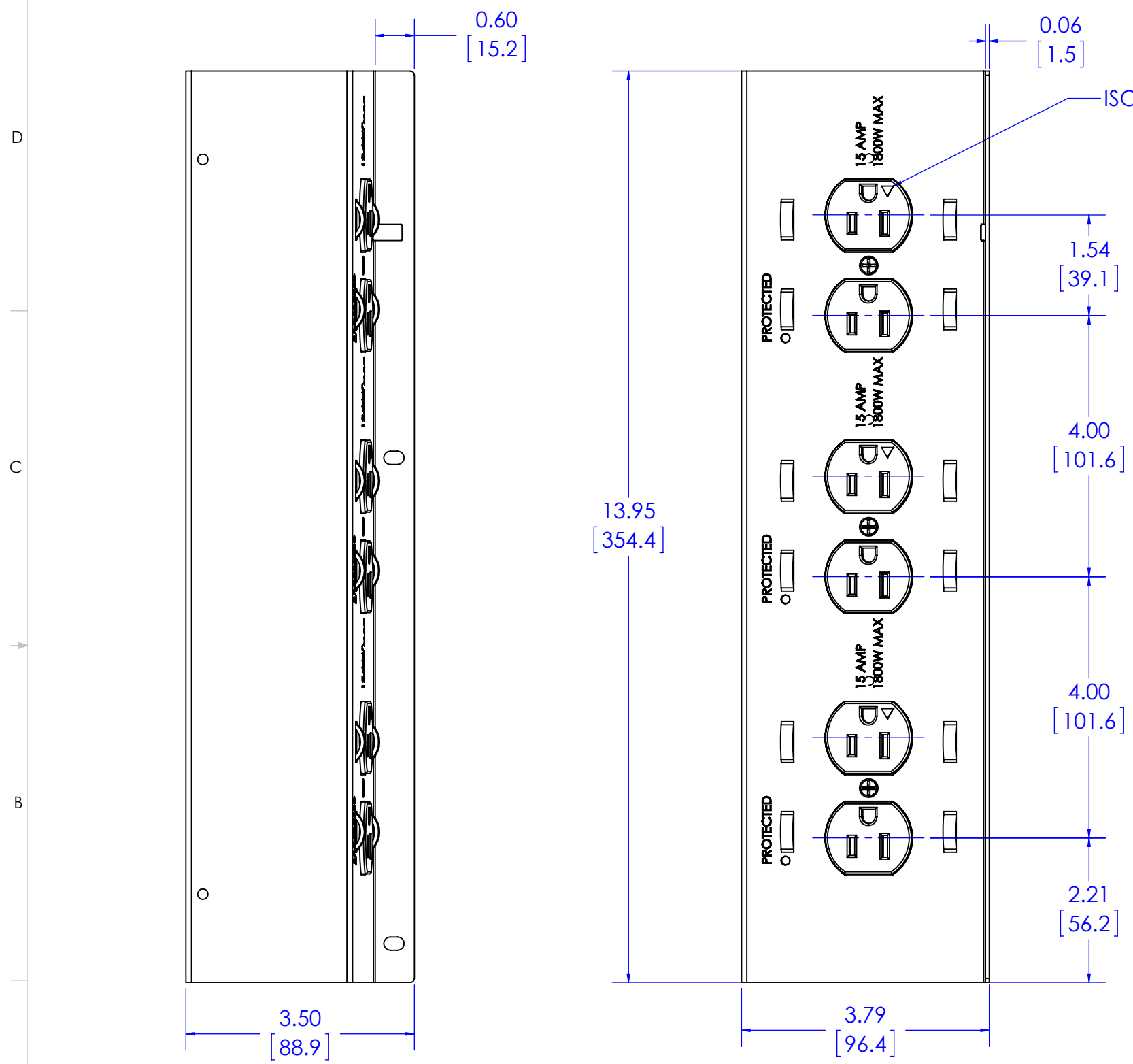
SURGE PROTECTION

EMI/RFI FILTERING

POWER CONSUMPTION: <0.5 WATT

THE INFORMATION AND DESIGNS CONTAINED IN THIS DRAWING ARE CONFIDENTIAL AND THE PROPRIETARY PROPERTY OF MILESTONE AV TECHNOLOGIES NEITHER THIS DESIGN NOR ANY INFORMATION CONTAINED IN THIS DRAWING MAY BE REPRODUCED OR DISCLOSED TO OTHERS WITHOUT THE EXPRESS WRITTEN CONSENT OF MILESTONE AV TECHNOLOGIES.

CAD GENERATED DRAWING, DO NOT MANUALLY UPDATE.			6436 CITY WEST PKWY EDEN PRAIRIE MN, 55344 PHONE: 866-977-3901 FAX: 877-894-6918	
DRAWN BY	MM	9/8/2015		
ENG APPROVAL			DESCRIPTION PAC525/526 RETRO-FIT POWER KITS	
MFG APPROVAL			MODEL NO. PAC525/526-KIT	
QA APPROVAL			SCALE 1:2	SIZE B
SHEET 4 OF 5			DWG. NO. TECH-000727	REV. 00



15 AMP AC LINE POWER CONDITIONER (OUTPUT: 15A, 1800 W CONTINUOUS)

4x14 AWG STRANDED WIRE W/ ISOLATED GROUND

SURGE PROTECTION

EMI/RFI FILTERING

POWER CONSUMPTION: <0.5 WATT

THE INFORMATION AND DESIGNS CONTAINED IN THIS DRAWING ARE CONFIDENTIAL AND THE PROPRIETARY PROPERTY OF MILESTONE AV TECHNOLOGIES NEITHER THIS DESIGN NOR ANY INFORMATION CONTAINED IN THIS DRAWING MAY BE REPRODUCED OR DISCLOSED TO OTHERS WITHOUT THE EXPRESS WRITTEN CONSENT OF MILESTONE AV TECHNOLOGIES.

CAD GENERATED DRAWING, DO NOT MANUALLY UPDATE.			6436 CITY WEST PKWY EDEN PRAIRIE MN, 55344 PHONE: 866-977-3901 FAX: 877-894-6918	
DRAWN BY	MM	9/8/2015		
ENG APPROVAL			DESCRIPTION PAC525/526 RETRO-FIT POWER KITS	
MFG APPROVAL			MODEL NO. PAC525/526-KIT	
QA APPROVAL			SCALE 1:2	SIZE B
SHEET 5 OF 5			DWG. NO. TECH-000727	REV. 00