



C A F É

DISTINCT BY DESIGN

Owner's Manual





DISTINCT BY DESIGN™

Owner's Manual and Installation Instructions

Bottom Freezer Refrigerators

Models CGE

Contents

Safety Information	3	Troubleshooting	34
Using the Refrigerator		Normal Operating Conditions	34
Features	6	Troubleshooting Tips	35
Controls	7	Truth or Myth	37
Sabbath Mode	7	Limited Warranty	39
AutoFill	9	Consumer Support	
WiFi	10	XWFE Water Filter Cartridge	
Demand Response	11	Limited Warranty	40
Water Filter	12	Performance Data Sheet	41
Refrigerator Storage	13	Consumer Support	44
Automatic Ice maker	17		
Care And Cleaning	18		
Replacing the Lights	19		
Installation Instructions			
Preparing to Install the Refrigerator	20		
Installing the Refrigerator	23		
Installing the Water Line	31		

Write the model and serial numbers here:

Model # _____

Serial # _____

Find these numbers on a label on the left side, near the middle of the refrigerator compartment.

ENGLISH/FRANÇAIS/ESPAÑOL

THANK YOU FOR MAKING CAFÉ A PART OF YOUR HOME.

We take pride in the craftsmanship, innovation and design that goes into every Café product, and we think you will too. Among other things, registration of your appliance ensures that we can deliver important product information and warranty details when you need them.

Register your Café appliance now online. Helpful websites are available in the Consumer Support section of this Owner's Manual. You may also mail in the pre-printed registration card included in the packing material.

C A F É

DISTINCT BY DESIGN™

IMPORTANT SAFETY INFORMATION

READ ALL INSTRUCTIONS BEFORE USING THE APPLIANCE

⚠ WARNING To reduce the risk of fire, explosion, electric shock, or injury when using your refrigerator, follow these basic safety precautions:

- This refrigerator must be properly installed and located in accordance with the Installation Instructions before it is used.
- Unplug the refrigerator before making repairs or cleaning.

NOTE: Power to the refrigerator cannot be disconnected by any setting on the control panel.

NOTE: Repairs must be performed by a qualified Service Professional.
- Replace all parts and panels before operating.
- Do not use an extension cord.
- Do not store or use gasoline or other flammable vapors and liquids in the vicinity of this or any other appliance.
- Do not store explosive substances such as aerosol cans with a flammable propellant in this appliance.
- To prevent suffocation and entrapment hazards to children, remove the fresh food and freezer doors from any refrigerator before disposing of it or discontinuing its use.
- To avoid serious injury or death, children should not stand on, or play in or with the appliance.
- Children and persons with reduced physical, sensory or mental capabilities or lack of experience and knowledge can use this appliance only if they are supervised or have been given instructions on safe use and understand the hazards involved.
- This appliance is intended to be used in household and similar applications such as: staff kitchen areas in shops, offices and other working environments; farm houses; by clients in hotels, motels, bed & breakfast and other residential environments; catering and similar non-retail applications.
- Connect to potable water supply only. A cold water supply is required for automatic icemaker operation. The water pressure must be between 40 and 120 psi (275-827 kilopascals).
- Do not apply harsh cleaners to the refrigerator. Certain cleaners will damage plastic which may cause parts such as the door or door handles to detach unexpectedly. See the Care and Cleaning section in your Owner's Manual for detailed instructions.

⚠ CAUTION To reduce the risk of injury when using your refrigerator, follow these basic safety precautions:

- Do not clean glass shelves or covers with warm water when they are cold. Glass shelves and covers may break if exposed to sudden temperature changes or impact, such as bumping or dropping. Tempered glass is designed to shatter into many small pieces if it breaks.
- Keep fingers out of the "pinch point" areas; clearances between the doors and between the doors and cabinet are necessarily small. Be careful closing doors when children are in the area.
- Do not refreeze frozen foods which have thawed completely.
- Do not touch the cold surfaces in the freezer compartment when hands are damp or wet, skin may stick to these extremely cold surfaces.
- In refrigerators with automatic icemakers, avoid contact with the moving parts of the ejector mechanism, or with the heating element that releases the cubes. Do not place fingers or hands on the automatic ice making mechanism while the refrigerator is plugged in.
- Use a sturdy glass when dispensing ice (on models with ice dispenser).
- Install the AutoFill Pitcher fully in its base to prevent it from falling out when the refrigerator door is opened. The pitcher is heavy when full of water and could cause injury if it falls out or is dropped.

⚠ WARNING  **FIRE OR EXPLOSION HAZARD**

Keep flammable materials and vapors away from refrigerator. Failure to do so can result in fire, explosion, or death.

READ AND SAVE THESE INSTRUCTIONS

IMPORTANT SAFETY INFORMATION

READ ALL INSTRUCTIONS BEFORE USING THE APPLIANCE


WARNING **FIRE OR EXPLOSION HAZARD Flammable Refrigerant**

This appliance contains isobutane refrigerant, also known as R600a, a natural gas with high environmental compatibility. However, it is also combustible. Adhere to the warnings below to reduce the risk of injury or property damage.

- When handling, installing and operating the appliance, care should be taken to avoid damage to the refrigerant tubing.
- Service shall only be performed by authorized service personnel. Use only manufacturer-authorized service parts.
- Dispose of refrigerator in accordance with Federal and Local Regulations. The flammable refrigerant and insulation material used in this product require special disposal procedures. Contact your local authorities for

the environmentally safe disposal of your refrigerator.

- Keep ventilation openings in the appliance enclosures or in the built-in structure clear of obstruction.
- To remove frost, scrape with a plastic or wood spatula or scraper. Do not use an ice pick or a metal, or sharp-edged instrument as it may puncture the freezer liner and then the flammable refrigerant tubing behind it.
- Do not use electrical appliances inside the food storage compartment of the appliance.
- Do not use any electrical device to defrost your freezer.

 WARNING To reduce the risk associated with choking, do not allow children under 3 years of age to have access to small parts during the installation of this product.

CONNECTING ELECTRICITY

WARNING **ELECTRICAL SHOCK HAZARD**

Plug into a grounded 3-prong outlet

Do not remove the ground prong

Do not use an adapter

Do not use an extension cord

Failure to follow these instructions can result in death, fire, or electrical shock

Do not, under any circumstances, cut or remove the third (ground) prong from the power cord. For personal safety, this appliance must be properly grounded.

- The power cord of this appliance is equipped with a 3-prong (grounding) plug which mates with a standard 3-prong (grounding) wall outlet to minimize the possibility of electric shock hazard from this appliance.
- Have the wall outlet and circuit checked by a qualified electrician to make sure the outlet is properly grounded.
- Where a standard 2-prong wall outlet is encountered, it is your personal responsibility and obligation to have it replaced with a properly grounded 3-prong wall outlet. Do not use an adapter.
- The refrigerator should always be plugged into its own individual electrical outlet which has a voltage rating that matches the rating plate.
- A 115 Volt AC, 60 Hz, 15- or 20-amp fused, grounded electrical supply is required. This provides the best performance and also prevents overloading house wiring circuits which could cause a fire hazard from overheated wires.
- Never unplug your refrigerator by pulling on the power cord. Always grip plug firmly and pull straight out from the outlet.
- Immediately discontinue use of a damaged supply cord. If the supply cord is damaged, it must be replaced by a qualified service professional with an authorized service part from the manufacturer.
- When moving the refrigerator away from the wall, be careful not to roll over or damage the power cord.

READ AND SAVE THESE INSTRUCTIONS

IMPORTANT SAFETY INFORMATION

READ ALL INSTRUCTIONS BEFORE USING THE APPLIANCE

PROPER DISPOSAL OF YOUR OLD REFRIGERATOR

⚠ WARNING SUFFOCATION AND ENTRAPMENT HAZARD

Failure to follow these disposal instructions can result in death or serious injury

IMPORTANT: Child entrapment and suffocation are not problems of the past. Junked or abandoned refrigerators are still dangerous even if they will sit for “just a few days.” If you are getting rid of your old refrigerator, please follow the instructions below to help prevent accidents.

Before You Throw Away Your Old Appliance

- Take off the fresh food and freezer doors.
- Leave the shelves in place so that children may not easily climb inside.

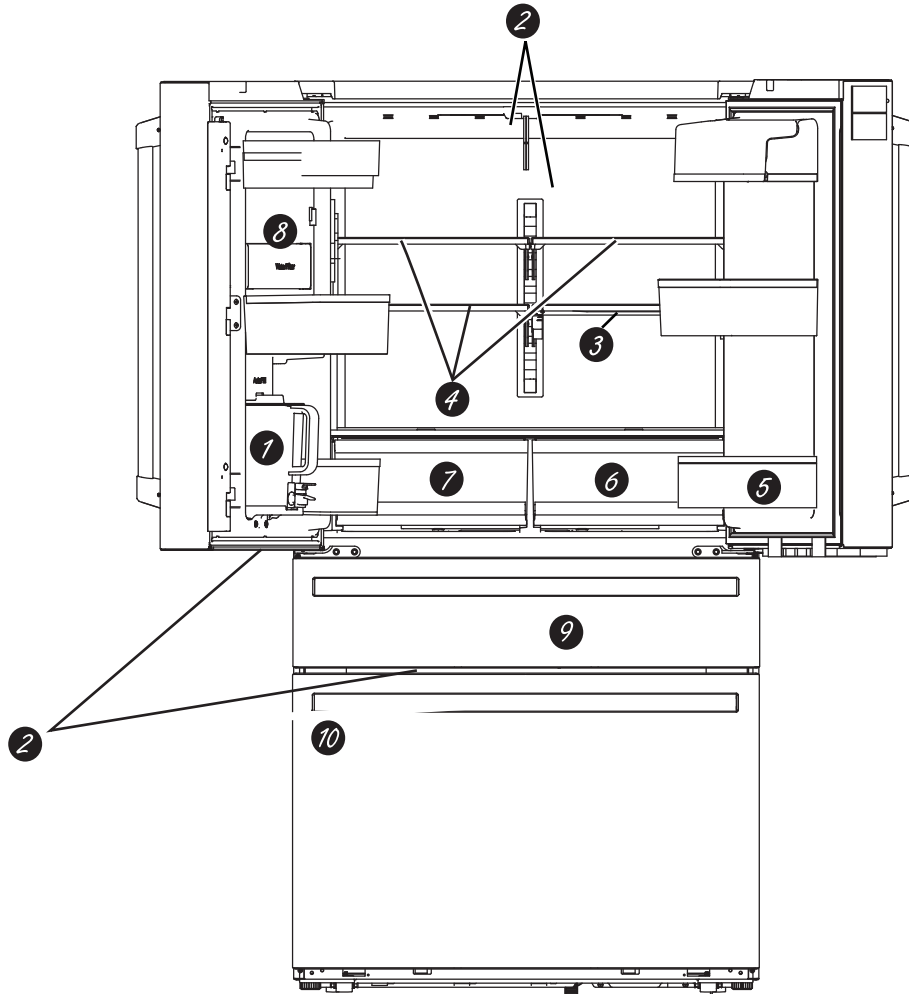
REFRIGERANT AND FOAM DISPOSAL:

Dispose of or recycle your appliance in accordance with Federal and Local Regulations. Flammable refrigerant and insulation material used requires special disposal procedures. Contact your local authorities for the environmentally safe disposal or recycling of your refrigerator.

READ AND SAVE THESE INSTRUCTIONS

Features

Model CGE



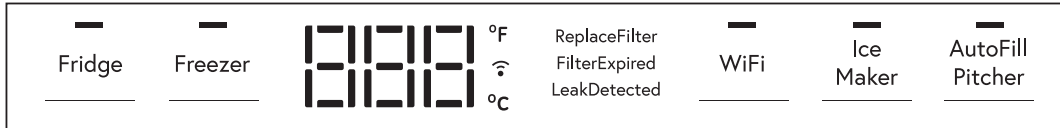
- 1 Autofill Pitcher**
Designed for hands-free refilling to provide constantly available chilled filtered water.
- 2 Showcase LED lighting**
LED lighting is positioned throughout the interior to spotlight areas in the refrigerator. LEDs are located under the fresh food door to light the convertible drawer, and LEDs are under the convertible drawer to light the freezer drawer.
- 3 QuickSpace™ shelf**
Functions as a normal full-sized shelf when needed and easily slides back to store tall items below.
- 4 Spillproof shelves**
Designed to capture your spills for easier clean up.
- 5 Removable door bin**
Can be removed for those with a wall limiting the door opening.
- 6 HCS (Humidity Control System)**
Sealed HCS bin prolongs produce preservation by maintaining humidity in the bin.
- 7 Vented Bin**
Vented bin for storing fruits and vegetables.
- 8 Water filter**
Filters water and ice. Certified to reduce chlorine-resistant cysts, lead, select pharmaceuticals, and more. For easy filter replacement instructions, see page 12.
- 9 Convertible drawer**
Select the best temperature to store your food
- 10 Icemaker**
Ice storage in the upper left Freezer compartment drawer.

Controls

All Models

We are continuously updating our software. Please reference the full owner's manual online for the latest functionality at cafeappliances.com. In Canada, visit cafeappliances.ca.

The recommended temperature settings, preset from the factory, are 37°F (3°C) for the refrigerator and 0°F (-18°C) for the freezer.



The temperature controls are preset in the factory at 37°F (3°C) for the refrigerator compartment and 0°F (-18°C) for the freezer compartment. Allow 24 hours for the temperature to stabilize to the preset recommended settings.

To Change the Refrigerator Temperature:

Press Fridge button to scroll through available temperature settings 34°F (1°C) to 42°F (6°C). *Note the set temp will loop back to the lowest setting upon indexing the Fridge button at the highest setting.*

Press Freezer button to scroll through available temperature settings -6°F (-21°C) to 5°F (-15°C). *Note the set temp will loop back to the lowest setting upon indexing the Freezer button at the highest setting.*

The cooling system can be turned off without shutting off electrical power to the refrigerator. Press **Fridge**, **Freezer** and **Ice Maker** buttons for 3 seconds to toggle cooling system on/off. **CS** followed by **OFF** or **ON** will be displayed.

Control Settings

- Press Fridge and Ice Maker buttons for 3 seconds to toggle between Door Alarm On/Off.
- Press Ice Maker button to toggle icemaker on/off.
- Press WiFi button to turn WiFi on. Press and hold WiFi button for 3 seconds to turn WiFi off.
- Press AutoFill Pitcher button to toggle AutoFill Pitcher on/off.

Fahrenheit / Celsius:

Press Fridge or Freezer button to display temp then press and hold Freezer and Ice Maker buttons for 3 seconds to toggle between Celsius and Fahrenheit.

Volume Control:

Press and hold Freezer and AutoFill Pitcher buttons for 3 seconds to toggle sound level between "Hi", "Lo" and "Off".

Sabbath Mode:

Press and hold Freezer, Ice Maker and AutoFill Pitcher buttons for 3 seconds to toggle Sabbath Mode on/off.

Sabbath Mode OU (Orthodox Union) and CRC (Central Rabbinical Congress)

This refrigerator offers an OU and CRC Sabbath mode that complies with standards set forth by Orthodox Union, the Central Rabbinical Congress, and Halacha Tech, and is 100% certified to the highest halacha standards. In order to enable the OU and CRC Sabbath mode, a separate Shabbos Keeper for Refrigerators must be connected to the refrigerator. The Shabbos Keeper can be purchased from zmantechnologies.com or geappliances.com. The only way to enable the OU and CRC Sabbath mode is with the purchase of the Shabbos Keeper for Refrigerators. The Shabbos Keeper

connects to your refrigerator to automatically enable Shabbos compatible modes each week and before every holiday. The appropriate mode will automatically activate based on the Jewish calendar date for your location. When the Shabbos Keeper is properly connected to the refrigerator, the display will show "SA".

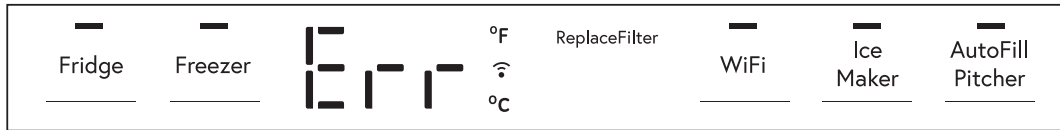


POWERED BY:



Controls

XWFE Filter Cartridge



Top Controls Display will illuminate as follows:

- **Replace Filter** when 10% life remains
- **Leak Detected** when water is detected at filter indicating a leak is present.
- **Expired Filter** when the filter has been in use for 6 months
- **Err** when no filter is present or the wrong filter is installed

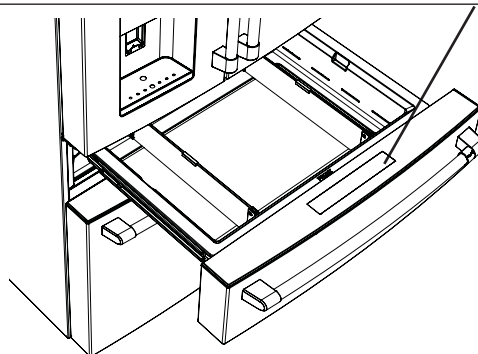
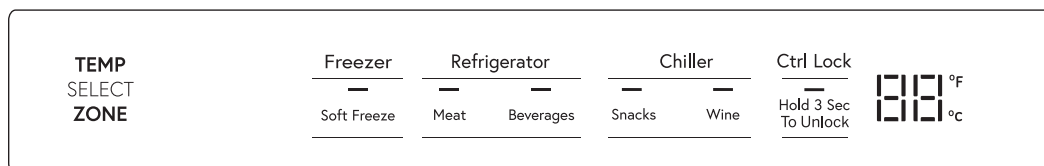
For all conditions, the display will automatically reset when fault condition is corrected.

Model CGE Convertible Drawer

Temperature in the Convertible Drawer is selected by pressing the food item to be kept in the drawer.

Soft Freeze	23°F (-5°C)
Meat	29°F (-2°C)
Beverages	33°F (1°C)
Snacks	37°F (3°C)
Wine	42°F (6°C)

The temperature setting is locked by default. Button must be pressed for 3 seconds to unlock.



Dispenser

AutoFill Pitcher

Place the lid onto the pitcher so that it fits securely. Align the raised portion of the lid with the slot on the door and slide the pitcher into the door until it fully drops down into the pitcher tray.

The pitcher will automatically fill with water approximately 5 seconds after the door is closed. The pitcher will not fill with water while the left hand FF door is open.

The pitcher will turn off automatically after filling to approximately 60 ounces.

The pitcher is designed to minimize sloshing, but be careful not to open or close door with excessive force to avoid some water sloshing out of the pitcher spout.

The easiest method to remove the lid is to push up on the back overhanging edge of the lid near the handle.

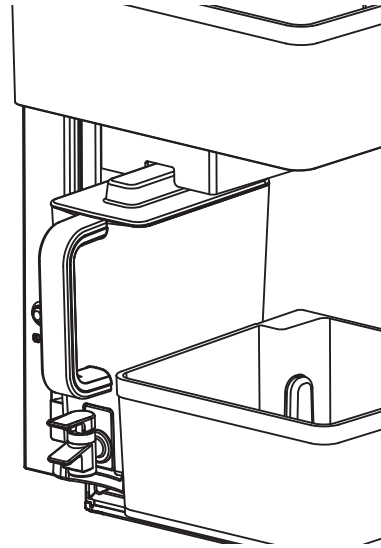
To Clean the AutoFill Pitcher

The AutoFill pitcher and lid are dishwasher safe. The lid should be placed in the top rack only and the pitcher in the bottom rack of the dishwasher. Run on normal wash.

To maximize performance of your AutoFill pitcher, it is recommended that you rinse it thoroughly after washing to remove all soap residue.

If your AutoFill pitcher has been in contact with food that is likely to cause discoloration (e.g. tomato ketchup, mustard), clean your pitcher promptly. This is to avoid possible discoloration of your pitcher.

If you would like to order a secondary AutoFill pitcher go to www.geapplianceparts.com



WiFi (for customers in the United States, its territories, and Canada)

If your refrigerator has a **Connected Appliance Information** label, then it can be connected to your WiFi network, allowing it to communicate with your mobile device for remote monitoring, control and notifications.

Please visit GEAppliances.com/connect to learn more about connected appliance features and learn what connected appliance apps work with your mobile device.

SOFTWARE UPDATES

One of the features of the SmarHq™ is the ability to accept refrigerator software updates. When the user accepts the updates, refrigerator lights will appear to turn off, and all features are not be available during the update. This is normal behavior during software updates. Users are encouraged to check the refrigerator settings after an software update.

REGULATORY INFORMATION

FCC/IC Compliance Statement:

This device complies with Part 15 of the FCC Rules. Operation is subject to the following two conditions:

1. This device may not cause harmful interference, and
2. This device must accept any interference received, including interference that may cause undesired operation.

This equipment has been tested and found to comply with the limits for a Class B digital device, pursuant to Part 15 of the FCC Rules. These limits are designed to provide reasonable protection against harmful interference in a residential installation. This equipment generates uses and can radiate radio frequency energy and, if not installed and used in accordance with the instructions, may cause harmful interference to radio communications. However, there is no guarantee that interference will not occur in a particular installation. If this equipment does cause harmful interference to radio or television reception, which can be determined by turning the equipment off and on, the user is encouraged to try to correct the interference by one or more of the following measures:

- Reorient or relocate the receiving antenna.
- Increase the separation between the equipment and receiver.
- Connect the equipment into an outlet on a circuit different from that to which the receiver is connected.
- Consult the dealer or an experienced radio/television technician for help.

Labelling: Changes or modifications to this unit not expressly approved by the manufacturer could void the user's authority to operate the equipment.

Demand Response (some models)

This Product has WiFi capability and requires Internet connectivity and a wireless router to enable interconnection with an Energy Management System, and/or with other external devices, systems or applications.

What is Demand Response?

Some utilities vary their electricity rates based on the time of day. Some utilities offer Demand Response programs to reduce energy usage during certain times of the day. Some utilities may do both things. This refrigerator has a Demand Response feature to help control energy usage.

Using Demand Response without a Utility Program

The Demand Response feature allows the user to shift high energy features, like defrost, for a 4-hour window. This window corresponds to the average peak energy usage. This feature is enabled or disabled with the SmartHQ™ and requires the SmartHQ™ to operate. It does not depend on the local utility, or whether it varies the electricity rates.

Demand Response with your Utility

If your utility has a compatible Demand Response program, and you are signed up with the utility, this refrigerator can modify its energy usage based on commands received from the utility. The SmartHQ™ can be used to override the Demand Response program, if desired. Please note that there are many different Demand Response programs, and many are not compatible with kitchen appliances. Please check with your local utility.

The demand response level is displayed in the mobile app. Delay appliance load mode (DAL) reduces power consumption by delaying defrost and ice production for 4 hours. Temporary appliance load reduction (TALR) reduces the power consumption by delaying defrost, ice production, and stopping cooling for 10 minutes.

Estimated energy consumption in Watt-hour(Wh) is reported in the mobile app.

Installing Demand Response

Install the SmartHQ™ per the instructions on the previous page. Select the Demand Response page, and choose from the available Demand Response options. The app provides more information on the operation of each Demand Response option.

Demand Response Communication Protocols

This refrigerator uses the following IETF open standard protocols for the WiFi communication. Consult the online user manual for the latest protocol updates:

- <https://mqtt.org/mqtt-specification/>
- <http://docs.oasis-open.org/mqtt/mqtt/v3.1.1/os/mqtt-v3.1.1-os.html>

GEA API for demand response:

- Write demand respond status (Inactive, DAL, and TALR)
- Get demand response status (Inactive, DAL, TALR, or Delay Defrost)
- Get estimated energy consumption in Watt-hour.
- Get event for "Door Open"
- Get event for "High temperature alert"
- Write demand response (DAL or TALR) start time and duration time period.
- Get demand response (DAL or TALR) start time and duration time period.
- Delete demand response (DAL or TALR) schedule.

XWFE Water Filter

Water Filter Cartridge

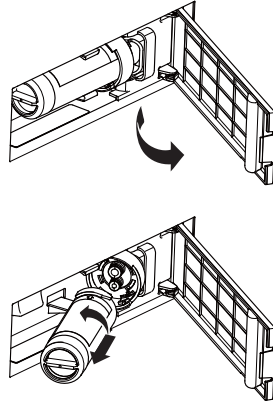
The water filter cartridge is located in the left-hand refrigerator door behind the rectangular access panel.

When to Replace the Filter Cartridge

The **Replace Filter** message on the control panel will illuminate when the water filter cartridge needs to be replaced soon. The **Filter Expired** message will illuminate when the water filter cartridge needs to be replaced. The water filter can be replaced earlier if the flow of water to the dispenser or icemaker decreases.

REMOVING THE FILTER

If you are replacing the filter, first remove the previous one by gently grasping the filter and slowly turning it to the left, about a ¼ turn. The filter should automatically release itself when you have rotated it far enough to the left. A small amount of water may drip down.



CAUTION

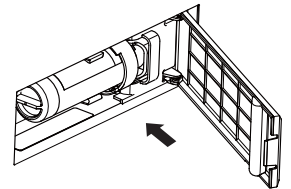
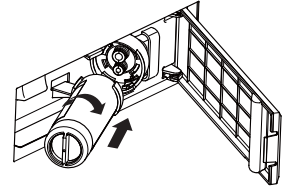
If air has been trapped in the system, the filter cartridge may be ejected as it is removed. Use caution when removing.

FILTER BYPASS PLUG

To reduce the risk of property damage due to water leakage, you **MUST** use the filter bypass plug when a replacement filter cartridge is not available. Some models do not come equipped with the filter bypass plug. To obtain a free bypass plug, call 800.692.6630 and request WR17X33825 filter bypass plug. In Canada, call 800.561.3344. The dispenser and icemaker will not operate without either the filter or bypass plug installed. The bypass plug is installed in the same way as a filter cartridge.

INSTALLING THE FILTER IN A BOTTOM FREEZER REFRIGERATOR

1. Open the filter cartridge housing by pulling the door open.
2. Line up the ports on the filter with the ports on the filter cartridge holder, and gently insert the filter.
3. Slowly turn the filter to the right until it stops. **DO NOT OVERTIGHTEN**. As you turn the filter, it will automatically adjust itself into position. The filter will move about a ¼ turn or 90 degrees, until the filter cannot be turned, and the label faces outward.
4. Slowly push the filter up into the clips.
5. Close the filter cartridge housing by gently pushing the door closed until the tabs lock into place.
6. Confirm that filter fault condition is no longer present on the controls display.
7. Immediately after filter change, allow the pitcher to autofill and empty pitcher into sink four times. This will purge the new filter of normal black carbon dust that is discharged during the initial use.



Application Guidelines/Water Supply

Service Flow	0.5 gpm (1.89 lpm)
Water Supply	Potable Water
Water Pressure	25-120 psi (172-827 kPa)
Water Temperature	33°F-100°F (0.6°C-38°C)
Capacity	170 gallons (643.5 liters)

Sign-up for TEXT REMINDERS by texting REPLACE to 70543.

WARNING

To reduce the risk associated with choking, do not allow children under 3 years of age to have access to small parts during the installation of this product. The disposable filter cartridge should be replaced every 6 months at the rated capacity, or sooner if a noticeable reduction in flow rate occurs.

For the maximum benefit of your filtration system, Café Appliances recommends the use of GE Appliances-branded filters only. Using GE Appliances-branded filters in Café refrigerators provides optimal performance and reliability. GE Appliances filters meet rigorous industry NSF standards for safety and quality that are important for products that are filtering your water. Café Appliances has not qualified non-GE Appliances-branded filters for use in Café refrigerators and there is no assurance that non-GE Appliances-branded filters meet Café standards for quality, performance and reliability.

If you have questions, or to order additional filter cartridges, visit our website at gewaterfilters.com. Customers in Canada should consult the yellow pages for the nearest Camco Service Center.

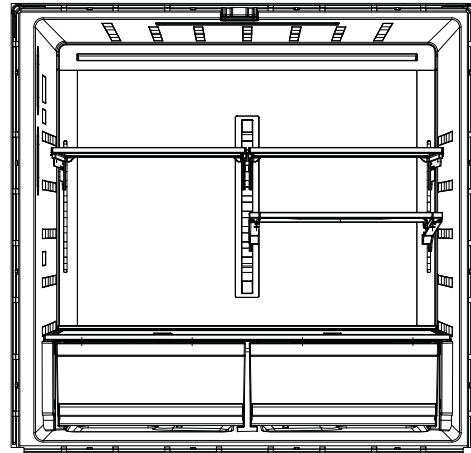
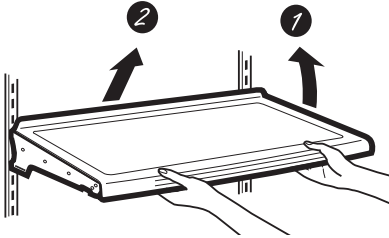
Refrigerator Storage Options

Rearranging the Shelves

Shelves in the refrigerator compartment are adjustable.

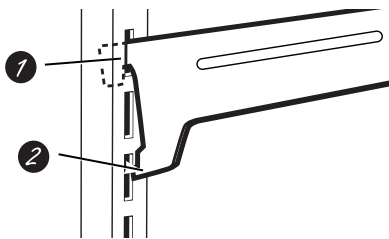
To remove:

- 1 Remove all items from the shelf.
- 2 Tilt the shelf up at the front.
- 3 Lift the shelf up at the back and bring the shelf out.



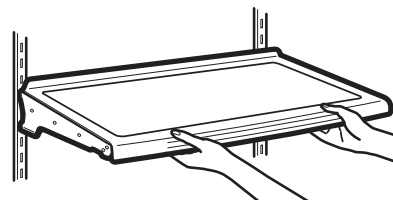
To replace:

- 1 While tilting the shelf up, insert the top hook at the back of the shelf in a slot on the track.
- 2 Lower the front of the shelf until the bottom of the shelf locks into place.



Spillproof Shelves

Spillproof shelves have special edges to help prevent spills from dripping to lower shelves.

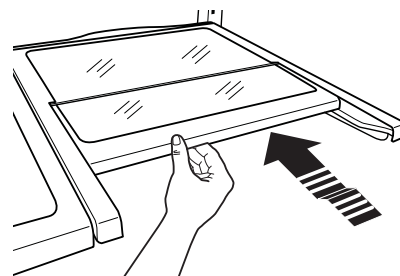


Quick Space Shelf

This shelf splits in half and slides under itself for storage of tall items on the shelf below.

This shelf can be removed and replaced or relocated (just like spillproof shelves).

NOTE: The back half of the Quick Space Shelf is not adjustable.

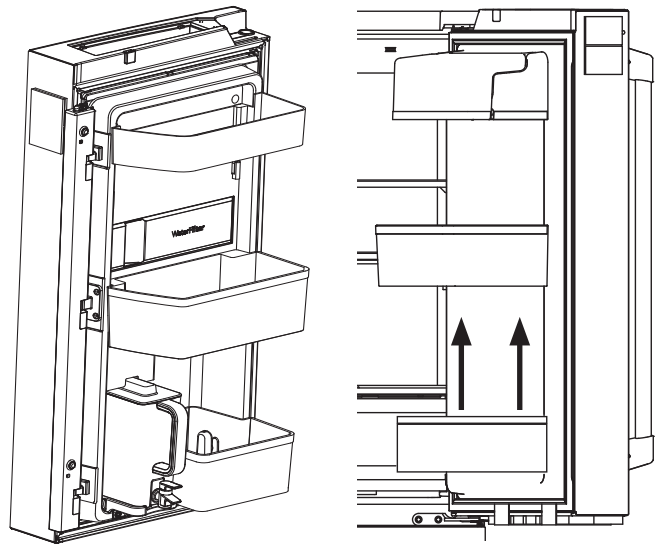


Refrigerator Storage Options

Door Bins

Fixed bins can easily be carried from refrigerator to work area.

To remove: Lift bin straight up, then pull out. The door bins are not interchangeable, note the location upon removal and replace the bin in its proper location.

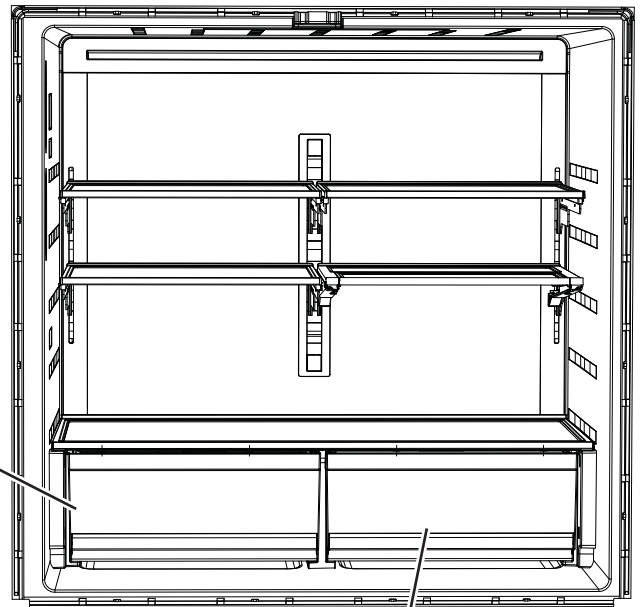


Sealed and Vented Pans

Keep fruits and vegetables organized in separate compartments for easy access.

Excess water that may accumulate in the bottom of the drawers or under the drawers should be wiped dry.

Vented pan for storing fruits and vegetables.



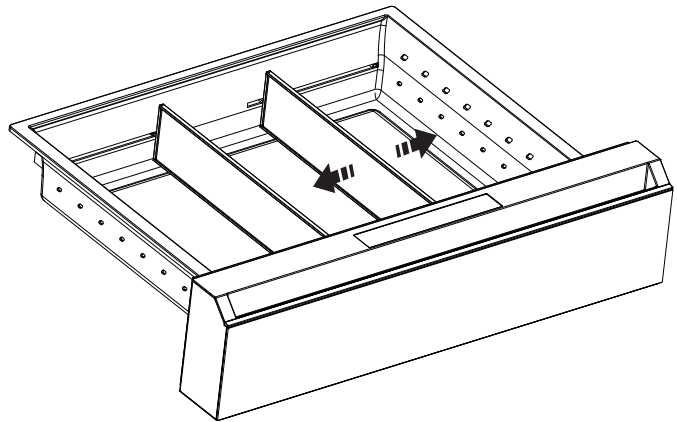
Sealed pan with Humidity Control System prolongs leafy green vegetable preservation by maintaining humidity in the pan.

Refrigerator Storage Options

CONVERTIBLE DRAWER - Model CGE

How To Adjust Drawer Dividers

Grasp divider at the top and slide to the left or right.



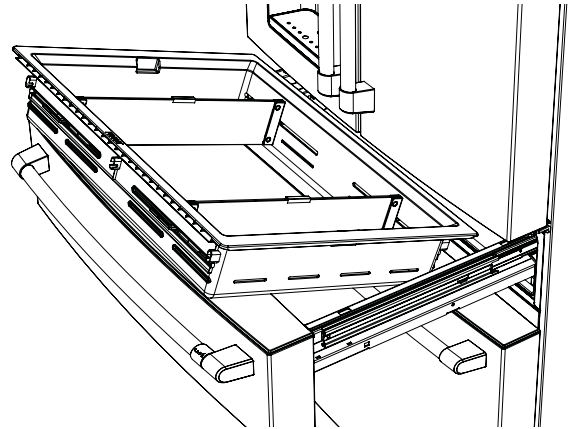
How to Remove and Replace Drawer

To remove:

1. Pull the drawer out to the stop position.
2. Remove the convertible drawer basket by lifting while rotating the basket upward

To replace:

1. Place drawer back in first and rotate drawer front down to seat on slide.
2. Push the drawer in to closed position.
Convertible drawer basket will be loose if re-installed backwards. Look for "FRONT" emboss to help with re-installation.

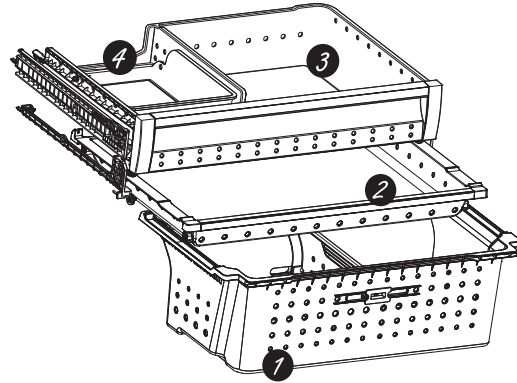


Refrigerator Storage Options

BASKETS, DRAWERS, AND BINS - Model CGE

Freezer Basket and Drawer

- ① Basket.
- ② Pizza tray
- ③ Drawer
- ④ Ice Bucket



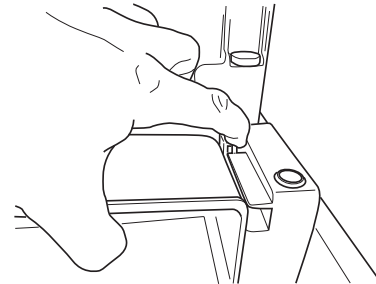
Tilt-Out Bin in the Freezer

To remove:

Press the tab on the right side bracket to remove the freezer drawer bin.

To replace:

Slide bin into location until it locks into place.



Basket Removal

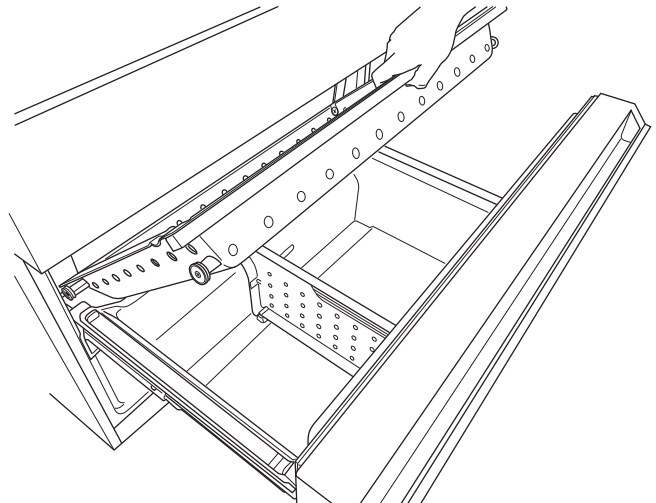
To remove:

1. Pull the top freezer drawer basket forward until it is out of the track in the freezer compartment. Lift while rotating the basket upward to remove.
2. Pull the pizza tray all the way out and lift up until the pizza tray is free to remove.
3. Press the tab on the right side bracket to remove the freezer door bin.
4. Lift the bottom freezer drawer basket slightly back, then up and out of the drawer.

To replace:

1. Place drawer back in first and rotate drawer front down to seat on slide.

Bottom freezer drawer basket must be in place before installing the pizza drawer.



Automatic Icemaker

A newly installed refrigerator may take 12 to 24 hours to begin making ice.

⚠ WARNING Connect to potable water supply only.

A cold water supply is required for automatic icemaker operation. The water pressure must be between 40 and 120 psi (275-827 kilopascals).

Automatic Icemaker

The icemaker will produce seven cubes per cycle approximately 100–130 cubes in a 24-hour period, depending on freezer compartment temperature, room temperature, number of door openings and other use conditions.

The icemaker will fill with water when it cools to 15°F (-10°C). A newly installed refrigerator may take 12 to 24 hours to begin making ice cubes.

If the refrigerator is operated before the water line connection is made to the unit or if the water supply to an operating refrigerator is turned off, make sure that the icemaker is turned off. Once the water has been connected to the refrigerator, the icemaker may be turned on using the controls.

You may hear a buzzing sound each time the icemaker fills with water.

Allow 1-2 days for the bucket to completely fill with ice.

Throw away the first few batches of ice to allow the water line to clear.

Be sure nothing interferes with the sweep of the feeler arm.

When the bin fills to the level of the feeler arm, the icemaker will stop producing ice. It is normal for several cubes to be joined together.

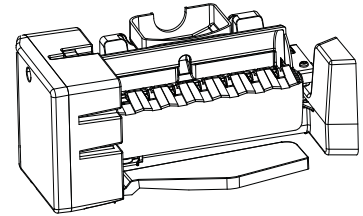
If ice is not used frequently, old ice cubes will become cloudy, taste stale and shrink.

NOTE: In homes with lower-than-average water pressure, you may hear the icemaker cycle multiple times when making one batch of ice.

⚠ CAUTION

To minimize the risk of personal injury, avoid contact with the moving parts of the ejector mechanism, or with the heating element that releases the cubes. Do not place fingers or hands on the automatic ice making mechanism while the refrigerator is plugged in.

To turn the icemaker **ON/OFF**, press the **Ice Maker** button on the top control panel.



Care and Cleaning

Cleaning the Outside

FINGERPRINT RESISTANT STAINLESS STEEL*, BLACK STAINLESS, SLATE, DARK SLATE, PAINTED, GLASS - Outside surfaces, door handles, and trim

⚠ DO NOT use Stainless Steel cleaners on the door surfaces. ⚠

IMPORTANT: The use of incorrect products may damage the outer finish of Fingerprint Resistant Stainless and Black Stainless models. Please follow these instructions and use only the appropriate items below to clean your appliance surfaces.

- Clean interior/exterior surfaces with warm water, mild soap or detergent, and a soft or microfiber cloth to avoid damage.
- Wipe the appliance surface dry with a soft clean cloth or microfiber towel to avoid streaking or water spotting.

DO USE	DO NOT USE								
Soft, clean cloth or sponge Microfiber cloth	Abrasive cloths, paper towels, scrubbing sponges (with or without soap), scouring or steel wool pads								
Mild detergent mixed with warm water	<table border="0"> <tr> <td>Abrasive powders, liquids, or sprays</td> <td>Oven cleaners</td> </tr> <tr> <td>Window sprays, ammonia, or bleach</td> <td>Alkaline cleaners</td> </tr> <tr> <td>Citrus or plant oil-based cleaners</td> <td>Stainless steel cleaners</td> </tr> <tr> <td>Acidic or vinegar-based cleaners</td> <td></td> </tr> </table>	Abrasive powders, liquids, or sprays	Oven cleaners	Window sprays, ammonia, or bleach	Alkaline cleaners	Citrus or plant oil-based cleaners	Stainless steel cleaners	Acidic or vinegar-based cleaners	
Abrasive powders, liquids, or sprays	Oven cleaners								
Window sprays, ammonia, or bleach	Alkaline cleaners								
Citrus or plant oil-based cleaners	Stainless steel cleaners								
Acidic or vinegar-based cleaners									

*Easily wipe away smudges and fingerprints.

STAINLESS STEEL - Outside surfaces, door handles, and trim

NOTE: DO NOT allow stainless steel cleaner to come in contact with any plastic parts such as trim pieces, handle hardware and liners. If unintentional contact of cleaners with plastic parts does occur, clean plastic part with a sponge and mild detergent mixed with warm water.

DO USE	DO NOT USE
Soft, clean cloth or sponge	Abrasive cloths, scrubbing sponges (with or without soap), scouring or steel wool pads
Mild detergent mixed with warm water Approved stainless steel cleaners; For approved stainless steel cleaners, visit cafeappliances.com . Cleaners with oxalic acid such as Bar Keepers Friend Soft Cleanser™ can be used to remove surface rust, tarnish and small blemishes on stainless steel surfaces only.	Abrasive powders or sprays Window Sprays or Ammonia Citrus or plant oil-based cleaners Acidic or vinegar-based cleaners Oven cleaners Cleaners containing acetone (propanone) Any cleaner with WARNING about plastic contact

Cleaning the Inside

To help prevent odors, leave an open box of baking soda in the refrigerator and freezer compartments.

Unplug the refrigerator before cleaning.

If this is not practical, wring excess moisture out of sponge or cloth when cleaning around switches, lights or controls.

Use an appliance wax polish on the inside surface between the doors.

Use warm water and baking soda solution—about a tablespoon (15 ml) of baking soda to a quart (1 liter) of water. This both cleans and neutralizes odors. Rinse and wipe dry.

⚠ CAUTION Do not clean glass shelves or covers with warm water when they are cold. Glass shelves and covers may break if exposed to sudden temperature changes or impact such as bumping or dropping. Tempered glass is designed to shatter into many small pieces if it breaks. Do not wash any plastic refrigerator parts in the dishwasher.

Care and Cleaning

Cleaning the Inside (Cont.)

To Clean the AutoFill Pitcher

The AutoFill pitcher and lid are dishwasher safe. The lid should be placed in the top rack only and the pitcher in the bottom rack of the dishwasher. Run on normal wash.

To maximize performance of your AutoFill pitcher, it is recommended that you rinse it thoroughly after washing to remove all soap residue.

If your AutoFill pitcher has been in contact with food that is likely to cause discoloration (e.g. tomato ketchup, mustard), clean your pitcher promptly. This is to avoid possible discoloration of your pitcher.

If you would like to order a secondary AutoFill pitcher go to www.geapplianceparts.com

Behind the Refrigerator

Be careful when moving the refrigerator away from the wall. All types of floor coverings can be damaged, particularly cushioned coverings and those with embossed surfaces.

Raise the leveling legs located at the bottom front of the refrigerator.

Pull the refrigerator straight out and return it to position by pushing it straight in. Moving the refrigerator in a side direction may result in damage to the floor covering

or refrigerator.

Lower the leveling legs until they touch the floor.

⚠ WARNING  **ELECTRICAL SHOCK HAZARD**

When pushing the refrigerator back, make sure you don't roll over the power cord or water supply line.

Shutting Down and Restarting your Refrigerator for Prolonged Periods

For long vacations or absences, remove food and unplug the refrigerator. Clean the interior with a baking soda solution of one tablespoon (15 ml) of baking soda to one quart (1 liter) of water. Leave the doors open.

If the temperature can drop below freezing, have a qualified service technician drain the water supply system to prevent serious property damage due to flooding.

1. Turn refrigerator off (see CONTROLS, page 7) or unplug the refrigerator.

2. Empty ice bucket

3. Turn water supply off

If you cut the water supply off, turn off the icemaker.

Upon returning from vacation:

1. Replace the water filter.

2. Throw away the first few batches of ice to allow the water line to clear.

Preparing to Move

Secure all loose items such as shelves and drawers by taping them securely in place to prevent damage.

When using a hand truck to move the refrigerator, do not rest the front or back of the refrigerator against the hand truck. This could damage the refrigerator.

Handle only from the sides of the refrigerator.

Be sure the refrigerator stays in an upright position during moving.

Replacing the Lights

Refrigerator Lights (LEDs)

Appearance may vary by model.

There is LED lighting in the refrigerator compartment, the bottom of the left-hand refrigerator door, and the bottom of the convertible drawer.

An authorized technician will need to replace the LED light.

If this assembly needs to be replaced, visit cafeappliances.com/service to place a service call. In Canada, visit cafeappliances.ca/service.

Installation Instructions

Refrigerator

Questions? Visit our Website at: cafeappliances.com
 In Canada, visit cafeappliances.ca

BEFORE YOU BEGIN

Read these instructions completely and carefully.

- **IMPORTANT** — Observe all governing codes and ordinances. Save these instructions for local inspector's use.
- **Note to Installer** – Be sure to leave these instructions with the Consumer.
- **Note to Consumer** – Keep these instructions for future reference.
- **Skill level** – Installation of this appliance requires basic mechanical skills.
- **Completion time** – Refrigerator Installation can vary Water Line Installation 30 minutes
- Proper installation is the responsibility of the installer.
- Product failure due to improper installation is not covered under the Warranty.

PREPARATION

MOVING THE REFRIGERATOR INDOORS

If the refrigerator will not fit through a doorway, the refrigerator doors and freezer drawer can be removed.

- To remove the refrigerator doors, see the Installing the Refrigerator section.
- To remove the freezer drawer, see the Removing the Freezer Drawer section.

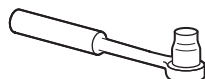
WATER SUPPLY TO THE ICEMAKER AND DISPENSER

If the refrigerator has an icemaker, it will have to be connected to a cold water line. A GE Appliances water supply kit (containing tubing, shutoff valve, fittings and instructions) is available at extra cost from your dealer, by visiting our website at cafeappliances.com/parts (in Canada at cafeappliances.ca/parts).

TOOLS YOU MAY NEED



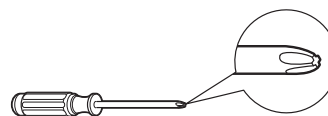
Adjustable Wrench



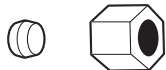
3/8", 5/16" Socket Ratchet/Driver



1/8", 3/32", 3/16", 1/4" & 5/32" Allen Wrenches



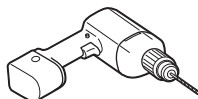
Phillips-Head Screwdriver



1/4" Outer Diameter Compression Nut and Ferrule (sleeve)



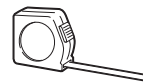
Pencil



1/8" Drill Bit and Electric or Hand Drill



1/4" Nut Driver



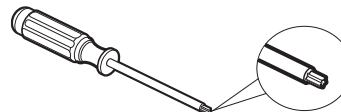
Tape Measure



Pliers



Flat-Head Screwdriver



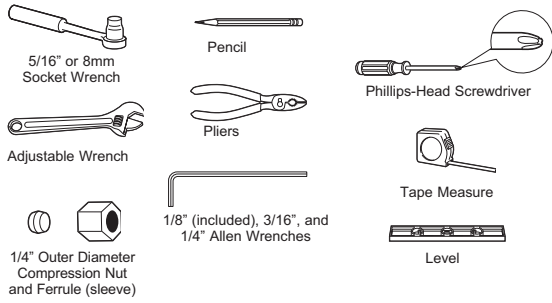
Torx T20, T25



Level

Installation Instructions

TOOLS YOU MAY NEED

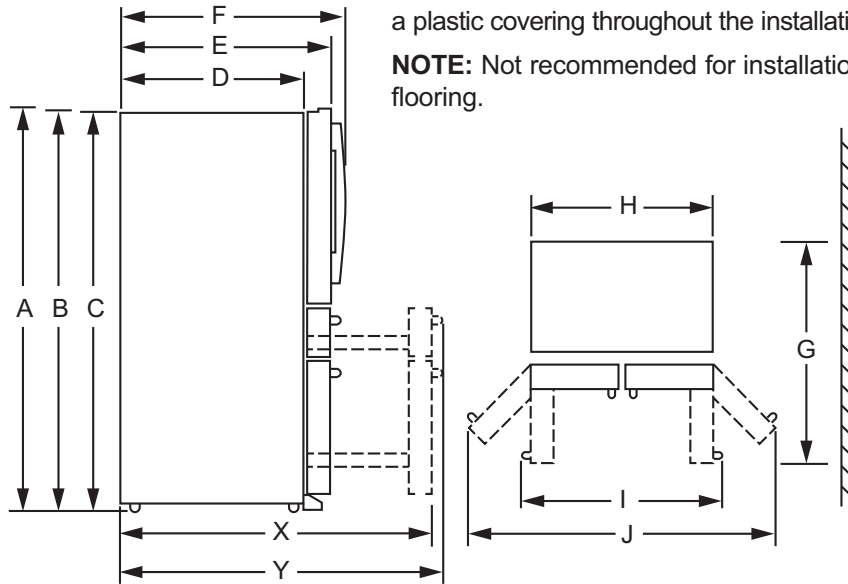


- Using the chart below to determine if passageways can accommodate the width of the refrigerator.
- Use a padded hand truck or moving straps to move this refrigerator. Place the hand truck to the side of the refrigerator.
- We strongly recommend the refrigerator be moved by two people.
- Leave tape, film, and other packaging on the refrigerator until in its final location.
- Refer to sections 2 through 5 for handle, door, and drawer removal if needed. Otherwise, skip to section 6.
- Consider recycling options for your appliance packaging material.

CLEARANCES

Allow the following clearances for ease of installation, proper air circulation and plumbing and electrical connections.

Sides 1/8" (3 mm)
 Top 1" (25 mm)
 Back 2" (50 mm)



NOTE: It is recommended that the floor be protected with a plastic covering throughout the installation process.

NOTE: Not recommended for installation on carpeted flooring.

Full Depth unit dimensions	Full Depth Glass door unit dimensions
A = 70" (1775mm)	A = 70" (1775mm)
B = 69-13/16" (1773mm)	B = 69-13/16" (1772mm)
C = 68-5/8" (1743mm)	C = 68-5/8" (1743mm)
D = 29-1/2" (749 mm)	D = 29-1/2" (749 mm)
E = 34-1/4" (870m)	E = 34.0" (864mm)
F = 36-1/2" (927mm)	F = 34.0" (864mm)
G = 48-3/8" (1229mm)	G = 48-3/8" (1229mm)
H = 35-5/8" (905mm)	H = 35-5/8" (905mm)
I = 44-3/8" (1127mm)	I = 39-1/2" (1003mm)
J = 60-3/8" (1534mm)	J = 59-1/4" (1505mm)
X = 53-17/32" (1360mm)	X = 53-9/32" (1353mm)
Y = 55-3/4" (1416mm)	Y = 53-9/32" (1353mm)

Installation Instructions

MOVING THE REFRIGERATOR

- Using the chart below determine if the width of your passageway can accommodate the depth of the refrigerator. Ensure you have clearance to prevent damage to the refrigerator before safely moving it to the final location.
- If passageways are large enough to accommodate the refrigerator without removing the handles skip to Step 6. Leave tape, film and all packaging on doors until the refrigerator is in the final location.
- **NOTE: Use a padded hand truck or moving straps to move this refrigerator. Place the refrigerator on the hand truck with a side against the truck. We strongly recommend that two people move and complete this installation.**

If your opening is less than the following dimensions, remove door parts in order until dimension is less than the opening.	
	CGE
Fully Assembled	37-1/8" (943 mm)
Remove Handles	34-9/16" (878 mm)
Remove Doors	32-1/4" (819 mm)
Remove Center Hinge	29-3/4" (755 mm)

Installation Instructions

INSTALLING THE REFRIGERATOR

REFRIGERATOR LOCATION

- Do not install the refrigerator where the temperature will go below 60°F (16°C) because it will not run often enough to maintain proper temperatures.
- Do not install the refrigerator where the temperature will go above 100°F (37°C) because it will not perform properly.
- Do not install the refrigerator in a location exposed to water (rain, etc.) or direct sunlight.
- Install it on a floor strong enough to support it fully loaded.

CLEARANCES

Allow the following clearances for ease of installation, proper air circulation and plumbing and electrical connections.

Sides	1/8" (3 mm)	
Top	1" (25 mm)	Cabinet/Hinge Cover
Back	2" (50 mm)	

REMOVING THE REFRIGERATOR DOORS

- **IMPORTANT NOTE:** This refrigerator is 37-1/8" (943 mm) deep (refer to chart on previous page). Doors and passageways leading to the installation location must be at least 37-1/8" (943 mm) wide in order to leave the doors and handles attached to the refrigerator while transporting it into the installation location. If passageways are less than 37-1/8" (943 mm), the refrigerator doors and handles can easily be scratched and damaged. The top cap and doors can be removed to allow the refrigerator to be safely moved indoors. If passageways are less than 34-9/16" (878 mm), start with Step 1.
- If it is not necessary to remove doors, skip to Step 11. Leave tape and all packaging on doors until the refrigerator is in the final location.
- **NOTE:** Use a padded hand truck to move this refrigerator. Place the refrigerator on the hand truck with a side against the truck. We strongly recommend that TWO PEOPLE move and complete this installation.

1 REFRIGERATOR AND FREEZER HANDLE INSTALLATION (on some models)

Before You Start....

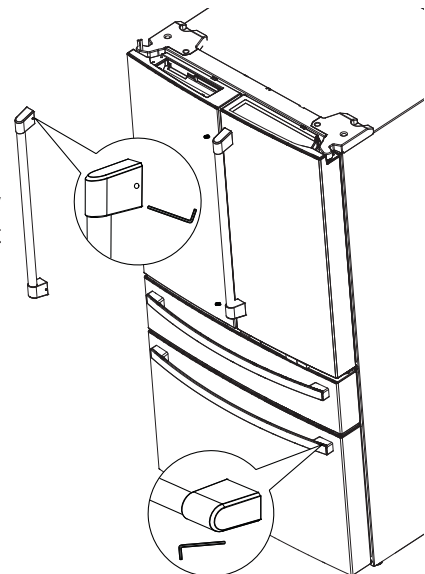
- To avoid injury, wear closed-toe shoes when installing the handles.
- While installing the handle, grasp the handle firmly to ensure it does not fall or scratch the appliance's finish.
- **IMPORTANT:** To make sure the handles are accurately installed, please review the instructions and graphics before you begin installation.
- **IMPORTANT:** Do not use power tools to tighten set screws.

Tools Provided:

- 1/8" hex key

Handle appearance may vary based on model; however, the installation process is the same.

1. Remove any protective film from the door or drawer fronts before installing handles (if applicable).
2. Remove handle from packaging and locate the provided 1/8" hex key.
3. Place the handle over the mounting fasteners until it is flush against the surface of the door.
4. Tighten both set screws in the handle end caps by turning the 1/8" hex key clockwise until the handle will not hang loose or fall from its mounting. Do not fully tighten yet.
5. **IMPORTANT:** Hold the handle firmly against the door, make sure there are no gaps between the handle end caps and the door, and fully tighten the set screws.



To remove the handles, reverse the installation process.

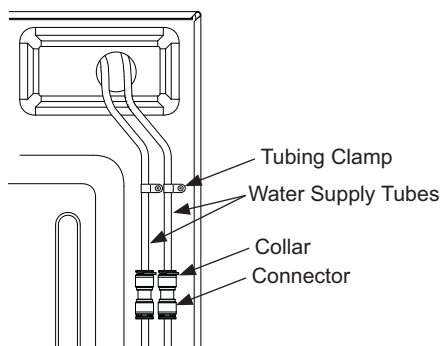
Installation Instructions

INSTALLING THE REFRIGERATOR (Cont.)

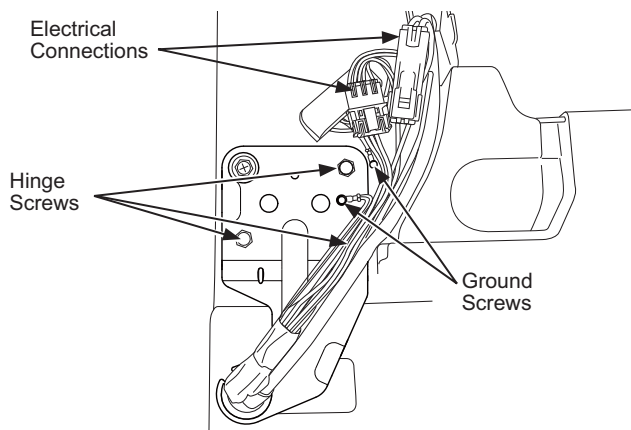
2 REMOVE LEFT-HAND DOOR

⚠ WARNING Follow all steps for removing and reinstalling the door. Failure to follow these instructions, leaving off parts, or overtightening screws, can lead to the door falling off and result in injury and property damage.

1. Remove the two water tubes from the connectors on the back of the case.



- Loosen and remove the tubing clamp(s) which holds the water supply tube to the back of the refrigerator.
 - Remove the black collar from water supply tube connector at the top right back of the refrigerator.
 - Press the white flange down and separate the water supply line from the connector.
2. Remove the left hinge cover by removing 2 hinge cover screws with a Phillips head screwdriver and lifting from the left side. Disconnect electrical connectors and pull the water supply tube through the case.



3. Securely tape the door shut with masking tape or have a second person support the door.
4. Remove screws holding hinge with a 5/16" socket. Lift hinge from refrigerator and door.

2 REMOVE LEFT-HAND DOOR (cont.)

For proper installation later, please follow these next steps carefully:

- Remove the tape keeping the door as straight as possible, then lift up to remove.

⚠ CAUTION Lifting Hazard.

A single person lift could cause injury. Gain assistance when handling, moving, or lifting refrigerator doors.

3 REMOVE RIGHT-HAND DOOR

- Remove right hinge cover.
- Securely tape the door shut with masking tape or have a second person support the door.
- Remove screws holding hinge with a 5/16" socket. Lift hinge from refrigerator and door.

For proper installation later, please follow these next steps carefully:

- Remove the tape keeping the door as straight as possible, then lift up to remove.

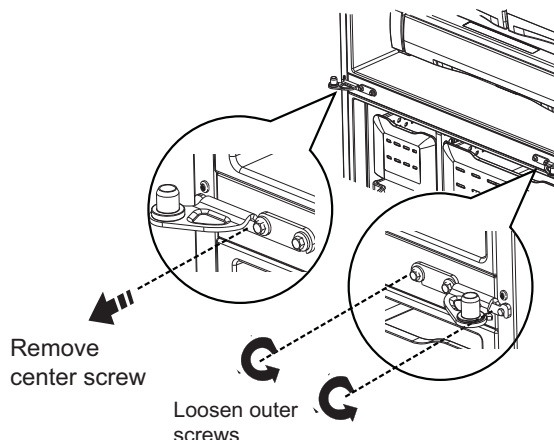
⚠ CAUTION Lifting Hazard.

A single person lift could cause injury. Gain assistance when handling, moving, or lifting refrigerator doors.

To reassemble doors, reverse removal steps.

4 REMOVE CENTER HINGE (if necessary)

Remove screws that secure hinge to the cabinet. Inner screws need a 5/16" socket. Outer screw needs a Phillips #2.

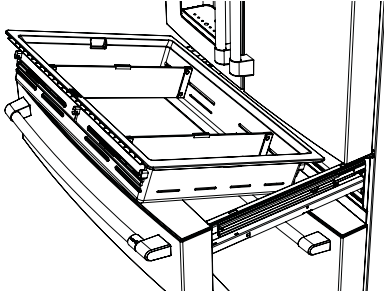


Installation Instructions

INSTALLING THE REFRIGERATOR (Cont.)

5 REMOVING CONVERTIBLE DRAWER (on some models)

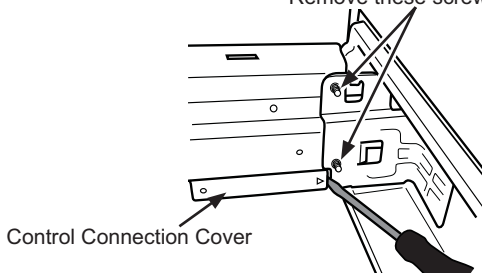
1. Remove the convertible drawer basket by lifting while rotating the basket upward.



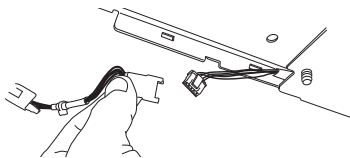
2. Disconnect the wiring control connection for the convertible drawer.

- Using a flat-head screwdriver, remove cover over electric connectors on inside right of the drawer frame. The cover hooks through the drawer frame toward the inside of the refrigerator.

Remove these screws



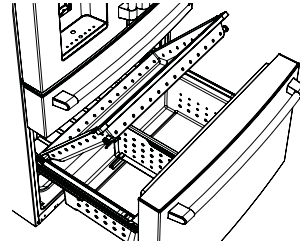
- Press the tab in the center of the connector to separate.



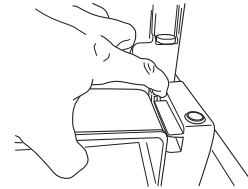
3. Remove 2 screws from each side of the frame with a 5/16" socket.
4. Remove door by lifting off hooks.

6 REMOVE PIZZA TRAY AND LOWER FREEZER BASKET (on some models)

1. Push the top freezer drawer basket all the way inside the freezer compartment.
2. Pull the pizza tray all the way out and lift up until the pizza tray is free to remove.



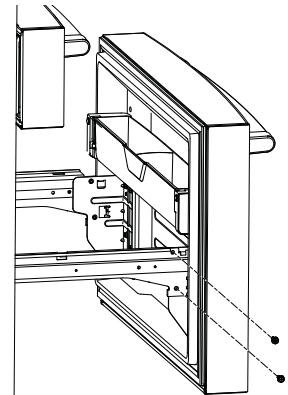
3. Press the tab on the right side bracket to remove the freezer drawer bin.



4. Lift the bottom freezer drawer basket slightly back, then up and out of the drawer.
5. Pull the lower basket and slide mechanism to full extension using both hands.
6. Remove the basket resting on the slides.

7 REMOVE THE FREEZER DRAWER (on some models)

1. Pull the freezer drawer open to full extension.
2. Remove two screw from each side of the frame with a 5/16" socket.



CAUTION

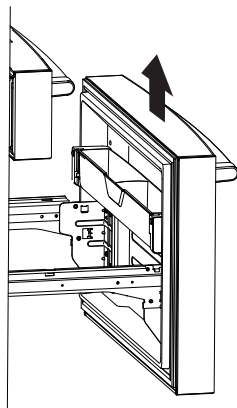
Lifting Hazard
Freezer door is heavy Use both hands to secure the door before lifting.

Installation Instructions

INSTALLING THE REFRIGERATOR (Cont.)

7 REMOVE THE FREEZER DRAWER (on some models) (Cont.)

3. Remove the door by lifting off hooks.

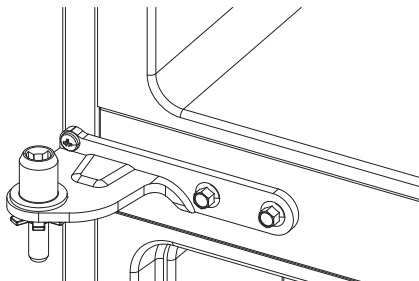


4. Push the bottom basket slides back until the slide mechanism self retracts.

8 REMOVE LOWER LEFT-HAND DOOR (on some models)

⚠ WARNING Follow all steps for removing and reinstalling the door. Failure to follow these instructions, leaving off parts, or overtightening screws, can lead to the door falling off and result in injury and property damage.

1. Securely tape the door shut with masking tape or have a second person support the door.
2. Remove the center hinge with a 5/16" socket and Phillips head screwdriver.



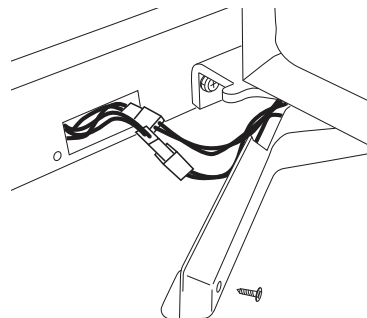
3. Remove the tape keeping the door as straight as possible, then lift up to remove.

⚠ CAUTION Lifting Hazard.

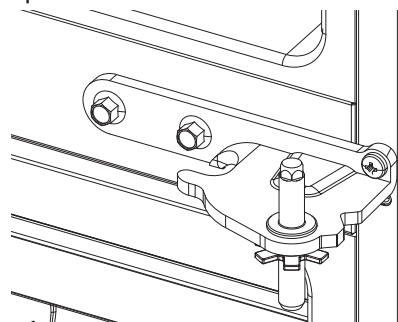
A single person lift could cause injury. Gain assistance when handling, moving, or lifting refrigerator doors.

9 REMOVE LOWER RIGHT-HAND DOOR (on some models)

1. Open lower right-hand door 90°.
2. Remove lower hinge cover by removing Phillips head screw and unsnapping cover from hinge.



3. Disconnect 2 harnesses.
4. Securely tape the door shut with masking tape or have a second person support the door.
5. Remove the center hinge with a 5/16" socket and Phillips head screwdriver.



6. Remove the tape keeping the door as straight as possible, then lift up to remove.

⚠ CAUTION Lifting Hazard

Freezer door is heavy Use both hands to secure the door before lifting.

1. Pull the lower basket slide mechanism to full extension with both hands.
2. Lift the freezer door and align the hooks with the notches on the slide mechanisms. NOTE: Place one side in first, then align the other side.
3. Replace the attachment screws and torque the screws to 65 in-lb (7.34 N-m).

To reassemble doors, reverse removal steps. Be careful wires pass through bottom high-hand hinge.

Installation Instructions

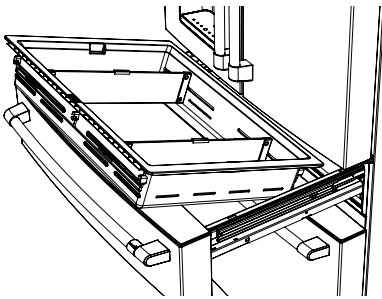
INSTALLING THE REFRIGERATOR (Cont.)

10 REMOVE LOWER HINGE (if necessary) (on some models)

Remove screws that secure hinge to the cabinet. Inner screws need a 5/16" socket. Outer screw needs a Phillips #2."

11 RE-INSTALL CONVERTIBLE DRAWER (on some models)

To reassemble doors, reverse removal steps. Convertible drawer basket will be loose if re-installed backwards. Look for "FRONT" emboss to help with re-installation.



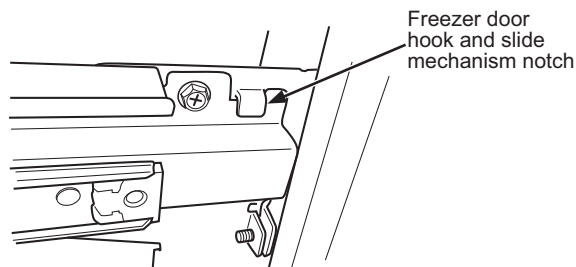
12 REPLACE FREEZER DRAWER (on some models)

▲ CAUTION Lifting Hazard

Freezer door is heavy Use both hands to secure the door before lifting.

1. Pull the lower basket slide mechanism to full extension with both hands.
2. Lift the freezer door and align the hooks with the notches on the slide mechanisms.

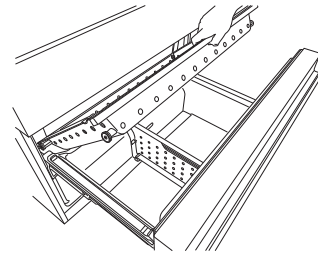
NOTE: Place one side in first, then align the other side.



3. Replace the attachment screws and torque the screws to 65 in-lb (7.34 N-m).

13 RE-INSTALL PIZZA TRAY AND LOWER FREEZER BASKET (on some models)

1. Re-install lower freezer basket first, then re-install pizza drawer.



2. Check for smooth operation of baskets.
3. Re-install freezer drawer by placing the drawer wheels onto the top of the track mounted to the side of the freezer walls. The wheels on the freezer drawer should be on top of the bottom basket sides.

14 REINSTALL LOWER LEFT AND RIGHT-HAND DOORS (on some models)

▲ WARNING Follow all steps for removing and reinstalling the door. Failure to follow these instructions, leaving off parts, or overtightening screws, can lead to the door falling off and result in injury and property damage.

▲ CAUTION Lifting Hazard

A single person lift could cause injury. Gain assistance when handling, moving, or lifting refrigerator doors.

1. Reinstall lower hinges first (if necessary) and torque the 5/16" screws to 65 in-lb (7.35 N-m) and small screw to 25 in-lbs (2.82 N-m). Rotating the screw by 1/3 turn after it is flush with mating surface will achieve these torques.
2. With the door at 90° to the front of the case, lower the refrigerator door onto the lower hinge, carefully pulling the harness through the right-hand hinge. Close the door and tape closed.
3. Reinstall the center hinge per step #1 above.
4. Remove the tape.
5. Open the lower right-hand door 90°.
6. Connect the two harnesses.
7. Replace both lower hinge covers (if necessary).

Installation Instructions

INSTALLING THE REFRIGERATOR (Cont.)

15 REINSTALLING THE UPPER LEFT AND RIGHT-HAND DOORS

⚠ WARNING Follow all steps for removing and reinstalling the door. Failure to follow these instructions, leaving off parts, or overtightening screws, can lead to the door falling off and result in injury and property damage.

⚠ CAUTION **Lifting Hazard**

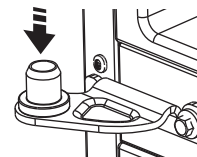
A single person lift could cause injury. Gain assistance when handling, moving, or lifting refrigerator doors.

1. Reinstall center hinge first and torque the 1/4" screw to 65 in-lbs (7.34 N-m) and small screw to 25 in-lbs (2.82 N-m). Rotating the screw by 1/3 turn after it is flush with mating surface will achieve these torques.

2. Lower the refrigerator door onto the center hinge.

3. **Securely tape the door shut with masking tape or have a second person support the door.**

4. Reinstallation is the reverse of the removal instructions.
5. Be sure to reinstall the ground wire and strain relief to the top hinge.
6. Reinstall hinge cover. **NOTE:** Ensure wires are not pinched or under screw bosses before tightening screws.



16 CONNECTING REFRIGERATOR TO THE HOUSE WATER LINE

A cold water supply is required for automatic icemaker operation. If there is not a cold water supply, you will need to provide one. See Installing the Water Line section.

NOTES:

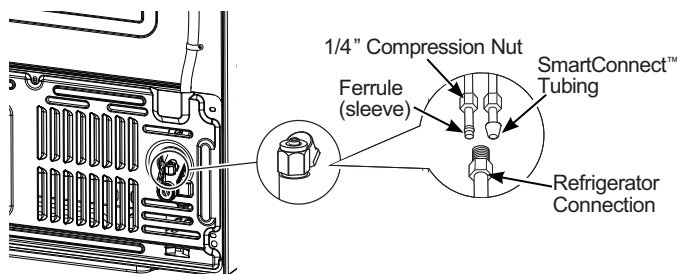
- Before making the connection to the refrigerator, be sure the refrigerator power cord is not plugged into the wall outlet.
 - If your refrigerator does not have a water filter, we recommend installing one if your water supply has sand or particles that could clog the screen of the refrigerator's water valve. Install it in the water line near the refrigerator. If using SmartConnect™ Refrigerator Tubing Kit, you will need an additional tube (WX08X10002) to connect the filter. Do not cut plastic tube to install filter.
 - Before connecting the water line to the house, purge the house line for at least 2 minutes.
1. If you are using copper tubing, place a compression nut and ferrule (sleeve) onto the end of the tubing coming from the house cold water supply.
If you are using the SmartConnect™ tubing, the nuts are already assembled to the tubing.

2. If you are using copper tubing, insert the end of the tubing into the refrigerator connection, at the back of the refrigerator, as far as possible. While holding the tubing, tighten the fitting.

If you are using SmartConnect™ tubing, insert the molded end of the tubing into the refrigerator connection, at the back of the refrigerator, and tighten the compression nut until it is hand tight. Then tighten one additional turn with a wrench. Over tightening may cause leaks.

3. Fasten the tubing into the clamp provided to hold it in position. You may need to pry open the clamp.

⚠ WARNING Connect to potable water supply only. A cold water supply is required for automatic icemaker operation. The water pressure must be between 40 and 120 psi (275-827 kilopascals)

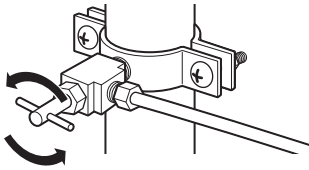


⚠ WARNING **Electrical Shock Hazard.** Attach tubing clamp using existing hole only. **DO NOT** drill into the refrigerator.

Installation Instructions

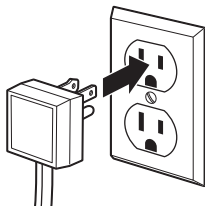
INSTALLING THE REFRIGERATOR (Cont.)

17 TURN ON THE WATER SUPPLY



Turn the water on at the shutoff valve (house water supply) and check for any leaks.

18 PLUG IN THE REFRIGERATOR



See the grounding information attached to the power cord.

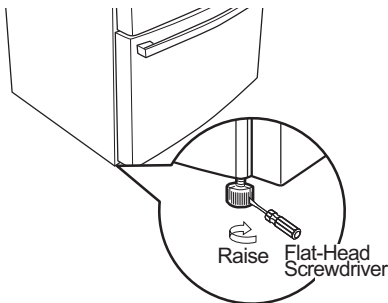
19 LEVEL THE REFRIGERATOR

The leveling legs have 2 purposes:

1. Leveling legs adjust so the refrigerator is firmly positioned on the floor and does not wobble.
2. Leveling legs serve as a stabilizing brake to hold the refrigerator securely in position during operation and cleaning. The leveling legs also prevent the refrigerator from tipping.

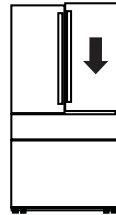
- Turn the leveling legs clockwise to raise the refrigerator, counterclockwise to lower it.

NOTICE: To avoid possible property damage, the leveling legs must be firmly touching the floor.

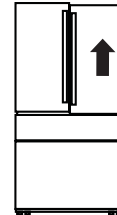


20 LEVEL THE REFRIGERATOR DOORS

Remember a level refrigerator is necessary for getting the doors perfectly even. If you need help, review the previous section on leveling the refrigerator.



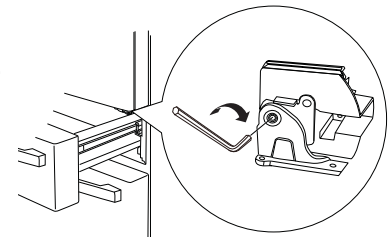
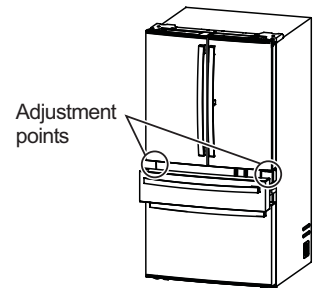
When the left door is lower than the right door.



When the left door is higher than the right door.

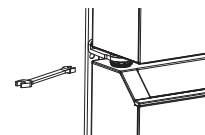
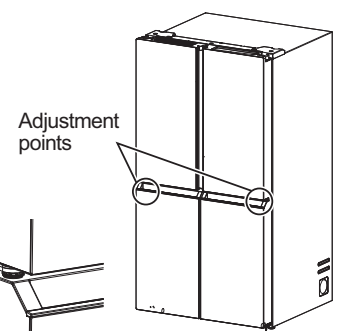
For 2 drawer models:

1. Access the hinge screws by opening the convertible drawer.
2. Insert 1/4" Allen wrench into the shaft of the center hinge.
3. Adjust the height by turning clockwise or counterclockwise. When you turn counterclockwise, the door will move up.



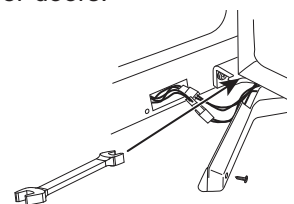
For 4 door models:

Using a 1/4" open end wrench or flat-head screwdriver, turn the slotted wheel to adjust doors up or down.



To adjust the height of the lower doors:

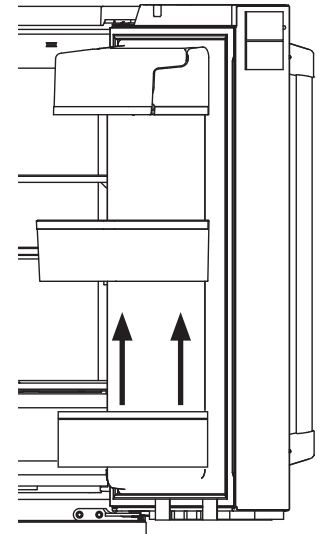
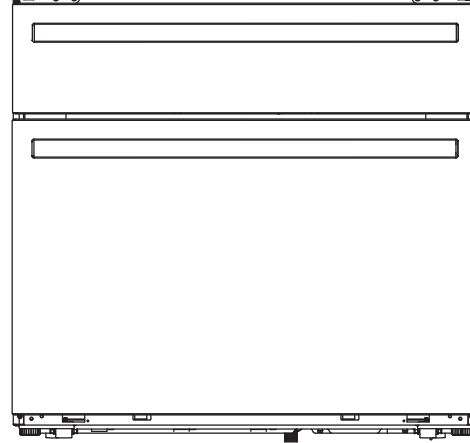
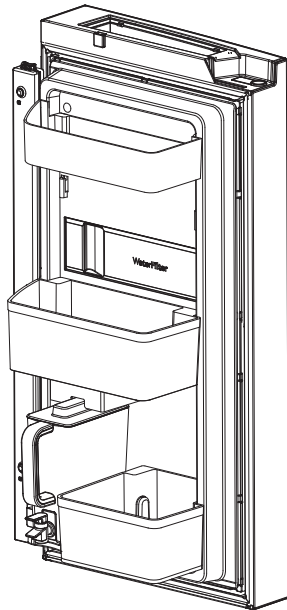
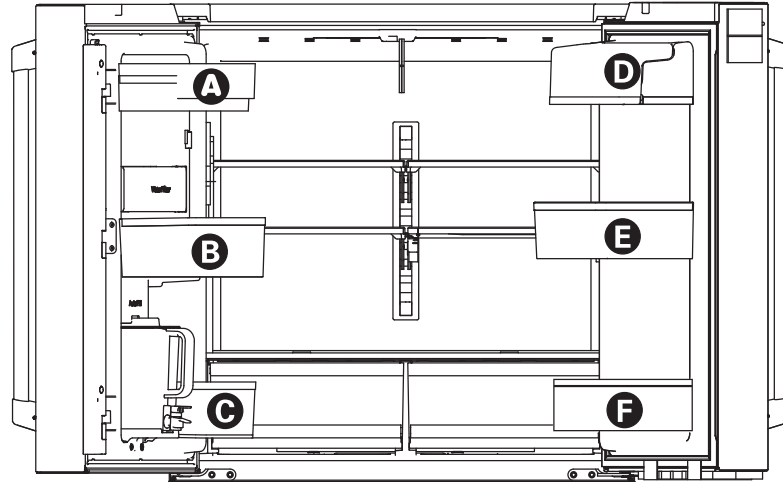
- Remove the left-hand and right-hand hinge covers with a Phillips head screwdriver, then use a 9/16" open end wrench to adjust the doors up or down.



Installation Instructions

INSTALLING THE REFRIGERATOR (Cont.)

CGE



To place bins into doors:

- 1 Match your bin with the letter shown. Position the bins over the bin locator and push forward until inserted fully.
- 2 Push bin down until locked into position.

Installation Instructions

INSTALLING THE WATER LINE

BEFORE YOU BEGIN

Recommended copper water supply kits are WX8X2, WX8X3 or WX8X4, depending on the amount of tubing you need. Approved plastic water supply lines are SmartConnect™ Refrigerator Tubing (WX08X10006, WX08X10015 and WX08X10025).

When connecting your refrigerator to a GE Appliances Reverse Osmosis Water System, the only approved installation is with a GE Appliances RVKit. For other reverse osmosis water systems, follow the manufacturer's recommendations.

If the water supply to the refrigerator is from a Reverse Osmosis (RO) Water Filtration System AND the refrigerator also has a water filter, use the refrigerator's filter bypass plug. Using the refrigerator's water filtration cartridge in conjunction with the RO water filter can result in hollow ice cubes. Some models do not come equipped with the filter bypass plug. To obtain a free bypass plug, call 800.692.6630 and request WR17X33825 filter bypass plug. In Canada, call 800.561.3344.

This water line installation is not warranted by the refrigerator or icemaker manufacturer. Follow these instructions carefully to minimize the risk of expensive water damage.

Water hammer (water banging in the pipes) in house plumbing can cause damage to refrigerator parts and lead to water leakage or flooding. Call a qualified plumber to correct water hammer before installing the water supply line to the refrigerator.

To prevent burns and product damage, do not hook up the water line to the hot water line.

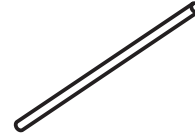
If the refrigerator is operated before the water connection is made to the icemaker, see **Controls** section on page 7 to turn icemaker off.

Do not install the icemaker tubing in areas where temperatures fall below freezing.

When using any electrical device (such as a power drill) during installation, be sure the device is double insulated or grounded in a manner to prevent the hazard of electric shock, or is battery powered.

All installations must be in accordance with local plumbing code requirements.

WHAT YOU WILL NEED



- Copper or SmartConnect™ Refrigerator Tubing kit, 1/4" outer diameter to connect the refrigerator to the water supply. If using copper, be sure both ends of the tubing are cut square.

To determine how much tubing you need: measure the distance from the water valve on the back of the refrigerator to the water supply pipe. Be sure there is sufficient extra tubing to allow the refrigerator to move out from the wall after installation.

SmartConnect™ Refrigerator Tubing Kits are available in the following lengths:

- 8' (2.4 m) – WX08X10006
- 15' (4.6 m) – WX08X10015
- 25' (7.6 m) – WX08X10025

⚠ WARNING

Connect to potable water supply only.

A cold water supply is required for automatic icemaker operation. The water pressure must be between 40 and 120 psi (275-827 kilopascals)

Installation Instructions

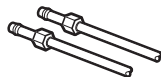
INSTALLING THE WATER LINE (Cont.)

WHAT YOU WILL NEED (Cont.)

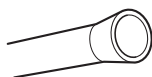
NOTE: The only Café approved plastic tubing is that supplied in SmartConnect™ Refrigerator Tubing kits. Do not use any other plastic water supply line because the line is under pressure at all times. Certain types of plastic will crack or rupture with age and cause water damage to your home.

- A GE Appliances water supply kit (containing tubing, shutoff valve and fittings listed below) is available at extra cost from your dealer or by visiting cafeappliances.com (in Canada, cafeappliances.ca).
- A cold water supply. The water pressure must be between 20 and 120 p.s.i. (1.4–8.1 bar).

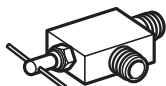
- Power drill.
- 1/2" or adjustable wrench.
- Straight and Phillips blade screwdriver.



- Two 1/4" outer diameter compression nuts and 2 ferrules (sleeves)—to connect the copper tubing to the shutoff valve and the refrigerator water valve.
OR
- If you are using a SmartConnect™ Refrigerator Tubing kit, the necessary fittings are preassembled to the tubing.



- If your existing copper water line has a flared fitting at the end, you will need an adapter (available at plumbing supply stores) to connect the water line to the refrigerator OR you can cut off the flared fitting with a tube cutter and then use a compression fitting. Do not cut formed end from SmartConnect™ Refrigerator tubing.



- Shutoff valve to connect to the cold water line. The shutoff valve should have a water inlet with a minimum inside diameter of 5/32" at the point of connection to the COLD WATER LINE. Saddle-type shutoff valves are included in many water supply kits. Before purchasing, make sure a saddle-type valve complies with your local plumbing codes.

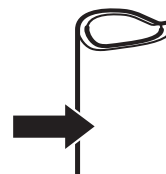
Install the shutoff valve on the nearest frequently used drinking water line.

1 SHUT OFF THE MAIN WATER SUPPLY

Turn on the nearest faucet long enough to clear the line of water.

2 CHOOSE THE VALVE LOCATION

Choose a location for the valve that is easily accessible. It is best to connect into the side of a vertical water pipe. When it is necessary to connect into a horizontal water pipe, make the connection to the top or side, rather than at the bottom, to avoid drawing off any sediment from the water pipe.

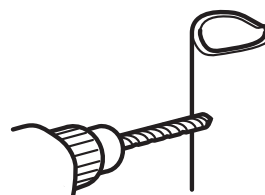


3 DRILL THE HOLE FOR THE VALVE

Drill a 1/4" hole in the water pipe (even if using a self-piercing valve), using a sharp bit. Remove any burrs resulting from drilling the hole in the pipe.

Take care not to allow water to drain into the drill.

Failure to drill a 1/4" hole may result in reduced ice production or smaller cubes.

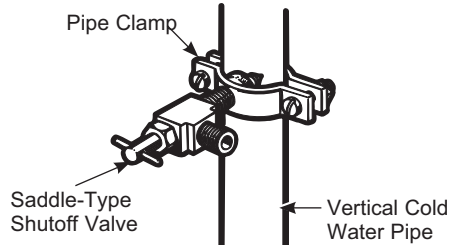


Installation Instructions

INSTALLING THE WATER LINE (Cont.)

4 FASTEN THE SHUTOFF VALVE

1. Fasten the shutoff valve to the cold water pipe with the pipe clamp.

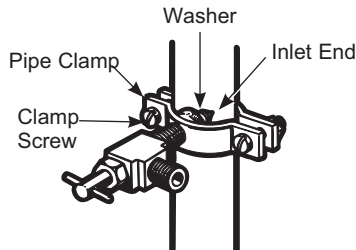


NOTE: Commonwealth of Massachusetts Plumbing Codes 248CMR shall be adhered to. Saddle valves are illegal and use is not permitted in Massachusetts. Consult with your licensed plumber.

5 TIGHTEN THE PIPE CLAMP

Tighten the clamp screws until the sealing washer begins to swell.

NOTE: Do not over tighten or you may crush the tubing.



6 ROUTE THE TUBING

Route the tubing between the cold water line and the refrigerator.

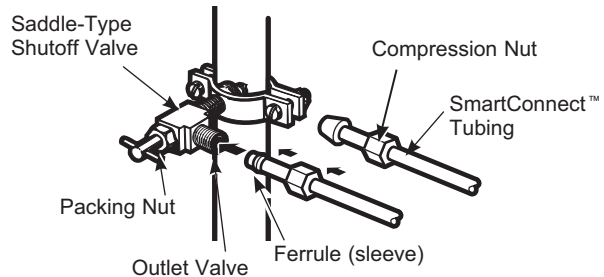
Route the tubing through a hole drilled in the wall or floor (behind the refrigerator or adjacent base cabinet) as close to the wall as possible.

7 CONNECT THE TUBING TO THE VALVE

Place the compression nut and ferrule (sleeve) for copper tubing onto the end of the tubing and connect it to the shutoff valve.

Make sure the tubing is fully inserted into the valve. Tighten the compression nut securely.

For plastic tubing from a SmartConnect™ Refrigerator Tubing kit, insert the molded end of the tubing into the shutoff valve and tighten compression nut until it is hand tight, then tighten one additional turn with a wrench. Over tightening may cause leaks.



NOTE: Commonwealth of Massachusetts Plumbing Codes 248CMR shall be adhered to. Saddle valves are illegal and use is not permitted in Massachusetts. Consult with your licensed plumber.

8 FLUSH OUT THE TUBING

Turn the main water supply on and flush out the tubing until the water is clear.

Shut the water off at the water valve after about one quart (1 liter), or 2 minutes, of water has been flushed through the tubing.



To complete the installation of the refrigerator, go back to Step 12 in Installing the Refrigerator.

Normal Operating Conditions.

Newer refrigerators sound different from older refrigerators. Modern refrigerators have more features and use newer technology.

Do you hear what I hear? These conditions are normal.

HUMMM...

WHOOSH...

- The new high efficiency compressor may run faster and longer than your old refrigerator and you may hear a high-pitched hum or pulsating sound while it is operating.
- You may hear a whooshing sound when the doors close. This is due to pressure equalizing within the refrigerator.
- After dispensing ice, a motor will close the ice chute to keep warm room air from entering the ice bucket, maintaining ice at a freezing temperature. The hum of the motor closing the ice chute is normal, shortly after dispensing ice.



- You may hear the fans spinning at high speeds. This happens when the refrigerator is first plugged in, when the doors are opened frequently or when a large amount of food is added to the refrigerator or freezer compartments. The fans are helping to maintain the correct temperatures.
- The fans change speeds in order to provide optimal cooling and energy savings.

CLICKS, POPS, CRACKS and SNAPS

- You may hear cracking or popping sounds when the refrigerator is first plugged in. This happens as the refrigerator cools to the correct temperature.
- The compressor may cause a clicking or chirping sound when attempting to restart (this could take up to 5 minutes).
- Expansion and contraction of cooling coils during and after defrost can cause a cracking or popping sound.
- On models with an icemaker, after an ice making cycle, you may hear the ice cubes dropping into the ice bucket.
- After dispensing ice, a motor will close the ice chute to keep warm room air from entering the ice bucket, maintaining ice at a freezing temperature.

WATER SOUNDS



- The flow of refrigerant through the cooling coils may make a gurgling noise like boiling water.
- Water dropping on the defrost heater can cause a sizzling, popping or buzzing sound during the defrost cycle.
- A water dripping noise may occur during the defrost cycle as ice melts from the evaporator and flows into the drain pan.
- Closing the door may cause a gurgling sound due to pressure equalization.
- If the AutoFill pitcher is not full it fills automatically approximately 5 seconds after the door is closed. It is normal to hear water rushing for up to several minutes while the pitcher is filling.

START UP COOLING

It can take up to 24 hours for the refrigerator temperatures to reach the set temperatures. During that time refrigerator and freezer door openings should be minimized.

Troubleshooting Tips... Before you call for service

Save time and money! Review the charts on the following pages first and you may not need to schedule service.

Problem	Possible Causes	What to Do
Not filtering	Filter bypass installed.	Install correct water filter.
Leak Detected at Filter	Water filter leaking or needs replacing.	Replace water filter or install filter bypass plug.
Water filter indicator light remains lit after replacing filter	Water filter or bypass plug installed backward or wrong filter installed.	Remove filter or bypass plug, rotate it 180 degrees and reinstall.
Handle is loose/handle has a gap.	Handle needs adjusting	See Installing the Refrigerator section for detailed instructions.
Refrigerator beeping	The door alarm is beeping from a door being ajar or open.	Close the door to turn off the alarm, or to disable the door alarm simultaneously hold the Fridge and Ice Maker buttons for three seconds.
	The refrigerator has detected conditions that could indicate a water leak has occurred.	Check the AutoFill pitcher for water leaks. Removing and reinstalling the pitcher will reset the alarm.
Refrigerator lights off and "SA" shown in display	Unit is in Sabbath mode	Simultaneously hold the Freezer, Ice Maker and AutoFill buttons for three seconds to exit Sabbath mode .
Not cooling	The cooling system is off	See Controls.
No water or ice cube production	Supply line or shutoff valve is clogged	Call a plumber
	Water filter is clogged	Replace filter cartridge or remove filter and install bypass plug*
	Filter cartridge not properly installed	Remove and reinstall filter cartridge, being certain that it locks in place.
	Icemaker is turned off	Check that the icemaker is turned on. See Controls

*Some models do not come equipped with the filter bypass plug. To obtain a free bypass plug, call 800.692.6630 and request WR17X33825 filter bypass plug. In Canada, call 800.561.3344.

Troubleshooting Tips... Before you call for service

Problem	Possible Causes	What to Do
Freezer cooling, refrigerator not cooling	Normal, when refrigerator first plugged in or after extended power outage	Wait 24 hours for temperature in both compartments to reach selected temperatures.
My refrigerator door squeaks	Diminished lubricant because of accidental cleaning of the lubricant on the hinge	It is best to order GEA lubricant service part number WR97X166 and apply on the hinge at specified location. It is possible to spray some non-toxic lubricant such as silicone based non-stick cooking spray, petroleum jelly or NSF approved food grade lubricants. IMPORTANT: Do not use WD-40 as it will remove any remaining grease in or around the hinge
	Improper leveling	Make sure the unit is leveled
	If doors were removed and re-assembled during installation process, waterline and/harness under Top Hinge cover may get out of position and rub against door while door swivels.	Remove the Top Hinge cover and make sure the waterline and harness that passes through the hinge pin has been properly seated and does not touch the any of the door parts during rotation. Applying some food grade lubricant around door thimble area will also help.

Truth or Myth

SERVICE

Save time and money! Review the charts on the following pages first and you may not need to schedule service.

Truth or Myth

Truth or Myth?	Answer	Explanation
The refrigerator water filter may require replacement, even though the filter indicator has not turned red, or reads "Filter Expired."	TRUE	The water filter indicator will indicate the need to replace the water filter every six months. Water quality varies from city to city; if water flow from the dispenser slows, or ice production decreases, the water filter should be replaced, even though the filter indicator may not indicate the need for replacement.
The automatic ice maker in my refrigerator will produce ice when the refrigerator is plugged in to a power receptacle.	MYTH	The refrigerator must be connected to water, and the ice maker must be turned on. Make sure the ice maker is turned on, only after the water line is connected and water is turned on. The ice maker can be turned on/off from the controls and ensure the ice maker is on, as indicated on the refrigerator control panel. See Automatic Ice Maker section in the full owner's manual available online.
I will never see frost inside the freezer compartment.	MYTH	Frost inside the freezer typically indicates that the door is not properly sealed, or has been left open. If frost is found, clear the frost using a plastic spatula and towel, then check to ensure that no food packages or containers are preventing the freezer door from closing. Check the refrigerator control panel to ensure the door alarm is on.
I can use the water filter bypass plug to determine if the filter requires replacement.	TRUE	Decrease in flow from the water dispenser, or decreased ice production, may indicate the need to replace the water filter. Install the water filter bypass plug (provided with the refrigerator on some models*), and check flow from the dispenser. If water flow returns to normal with the bypass plug in place, replace the water filter.
The top of the refrigerator doors will always be aligned.	MYTH	Several things can affect the refrigerator door alignment, including the floor the refrigerator is installed on and loading of doors. If the top of the refrigerator doors are not aligned, use a 1/4" allen wrench to adjust the right/left hand door. The adjustment screw is located on the bottom right or left hand side of the door. Refrigerator doors should be open during height adjustment. Open the freezer door to access the screw. See Step 15.
Refrigerator door handles can be easily tightened.	TRUE	If door handles are loose or have a gap, the handle can be adjusted using a 1/8" allen wrench, on set screws located on the ends of the handles.
There may be odor and taste problems with your ice.	TRUE	After starting the ice maker throw away 24 hours of ice production to avoid odor and taste problems.
I can make fine adjustments to the refrigerator doors to align them.	TRUE	If the refrigerator doors are not aligned, use a 1/4" Allen wrench to adjust the right hand door. The adjustment screw is located on the bottom of the right door. Open the freezer door to access. See step 15.

Truth or Myth

SERVICE

Save time and money! Review the charts on the following pages first and you may not need to schedule service.

Truth or Myth

Truth or Myth?	Answer	Explanation
Door handles should always be removed for installation.	MYTH	Check chart on reverse side of this instruction. If the doors must be removed do not remove the handles, or if the refrigerator will fit easily through the passage way opening. Adjust handles that are loose or have a gap, by adjusting 1/8" set screws on either end of handles.
Door removal is always required for installation.	MYTH	Check chart on reverse side of this instruction. Doors should only be removed when necessary to prevent damage from passage way or access to final location.
Refrigerator doors will self-close if left open.	MYTH	Refrigerator doors need to be closed by consumer. A gentle bounce back is a designed feature on some models that gives a positive feedback to the user so that they can initiate and complete the door closing action.
There is an adjustment to rear wheels.	MYTH	Front leveling legs are adjustable and should be used to balance the refrigerator. Leveling legs are used to make initial refrigerator door adjustment.
Check for leaks after all water connections are made.	TRUE	While purging the air from the water system, check all water line connections for leaks. Check the connection to the household water supply at back of refrigerator, and door water line connect.
Any packaging residue can be cleaned off the refrigerator using any cleaner.	MYTH	Do not use wax, polish, bleach, or other products containing chlorine on Stainless Steel panels, door handles and trim. Check this instruction under "Cleaning the Outside" for full details.

*Some models do not come equipped with the filter bypass plug. To obtain a free bypass plug, call 800.692.6630 and request WR17X33825 filter bypass plug. In Canada, call 800.561.3344.

Café Appliances Refrigerator Limited Warranty

LIMITED WARRANTY

cafeappliances.com

All warranty service is provided by our Factory Service Centers, or an authorized service technician. To schedule service online, visit us at cafeappliances.com/service. Please have your serial number and your model number available when scheduling service. In Canada, visit cafeappliances.ca/service.

Servicing your refrigerator may require the use of the onboard data port for diagnostics. This gives a Café Factory Service technician the ability to quickly diagnose any issues with your appliance and helps Café improve its products by providing Café with information on your appliance. If you do not want your appliance data to be sent to Café, please advise your technician NOT to submit the data to Café at the time of service.

For the Period of:	Café Will Replace
One Year From the date of the original purchase	Any part of the refrigerator which fails due to a defect in materials or workmanship. During the limited one-year warranty , Café will also provide, free of charge , all labor and related service to replace the defective part.
Thirty Days (Water filter, if included) From the original purchase date of the refrigerator	Any part of the water filter cartridge which fails due to a defect in materials or workmanship. During this limited thirty-day warranty , Café will also provide, free of charge , a replacement water filter cartridge.
Five Years From the date of the purchase	Any part of the sealed refrigerating system (the compressor, condenser, evaporator and all connecting tubing) which fails due to a defect in materials or workmanship. During this limited five-year sealed refrigerating system warranty , Café will also provide, free of charge , all labor and related service to replace the defective part in the sealed refrigerating system.

What Café Will Not Cover:

- Service trips to your home to teach you how to use the product.
- Improper installation, delivery or maintenance.
- Failure of the product if it is abused, misused, or used for other than the intended purpose or used commercially.
- Loss of food due to spoilage.
- Replacement of house fuses or resetting of circuit breakers.
- Damage to finish, such as surface rust, tarnish, or small blemishes not reported within 48 hours of delivery.
- Replacement of the water filter cartridge, if included, due to water pressure that is outside the specified operating range or due to excessive sediment in the water supply.
- Replacement of the light bulbs, if included, or water filter cartridge, if included, other than as noted above.
- Damage to the product caused by accident, fire, floods or acts of God.
- Incidental or consequential damage caused by possible defects with this appliance.
- Product not accessible to provide required service.
- Damage caused by a non-GE Appliances Brand water filter.

EXCLUSION OF IMPLIED WARRANTIES
Your sole and exclusive remedy is product repair as provided in this Limited Warranty. Any implied warranties, including the implied warranties of merchantability or fitness for a particular purpose, are limited to one year or the shortest period allowed by law.

For US Customers: This limited warranty is extended to the original purchaser and any succeeding owner for products purchased for home use within the USA. If the product is located in an area where service by a Café Authorized Servicer is not available, you may be responsible for a trip charge or you may be required to bring the product to an Authorized Café Service location for service. In Alaska, the limited warranty excludes the cost of shipping or service calls to your home.

Some states do not allow the exclusion or limitation of incidental or consequential damages. This limited warranty gives you specific legal rights, and you may also have other rights which vary from state to state. To know what your legal rights are, consult your local or state consumer affairs office or your state's Attorney General.

Warrantor: GE Appliances, a Haier company
Louisville, KY 40225

For Customers in Canada: This limited warranty is extended to the original purchaser and any succeeding owner for products purchased in Canada for home use within Canada. In-home warrant service will be provided in areas where it is available and deemed reasonable by Mabe to provide.

Warrantor Canada: MC Commercial, Inc., Burlington, Ontario, L7R 5B6

Staple your receipt here. Proof of the original purchase date is needed to obtain service under the warranty.

XWFE Water Filter Cartridge Limited Warranty

Contact us at geapplianceparts.com.

For the period of	GE Appliances will replace
Thirty Days From the date of the original purchase	Any part of the water filter cartridge which fails due to a defect in materials or workmanship during this limited thirty-day warranty .*

What GE Appliances will not cover:

- Service trips to your home to teach you how to use the product.
- Improper installation.
- Failure of the product if it is abused, misused, used for other than the intended purpose or used commercially.
- Replacement of house fuses or resetting of circuit breakers.
- Damage to the product caused by accident, fire, floods, or acts of God.
- Incidental or consequential damage caused by possible defects with this appliance.

EXCLUSION OF IMPLIED WARRANTIES

Your sole and exclusive remedy is part exchange as provided in this Limited Warranty. Any implied warranties, including the implied warranties of merchantability or fitness for a particular purpose, are limited to six months or the shortest period allowed by law.

This warranty is extended to the original purchaser and any succeeding owner for products purchased for home use within the USA. In Alaska, the warranty excludes the cost of shipping or service calls to your home.

Some states do not allow the exclusion or limitation of incidental or consequential damages. This warranty gives you specific legal rights, and you may also have other rights which vary from state to state. To know what your legal rights are, consult your local or state consumer affairs office or your state's Attorney General.

For Purchases Made In Iowa: This form must be signed and dated by the buyer and seller prior to the consummation of this sale.

This form should be retained on file by the seller for a minimum of two years.

Buyer:

Name _____
 Address _____
 City _____ State _____ Zip _____
 Signature _____ Date _____

Seller:

Name _____
 Address _____
 City _____ State _____ Zip _____
 Signature _____ Date _____

*If your GE Appliances part fails because of a manufacturing defect within thirty days from the date of original purchase for use, we will give you a new or, at our option, a rebuilt part without charge. Return the defective part to the parts supplier from whom it was purchased together with a copy of the "proof of purchase" for the part. If the part is defective and shows no signs of abuse, it will be exchanged. The warranty does not cover the failure of parts which are damaged while in your possession, are abused, or have been installed improperly. It does not cover the cost of returning the part to the supplier from whom it was purchased nor does it cover the cost of labor to remove or install it to diagnose the fault. It does not cover parts used in products in commercial use except in the case of air conditioning equipment. In no event shall GE Appliances be liable for consequential damages. Warrantor: GE Appliances, a **Haier** company

Staple your receipt here. Proof of the original purchase date is needed to obtain service under the warranty.

Performance Data Sheet

Model: GE Appliances XWFE

- System certified by IAPMO R&T against NSF/ANSI Standards 42, 53, 401, and P473 for the reduction of claims specified on the performance data sheet and at iapmort.org.
- Actual performance may vary with local water conditions.

Substance Tested for Reduction	Influent challenge concentration (mg/L)	Maximum permissible product water concentration (mg/L)	Avg % Reduction
Chlorine Taste and Odor	2.0 mg/L +/- 10%	N/A	96.9
Chloramine Taste and Odor	3.0 mg/L +/- 10%	0.5	96.9
Particulate, Class I	At least 10,000/mL	N/A	91.4
Cysts	50,000/L	N/A	>99.99
Lead	0.15	0.01	98.85
Mercury	0.006	0.002	96.3
Asbestos	107 to 108 fibers/ L	N/A	>99
Toxaphene	0.015 +/- 10%	0.003	86.95
VOC (Chloroform surrogate chemical)	0.300	0.015	99.7
Alachlor	0.050	0.001	> 98
Atrazine	0.100	0.003	> 97
Benzene	0.081	0.001	> 99
Carbofuran	0.190	0.001	> 99
carbon tetrachloride	0.078	0.0018	98
chlorobenzene	0.077	0.001	> 99
chloropicrin	0.015	0.0002	99
2,4-D	0.110	0.0017	98
dibromochloropropane (DBCP)	0.052	0.00002	> 99
o-Dichlorobenzene	0.08	0.001	> 99
p-Dichlorobenzene	0.040	0.001	> 98
1,2-dichloroethane	0.088	0.0048	95
1,1-dichloroethylene	0.083	0.001	> 99
cis-1,2-dichloroethylene	0.170	0.0005	> 99
trans-1,2-dichloroethylene	0.086	0.001	> 99
1,2-dichloropropane	0.080	0.001	> 99
cis-1,3-dichloropropylene	0.079	0.001	> 99
dinoseb	0.170	0.0002	99
Endrin	0.053	0.00059	99
Ethylbenzene	0.088	0.001	> 99
ethylene dibromide (EDB)	0.044	0.00002	> 99
bromochloroacetonitrile	0.022	0.0005	98
dibromoacetonitrile	0.024	0.0006	98
dichloroacetonitrile	0.0096	0.0002	98
trichloroacetonitrile	0.015	0.0003	98
1,1-dichloro-2-propanone	0.0072	0.0001	99
1,1,1-trichloro-2-propanone	0.0082	0.0003	96
heptachlor (H-34, Heptox)	0.025	0.00001	>99
heptachlor epoxide	0.0107	0.0002	98
hexachlorobutadiene	0.044	0.001	> 98
hexachlorocyclopentadiene	0.060	0.000002	> 99
Lindane	0.055	0.00001	> 99
methoxychlor	0.050	0.0001	> 99
pentachlorophenol	0.096	0.001	> 99
simazine	0.120	0.004	> 97
Styrene	0.150	0.0005	> 99
1,1,2,2-tetrachloroethane	0.081	0.001	> 99
Tetrachloroethylene	0.081	0.001	> 99
Toluene	0.078	0.001	> 99
2,4,5-TP (silvex)	0.270	0.0016	99
tribromoacetic acid	0.042	0.001	> 98
1,2,4-Trichlorobenzene	0.160	0.0005	> 99
1,1,1-trichloroethane	0.084	0.0046	95
1,1,2-trichloroethane	0.150	0.0005	> 99
trichloroethylene	0.180	0.0010	> 99
bromoform	0.300	0.015	95
bromodichloromethane	0.300	0.015	95
chlorodibromomethane	0.300	0.015	95
xylene	0.070	0.001	>99
Meprobamate	400 +/- 20%	60	95.5
Atenolol	200 +/- 20%	30	95.9
Carbamazepine	1400 +/- 20%	200	98.6
DEET	1400 +/- 20%	200	98.6
Metolachlor	1400 +/- 20%	200	98.7
Trimethoprim	140 +/- 20%	20	96.1
Linuron	140 +/- 20%	20	96.6
TCEP	5000 +/- 20%	700	98.1
TCPP	5000 +/- 20%	700	98.1
Phenytol	200 +/- 20%	30	96
Ibuprofen	400 +/- 20%	60	95.9
Naproxen	140 +/- 20%	20	96.5
Estrone	140 +/- 20%	20	97.1
Bisphenol A	2000 +/- 20%	300	99.1
Nonyl phenol	1400 +/- 20%	200	97.3

Application Guidelines/Water Supply Parameters

Service Flow	0.5 gpm (1.89 lpm)
Water Supply	Potable Water
Water Pressure	25-120 psi (172-827 kPa)
Water Temperature	33°F-100°F (0.6°C-38°C)
Capacity	170 gallons (643.5 liters)

It is essential that the manufacturer's recommended installation, maintenance and filter replacement requirements be carried out for the product to perform as advertised. See Installation Manual for Warranty information.

NOTE: While the testing was performed under standard laboratory conditions, actual performance may vary. Replacement Cartridge: XWFE. For estimated costs of replacement elements please visit our website at cafeappliances.com.

⚠ WARNING To reduce the risk associated with ingestion of contaminants:

- Do not use with water that is microbiologically unsafe or of unknown quality without adequate disinfection before and after the system. Systems certified for cyst reduction may be used on disinfected water that may contain filterable cysts.

NOTICE

To reduce the risk of water leakage or flooding, and to ensure optimal filter performance:

- Read and follow use instructions before installation and use of this system.
- Installation and use **MUST** comply with all state and local plumbing codes.
- Do not install if water pressure exceeds 120 psi (827 kPa). If your water pressure exceeds 80 psi (552 kPa), you **must** install a pressure-limiting valve. Contact a plumbing professional if you are uncertain how to check your water pressure.
- Do not install where water hammer conditions may occur. If water hammer conditions exist you **must** install a water hammer arrester. Contact a plumbing professional if you are uncertain how to check for this condition.
- Do not install on hot water supply lines. The maximum operating water temperature of this filter system is 100° F (38° C).
- Protect filter from freezing. Drain filter when temperatures drop below 33°F (0.6°C).
- Change the disposable filter cartridge every six months or sooner if you observe a noticeable reduction in water flow rate.
- Failure to replace the disposable filter cartridge at recommended intervals may lead to reduced filter performance and cracks in the filter housing, causing water leakage or flooding.
- This System has been tested according to NSF/ANSI 42, 53, 401, and P473 for the reduction of the substances listed below. The concentration of the indicated substances in water entering the system was reduced to a concentration less than or equal to the permissible limit for water leaving the system, as specified in NSF/ANSI 42, 53, 401, and P473.



XWFE System is certified by IAPMO R&T against NSF/ANSI Standards 42, 53, 401, and P473 for the reduction of claims specified on the performance data sheet and at iapmort.org.

Notes

Notes

Consumer Support

Café Website

Have a question or need assistance with your appliance? Try the Café website 24 hours a day, any day of the year! You can also shop for more great Café products and take advantage of all our on-line support services designed for your convenience. In the US: cafeappliances.com In Canada: cafeappliances.ca

Register Your Appliance

Register your new appliance on-line at your convenience! Timely product registration will allow for enhanced communication and prompt service under the terms of your warranty, should the need arise. You may also mail in the pre-printed registration card included in the packing material. In the US: cafeappliances.com/register
In Canada: cafeappliances.ca/registration

Schedule Service

Expert Café repair service is only one step away from your door. Get on-line and schedule your service at your convenience any day of the year. In the US: cafeappliances.com/service In Canada: cafeappliances.ca/service

Extended Warranties

Purchase a Café extended warranty and learn about special discounts that are available while your warranty is still in effect. You can purchase it on-line anytime. Café Service will still be there after your warranty expires.
In the US: cafeappliances.com/extended-warranty In Canada: cafeappliances.ca/extended-warranty

Parts and Accessories

Individuals qualified to service their own appliances can have parts or accessories sent directly to their homes (VISA, MasterCard and Discover cards are accepted). Order on-line today 24 hours every day.
In the US: cafeappliances.com/parts

Instructions contained in this manual cover procedures to be performed by any user. Other servicing generally should be referred to qualified service personnel. Caution must be exercised, since improper servicing may cause unsafe operation.

Customers in Canada should consult the yellow pages for the nearest Mabe service center, visit our website at cafeappliances.com/parts

Contact Us

If you are not satisfied with the service you receive from Café, contact us on our website with all the details including your phone number, or write to:

In the US: General Manager, Customer Relations | Café Appliances, Appliance Park | Louisville, KY 40225
cafeappliances.com/contact

In Canada: Director, Consumer Relations, Mabe Canada Inc. | Suite 310, 1 Factory Lane | Moncton, N.B. E1C 9M3
cafeappliances.ca/contact



DISTINCT BY DESIGN™

Manuel d'utilisation et d'installation

Congélateur au bas réfrigérateurs

Modelos CGE

Contents

Consignes de sécurité	3	Conseils de dépannage	34
Consignes d'utilisation		Fonctionnement normal	34
Fonctions	6	Conseils de dépannage	35
Commandes	7	Entretien - Mythe ou réalité	37
Mode Sabbat	7	Garantie limitée	39
Autofill (Remplissage automatique)	9	Assistance à la clientèle	
WiFi	10	Certificat de garantie du filtre à eau 42	
Réponse à la demande	11	à cartouche XWFE	40
Filtre à eau	12	Données de performance	41
Stockage du réfrigérateur	13	Assistance à la clientèle	44
Machine à glaçons automatique	17		
Entretien et nettoyage	18		
Remplacement des ampoules	19		
Instructions d'installation			
Préparation avant installation du réfrigérateur	20		
Installation du réfrigérateur	23		
Installation de l'alimentation en eau	31		

Transcrivez les numéros de modèle et de série ici :

Numéro de modèle : _____

Numéro de série : _____

Vous trouverez ces numéros sur l'étiquette apposée sur le côté gauche à mi-hauteur du compartiment de réfrigération.

FRANÇAIS

NOUS VOUS REMERCIONS D'ACCUEILLIR CAFÉ CHEZ VOUS

Nous sommes fiers du savoir-faire, de l'innovation et de l'esthétique qui composent chaque appareil Café, et nous pensons que vous le serez aussi. Dans cette optique, nous vous rappelons que l'enregistrement de votre électroménager vous assure la communication de renseignements importants sur le produit et la garantie lorsque vous en avez besoin.

Enregistrez votre électroménager Café en ligne dès maintenant. Des sites Web utiles figurent dans la section Soutien au consommateur de ce manuel d'utilisation. Vous pouvez aussi poster la fiche de garantie pré-imprimée incluse dans l'emballage.

C A F É

D I S T I N C T B Y D E S I G N™

INFORMATION DE SÉCURITÉ IMPORTANTES

LISEZ TOUTES LES DIRECTIVES AVANT D'UTILISER L'APPAREIL

⚠ AVERTISSEMENT Pour réduire le risque d'incendie, d'explosion, de choc électrique ou de blessures lorsque vous utilisez votre réfrigérateur, veuillez suivre ces consignes de sécurité:

- Ce réfrigérateur doit être correctement installé conformément aux Consignes d'Installation avant toute utilisation.
- Débranchez le réfrigérateur avant d'effectuer une réparation, de remplacer une ampoule ou de le nettoyer.
Remarque : L'alimentation du réfrigérateur ne peut être déconnectée par aucune des fonctions sur le panneau de commande.
Remarque : Les réparations doivent être effectuées par un professionnel qualifié.
- Remettez toutes les pièces et panneaux en place avant d'utiliser l'appareil.
- N'utilisez pas un cordon de rallonge.
- Abstenez-vous d'entreposer ou d'utiliser de l'essence ou d'autres vapeurs et liquides inflammables aux alentours de cet électroménager ou d'autres appareils.
- N'entreposez pas dans cet électroménager des substances explosives telles que des bombes aérosols qui contiennent un gaz propulseur.
- Pour éviter les risques d'asphyxie et d'enfermement pour les enfants. Démontez les portes du congélateur et du compartiment de réfrigération avant de le mettre au rebut ou d'interrompre son utilisation.
- Afin de prévenir les accidents graves ou la mort, les enfants ne doivent pas se tenir ni jouer dans ou sur l'électroménager.
- Les enfants et les personnes dont les capacités sont réduites sur le plan physique, sensoriel ou mental, ou qui manquent d'expérience ou de connaissances, peuvent utiliser cet électroménager seulement si elles sont surveillées ou ont reçues des consignes de sécurité sur son usage et les risques y sont associés.
- Cet électroménager est conçu pour une utilisation domestique et applications similaires : salle du personnel dans une usine, un bureau ou d'autres lieux de travail; maison de ferme; clients dans un hôtel, un motel, un gîte touristique et d'autres lieux résidentiels; approvisionnement et applications similaires non reliées au commerce de détail.
- Raccordez-vous à une alimentation en eau potable seulement. Une alimentation en eau potable est requise pour le fonctionnement de la machine à glaçons. La pression d'eau doit se situer entre 40 et 120 psi (275 à 827 kilopascals).
- N'appliquez pas de nettoyants corrosifs sur le réfrigérateur. Certains nettoyants endommagent le plastique et peuvent ainsi causer le détachement inopiné de pièces telles que porte ou poignées de porte. Voyez la section Entretien et nettoyage pour des instructions détaillées.

⚠ ATTENTION Pour réduire le risque de blessures lorsque vous utilisez votre réfrigérateur, veuillez suivre ces consignes de sécurité:

- Ne nettoyez pas les clayettes ou les couvercles en verre avec de l'eau tiède quand ceux-ci sont froids. Les clayettes et couvercles en verre peuvent se casser s'ils sont exposés à des changements soudains de température ou si vous les cognez ou les faites tomber. Le verre trempé est conçu pour se briser en petits morceaux en cas de casse.
- Éloignez les doigts des parties du congélateur où l'on peut facilement se pincer : les espaces entre les portes, et entre les portes et les placards sont toujours étroits. Soyez prudent lorsque vous fermez les portes en présence d'enfants.
- Ne recongelez pas les aliments surgelés qui ont complètement dégelé.
- Ne touchez pas aux surfaces froides du compartiment congélateur lorsque vous avez les mains humides ou mouillées, la peau risque d'adhérer à ces surfaces extrêmement froides.
- Si votre réfrigérateur est doté d'une machine à glaçons automatique, évitez le contact avec les pièces mobiles du mécanisme éjecteur, ou avec l'élément chauffant qui libère les glaçons. Ne posez pas les doigts ou les mains sur le mécanisme de la machine à glaçons automatique pendant que le réfrigérateur est branché.
- Utilisez un verre résistant pour prendre des glaçons (sur les modèles avec distributeur de glaçons).
- Installez le pichet à remplissage automatique à fond sur sa base pour prévenir sa chute lors de l'ouverture de la porte. Lorsqu'il est rempli d'eau, le pichet est lourd et sa chute pourrait occasionner des blessures.

⚠ AVERTISSEMENT  **RISQUE D'INCENDIE OU D'EXPLOSION**

Conservez les matériaux et les vapeurs inflammables à l'écart du réfrigérateur. Une explosion, un incendie voire la mort pourrait en résulter.

LIRE ET CONSERVER CES INSTRUCTIONS

INFORMATION DE SÉCURITÉ IMPORTANTES

LISEZ TOUTES LES DIRECTIVES AVANT D'UTILISER L'APPAREIL

AVERTISSEMENT **RISQUE D'INCENDIE OU D'EXPLOSION** Réfrigérant inflammable

Cet appareil contient un gaz réfrigérant avec isobutane aussi connu sous R600a, un gaz naturel à compatibilité élevée avec l'environnement. Il s'agit cependant d'un combustible. Observez les consignes de sécurité ci-dessous afin de réduire le risque de blessure ou de dommage à la propriété.

- Lors de la manipulation, de l'installation et de l'utilisation de cet appareil, prenez soin de ne pas endommager la tubulure du réfrigérant.
- L'entretien ou la réparation doivent être effectués par un personnel de service autorisé. Utilisez seulement des pièces de rechange autorisées par le fabricant.
- Mettez le réfrigérateur au rebut conformément aux réglementations fédérales et locales. Le gaz réfrigérant inflammable et les matériaux d'isolation utilisés dans ce produit requièrent des procédures de mise au rebut spéciales. Communiquez avec les autorités locales compétentes pour la mise au rebut de votre réfrigérateur sans danger pour l'environnement.
- N'obstruez pas les orifices de ventilation dans les enceintes ou la structure d'encastrement de l'appareil.
- Pour enlever le givre, grattez à l'aide d'un grattoir ou d'une spatule en plastique ou en bois. N'utilisez pas de pic à glace ou un instrument métallique à bord tranchant pour éviter de perforer la cuve interne du congélateur et la tubulure du gaz réfrigérant derrière cette dernière.
- N'utilisez pas d'appareils électriques dans le compartiment de rangement des aliments de cet appareil.
- N'utilisez aucun appareil électrique pour dégivrer votre congélateur.

AVERTISSEMENT

Pour réduire le risque d'étouffement pendant l'installation de ce produit, ne pas laisser les petites pièces à la portée des enfants âgés de moins de 3 ans.

BRANCHEMENTS ÉLECTRIQUES

AVERTISSEMENT **RISQUE DE CHOC ÉLECTRIQUE**

Branchez l'appareil dans une prise triple avec terre

Ne retirez pas la broche de terre

N'utilisez pas d'adaptateur

N'utilisez pas un cordon de rallonge

Le non-respect de ces instructions peut entraîner des risques d'incendies, des chocs électriques ou la mort

Ne coupez pas ou n'enlevez pas, sous aucun prétexte, la troisième broche de mise à la terre du cordon d'alimentation. Pour des raisons de sécurité, cet appareil doit être correctement mis à la terre.

- Le cordon d'alimentation de cet appareil est équipé d'une fiche à trois broches (pour une mise à la terre) qui s'adapte à la prise de courant standard à 3 broches (pour une mise à la terre) pour minimiser les risques de chocs électriques par cet appareil.
- Faites vérifier la prise murale et le circuit électrique par un électricien qualifié pour s'assurer que le système est correctement mis à la terre.
- Dans le cas d'une prise biphasée, l'installateur a la responsabilité et l'obligation de la remplacer par une prise triphasée correctement mise à la terre. N'utilisez pas d'adaptateur.
- Le réfrigérateur doit toujours être branché à sa propre prise électrique d'une tension nominale correspondant à celle indiquée sur sa plaque signalétique.
- Une alimentation électrique à 115 volts CA, 60 Hz, avec un fusible de 15 ou 20 ampères et une mise à la terre est nécessaire. Ceci permet d'obtenir un meilleur rendement et évite de surcharger les circuits électriques du domicile qui risque d'occasionner un incendie en surchauffant.
- Ne débranchez jamais le réfrigérateur en tirant sur le cordon d'alimentation. Prenez toujours fermement la fiche en main et tirez pour la sortir de la prise.
- Réparez ou remplacez immédiatement tout cordon électrique usé ou endommagé. N'utilisez pas un cordon fissuré ou présentant des dommages dus aux frottements soit sur sa longueur ou aux extrémités.
- Lorsque vous éloignez votre réfrigérateur du mur, faites attention à ne pas le faire rouler sur le cordon d'alimentation afin de ne pas l'endommager.

LIRE ET CONSERVER CES INSTRUCTIONS

INFORMATION DE SÉCURITÉ IMPORTANTES

LISEZ TOUTES LES DIRECTIVES AVANT D'UTILISER L'APPAREIL

⚠ AVERTISSEMENT RISQUE DE SUFFOQUER OU D'Y ÊTRE EMPRISONNÉ

Le non-respect de ces instructions d'élimination peut entraîner la mort ou des blessures graves.

IMPORTANT: Les enfants pris au piège ou morts d'asphyxie sont toujours d'actualité. Les réfrigérateurs et congélateurs abandonnés sont toujours aussi dangereux, même si on n'attend que «quelques jours» pour s'en débarrasser. Si vous ne gardez pas votre ancien réfrigérateur ou congélateur, veuillez suivre les directives ci-dessous afin de prévenir les accidents.

Avant de vous débarrasser de votre ancien appareil :

- Démontez les portes du compartiment de réfrigération et du compartiment de congélation.
- Laissez les clayettes en place afin d'empêcher les enfants de grimper à l'intérieur.

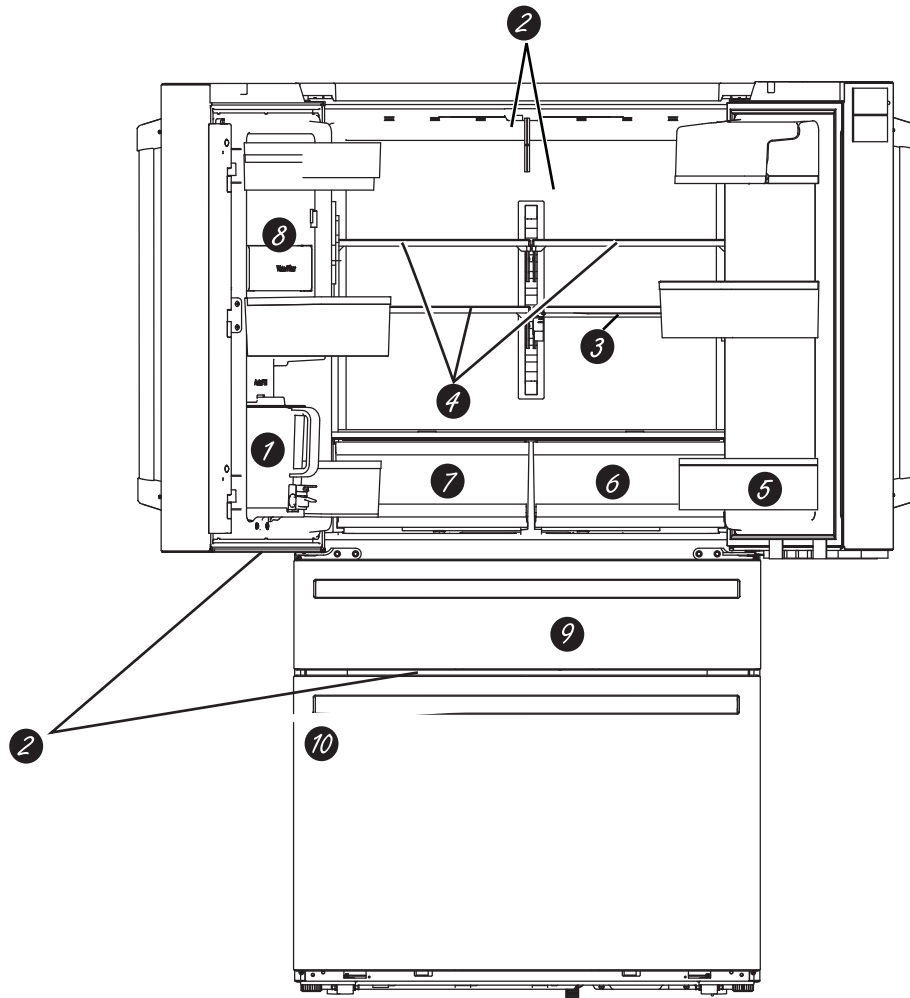
MISE AU REBUT DU RÉFRIGÉRANT ET DE LA MOUSSE:

Jetez ou recyclez votre appareil conformément aux lois fédérales et de votre localité. Le réfrigérant et le matériau isolant inflammables utilisés requièrent des procédures de mise au rebut spéciales. Communiquez avec les instances locales pour savoir comment mettre votre réfrigérateur au rebut ou le recycler.

LIRE ET CONSERVER CES INSTRUCTIONS

Fonctions

Modèle CGE



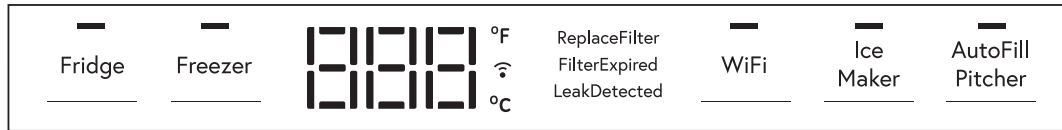
- 1 Pichet à remplissage automatique**
Conçu pour le remplissage mains libres afin de fournir de l'eau filtrée réfrigérée constamment disponible.
- 2 Éclairage DEL général**
L'éclairage à DEL est placé dans tout le compartiment pour éclairer différentes zones du réfrigérateur. Des DEL sont situées sous la porte réfrigérateur afin d'éclairer le tiroir convertible, et des DEL se trouvent sous le tiroir convertible pour éclairer le tiroir congélateur.
- 3 Clayette QuickSpace™**
Elle s'utilise comme une clayette normale de pleine largeur. Elle se glisse vers l'arrière pour stocker des produits hauts.
- 4 Clayettes anti-débordements**
Conçues pour empêcher les aliments renversés de couler et permettre ainsi un nettoyage facile.
- 5 Balconnet amovible**
On peut le retirer lorsque l'ouverture de porte est limitée par un mur.
- 6 SCC (système à contrôle climatique)**
Des bacs SCC étanches prolongent la conservation des fruits et légumes frais en maintenant l'humidité.
- 7 Bac ventilé**
Un bac ventilé pour ranger les fruits et légumes.
- 8 Filtre à eau**
Filtre l'eau et la glace. Certifié pour réduire les kystes résistants au chlore, le plomb, certains produits pharmaceutiques, et plus encore. Pour obtenir des instructions de remplacement du filtre, reportez-vous à la page 12.
- 9 Tiroir convertible**
Réglez la meilleure température pour ranger vos aliments.
- 10 Machine à glaçons**
Stockage de glace dans le tiroir supérieur gauche du compartiment congélateur.

Contrôles

Tous les modèles

Nous mettons constamment à jour notre logiciel. Veuillez vous reporter au manuel d'utilisation complet en ligne pour connaître la fonction la plus récente sur visitez cafeappliances.ca.

Les réglages de température recommandés, pré-réglés à l'usine, sont 37 °F (3 °C) pour le réfrigérateur et 0 °F (-18 °C) pour le congélateur.



Les commandes de températures sont pré-réglées en usine à 37°F (3°C) pour le compartiment réfrigérateur et à 0°F (-18°C) pour le compartiment congélateur. Veuillez attendre 24 heures pour que la température se stabilise au pré-réglage recommandé.

Pour modifier la température du réfrigérateur :

Appuyez sur le bouton Fridge pour faire défiler les réglages de température disponibles de 34 °F (1 °C) à 42 °F (6 °C). Notez que la température de consigne revient au réglage le plus bas lors de l'indexation du bouton Fridge au réglage le plus élevé.

Appuyez sur le bouton Freezer pour faire défiler les réglages de température disponibles de -6 °F (-21 °C) à 5 °F (-15 °C). Notez que la température de consigne revient au réglage le plus bas lors de l'indexation du bouton Freezer au réglage le plus élevé.

Le système de refroidissement peut être éteint sans couper l'alimentation électrique du réfrigérateur. Appuyez sur les boutons **Fridge**, **Freezer** et **Ice Maker** durant 3 secondes pour activer ou désactiver le système de refroidissement. **CS** suivi de **OFF** ou **ON** s'affiche.

Control Settings

- Appuyez sur les boutons Fridge et Ice Maker durant 3 secondes pour activer ou désactiver l'alarme de porte.
- Appuyez sur le bouton Ice Maker pour activer ou désactiver la machine à glaçons.
- Appuyez sur le bouton WiFi pour activer le Wi-Fi. Maintenez le bouton WiFi enfoncé durant 3 secondes pour désactiver le Wi-Fi.
- Appuyez sur le bouton AutoFill Pitcher pour activer ou désactiver le pichet à remplissage automatique.

Fahrenheit / Celsius:

Appuyez sur le bouton Fridge ou Freezer pour afficher la température, puis maintenez les boutons Freezer et Ice Maker enfoncés durant 3 secondes pour basculer entre Celsius et Fahrenheit.

Contrôle du volume sonore :

Maintenez les boutons Freezer et AutoFill Pitcher enfoncés durant 3 secondes pour faire défiler le niveau sonore entre Hi (élevé), Lo (faible) et Off (éteint).

Mode Sabbat :

Maintenez les boutons Freezer, Ice Maker et AutoFill Pitcher enfoncés durant 3 secondes pour activer ou désactiver le mode Sabbat.

Mode sabbat - OU (Orthodox Union) et CRC (Central Rabbinical Congress)

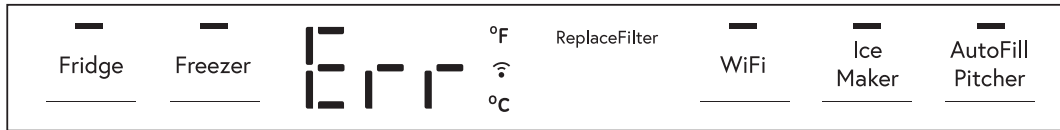
Ce réfrigérateur offre un mode sabbat OU et CRC conforme aux normes établies par les organismes Orthodox Union, Central Rabbinical Congress et Halacha Tech, et il est certifié conforme à 100 % aux normes Halachah les plus élevées. Pour activer les modes de sabbat OU et CRC, un dispositif Shabbos Keeper (non fourni) doit être connecté au réfrigérateur. On peut se procurer un Shabbos Keeper sur les sites zmantechnologies.com ou geappliances.com. La seule façon d'activer le mode sabbat OU et CRC est de se procurer un Shabbos Keeper pour réfrigérateurs. Le Shabbos Keeper se connecte à votre réfrigérateur pour activer automatiquement

les modes compatibles Shabbos chaque semaine et avant chaque jour férié. Le mode approprié s'activera automatiquement en fonction de la date du calendrier juif de votre région. Lorsque le Shabbos Keeper est correctement connecté au réfrigérateur, l'écran affiche « SA ».



Contrôles

Cartouche de filtre XWFE



L'écran des commandes supérieures illumine les messages suivants:

- **Replace Filter** - Il faut remplacer le filtre car il ne reste que 10 % de sa durée de vie.
- **Leak Detected** - De l'eau est détectée au niveau du filtre, indiquant la présence d'une fuite.
- **Expired Filter** - Le filtre est périmé car il a été utilisé pendant 6 mois.
- **Err** - Aucun filtre n'est présent ou le mauvais filtre est installé.

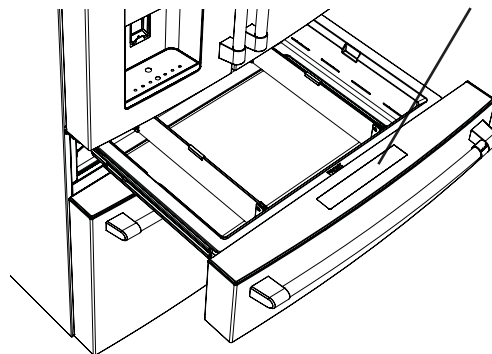
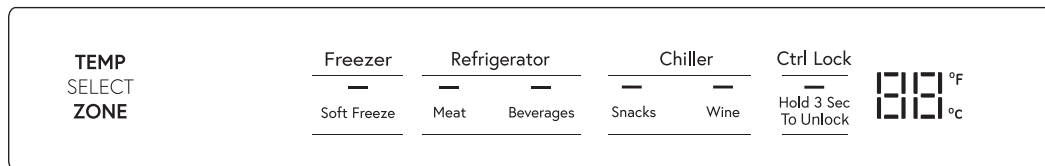
Dans tous ces cas, l'affichage se réinitialise automatiquement lorsque la condition d'anomalie est corrigée.

Tiroir convertibile modèle CGE

La température dans le tiroir convertibile est sélectionnée en pressant le type d'aliment à conserver dans le tiroir. Les températures correspondantes sont :

Soft Freeze (congélation modérée)	23°F (-5°C)
Meat (moi à)	29°F (-2°C)
Beverages (breuvages)	33°F (1°C)
Snacks (des collations)	37°F (3°C)
Wine (vin)	42°F (6°C)

Le réglage de température est verrouillé par défaut. Il faut presser le bouton durant 3 secondes pour déverrouiller.



Pichet à remplissage automatique

Placez le couvercle du pichet de façon qu'il rentre solidement. Alignez la partie surélevée du couvercle avec la fente de la porte et faites glisser le pichet dans la porte jusqu'à ce qu'il tombe complètement dans le plateau du pichet.

Le pichet se remplit automatiquement d'eau environ 5 secondes après la fermeture de la porte. Le pichet ne se remplit pas d'eau lorsque la porte FF gauche est ouverte. Le pichet s'éteint automatiquement après le remplissage à environ 60 onces.

Le pichet est conçu pour minimiser l'éclaboussement, mais veuillez à ne pas ouvrir ou fermer la porte avec une force excessive pour éviter que de l'eau ne s'échappe du bec du pichet.

La méthode la plus simple pour retirer le couvercle consiste à pousser vers le haut le bord arrière surplombant du couvercle près de la poignée.

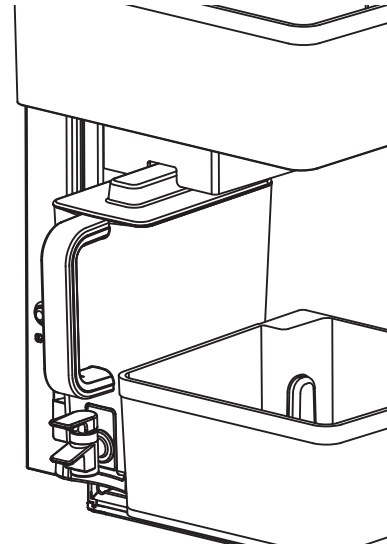
Nettoyage du pichet à remplissage automatique

Le pichet et son couvercle vont au lave-vaisselle. Le couvercle doit être placé dans le panier supérieur seulement et le pichet dans le panier inférieur du lave-vaisselle. Exécutez un cycle de lavage normal.

Pour optimiser les performances de votre pichet à remplissage automatique, il est recommandé de rincer à fond après le lavage afin d'éliminer tous les résidus de savon.

Si votre pichet a été en contact avec des aliments susceptibles de provoquer une décoloration (p. ex. ketchup, moutarde), nettoyez-le rapidement. Cela permet d'éviter toute décoloration éventuelle de votre pichet.

Si vous souhaitez commander un deuxième pichet à remplissage automatique, allez sur www.geapplianceparts.com.



WiFi (pour les clients aux États-Unis, ses territoires et au Canada)

La présence d'une étiquette intitulée **Connected Appliance Information** sur votre réfrigérateur indique qu'il peut être connecté à votre réseau Wi-Fi et ainsi communiquer avec votre appareil mobile pour la surveillance, le contrôle et les notifications à distance.

Veuillez visiter GEAppliances.com/connect en apprendre davantage sur les fonctions de connexion pour électroménagers et les applications compatibles avec votre appareil mobile.

MISES À JOUR DU LOGICIEL

L'une des caractéristiques de l'SmartHQ™ consiste à accepter les mises à jour du logiciel du réfrigérateur. Lorsque l'utilisateur accepte les mises à jour, les indicateurs du réfrigérateur seront éteints et toutes les caractéristiques seront désactivées pendant la mise à jour. Ceci est normal pendant les mises à jour du logiciel. Nous encourageons les utilisateurs à vérifier les réglages du réfrigérateur après une mise à jour du logiciel.

RENSEIGNEMENTS RÉGLEMENTAIRES

Déclaration de conformité de la FCC/IC :

Cet appareil est conforme aux prescriptions de la partie 15 des règles de la FCC. Le fonctionnement de cet équipement est assujéti aux deux conditions suivantes :

1. Cet appareil ne doit pas causer de brouillage préjudiciable.
2. Cet appareil doit accepter tout brouillage qu'il reçoit, y compris celui pouvant entraîner un fonctionnement indésirable.

Cet équipement a été testé et déclaré conforme aux limites imposées pour un appareil numérique de Classe B, conformément à la partie 15 de la réglementation FCC. Ces limites sont définies afin d'assurer une protection raisonnable contre le brouillage nuisible dans une installation résidentielle. Cet équipement génère, utilise et émet des fréquences radio qui, en cas d'une installation erronée ou d'une utilisation non-conforme aux instructions de ce manuel d'utilisation peuvent causer un brouillage nuisible aux communications radio. Il n'y a cependant aucune garantie qu'un brouillage nuisible ne se produira pas dans une installation donnée. Si cet équipement cause un brouillage nuisible sur votre poste radio ou de télévision, ce que vous pouvez déterminer en éteignant et en rallumant votre équipement, il est conseillé à l'utilisateur d'essayer de pallier à ce brouillage nuisible en prenant l'une ou l'autre des mesures suivantes :

- Réorienter ou repositionner l'antenne de réception.
- Augmenter la distance entre l'équipement et le récepteur.
- Brancher l'équipement dans une prise d'un circuit qui diffère de celui auquel le récepteur est branché.
- Consulter le revendeur ou un technicien en radio-télévision pour obtenir de l'aide.

Étiquetage : Les modifications non explicitement approuvées par le fabricant peuvent annuler le droit de l'utilisateur de se servir de cet équipement.

Réponse à la demande (pour certains modèles)

Ce produit est doté d'une compatibilité Wi-Fi et nécessite une connexion Internet et un routeur sans fil pour permettre l'interconnexion avec un système de gestion d'énergie et/ou d'autres périphériques, systèmes ou applications extérieurs.

Qu'est-ce que la réponse à la demande?

Certains fournisseurs varient leurs tarifs d'électricité en fonction du moment de la journée. D'autres offrent des programmes de réponse à la demande afin de réduire la consommation d'énergie durant certaines périodes de la journée. Et certains peuvent offrir les deux types de service. Ce réfrigérateur est doté d'une fonction de réponse à la demande pour faciliter la gestion de la consommation d'énergie.

Utilisation de la réponse à la demande sans programme d'un fournisseur d'énergie

La fonction de réponse à la demande permet à l'utilisateur de déplacer les processus à haute consommation d'énergie (p.ex. le dégivrage) pour une période de 4 heures. Cette période correspond à la consommation moyenne d'énergie de pointe. La fonction de réponse à la demande est activée par l'application SmarthQ™ et nécessite cette dernière pour fonctionner. Cette fonction ne dépend pas du fournisseur local ni de sa capacité à varier ses tarifs d'électricité.

Réponse à la demande avec votre fournisseur d'énergie

Si votre fournisseur offre un programme de réponse à la demande compatible, ce réfrigérateur peut modifier sa consommation d'énergie en fonction des commandes reçues de ce fournisseur. On peut utiliser l'SmarthQ™ pour outrepasser le programme de réponse à la demande, le cas échéant. Veuillez noter qu'il existe différents programmes de réponse à la demande, plusieurs n'étant pas compatibles avec les électroménagers de cuisine. Veuillez vérifier auprès de votre fournisseur d'énergie local.

Le niveau de réponse à la demande est affiché sur l'application mobile. Le mode temporisation de la charge de l'électroménager (DAL - Delay appliance load mode) réduit la consommation d'énergie en reportant le dégivrage et la production de glace de 4 heures. La réduction temporaire de la charge de l'électroménager (TALR - Temporary appliance load reduction) réduit la consommation d'énergie en reportant le dégivrage, la production de glace et le refroidissement de 10 minutes.

La consommation d'énergie estimée en Watt-heure (Wh) est affichée dans l'application mobile.

Installation de la fonction de réponse à la demande

Installez l'SmarthQ™ d'après les instructions de la page précédente. Sélectionnez la page Demand Response (réponse à la demande) et choisissez les options disponibles pour ce service. L'application fournit plus de renseignements sur le fonctionnement de chaque option de la réponse à la demande.

Protocoles de communication de la réponse à la demande

Le réfrigérateur utilise les protocoles standards ouverts IETF suivants pour la communication Wi-Fi. Consultez le manuel de l'utilisateur pour les dernières mises à jour des protocoles :

- <https://mqtt.org/mqtt-specification/>
- <http://docs.oasis-open.org/mqtt/mqtt/v3.1.1/os/mqtt-v3.1.1-os.html>

API GEA pour la réponse à la demande :

- Écrire l'état de la réponse à la demande (Inactif, DAL, et TALR)
- Obtenir l'état de la réponse à la demande (Inactif, DAL, TALR ou Delay Defrost [dégivrage différé])
- Obtenir la consommation d'énergie estimée en watt-heure.
- Obtenir l'événement pour « Door Open » (porte ouverte).
- Obtenir l'événement pour « High temperature alert » (alerte haute température).
- Écrire l'heure de départ et la durée de la réponse à la demande (DAL ou TALR).
- Obtenir l'heure de départ et la durée de la réponse à la demande (DAL ou TALR).
- Supprimer l'horaire de la réponse à la demande (DAL ou TALR).

Cartouche XWFE du filtre

Cartouche de filtre à eau

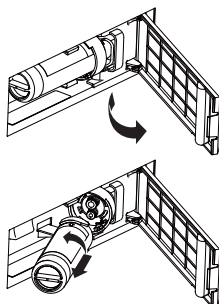
La cartouche de filtre à eau est située dans la porte réfrigérateur gauche derrière le panneau d'accès rectangulaire.

Quand remplacer la cartouche de filtre à eau

Le message **Replace Filter** (remplacer le filtre à eau) sur le panneau de commande va s'allumer lorsque la cartouche de filtre à eau devra être remplacée bientôt. Le message **Filter Expired** (filtre à eau périmé) sur le panneau de commande va s'allumer lorsque la cartouche de filtre à eau doit être remplacée à brève échéance. La cartouche de filtre à eau peut être remplacée plus tôt si le débit d'eau du distributeur ou de la machine à glaçons diminue.

RETRAIT DU FILTRE

Si vous remplacez le filtre, retirez d'abord le précédent en agrippant le filtre avec soin et le tournant lentement vers la gauche sur environ ¼ de tour. Le filtre va se libérer automatiquement une fois tourné suffisamment vers la gauche. Une petite quantité d'eau pourrait dégoutter.



ATTENTION

Si de l'air est emprisonné dans le système, la cartouche de filtre peut être éjectée lors de son retrait.

BOUCHON DE DÉRIVATION DU FILTRE

Pour réduire le risque de dommage à la propriété en raison de fuites d'eau, vous DEVEZ utiliser un bouchon de dérivation du filtre lorsqu'une cartouche filtrante de rechange n'est pas disponible. Certains modèles ne sont pas dotés d'un bouchon de dérivation du filtre. Pour obtenir une prise de dérivation, appelez au 1-800-692-6630 et demandez la prise de dérivation no WR17X33825. Au Canada, appelez au 1-800-561-3344. Le distributeur et la machine à glaçons ne fonctionneront pas sans que ne soient installés le filtre ou le bouchon de dérivation. Le bouchon de dérivation s'installe de la même manière que la cartouche de filtre.

AVERTISSEMENT

Pour réduire le risque d'étouffement pendant l'installation de ce produit, ne pas laisser les petites pièces à la portée des enfants âgés de moins de 3 ans. La cartouche de filtre jetable doit être remplacée tous les 6 mois, si sa capacité nominale est atteinte ou si une réduction notable du débit est observée.

Pour les meilleurs résultats de votre système de filtration, Café Appliances recommande l'utilisation de filtres de marque GE Appliances seulement. L'utilisation de filtres de marque GE Appliances dans les réfrigérateurs Café procure les meilleurs rendement et fiabilité. Les filtres GE Appliances satisfont aux rigoureuses normes NSF de l'industrie relatives à la sûreté et la qualité, facteur important pour les produits qui filtrent votre eau. Café Appliances n'a pas évalué le rendement des filtres d'autres marques dans les réfrigérateurs Café et il n'existe aucune assurance qu'ils satisferont les normes de qualité et de fiabilité Café.

Pour toute question ou pour commander des cartouches filtrantes de rechange, visitez notre site Web au electromenagersge.ca.

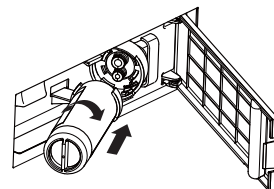
Les consommateurs du Canada doivent consulter les pages jaunes pour connaître le centre de service Camco le plus proche.

INSTALLATION DU FILTRE DANS UN RÉFRIGÉRATEUR À CONGÉLATEUR EN BAS

1. Ouvrez le logement de la cartouche de filtre en tirant pour ouvrir la porte.

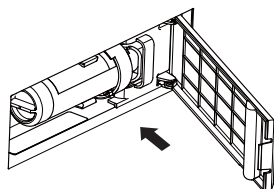
2. Alignez les points d'accès du filtre sur ceux porte-filtre puis insérez délicatement le filtre.

3. Tournez lentement le filtre vers la droite jusqu'à ce qu'il s'arrête. **NE PAS SERRER EXCESSIVEMENT.** Le filtre s'ajustera automatiquement à sa position à mesure que vous le tournez. Le filtre tournera d'environ ¼ de tour ou 90 degrés jusqu'à ce qu'il ne puisse plus tourner, étiquette orientée vers l'extérieur.



4. Poussez lentement le filtre dans les pinces.

5. Fermez le logement de la cartouche de filtre en poussant délicatement la porte jusqu'à ce que les languettes se verrouillent en place.



6. Vérifier que la condition d'anomalie du filtre n'est plus présente sur l'écran des commandes.

7. Immédiatement après le remplacement du filtre, laissez le pichet se remplir automatiquement et videz le pichet dans l'évier quatre fois. Cela permet de purger le nouveau filtre de la poussière de carbone noire normale qui est déchargée lors de l'utilisation initiale.

Conditions d'application/Paramètres d'alimentation d'eau

Débit de service	0,5 g/m (1,89 L/m)
Alimentation d'eau	Eau potable
Pression d'eau	25-120 psi (172-827 kPa)
Température de l'eau	33 °F-100 °F (0,6 °C-38 °C)
Capacité	170 gallons (643,5 litres)

Enregistrez-vous pour recevoir des RAPPELS TEXTUELS en textant REPLACE au 70543.

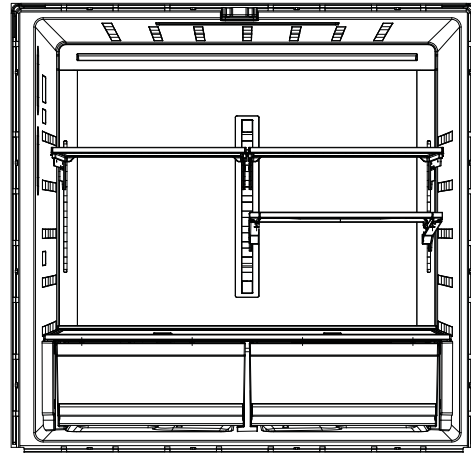
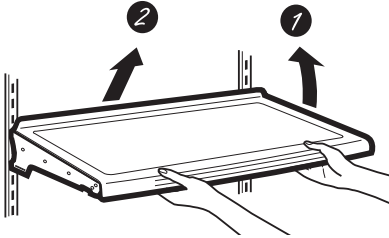
Options de stockage du réfrigérateur

Réorganisation des clayettes

Les clayettes du réfrigérateur sont réglables.

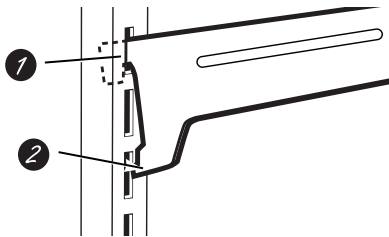
Pour les retirer :

- 1 Retirez tous les aliments de la clayette.
- 2 Soulevez l'avant de la clayette.
- 3 Soulevez l'arrière de la clayette et sortez-la du réfrigérateur.



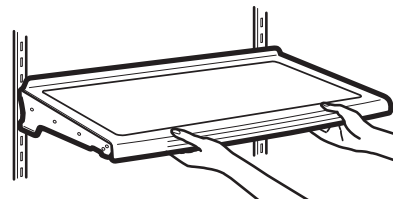
Pour le remettre en place :

- 1 Tout en inclinant la clayette, insérez le crochet supérieur à l'arrière de cette même clayette dans une fente du rail.
- 2 Abaissez l'avant de la clayette jusqu'à ce que le bas de celle-ci se positionne correctement.



Clayettes anti-déversement

Les clayettes anti-déversement ont des bords adaptés pour éviter que les déversements ne s'écoulent sur les clayettes inférieures.

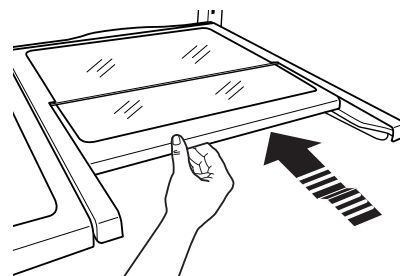


Clayette QuickSpace

Cette clayette se partage en deux avec une partie qui s'escamote sous l'autre pour permettre le stockage des articles de grande taille posés sur la clayette inférieure.

Cette clayette peut être retirée et remplacée ou déplacée (tout comme les clayettes anti-déversement).

REMARQUE : La partie arrière de la clayette QuickSpace n'est pas réglable.

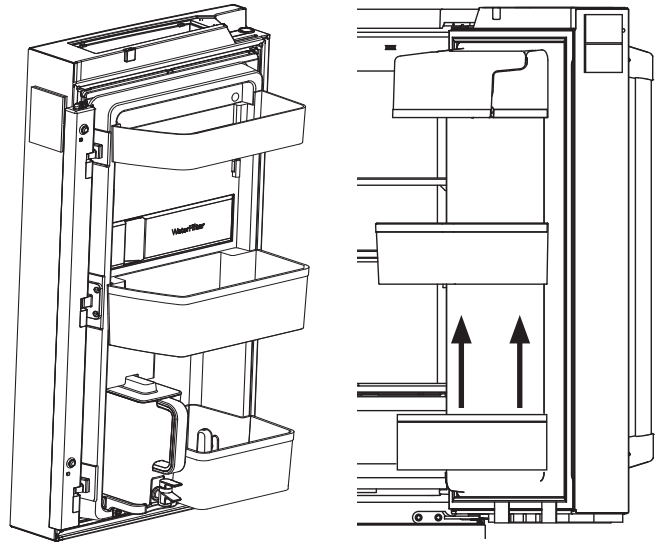


Options de stockage du réfrigérateur

Bacs de porte

Les bacs fixes peuvent aisément être transportés du réfrigérateur au plan de travail.

Pour les retirer : Tirez le bac vers le haut, puis retirez-le. Les balconnets ne sont pas interchangeables, notez leur position lors du retrait pour les replacer à la bonne place.

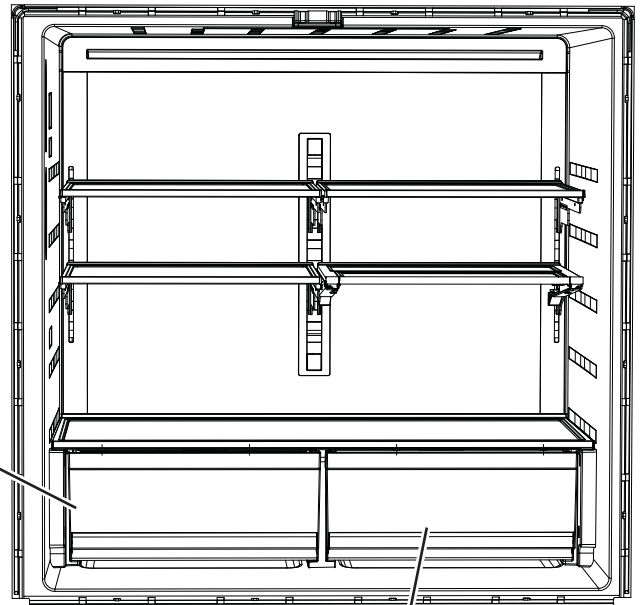


Bacs étanches et ventilés

Conservez les fruits et les légumes dans des compartiments séparés pour un accès facile.

Essuyez l'eau accumulée dans le fond ou en dessous des bacs.

Bac ventilé pour ranger les fruits et les légumes.



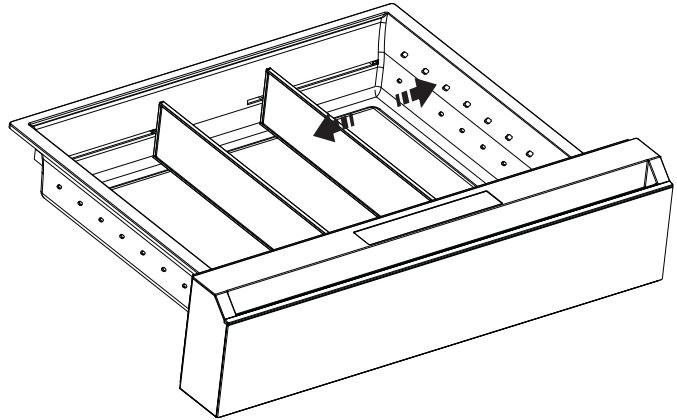
Bac étanche avec système de contrôle de l'humidité qui prolonge la conservation des légumes à feuilles en maintenant l'humidité dans le bac.

Options de stockage du réfrigérateur

TIROIR CONVERTIBLE – Modèle CGE

Comment placer les séparateurs de tiroir

Tenez le haut du séparateur et glissez celui-ci vers la gauche ou la droite.



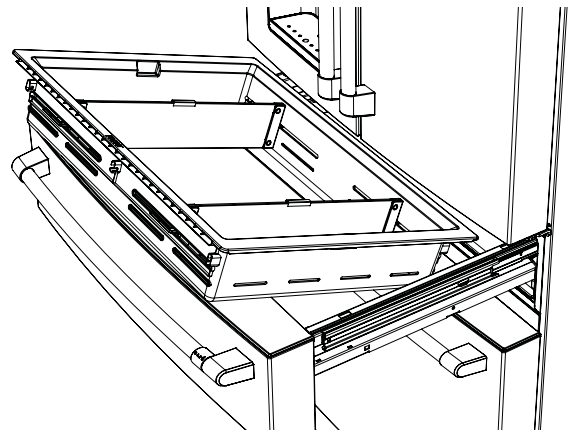
Comment retirer et replacer le tiroir

Pour retirer :

1. Tirez le tiroir vers l'extérieur jusqu'à la position d'arrêt.
2. Retirez le panier du tiroir convertible en le soulevant tout en faisant pivoter le panier vers le haut.

Pour replacer :

1. Remplacez d'abord l'arrière du tiroir et faites pivoter le devant pour le déposer sur les glissières.
2. Poussez le tiroir jusqu'à la position fermée.
Le panier de tiroir convertible sera lâche s'il est réinstallé à l'envers. Repérez le mot embossé « FRONT » (devant) pour faciliter la réinstallation.

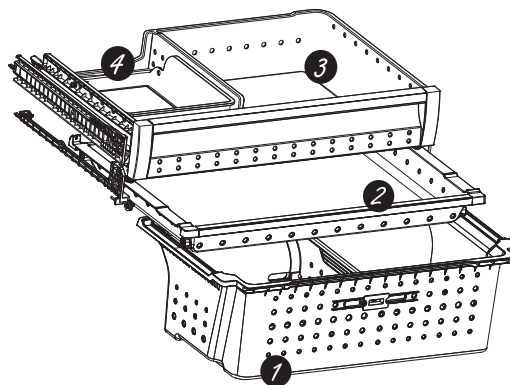


Options de stockage du réfrigérateur

PANIER, TIROIRS ET BACS – Modèle CGE

Panier et tiroir du congélateur

- ① Panier.
- ② Plateau à pizza
- ③ Tiroir
- ④ Bac à glaçons



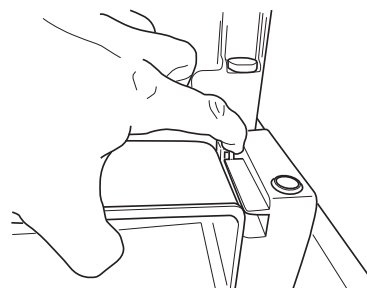
Bac à bascule dans le congélateur

Pour retirer :

Pressez la languette sur le support droit pour retirer le bac du tiroir du congélateur.

Pour replacer :

Glissez le bac à sa position jusqu'à ce qu'il se verrouille en place.



Retrait du panier

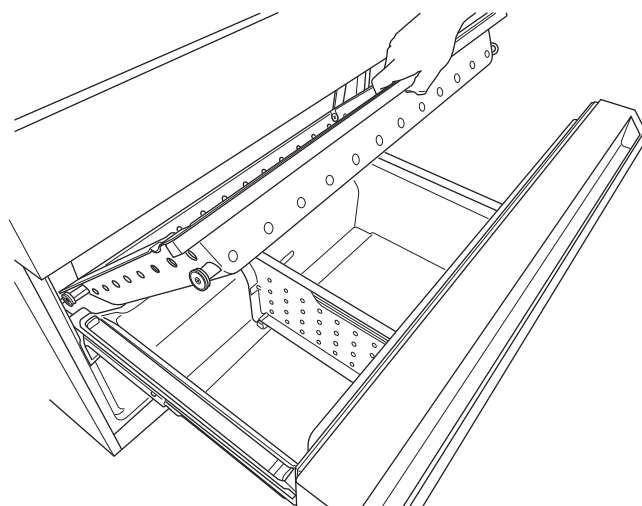
Pour retirer :

1. Tirez le panier du tiroir de congélateur supérieur vers l'avant jusqu'à ce qu'il sorte du rail du compartiment congélateur. Soulevez le panier tout en le faisant pivoter vers le haut pour le retirer.
2. Tirez le plateau à pizza jusqu'au bout vers l'extérieur et soulevez-le jusqu'à pouvoir le sortir.
3. Pressez la languette sur le support droit pour retirer le balconnet de congélateur.
4. Soulevez le panier du tiroir congélateur inférieur légèrement vers l'arrière, puis vers le haut et hors du tiroir.

Pour replacer :

1. Remplacez d'abord l'arrière du tiroir et faites pivoter le devant pour le déposer sur les glissières.

Le panier du tiroir inférieur du congélateur doit être en place avant d'installer le tiroir à pizza.



Machine à glaçons automatique

Il faut prévoir entre 12 et 24 heures avant qu'un réfrigérateur nouvellement installé commence à produire

⚠ AVERTISSEMENT

Raccordez l'appareil à une alimentation d'eau potable seulement. Une alimentation d'eau froide est requise pour faire fonctionner la machine à glaçons et le pichet à remplissage automatique. La pression d'eau doit se situer entre 40 et 120 psi. (275 à 827 kPa).

des glaçons.

Machine à glaçons automatique

La machine à glaçons produit sept glaçons par cycle - environ 100-130 cycles par 24 heures, selon la température du compartiment de congélation, la température de la pièce, le nombre d'ouverture de porte et les autres conditions d'utilisation.

La machine à glaçons se remplit d'eau lorsque sa température atteint 15°F (-10°C). Il faut prévoir entre 12 et 24 heures avant qu'un réfrigérateur nouvellement installé commence à produire des glaçons.

Si le réfrigérateur est mis en marche avant que la machine à glaçons ne soit raccordée à l'alimentation en eau ou si l'alimentation en eau du réfrigérateur est fermée, assurez-vous que la machine à glaçons est éteinte. Une fois l'eau raccordée au réfrigérateur, on peut mettre la machine à glaçons sous tension (On) à l'aide des contrôles.

Vous entendrez un bourdonnement à chaque fois que la machine à glaçons se remplit d'eau.

Allouez 1 à 2 jours pour que le bac se remplisse complètement de glaçons.

Jetez les premiers bacs de glaçons pour bien nettoyer le conduit d'eau.

Vérifiez que rien n'interfère avec le déplacement du bras de détection.

Quand le bac se remplit jusqu'au niveau du bras de détection, la machine à glaçons s'arrête de produire des glaçons. Il est normal de trouver des glaçons qui soient soudés ensemble.

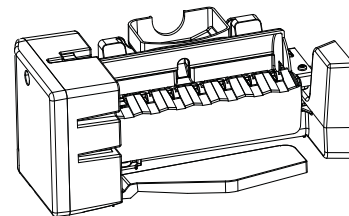
Si vous n'utilisez pas souvent vos glaçons, les vieux glaçons deviennent opaques, prennent un mauvais goût et rétrécissent.

REMARQUE : Dans les maisons qui ont une pression d'eau plus faible que la moyenne, vous entendrez peut-être la machine à glaçons recommencer plusieurs fois son cycle pour produire un lot de glaçons.

⚠ ATTENTION

Pour minimiser les risques de blessures, évitez le contact avec les pièces mobiles du mécanisme éjecteur, ou avec l'élément chauffant qui libère les glaçons. Ne posez pas les doigts ou les mains sur le mécanisme de la machine à glaçons automatique pendant que le réfrigérateur est branché.

Pour allumer ou éteindre la machine à glaçons, appuyez sur le bouton Ice Maker situé sur le panneau de commande supérieur.



Entretien et nettoyage

Nettoyage de l'extérieur

ACIER INOXYDABLE RÉSISTANT AUX EMPREINTES DIGITALES*, ACIER INOXYDABLE NOIR, ARDOISE, ARDOISE FONÇÉE, SURFACE PINTE, VERRE - Directives pour nettoyer les surfaces extérieures, les poignées de porte et les garnitures

⚠ N'utilisez PAS de nettoyants pour acier inoxydable sur les surfaces de porte. ⚠

IMPORTANT : L'utilisation de produits inappropriés peut endommager la fini extérieure de l'acier inoxydable résistant aux empreintes digitales et de l'acier inoxydable noir. Veuillez suivre ces instructions et utiliser seulement les articles appropriés ci-dessous pour nettoyer les surfaces de votre électroménager.

- Afin de prévenir leur détérioration, nettoyez les surfaces intérieure/extérieure avec de l'eau tiède, un savon ou un détergent doux, et un linge doux ou en microfibres.
- Afin de prévenir les rayures et les taches d'eau, séchez les surfaces de l'électroménager en les essuyant avec un chiffon doux propre ou un linge en microfibres.

UTILISER	NE PAS UTILISER	
Linge ou éponge doux et propres Chiffon en microfibres	Linges abrasifs, essuie-tout, éponges à récurer (avec ou sans savon), tampons à récurer ou en laine d'acier.	
Détergent doux dans eau chaude.	Poudres, liquides, ou vaporisateurs abrasifs. Vaporisateurs pour fenêtres, ammoniac ou javel Nettoyants à base d'agrumes ou de plantes. Nettoyants acides ou à base de vinaigre.	Nettoyants pour le four. Nettoyants alcalins Nettoyants pour acier inoxydable

*Nettoie facilement les taches et les empreintes de doigt.

ACIER INOXYDABLE - Directives pour nettoyer les surfaces extérieures, les poignées de porte et les garnitures

REMARQUE : Ne laissez PAS un nettoyant pour acier inoxydable venir au contact de pièces en plastique telles que garnitures, quincaillerie de poignée ou doublures. Si un contact non intentionnel d'un nettoyant avec une pièce en plastique survient, nettoyez la pièce en plastique avec une éponge et un détergent doux mélangé dans l'eau chaude.

UTILISER	NE PAS UTILISER
Linge ou éponge doux et propres	Linges abrasifs, éponges à récurer, tampons à récurer ou en laine d'acier.
Détergent doux dans eau chaude. Nettoyants pour acier inoxydable approuvés; visitez la boutique de pièces GE Appliances pour des nettoyants pour acier inoxydable approuvés : Electromenagersge.ca/fr/produits/filtres-et-accessoires ou appeler 800.661.1616 On peut utiliser des nettoyants à base d'acide oxalique tels que Bar Keepers Friend Soft Cleanser™ pour éliminer la rouille de surface, le ternissement et les petites taches sur les surfaces en acier inoxydable seulement.	Poudres ou vaporisateurs abrasifs. Vaporisateurs pour fenêtres ou ammoniac. Nettoyants à base d'agrumes ou de plantes. Nettoyants acides ou à base de vinaigre. Nettoyants pour le four. Nettoyants qui contiennent de l'acétone (propanone). Tout nettoyant avec AVERTISSEMENT relatif au contact du plastique.

Nettoyage de l'intérieur

Pour prévenir les odeurs, laissez ouverte une boîte de bicarbonate de soude dans les compartiments réfrigérateur et congélateur.

Débranchez l'appareil avant de le nettoyer.

S'il est trop difficile de débrancher l'appareil, essorez bien votre chiffon ou votre éponge pour enlever l'excès d'eau lorsque vous nettoyez autour des interrupteurs, des lampes ou des commandes. Utilisez une cire pour appareil ménager sur la surface intérieure entre les portes.

Utilisez une solution d'eau tiède et de bicarbonate de soude (environ une cuillère à soupe (15 ml) de bicarbonate de soude dans un litre d'eau) afin de nettoyer tout en neutralisant les odeurs. Rincez et séchez.

Pour nettoyer le panneau métallique intérieur*, ouvrez la porte extérieure à l'aide du verrou entre les portes extérieure

et intérieure. Nettoyez le panneau à l'aide d'un détergent doux puis essuyez avec un chiffon souple pour sécher. N'utilisez pas un nettoyant pour acier inoxydable sur le panneau car il pourrait endommager le plastique du pourtour.

⚠ ATTENTION Ne nettoyez pas les clayettes ou les couvercles en verre avec de l'eau tiède quand ceux-ci sont froids. Les clayettes et couvercles en verre peuvent se casser s'ils sont exposés à des changements soudains de température ou si vous les cognez ou les faites tomber. Le verre trempé est conçu pour se briser en petits morceaux en cas de casse.
Ne lavez aucune pièce en plastique du réfrigérateur au lave-vaisselle.

Entretien et nettoyage

Nettoyage de l'intérieur (suite)

Nettoyage du pichet à remplissage automatique

Le pichet et son couvercle vont au lave-vaisselle. Le couvercle doit être placé dans le panier supérieur seulement et le pichet dans le panier inférieur du lave-vaisselle. Exécutez un cycle de lavage normal.

Pour optimiser les performances de votre pichet à remplissage automatique, il est recommandé de rincer à fond après le lavage

afin d'éliminer tous les résidus de savon.

Si votre pichet a été en contact avec des aliments susceptibles de provoquer une décoloration (p. ex. ketchup, moutarde), nettoyez-le rapidement. Cela permet d'éviter toute décoloration éventuelle de votre pichet.

Si vous souhaitez commander un deuxième pichet à remplissage automatique, allez sur www.geapplianceparts.com.

Derrière le réfrigérateur

Soyez prudent lorsque vous éloignez votre réfrigérateur du mur. Tous les types de revêtements de sol peuvent être endommagés, en particulier les revêtements matelassés et ceux dont la surface est gaufrée.

Relevez les pieds de mise à niveau situés sur la partie inférieure avant du réfrigérateur.

Tirez le réfrigérateur en ligne droite et lorsque vous le remettez en place, poussez-le vers le mur en ligne droite. Les déplacements latéraux du réfrigérateur pourraient endommager le revêtement de sol ou le réfrigérateur.

Abaissez les pieds de mise à niveau jusqu'à ce qu'ils touchent le sol.

⚠ AVERTISSEMENT  **RISQUE DE CHOC**

ÉLECTRIQUE Lorsque vous remettez le réfrigérateur en place en le poussant, veillez à ne pas le faire rouler sur le cordon d'alimentation.

Arrêt et redémarrage du réfrigérateur pendant des périodes prolongées

Lors de vacances ou d'absences prolongées, retirez les aliments et débranchez le réfrigérateur. Nettoyez l'intérieur avec une solution d'une cuillère à table (15 ml) de bicarbonate de soude dans une pinte (1 litre) d'eau. Laissez les portes ouvertes.

Si la température risque de descendre sous le point de congélation, faites appel à un technicien qualifié pour vidanger le système d'alimentation d'eau afin de prévenir les dommages à la propriété causés par inondation.

1. Mettez le réfrigérateur hors tension (Off) (consultez le chapitre des CONTRÔLES à la page 7) ou débranchez-le.

2. Videz le bac à glaçons.

3. Coupez l'alimentation d'eau.

Si vous coupez l'alimentation d'eau, mettez la machine à glaçons hors tension (Off).

Au retour de vacances :

1. Remplacez le filtre à eau.

2. Jetez les premiers lots de glace pour permettre le nettoyage du tuyau d'eau.

Déménagement

Immobilisez toutes les pièces amovibles, telles que les clayettes et les bacs, à l'aide de ruban gommé pour éviter de les endommager.

Lorsque vous utilisez un diable pour déplacer le réfrigérateur, ne faites pas reposer le devant ou l'arrière du réfrigérateur contre le diable, sous peine d'endommager votre réfrigérateur.

Ne le manipulez que par les côtés.

Assurez-vous que le réfrigérateur reste en position verticale pendant son déménagement.

Remplacement des ampoules

Ampoules du réfrigérateur (DEL)

L'aspect peut varier selon le modèle.

Le compartiment de réfrigération est équipé d'un éclairage à DEL. De plus, le bas de la porte du compartiment réfrigérateur est également équipé de DEL pour éclairer le compartiment de congélation.*

Le remplacement des ampoules à DEL doit être effectué par un technicien autorisé.

Si cet assemblage doit être remplacé, visitez Electromenagersge.ca/fr/soutien/demande-de-service pour programmer une visite de service.

Instructions d'installation

Réfrigérateur

Des Questions ? consultez notre site internet Electromenagersge.ca

AVANT DE COMMENCER

Lisez ces instructions entièrement et attentivement.

- **IMPORTANT** — Respectez tous les codes et règlements en vigueur. Conservez ces instructions pour l'inspecteur local.
- Remarque pour l'Installateur – Assurez-vous de remettre ces instructions à l'utilisateur.
- Remarque pour l'utilisateur- Conservez ces instructions pour toute référence future.
- Niveau de compétence - L'installation de cet appareil demande des connaissances de base en mécanique.
- Délai d'exécution– Variable pour l'installation du réfrigérateur
30 minutes pour l'installation de l'alimentation en eau
- L'installateur est responsable de l'installation correcte de l'appareil.
- La panne de l'appareil due à une mauvaise installation n'est pas couverte par la garantie.

PRÉPARATION

DÉPLACEMENT DU RÉFRIGÉRATEUR À L'INTÉRIEUR DE LA MAISON

Si le réfrigérateur ne peut pas passer par la porte, vous pouvez enlever la portes du compartiment de réfrigération et le tiroir du compartiment de congélation.

- Pour enlever la portes du compartiment de réfrigération, consultez la section « Installation du réfrigérateur »
- Pour enlever la porte du compartiment de congélation, consultez la section « Retrait du tiroir de congélation ».

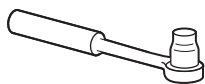
ALIMENTATION EN EAU DE LA MACHINE À GLAÇONS ET DU DISTRIBUTEUR

Si le réfrigérateur est équipé d'une machine à glaçons, il devra être branché à une alimentation en eau froide. Vous pouvez vous procurer une trousse GE Appliances de branchement à l'alimentation d'eau (contenant tuyau, robinet, raccords et instructions) auprès de votre fournisseur, en consultant notre site internet Electromenagersge.ca/fr/produits/filtres-et-accessoires.

OUTILLAGE DONT VOUS POUVEZ AVOIR BESOIN



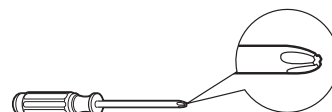
Clé à molette



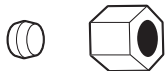
Tournevis à cliquet de 3/8 po



Clé hexagonale de type Allen de 1/8 po, 3/32 po, 1/4 po et de 5/32 po



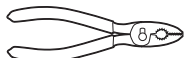
Tournevis cruciforme



Écrou à compression de diamètre externe d'1/4 po et d'une bague



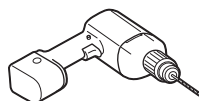
Crayon



Pincettes



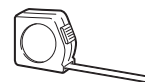
Niveau



Mèche de 1/8 po et Perceuse manuelle ou électrique



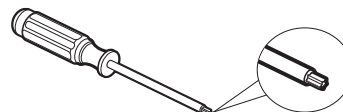
Tournevis à tête plate



Mètre



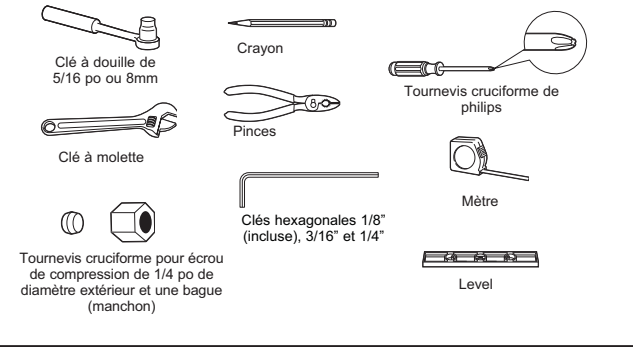
Tournevis à tête plate



Tournevis Torx T20, T25

Instructions d'installation

OUTILS DONT VOUS POURRIEZ AVOIR BESOIN



- En utilisant le tableau ci-dessous, déterminez si la largeur de votre passage peut tenir compte de la profondeur du réfrigérateur.
- Utilisez un chariot manuel rembourré ou des sangles de déplacement pour déplacer le réfrigérateur. Placez le réfrigérateur sur le chariot manuel avec un côté contre le camion.
- Nous recommandons vivement que deux personnes déplacent et terminent cette installation.
- Laissez le ruban, la pellicule et autre emballage sur le réfrigérateur jusqu'à sa destination finale.
- Reportez-vous aux sections 2 à 5 pour le retrait de la poignée, de la porte et du tiroir si nécessaire. Autrement, sautez à la section 6.
- Considérez les options de recyclage pour les matériaux d'emballage de votre appareil.

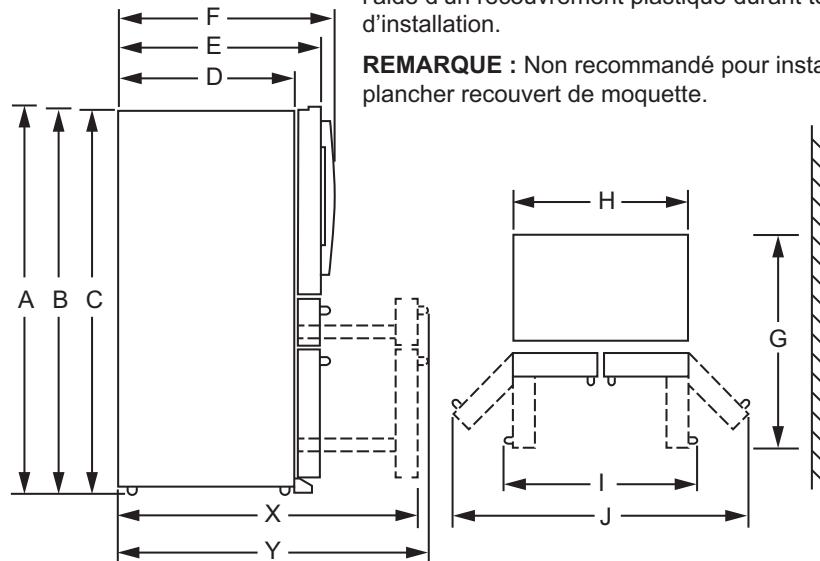
REMARQUE : On recommande de protéger le plancher à l'aide d'un recouvrement plastique durant toute la procédure d'installation.

REMARQUE : Non recommandé pour installation sur plancher recouvert de moquette.

DÉGAGEMENTS

Prévoyez les dégagements suivants pour faciliter l'installation, la circulation d'air et les raccordements hydrauliques et électriques.

- Côtés 1/8 po (3 mm)
- Dessus 1 po (25mm)
- Arrière 2 po (50 mm)



Dimensions de l'appareil pleine profondeur	Dimensions de l'appareil pleine profondeur avec porte en verre
A = 70" (1775mm)	A = 70" (1775mm)
B = 69-13/16" (1773mm)	B = 69-13/16" (1772mm)
C = 68-5/8" (1743mm)	C = 68-5/8" (1743mm)
D = 29-1/2" (749 mm)	D = 29-1/2" (749 mm)
E = 34-1/4" (870m)	E = 34.0" (864mm)
F = 36-1/2" (927mm)	F = 34.0" (864mm)
G = 48-3/8" (1229mm)	G = 48-3/8" (1229mm)
H = 35-5/8" (905mm)	H = 35-5/8" (905mm)
I = 44-3/8" (1127mm)	I = 39-1/2" (1003mm)
J = 60-3/8" (1534mm)	J = 59-1/4" (1505mm)
X = 53-17/32" (1360mm)	X = 53-9/32" (1353mm)
Y = 55-3/4" (1416mm)	Y = 53-9/32" (1353mm)

Instructions d'installation

DÉPLACEMENT DU RÉFRIGÉRATEUR

- En utilisant le tableau ci-dessous, déterminez si la largeur de votre couloir et embrasures de porte peuvent accommoder la profondeur du réfrigérateur. Assurez-vous d'avoir assez d'espace pour éviter d'endommager le réfrigérateur avant de le déplacer en toute sécurité vers son emplacement final.
- Si votre couloir et embrasures de porte sont assez large pour laisser passer le réfrigérateur sans enlever les poignées, passez directement à l'étape 6. Laisser les bandes adhésives, le film et tous les emballages sur les portes jusqu'à ce que le réfrigérateur soit dans sa position finale.
- **REMARQUE : Utilisez un diable rembourré ou des sangles de déménagement pour déplacer ce réfrigérateur. Placez le réfrigérateur sur le diable en appuyant un des côtés contre le diable. Il est fortement recommandé que DEUX PERSONNES déplacent le réfrigérateur et effectuent cette installation.**

Si votre ouverture est inférieure aux dimensions suivantes, retirez les pièces de la porte dans l'ordre indiqué jusqu'à ce que les dimensions soient inférieures à l'ouverture.

	CGE
Complètement assemblé	37-1/8" (943 mm)
Retirer les poignées	34-9/16" (878 mm)
Retirer les portes	32-1/4" (819 mm)
Retirer la charnière centrale	29-3/4" (755 mm)

Instructions d'installation

INSTALLATION DU RÉFRIGÉRATEUR

EMPLACEMENT DU RÉFRIGÉRATEUR

- N'installez pas le réfrigérateur dans une pièce où les températures descendent en-dessous de 60°F (16°C) parce qu'il serait difficile d'y maintenir une température correcte.
- N'installez pas le réfrigérateur dans un endroit où la température ambiante sera supérieure à 37°C, il ne fonctionnera pas correctement.
- N'installez pas le réfrigérateur dans un endroit exposé à l'eau (pluie, etc.) ou directement aux rayons solaires.
- Il doit être installé sur une surface suffisamment solide pour supporter le poids d'un réfrigérateur rempli.

DÉGAGEMENTS

Prévoyez les dégagements suivants pour faciliter l'installation, la circulation d'air et les raccordements hydrauliques et électriques.

Côtés	1/8 po (3 mm)
Dessus	1 po (25mm) corps du réfrigérateur/ cache de charnière
Arrière	2 po (50 mm)

RETRAIT DES PORTES DU RÉFRIGÉRATEUR

- **REMARQUE IMPORTANTE** : La profondeur de ce réfrigérateur est de 37-1/8 po (943 mm) (reportez-vous au tableau de la page précédente). Les portes et les passages qui mènent à l'emplacement d'installation doivent avoir une largeur d'au moins 37-1/8 po (943 mm) si vous souhaitez les portes et les poignées sur le réfrigérateur lors de son déplacement. Si la largeur des passages est inférieure à 37-1/8 po (943 mm), les portes et les poignées du réfrigérateur peuvent être facilement rayées et endommagées. Le cache supérieur et les portes peuvent être retirés pour permettre de déplacer le réfrigérateur à l'intérieur en toute sécurité. Si la largeur des passages est inférieure à 34-9/16 po (878 mm), commencez par l'étape 1.
- S'il n'est pas nécessaire de retirer les portes, passez directement à l'étape 11. Laissez les bandes adhésives et tous les emballages sur les portes jusqu'à ce que le réfrigérateur soit dans sa position finale.
- **REMARQUE** : Utilisez un diable rembourré pour déplacer ce réfrigérateur. Placez le réfrigérateur sur le diable en appuyant un des côtés contre le diable. Il est fortement recommandé que DEUX PERSONNES déplacent le réfrigérateur et effectuent cette installation.

1 INSTALLATION DE LA POIGNÉE DU RÉFRIGÉRATEUR ET DU CONGÉLATEUR (sur certains modèles)

Avant de commencer...

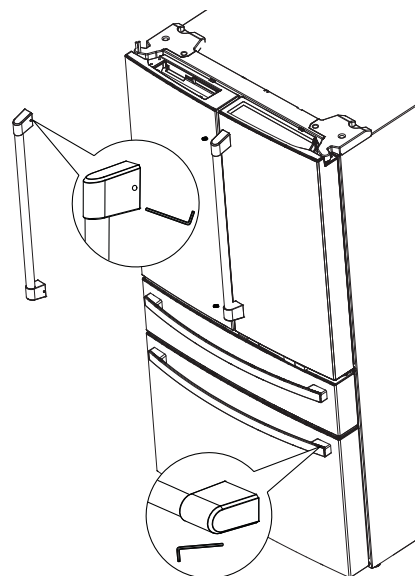
- Pour éviter les blessures, portez des chaussures fermées lors de l'installation des poignées.
- Lors de l'installation, saisissez la poignée fermement pour vous assurer qu'elle ne tombe pas et ne raye pas la finition de l'appareil.
- **IMPORTANT**: Pour vous assurer que les poignées seront correctement installées, veuillez lire les instructions et examiner les illustrations attentivement avant de commencer l'installation.
- **IMPORTANT**: N'utilisez pas d'outils électriques pour serrer les vis de pression.

Outils fournis:

- Clé hexagonale 1/8 po

L'apparence de la poignée peut varier en fonction du modèle; cependant, la procédure d'installation est la même.

1. Retirez toute pellicule protectrice de la porte ou du devant des tiroirs avant d'installer les poignées (s'il y a lieu).
2. Retirez la poignée de l'emballage et repérez la clé hexagonale 1/8" fournie.
3. Placez la poignée sur les fixations de montage jusqu'à ce qu'elle affleure la surface de la porte.
4. Serrez les deux vis de pression dans les capuchons d'extrémité de la poignée en tournant la clé hexagonale de 1/8" dans le sens des aiguilles d'une montre jusqu'à ce que la poignée ne branle pas ou ne tombe pas de son support. Ne serrez pas complètement pour le moment.
5. **IMPORTANT**: Maintenez fermement la poignée contre la porte, assurez-vous qu'il n'y a pas d'espace entre les capuchons d'extrémité de la poignée et la porte, et serrez complètement les vis de pression.



Pour retirer les poignées, inversez la procédure d'installation.

Instructions d'installation

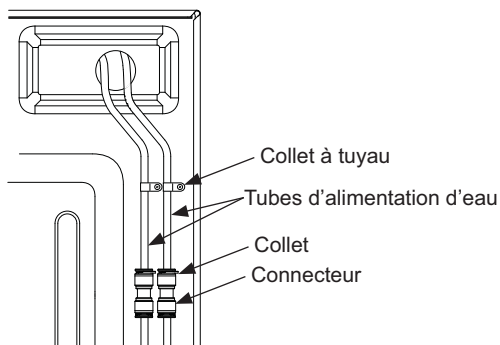
INSTALLATION DU RÉFRIGÉRATEUR (suite)

2 RETIRER LA PORTE GAUCHE

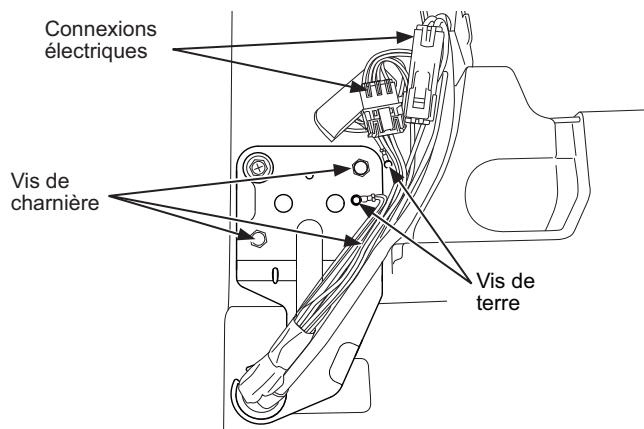
⚠ AVERTISSEMENT

Suivez toutes les étapes pour enlever et réinstaller la porte. La porte risque de tomber en plus de causer des blessures ou des dommages si vous ne respectez pas ces instructions, oubliez des pièces ou effectuez un serrage excessif des vis.

1. Retirez les deux tubes d'eau des connecteurs situés à l'arrière de la carrosserie.



- Desserrez et retirez le ou les colliers de serrage qui maintiennent le tube d'alimentation d'eau à l'arrière du réfrigérateur.
 - Retirez le collet noir du connecteur du tube d'alimentation d'eau à l'arrière droite supérieure du réfrigérateur.
 - Pressez la collerette blanche vers le bas et séparez la conduite d'alimentation d'eau du connecteur.
2. Enlevez le couvercle de charnière gauche en retirant 2 vis du couvercle à l'aide d'un tournevis cruciforme, puis soulevez depuis le côté gauche. Débranchez les connecteurs électriques et tirez le tube d'alimentation d'eau de la machine à glaçons à travers la carrosserie.



3. Fixez fermement la porte en position fermée avec du ruban cache ou demandez à une autre personne de supporter la porte.
4. Retirez les vis qui fixent la charnière à l'aide d'une douille 5/16 po. Levez la charnière pour la dégager du réfrigérateur et de la porte.

2 RETIRER LA PORTE GAUCHE (suite)

Pour une installation correcte plus tard, veuillez suivre les étapes suivantes attentivement :

- Retirez le ruban en gardant la porte aussi droite que possible, puis soulevez-la pour l'enlever.

⚠ ATTENTION

Risques lors du levage

Un levage avec une seule personne peut provoquer des blessures. Utilisez de l'aide lors de la manipulation, le déplacement ou le levage des portes du réfrigérateur.

3 RETIRER LA PORTE DROITE

- Retirez le couvercle de charnière droit.
- Fixez fermement la porte en position fermée avec du ruban cache ou demandez à une autre personne de supporter la porte.
- Retirez les vis qui fixent la charnière à l'aide d'une douille 5/16 po. Levez la charnière pour la dégager du réfrigérateur et de la porte.

Pour une installation correcte plus tard, veuillez suivre les étapes suivantes attentivement :

- Retirez le ruban en gardant la porte aussi droite que possible, puis soulevez-la pour l'enlever.

⚠ ATTENTION

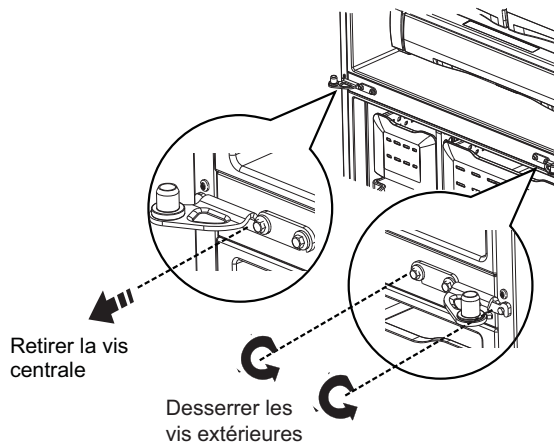
Risques lors du levage

Un levage avec une seule personne peut provoquer des blessures. Utilisez de l'aide lors de la manipulation, le déplacement ou le levage des portes du réfrigérateur.

Pour remonter les portes, inversez les étapes du retrait.

4 RETIRER LA CHARNIÈRE CENTRALE (si nécessaire)

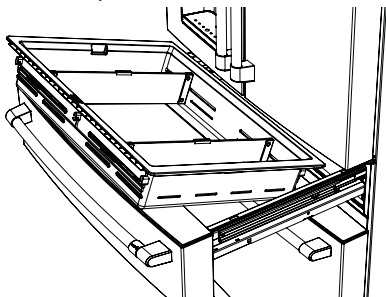
Retirez les vis pour fixer la charnière sur la carrosserie. Les vis intérieures nécessitent une douille 5/16 po. Les vis extérieures nécessitent une vis Phillips no 2.



INSTALLATION DU RÉFRIGÉRATEUR (suite)

5 RETRAIT DU TIROIR CONVERTIBLE (sur certains modèles)

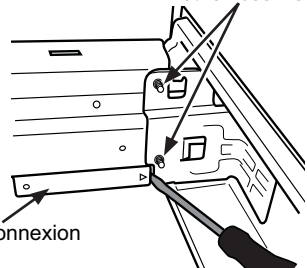
1. Retirez le panier du tiroir convertible en soulevant puis faisant pivoter le panier vers le haut.



2. Débranchez la connexion de contrôle du câblage pour le tiroir convertible.

- À l'aide d'un tournevis à tête étoilée, retirez le couvercle au-dessus des connecteurs électriques sur l'intérieur droit du cadre du tiroir. Les crochets de couvercle à travers le cadre de tiroir vers l'intérieur du

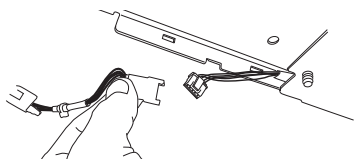
Retirez ces vis



Couvercle de la connexion de la commande

réfrigérateur.

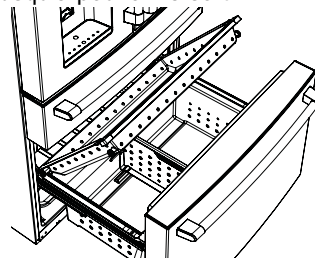
- Pressez la languette au centre du connecteur pour séparer.



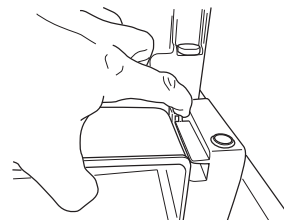
3. Retirez 2 vis de chaque côté du cadre à l'aide d'une douille 5/16 po.
4. Retirez la porte en la soulevant pour la dégager des crochets

6 RETRAIT DU BAC À PIZZA ET DU PANIER DE CONGÉLATEUR INFÉRIEUR (sur certains modèles)

1. Poussez le panier du tiroir de congélateur supérieur jusqu'au bout à l'intérieur du compartiment congélateur.
2. Tirez le plateau à pizza jusqu'au bout vers l'extérieur et soulevez-le jusqu'à pouvoir le sortir.



3. Pressez la languette sur le support droit pour retirer le bac du tiroir du congélateur.



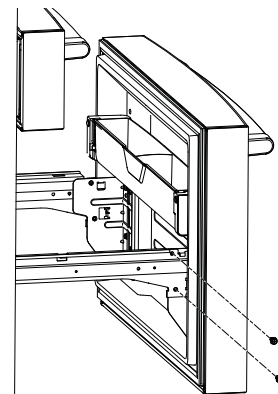
4. Soulevez le panier du tiroir congélateur inférieur légèrement vers l'arrière, puis vers le haut et hors du tiroir.
5. Tirez le panier inférieur et glissez le mécanisme coulissant à sa pleine extension à l'aide des deux mains.
6. Retirez le panier qui repose sur les glissières.

7 RETRAIT DE LA PORTE DU CONGÉLATEUR (sur certains modèles)

1. Tirez sur la porte du congélateur jusqu'à ce qu'elle soit complètement ouverte.
2. Retirez deux vis de chaque côté du cadre à l'aide d'une douille 5/16 po.

ATTENTION

Risque lors du levage de charge
La porte du congélateur est lourde. Utilisez les deux mains pour maintenir la porte avant de la soulever.

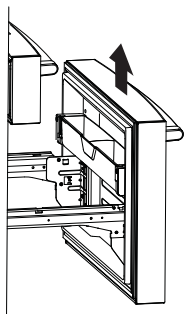


Instructions d'installation

INSTALLATION DU RÉFRIGÉRATEUR (suite)

7 RETRAIT DE LA PORTE DU CONGÉLATEUR (sur certains modèles) (suite)

- Retirez la porte en la soulevant pour la dégager des crochets.



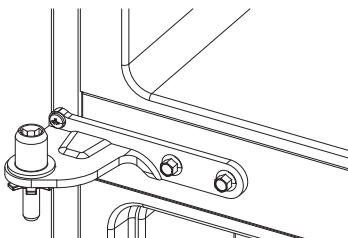
- Poussez les glissières du panier inférieur vers l'arrière jusqu'à ce que le mécanisme coulissant se rétracte de lui-même.

8 RETIRER LA PORTE INFÉRIURE GAUCHE (sur certains modèles)

⚠ AVERTISSEMENT

Suivez toutes les étapes pour retirer et réinstaller la porte. L'omission de suivre ces instructions, de ne pas utiliser toutes les pièces, ou le serrage excessif des vis, peuvent causer la chute de la porte et occasionner des blessures ou des dommages à la propriété.

- Fixez fermement la porte en position fermée avec du ruban cache ou demandez à une autre personne de supporter la porte.
- Retirez la charnière centrale à l'aide d'une douille 5/16



po et d'un tournevis cruciforme.

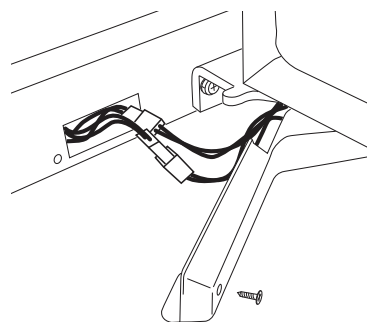
- Retirez le ruban en gardant la porte aussi droite que possible, puis soulevez-la pour l'enlever.

⚠ ATTENTION

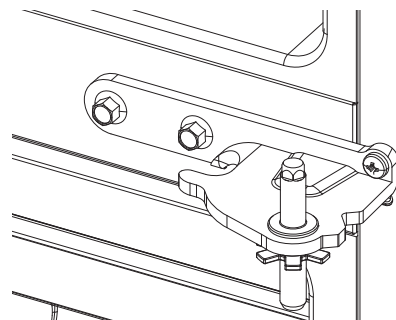
Risques lors du levage
Un levage avec une seule personne peut provoquer des blessures. Utilisez de l'aide lors de la manipulation, le déplacement ou le levage des portes du réfrigérateur.

9 RETIRER LA PORTE INFÉRIURE DROITE (sur certains modèles)

- Ouvrez la porte inférieure droite à 90°.
- Retirez le couvercle de charnière inférieure en retirant la vis cruciforme et détachant le couvercle de la charnière.



- Débranchez 2 faisceaux de fils.
- Fixez fermement la porte en position fermée avec du ruban cache ou demandez à une autre personne de supporter la porte.
- Retirez la charnière centrale à l'aide d'une douille 5/16 po et d'un tournevis cruciforme.



- Retirez le ruban en gardant la porte aussi droite que possible, puis soulevez-la pour l'enlever.

⚠ ATTENTION Risque relié au soulèvement

La porte du congélateur est lourde. Soulevez prudemment la porte avec vos deux mains.

- Tirez et déployez complètement le mécanisme à glissière du panier inférieur avec les deux mains.
- Soulevez la porte du congélateur et alignez les crochets avec les encoches des mécanismes à glissière. **REMARQUE** : Placez d'abord un côté puis alignez l'autre côté.
- Réinstallez les vis de fixation et serrez-les à un couple de 7,34 Nm (65 po-lb).

Pour réassembler les portes, effectuez les étapes de retrait à l'inverse. Assurez-vous que les fils passent dans la charnière inférieure droite.

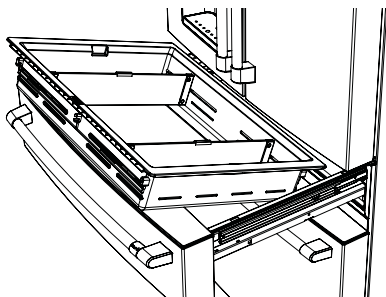
INSTALLATION DU RÉFRIGÉRATEUR (suite)

10 RETRAIT DE LA CHARNIÈRE INFÉRIEURE (si nécessaire) (sur certains modèles)

Retirez les vis fixant la charnière à la carrosserie. Les vis internes nécessitent une douille de 5/16 po. Les vis extérieures nécessitent un tournevis à tête cruciforme no 2.

11 RÉINSTALLATION DU TIROIR CONVERTIBLE

Pour remonter les portes, inversez les étapes de retrait. Le panier de tiroir convertible sera lâche s'il est réinstallé à l'envers. Repérez le mot embossé « FRONT » (devant) pour faciliter la réinstallation.



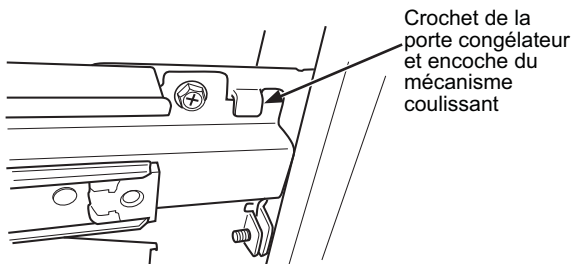
12 REINSTALLATION DE LA PORTE DU CONGÉLATEUR

ATTENTION Risque lors du levage de charge

La porte du congélateur est lourde. Utilisez les deux mains pour maintenir la porte avant de la soulever.

1. Tirez le mécanisme coulissant du panier inférieur à sa pleine extension à l'aide des deux mains.
2. Soulevez la porte congélateur et alignez les crochets sur les encoches du mécanisme coulissant.

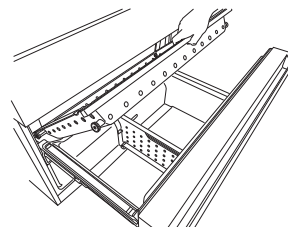
REMARQUE : Placez un côté d'abord, puis alignez l'autre côté.



3. Réinstallez les vis de fixation et vissez-les au couple de 65 lb-po (7,34 N m).

13 RÉINSTALLATION DU BAC À PIZZA ET DU PANIER DE CONGÉLATEUR INFÉRIEUR

1. Réinstallez d'abord le panier de congélateur inférieur, puis le tiroir à pizza.



2. Vérifiez le fonctionnement en douceur des paniers.
3. Réinstallez le tiroir de congélateur en plaçant les roulettes du tiroir sur le dessus du chemin de roulement monté sur le côté des parois du congélateur. Les roulettes du tiroir de congélateur doivent se trouver sur le dessus des côtés du panier inférieur.

14 RÉINSTALLATION DES PORTES INFÉRIEURES GAUCHE ET DROITE (sur certains modèles)

AVERTISSEMENT

Suivez toutes les étapes pour retirer et réinstaller la porte. L'omission de suivre ces instructions, de ne pas utiliser toutes les pièces, ou le serrage excessif des vis, peuvent causer la chute de la porte et occasionner des blessures ou des dommages à la propriété.

ATTENTION

Risques lors du levage
Un levage avec une seule personne peut provoquer des blessures. Utilisez de l'aide lors de la manipulation, le déplacement ou le levage des portes du réfrigérateur.

1. Réinstallez d'abord les charnières inférieures (si nécessaire) et serrez les vis de 5/16 po à un couple de 7,35 Nm (65 po-lb) et les petites vis à un couple de 2,82 Nm (25 po-lb). Tournez la vis sur 1/3 de tour dès qu'elle est à niveau avec la surface mate pour atteindre les couples de serrage.
2. En plaçant la porte à un angle de 90° devant la carrosserie, abaissez la porte du réfrigérateur sur la charnière inférieure en tirant prudemment le faisceau de fils par la charnière droite. Fermez la porte et maintenez la fermer avec du ruban.
3. Réinstallez la charnière centrale en effectuant l'étape 1 ci-dessus.
4. Retirez le ruban.
5. Ouvrez la porte inférieure droite à un angle de 90°.
6. Raccordez les deux faisceaux de fils.
7. Réinstallez les couvercles sur les deux charnières inférieures (si nécessaire).

Instructions d'installation

INSTALLATION DU RÉFRIGÉRATEUR (suite)

15 RÉINSTALLATION DES POIGNÉES SUPÉRIEURES GAUCHE ET DROITE

⚠ AVERTISSEMENT

Suivez toutes les étapes pour retirer et réinstaller la porte. L'omission de suivre ces instructions, de ne pas utiliser toutes les pièces, ou le serrage excessif des vis, peuvent causer la chute de la porte et occasionner des blessures ou des dommages à la propriété.

⚠ ATTENTION

Risques lors du levage

Un levage avec une seule personne peut provoquer des blessures. Utilisez de l'aide lors de la manipulation, le déplacement ou le levage des portes du réfrigérateur.

1. Réinstallez d'abord la charnière centrale et serrez la vis de ¼ de po à un couple de 7,34 Nm (65 po-lb) et la petite vis à un couple de 2,82 Nm (25 po-lb). Tournez la vis sur 1/3 de tour jusqu'à ce qu'elle soit à niveau avec la surface mate pour atteindre ces couples.

2. Abaissez la porte du réfrigérateur sur la charnière centrale.
3. Fermez la porte et apposez du ruban pour la garder fermer ou faites appel à une autre personne pour soutenir la porte..
4. Réinstallez en suivant les instructions de retrait à l'inverse.
5. Assurez-vous de réinstaller le fil de mise à la terre et le protecteur de cordon à la charnière supérieure.
6. Réinstallez le capuchon de charnière. **REMARQUE** : Assurez-vous que les fils ne sont pas coincés ou sous le bossage de la vis avant de serrer les vis

16 RACCORDEMENT DU RÉFRIGÉRATEUR À LA CONDUITE D'EAU DE LA MAISON

Une alimentation d'eau froide est requise pour faire fonctionner la machine à glaçons automatique. Vous devrez en fournir une si elle n'existe pas. Consultez la section « Installation de l'alimentation en eau ».

REMARQUES :

- Avant de raccorder la conduite d'eau au réfrigérateur, assurez-vous que le cordon d'alimentation électrique du réfrigérateur n'est pas branché à la prise murale.
- Si votre réfrigérateur n'est pas équipé de filtre à eau, nous recommandons d'en monter un si votre alimentation d'eau contient du sable ou des particules qui peuvent boucher la grille du robinet d'eau du réfrigérateur. Installez le dans la conduite d'alimentation d'eau froide près du réfrigérateur. Si vous utilisez une trousse SmartConnect™ Refrigerator Tubing, vous aurez besoin d'un tuyau supplémentaire (WX08X10002) pour brancher le filtre. Ne coupez pas le tuyau en plastique pour installer le filtre.
- Avant de raccorder la conduite d'eau à la maison, purgez la ligne de la maison pendant au moins 2 minutes.

1. Si vous utilisez un tuyau de cuivre, placez un écrou de compression et une bague (manchon) à l'extrémité du tuyau qui vient de l'alimentation d'eau froide de la maison.
Si vous utilisez le tuyau SmartConnect™, les écrous sont déjà assemblés au tuyau.

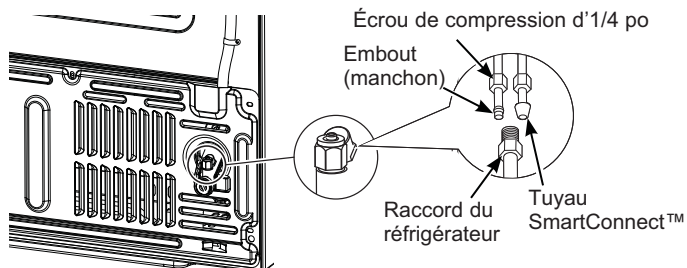
2. Si vous utilisez un tuyau de cuivre, insérez aussi loin que possible l'extrémité du tuyau dans le raccord à l'arrière du réfrigérateur. Tout en tenant le tuyau, serrez le raccord.

Si vous utilisez un tuyau SmartConnect™, insérez l'extrémité moulée du tuyau dans le raccord à l'arrière du réfrigérateur, puis serrez l'écrou à compression à la main. Serrez ensuite d'un autre tour à l'aide d'une clé. Des fuites peuvent survenir si l'écrou est trop serré.

3. Fixez le tuyau dans le collier de serrage fourni pour le maintenir en position. Vous aurez peut être besoin d'écarter la bride.

⚠ AVERTISSEMENT

Raccordez-vous à une alimentation en eau potable seulement. Une alimentation en eau potable est requise pour le fonctionnement de la machine à glaçons. La pression d'eau doit se situer entre 40 et 120 psi (275 à 827 kilopascals).



⚠ AVERTISSEMENT



RISQUE DE DÉCHARGE

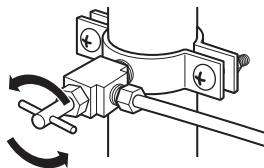
ÉLECTRIQUE Fixez le collier de serrage dans le trou présent seulement. NE PERCEZ PAS dans le réfrigérateur.

Instructions d'installation

INSTALLATION DU RÉFRIGÉRATEUR (suite)

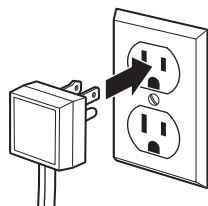
17 OUVRIR L'ALIMENTATION EN EAU

Ouvrez l'alimentation d'eau au niveau du robinet d'arrêt (alimentation en eau de la maison) et vérifiez qu'il n'y a pas de fuite.



18 BRANCHEMENT DU CORDON D'ALIMENTATION DU RÉFRIGÉRATEUR

Veillez lire les informations de mise à la terre fixées au cordon d'alimentation.

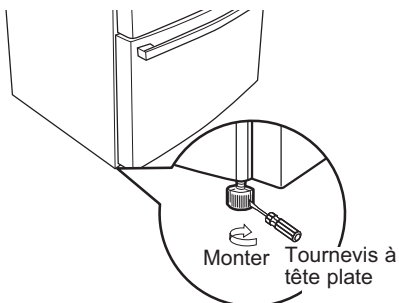


19 MISE À NIVEAU DU RÉFRIGÉRATEUR

Les pieds de mise à niveau servent :

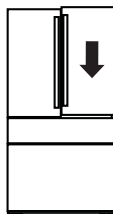
1. à ajuster le réfrigérateur pour que celui-ci soit correctement positionné sur le sol et ne vacille pas
 2. de frein pour stabiliser le réfrigérateur pendant son utilisation et son nettoyage. Les pieds de mise à niveau permettent aussi d'empêcher le réfrigérateur de basculer.
- Tournez les pieds de mise à niveau dans le sens des aiguilles d'une montre pour relever le réfrigérateur et dans le sens inverse des aiguilles d'une montre pour l'abaisser.

REMARQUE : Pour éviter tout dommage matériel, les pieds de mise à niveau doivent bien reposer sur le sol.

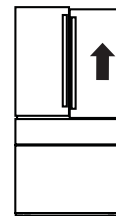


20 MISE À NIVEAU DES PORTES DU RÉFRIGÉRATEUR

Rappelez-vous qu'il est nécessaire que le réfrigérateur soit de niveau pour que les portes soient parfaitement de niveau. Si vous avez besoin d'aide, consultez la section précédente sur la mise à niveau du réfrigérateur.



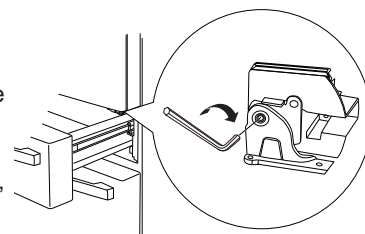
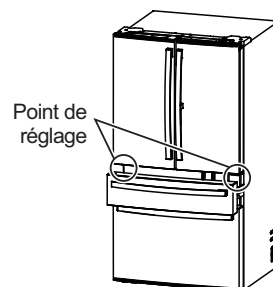
Lorsque la porte de gauche est plus basse que la porte de droite.



Lorsque la porte de gauche est plus haute que la porte de droite.

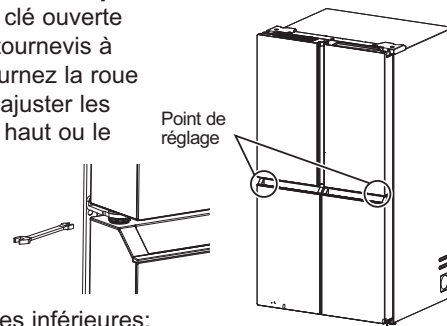
Pour les modèles à deux tiroirs :

1. Accédez aux vis de charnière en ouvrant le tiroir convertible.
2. Insérez une clé Allen d'1/4 po dans l'axe de la charnière centrale.
3. Ajustez la hauteur en tournant dans le sens des aiguilles d'une montre ou dans le sens inverse des aiguilles d'une montre. Lorsque vous tournez dans le sens inverse des aiguilles d'une montre, la porte se déplace vers le haut.



Pour les modèles à 4 portes

- À l'aide d'une clé ouverte 1/4 po ou un tournevis à lame plate, tournez la roue à fentes pour ajuster les portes vers le haut ou le bas.



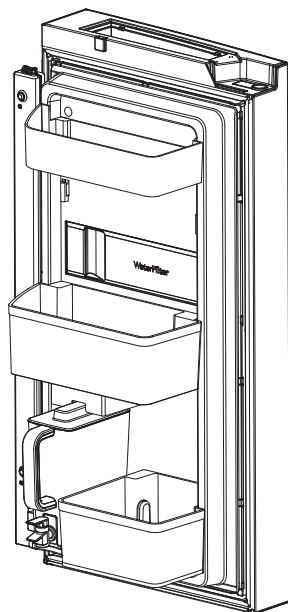
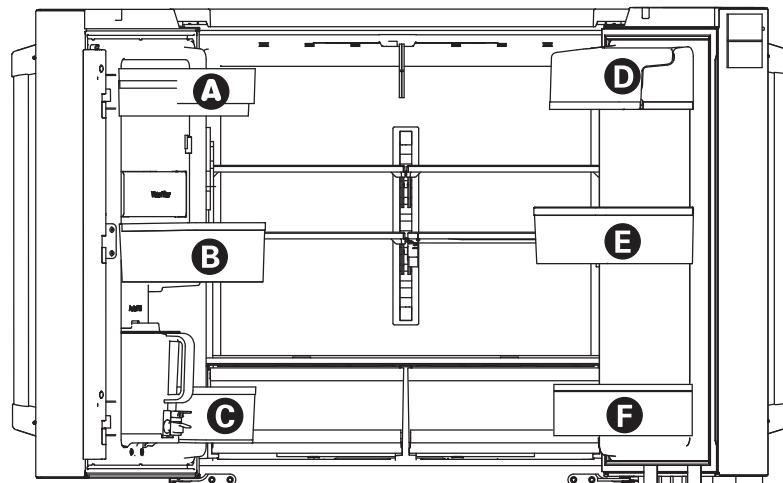
Pour ajuster la hauteur des portes inférieures :

- Retirez les couvercles des charnières gauche et droite à l'aide d'un tournevis cruciforme, puis utilisez une clé ouverte 9/16 po pour ajuster les portes vers le haut ou le bas.

Instructions d'installation

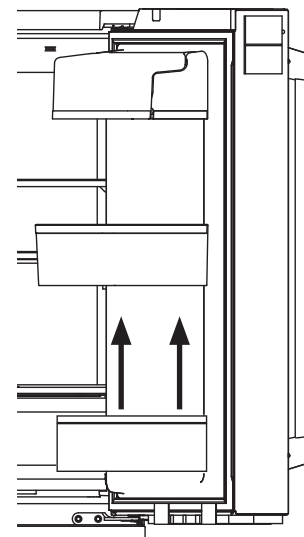
INSTALLATION DU RÉFRIGÉRATEUR (suite)

Modèles CGE



Pour placer les bacs (balconnets) dans les portes :

- 1 Faites correspondre le bac avec la lettre indiquée. Placez les bacs au-dessus du repère de bac et poussez vers l'avant jusqu'à insertion complète.
- 2 Poussez le bac vers le bas jusqu'à ce qu'il soit verrouillé en place.



Instructions d'installation

INSTALLATION DE LA CONDUITE D'EAU

AVANT DE COMMENCER

Nous recommandons les trousse d'alimentation d'eau en cuivre WX8X2, WX8X3, WX8X4, selon la longueur de tuyau dont vous avez besoin. Nous approuvons les conduites d'eau en matière plastique SmartConnect™ Refrigerator Tubing (WX08X10006, WX08X10015 et WX08X10025).

Si vous installez un système d'eau à osmose inverse GE Appliances dans votre réfrigérateur, la trousse GE Appliances RVKIT est la seule installation approuvée. Pour les autres systèmes à osmose inverse, suivez les recommandations du fabricant.

Si l'alimentation d'eau du réfrigérateur provient d'un système de filtration de l'eau par osmose inverse (OI) ET si votre réfrigérateur est équipé d'un filtre à eau, utilisez le bouchon de dérivation du filtre du réfrigérateur. En cas d'utilisation de la cartouche de filtration d'eau du réfrigérateur associée à un filtre à OI peut produire des glaçons creux. Certains modèles ne sont pas équipés d'un bouchon de dérivation de filtre. Pour obtenir une prise de dérivation, appelez au 1-800-692-6630 et demandez la prise de dérivation no WR17X33825. Au Canada, appelez au 1-800-561-3344.

L'installation de cette conduite d'eau n'est pas garantie par le fabricant du réfrigérateur ou de la machine à glaçons. Suivez attentivement ces instructions afin de minimiser le risque de fuite d'eau et de dommages onéreux.

Les coups de bélier (coups dans les tuyaux) dans la tuyauterie de la maison peuvent endommager les pièces de votre réfrigérateur et provoquer des fuites d'eau ou des inondations. Appelez un plombier certifié pour corriger les coups de bélier avant de brancher l'alimentation en eau au réfrigérateur.

Pour prévenir les brûlures et éviter d'endommager votre produit, ne branchez pas le tuyau d'eau à une conduite d'eau chaude.

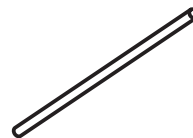
Si le réfrigérateur est mis en marche avant le raccordement de l'alimentation d'eau à la machine à glaçons, voir la section Commandes de la page 7 pour la désactivation de la machine à glaçons.

Ne pas installer la tubulure de la machine à glaçons à des endroits où la température baisse sous le point de congélation.

Lors de l'utilisation d'un appareil électrique (tel qu'une perceuse) durant l'installation, s'assurer que celui-ci est doublement isolé et qu'il est mis à la terre de façon à prévenir les chocs électriques, ou qu'il est alimenté par batterie.

Toutes les installations doivent être conformes aux codes de plomberie locaux.

PIÈCES NÉCESSAIRES



- Tuyaux en cuivre ou trousse SmartConnect™ Refrigerator Tubing, diamètre extérieur d'1/4 po pour brancher le réfrigérateur à l'alimentation d'eau. Si vous utilisez un tuyau en cuivre, les deux extrémités du tuyau doivent être coupées bien droit.

Pour déterminer la longueur de tuyau dont vous avez besoin : mesurez la distance entre le robinet d'eau à l'arrière du réfrigérateur et le tuyau d'alimentation en eau. Assurez-vous d'avoir une longueur de tuyau suffisante pour permettre d'éloigner le réfrigérateur du mur après l'installation.

Les trousse de tuyauterie pour réfrigérateur SmartConnect™ sont disponibles dans les longueurs suivantes :

8 pi (2,4 m) - WX08X10006

15 pi (4,6 m) - WX08X10015

25 pi (7,6 m) - WX08X10025

⚠ AVERTISSEMENT

Raccordez-vous à une alimentation en eau potable seulement. Une alimentation en eau potable est requise pour le fonctionnement de la machine à glaçons. La pression d'eau doit se situer entre 40 et 120 psi (275 à 827 kilopascals).

Instructions d'installation

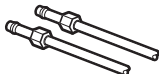
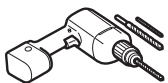
INSTALLATION DE LA CONDUITE D'EAU (suite)

PIÈCES NÉCESSAIRES (suite)

REMARQUE : Les seuls tuyaux en plastique autorisés par GE Appliances sont fournis avec la trousse SmartConnect™ Refrigerator Tubing. N'utilisez pas d'autres tuyaux d'alimentation d'eau en plastique, cette ligne étant sous pression en permanence. Certains types de plastique peuvent se fissurer ou se rompre avec le vieillissement et causer des dégâts d'eau dans votre maison.

- Vous pouvez vous procurer une trousse de branchement à l'alimentation d'eau (contenant tuyau, robinet, raccords et instructions) auprès de votre fournisseur ou Electromenagersge.ca/fr/produits/filtres-et-accessoires.
- Alimentation en eau froide La pression de l'alimentation d'eau doit être entre 20 et 120 psi (1,4 à 8,1 bar).

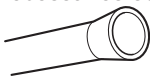
- Perceuse électrique.
- Clé d'½ po ou clé réglable
- Un tournevis à tête plate et un tournevis cruciforme.



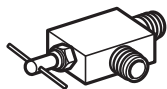
- Deux écrous à compression d'un diamètre extérieur de ¼ po et deux bagues (manchons)—pour brancher le tuyau en cuivre au robinet d'arrêt et au robinet d'eau du réfrigérateur.

OU

- Si vous utilisez une trousse SmartConnect™ Refrigerator Tubing, les raccords nécessaires sont déjà assemblés au tuyau.



- Si votre canalisation d'eau actuelle en cuivre est équipée d'un raccord évasé à une extrémité, vous aurez besoin d'un adaptateur (que vous trouverez dans votre magasin de matériel de plomberie) pour brancher le tuyau d'eau au réfrigérateur, OU BIEN vous pouvez couper le raccord évasé à l'aide d'un coupe-tube, puis utiliser un raccord à compression. Ne coupez jamais l'extrémité finie d'un tuyau de la trousse SmartConnect™ Refrigerator Tubing.



- Robinet d'arrêt pour brancher le tuyau d'eau froide. Le robinet d'arrêt doit avoir une entrée d'eau avec un diamètre intérieur minimal de 5/32 po au point de jonction avec le TUYAU D'EAU FROIDE. Des robinets d'arrêt de type vanne à étrier sont souvent inclus dans les trousse d'alimentation d'eau. Avant d'en acheter, assurez-vous que ce type de robinet est conforme à vos codes de plomberie locaux.

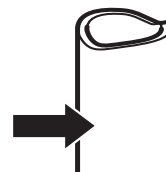
Installez le robinet d'arrêt sur la canalisation d'eau potable la plus proche.

1 FERMETURE DE L'ALIMENTATION D'EAU PRINCIPALE

Ouvrez le robinet le plus proche pour purger l'eau des tuyauteries.

2 CHOISISSEZ L'EMPLACEMENT DU ROBINET

Choisissez un emplacement pour le robinet qui soit facilement accessible. Il est préférable de se connecter sur le côté d'un tuyau vertical. Si vous devez vous connecter à un tuyau horizontal, faites le branchement vers le haut ou sur le côté, plutôt qu'en bas du tuyau pour éviter de recevoir des sédiments provenant de la conduite d'eau.

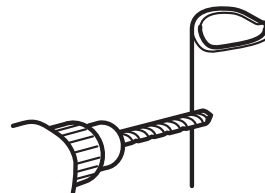


3 PERCAGE D'UN TROU POUR LE ROBINET

Percez un trou de 1/4 po dans le tuyau d'eau, à l'aide d'un foret dur, même si vous utilisez un robinet auto-forant. Enlevez toutes les bavures dues au perçage du trou dans le tuyau.

Veillez à ne pas laisser l'eau couler dans votre perceuse.

Si vous ne percez un trou d' ¼ po, votre production de glace ainsi que la taille des glaçons seront réduites.

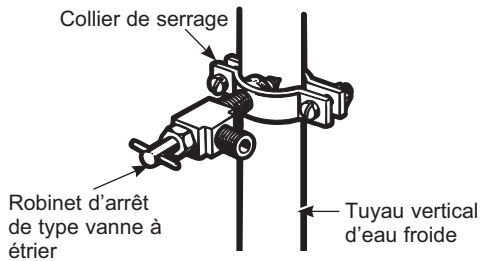


Instructions d'installation

INSTALLATION DE LA CONDUITE D'EAU (suite)

4 FASTEN THE SHUTOFF VALVE

1. Fixez le robinet d'arrêt à la canalisation d'eau froide à l'aide du collier de serrage.

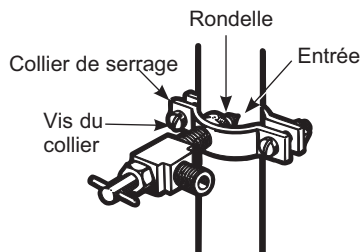


REMARQUE : L'installation sera conforme aux codes de plomberie 248CMR du Commonwealth du Massachusetts. L'utilisation de robinets-vannes à étrier sont interdites au Massachusetts. Demandez l'avis de votre plombier qualifié.

5 SERRAGE DU COLLIER

Serrez les vis du collier jusqu'à ce que la rondelle d'étanchéité commence à enfler.

REMARQUE : Ne serrez pas trop, vous risquez d'écraser le tuyau.



6 PASSAGE DU TUYAU

Faites passer le tuyau entre la conduite d'eau froide et le réfrigérateur.

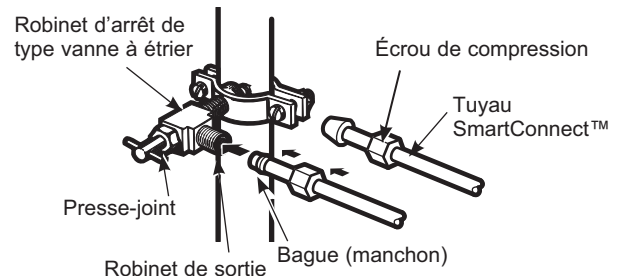
Faites passer le tuyau par un trou percé dans le mur ou le plancher (derrière le réfrigérateur ou au niveau du placard adjacent) aussi près du mur que possible.

7 BRANCHEMENT DU TUYAU AU ROBINET

Placez un écrou de compression et une bague (manchon) à l'extrémité du tuyau et branchez-les au robinet d'arrêt.

Assurez-vous que le tuyau soit bien inséré dans le robinet. Serrez bien l'écrou de compression.

Pour le tuyau en matière plastique d'une trousse SmartConnect™ Refrigerator Tubing, insérez l'extrémité moulée du tuyau dans le robinet d'arrêt et serrez l'écrou de compression à la main, puis serrez d'un tour supplémentaire avec une clé. Des fuites peuvent survenir si l'écrou est trop serré.



REMARQUE : L'installation sera conforme aux codes de plomberie 248CMR du Commonwealth du Massachusetts. L'utilisation de robinets-vannes à étrier sont interdites au Massachusetts. Demandez l'avis de votre plombier qualifié.

8 PURGE DU TUYAU

Ouvrez le robinet d'alimentation principale d'eau et purgez le tuyau jusqu'à ce que l'eau soit claire.

Fermez l'eau au niveau du robinet d'eau après écoulement d'environ 1 litre (1 quart) d'eau par le tuyau ou au bout de 2 minutes.



Pour terminer l'installation du réfrigérateur, retournez à l'étape 12 de la section Installation du réfrigérateur.

Conditions normales de fonctionnement

Les réfrigérateurs plus récents font des bruits différents de ceux des anciens.

Les réfrigérateurs modernes proposent plus de fonctions et sont plus avancés sur le plan technologique.

Entendez-vous ce que j'entends ? Ces conditions sont normales.

HUMMM...

WHOOSH...

- Le nouveau compresseur à rendement élevé peut fonctionner plus longtemps et plus vite que votre ancien réfrigérateur et vous pouvez entendre un son modulé ou un ronflement aigu pendant son fonctionnement.
- Vous entendrez peut-être un sifflement lorsque les portes se ferment.
- Ceci est dû à l'équilibrage de la pression dans le réfrigérateur. Après distribution de glace, un moteur ferme la goulotte de glace pour empêcher l'air tiède ambiant d'entrer dans le seau à glace, permettant ainsi de maintenir la glace à une température en dessous de zéro.

Le ronronnement du moteur fermant la goulotte de glaçons est normal, quelques instants après la distribution de glace.



- Vous pouvez entendre les ventilateurs tourner à hautes vitesses. Cela se produit lorsque le réfrigérateur vient d'être branché, lorsque les portes sont ouvertes fréquemment ou lors de l'ajout d'une grande quantité d'aliments dans le réfrigérateur ou le congélateur. Les ventilateurs permettent de maintenir les bonnes températures.
- La vitesse des ventilateurs varie pour fournir un refroidissement et une économie d'énergie optimum.

CLICS, CRAQUEMENTS ET CLAQUEMENTS

- Vous entendrez peut-être des craquements ou des bruits secs lorsque le réfrigérateur vient d'être branché. Ceci se produit lorsque le réfrigérateur se refroidit pour atteindre la bonne température.
- L'expansion et la contraction des serpentins de refroidissement pendant et après le dégivrage peuvent provoquer des craquements ou des claquements.
- Sur les modèles équipés d'une machine à glaçons, après un cycle de fabrication de glaçons, vous entendrez les glaçons tomber dans le seau à glace.
- Sur les modèles équipés d'un distributeur, au cours de la distribution d'eau, vous entendrez peut-être le déplacement des tuyaux d'eau au début de la distribution et après avoir relâché le bouton du distributeur.
- Ceci est dû à l'équilibrage de la pression dans le réfrigérateur. Après distribution de glace, un moteur ferme la goulotte de glace pour empêcher l'air tiède ambiant d'entrer dans le seau à glace, permettant ainsi de maintenir la glace à une température en dessous de zéro.

BRUITS D'EAU



- La circulation du liquide frigorigène dans le système provoque parfois des gargouillements comme de l'eau en ébullition.
- L'eau qui tombe sur le chauffage de dégivrage peut parfois provoquer des crépitements, des bourdonnements pendant le cycle de dégivrage.
- Vous entendrez peut-être des bruits de ruissellement pendant le cycle de dégivrage quand la glace sur l'évaporateur fond et coule dans le bac collecteur.
- La fermeture de la porte peut provoquer un gargouillement dû à l'équilibrage de la pression.
- Si le pichet à remplissage automatique n'est pas plein, il se remplit automatiquement environ 5 secondes après la fermeture de la porte. Il est normal d'entendre l'eau affluer pendant plusieurs minutes pendant que le pichet se remplit.

REFROIDISSEMENT AU DÉMARRAGE

Il peut s'écouler jusqu'à 24 heures avant que les températures du réfrigérateur n'atteignent les températures réglées. Pendant ce temps, il est préférable de réduire au maximum l'ouverture des portes du réfrigérateur et du congélateur.

Conseils de dépannage... Avant de faire un appel de service

Économisez temps et argent! Consultez d'abord les tableaux des pages suivantes et vous pourriez vous éviter un appel de service.

Problème	Causes Possibles	Solution
Fuite détectée au niveau du filtre	Le filtre à eau fuit ou doit être remplacé.	Remplacez le filtre ou installez le bouchon de dérivation de filtre.
Le voyant du filtre à eau reste allumé après le remplacement du filtre	Filtre à eau ou bouchon de dérivation installé à l'envers ou mauvais type de filtre installé.	Retirez le filtre ou le bouchon de dérivation, faites-le tourner de 180 degrés et réinstallez-le.
La poignée est lâche/Il y a un espace vide au niveau de la poignée.	La poignée doit être ajustée.	Consultez les sections Fixation de la Poignée du Compartiment de Réfrigération et Fixation de la Poignée du Congélateur pour des instructions détaillées.
Le réfrigérateur bipé	L'alarme de porte retentit car une porte est ouverte ou mal fermée.	Fermez la porte pour désactiver l'alarme ou maintenez simultanément les boutons Fridge et Ice Maker enfoncés durant trois secondes.
	Le réfrigérateur a détecté des conditions pouvant indiquer une fuite d'eau.	Vérifiez que le pichet ne présente pas de fuites d'eau. Le retrait et la réinstallation du pichet réinitialiseront l'alarme.
Lumières du réfrigérateur éteintes et « SA » apparaît sur l'afficheur	L'appareil est en mode Sabbat	Pressez simultanément les boutons Freezer , Ice Maker et AutoFill durant trois secondes pour quitter le mode Sabbat .
Pas de refroidissement	Le système de refroidissement est éteint	Consultez la section <i>A propos des commandes</i>
Pas de production d'eau ou de glaçons	La ligne d'alimentation ou le robinet d'arrêt est bouché	Appelez un plombier
	Le filtre à eau est bouché	Remplacez la cartouche de filtre ou retirez le filtre et installez le bouchon de dérivation**.
	La cartouche du filtre n'est pas correctement installée	Retirez et réinstallez la cartouche de filtre, en étant certain qu'elle est bien verrouillée
	La machine à glaçons est éteinte	Vérifier que la machine à glaçons est en marche Consultez la section <i>À propos de la machine à glaçons automatique</i>

*Certains modèles ne sont pas équipés d'un bouchon de dérivation de filtre. Pour obtenir une prise de dérivation, appelez au 1-800-692-6630 et demandez la prise de dérivation no WR17X33825. Au Canada, appelez au 1-800-561-3344.

Conseils de dépannage... Avant de faire un appel de service

Problème	Causes Possibles	Solution
Le congélateur refroidit mais pas le compartiment de réfrigération	Ceci est normal lorsque le réfrigérateur vient d'être branché ou après une panne d'électricité d'une longue durée.	Attendez 24 heures pour que la température dans les deux compartiments atteigne les températures sélectionnées.
La porte de mon réfrigérateur grince	Diminution de lubrifiant causée par son nettoyage accidentel sur la charnière.	Il est préférable de commander le lubrifiant GEA, numéro de pièce WR97X166, et de l'appliquer sur la charnière à l'endroit indiqué. Il est possible de vaporiser certains lubrifiants non toxiques tels que l'enduit à cuisson antiadhésif à base de silicone, la gelée de pétrole ou un lubrifiant alimentaire approuvé NSF. IMPORTANT : N'utilisez pas le WD-40 car il éliminera toute graisse résiduelle dans et autour de la charnière.
	Nivellement incorrect	Assurez-vous que l'appareil est de niveau
	Si les portes ont été enlevées et remontées lors de l'installation, le tuyau d'eau et le faisceau de fils sous le couvercle de charnière supérieure peuvent s'être déplacés et frotter contre la porte lorsqu'elle pivote.	Retirez le couvercle de charnière supérieure et assurez-vous que le tuyau d'eau et le faisceau de fils qui passent à travers l'axe de charnière ont été correctement placés et qu'ils ne touchent aucune pièce de porte pendant la rotation. L'application d'un lubrifiant de qualité alimentaire autour du manchon de porte peut aussi aider.

Mythe ou réalité

ENTRETIEN Avant d'appeler un technicien, consultez les conseils de dépannage détaillées dans le mode d'emploi. Si nécessaire, le service peut être prévue en nous visitant notre site web electromenagersge.ca.

Mythe ou réalité

Mythe ou réalité ?	Réponse	Explication
Le filtre à eau du réfrigérateur peut nécessiter un remplacement en-deçà de six mois.	VRAI	Le voyant du filtre à eau indiquera la nécessité de remplacer le filtre tous les six mois, ou suite à la distribution de 644 litres (170 gallons) d'eau (certains modèles seulement). Si le débit d'eau du distributeur ralentit ou si la production de glace diminue, le filtre à eau doit être remplacé, même si l'indicateur de filtre peut ne pas indiquer la nécessité d'un remplacement.
La machine à glaçons automatique dans mon réfrigérateur produira de la glace lorsque le réfrigérateur est branché à une prise secteur.	MYTHE	Le réfrigérateur doit être raccordé à une alimentation en eau et la machine à glaçons doit être allumée. Assurez-vous que la machine à glaçons est en marche, mais seulement après avoir raccordé le système à l'alimentation en eau et que celle-ci est ouverte. La machine à glaçons peut être allumée ou éteinte à partir des commandes. Veillez à ce que la machine à glaçons soit en marche, comme indiqué sur le panneau de commande du réfrigérateur. Consultez la section <i>À propos de la machine à glaçons automatique</i> .
Il n'y aura jamais de givre dans le compartiment de congélation.	MYTHE	La présence de givre dans le congélateur indique généralement que la porte n'est pas bien fermée ou a été laissée ouverte. En cas de givre, éliminez le l'aide d'une spatule en plastique et d'un torchon. Puis vérifiez qu'aucun aliment ou conteneur empêche la fermeture de la porte du congélateur. Vérifiez sur le panneau de contrôle du réfrigérateur si l'alarme de la porte est activée.
Je peux utiliser le bouchon de dérivation du filtre à eau pour déterminer si le filtre doit être remplacé.	VRAI	La réduction de débit du distributeur d'eau ou de la production de glace peut indiquer la nécessité de remplacer le filtre à eau. Installez le bouchon de dérivation du filtre à eau (fourni avec le réfrigérateur sur certains modèles*), et vérifiez le débit au niveau du distributeur. Si le débit d'eau revient à la normale avec le bouchon de dérivation en place, remplacez le filtre à eau.
La partie supérieure de la porte du réfrigérateur sera toujours alignée.	MYTHE	Plusieurs facteurs peuvent affecter l'alignement des portes du compartiment de réfrigération, y compris le sol sur lequel le réfrigérateur est installé et la quantité d'aliment (charge) dans les portes. Si les parties supérieures des portes du compartiment de réfrigération ne sont pas alignées, utilisez une clé Allen de 6,3 mm (1/4 po) pour ajuster les portes gauche et droite. La vis de réglage se trouve sur le côté inférieur gauche ou droit de la porte. Ouvrez la porte du congélateur pour accéder à cette vis.
Les poignées de porte du réfrigérateur peuvent être facilement resserrées.	VRAI	Si les poignées de porte sont lâches ou s'il y a un espace vide au niveau de la poignée, celle-ci peut être ajustée à l'aide d'un clé Allen d' 1/8 po sur les vis de réglage situées sur les extrémités des poignées.
Il peut y avoir des problèmes d'odeur et de goût avec votre glace.	VRAI	Après la mise en marche de la machine à glaçons, jetez les premières 24 heures de production de glace pour éviter tous problème d'odeur et de goût.
Je peux effectuer des réglages précis des portes du compartiment de réfrigération pour les aligner.	VRAI	Si les portes du compartiment de réfrigération ne sont pas alignées, utilisez une clé Allen d' 1/4 po pour ajuster la porte de droite. La vis de réglage est située au bas de les portes gauche et droite. Ouvrez la porte du congélateur pour y accéder.

Mythe ou réalité

ENTRETIEN Avant d'appeler un technicien, consultez les conseils de dépannage détaillées dans le mode d'emploi. Si nécessaire, le service peut être prévue en nous visitant notre site web electromenagersge.ca.

Mythe ou réalité

Truth or Myth?	Answer	Explanation
Les poignées de porte doivent toujours être retirées pour l'installation.	MYTHE	Si les portes doivent être retirées ou si le réfrigérateur passe facilement dans les ouvertures, ne retirez pas les poignées. Ajustez les poignées qui sont lâches ou s'il y a un espace vide au niveau de celles-ci, en ajustant les vis de réglage à chaque extrémité des poignées.
Les portes doivent toujours être retirées pour l'installation.	MYTHE	Consultez le tableau au verso de ces instructions. Les portes doivent uniquement être enlevées lorsque cela est nécessaire pour prévenir les dommages provoqués par des ouvertures trop étroites ou pour accéder à l'emplacement final.
Les portes du réfrigérateur vont se fermer d'elles-mêmes si elles sont laissées ouvertes.	MYTHE	Les portes du réfrigérateur doivent être fermées par l'utilisateur. Certains modèles sont dotés d'une fonction procurant un léger rebond qui génère une réaction positive de l'utilisateur afin qu'il puisse compléter la fermeture de la porte.
Les roues arrière peuvent être ajustées.	MYTHE	Les pieds de nivellement avant sont réglables et doivent être utilisés pour équilibrer le réfrigérateur. Les pieds de nivellement sont utilisés pour procéder au réglage initial de la porte réfrigérateur.
Vérifiez l'absence de fuites d'eau après avoir effectué tous les raccordements.	VRAI	Lorsque vous purgez l'air du système, vérifiez l'absence de fuites au niveau de toutes les connexions. Vérifiez la connexion à l'alimentation en eau du domicile à l'arrière du réfrigérateur ainsi que la connexion de ce tuyau au niveau de la porte.
Tout résidu d'emballage peut être nettoyé à l'aide de n'importe quel détergent.	MYTHE	N'utilisez pas de cire, de javellisant ou de tout autre produit contenant du chlore sur les panneaux, les poignées de porte et les garnitures en acier inoxydable. Vérifiez ces instructions dans la section Nettoyage de l'extérieur du réfrigérateur pour plus de détails.

*Certains modèles ne sont pas équipés d'un bouchon de dérivation de filtre. Pour obtenir une prise de dérivation, appelez au 1-800-692-6630 et demandez la prise de dérivation no WR17X33825. Au Canada, appelez au 1-800-561-3344.

Garantie limitée du réfrigérateur Café

cafeappliances.ca

Toutes les réparations en vertu de la garantie sont fournies par nos Centre de Service d'Usine ou par un technicien en réparation autorisé. Pour prévoir une réparation, consultez notre site cafeappliances.ca/service. Veuillez avoir votre numéro de série et votre numéro de modèle à portée de main lorsque vous appelez pour obtenir un service.

Pour le diagnostic, la réparation de votre réfrigérateur peut nécessiter l'utilisation du port de données embarqué. Celui-ci permet au technicien de réparation Café de diagnostiquer rapidement des problèmes avec votre appareil. Il permet également à Café d'améliorer ses produits en fournissant à ces derniers des informations sur votre appareil. Si vous ne voulez pas que les données de votre appareil soient envoyées à Café, veuillez demander à votre technicien de NE PAS soumettre les données à Café pendant la réparation.

Pendant la période de garantie de :	CAFÉ remplacera :
Un An A compter de la date d'achat initial	Toute pièce du réfrigérateur qui s'avère défectueuse en raison d'un défaut de matériau ou de fabrication. Pendant la validité de la présente garantie limitée d'un an, CAFÉ fournira également gratuitement la main d'œuvre et le service pour réparer la pièce défectueuse.
Trente jours (filtre à eau, si inclus) A compter de la date d'achat initial	Toute pièce de la cartouche filtrante qui ne fonctionne pas à cause d'un vice de matériau ou de main d'œuvre. Pendant la validité de la présente garantie limitée de 30 jours , Café fournira gratuitement une cartouche filtrante de remplacement.
Cinq Ans A compter de la date d'achat	Toute pièce du système fermé du réfrigérateur (compresseur, condenseur, évaporateur et tous les tuyaux de raccordement) qui s'avère défectueuse en raison d'un défaut de matériau ou de fabrication. Pendant la validité de la présente garantie limitée de cinq ans , Café fournira également gratuitement la main d'œuvre et le service pour réparer la pièce défectueuse dans le système fermé du réfrigérateur.

Ce qui n'est pas couvert par CAFÉ :

- Les déplacements à votre domicile pour vous expliquer l'utilisation de ce produit
- Une installation, livraison ou maintenance défectueuse.
- Une panne du produit par abus d'utilisation, par mauvaise utilisation, par modification ou s'il a été utilisé dans un but autre que celui pour lequel il a été fabriqué.
- Détérioration des aliments.
- Le remplacement des fusibles ou le réenclenchement du disjoncteur du domicile.
- Les dommages à la finition, tels que rouille de surface, ternissement ou petites taches, non signalés dans un délai de 48 heures suivant la livraison.
- Le remplacement de la cartouche filtrante, si incluse, à cause d'une pression d'eau en dehors de la gamme de fonctionnement recommandée ou à cause d'une concentration excessive de sédiments dans l'eau d'alimentation.
- Le remplacement des ampoules, si incluses, ou la cartouche filtrante, si incluse, et dans des conditions autres que celles susmentionnées.
- Tout dommage causé par accident, incendie, inondation ou une catastrophe naturelle.
- Tout dommage fortuit ou indirect causé par des défauts éventuels de cet appareil.
- Le service s'il est impossible d'avoir accès au produit.
- Dommages causés par l'utilisation d'un filtre qui n'est pas de marque GE Appliances.

EXCLUSION DES GARANTIES TACITES

Votre recours exclusif est l'échange du produit suivant les modalités de la Garantie Limitée. Toutes garanties tacites, y compris les garanties de valeurs marchandes ou d'adéquation à des fins particulières, sont limitées à une durée d'un an ou à la durée la plus courte autorisée par la loi.

Pour les clients des États-Unis : Cette garantie limitée est offerte à l'acheteur initial et à tout propriétaire successif de produits à usage domestique à l'intérieur des États-Unis. Si le produit est installé dans une région où ne se trouve aucun réparateur autorisé Café, vous devrez peut-être assumer les frais de transport ou apporter l'appareil à un centre de service autorisé Café. En Alaska, la garantie limitée exclut les frais d'expédition ou de service à votre domicile.

Certains états n'acceptent pas d'exclusion ou de limites aux dommages indirects consécutifs. Cette garantie vous accorde des droits particuliers et il peut exister d'autres droits qui varient selon l'État ou la province. Pour connaître vos droits juridiques, veuillez consulter le bureau local ou le bureau d'état des affaires aux consommateurs ou le Procureur Général de votre état.

Garant : États-Unis : GE Appliances, a Haier company
Louisville, KY 40225

Cette garantie est étendue à l'acheteur d'origine et aux propriétaires suivants pour tout produit acheté aux Canada pour une utilisation domestique aux Canada. Le service à domicile en vertu de la garantie sera fourni dans les régions où il est disponible et où Mabe estime raisonnable de le fournir.

Garant Canada: MC Commercial, Inc., Burlington, Ontario, L7R 5B6

GARANTIE LIMITÉE

Brochez votre reçu ici. La preuve d'achat d'origine est obligatoire pour obtenir le service en vertu de la garantie.

Garantie limitée de la cartouche filtrante d'eau

Contactez-nous au cafeappliances.ca

Pendant une période de :	GE Appliances remplacera :
Trente jours À partir de la date d'achat d'origine	Toute pièce défectueuse de la cartouche filtrante en raison d'un vice de matière ou de fabrication durant cette garantie limitée de trente jours.*

Ce que la garantie ne couvre pas :

- Déplacement d'un technicien au domicile pour des explications sur le produit.
- Installation incorrecte.
- La défectuosité du produit s'il a été utilisé abusivement, a été mal utilisé ou utilisé à d'autres fins que celle prévues ou à des fins commerciales.
- Le remplacement des fusibles ou le réenclenchement du disjoncteur du domicile.
- Le remplacement de la cartouche filtrante à cause d'une pression d'eau en dehors de la gamme de fonctionnement recommandée ou à cause d'une concentration excessive de sédiments dans l'eau d'alimentation.
- Détérioration du produit imputable à : accident, incendie, inondation ou catastrophe naturelle.
- Dommages accessoires ou indirects résultant de possibles défectuosités de cet appareil.

EXCLUSION DES GARANTIES IMPLICITES

Votre seul et unique recours consiste dans le remplacement de la pièce telle que décrite dans cette Garantie limitée. Toute garantie implicite, y compris les garanties relatives à la qualité marchande ou à l'adéquation à un usage particulier, est limitée à six mois ou à la période la plus courte autorisée par la loi.

Cette garantie est destinée à l'acheteur d'origine et à tout propriétaire subséquent pour les produits acquis à des fins d'utilisation domestique à l'intérieur des États-Unis. En Alaska, la garantie exclut les frais de livraison et les appels de service depuis votre domicile.

Certains États n'autorisent pas l'exclusion ou la limitation des dommages accessoires ou indirects. Certains droits particuliers vous sont dévolus en vertu de la présente garantie et peuvent s'accompagner d'autres droits qui varient d'un État à l'autre. Pour connaître vos droits, consultez l'autorité locale ou de l'État en matière de droits des consommateurs, ou encore le Procureur général de votre État.

Achats effectués en Iowa : Ce formulaire doit être signé et daté par l'acheteur et le vendeur avant la consommation du produit.

Ce formulaire doit être conservé dans les dossiers du vendeur pendant un minimum de deux ans.

Acheteur :

Nom _____
Adresse _____
Ville _____ État _____ Code postal _____
Signature _____ Date _____

Vendeur :

Nom _____
Adresse _____
Ville _____ État _____ Code postal _____
Signature _____ Date _____

*Si votre pièce GE Appliances s'avère défectueuse en raison d'un vice de fabrication durant la période de trente jours suivant la date d'achat d'origine, nous vous offrirons, à notre discrétion et sans frais, une pièce neuve ou reconstruite. Retournez la pièce défectueuse au fournisseur où s'est effectué l'achat accompagnée d'une copie de la preuve d'achat de la pièce. Si la pièce s'avère défectueuse et qu'elle ne présente aucun signe d'usage abusif, elle sera remplacée. La garantie ne couvre pas la défectuosité de pièces qui ont été endommagées alors qu'elles étaient en votre possession, dont l'usage a été abusif, ou dont l'installation est incorrecte. Elle ne couvre pas les frais de retour de la pièce au fournisseur où l'achat a eu lieu, ni les coûts de main-d'œuvre pour la retirer ou l'installer afin de diagnostiquer la défectuosité. Elle ne couvre pas les pièces dont l'usure découle d'une utilisation commerciale, à l'exception des équipements de climatisation. En aucune circonstance GE Appliances ne sera tenue responsable des dommages indirects.

Débitur de la garantie : GE Appliances, a Haier company
Louisville, KY 40225

Pour bénéficier du service de réparation sous garantie, une preuve de la date d'achat initial est nécessaire.

Fiche technique de performance

Modèle : GE Appliances XWFE

- Système certifié par l'IAPMO R&T en vertu des normes 42, 53, 401 de la NSF/ANSI relatives à la réduction des allégations spécifiées sur la fiche technique de rendement et le site iapmort.org.
- Le rendement réel peut varier selon les conditions locales de l'eau.

Substance testée pour réduction	Concentration d'essai de l'influent (mg/L)	Concentration max. admissible dans l'eau du produit (mg/L)	Réduction moy. (%)
Goût et odeur chlore	2.0 mg/L +/- 10%	N/A	96.9
Goût et odeur chloramine	3.0 mg/L +/- 10%	0.5	96.9
Particules, Classe I	Au moins 10 000/mL	N/A	91.4
Oocystes	50,000/L	N/A	>99.99
Plomb	0.15	0.01	98.85
Mercure	0.006	0.002	96.3
Amiante	107 à 108 fibres/L	N/A	>99
Toxaphène	0.015 +/- 10%	0.003	86.95
SCC (substitut de chloroforme C	0.300	0.015	99.7
Alachlore	0.050	0.001	> 98
Atrazine	0.100	0.003	> 97
Benzène	0.081	0.001	> 99
Carbofuran	0.190	0.001	> 99
tétrachlorure de carbone	0.078	0.0018	98
chlorobenzène	0.077	0.001	> 99
chloropicrine	0.015	0.0002	99
2, 4-D	0.110	0.0017	98
dibromochloropropane (DBCP)	0.052	0.00002	> 99
o-Dichlorobenzène	0.08	0.001	> 99
p-Dichlorobenzène	0.040	0.001	> 98
1,2-dichloroéthane	0.088	0.0048	95
1,1-dichloroéthylène	0.083	0.001	> 99
cis-1,2-dichloroéthylène	0.170	0.0005	> 99
trans-1,2-dichloroéthylène	0.086	0.001	> 99
1,2-dichloropropane	0.080	0.001	> 99
cis-1,3-dichloropropylène	0.079	0.001	> 99
dinosébe	0.170	0.0002	99
Endrine	0.053	0.00059	99
Éthylbenzène	0.088	0.001	> 99
éthylène dibromide (EDB)	0.044	0.00002	> 99
bromochloroacétonitrile	0.022	0.0005	98
dibromoacétonitrile	0.024	0.0006	98
dichloroacétonitrile	0.0096	0.0002	98
trichloroacétonitrile	0.015	0.0003	98
1,1-dichloro-2-propanone	0.0072	0.0001	99
1,1,1-trichloro-2-propanone	0.0082	0.0003	96
heptachlore (H-34, Heptox)	0.025	0.00001	>99
heptachloreépoxyde	0.0107	0.0002	98
hexachlorobutadiène	0.044	0.001	> 98
hexachlorocyclopentadiène	0.060	0.000002	> 99
Lindane	0.055	0.00001	> 99
méthoxychlore	0.050	0.0001	> 99
pentachlorophénole	0.096	0.001	> 99
simazine	0.120	0.004	> 97
Styrène	0.150	0.0005	> 99
1,1,2,2-tétrachloroéthane	0.081	0.001	> 99
Tétrachloroéthylène	0.081	0.001	> 99
Toluène	0.078	0.001	> 99
2,4,5-TP (silvex)	0.270	0.0016	99
Acide tribromoacétique	0.042	0.001	> 98
1,2,4-Trichlorobenzène	0.160	0.0005	> 99
1,1,1-trichloroéthane	0.084	0.0046	95
1,1,2-trichloroéthane	0.150	0.0005	> 99
trichloroéthylène	0.180	0.0010	> 99
bromoforme	0.300	0.015	95
bromodichlorométhane	0.300	0.015	95
chlorodibromométhane	0.300	0.015	95
xylènes	0.070	0.001	>99
Méprobamate	400 +/- 20%	60	95.5
Aténolol	200 +/- 20%	30	95.9
Carbamazépine	1400 +/- 20%	200	98.6
diéthyltoluamide (DEET)	1400 +/- 20%	200	98.6
Métolachlore	1400 +/- 20%	200	98.7
Triméthoprime	140 +/- 20%	20	96.1
Linuron	140 +/- 20%	20	96.6
TCEP	5000 +/- 20%	700	98.1
TCP	5000 +/- 20%	700	98.1
Phénytoïne	200 +/- 20%	30	96
Ibuprofène	400 +/- 20%	60	95.9
Naproxène	140 +/- 20%	20	96.5
Estrone	140 +/- 20%	20	97.1
Bisphénol A	2000 +/- 20%	300	99.1
Nonylphénol	1400 +/- 20%	200	97.3

Conditions d'application/Paramètres d'alimentation d'eau

Débit de service	0,5 gal./min. (1,89 l/min.)
Alimentation d'eau	Eau potable
Pression d'eau	25-120 psi (172-827 kPa)
Température de l'eau	33°F-100°F (0.6°C-38°C)
Capacité	170 gallons (643,5 litres)

Le rendement du produit sera conforme à ce qui est promis à condition que l'installation, l'entretien et le remplacement du filtre s'effectuent selon les recommandations du fabricant.

REMARQUE : Bien que les tests aient été réalisés dans des conditions de laboratoire.

Cartouche de rechange : XWFE. Pour une estimation du coût des pièces de rechange, visitez notre site Web cafeappliances.ca.

⚠ AVERTISSEMENT Pour réduire le risque associé à l'ingestion de contaminants :

- N'utilisez pas l'appareil avec de l'eau d'une qualité incertaine ou non potable sur le plan microbiologique sans une désinfection en amont et en aval du système. Les systèmes homologués relativement à la réduction d'oocystes peuvent être utilisés avec de l'eau désinfectée pouvant contenir des oocystes filtrables.

AVIS

Pour réduire le risque de fuite ou d'inondation et pour garantir un rendement optimal du filtre :

- Lisez et observez les instructions d'utilisation avant l'installation et l'utilisation de ce système.
- L'installation et l'utilisation DOIVENT satisfaire tous les codes de plomberie locaux et nationaux.
- Ne procédez pas à l'installation si la pression d'eau excède 120 psi (827 kPa). Si votre pression d'eau excède 80 psi (552 kPa), vous devez poser une valve de limitation de pression. Faites appel à un plombier si vous avez des doutes sur la façon de mesurer votre pression d'eau.
- Ne procédez pas à l'installation si une condition de coup de bélier est susceptible de survenir. Si cette condition existe, vous devez poser un antibélier. Faites appel à un plombier si vous avez des doutes sur la manière d'identifier cette condition.
- Ne procédez pas à l'installation sur des conduites d'eau chaude. La température maximale de l'eau pour ce système de filtre est de 100 °F (38 °C).
- Protégez le filtre contre le gel. Drainez le filtre lorsque la température tombe sous 33 °F (0,6 °C).
- Remplacez la cartouche filtrante jetable tous les six mois, ou plus tôt si vous constatez une réduction appréciable du débit d'eau.
- L'omission de remplacer la cartouche filtrante jetable aux intervalles recommandés peut mener à une réduction du rendement du filtre et au fendillement du boîtier du filtre, entraînant ainsi des fuites ou l'inondation.
- Ce système a été mis à l'essai conformément aux normes 42, 53 et 401 de la NSF/ANSI relatives à la réduction des substances énumérées ci-dessous. La concentration des substances mentionnées dans l'eau entrant dans le système a été réduite à une valeur inférieure ou égale à la limite admissible pour l'eau quittant le système, tel que stipulé dans les normes 42, 53 et 401 de la NSF/ANSI.



Le système XWFE est certifié par l'IAPMO R&T en vertu des normes 42, 53, 401, et P473 de la NSF/ANSI relatives à la réduction des allégations spécifiées sur la fiche technique de rendement et le site iapmort.org.

Notes

Notes

Soutien au consommateur

Site Web de Café

Vous avez une question ou vous avez besoin d'aide pour votre appareil électroménager? Visitez le site Web de Café 24 heures par jour, tous les jours de l'année! Vous pouvez aussi y trouver d'autres formidables produits Café et tirer avantage de tous nos services d'assistance en ligne. Aux États-Unis : cafeappliances.com

Au Canada : cafeappliances.ca

Enregistrez votre électroménager

Enregistrez votre nouvel appareil en ligne au moment qui vous convient le mieux! L'enregistrement de votre produit dans les délais prescrits permet une meilleure communication et un service rapide, selon les modalités de votre garantie, si besoin est. Vous pouvez également envoyer par courrier la carte d'enregistrement pré-imprimée qui se trouve dans l'emballage de votre appareil.

Aux États-Unis : cafeappliances.com/register

Au Canada : cafeappliances.ca/register

Service de réparation

Un service de réparation expert Café se trouve à quelques pas de chez vous. Rendez-vous sur notre site et programmez, à votre convenance, une visite de réparation à n'importe quel jour de l'année.

Aux États-Unis : cafeappliances.com/service

Au Canada : cafeappliances.ca/service

Prolongation de garantie

Procurez-vous une prolongation de garantie Café et informez-vous des rabais spéciaux en vigueur pendant la durée de votre garantie. Vous pouvez vous la procurer en ligne en tout temps. Les services Café seront toujours disponibles après l'expiration de la garantie. Aux États-Unis : cafeappliances.com/service

Au Canada : cafeappliances.ca/service

Pièces et accessoires

Les personnes ayant les compétences requises pour réparer elles-mêmes leurs appareils peuvent recevoir directement à la maison des pièces ou accessoires (les cartes VISA, MasterCard et Discover sont acceptées). Commandez en ligne 24 heures par jour.

Aux États-Unis : cafeappliances.com

Au Canada : cafeappliances.ca

Les instructions contenues dans le présent manuel comportent des procédures que tout utilisateur peut effectuer. Les autres types de réparation doivent généralement être confiés à un technicien qualifié. Utilisez de prudence : une réparation ou un entretien mal effectués peuvent rendre l'utilisation de l'appareil dangereuse.

Communiquez avec nous

Si vous n'êtes pas satisfait du service après-vente de Café, communiquez avec nous depuis notre site Web en fournissant tous les détails dont votre numéro de téléphone, ou écrivez à :

Aux États-Unis : General Manager, Customer Relations | Café, Appliance Park | Louisville, KY 40225

cafeappliances.com/contact

Au Canada : Director, Consumer Relations, Mabe Canada Inc. | Suite 310, 1 Factory Lane | Moncton, N.B. E1C 9M3

cafeappliances.ca/contact



DISTINCT BY DESIGN™

Manual del propietario e instrucciones de instalación

Congelador Inferior Refrigeradores

Modelos CGE

Contents

Información de Seguridad	3	Consejos para la Solución de Problemas	34
Instrucciones de Funcionamiento		Condiciones de Funcionamiento Normal	34
Funciones	6	Consejos para la Solución de Problemas	35
Controles	7	Verdad o Mito	37
Modo Sabático	7	Garantía Limitada	39
Autollenado	9	Soporte al Cliente	
WiFi	10	Certificado Limitado del Dispositivo del Cartucho	
Respuesta a la Demanda	11	del Filtro de Agua XWFE	40
Filtro de Agua	12	Ficha Técnica de Rendimiento	41
Almacenamiento de Refrigerantes	13	Soporte al Cliente	44
Hacer Hielo Automática	17		
Cuidado y Limpieza	18		
Reemplazo de las Luces	19		
Instrucciones de Instalación			
Preparación para Instalar el Refrigerador	20		
Instalación del Refrigerador	23		
Instalación del Suministro de Agua	31		

Escriba los números de modelo y de serie aquí:

Nº de Modelo _____

Nº de Serie _____

Busque estos números en una etiqueta del lado izquierdo, cerca de la parte intermedia del compartimiento del refrigerador.

ESPAÑOL

GRACIAS POR HACER QUE CAFÉ SEA PARTE DE SU HOGAR.

Sentimos orgullo por el nivel de arte, innovación y diseño de cada uno de los electrodomésticos de Café, y creemos que usted también. Entre otras cosas, el registro de su electrodoméstico asegura que podamos entregarle información importante del producto y detalles de la garantía cuando los necesite.

Registre su electrodoméstico Café ahora a través de Internet. Sitios Web y números telefónicos útiles están disponibles en la sección de Soporte para el Consumidor de este Manual del Propietario. También puede enviar una carta en la tarjeta de inscripción preimpresa que se incluye con el material embalado.

C A F É

DISTINCT BY DESIGN™

INFORMACIÓN IMPORTANTE DE SEGURIDAD

LEA TODAS LAS INSTRUCCIONES ANTES DE USAR

⚠ ADVERTENCIA

A fin de reducir el riesgo de incendio, explosión, descargas eléctricas o lesiones al usar su refrigerador, siga estas precauciones básicas de seguridad:

- Este refrigerador se deberá instalar y ubicar adecuadamente de acuerdo con las Instrucciones de Instalación antes de ser usado.
- Desenchufe el refrigerador antes de hacer reparaciones o hacer una limpieza.

Nota: La corriente que va al refrigerador no puede ser desconectada por ninguna configuración del panel de control.

Nota: Las reparaciones deberán ser realizadas por un Profesional del Servicio Técnico calificado.
- Reemplace todas las piezas y paneles antes del uso.
- No use un prolongador.
- No guarde ni use gasolina u otros vapores y líquidos inflamables cerca de éste ni de otros electrodomésticos.
- No guarde sustancias explosivas tales como latas de aerosoles con propelentes inflamables en este electrodoméstico.
- A fin de evitar riesgos de que los niños sufran asfixia o queden atrapados, retire las puertas de comidas frescas y del freezer de cualquier refrigerador antes de deshacerse o dejar de usar el mismo.
- Para evitar lesiones graves o la muerte, los niños no se deberán parar sobre ni jugar en o con el electrodoméstico.
- Los niños y las personas con capacidad física, sensorial o mental reducida o con falta de experiencia y conocimiento podrán usar este electrodoméstico sólo si son supervisados o les fueron dadas instrucciones sobre un uso seguro y entienden los riesgos involucrados.
- Este electrodoméstico fue diseñado para uso hogareño y para aplicaciones similares tales como: áreas de personal de cocina en tiendas, oficinas y otros espacios laborales; casas de campo; por clientes en hoteles, moteles, hostales y otros espacios residenciales, catering y aplicaciones no minoristas similares.
- Realice la conexión a un suministro de agua potable únicamente. Se requiere un suministro de agua fría para el funcionamiento de la máquina de hielos automática. La presión del agua deberá estar entre 40 y 120 psi (275-827 kilopascales).
- No aplique limpiadores ásperos sobre el refrigerador. Ciertos limpiadores dañarán el plástico, lo cual podrá hacer que ciertas piezas tales como la puerta o las manijas de las puertas se separen de forma inesperada. Para acceder a instrucciones detalladas, lea la sección de Cuidado y Limpieza.

⚠ PRECAUCIÓN

A fin de reducir el riesgo de lesiones al usar el refrigerador, siga estas precauciones básicas.

- No limpie estantes de vidrio ni tapas con agua caliente cuando estén fríos. Los estantes de vidrio y las tapas se pueden romper si son expuestos a cambios de temperatura repentinos o impactos, tales como sacudones o caídas. El vidrio templado está diseñado para destruirse en pequeñas piezas en caso de rotura.
- Mantenga los dedos fuera de los espacios de "riesgo de lastimaduras"; los despejes entre las puertas y entre las puertas y el gabinete son necesariamente pequeños. Tenga el cuidado de cerrar las puertas cuando los niños se encuentren en el área.
- No vuelva a congelar comidas que hayan estado totalmente congeladas en forma previa.
- No toque las superficies frías del compartimiento del freezer cuando las manos estén húmedas o mojadas, ya que la piel se podrá adherir a estas superficies extremadamente frías.
- En refrigeradores con máquinas de hacer hielo automáticas, evite el contacto con las partes móviles del mecanismo eyector o con el elemento de calefacción que libera los cubos. No coloque los dedos ni las manos en el mecanismo de la máquina de hielo automática mientras el refrigerador esté enchufado.
- Use un vidrio sólido al dispensar hielo (en modelos con dispensador de hielo).
- Instale la Jarra de Llenado Automático completamente sobre su base para evitar su caída cuando la puerta del refrigerador se encuentre abierta. La jarra es pesada cuando está llena de agua y podrá ocasionar lesiones en el caso de una caída.

⚠ ADVERTENCIA



RIESGO DE INCENDIO O EXPLOSIÓN

Mantenga cualquier material y vapores inflamables alejados del refrigerador. Si no se cumple con esto se podrá producir una explosión, incendio o la muerte.

LEA Y GUARDE ESTAS INSTRUCCIONES

INFORMACIÓN IMPORTANTE DE SEGURIDAD

LEA TODAS LAS INSTRUCCIONES ANTES DE USAR

⚠ ADVERTENCIA



RIESGO DE INCENDIO O EXPLOSIÓN Refrigerantes Inflamables

Este electrodoméstico cuenta con refrigerante isobutano, también conocido como R600a, un gas natural con alto nivel de compatibilidad medioambiental. Sin embargo, también es combustible. Siga las advertencias que figuran a continuación, a fin de reducir el riesgo de lesiones o daños sobre la propiedad.

1. Al mover, instalar y operar el electrodoméstico, se deberá tener cuidado de no dañar la tubería del refrigerante.
2. El servicio técnico sólo debe ser realizado por personal autorizado del servicio. Use sólo piezas del servicio autorizadas por el fabricante
3. Descarte el electrodoméstico de acuerdo con las Regulaciones Federales y Locales. El refrigerante inflamable y el material aislante inflamable usados requieren procedimientos de descarte especiales.

Comuníquese con las autoridades locales para descartar su refrigerador de forma ambientalmente segura.

4. Mantenga las aberturas de ventilación en el espacio de protección del electrodoméstico o en la estructura incorporada libres de obstrucción.
5. A fin de eliminar la escarcha, raspe con una espátula o raspador de plástico o madera. No use un instrumento con pico de hielo, metal, o con forma puntiaguda, ya que esto podrá perforar el revestimiento del freezer y luego la tubería refrigerante inflamable detrás de éste.
6. No use dispositivos eléctricos dentro del compartimiento de almacenamiento de comida del electrodoméstico.
7. No use ningún dispositivo eléctrico para descongelar su refrigerador.

⚠ ADVERTENCIA

Con la finalidad de reducir el riesgo asociado con descargas, no permita que los niños menores de 3 años de edad tengan acceso a las partes pequeñas durante la instalación de este producto.

CONEXIÓN DE LA ELECTRICIDAD

⚠ ADVERTENCIA



RIESGO DE DESCARGA ELÉCTRICA

Enchufe en un tomacorriente con conexión a tierra de 3 cables.

No elimine el cable de conexión a tierra.

No use un adaptador.

No use un prolongador.

Si no se siguen estas instrucciones se podrá producir a muerte, incendios o descargas eléctricas.

Nunca, bajo ninguna circunstancia, corte o elimine el tercer cable (tierra) del cable de corriente. Para su seguridad personal, este electrodoméstico debe estar adecuadamente conectado a tierra.

El cable de corriente de este electrodoméstico contiene un enchufe de 3 cables (conexión a tierra) que se conecta a un tomacorriente de pared estándar de 3 cables (conexión a tierra) para minimizar la posibilidad de riesgos de descargas eléctricas por parte del mismo.

Contrate a un electricista calificado para que controle el tomacorriente y el circuito eléctrico, a fin de asegurar que el enchufe esté correctamente conectado a tierra.

En caso de contar con un tomacorriente de pared de 2 cables, es su responsabilidad y obligación reemplazarlo por un tomacorriente de pared de 3 cables correctamente conectado a tierra. No use un adaptador.

El refrigerador debería estar siempre conectado a un enchufe específico con un índice de voltaje equivalente al que figura en su etiqueta de características técnicas.

Se requiere un suministro eléctrico con fusible y conexión a tierra de 115 voltios de CA, 60 Hz, 15 o 20 amperes. Esto garantiza el mejor funcionamiento y además previene la sobrecarga de los circuitos del hogar, lo cual podría ocasionar riesgos de incendio debido al recalentamiento de cables.

Nunca desenchufe el refrigerador tirando del cable de corriente. Siempre tome su enchufe firmemente y empuje el mismo hacia afuera para retirarlo.

Repáre o reemplace de inmediato todos los cables de corriente pelados o con cualquier tipo de daño. No use un cable con cortaduras o abrasión sobre su extensión o extremos.

Al alejar el refrigerador de la pared, se deberá tener cuidado de que no ruede sobre ni dañe el cable de corriente.

LEA Y GUARDE ESTAS INSTRUCCIONES

INFORMACIÓN IMPORTANTE DE SEGURIDAD

LEA TODAS LAS INSTRUCCIONES ANTES DE USAR

⚠ ADVERTENCIA PELIGRO DE SUFFOCATION Y ENTRAPMENT

El incumplimiento de estas instrucciones de eliminación puede causar la muerte o lesiones graves.

IMPORTANTE: Que un niño quede atrapado o que sufra una asfixia no son problemas del pasado. Los refrigeradores antiguos o abandonados aún son peligrosos, incluso aunque se conserven por "sólo unos pocos días". Si se deshará de su antiguo refrigerador, siga las siguientes instrucciones a fin de evitar accidentes.

Antes de Descartar su Antiguo Aparato:

- Retire las puertas de comidas frescas y del freezer.
- Deje los estantes en su lugar de modo que los niños no puedan trepar dentro con facilidad.

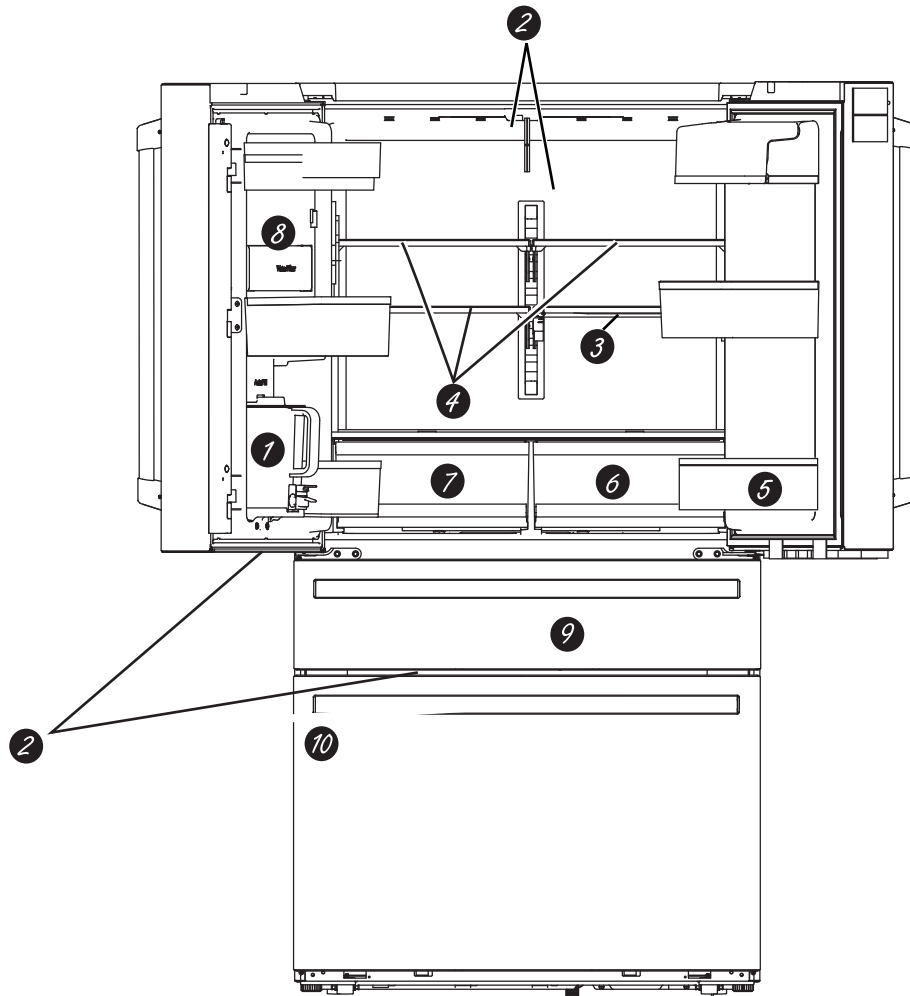
Cómo Eliminar Refrigerantes y Gomaespumas:

Descarte el electrodoméstico de acuerdo con las Regulaciones Federales y Locales. El material aislante inflamable usado requiere procedimientos de descarte especiales. Comuníquese con las autoridades locales para descartar su electrodoméstico de forma ambientalmente segura.

LEA Y GUARDE ESTAS INSTRUCCIONES

Funciones

Modelo CGE



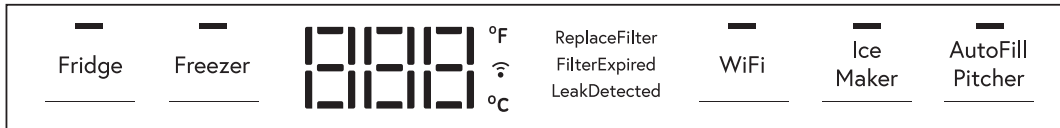
- 1 Jarra de Llenado Automático**
Diseñada para el rellenado con manos libres, a fin de proveer agua fría filtrada disponible de forma constante.
- 2 Luz LED de exhibición**
La luz LED está posicionada a través del interior para iluminar áreas del refrigerador. Debajo de la puerta de comidas frescas se encuentran ubicadas luces LED para iluminar el cajón convertible, y debajo del cajón convertible se encuentran luces LED para iluminar el cajón del freezer.
- 3 Estante de QuickSpace™**
Funciona como un estante normal de tamaño completo cuando lo necesite y se desliza fácilmente hacia adentro para guardar artículos altos en la parte inferior.
- 4 Estantes a prueba de derrames**
Diseñados para capturar derrames y permitir una limpieza más fácil.
- 5 Recipiente con puerta desmontable**
Puede ser retirado cuando haya una pared que limite la apertura de la puerta.
- 6 HCS (Sistema de Control de Humedad)**
Los estantes sellados de almacenamiento con control de humedad (HCS, en inglés) prolongan la preservación de los productos, manteniendo la humedad.
- 7 Estante Ventilado**
Estante ventilado para almacenar frutas y vegetales.
- 8 Filtro de agua**
Filtra agua y hielo. Certificado para reducir quistes resistentes al cloro, plomo, fármacos selectos, y más. A fin de acceder a instrucciones para un reemplazo fácil del filtro, consulte la página 12.
- 9 Cajón convertible**
Seleccione la mejor temperatura para guardar su comida.
- 10 Máquina de Hielo**
Almacenamiento de hielo en el cajón superior izquierdo del compartimiento del Freezer.

Controles

Todos los Modelos

Actualizamos nuestro software de forma constante. Por favor, use como referencia el manual del propietario completo a través de Internet para conocer las últimas funcionalidades en cafeappliances.com. En Canadá, visite cafeappliances.ca.

Las configuraciones de temperatura recomendadas y la preconfiguración de fábrica son de 37°F (3°C) para el refrigerador y de 0°F (-18°C) para el freezer.



Los controles de temperatura fueron configurados previamente en la fábrica en 37°F (3°C) para el compartimiento del refrigerador y en 0°F (-18°C) para el compartimiento del freezer. Espere 24 horas hasta que la temperatura se estabilice en los ajustes de configuración previa recomendados.

Para Cambiar la Temperatura del Refrigerador:

Presione el botón Fridge (Nevera) para pasar a través de las configuraciones de temperatura disponibles entre 34°F (1°C) y 42°F (6°C). *Observe que la temperatura configurada hará un bucle retornando hasta la configuración más baja al indexar el botón Fridge (Nevera) en la configuración más alta.*

Presione el botón Freezer (Freezer) para pasar a través de las configuraciones de temperatura disponibles entre -6°F (-21°C) y 5°F (-15°C). *Observe que la temperatura configurada hará un bucle retornando hasta la configuración más baja al indexar el botón Freezer (Freezer) en la configuración más alta.*

El sistema de refrigeración se podrá apagar sin desconectar la corriente eléctrica al refrigerador. Presione los botones **Fridge** (Nevera), **Freezer** (Freezer) y **Ice Maker** (Máquina de Hielo) durante 3 segundos para alternar entre encendido/ apagado del sistema de refrigeración. Aparecerá exhibido CS seguido de OFF (Apagado) u ON (Encendido).

Control Settings

- Presione los botones Fridge (Nevera) y Ice Maker (Máquina de Hielo) durante 3 segundos para alternar entre Door Alarm On/Off (Alarma de la Puerta Encendida/ Apagada).
- Presione el botón Ice Maker (Máquina de Hielo) para alternar entre encendido/ apagado de la máquina de hielo.
- Presione el botón WiFi para activar el mismo. Mantenga presionado el botón WiFi durante 3 segundos para apagar el mismo.
- Presione el botón AutoFill (Llenado Automático) para alternar entre encendido/ apagado de la Jarra de Llenado Automático.

Fahrenheit / Celsius:

Presione el botón Fridge (Nevera) o Freezer (Freezer) para exhibir la temperatura, y mantenga presionados los botones Freezer (Freezer) y Ice Maker (Máquina de Hielo) durante 3 segundos para alternar entre Celsius y Fahrenheit.

Control de Volumen:

Mantenga presionados los botones Freezer (Freezer) y AutoFill (Llenado Automático) durante 3 segundos para alternar los niveles de sonido entre "Hi" (Alto), "Lo" (bajo) y "Off" (Apagado).

Modo Sabático:

Mantenga presionados los botones Freezer (Freezer), Ice Maker (Máquina de Hielo) y AutoFill (Llenado Automático) durante 3 segundos para alternar entre on/off (encendido/ apagado) de Sabbath Mode (Modo Sabático).

Modo Sabático - OU (Unión Ortodoxa) y CRC (Congreso Rabínico Central)

Este refrigerador ofrece el modo Sabbath (Sabático) OU y CRC, que cumple con los estándares establecidos por la Unión Ortodoxa (Orthodox Union), el Congreso Rabínico Central (Central Rabbinical Congress) y Halach Tech, y está 100% certificado por los más altos estándares de Halacha. Para activar el modo Sabbath (Sabático) OU y CRC, se deberá conectar al refrigerador un Conservador de Shabbos para Refrigeradores por separado. El Conservador de Shabbos se podrá adquirir a través de zmantechnologies.com o geappliances.com. La única forma de activar el modo Sabbath (Sabático) OU y CRC es adquiriendo el Conservador de Shabbos para Refrigeradores. El Conservador de Shabbos se conecta a su refrigerador para activar de forma

automática modos compatibles con Shabbos cada semana o antes de cada feriado. El modo apropiado se activará de forma automática en base a la fecha del calendario Judío de acuerdo a su ubicación. Cuando el Conservador de Shabbos se encuentre conectado de forma correcta al refrigerador, la pantalla mostrará "SA".

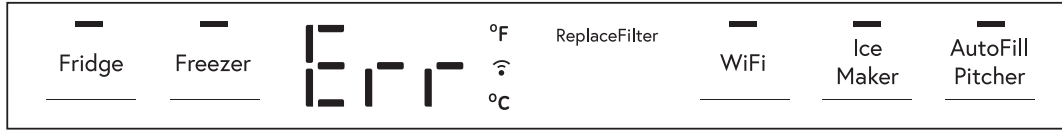


POWERED BY:



Controles

Cartucho del Filtro XWFE



La Pantalla Superior de los Controles se iluminará de la siguiente manera:

- **Replace Filter (Reemplazar el Filtro)** cuando quede un 10% de vida útil
- **Leak Detected (Pérdida Detectada)** cuando se detecte agua en el filtro, indicando que hay una pérdida presente.
- **Expired Filter (Filtro Vencido)** cuando el filtro haya estado en uso durante 6 meses.
- **Err (Error)** cuando no haya ningún filtro presente o se haya instalado un filtro equivocado.

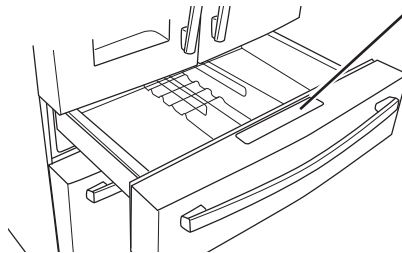
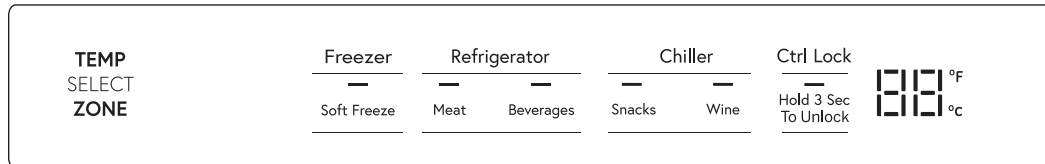
En todos los casos, la pantalla se reiniciará de forma automática cuando la condición de la falla se haya corregido.

Modelo CGE Cajón Convertible

La temperatura del Cajón Convertible es seleccionada presionando el ítem de comida que se guardará en el cajón. Las temperaturas correspondientes son:

Congelación Baja	23°F (-5°C)
Carne	29°F (-2°C)
Bebidas	33°F (1°C)
Aperitivos	37°F (3°C)
Vino	42°F (6°C)

La configuración de temperatura está bloqueada por omisión. Se deberá presionar el botón durante 3 segundos para desbloquear esta función.



Dispensador

Jarra de Llenado Automático

Coloque la tapa sobre la jarra de modo que calce de forma segura. Alinee la parte elevada de la tapa con la ranura sobre la puerta y deslice la jarra en la puerta hasta que caiga completamente dentro de la charola de la jarra.

La jarra se llenará con agua de forma automática aproximadamente 5 segundos después del cierre de la puerta. La jarra no se llenará con agua mientras que la puerta del FF del lado izquierdo esté abierta. La jarra se apagará de forma automática luego de haberse llenado aproximadamente 60 onzas.

La jarra fue diseñada para minimizar agitaciones, pero tenga cuidado de no abrir o cerrar la puerta con fuerza excesiva, a fin de evitar que se salpiquee cierta cantidad de agua fuera de la boca de la jarra.

El método más fácil para retirar la tapa es presionar hacia arriba sobre el extremo trasero que sobresale de la tapa, cerca de la manija.

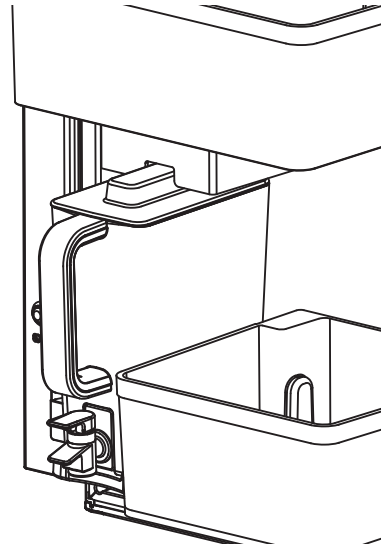
Para Limpiar la Jarra de Llenado Automático

La jarra de llenado automático y la tapa son de uso seguro en lavavajillas. La tapa se deberá colocar en el estante superior únicamente, y la jarra en el estante inferior del lavavajillas. Lave las mismas utilizando un lavado normal.

Para maximizar el rendimiento de su jarra de llenado automático, se recomienda enjuagar la misma en su totalidad luego del lavado, con el fin de eliminar todo el jabón residual.

Si su jarra de llenado automático estuvo en contacto con comida que puede generar descoloración (por ejemplo: ketchup de tomate, mostaza), limpie la jarra de inmediato. Esto permitirá evitar una posible descoloración de la jarra.

Si desea ordenar una jarra de llenado automático secundaria, visite www.geapplianceparts.com.



WiFi (para clientes en Estados Unidos, sus territorios, y Canadá)

Si su refrigerador cuenta con una etiqueta de **Información del Electrodoméstico Conectado**, entonces es posible conectarlo a su red WiFi, lo cual le permitirá la comunicación con su dispositivo móvil para realizar el monitoreo, control y notificaciones de forma remota.

Para conocer más sobre las funciones del electrodoméstico conectado y para saber qué aplicaciones de electrodomésticos conectados funcionan con su teléfono inteligente, por favor visite GEAppliances.com/connect.

ACTUALIZACIONES DE SOFTWARE

Una de las funciones de la SmartHQ™ es la capacidad de aceptar las actualizaciones de software del refrigerador. Cuando el usuario acepta las actualizaciones, parecerá que las luces del refrigerador se apagan, y todas las funciones no estarán disponibles durante la actualización. Éste es un comportamiento normal durante las actualizaciones de software. Se alienta a los usuarios a controlar las configuraciones del refrigerador luego de una actualización de software.

INFORMACIÓN REGULATORIA

Declaración de Cumplimiento con FCC/IC:

Este dispositivo cumple con la Parte 15 de la Normativa de la FCC. Su funcionamiento está sujeto a las dos condiciones siguientes:

1. Este dispositivo no podrá causar interferencias perjudiciales.
2. Este dispositivo debe aceptar cualquier interferencia recibida, incluidas las interferencias que puedan provocar un funcionamiento no deseado.

Este equipo fue probado y cumple con los límites establecidos para un dispositivo digital de clase B, según la parte 15 de la Normativa de la FCC. Este producto fue probado y cumple con los límites establecidos para un dispositivo digital de Clase B, según la parte 15 de la Normativa de la FCC. Este equipo genera, usa y puede emitir energía de radiofrecuencia y, si no se instala y utiliza de acuerdo con las instrucciones, puede ocasionar interferencias perjudiciales sobre las comunicaciones radiales. Sin embargo, no se garantiza que no se presenten interferencias en una instalación en particular. Si el equipo provoca interferencias perjudiciales para la recepción de radio o televisión, lo que puede comprobar encendiendo y apagando el equipo, se aconseja al usuario que intente corregir la interferencia a través de una de las siguientes medidas:

- Reoriente o reubique la antena receptora.
- Aumente la separación entre el equipo y el receptor.
- Conecte el equipo a un tomacorriente de un circuito diferente al tomacorriente al cual se encuentra conectado el receptor.
- Para solicitar ayuda, consulte al proveedor minorista o a un técnico experimentado de radio/ TV.

Etiqueta: Las modificaciones sobre esta unidad no aprobadas expresamente por parte del fabricante podrían anular la autoridad del usuario para utilizar el equipo.

Sólo el módulo ConnectPlus (o un módulo de comunicación similar)

Exposición a RF – Sólo se autoriza el uso de este dispositivo a través de una aplicación móvil. Se deberá mantener en todo momento una distancia de separación mínima de 20 cm. entre el dispositivo **ConnectPlus** y el cuerpo del usuario.

*Modelos Selectos Únicamente **Para EE.UU., Territorios de EE.UU., y Canadá Únicamente

Respuesta a la Demanda (en algunos modelos)

Este producto cuenta con capacidad WiFi y requiere de conectividad a Internet y un enrutador inalámbrico a fin de permitir la interconexión con un Sistema de Manejo de Energía, y/o con otros dispositivos, sistemas o aplicaciones externas.

¿Qué es la Respuesta a la Demanda?

Algunas empresas de servicios podrán variar sus índices eléctricos dependiendo de la hora del día. Algunas empresas de servicios ofrecen programas de Respuesta a la Demanda, a fin de reducir el uso de la energía durante ciertos momentos del día. Algunas empresas de servicios ofrecen ambas cosas. Este refrigerador cuenta con una función de Respuesta a la Demanda para ayudar a controlar el uso de la energía.

Uso de la Respuesta a la Demanda sin un Programa de una Empresa de Servicios

La función de Respuesta a la Demanda permite que el usuario cambie funciones de alto consumo de corriente, tales como descongelar, durante un espacio de 4 horas. Esta función corresponde al promedio de uso pico de la corriente. Esta función es activada o desactivada a través de la aplicación SmartHQ™ y requiere de la aplicación SmartHQ™ para funcionar. Esto no depende de las empresas de servicios locales, ni de si éstas varían los índices de electricidad.

Respuesta a la Demanda de su Empresa de Servicios

Si su empresa de servicios cuenta con un programa de Respuesta a la Demanda compatible, y usted está registrado en la empresa de servicios, este refrigerador podrá modificar su uso de energía en base a comandos recibidos desde la empresa de servicios. La aplicación SmartHQ™ se podrá usar para anular el programa de Respuesta a la Demanda, si así se desea. Por favor, observe que existen muchos programas diferentes de Respuesta a la Demanda, y muchos no son compatibles con los electrodomésticos de cocina. Por favor, consulte a su empresa de servicios local.

El nivel de respuesta a la demanda es exhibido a través de la aplicación móvil. El modo de carga del electrodoméstico con retraso (DAL, según sus siglas en inglés) reduce el consumo de energía, al retrasar la congelación y producción de hielo por 4 horas. La reducción de la carga del electrodoméstico de forma temporaria (TALR, según sus siglas en inglés) reduce el consumo de energía, al retrasar la congelación, producción de hielo, y la interrupción de la refrigeración por 10 minutos.

El consumo de energía estimado en Watt-hora (Wh) es informado a través de la aplicación móvil.

Instalación de Respuesta a la Demanda

Instale la aplicación SmartHQ™ de acuerdo con las instrucciones que figuran en la página previa. Seleccione la página de Respuesta a la Demanda, y elija entre las opciones de Respuesta a la Demanda disponibles. La aplicación brinda más información sobre el funcionamiento de cada opción de Respuesta a la Demanda.

Protocolos de Comunicación sobre la Respuesta a la Demanda

Este refrigerador utiliza los siguientes protocolos de estándares de apertura IETF para la comunicación WiFi. Para conocer las actualizaciones de protocolos más recientes, consulte el manual del usuario a través de Internet:

- <https://mqtt.org/mqtt-specification/>
- <http://docs.oasis-open.org/mqtt/mqtt/v3.1.1/os/mqtt-v3.1.1-os.html>

API de GEA para la respuesta a la demanda:

- Escriba el estado de la respuesta a la demanda (Inactivo, DAL, y TLAR)
- Acceda al estado de la respuesta a la demanda (Inactivo, DAL, TLAR, o Descongelación con Retraso)
- Acceda al consumo de energía estimado en Watt-hora.
- Acceda al evento de «Puerta Abierta»
- Acceda al evento de «Alerta de temperatura alta»
- Escriba el tiempo de inicio y período de tiempo de duración de la respuesta a la demanda (DAL o TALR).
- Acceda al tiempo de inicio y período de tiempo de duración de la respuesta a la demanda (DAL o TALR).
- Borre la programación de la respuesta a la demanda (DAL o TALR).

Cartucho del Filtro de Agua - XWFE

Cartucho del filtro de agua

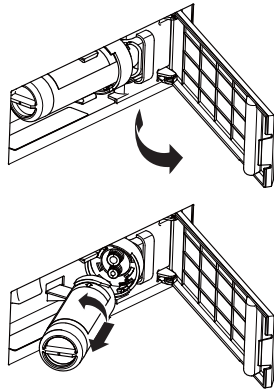
El cartucho del filtro de agua se encuentra ubicado en la puerta de refrigerador del lado izquierdo, detrás del panel de acceso rectangular.

Cuándo Reemplazar el Cartucho del Filtro

El mensaje **Reemplazar el Filtro** en el panel de control se iluminará cuando el cartucho del filtro de agua deba ser reemplazado pronto. El mensaje **Filtro Vencido** se iluminará cuando el cartucho del filtro de agua deba ser reemplazado. El filtro de agua podrá ser reemplazado antes si el flujo de agua hasta el dispensador o a la máquina de hielo se reduce.

RETIRO DEL FILTRO

Si reemplazará el filtro, primero retire el anterior tomando el mismo de forma suave y lentamente girándolo hacia la izquierda, dando aproximadamente 1/4 de giro. El filtro deberá liberarse de forma automática cuando lo haya rotado lo suficiente hacia la izquierda. Es posible que gotee una pequeña cantidad de agua.



⚠ PRECAUCIÓN

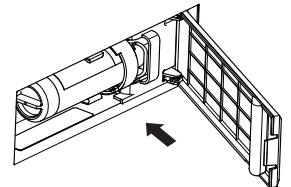
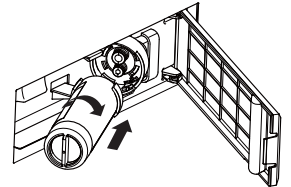
Si quedó aire atrapado en el sistema, es posible que el cartucho sea eyectado en el momento en que se retire. Retire el mismo con cuidado.

TAPÓN DEL BYPASS DEL FILTRO:

A fin de reducir el riesgo de daños sobre la propiedad debido a pérdidas de agua, usted DEBERÁ usar el tapón del bypass del filtro cuando no se disponga de un cartucho del filtro de reemplazo. Algunos modelos no vienen equipados con el tapón del bypass del filtro. Para acceder a un tapón del bypass gratuito, llame al 800.692.6630 y solicite el tapón del bypass del filtro WR17X33825. En Canadá, llame al 800.561.3344. El dispensador y la máquina de hielo no funcionarán si el filtro o el tapón del bypass del filtro no están instalados. El tapón del bypass se instala del mismo modo que un cartucho del filtro.

INSTALACIÓN DEL FILTRO EN UN REFRIGERADOR CON FREEZER INFERIOR

1. Abra el armazón del cartucho del filtro empujando la puerta para abrirla.
2. Alinee los puertos del filtro con los puertos de la carcasa del cartucho del filtro, e inserte el filtro de forma suave.
3. Lentamente, gire el filtro hacia la derecha hasta que se detenga. **NO LO AJUSTE EN EXCESO.** Mientras gira el filtro, el mismo se ajustará automáticamente en su posición. El filtro dará aproximadamente 1/4 de giro o 90 grados, hasta que no se pueda girar y la etiqueta mire hacia afuera.
4. Lentamente empuje el filtro hacia arriba sobre los sujetadores.
5. Cierre la carcasa del cartucho del filtro presionando la puerta cerrada de forma suave, hasta que las lengüetas queden bloqueadas en su posición.
6. Confirme que la condición de falla del filtro ya no está presente en la pantalla de controles.
7. De forma inmediata luego del cambio de filtro, espere hasta que la jarra se llene de forma automática y vacíe la jarra en el lavabo cuatro veces. Esto purgará el polvo del carbón negro normal del nuevo filtro, el cual es descargado durante el uso inicial.



Pautas de Aplicación/ Suministro de Agua

Flujo de Servicio	0.5 gpm (1.89 lpm)
Suministro de Agua	Agua Potable
Presión del Agua	25-120 psi (172-827 kPa)
Temperatura del Agua	33°F-100°F (0.6°C-38°C)
Capacidad	170 galones (643.5 litros)

Regístrese para RECORDATORIOS DE TEXTO, enviando REPLACE (Reemplazar) por mensaje de texto al 70543.

⚠ ADVERTENCIA

A fin de reducir el riesgo asociado con asfixia, no permita que los niños menores de 3 años tengan acceso a las partes pequeñas durante la instalación de este producto. El cartucho del filtro descartable deberá ser reemplazado cada 6 meses luego de agotar su capacidad, o antes si se produce una reducción notoria en el caudal.

Para obtener el máximo beneficio de su sistema de filtrado, Café Appliances recomienda el uso de los filtros de la marca GE Appliances únicamente. El uso de filtros de la marca GE Appliances en refrigeradores Café brinda un óptimo funcionamiento y confiabilidad. Los filtros GE Appliances cumplen con rigurosos estándares NSF de la industria sobre seguridad y calidad, que son importantes para los productos que están filtrando su agua. Café no posee filtros de la marca GE Appliances que no estén calificados para su uso en refrigeradores Café, y no existe seguridad de que los filtros que no son de la marca Café cumplan con los estándares de GE Appliances en relación a calidad, funcionamiento y confiabilidad.

Ante cualquier consulta, o para ordenar cartuchos de filtros adicionales, visite nuestro sitio Web en gewaterfilters.com.

Los clientes de Canadá deberán buscar el Centro de Servicio Técnico Camco en las páginas amarillas

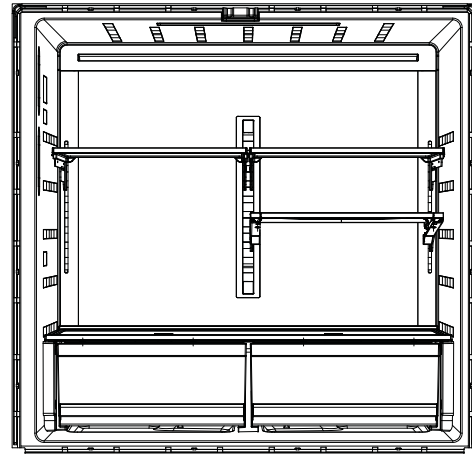
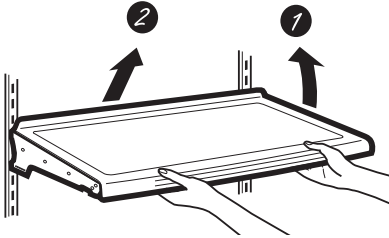
Opciones de almacenamiento de comidas frescas

Cómo Reorganizar los Estantes

Los estantes del compartimiento del refrigerador son ajustables.

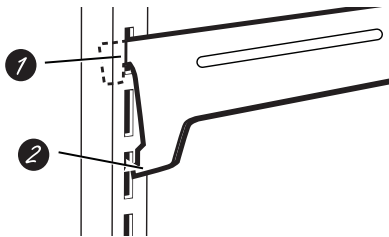
Para retirar:

- 1 Retire todos los artículos del estante.
- 2 Incline el estante hacia arriba en la parte frontal.
- 3 Levante el estante hacia arriba desde la parte trasera y retire el mismo.



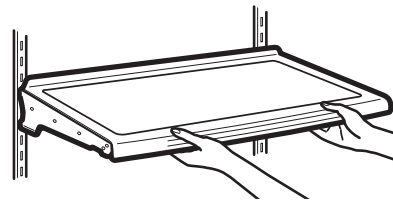
Para reemplazar:

- 1 Al inclinar el estante hacia arriba, inserte el gancho superior en la parte trasera del estante en una ranura del soporte.
- 2 Incline hacia abajo la parte frontal del estante, hasta que la parte inferior del mismo quede bloqueada.



Estantes a Prueba de Derrames

Los estantes a prueba de derrames poseen extremos especiales que ayudan a evitar derrames sobre estantes inferiores.

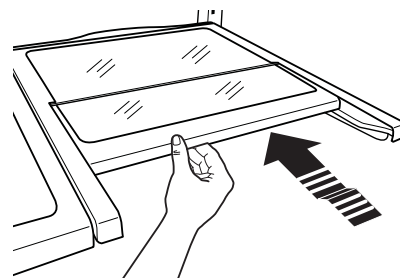


Estante Quick Space*

Este estante se divide a la mitad y se desliza por debajo de sí mismo para almacenar productos altos en el estante de abajo.

Este estante puede ser retirado y reemplazado o reubicado (al igual que los estantes a prueba de derrames).

NOTA: La mitad trasera del Estante Quick Space no es ajustable.

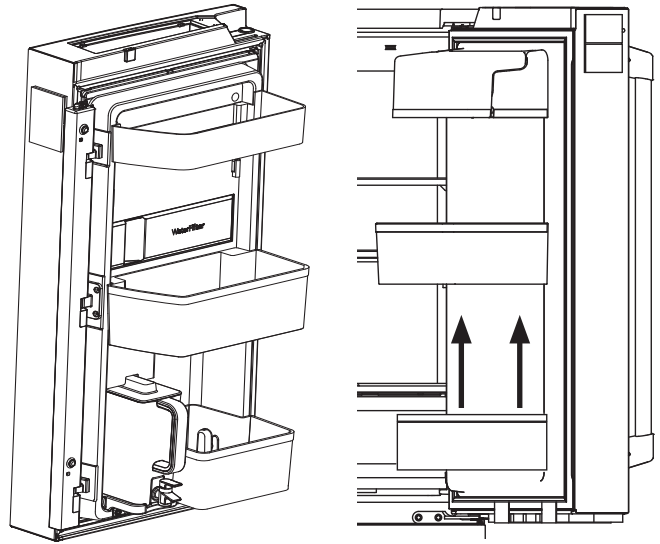


Opciones de almacenamiento de comidas frescas

Estantes de la Puerta

Las **BANDEJAS FIJAS** pueden ser llevadas fácilmente del refrigerador al área de trabajo.

Para retirar el mismo: Levante el recipiente de forma recta y luego empuje hacia afuera. Los estantes de la puerta no son intercambiables; observe la ubicación al retirar los mismos y vuelva a colocar cada estante en su ubicación correcta.

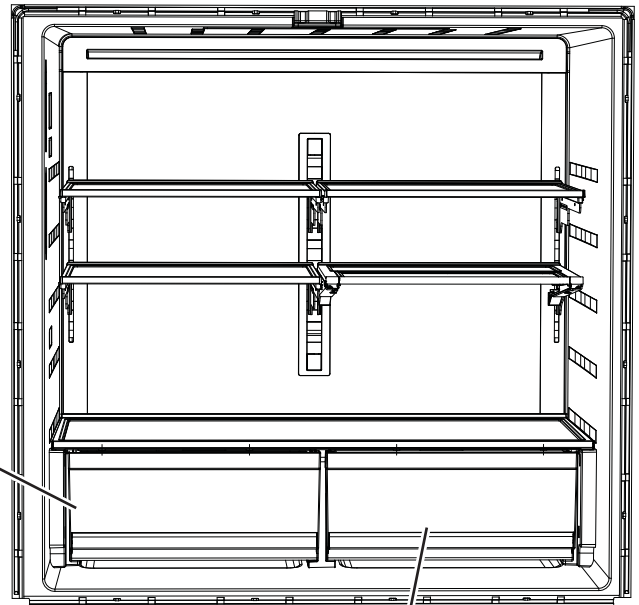


Charolas Selladas y Ventiladas

Mantenga las frutas y verduras organizadas en compartimientos separados para un fácil acceso.

El exceso de agua que se puede acumular en la parte inferior de los cajones o debajo de los mismos se deberá limpiar.

Charola ventilada para almacenar frutas y vegetales.



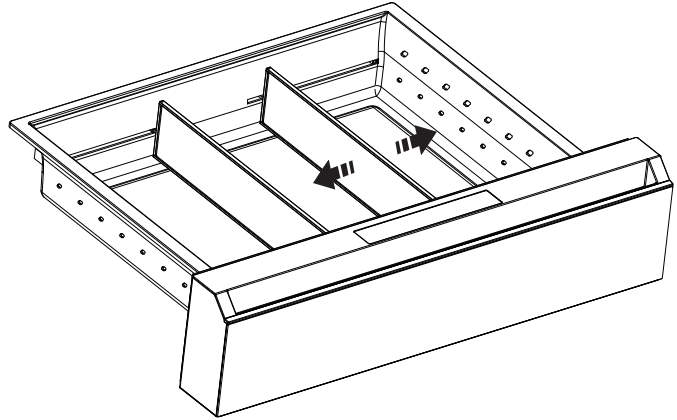
La charola sellada con Sistema de Control de Humedad preserva los vegetales de hojas verdes, manteniendo la humedad en la charola.

Opciones de Almacenamiento en el Refrigerador

CAJÓN CONVERTIBLE – Modelo CGE

Ajuste de los Divisores del Cajón

Tome el divisor desde su parte superior y deslice el mismo hacia la izquierda o derecha.



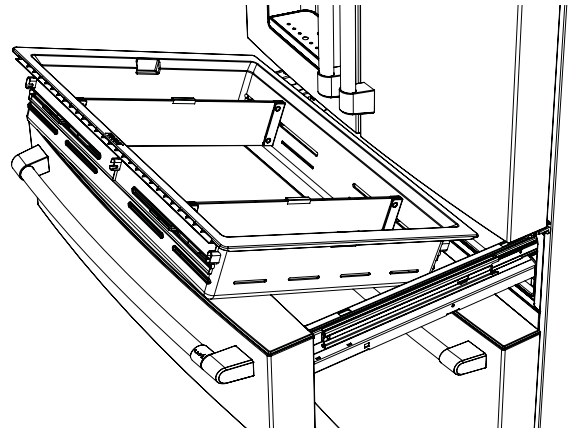
Cómo Retirar y Reemplazar el Cajón

Para retirar:

1. Empuje el cajón fuera de su posición final.
2. Retire la canasta del cajón convertible levantando la misma mientras gira la canasta hacia arriba.

Para reemplazar:

1. Primero vuelva a colocar el cajón nuevamente y gire el mismo del frente hacia abajo para que se apoye en el deslizador.
2. Empuje el cajón hacia adentro hasta la posición cerrada. La canasta del cajón convertible quedará floja si se vuelve a instalar en la dirección contraria. Como ayuda para volver a realizar la instalación, observe el estampado "FRONTAL".

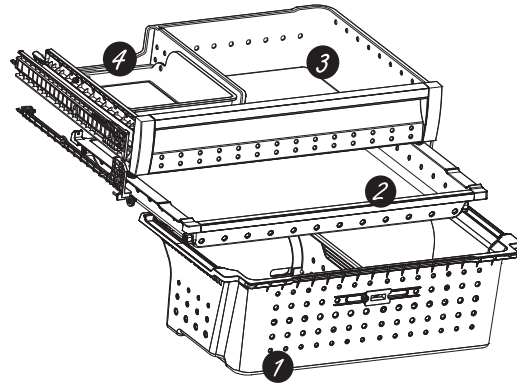


Opciones de Almacenamiento en el Refrigerador

CANASTAS, CAJONES Y CESTOS – Modelo CGE

Canasta y Cajón del Freezer

- ① Canasta
- ② Bandeja de pizza
- ③ Cajón
- ④ Hielera



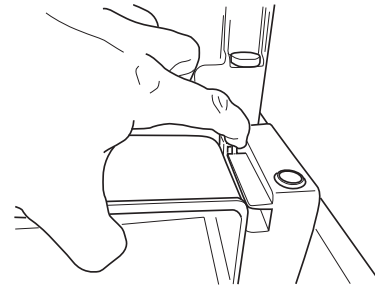
Recipiente Tipo Tolva en el Freezer

Para retirar:

Presione la lengüeta sobre el soporte lateral derecho para retirar el estante de la puerta del freezer..

Para reemplazar:

Deslice el estante en la ubicación hasta que quede bloqueado.



Retiro de la Cesto

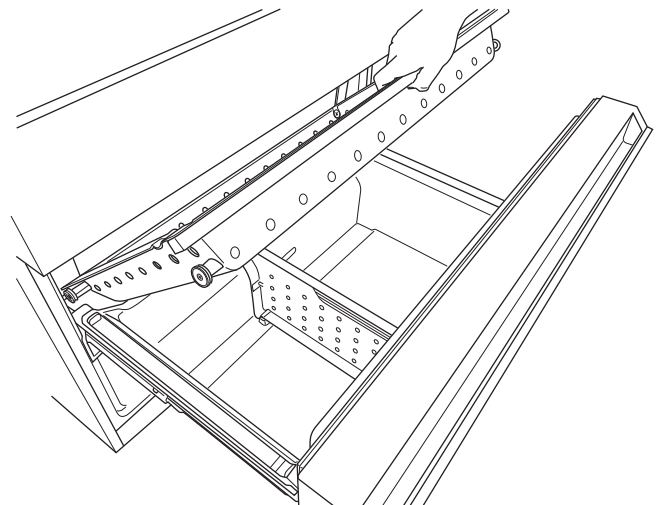
Para retirar:

1. Empuje la canasta del cajón superior del freezer hacia adelante, hasta que se encuentre fuera del carril del compartimiento del freezer. Levante mientras gira la canasta hacia arriba para su retiro.
2. Empuje la bandeja de pizza completamente hacia afuera y levante la misma hasta que quede libre para poder retirarla.
3. Presione la lengüeta sobre el soporte lateral derecho para retirar el estante de la puerta del freezer.
4. Levante suavemente la canasta del cajón inferior del freezer hacia atrás, luego hacia arriba y afuera del cajón.

Para reemplazarla:

1. Primero vuelva a colocar el cajón y gire el mismo del frente hacia abajo para que se apoye en el deslizador.

La canasta del cajón inferior del freezer deberá estar en su posición antes de instalar el cajón de pizza.



Hacer Hielo Automática

Puede llevar entre 12 y 24 horas que un refrigerador recién instalado comience a fabricar hielo.

⚠ ADVERTENCIA

Realice la conexión a un suministro de agua potable únicamente. Se requiere un suministro de agua fría para el funcionamiento de la máquina de hielos automática. La presión del agua deberá estar entre 40 y 120 psi (275-827 kilopascales).

Máquina de Hacer Hielo Automática*

La máquina de hacer hielo producirá siete cubos por ciclo, y aproximadamente entre 100 y 130 cubos en un período de 24 horas, dependiendo de la temperatura del compartimiento del freezer, la temperatura ambiente, la cantidad de veces que se abra la puerta y otras condiciones de uso.

La máquina de hacer hielo se llenará de agua cuando se enfríe y llegue a los 15°F (-10°C). Puede llevar entre 12 y 24 horas que un refrigerador recién instalado comience a fabricar hielo.

Si el refrigerador es utilizado antes de realizar las conexiones de la tubería de agua a la unidad o si el suministro de agua a un refrigerador en funcionamiento es apagado, asegúrese de que la máquina de hacer hielo esté apagada. Una vez que el agua haya sido conectada al refrigerador, la máquina de hacer hielo podrá ser encendida. Para más detalles, lea la tabla que aparece más abajo.

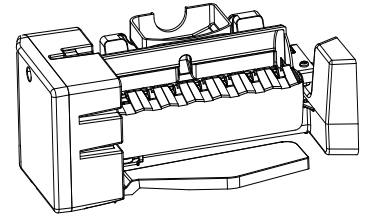
Es posible que escuche un zumbido cada vez que la máquina de hacer hielo se llene de agua.

Espere 1 o 2 días hasta que el balde se llene completamente de hielo.

Descarte las primeras cantidades de hielo para permitir que el suministro de agua se despeje.

Asegúrese de que nada interfiera con la extensión del brazo indicador.

Cuando el cubo se llene hasta el nivel del interruptor de energía, la máquina de hacer hielo dejará de producir hielo. Es normal que varios cubos queden juntos.



Si el hielo no se usa con frecuencia, los cubos de hielo viejos se volverán turbios, con sabor rancio y su tamaño se reducirá.

NOTA: En hogares con un nivel de presión inferior a la normal, es posible que escuche que la válvula de agua de la máquina de hacer hielo realice varios ciclos para producir una cantidad de hielo.

⚠ PRECAUCIÓN

Para minimizar el riesgo de lesiones personales, evite el contacto con las partes móviles del mecanismo eyector o con el elemento de calefacción que libera los cubos. No coloque los dedos ni las manos en el mecanismo de la máquina de hielo automática mientras el refrigerador esté enchufado.

Para colocar la máquina de hielo en ON/OFF (Encendido/ Apagado), presione el botón Ice Maker (Máquina de Hielo) en el panel de control superior.

Cuidado y Limpieza

Limpieza de la Parte Exterior

ACIER INOXYDABLE RÉSISTANT AUX EMPREINTES DIGITALES*, ACIER INOXYDABLE NOIR, ARDOISE, ARDOISE FONÇÉE, SURFACE PINTE, VIDRIO - Directives pour nettoyer les surfaces extérieures, les poignées de porte et les garnitures

⚠ N'utilisez PAS de nettoyeurs pour acier inoxydable sur les surfaces de porte. ⚠

IMPORTANT : L'utilisation de produits inappropriés peut endommager le fini extérieur de l'acier inoxydable résistant aux empreintes digitales et de l'acier inoxydable noir. Veuillez suivre ces instructions et utiliser seulement les articles appropriés ci-dessous pour nettoyer les surfaces de votre électroménager.

- Afin de prévenir leur détérioration, nettoyez les surfaces intérieure/extérieure avec de l'eau tiède, un savon ou un détergent doux, et un linge doux ou en microfibras.
- Afin de prévenir les rayures et les taches d'eau, séchez les surfaces de l'électroménager en les essuyant avec un chiffon doux propre ou un linge en microfibras.

UTILISER	NE PAS UTILISER	
Linge ou éponge doux et propres Chiffon en microfibras	Linges abrasifs, essuie-tout, éponges à récurer (avec ou sans savon), tampons à récurer ou en laine d'acier.	
Détergent doux dans eau chaude.	Poudres, liquides, ou vaporisateurs abrasifs. Vaporisateurs pour fenêtres, ammoniac ou javel Nettoyants à base d'agrumes ou de plantes. Nettoyants acides ou à base de vinaigre.	Nettoyants pour le four. Nettoyants alcalins Nettoyants pour acier inoxydable

*Élimine facilement manchas y huellas dactilares.

ACIER INOXYDABLE - Directives pour nettoyer les surfaces extérieures, les poignées de porte et les garnitures

REMARQUE : Ne laissez PAS un nettoyeur pour acier inoxydable venir au contact de pièces en plastique telles que garnitures, quincaillerie de poignée ou doublures. Si un contact non intentionnel d'un nettoyeur avec une pièce en plastique survient, nettoyez la pièce en plastique avec une éponge et un détergent doux mélangé dans l'eau chaude.

UTILISER	NE PAS UTILISER
Linge ou éponge doux et propres	Linges abrasifs, éponges à récurer, tampons à récurer ou en laine d'acier.
Détergent doux dans eau chaude. Nettoyants pour acier inoxydable approuvés; visitez la boutique de pièces GE Appliances pour des nettoyeurs pour acier inoxydable approuvés : cafeappliances.com/parts . On peut utiliser des nettoyeurs à base d'acide oxalique tels que Bar Keepers Friend Soft Cleanser™ pour éliminer la rouille de surface, le ternissement et les petites taches sur les surfaces en acier inoxydable seulement.	Poudres ou vaporisateurs abrasifs. Vaporisateurs pour fenêtres ou ammoniac. Nettoyants à base d'agrumes ou de plantes. Nettoyants acides ou à base de vinaigre. Nettoyants pour le four. Nettoyants qui contiennent de l'acétone (propanone). Tout nettoyeur avec AVERTISSEMENT relatif au contact du plastique.

Limpieza de la Parte Interior

Para evitar olores, deje abierta una caja de bicarbonato de sodio en los compartimientos del refrigerador y del freezer.

Desenchufe el refrigerador antes de limpiar.

Si esto no resulta práctico, estruje el exceso de humedad para eliminarlo de la esponja o tela al limpiar alrededor de los interruptores, luces o controles.

Use un pulidor de cera para electrodomésticos en la superficie interior entre las puertas.

Use agua caliente y solución de bicarbonato de sodio — aproximadamente una cuchara sopera (15 ml) de bicarbonato de sodio para un cuarto de galón (1 litro) de agua. Esto limpia y neutraliza los olores. Enjuague y seque.

Para limpiar el panel metálico interno*, abra la puerta externa usando la Traba de Puerta en Puerta. Limpie el panel con un

detergente suave y luego seque con una tela suave. No use ningún limpiador de acero inoxidable sobre el panel, ya que estos podrán dañar el plástico circundante.

⚠ PRECAUCIÓN

No limpie estantes de vidrio ni tapas con agua caliente cuando estén fríos. Los estantes de vidrio y las tapas se pueden romper si son expuestos a cambios de temperatura repentinos o impactos tales como sacudones o caídas. El vidrio templado está diseñado para destruirse en pequeñas piezas en caso de rotura.

No lave ninguna parte plástica del refrigerador en la lavadora de platos.

Cuidado y Limpieza

Limpieza de la Parte Interior (cont.)

Para Limpiar la Jarra de Llenado Automático

La jarra de llenado automático y la tapa son de uso seguro en lavavajillas. La tapa se deberá colocar en el estante superior únicamente, y la jarra en el estante inferior del lavavajillas. Lave las mismas con un lavado normal.

Para maximizar el rendimiento de su jarra de llenado automático, se recomienda enjuagar la misma en su totalidad luego del lavado, con el fin de eliminar todo el jabón residual.

Si su jarra de llenado automático estuvo en contacto con comida que puede generar descoloración (por ejemplo: ketchup de tomate, mostaza), limpie la jarra de inmediato. Esto permitirá evitar una posible descoloración de la jarra.

Si desea ordenar una jarra de llenado automático secundaria, visite www.geappliancesparts.com.

Detrás del Refrigerador

Tenga cuidado al alejar el refrigerador de la pared. Cualquier tipo de cobertura de piso puede ser dañada, particularmente las coberturas acolchonadas y aquellas con superficies con relieves.

Levante las patas niveladoras ubicadas en la parte frontal interior del refrigerador.

Empuje el refrigerador hacia afuera de forma recta y regrese el mismo a su posición empujándolo hacia adentro. Mover el refrigerador hacia una ubicación lateral podrá ocasionar daños sobre la cobertura del piso o el refrigerador.

Baje las patas niveladoras hasta que toquen el piso.

⚠️ ADVERTENCIA



RIESGO DE

DESCARGA ELÉCTRICA Al volver a empujar el refrigerador, asegúrese de que no atraviese el cable de corriente ni la tubería de suministro de agua.

Apagado y Reinicio del Refrigerador por Períodos Prolongados

Si estará de vacaciones o ausente por tiempo prolongado, retire la comida y desenchufe el refrigerador. Limpie el interior con una solución de bicarbonato de sodio de una cuchara sopera (15 ml) de bicarbonato de sodio para un cuarto de galón (1 litro) de agua. Deje las puertas abiertas.

Si la temperatura puede llegar a estar por debajo de la congelación, solicite a un técnico calificado que drene el sistema de suministro de agua a fin de prevenir daños graves sobre la propiedad debido a una inundación.

1) Apague el refrigerador (use los **CONTROLES**, página 7) o desenchufe el refrigerador.

- 2) Vacíe la hielera
- 3) Cierre el suministro de agua.

Si cierra el suministro de agua, apague la máquina de hacer hielo

Al regresar de sus vacaciones:

- 1) Reemplace el filtro de agua.
- 2) Descarte las primeras cantidades de hielo para permitir que el suministro de agua se despeje.

Preparación para la mudanza

Asegure todos los ítems tales como estantes y cajones, pegando los mismos de forma segura en sus respectivos lugares a fin de evitar daños.

Al usar un carro manual para mover el refrigerador, no deje que la parte frontal ni la parte trasera descansen contra el carro manual. Esto podría dañar el refrigerador.

Lleve el mismo sólo sobre los costados del refrigerador.

Asegúrese de que el refrigerador permanezca en una posición erguida durante el movimiento.

Reemplazo de las luces

Luces del Refrigerador (LEDs)

El aspecto puede variar dependiendo del modelo.

Hay una luz LED en el compartimiento de refrigerador y en la parte inferior de las puertas de comidas frescas para iluminar el compartimiento del freezer.*

Será necesario que un técnico autorizado reemplace las luces LED.

Si es necesario reemplazar este ensamble, visite cafeappliances.com/service para realizar un llamado al servicio técnico. En Canadá, visite cafeappliances.ca/service.

Instrucciones de Instalación

Refrigerador

¿Preguntas? Visite nuestro sitio web en: cafeappliances.com
 En Canadá, visite nuestro Sitio Web en: cafeappliances.ca

ANTES DE COMENZAR

Lea estas instrucciones en su totalidad y atentamente.

- **IMPORTANTE** — Cumpla con todos los códigos y ordenanzas gubernamentales. Conserve estas instrucciones para uso del inspector local.
- Nota para el Instalador – Asegúrese de que el Consumidor conserve estas instrucciones.
- Nota para el Comprador – Conserve estas instrucciones para referencia futura.
- Nivel de habilidad – La instalación de este electrodoméstico requiere un nivel básico de habilidades mecánicas.
- Tiempo de Instalación – La instalación del refrigerador puede variar de acuerdo con la Instalación de la Tubería de Agua en unos 30 minutos
- La correcta instalación del producto es responsabilidad del instalador.
- Si se producen fallas en el producto debido a una instalación inadecuada la Garantía no cubrirá las mismas.

PREPARACIÓN

CÓMO MOVER EL REFRIGERADOR EN UN ESPACIO INTERNO

Si el refrigerador no pasa por una puerta, la puertas del refrigerador y el cajón del freezer podrán ser retirados.

- Para retirar la puertas del refrigerador, consulte la sección Cómo Instalar el Refrigerador.
- Para retirar el cajón del freezer, consulte la sección Cómo Retirar el Cajón del Freezer.

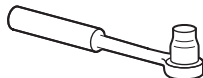
SUMINISTRO DE AGUA A LA MAQUINA DE HACER HIELO Y EL DISPENSADOR

Si el refrigerador cuenta con una máquina de hacer hielo, deberá ser conectada al suministro de agua fría. Un kit de suministro de agua de GE Appliances (que contenga tubería, válvula de cierre, uniones e instrucciones) está disponible por un costo adicional a nivel minorista, visitando nuestro sitio web en cafeappliances.com/parts (en Canadá en cafeappliances.ca/parts).

HERRAMIENTAS QUE PUEDE NECESITAR



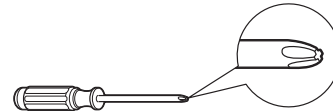
Llave Ajustable



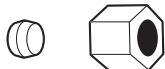
Trinquete / Destornillador de 3/8"



Llaves Allen de 1/8", 3/32", 1/4" y 5/32"



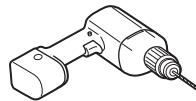
Destornillador con Cabeza Phillips



Tuerca de Compresión de Diámetro Externo y Abrazadera de Refuerzo (manga) de 1/4"



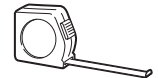
Lápiz



Broca y Taladro Eléctrico o Manual de 1/8"



Llave de Tuercas de 1/4"



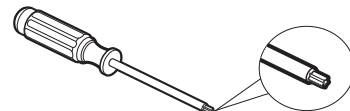
Cinta métrica



Pinzas



Destornillador con cabeza aplanada

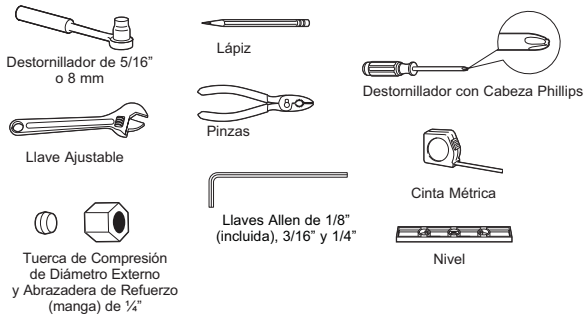


Llave Torx T20, T25



Nivel

HERRAMIENTAS QUE PUEDE NECESITAR



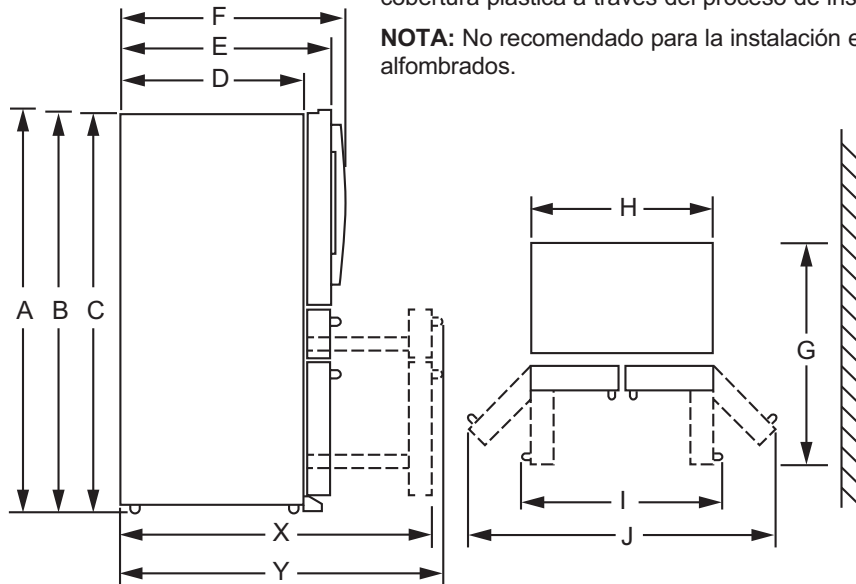
- Usando el siguiente cuadro, determine si el ancho de su pasillo es suficiente para la profundidad del refrigerador.
- Use un carro manual con almohadillas o correas móviles para transportar el refrigerador. Coloque el refrigerador en el carro manual, apoyando un costado contra este último.
- Recomendamos enfáticamente que dos personas realicen el traslado y completen la instalación.
- Deje la cinta, la película y otros restos de embalaje en el refrigerador hasta que éste se encuentre en su ubicación final.
- De ser necesario, consulte las secciones 2 a 5 en relación al retiro de manijas, puertas y cajones. De otro modo, pase a la sección 6.
- Tenga en cuenta las opciones de reciclaje del material de embalaje de su electrodoméstico.

NOTA: Se recomienda que el piso esté protegido por una cobertura plástica a través del proceso de instalación.

NOTA: No recomendado para la instalación en pisos alfombrados.

ESPACIO NECESARIO

Deje el siguiente espacio para facilitar la instalación, una adecuada circulación de aire y plomería y conexiones eléctricas.
 Costados 1/8" (3 mm)
 Parte superior 1" (25 mm)
 Parte trasera 2" (50 mm)



Dimensiones de la unidad de Profundidad Completa	Dimensiones de la unidad con puerta de Vidrio de Profundidad Completa
A = 70" (1775mm)	A = 70" (1775mm)
B = 69-13/16" (1773mm)	B = 69-13/16" (1772mm)
C = 68-5/8" (1743mm)	C = 68-5/8" (1743mm)
D = 29-1/2" (749 mm)	D = 29-1/2" (749 mm)
E = 34-1/4" (870m)	E = 34.0" (864mm)
F = 36-1/2" (927mm)	F = 34.0" (864mm)
G = 48-3/8" (1229mm)	G = 48-3/8" (1229mm)
H = 35-5/8" (905mm)	H = 35-5/8" (905mm)
I = 44-3/8" (1127mm)	I = 39-1/2" (1003mm)
J = 60-3/8" (1534mm)	J = 59-1/4" (1505mm)
X = 53-17/32" (1360mm)	X = 53-9/32" (1353mm)
Y = 55-3/4" (1416mm)	Y = 53-9/32" (1353mm)

Instrucciones de Instalación

CÓMO MOVER EL REFRIGERADOR

- Usando el siguiente cuadro, determine si el ancho de su pasillo es suficiente para la profundidad del refrigerador. Asegúrese de contar con espacio para evitar daños sobre el refrigerador antes de moverlo de forma segura hasta su ubicación final.
- Si los pasillos son lo suficientemente grandes como para ubicar el refrigerador sin retirar las manijas, continúe con el Paso 6. Deje la cinta, la envoltura y todo el embalaje en las puertas hasta que el refrigerador se encuentre en la ubicación final.
- **NOTA:** Use un carro manual con almohadillas o correas móviles para transportar el refrigerador. Coloque el refrigerador en el carro manual, apoyando un costado contra este último. Recomendamos enfáticamente que dos personas realicen el traslado y completen la instalación.

Si la abertura posee dimensiones inferiores a la siguientes, retire las piezas de la puerta en orden, hasta que la dimensión sea inferior a la abertura.	
	CGE
Totalmente Ensamblado	37-1/8" (943 mm)
Retire las Manijas	34-9/16" (878 mm)
Retire las Puertas	32-1/4" (819 mm)
Retire la Bisagra Central	29-3/4" (755 mm)

Instrucciones de Instalación

CÓMO INSTALAR EL REFRIGERADOR

REFRIGERATOR LOCATION

- Do not install the refrigerator where the temperature will go below 60°F (16°C) because it will not run often enough to maintain proper temperatures.
- Do not install the refrigerator where the temperature will go above 100°F (37°C) because it will not perform properly.
- Do not install the refrigerator in a location exposed to water (rain, etc.) or direct sunlight.
- Install it on a floor strong enough to support it fully loaded.

ESPACIO NECESARIO

Deje el siguiente espacio para facilitar la instalación, una adecuada circulación de aire y plomería y conexiones eléctricas.

Costados 1/8" (3 mm)

Parte superior 1" (25 mm)

Parte trasera 2" (50 mm)

CÓMO RETIRAR LAS PUERTAS DEL REFRIGERADOR

- **NOTA IMPORTANTE:** Este refrigerador posee una profundidad de 37-1/8" (943 mm). Las puertas y pasillos que conducen a la ubicación de la instalación deberán tener por lo menos 37-1/8" (943 mm) de ancho, a fin de poder dejar las puertas y manijas adheridas al refrigerador mientras se lo transporta hasta la ubicación de la instalación. Si los pasillos poseen menos de 37-1/8" (943 mm), las puertas y las manijas del refrigerador se podrán rayar y dañar fácilmente. La tapa superior y las puertas podrán ser retiradas, a fin de permitir que el refrigerador sea movido de forma segura en áreas interiores. Si los pasillos poseen menos de 34-9/16" (878 mm), comience por el Paso 1.
- Si no es necesario retirar las puertas, continúe con el Paso 11. Deje la cinta y todo el embalaje en las puertas hasta que el refrigerador se encuentre en su ubicación final.
- **NOTA:** Use un carro manual para transportar el refrigerador. Coloque el refrigerador en el carro manual, apoyando un costado contra este último. Recomendamos enfáticamente que DOS PERSONAS realicen el traslado y completen la instalación.

1 INSTALACIÓN DE LAS MANIJAS DEL REFRIGERADOR Y DEL FREEZER (en algunos modelos)

Antes de Comenzar...

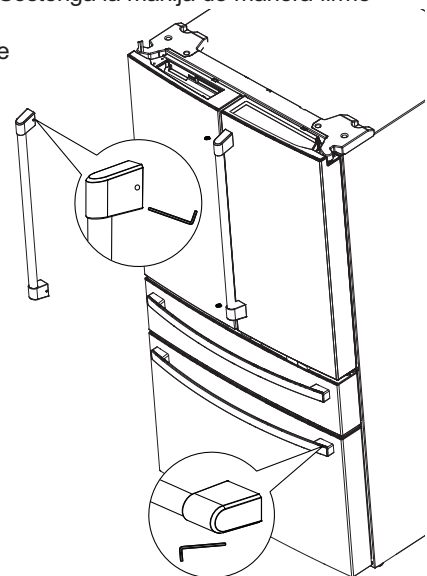
- Para evitar lesiones, use un calzado cerrado en la parte de los dedos de los pies al instalar las manijas.
- Al instalar la manija, tome la misma de manera firme para asegurarse de que no caiga ni raye el acabado del electrodoméstico.
- **IMPORTANTE:** Para asegurarse de que las manijas se encuentren instaladas de forma precisa, por favor revise las instrucciones y gráficos antes de comenzar con las instalaciones.
- **IMPORTANTE:** No use herramientas eléctricas para colocar los tornillos de ajuste.

Herramientas Provistas:

- Llave hexagonal de 1/8"

La estética de las manijas podrá variar de acuerdo al modelo; sin embargo, el proceso de instalación es el mismo.

1. Retire cualquier película protectora de los frentes de puertas o cajones antes de realizar la instalación de las manijas (si corresponde).
2. Retire la manija del embalaje y encuentre la llave hexagonal de 1/8" provista.
3. Coloque la manija sobre los suspensores de montaje hasta que se encuentre nivelada contra la superficie de la puerta.
4. Ajuste ambos tornillos en las capas de terminación de la manija, girando la llave hexagonal 1/8" en sentido horario, hasta que la manija deje de estar floja o caiga de su montaje. Aún no ajuste completamente.
5. **IMPORTANTE:** Sostenga la manija de manera firme contra la puerta, asegúrese de que no haya brechas entre las tapas de terminación de la manija y la puerta, y entonces ajuste completamente los tornillos.



Para retirar las manijas, invierta el proceso de instalación.

Instrucciones de Instalación

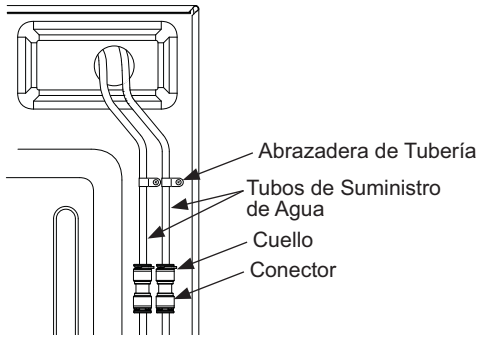
CÓMO INSTALAR EL REFRIGERADOR (Cont.)

2 RETIRE LA PUERTA DEL LADO IZQUIERDO

⚠ ADVERTENCIA

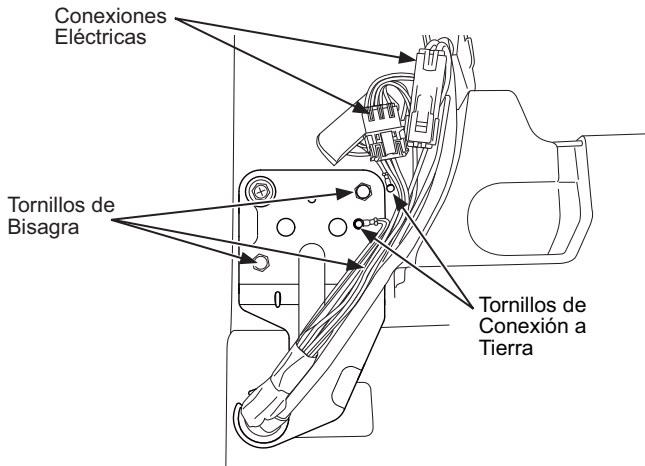
Siga todos los pasos para retirar y volver a instalar la puerta. Si no se siguen estas instrucciones, dejando piezas sin uso o ajustando tornillos en exceso, esto podrá hacer que la puerta se caiga y producir lesiones y daños sobre la propiedad.

1. Retire los dos tubos de agua de los conectores sobre la parte trasera de la carcasa.



- Afloje y retire la abrazadera(s) del tubo que sostiene la tubería de suministro de agua sobre la parte trasera del refrigerador.
- Retire el cuello negro del conector de la tubería de suministro de agua en la parte trasera derecha del refrigerador.
- Presione la lengüeta blanca hacia abajo y separe la tubería del suministro de agua del conector.

2. Retire la tapa de la bisagra izquierda, retirando los 2 tornillos de la tapa de la bisagra con un destornillador de cabeza Phillips y levantando la misma desde el lado izquierdo. Desconecte los conectores eléctricos y empuje la tubería de suministro de agua de la máquina de hielo a través de la carcasa.



3. De forma segura, encinte la puerta cerrada con cinta de mascarar o pídale a otra persona que sostenga la puerta.
4. Retire los tornillos que sostienen la bisagra con un adaptador de 5/16". Levante la bisagra del refrigerador y de la puerta.

2 RETIRE LA PUERTA DEL LADO IZQUIERDO (cont.)

NOTA: Para una instalación posterior adecuada, siga el siguiente paso de forma cuidadosa.

- Retire la cinta manteniendo la puerta lo más derecha posible, y luego levante la misma para retirarla.

⚠ PRECAUCIÓN

Riesgo al levantar la puerta

La puerta del freezer es pesada. Use ambas manos para asegurar la puerta antes de levantar la misma.

3 RETIRE LA PUERTA DEL LADO DERECHO

- Retire la tapa de la bisagra derecha.
- De forma segura, encinte la puerta cerrada con cinta de mascarar o pídale a otra persona que sostenga la puerta.
- Retire los tornillos que sostienen la bisagra con un adaptador de 5/16". Levante la bisagra del refrigerador y de la puerta.

Para una instalación posterior adecuada, siga los próximos pasos de forma cuidadosa:

- Retire la cinta manteniendo la puerta lo más derecha posible, y luego levante la misma para retirarla.

⚠ PRECAUCIÓN

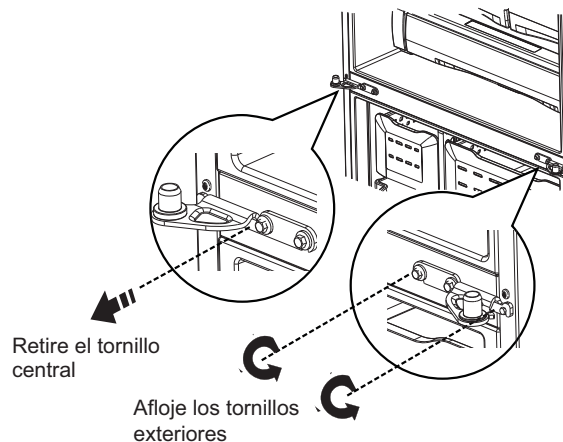
Riesgo al levantar la puerta

La puerta del freezer es pesada. Use ambas manos para asegurar la puerta antes de levantar la misma.

To reassemble doors, reverse removal steps.

4 RETIRE LA BISAGRA CENTRAL (si es necesario)

Retire los tornillos que aseguran la bisagra al gabinete. Los tornillos interiores necesitan un adaptador de 5/16". Para el tornillo exterior es necesaria una llave Phillips n°2..

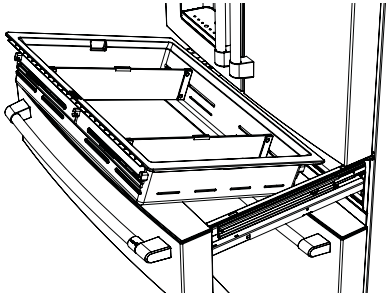


Instrucciones de Instalación

CÓMO INSTALAR EL REFRIGERADOR (Cont.)

5 RETIRO DEL CAJÓN CONVERTIBLE (en algunos modelos)

1. Retire la canasta del cajón convertible levantando la misma mientras gira la canasta hacia arriba.

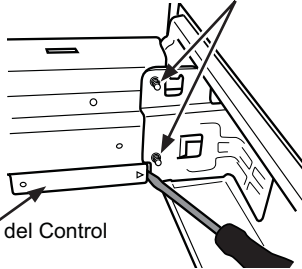


2. Desconecte la conexión de control de cableado cajón convertible.

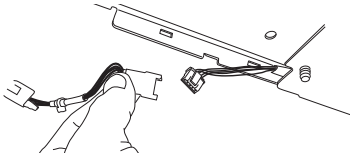
- Utilizando un tornillo de cabeza plana, retire la tapa sobre los conectores eléctricos en la parte interior derecha del marco del cajón. La tapa se engancha a través del marco del cajón hacia la parte interior del refrigerador.

Retire estos tornillos

Tapa de Conexión del Control



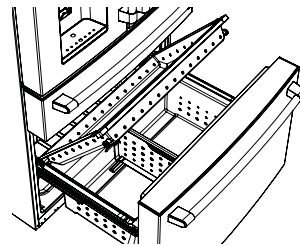
- Presione la lengüeta en el centro del conector para realizar la separación.



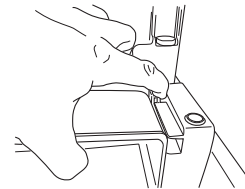
3. Retire los 2 tornillos a cada lado del marco con un adaptador de 5/16".
4. Retire la puerta levantando los ganchos.

6 RETIRE LA BANDEJA DE PIZZA Y LA CANASTA INFERIOR DEL FREEZER (en algunos modelos)

1. Presione la canasta del cajón superior del freezer totalmente hacia adentro del compartimiento del freezer.
2. Empuje la bandeja de pizza completamente hacia afuera y levante la misma hasta que quede libre para poder retirarla.



3. Presione la lengüeta sobre el soporte lateral derecho para retirar el estante de la puerta del freezer.



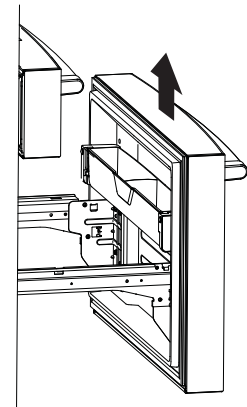
4. Levante la canasta del cajón del freezer inferior levemente hacia atrás, luego hacia arriba y afuera del cajón.
5. Empuje la canasta inferior y deslice el mecanismo hasta su extensión completa usando ambas manos.
6. Retire la canasta que se apoya sobre los deslizadores.

7 RETIRE EL CAJÓN DEL FREEZER (en algunos modelos)

1. Abra la puerta del freezer hasta su extensión completa.
2. Retire los dos tornillos a cada lado del marco con un adaptador de 5/16".

⚠ PRECAUCIÓN Riesgo

al levantar la puerta La puerta del freezer es pesada. Use ambas manos para asegurar la puerta antes de levantar la misma.

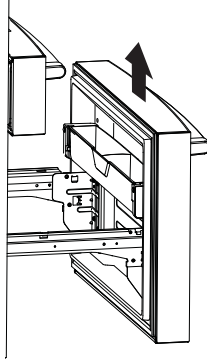


Instrucciones de Instalación

CÓMO INSTALAR EL REFRIGERADOR (Cont.)

7 RETIRE EL CAJÓN DEL FREEZER (en algunos modelos)

3. Retire la puerta levantando los ganchos.



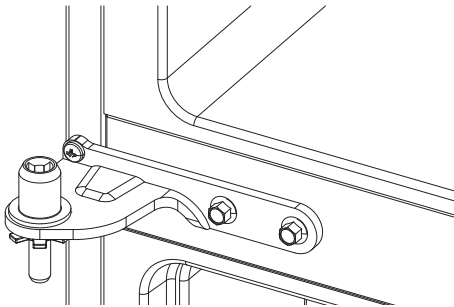
4. Vuelva a empujar los deslizadores de la canasta inferior hasta que el mecanismo de deslizamiento se retraiga automáticamente.

8 RETIRE LA PUERTA DEL LADO INFERIOR IZQUIERDO (en algunos modelos)

⚠ ADVERTENCIA

Siga todos los pasos para retirar y volver a instalar la puerta. Si no se siguen estas instrucciones, dejando piezas sin uso o ajustando tornillos en exceso, esto podrá hacer que la puerta se caiga y producir lesiones y daños sobre la propiedad.

1. De forma segura, encinte la puerta cerrada con cinta de mascarar o pídale a otra persona que sostenga la puerta.



2. Retire la bisagra central con una llave de 5/16" y un destornillador con cabeza Phillips.
3. Retire la cinta manteniendo la puerta lo más derecha posible, y luego levante la misma para retirarla.

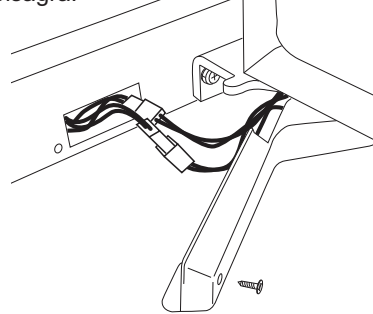
⚠ PRECAUCIÓN

Riesgo al levantar

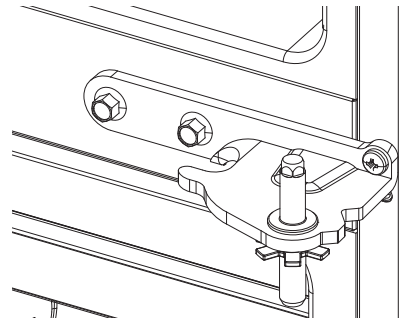
la puerta Si es levantada por una sola persona, podrían ocasionarse lesiones. Solicite ayuda al sostener, mover o levantar las puertas del refrigerador

9 RETIRE LA PUERTA DEL LADO INFERIOR DERECHO (en algunos modelos)

1. Abra la puerta del lado inferior derecho a 90°.
2. Retire la tapa de la bisagra inferior retirando el destornillador con cabeza Phillips y destrabando la tapa de la bisagra.



3. Desconecte los 2 arneses.
4. De forma segura, encinte la puerta cerrada con cinta de mascarar o pídale a otra persona que sostenga la puerta.
5. Retire la bisagra central con una llave de 5/16" y un destornillador con cabeza Phillips.



6. Retire la cinta manteniendo la puerta lo más derecha posible, y luego levante la misma para retirarla.

⚠ PRECAUCIÓN

Riesgo al Levantar

La puerta del freezer es pesada. Use ambas manos para asegurar la puerta antes de levantar la misma.

1. Empuje el mecanismo de deslizamiento de la canasta inferior hasta su extensión completa con ambas manos.
2. Levante la puerta del freezer y alinee los ganchos con las ranuras de los mecanismos de deslizamiento.
NOTA: Coloque un lado dentro primero, y luego alinee el otro lado.
3. Reemplace los tornillos de colocación y ajuste los mismos con giros de torsión de 65 libras pulgada (7.34 N-m).

Para volver a ensamblar las puertas, invierta los pasos de retiro. Asegúrese de que los cables pasen a través de la bisagra inferior del lado derecho.

Instrucciones de Instalación

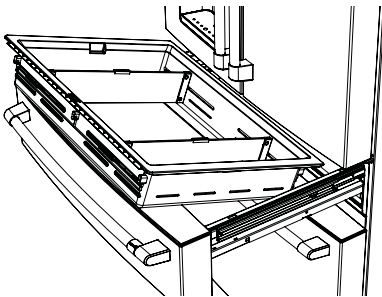
CÓMO INSTALAR EL REFRIGERADOR (Cont.)

10 RETIRE LA BISAGRA INFERIOR (si es necesario) (en algunos modelos)

Retire los tornillos que aseguran la bisagra al gabinete. Los tornillos interiores necesitan una cavidad de 5/16". Para el tornillo exterior es necesaria una llave Phillips n° 2.

11 VUELVA A INSTALAR EL CAJÓN CONVERTIBLE (on some models)

Para volver a ensamblar las puertas, invierta los pasos de retiro. La canasta del cajón convertible quedará floja si se vuelve a instalar en la dirección contraria. Como ayuda para volver a realizar la instalación, observe el estampado "FRONT" (frontal).

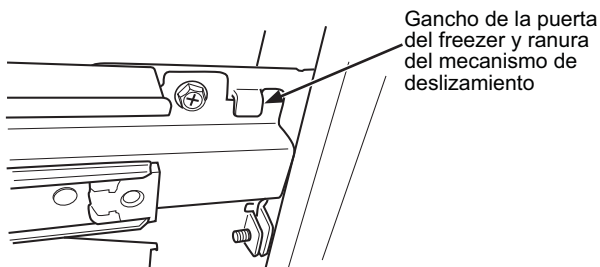


12 REEMPLAZO DE LA PUERTA DEL FREEZER (en algunos modelos)

⚠ PRECAUCIÓN Riesgo al levantar la puerta

La puerta del freezer es pesada. Use ambas manos para asegurar la puerta antes de levantar la misma.

1. Empuje la canasta inferior y deslice el mecanismo hasta su extensión completa usando ambas manos.
2. Levante la puerta del freezer y alinee los ganchos con las ranuras sobre los mecanismos de deslizamiento.

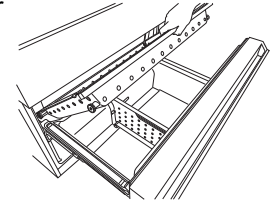


NOTA: Coloque un lado primero, y luego alinee el otro lado.

3. Reemplace los tornillos adheridos y ajuste los mismos con giros de torsión de 65 libras pulgada (7.34 N-m).

13 VUELVA A INSTALAR LA BANDEJA DE PIZZA Y LA CANASTA INFERIOR DEL FREEZER (en algunos modelos)

1. Vuelva a instalar la canasta inferior del freezer primero, y luego vuelva a instalar el cajón de pizza.
2. Controle que las canastas funcionen de forma correcta.
3. Vuelva a instalar el cajón del freezer, colocando las ruedas del cajón sobre la parte superior del riel montado sobre el lateral de las paredes del freezer. Las ruedas del cajón del freezer deberán estar sobre los laterales de la canasta inferior.



14 VUELVA A INSTALAR LAS PUERTAS INFERIORES DEL LADO IZQUIERDO Y DERECHO (en algunos modelos)

⚠ ADVERTENCIA

Siga todos los pasos para retirar y volver a instalar la puerta. Si no se siguen estas instrucciones, dejando piezas sin uso o ajustando tornillos en exceso, esto podrá hacer que la puerta se caiga y producir lesiones y daños sobre la propiedad.

⚠ PRECAUCIÓN

Riesgo al levantar

la puerta Si es levantada por una sola persona, podrían ocasionarse lesiones. Solicite ayuda al sostener, mover o levantar las puertas del refrigerador.

1. Vuelva a instalar las bisagras inferiores primero (si es necesario) y dé a los tornillos de 5/16" un giro de 65 pulgadas libra (7.35 N-m) y a los tornillos pequeños un giro de 25 pulgadas libra (2.82 N-m). Dar al tornillo 1/3 de giro una vez nivelado con la superficie de acoplamiento hará que se logren realizar estos giros.
2. Con la puerta a 90° hacia el frente de la carcasa, baje la puerta del refrigerador sobre la bisagra inferior, empujando con cuidado el arnés a través de la bisagra del lado derecho. Cierre la puerta y asegure la misma con cinta.
3. Vuelva a instalar la bisagra central de acuerdo con el paso n°1 descrito más arriba.
4. Retire la cinta.
5. Abra la puerta inferior del lado derecho a 90°.
6. Conecte los dos arneses.
7. Reemplace ambas tapas de la bisagra inferior (si es necesario).

Instrucciones de Instalación

CÓMO INSTALAR EL REFRIGERADOR (Cont.)

15 VUELVA A INSTALAR LAS PUERTAS SUPERIORES DEL LADO IZQUIERDO Y DERECHO

⚠ ADVERTENCIA

Siga todos los pasos para retirar y volver a instalar la puerta. Si no se siguen estas instrucciones, dejando piezas sin uso o ajustando tornillos en exceso, esto podrá hacer que la puerta se caiga y producir lesiones y daños sobre la propiedad.

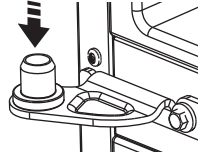
⚠ PRECAUCIÓN

Riesgo al levantar

la **puerta** Si es levantada por una sola persona, podrían ocasionarse lesiones. Solicite ayuda al sostener, mover o levantar las puertas del refrigerador.

1. Vuelva a instalar la bisagra central primero y dé al tornillo de 1/4" una torsión de 65 pulgadas libra (7.34 N-m) y al tornillo pequeño 25 pulgadas libra (2.82 N-m). Dar al tornillo 1/3 de giro una vez nivelado con la superficie de acoplamiento hará que se logren realizar estos giros.

2. Baje la puerta del refrigerador hasta la bisagra central.
3. De forma segura, encinte la puerta cerrada con cinta de mascarar o pídale a otra persona que sostenga la puerta.
4. La reinstalación se realiza invirtiendo las instrucciones de retiro.
5. Asegúrese de reinstalar el cable a tierra y el amortiguador de refuerzo a la bisagra superior.
6. Vuelva a instalar la tapa de la bisagra. **NOTA:** Asegúrese de que los cables no sufran cortes ni queden debajo de tornillos antes de ajustar estos últimos.



16 CÓMO CONECTAR EL REFRIGERADOR AL SUMINISTRO DE AGUA DEL HOGAR

Se requiere un suministro de agua fría para el funcionamiento de la máquina de hielo automática. Si no se cuenta con un suministro de agua fría, deberá proveer uno. Consulte la sección sobre Cómo Instalar el Suministro de Agua.

NOTAS:

- Antes de realizar la conexión al refrigerador, asegúrese de que el cable de corriente del mismo no se encuentre enchufado al tomacorriente.
 - Si su refrigerador no cuenta con un filtro de agua, le recomendamos que instale uno si el suministro de agua posee arena o partículas que podrían atascar la rejilla de la válvula de agua del refrigerador. Instale el mismo en la tubería de agua más cercana al refrigerador. Si usará el Kit de Tuberías para Refrigeradores de SmartConnect™, necesitará una tubería adicional (WX08X10002) para realizar la conexión al filtro. No corte la tubería de plástico para instalar el filtro.
 - Antes de conectar la tubería de agua al hogar, purgue la cañería del hogar durante por lo menos 2 minutos.
1. Si usará una tubería de cobre, coloque una tuerca de compresión y una abrazadera de refuerzo (mango) en el extremo de la tubería proveniente del suministro de agua fría del hogar. Si usará tuberías de SmartConnect™, las tuercas ya están ensambladas en la tubería.

2. Si usará tuberías de cobre, inserte el extremo de la tubería en la conexión del refrigerador, en la parte trasera del refrigerador, lo más lejos posible. Al sostener la tubería, ajuste la unión. Si usará tuberías de SmartConnect™, inserte el extremo moldeado de la tubería en la conexión del refrigerador, en la parte trasera del refrigerador, y ajuste la tuerca de compresión hasta que quede ajustada manualmente. Luego realice un ajuste adicional con un giro de llave. Un ajuste excesivo podrá ocasionar pérdidas.
3. Ajuste la tubería en la abrazadera provista para sostener la misma en la posición correcta. Será necesario que abra la abrazadera haciendo palanca.

⚠ ADVERTENCIA

Realice la conexión a un suministro de agua potable únicamente.

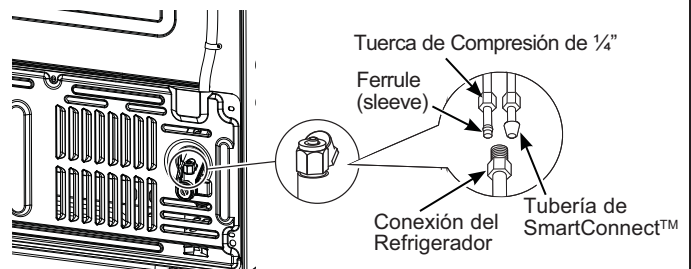
Se requiere un suministro de agua fría para el funcionamiento de la máquina de hielos automática. La presión del agua deberá estar entre 40 y 120 psi (275-827 kilopascales).

⚠ ADVERTENCIA



PELIGRO DE DESCARGA ELÉCTRICA

Adhiera la abrazadera de la tubería usando el agujero existente únicamente. NO perforo el refrigerador.

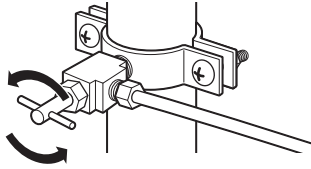


Instrucciones de Instalación

CÓMO INSTALAR EL REFRIGERADOR (Cont.)

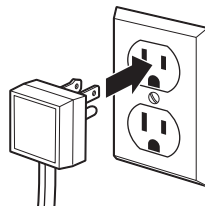
17 ABRA EL SUMINISTRO DE AGUA

Abra el suministro de agua usando la válvula de cierre (suministro de agua hogareño) y controle que no haya pérdidas.



18 ENCHUFE EN EL REFRIGERADOR

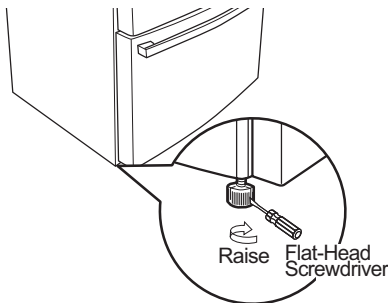
Consulte la información de conexión a tierra adjunta con el cable de corriente.



19 NIVELACIÓN DEL REFRIGERADOR

Las patas niveladoras poseen 2 propósitos:

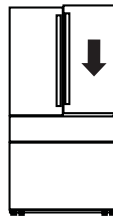
1. Las patas niveladoras se ajustan de modo que el refrigerador quede posicionado de manera firme en el piso y no se tambalee.
 2. Las patas niveladoras sirven como freno estabilizador para sostener el refrigerador de forma segura en su posición durante el funcionamiento y la limpieza. Las patas niveladoras también evitan la caída del refrigerador.
- Gire las patas niveladoras en dirección de las agujas del reloj para levantar el refrigerador, en contra de las agujas del reloj para bajarlo.



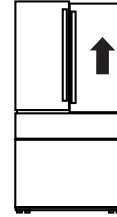
AVISO: A fin de evitar posibles daños sobre la propiedad, las patas niveladoras deberán estar tocando el piso de manera firme.

20 NIVELACIÓN DE LAS PATAS DEL REFRIGERADOR

Recuerde que es necesario que el refrigerador esté nivelado para que las puertas estén perfectamente apoyadas. Si necesita ayuda, revise la sección previa sobre nivelación del refrigerador.



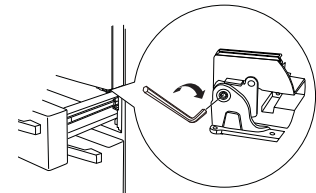
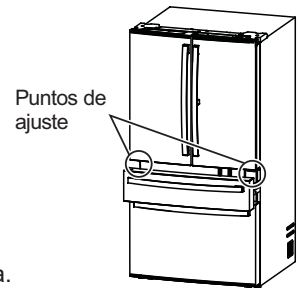
Cuando la puerta izquierda está más abajo que la puerta derecha.



Cuando la puerta izquierda está más arriba que la puerta derecha.

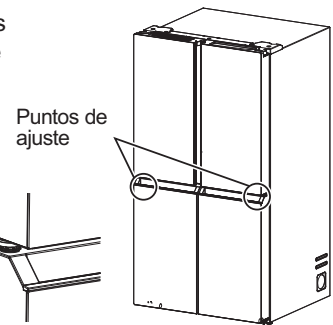
Para modelos con 2 cajones:

1. Acceda a los tornillos de la bisagra abriendo el cajón convertible.
2. Inserte una llave Allen de 1/4" en el hueco de la bisagra central.
3. Ajuste la altura girando en dirección horaria o antihoraria. Al girar en dirección antihoraria, la puerta se moverá hacia arriba.



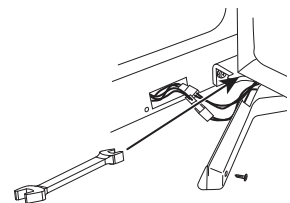
Para los modelos de 4 puertas:

Usando una llave de tuercas de 1/4" o un destornillador de cabeza plana, gire la rueda ranurada para ajustar las puertas hacia arriba o hacia abajo.



Para ajustar la altura de las puertas inferiores:

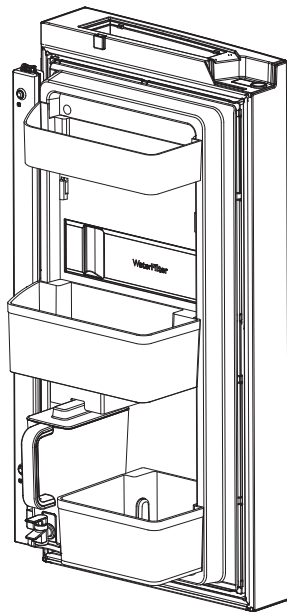
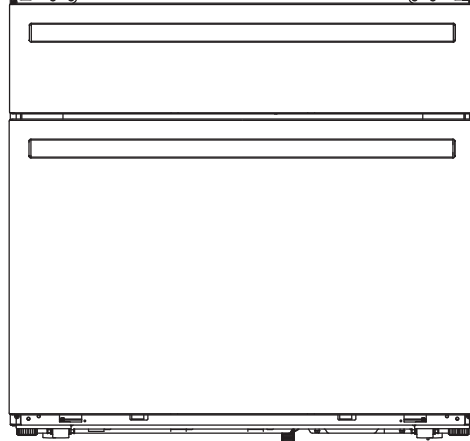
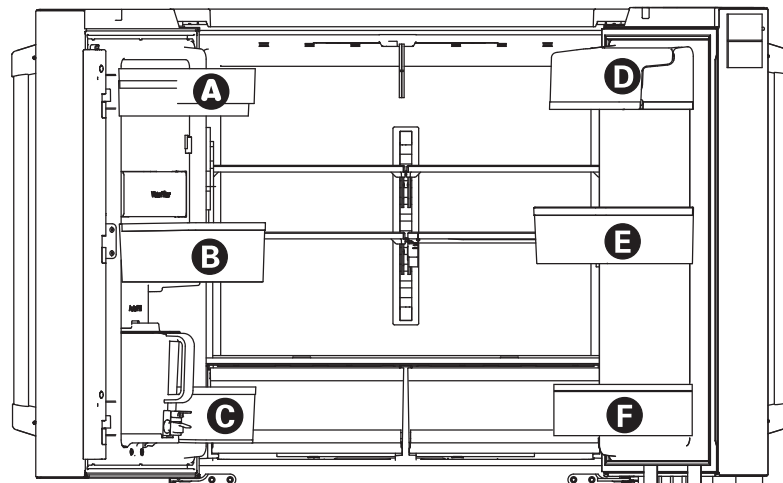
- Retire las tapas del lado izquierdo y del lado derecho con un destornillador de cabeza Phillips, y luego use una llave de tuercas de 9/16" para ajustar las puertas hacia arriba o hacia abajo.



Instrucciones de Instalación

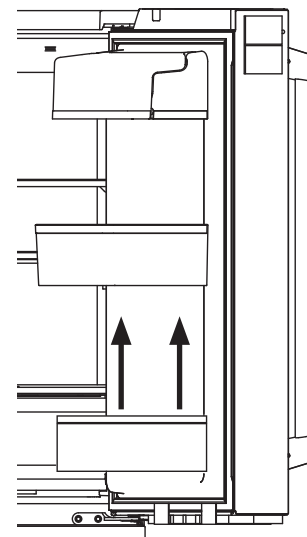
CÓMO INSTALAR EL REFRIGERADOR (Cont.)

Modèlo CGE



Coloque los recipientes en las puertas:

- 1 Enlace su recipiente con la letra mostrada. Posicione los ganchos del recipiente sobre el ubicador del recipiente y empuje hacia adelante hasta que se inserte completamente.
- 2 Empuje el recipiente hacia abajo hasta que se bloquee en su posición.



Instrucciones de Instalación

CÓMO INSTALAR LA TUBERÍA DE AGUA

ANTES DE COMENZAR

Los kits de suministro de agua de cobre recomendados son WX8X2, WX8X3 o WX8X4, dependiendo de la cantidad de tubería necesaria. Las tuberías de suministro de agua de plástico aprobadas son las Tuberías para Refrigerador de SmartConnect™ (WX08X10006, WX08X10015 y WX08X10025).

Al conectar su refrigerador a un Sistema de Agua por Ósmosis Inversa de GE Appliances, la única instalación aprobada es con el Kit GE Appliances RV. Con otros sistemas de agua por ósmosis inversa, siga las recomendaciones del fabricante.

Si el suministro de agua al refrigerador es de un Sistema de Filtración de Agua por Ósmosis Inversa (RO) Y el refrigerador también cuenta con un filtro de agua, use el tapón del bypass del filtro del refrigerador. Cómo usar el tapón del bypass del filtro del Refrigerador. El uso del cartucho de filtración de agua del refrigerador junto con un filtro de agua RO podrá producir cubos de hielo huecos. Algunos modelos no están equipados con el tapón del bypass gratuito, llame al 800.692.6630 y solicite el tapón del bypass del filtro WR17X33825. En Canadá, llame al 800.561.3344.

Esta instalación de la tubería de agua no posee garantía del fabricante del refrigerador o de la máquina de hacer hielo. Siga estas instrucciones con cuidado, a fin de minimizar el riesgo de daños caros sobre el agua.

Los golpes de ariete (agua que golpea las tuberías) en la plomería del hogar pueden ocasionar daños sobre las piezas del refrigerador y generar pérdidas de agua o inundación. Llame a un plomero calificado para corregir los golpes de ariete antes de instalar la tubería de suministro de agua al refrigerador.

A fin de evitar quemaduras y daños sobre los productos, no adhiera la tubería de agua a la tubería de agua caliente.

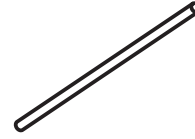
Si el refrigerador es utilizado antes de haber realizado la conexión de agua a la máquina de hacer hielo, consulte la sección de Controles en la página 7 para apagar la máquina de hacer hielo.

No instale la tubería de la máquina de hacer hielo en áreas donde las temperaturas lleguen a estar bajo cero.

Al usar un dispositivo eléctrico (tal como un taladro eléctrico) durante la instalación, asegúrese de que el dispositivo cuente con doble aislación o que esté conectado a tierra de modo que se eviten riesgos de descargas eléctricas, o que sea cargados a través del uso de una batería.

Todas las instalaciones de deben realizar de acuerdo con los requisitos indicados en el código local de plomería.

LO QUE NECESITARÁ



- Kit de Tubería para Refrigerador de Cobre o SmartConnect™ de ¼" de diámetro externo para conectar el refrigerador al suministro de agua. Si usará cobre, asegúrese de que ambos extremos de la tubería hayan sido cortados de forma recta.

A fin de determinar cuánta tubería es necesaria: mida la distancia desde la válvula de agua en la parte trasera del refrigerador hasta la tubería del suministro de agua. Asegúrese de que haya suficiente tubería adicional para permitir que el refrigerador pueda ser retirado de la pared luego de la instalación.

Los Kits de Tuberías para Refrigerador de SmartConnect™ están disponibles en las siguientes longitudes:

8' (2.4 m)	– WX08X10006
15' (4.6 m)	– WX08X10015
25' (7.6 m)	– WX08X10025

⚠ ADVERTENCIA

Realice la conexión a un suministro de agua potable únicamente.

Se requiere un suministro de agua fría para el funcionamiento de la máquina de helos automática. La presión del agua deberá estar entre 40 y 120 psi (275-827 kilopascales).

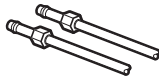
Instrucciones de Instalación

CÓMO INSTALAR LA TUBERÍA DE AGUA (Cont.)

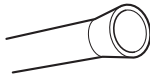
LO QUE NECESITARÁ (Cont.)

NOTA: La única tubería plástica aprobada es aquella provista con los Kits de Tuberías para Refrigerador de SmartConnect™. No use ningún otro suministro de agua plástico, ya que el suministro se encuentra bajo presión en todo momento. Ciertos tipos de plásticos podrán sufrir fisuras o roturas con el paso del tiempo y ocasionar problemas con el agua en su hogar.

- Un kit de suministro de agua (el cual contiene tubería, válvula de cierre y uniones que figuran en la lista siguiente) está disponible por un costo adicional a través de su vendedor minorista o cafeappliances.com/parts. (En Canadá, cafeappliances.ca/parts).
- Un suministro de agua fría. La presión del agua deberá estar entre 20 y 120 p.s.i. (barra 1.4-8.1).
- Taladro eléctrico.
- 1/2" o llave ajustable.
- Destornillador de punta plana o Phillips.



- 2 abrazaderas de compresión (mangas) y dos tuercas de compresión de 1/4" de diámetro externo – para conectar la tubería de cobre a la válvula de cierre y a la válvula de agua del refrigerador.
- Si usará un kit de Tuberías para Refrigerador de SmartConnect™, las uniones necesarias están preensambladas a la tubería.



- Si su tubería de agua de cobre existente posee una unión con avellanado en su extremo, necesitará un adaptador (disponible en las tiendas de suministros) para conectar la tubería de agua al refrigerador O puede cortar la unión con avellanado con un cortador de tubo y luego usar una unión de compresión. No corte los extremos con forma de la tubería para refrigerador de SmartConnect™.
- Cierre la válvula para conectar a la tubería de agua fría. La válvula de cierre debería tener una entrada de agua con un diámetro interior mínimo de 5/32" en el punto de conexión a la TUBERÍA DE AGUA FRÍA. Las válvulas de cierre tipo montura están incluidas en muchos kits de suministro de agua. Antes de su adquisición, asegúrese de que la válvula tipo montura cumpla con los códigos de plomería locales.



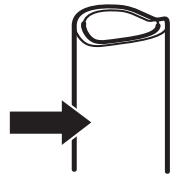
Instale la válvula de cierre en la tubería de agua potable de uso frecuente más cercana.

1 CIERRE EL SUMINISTRO DE AGUA PRINCIPAL

Encienda la canilla más cercana que sea lo suficientemente larga para despejar la tubería de agua.

2 ELIJA LA UBICACIÓN DE LA VÁLVULA

Elija una ubicación para la válvula que sea de fácil acceso. Es mejor conectar la misma en el lateral de una tubería de agua vertical. Cuando sea necesario conectarla en una tubería de agua horizontal, realice la conexión a la parte superior o lateral, en vez de la parte inferior, a fin de evitar el drenaje de cualquier sedimento de la tubería de agua.

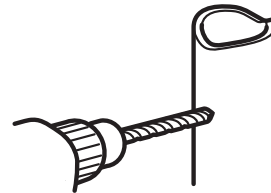


3 TALADRE EL AGUJERO DE LA VÁLVULA

Taladre un agujero de 1/4" en la tubería de agua (incluso si usará una válvula auto-perforante), usando una punta afilada. Elimine cualquier zumbido que resulte de haber taladrado el agujero en la tubería.

Tenga cuidado de no permitir que el agua se drene en el taladro.

Si no se taladra un agujero de 1/4" se podrá ver reducida la producción de hielo o los cubos de hielo podrán ser más pequeños.

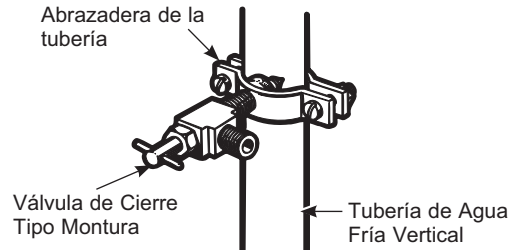


Instrucciones de Instalación

CÓMO INSTALAR LA TUBERÍA DE AGUA (Cont.)

4 AJUSTE LA VÁLVULA DE CIERRE

Ajuste la válvula de cierre de la tubería de agua fría con la abrazadera de la tubería.

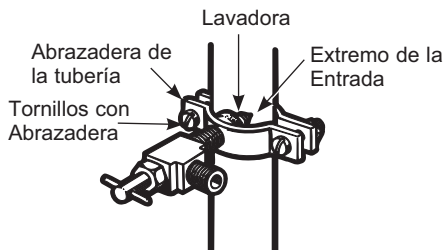


NOTA: Se deberá cumplir con los Códigos de Plomería del Commonwealth de Massachusetts 248CMR. Las válvulas tipo montura son ilegales y su uso está prohibido en Massachusetts. Consulte a un plomero matriculado.

5 AJUSTE LA ABRAZADERA DE LA TUBERÍA

Ajuste los tornillos de la abrazadera hasta que la arandela de sellado comience a hincharse.

NOTA: No ajuste en exceso o se podrá romper la tubería.



6 ENRUTE LA TUBERÍA

Enrute la tubería entre la entrada de agua fría y el refrigerador.

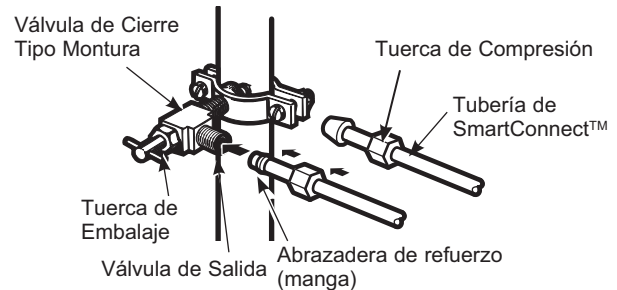
Enrute la tubería a través de un agujero perforado en la pared o el piso (detrás del refrigerador o del gabinete con base adyacente) tan cerca a la pared como sea posible.

7 CONECTE LA TUBERÍA A LA VÁLVULA

Coloque la tuerca de compresión y la abrazadera de refuerzo (manga) para colocar la tubería de cobre en el extremo de la tubería y conecte la misma a la válvula de cierre.

Asegúrese de que la tubería esté completamente insertada en la válvula. Ajuste la tuerca de compresión de forma segura.

Para usar una tubería de plástico del kit de Tuberías para Refrigerador SmartConnect™, inserte el extremo moldeado de la tubería en la válvula de cierre y ajuste la tuerca de compresión hasta que quede ajustada manualmente, y luego dé un giro de ajuste adicional con una llave. Un ajuste excesivo podrá ocasionar pérdidas.



NOTA: Se deberá cumplir con los Códigos de Plomería del Commonwealth de Massachusetts 248CMR. Las válvulas tipo montura son ilegales y su uso está prohibido en Massachusetts. Consulte a un plomero matriculado.

8 DESPEJE LA TUBERÍA

Abra el suministro de agua principal y despeje la tubería hasta que el agua esté limpia.

Cierre el agua usando la válvula de agua luego de haber dejado correr aproximadamente un galón (1 litro), o 2 minutos, de agua a través de la tubería.



Para completar la instalación del refrigerador, vuelva al Paso 12 en Cómo Instalar el Refrigerador.

Condiciones de Funcionamiento Normal

El sonido de los refrigeradores nuevos es diferente al de aquellos más antiguos. Los refrigeradores modernos cuentan con más funciones y utilizan una tecnología más nueva.

¿Escuchas lo que yo escucho? Estas condiciones son normales.

HUMMM... WHOOSH...

- Es posible que el nuevo compresor de alta efectividad funcione más rápido y por más tiempo que aquel de su refrigerador antiguo, y es posible que escuche un zumbido o sonido de pulsación en un tono alto mientras está funcionando.
- Es posible que escuche gorgoteos al cerrar la puerta. Esto se debe al equilibrio de la presión dentro del refrigerador.



- Es posible que escuche los ventiladores girar en altas velocidades. Esto sucede cuando el refrigerador se enchufa por primera vez, cuando las puertas se abren con frecuencia o cuando una gran cantidad de comida es agregada a los compartimientos del refrigerador o del freezer. Los ventiladores están ayudando a mantener las temperaturas correctas.

SONIDOS DE CLIC, ESTALLIDOS ROTURAS y CHASQUIDOS

- Es posible que escuche sonidos de roturas o estallidos cuando se enchufe el refrigerador por primera vez. Esto sucede mientras el refrigerador se enfría hasta la temperatura correcta.
- El compresor puede causar un sonido de chasquido o chirrido al intentar reiniciar (esto podría tomar hasta 5 minutos).
- La expansión y contracción de las bobinas de enfriamiento durante y después de la descongelación pueden producir sonidos de roturas o estallidos.
- En los modelos con máquina de hielo, luego de un ciclo de producción de hielo, es posible que escuche los cubos de hielo caer al recipiente del hielo.
- En los modelos con máquina de hacer hielo, luego de un ciclo de producción de hielo, es posible que escuche los cubos de hielo caer al recipiente del hielo.

SONIDOS DEL AGUA



- Es posible que el flujo de refrigerante a través de las bobinas de enfriamiento produzca un gorgoteo similar a agua hirviendo.
- – El agua que cae sobre el calentador de descongelamiento puede producir un chisporroteo, estallido o zumbido durante el ciclo de descongelamiento.
- Es posible que se escuche un sonido de goteo durante el ciclo de descongelación, a medida que el hielo se derrite desde el evaporador y fluye hasta la olla de drenaje.
- Cerrar la puerta podrá provocar un sonido de burbujeo debido a la igualación de la presión.
- Si la jarra de llenado automático no está llena, se llenará de forma automática aproximadamente 5 segundos después de que haya cerrado la puerta. Es normal escuchar que circula agua hasta durante varios minutos, mientras la jarra se está llenando.

COMIENZO DEL ENFRIAMIENTO

Las temperatura del refrigerador podrá tardar hasta 24 horas en alcanzar la temperatura configurada. Durante dicho tiempo, se deberían minimizar las aperturas de las puertas del refrigerador y del freezer.

Consejos para la Solución de Problemas... Antes de solicitar el servicio técnico

¡Ahorre tiempo y dinero! Primero revise los cuadros que aparecen en las siguientes páginas y es posible que no necesite solicitar reparaciones. ¡Ahorre tiempo y dinero! Primero revise los cuadros que aparecen en las siguientes páginas y es posible que no necesite solicitar reparaciones.

Problema	Causas Posibles	Qué Hacer
Pérdida Detectada en el Filtro	El filtro de agua gotea o debe ser reemplazado.	Reemplace el filtro de agua o instale el tapón del bypass del filtro.
La luz indicadora del filtro permanece encendida luego de reemplazar el filtro	El filtro de agua o el tapón del bypass se instalaron al revés o el filtro se instaló de forma incorrecta.	Retire el filtro o el tapón del bypass, gire el mismo 180 grados y vuelva a realizar su instalación.
La manija está floja/ la manija tiene un espacio de separación.	Es necesario ajustar la manija	Para acceder a instrucciones detalladas, consulte las secciones <i>Cómo Ajustar la Manija de Comidas Frescas</i> y <i>Cómo Ajustar la Manija del Freezer</i> .
Pitido del refrigerador	La alarma de la puerta está emitiendo un pitido por haber sido dejada entreabierta o abierta.	Cierre la puerta para desactivar la alarma, o para desactivar la alarma de la puerta mantenga presionados de forma simultánea los botones Fridge (Nevera) y Ice Maker (Máquina de Hielo) durante tres segundos.
	El refrigerador detectó condiciones que pueden indicar que se produjo una pérdida de agua.	Controle que la jarra de llenado automático no posea pérdidas de agua. Retirar y volver a colocar la jarra reiniciará la alarma.
Las luces del refrigerador se apagan y "SA" aparece en la pantalla.	La unidad está en modo sabático.	De forma simultánea, mantenga presionados los botones Freezer (Freezer), Ice Maker (Máquina de Hielo) y AutoFill (Llenado Automático) durante tres segundos para salir del modo Sabbath (Sabático).
No enfría	Consulte <i>Acerca de los Controles</i> .	Consulte <i>Acerca de los Controles</i>
No hay producción de agua ni de cubos de hielo*	La línea de suministro o la válvula de cierre están atascadas	Llame a un plomero
	El filtro de agua está atascado	Reemplace el cartucho del filtro o retire el filtro e instale el tapón del bypass**.
	El cartucho del filtro no está instalado de forma apropiada	Retire y vuelva a instalar el cartucho del filtro, asegurándose de que se puede bloquear correctamente en su lugar.
	La máquina de hacer hielo está apagada	Controle que la máquina de hacer hielo esté encendida. Consulte <i>Acerca de la Máquina de Hacer Hielo Automática</i> .

Algunos modelos no están equipados con el tapón del bypass del filtro. Para acceder a un tapón del bypass gratuito, llame al 800.692.6630 y solicite el tapón del bypass del filtro WR17X33825. En Canadá, llame al 800.561.3344.

Consejos para la Solución de Problemas... Antes de solicitar el servicio técnico

Problema	Causas Posibles	Qué Hacer
Enfriamiento del freezer, la comida fresca no se enfría	Es normal, cuando el refrigerador se enchufa por primera vez o luego de un corte de energía prolongado	Espere 24 horas para que la temperatura en ambos compartimiento alcance las temperaturas seleccionadas.
La puerta de mi refrigerador hace un chirrido	Disminución de lubricante debido a una limpieza accidental del lubricante sobre la bisagra	Es mejor ordenar la pieza del servicio de lubricante de GEA número WR97X166 y aplicar el mismo sobre la bisagra en la ubicación especificada Es posible rociar un poco de lubricante no tóxico tal como espráis de cocción no adherente a base de silicona, vaselina o lubricantes de grado alimenticio aprobados por NSF. IMPORTANTE: No use WD-40, ya que este eliminará cualquier grasa restante en o alrededor de la bisagra.
	Nivelación inadecuada	Asegúrese de que la unidad esté nivelada.
	Si las puertas fueron retiradas y ensambladas nuevamente durante el proceso de instalación, la línea de flotación y el arnés debajo de la tapa de la bisagra superior se podrán salir de su posición y frotar contra la puerta mientras la puerta gira.	Retire la tapa de la bisagra superior y asegúrese de que la línea de flotación y el arnés que pasa a través del perno de la bisagra se hayan colocado apropiadamente y no toquen ninguna de las partes de la puerta durante la rotación. También ayudará la aplicación de lubricante de grado alimenticio alrededor del área del buje en la puerta.

Verdad o Mito

SERVICIO

¡Ahorre tiempo y dinero! Primero revise los cuadros que aparecen en las siguientes páginas y es posible que no necesite solicitar reparaciones.

Verdad o Mito

Verdad o Mito?	Respuesta	Explicación
Es posible que se requiera un cambio del filtro de agua del refrigerador antes de los seis meses.	VERDADERO	El indicador del filtro de agua indicará la necesidad de reemplazar el filtro de agua cada seis meses o que se dispensen 170 galones (643.52 litros) de agua (modelos selectos únicamente). La calidad del agua varía de una ciudad a otra; si el flujo del agua del dispensador disminuye, o la producción de hielo decrece, el filtro de agua debería ser reemplazado, incluso aunque el indicador del filtro no indique la necesidad del reemplazo.
La máquina de hacer hielo automática de mi refrigerador produce hielo cuando el refrigerador se encuentra enchufado a un receptáculo de corriente.	MITO	El refrigerador debe ser conectado al agua, y la máquina de hacer hielo debe ser encendida. Asegúrese de que la máquina de hacer hielo esté encendida, sólo después de que la cañería de agua esté conectada y que el agua esté abierta. La máquina de hacer hielo puede ser encendida/ apagada desde los controles y asegurar que la misma está encendida, como se indica en el panel de control del refrigerador. Consulte Acerca de las funciones de los controles.
Nunca verá escarcha dentro del compartimiento del freezer.	MITO	La escarcha dentro del freezer típicamente indica que la puerta no está correctamente sellada, o se dejó abierta. Si se encuentra escarcha, despeje la misma utilizando una espátula de plástico y una toalla, luego asegúrese de que no haya paquetes ni envases de comida que impidan que la puerta del freezer se cierre. Controle el panel de control del refrigerador para asegurar que la alarma de la puerta esté activada.
Puede usar el tapón del bypass del filtro de agua para determinar si el filtro requiere un reemplazo.	VERDADERO	Una reducción en el flujo del dispensador de agua o una reducción en la producción de hielo podrán indicar la necesidad de reemplazar el filtro de agua. Instale el tapón del bypass del filtro de agua (provisto con el refrigerador sur certains modèles*), y controle el flujo desde el dispensador. Si el flujo de agua regresa a la normalidad con la colocación del tapón del bypass, reemplace el filtro de agua.
La parte superior de las puertas del refrigerador siempre estará alineada.	MITO	Varias cosas pueden afectar la alineación de la puerta de alimentos frescos, incluyendo el piso sobre el cual el refrigerador está instalado, y la carga de las puertas. Si la parte superior de las puertas de alimentos frescos no están alineadas, use una llave Allen de ¼" para ajustar la puerta derecha o izquierda. El tornillo de ajuste está ubicado en el costado inferior derecho o izquierdo de la puerta; abra la puerta del freezer para acceder al tornillo.
Las manijas de la puerta del refrigerador se pueden ajustar fácilmente.	VERDADERO	Si las manijas de la puerta están flojas o tienen una separación con la puerta, se podrán ajustar usando una llave Allen de 1/8", sobre los tornillos ubicados en los extremos de las manijas.
Es posible que el hielo presente problemas con su olor y sabor.	VERDADERO	Luego de iniciar la máquina de hacer hielo, deshágase de 24 horas de producción de hielo para evitar problemas de olor y sabor.
Puedo hacer ajustes finos sobre las puertas de alimentos frescos para alinearlas.	VERDADERO	Si las puertas de alimentos frescos no están alineadas, use una llave Allen de ¼" para ajustar la puerta de la derecha. El tornillo de ajuste se encuentra en la parte inferior de la derecha / izquierda de la puerta. Abra la puerta del freezer para tener acceso.

Verdad o Mito

SERVICIO

¡Ahorre tiempo y dinero! Primero revise los cuadros que aparecen en las siguientes páginas y es posible que no necesite solicitar reparaciones.

Verdad o Mito

Verdad o Mito?	Respuesta	Explicación
Las manijas de la puerta siempre se deben retirar para la instalación.	MITO	Controle el cuadro sobre el lado inverso de esta instrucción. Si las puertas se deben retirar, no retire las manijas, o si el refrigerador cabe cómodamente a través de la abertura del pasillo. Ajuste las manijas que estén flojas o que posean un espacio, ajustando el conjunto de tornillos de 1/8" en cada extremo de las manijas.
Siempre se requiere el retiro de la puerta para la instalación.	MITO	Controle el cuadro sobre el lado inverso de esta instrucción. Las puertas sólo se deben retirar cuando sea necesario para evitar daños en el pasillo o en el acceso hasta la ubicación final.
Las puertas del refrigerador se cerrarán solas si se las deja abiertas.	MITO	Las puertas del refrigerador deberán ser cerradas por el usuario. Un rebote suave hacia atrás es una función diseñada en algunos modelos que brinda una respuesta positiva al usuario, de modo que pueda iniciar y completar la acción del cierre de puertas.
Hay un ajuste a las ruedas traseras.	MITO	Las patas niveladoras frontales son ajustables y se deberían usar para equilibrar el refrigerador. Las patas niveladoras se usan para hacer el ajuste inicial de la puerta de alimentos frescos.
Controle pérdidas una vez realizadas todas las conexiones del agua.	VERDADERO	Al purgar el aire del sistema de agua, controle pérdidas en todas las conexiones de las cañerías de agua. Controle la conexión con el suministro de agua del hogar en la parte trasera del refrigerador, y en la conexión de la tubería de agua de la puerta.
Cualquier residuo del embalaje se podrá eliminar del refrigerador con un limpiador.	MITO	No use cera, pulidor, blanqueador u otros productos que contengan cloro sobre los paneles de Acero Inoxidable, manijas de puertas y componentes. Para acceder a detalles completos, controle estas instrucciones en "Limpieza de la Parte Exterior".

*Algunos modelos no están equipados con el tapón del bypass del filtro. Para acceder a un tapón del bypass gratuito, llame al 800.692.6630 y solicite el tapón del bypass del filtro WR17X33825. En Canadá, llame al 800.561.3344.

Café Garantía Limitada del Refrigerador

GARANTÍA LIMITADA

cafeappliances.com

Todo el servicio de garantía es provisto por nuestros Centros de Servicio de Fabricación, o un técnico autorizado de o un técnico autorizado de servicio. Para programar una visita del servicio técnico, visítenos en cafeappliances.com/service. Cuando llame para solicitar el servicio, tenga los números de serie y modelo disponibles. En Canadá, visite cafeappliances.ca/service.

Para realizar el servicio técnico de su refrigerador se podrá requerir el uso de datos del puerto de abordaje para su diagnóstico. Esto da al técnico del Servicio de Fábrica de Café la habilidad de diagnosticar de forma rápida cualquier problema con su electrodoméstico, y de ayudar a Café a mejorar sus productos al brindarle a Café la información sobre su electrodoméstico. Si no desea que los datos de su electrodoméstico sean enviados a Café, solicitamos que le indique a su técnico NO entregar los datos a Café en el momento del servicio.

Por el Período de:	Café Reemplazará
Un Año Desde la fecha de la compra original	Cualquier parte del refrigerador que falle debido a un defecto en los materiales o la fabricación. Durante esta garantía limitada de un año , Café también proveerá, sin costo , todo el trabajo y el servicio relacionado con el reemplazo de la parte que presente defectos.
Treinta Días (Filtro de Agua, si está incluido) Desde la fecha de la compra original del refrigerador	Cualquier parte del cartucho del filtro de Agua que falle debido a un defecto en los materiales o la fabricación. Durante la garantía limitada por treinta días , Café también le brindará, sin costo , el reemplazo de un cartucho del filtro de agua.
Cinco Años Desde la fecha de la compra original	Cualquier parte del sistema de refrigeración sellado (el compresor, condensador, evaporador y todas las tuberías de conexión) que falle debido a un defecto en los materiales o la fabricación. Durante esta garantía de cinco años del sistema de refrigeración sellado , Café también proveerá, sin costo , todo el trabajo y el servicio relacionado con el reemplazo de la parte que presente defectos en el sistema de refrigeración sellado.

Qué No Está Cubierto:

- Viajes del técnico del servicio a su hogar para enseñarle sobre cómo usar el producto.
- Instalación, entrega o mantenimiento inadecuados.
- Fallas del producto en caso de abuso, mal uso, o uso para propósitos diferentes al original o uso comercial.
- Pérdida de alimentos por mal estado.
- Reemplazo de fusibles de la casa o reinicio de disyuntores.
- Daños sobre el acabado, tales como óxido sobre la superficie, deslustres o manchas pequeñas no informadas dentro de las 48 horas luego de la entrega.
- Reemplazo del cartucho del filtro de agua, si se incluye, debido a la presión del agua que está fuera del rango de funcionamiento específico o debido a exceso de sedimentos en el suministro de agua.
- Reemplazo de bombillas de luz, si se incluyen, o del cartucho del filtro de agua, si se incluye, a diferencia de lo detallado anteriormente.
- Daños ocasionados sobre el producto por accidente, incendio, inundaciones o catástrofes naturales.
- Daños consecuentes o incidentales causados por posibles defectos de este producto.
- Producto no accesible para brindar el servicio requerido.
- Daño ocasionado por un filtro de agua de una marca que no es GE Appliances.

EXCLUSIÓN DE GARANTÍAS IMPLÍCITAS—Su única y exclusiva alternativa es la reparación del producto, como se indica en la Garantía Limitada. Las garantías implícitas, incluyendo garantías implícitas de comerciabilidad o conveniencia sobre un propósito particular, se limitan a un año o al período más corto permitido por la ley.

Esta garantía limitada se extiende al comprador original y a cualquier dueño subsiguiente de productos comprados para uso hogareño dentro de EE.UU. Si el producto está en un área donde no se encuentra disponible un Proveedor Autorizado del Servicio Técnico de Café, usted será responsable por el costo de un viaje o se podrá requerir que traiga el producto a una ubicación del Servicio Técnico de Café Autorizado para recibir el servicio. En Alaska, la garantía limitada excluye el costo de envío o llamadas del servicio a su hogar. Algunos estados no permiten la exclusión o limitación de daños fortuitos o consecuentes. Esta garantía limitada le da derechos legales específicos y es posible que tenga otros derechos legales que varían entre un estado y otro. Para conocer cuáles son sus derechos legales, consulte a la oficina de asuntos del consumidor local o estatal o al Fiscal de su estado.

Warrantor: GE Appliances, a Haier company
Louisville, KY 40225

Para Clientes en Canadá: Esta garantía limitada se extiende al comprador original y a cualquier dueño subsiguiente de productos comprados para uso hogareño dentro de Canadá. El servicio técnico hogareño de la garantía será brindado en áreas donde Mabe se encuentre disponible y lo considere apropiado.

Garante en Canadá: MC Commercial, Inc., Burlington, Ontario, L7R 5B6

Abroche su recibo aquí. Para acceder al servicio técnico de acuerdo con la garantía deberá contar con la prueba de la fecha original de compra.

Garantía Limitada del Cartucho del Filtro de Agua XWFE

Comuníquese con nosotros en cafeappliances.com

Por el Período de:	Reemplazaremos, Sin Costo:
Treinta Días Desde la fecha de compra original.	Cualquier parte del cartucho del filtro de agua que falle debido a un defecto en los materiales o la fabricación durante esta garantía limitada de treinta días.*

Qué No Está Cubierto:

- Viajes del técnico del servicio a su hogar para enseñarle sobre cómo usar el producto.
- Instalación inadecuada.
- Fallas del producto en caso de abuso, mal uso, o uso para propósitos diferentes a l original o uso comercial
- Reemplazo de fusibles de la casa o reinicio de disyuntores.
- Reemplazo del cartucho del filtro de agua debido a la presión del agua que está fuera del rango de funcionamiento específico o debido a exceso de sedimentos en el suministro de agua
- Daños ocasionados sobre el producto por accidente, incendio, inundaciones o catástrofes naturales.
- Daños consecuentes o incidentales causados por posibles defectos de este producto.

EXCLUSIÓN DE GARANTÍAS IMPLÍCITAS:

Su única y exclusiva alternativa es el cambio de la pieza, como se indica en esta Garantía Limitada. Las garantías implícitas, incluyendo garantías implícitas de comerciabilidad o conveniencia sobre un propósito particular, se limitan a seis meses o al período más corto permitido por la ley.

Esta garantía se extiende al comprador original y a cualquier dueño subsiguiente de productos adquiridos para uso hogareño dentro de EE.UU. En Alaska, la garantía excluye el costo de envío o llamadas al servicio técnico desde su hogar.

Algunos estados no permiten la exclusión o limitación de daños fortuitos o consecuentes. Esta garantía le da derechos legales específicos y es posible que tenga otros derechos legales que varían entre un estado y otro. Para conocer cuáles son sus derechos legales, consulte a la oficina de asuntos del consumidor local o estatal o al Fiscal de su estado.

Para Adquisiciones Realizadas en Iowa: Este formulario debe poseer la firma y fecha del comprador y del vendedor antes de la consumación de esta venta.

Este formulario debería ser retenido por el vendedor en un archivo durante un mínimo de dos años.

Comprador:

Nombre _____

Domicilio _____

Ciudad _____ Estado _____ Código Postal _____

Firma _____ Fecha _____

Vendedor:

Nombre _____

Domicilio _____

Ciudad _____ Estado _____ Código Postal _____

Firma _____ Date _____

* Si su pieza de GE Appliances falla debido a un defecto en la fabricación dentro de los treinta días desde la fecha de compra original, le entregaremos una pieza nueva o, a su elección, una pieza reconstruida sin cargo. Devuelva la pieza defectuosa al proveedor de piezas a quien le realizó la compra, junto con una copia de la "prueba de compra" de la pieza. Si la pieza es defectuosa y no muestra signos de abuso, será cambiada. La garantía no cubre la falla de las piezas que están dañadas mientras están en su posesión, si son abusadas, o si fueron instaladas de forma incorrecta. No cubre el costo de regresar la pieza al proveedor a quien le realizó la compra ni cubre el costo del trabajo para retirar o instalar la misma a fin de diagnosticar la falla. No cubre las piezas usadas en productos de uso comercial, excepto en el caso de equipos acondicionadores de aire. En ningún caso GE Appliances será responsable por daños consecuentes.

Garante: GE Appliances, a Haier company
Louisville, KY 40225

Abroche su recibo aquí. Para acceder al servicio técnico de acuerdo con la garantía deberá contar con la prueba de la fecha original de compra.

Ficha Técnica de Funcionamiento del Modelo: XWFE

- Sistema certificado por IAPMO R&T contra los Estándares 42, 53, 401, y P473 de NSF/ANSI para la reducción de demandas especificadas en la ficha técnica de rendimiento y en iapmort.org.
- El rendimiento real podrá variar en relación a las condiciones locales del agua.

Sustancia Evaluada para la Reducción	Concentración del peligro de intrusión (mg/L)	Concentración de aguas máximas permitidas sobre el producto (mg/L)	% Promedio de Reducción
Gusto y Olor a Cloro	2.0 mg/L +/- 10%	N/A	96.9
Gusto y Olor a Cloramina	3.0 mg/L +/- 10%	0.5	96.9
Partícula, Clase I	Por lo menos 10,000 partículas/mL	N/A	91.4
Partícula, Clase I	50,000/L	N/A	>99.99
Plomo	0.15	0.01	98.85
Mercurio	0.006	0.002	96.3
Mercurio	107 to 108 fibras/L	N/A	>99
Toxafeno	0.015 +/- 10%	0.003	86.95
VOC (químico sustituto del cloroformo)	0.300	0.015	99.7
Alacloro	0.050	0.001	> 98
Atrazina	0.100	0.003	> 97
Benceno	0.081	0.001	> 99
Carbofurano	0.190	0.001	> 99
Tetracloruro de carbono	0.078	0.0018	98
Clorobenceno	0.077	0.001	> 99
Cloropincrina	0.015	0.0002	99
2,4-D	0.110	0.0017	98
Dibromocloropropano (DBCP)	0.052	0.00002	> 99
o-Diclorobenceno	0.08	0.001	> 99
P-Diclorobenceno	0.040	0.001	> 98
1,2-dicloroetano	0.088	0.0048	95
1,2-dicloroetano	0.083	0.001	> 99
Cis-1,2-dicloroetileno	0.170	0.0005	> 99
Trans-1,2-dicloroetileno	0.086	0.001	> 99
1,2-dicloropropano	0.080	0.001	> 99
cis-1,3-dicloropropileno	0.079	0.001	> 99
Dinoseb	0.170	0.0002	99
Endrina	0.053	0.00059	99
Etilbenceno	0.088	0.001	> 99
Dibromuro de etileno (EDB)	0.044	0.00002	> 99
Bromocloroacetnitrilo	0.022	0.0005	98
Dibromoacetnitrilo	0.024	0.0006	98
dichloroacetnitrilo	0.0096	0.0002	98
Dicloroacetnitrilo	0.015	0.0003	98
1,2-dicloro-2-propanona	0.0072	0.0001	99
1,1,1-tricloro-2-propanona	0.0082	0.0003	96
Heptacloro (H-34, Heptox)	0.025	0.00001	>99
Epóxido de heptacloro	0.0107	0.0002	98
Hexaclorociclopentadieno	0.044	0.001	> 98
Hexaclorociclopentadieno	0.060	0.000002	> 99
Lindano	0.055	0.00001	> 99
Metoxicloro	0.050	0.0001	> 99
Pentaclorofenol	0.096	0.001	> 99
Simazina	0.120	0.004	> 97
Tetracloroetileno	0.150	0.0005	> 99
1,1,2,2-Tetracloroetileno	0.081	0.001	> 99
Tetracloroetileno	0.081	0.001	> 99
Tolueno	0.078	0.001	> 99
2,4,5-TP (silvex)	0.270	0.0016	99
Ácido tribromoacético	0.042	0.001	> 98
1,2,4-Triclorobenceno	0.160	0.0005	> 99
1,1,1-tricloroetano	0.084	0.0046	95
1,1,2-tricloroetano	0.150	0.0005	> 99
Tricloroetileno	0.180	0.0010	> 99
Bromoformo	0.300	0.015	95
Bromodichlorometano	0.300	0.015	95
clorodibromometano	0.300	0.015	95
Xileno	0.070	0.001	>99
Meprobamato	400 +/- 20%	60	95.5
Atenolol	200 +/- 20%	30	95.9
carbamazepina	1400 +/- 20%	200	98.6
DEET	1400 +/- 20%	200	98.6
Metolacoloro	1400 +/- 20%	200	98.7
Trimetoprima	140 +/- 20%	20	96.1
Linuron	140 +/- 20%	20	96.6
TCEP	5000 +/- 20%	700	98.1
TCPP	5000 +/- 20%	700	98.1
Fenitoína	200 +/- 20%	30	96
Naproxeno	400 +/- 20%	60	95.9
Naproxeno	140 +/- 20%	20	96.5
Estrona	140 +/- 20%	20	97.1
Bisfenol A	2000 +/- 20%	300	99.1
Nonyl phenol	1400 +/- 20%	200	97.3

Pautas de Aplicación/ Parámetros de Suministro de Agua

Flujo de Servicio	0.5 gpm (1.89 lpm)
Suministro de Agua	Agua Potable
Presión del Agua	25-120 psi (172-827 kPa)
Temperatura del agua	33°F-100°F (0.6°C-38°C)
Capacidad	170 galones (643.5 litros)

Es esencial que se cumpla con los requisitos de instalación, mantenimiento y reemplazo de filtros recomendados por el fabricante, a fin de que el producto funcione de acuerdo a como fue promocionado. Para acceder a información sobre la Garantía, consulte el Manual de Instalación.

NOTA: Observe que aunque la evaluación se realizó de acuerdo con condiciones estándares de laboratorio, el desempeño puede variar. Reemplazo del Cartucho: XWFE. Para conocer costos estimados de elementos de reemplazo, visite nuestro sitio Web en cafeappliances.com.

⚠ ADVERTENCIA

A fin de reducir el riesgo asociado con la ingestión de contaminantes:

- No se deben usar con agua que no sea microbiológicamente segura o de calidad desconocida sin una desinfección adecuada, antes o después, del sistema. Los sistemas certificados para la reducción de quistes se podrían usar en aguas desinfectadas que puedan contener quistes filtrables.

AVISO

A fin de reducir el riesgo de pérdidas de agua o inundación, y para asegurar un rendimiento óptimo del filtro:

- Lea y siga las Instrucciones de uso antes de la instalación y uso de este sistema.
- La instalación y uso DEBERÁN cumplir con todos los códigos estatales y locales de plomería.
- No se deberá instalar si la presión del agua supera los 120 psi (827 kPa). Si la presión del agua es superior a los 80 psi (552 kPa), deberá instalar una válvula limitadora de presión. Si no está seguro sobre cómo controlar la presión del agua, comuníquese con un plomero profesional.
- No instale cuando se puedan producir condiciones de golpe de ariete. Si existen condiciones de golpe de ariete, deberá instalar un suspensor de golpes de ariete.
- Si no está seguro sobre cómo controlar esta condición, comuníquese con un plomero profesional.
- No instale en líneas de suministro de agua caliente. La temperatura máxima de funcionamiento del agua para este sistema de filtro es de 100°F (37.8°C).
- Proteja el filtro de heladas. Drene el filtro cuando las temperaturas sean inferiores a 33°F (0.6°C).
- Cambie el cartucho del filtro descartable cada seis meses o antes, si observa una reducción notoria en el promedio del flujo de agua.
- Si no se reemplaza el cartucho del filtro descartable en intervalos recomendados, se podrá producir un rendimiento inferior del filtro y quebraduras en el espacio de colocación del filtro, ocasionando pérdidas de agua o inundación.
- Este sistema fue evaluado de acuerdo con NSF/ANSI 42, 53, 401, y P473 para la reducción de las sustancias que figuran a continuación. La concentración de las sustancias indicadas en agua que ingresa al sistema fue reducida a una concentración inferior o igual al límite permitido de agua que deja el sistema, de acuerdo con lo especificado en NSF/ANSI 42, 53, 401, y P473.



Sistema XWFE certificado por IAPMO R&T contra los Estándares 42, 53, 401, y P473 de NSF/ANSI para la reducción de demandas especificadas en la ficha técnica de rendimiento en iapmort.org.

Notas

Soporte para el Consumidor

Sitio Web de Café

¿Desea realizar una consulta o necesita ayuda con su electrodoméstico? ¡Intente a través del Sitio Web de Café las 24 horas del día, cualquier día del año! Usted también puede comprar más electrodomésticos maravillosos de CAFÉ y aprovechar todos nuestros servicios de soporte a través de Internet, diseñados para su conveniencia.
En EE.UU.: cafeappliances.com

Registre su Electrodoméstico

¡Registre su electrodoméstico nuevo a través de Internet, según su conveniencia! Un registro puntual de su producto permitirá una mejor comunicación y un servicio más puntual de acuerdo con los términos de su garantía, en caso de surgir la necesidad. También puede enviar una carta en la tarjeta de inscripción preimpresa que se incluye con el material embalado.
En EE.UU.: cafeappliances.com/register

Servicio Programado

El servicio de reparación de expertos de Café está a sólo un paso de su puerta. Conéctese a través de Internet y programe su servicio a su conveniencia cualquier día del año. En EE.UU.: cafeappliances.com/service

Garantías Extendidas

Adquiera una garantía extendida deCafé y conozca los descuentos especiales que están disponibles mientras su garantía aún está vigente. La puede adquirir en cualquier momento a través de Internet. Los servicios de Café aún estarán allí cuando su garantía caduque.
En EE.UU.: cafeappliances.com/extended-warranty

Piezas y Accesorios

Aquellos individuos calificados para realizar el servicio técnico de sus propios electrodomésticos podrán solicitar el envío de piezas o accesorios directamente a sus hogares (se aceptan las tarjetas VISA, MasterCard y Discover). Ordene hoy a través de Internet durante las 24 horas, todos los días. En EE.UU.: cafeappliances.com.

Las instrucciones que figuran en este manual cubren los procedimientos que serán realizados por cualquier usuario. Otros servicios técnicos generalmente deben ser derivados a personal calificado del servicio. Se deberá tener cuidado, ya que una reparación indebida podrá hacer que el funcionamiento no sea seguro.

Contáctenos

Si no se encuentra satisfecho con el servicio que recibió de Café, comuníquese con nosotros a través de nuestro sitio Web con todos los detalles, incluyendo su número telefónico, o escriba a:

En EE.UU.: General Manager, Customer Relations | GE Appliances, Appliance Park | Louisville, KY 40225
GEAppliances.com/contact