



FRIGIDAIRE

Factory Parts Catalog

Product No.	FFET1022UV	FFET1022UW
Series	Frigidare	Frigidare
Color	stainless	white
Owner's Guide	A13290801	A13290801
Market	North America	North America
Service Data Sheet	2700604942	2700604942

Frigidaire

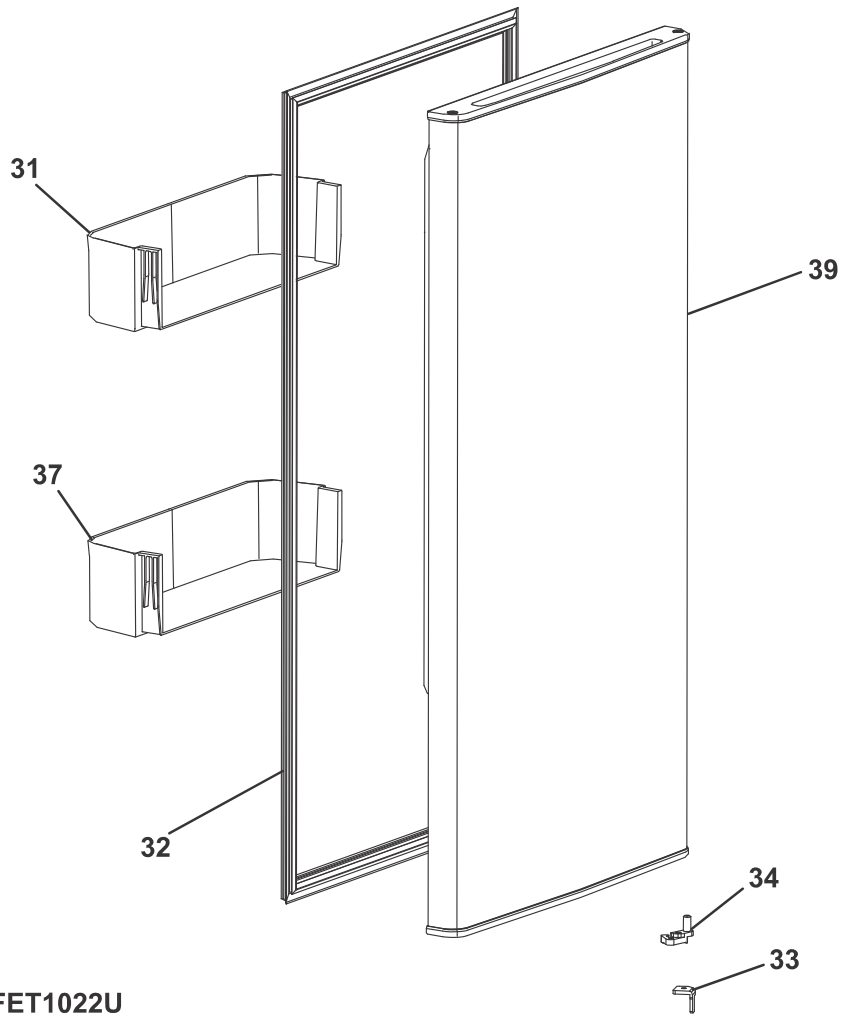
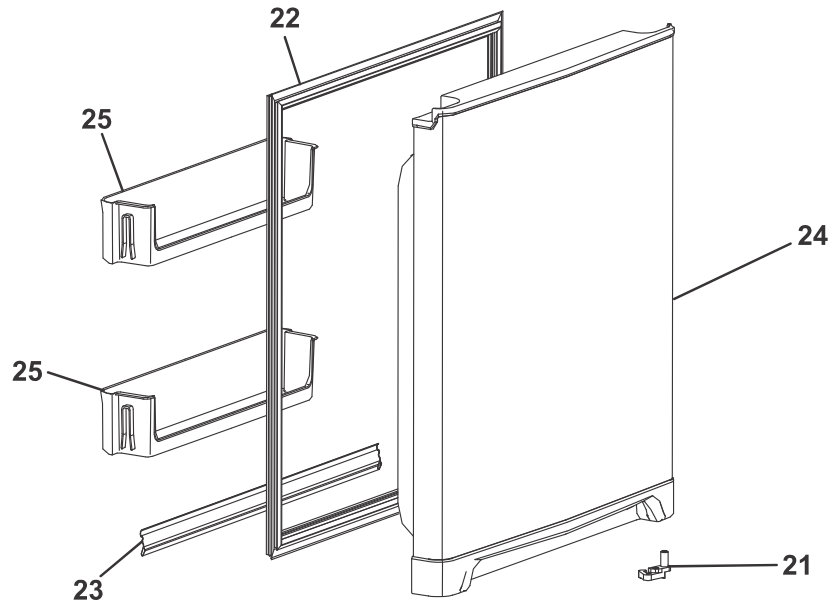
P.O. BOX 8020
CHARLOTTE, NC 28262

Publication No.
5995705836
18/07/27
(EN/SERVICE/ECL)
390

TOP-MOUNT REFRIGERATOR

Model No.
FFET1022U

DOOR



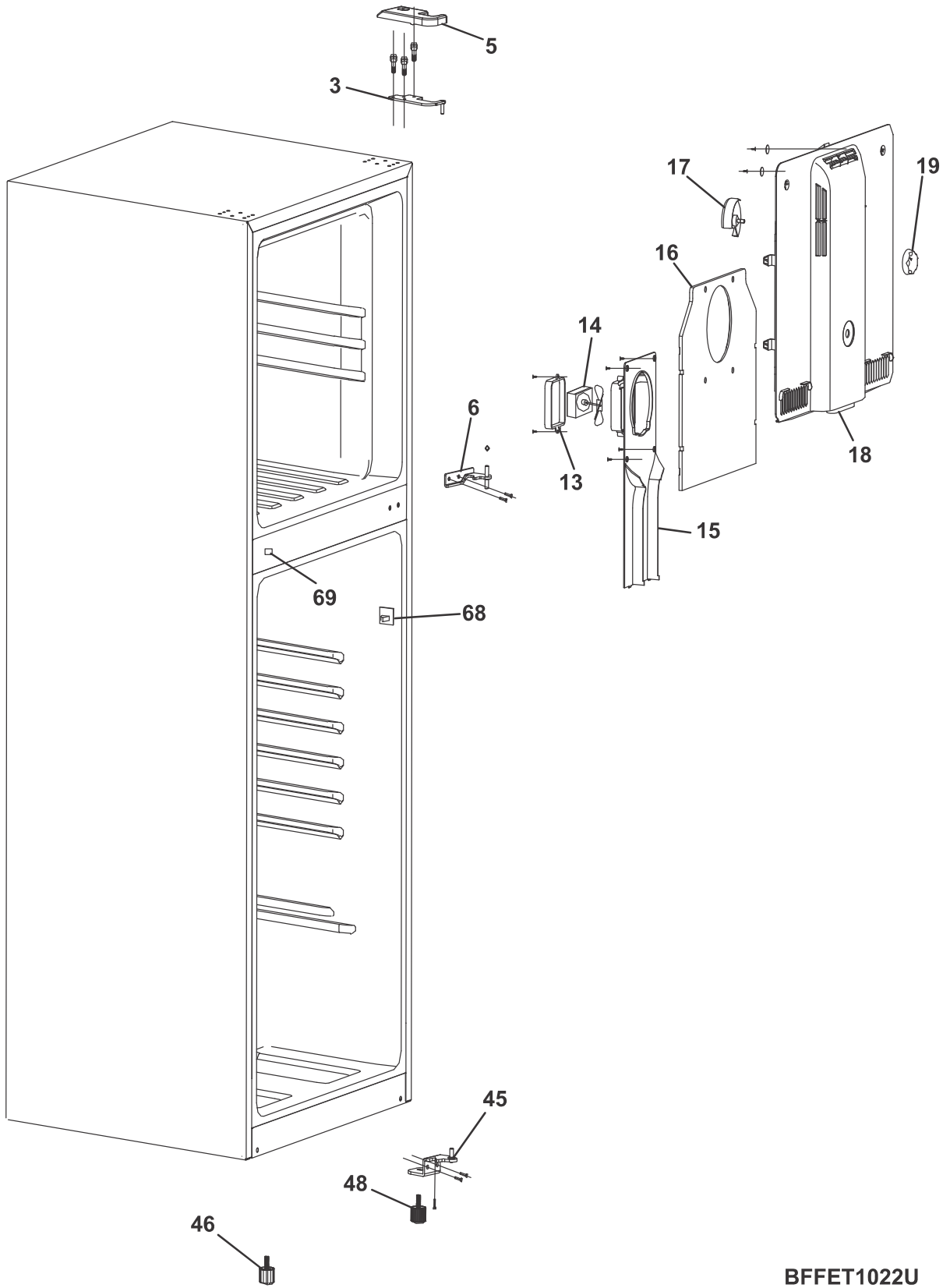
DFFET1022U

DOOR

Model Index: **A** FFET1022U (FFET1022UV)
 B FFET1022U (FFET1022UW)

POS. NO	PART NO.		DESCRIPTION
21	5304518477	A B	Door Stopper, freezer door, RH door swing
22	5304518478	A -	Gasket, freezer door, gray
22	5304518530	- B	Gasket, freezer door, white
23	5304518479	A B	Gasket, liner, freezer door
24	5304518480	A -	Door Assembly, freezer, stainless
24	5304518531	- B	Door Assembly, freezer, white
25	5304518481	A B	Rack, freezer door, (2)
31	5304518482	A B	Rack, refr door, upper
32	5304518483	A -	Gasket, refr door, gray
32	5304518532	- B	Gasket, refr door, white
33	5304518484	A B	Bracket, door closer, metal, RH door swing
34	5304518485	A B	Closer, refr door, RH door swing
37	5304518486	A B	Rack, refr door, lower
39	5304518487	A -	Door Assembly, refrigerator, stainless
39	5304518533	- B	Door Assembly, refrigerator, white

CABINET



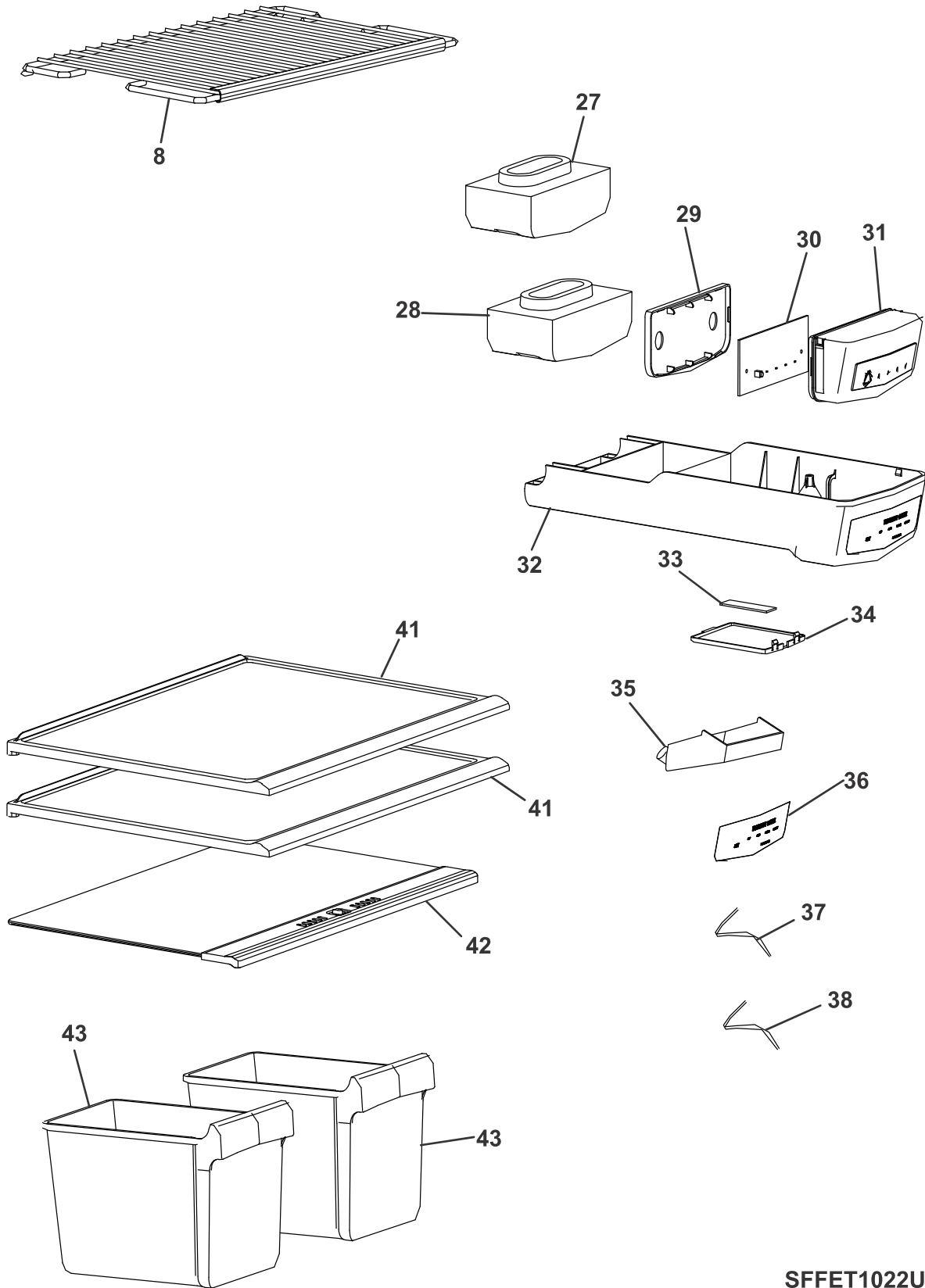
BFFET1022U

CABINET

Model Index: A FFET1022U (FFET1022UV)
B FFET1022U (FFET1022UW)

POS. NO	PART NO.		DESCRIPTION
3	5304518488	A B	Door Hinge, upper
5	5304518489	A -	Cover, upper hinge, gray, RH door swing
5	5304518534	- B	Cover, upper hinge, white, RH door swing
6	5304518490	A B	Door Hinge, middle
13	5304518491	A B	Cover, fan motor, rear
14 #	5304518492	A B	Motor Assembly, evaporator fan, w/blade
15	5304518493	A B	Housing, fan, rear
16	5304518494	A B	Insulation, coil cover
17	5304518495	A B	Baffle, adjustment, fan
18	5304518496	A B	Cover, coil, front
19	5304518497	A B	Knob, freezer control
45	5304518498	A B	Door Hinge, lower, RH door swing
46	5304518499	A -	Foot, cabinet, gray
46	5304518535	- B	Foot, cabinet, white
48	5304518500	A -	Foot, cabinet, gray, adjustable
48	5304518536	- B	Foot, cabinet, white, adjustable
68 #	5304518501	A B	Switch, door
69	5304518502	A B	Cover, screw

SHELVES



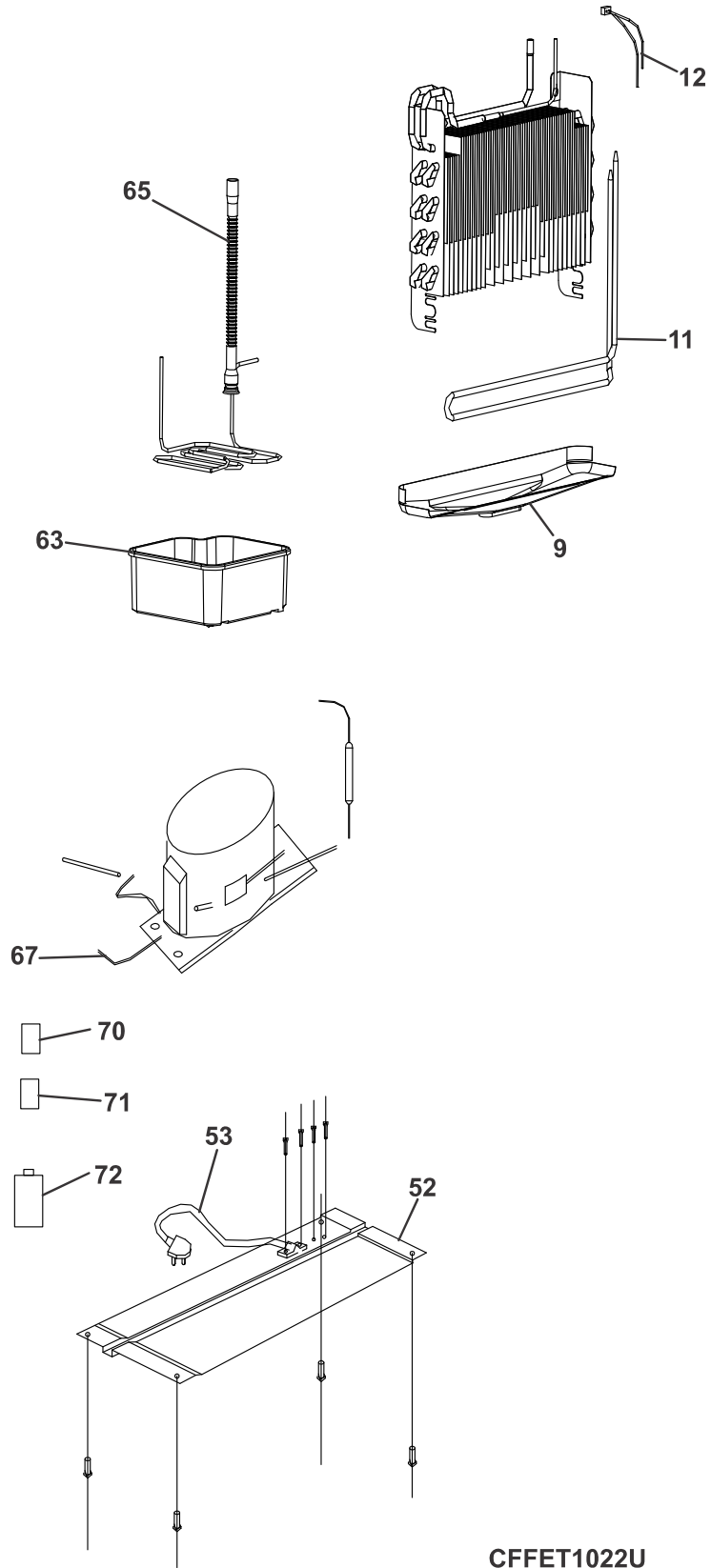
SFFET1022U

SHELVES

Model Index: **A** FFET1022U (FFET1022UV)
 B FFET1022U (FFET1022UW)

POS. NO	PART NO.		DESCRIPTION
8	5304518503	A B	Shelf, freezer
27	5304518504	A B	Insulation, control box, upper
28	5304518505	A B	Insulation, control box, lower
29	5304518506	A B	Housing, control board, rear
30 #	5304518507	A B	Control Board, electronic
31	5304518508	A B	Cover, control board, front
32	5304518509	A B	Housing, control box
33 #	5304518510	A B	Light, LED
34	5304518511	A B	Cover, light
35	5304518512	A B	Trough, water collector
36	5304518513	A B	Display Panel, control
37 #	5304518514	A B	Harness, wiring, low voltage
38 #	5304518515	A B	Harness, wiring, high voltage
41	5304518516	A B	Shelf, refrigerator, (2)
42	5304518517	A B	Cover, crisper
43	5304518518	A B	Drawer, crisper, (2)

SYSTEM



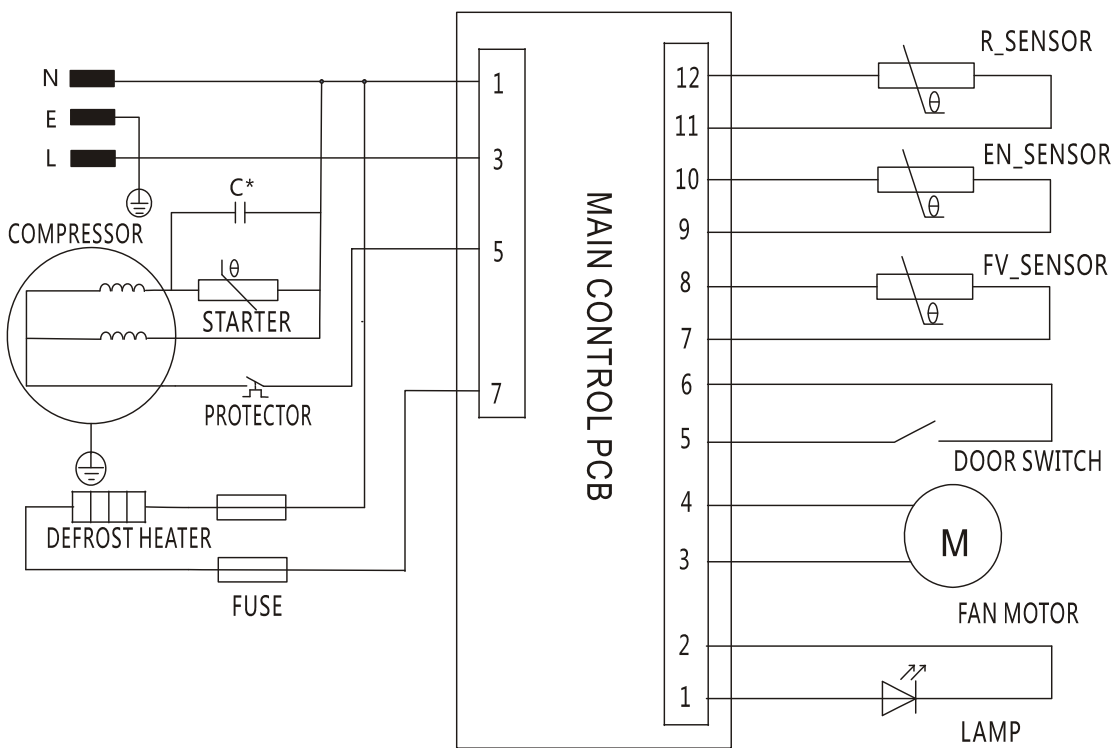
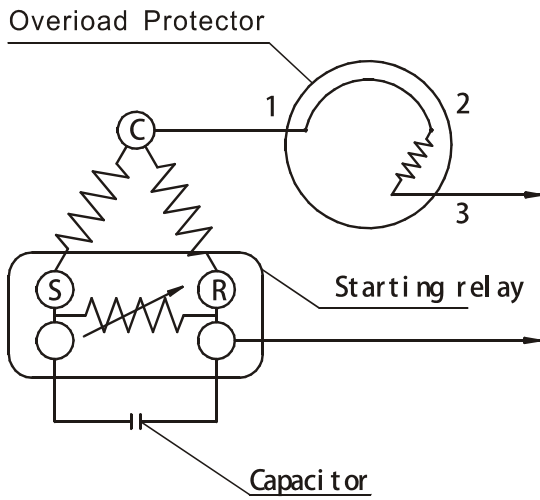
CFFET1022U

SYSTEM

Model Index: **A** FFET1022U (FFET1022UV)
 B FFET1022U (FFET1022UW)

POS. NO	PART NO.		DESCRIPTION
9	5304518519	A B	Drain Trough, evaporator
11 #	5304518520	A B	Heater, defrost
12 #	5304518521	A B	Thermostat, defrost
52	5304518522	A B	Base, compressor, support
53 #	5304518523	A B	Power Cord, electric servic
63	5304518524	A B	Drain Pan
65	5304518525	A B	Drain Pipe
67	5304518526	A B	Wire, grounding, compressor
70 #	5304518527	A B	Protector, compressor
71 #	5304518528	A B	Starter, compressor
72 #	5304518529	A B	Capacitor, compressor

WIRING DIAGRAM



C*:The capacitor is optional according to different compressor model

DLT-84

———— R600a