



# Front Load Steam Washer & Condenser Dryer **COMBINATION**

**SAFETY INFORMATION** ..... 4

**USING THE UNIT**  
Getting Started ..... 6  
Loading ..... 15

**CARE AND CLEANING** ..... 16

**INSTALLATION INSTRUCTIONS** ..... 18

**TROUBLESHOOTING TIPS** ..... 23

**CONSUMER HELP INDICATOR** ..... 29

**LIMITED WARRANTY** ..... 31

**CONSUMER SUPPORT** ..... 32

**OWNER'S MANUAL & INSTALLATION INSTRUCTIONS**

GFQ14

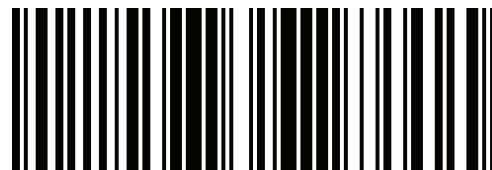
**ENGLISH/FRANÇAIS/ESPAÑOL**

Write the model and serial numbers here:

Model # \_\_\_\_\_

Serial # \_\_\_\_\_

You can find them on a label inside the door.



**THANK YOU FOR MAKING GE APPLIANCES A PART OF YOUR HOME.**

---

Whether you grew up with GE Appliances, or this is your first, we're happy to have you in the family.

We take pride in the craftsmanship, innovation and design that goes into every GE Appliances product, and we think you will too. Among other things, registration of your appliance ensures that we can deliver important product information and warranty details when you need them.

Register your GE appliance now online. Helpful websites and phone numbers are available in the Consumer Support section of this Owner's Manual. You may also mail in the pre-printed registration card included in the packing material.



# Introduction

---

- This unit allows: wash only; dry only; wash and dry cycles.
- Fill the drum 2/3 full with laundry for best wash and dry performance. This allows air movement and proper drying. A fully loaded drum will lead to longer dry times.

**NOTE:** During Dry cycles temperatures in the unit can get very hot. For this reason, the door will lock during the dry cycle and remain locked until temperatures cool down. If **Start/Pause** is pressed mid cycle to add another garment, the unit will update the cycle status to “Cool” and the door will remain locked to allow the unit to safely cool down. This may take up to 15 minutes depending on conditions inside the machine. Forcing the door open will result in a broken door mechanism.

- This unit uses condenser drying technology. This enables installation and use without a vent, but loads take approximately 1.5 times longer to dry than a traditional vented dryer.

# IMPORTANT SAFETY INFORMATION

## READ ALL INSTRUCTIONS BEFORE USING THE APPLIANCE

### ▲WARNING

To reduce the risk of death, fire, explosion, electric shock, or injury to persons when using your appliance, follow basic precautions, including the following:

- Read all instructions before using the appliance.
- Follow all fabric care instructions and warnings to prevent melting of garments or damage to the appliance.
- **DO NOT** wash or dry articles that have been previously cleaned in, washed in, soaked in or spotted with gasoline, dry-cleaning solvents, or other flammable or explosive substances, as they give off vapors that could ignite or explode.
- **DO NOT** add gasoline, dry-cleaning solvents, or other flammable or explosive substances to the wash water. These substances give off vapors that could ignite or explode.
- **DO NOT** place items exposed to cooking oils in your unit. Items contaminated with cooking oils may contribute to a chemical reaction that could cause a load to catch fire. To reduce the risk of fire due to contaminated loads, the final part of the tumble dryer cycle occurs without heat (cool down period). At the end of the cycle the door remains locked during the cool down period to protect from surfaces that get hot during drying. The cool down period will be approximately 10 minutes before the door is unlocked.
- **DO NOT** dry articles containing foam rubber or similarly textured rubber-like materials.
- **DO NOT** store combustible materials, gasoline or other flammable liquids near the unit. Keep area around the air intake vent on the front of the unit and adjacent surrounding areas free from the accumulation of lint, dust and dirt.
- The interior of the appliance should be cleaned periodically by qualified service personnel.
- **DO NOT** add dryer lint sheet in the unit when washing.
- **DO NOT** spray any type of aerosol into, on or near the unit at any time. **DO NOT** use any type of spray cleaner when cleaning the interior. Hazardous fumes or electrical shock could occur.
- Under certain conditions, hydrogen gas may be produced in a hot-water system that has not been used for 2 weeks or more. **HYDROGEN GAS IS EXPLOSIVE.** If the hot water system has not been used for such a period, before using a washing machine, turn on all hot-water faucets and let the water flow from each for several minutes. This will release any accumulated hydrogen gas. As the gas is flammable, **DO NOT** smoke or use an open flame during this time.
- **DO NOT** allow children to play on or in this appliance. Close supervision of children is necessary when this appliance is used near children. Before the appliance is removed from service or discarded, remove the door or lid. Failure to follow these instructions may result in death or injury to persons.
- **DO NOT** reach into the appliance if the drum is moving to prevent accidental entanglement.
- **DO NOT** install or store this appliance where it will be exposed to the weather.
- **DO NOT** tamper with controls, repair or replace any part of this appliance or attempt any servicing unless specifically recommended in the user maintenance instructions or in published user repair instructions that you understand and have the skills to carry out.
- **DO NOT** climb or stand on this unit.
- **DO NOT** operate this appliance if it is damaged, malfunctioning, partially disassembled, or has missing or broken parts including a damaged cord or plug.
- Unplug the appliance or turn off the circuit breaker before servicing. Pressing the **Power** button **DOES NOT** disconnect power.
- See "ELECTRICAL REQUIREMENTS" located in the Installation Instructions for grounding instructions.

## READ AND SAVE THESE INSTRUCTIONS

# IMPORTANT SAFETY INFORMATION

## READ ALL INSTRUCTIONS BEFORE USING THE APPLIANCE

### Proper Disposal of your Appliance

- Dispose of or recycle your appliance in accordance with Federal and Local Regulations. Contact your local authorities for the environmentally safe disposal or recycling of your appliance.

### PROPER INSTALLATION

This unit must be properly installed and located in accordance with the Installation Instructions before it is used.

- Ensure that the hot water hose is connected to the “H” valve and the cold water hose is connected to the “C” valve.
- Install or store where it will not be exposed to temperatures below freezing or exposed to the weather, which could cause permanent damage and invalidate the warranty.
- Properly ground unit to conform with all governing codes and ordinances. Follow details in the Installation Instructions.
- Ensure unit is properly leveled and unit legs are adjusted such that unit is stable.
- GE Appliances strongly recommends the use of factory specified parts. A list of factory hoses available for purchase are listed. These hoses are manufactured and tested to meet GE Appliances specifications.
- GE Appliances strongly recommends the use of new water supply hoses. Hoses degrade over time and need to be replaced every 5 years to reduce the risk of hose failures and water damage.
- Consider recycling options for your appliance packaging material.

### WHEN NOT IN USE

- Turn off water faucets to minimize leakage if a break or rupture should occur. Check the condition of the fill hoses; GE Appliances recommends changing the hoses every 5 years.

### PARTS AND ACCESSORIES

Order on-line at [GEApplianceparts.com](http://GEApplianceparts.com) today, 24 hours a day or by phone at 877.959.8688 during normal business hours. In Canada, visit your local GE Appliances parts distributor or call 800.661.1616 or [GEAppliances.ca/en/products/parts-filters-accessories](http://GEAppliances.ca/en/products/parts-filters-accessories).

Part Number	Accessory
WH49X316	Drain Hose Extension
PM14X10002	4 ft - Rubber Water Supply Hoses
PM14X10005	4 ft - Braided Water Supply Hoses
WX10X10011	Tide® Washing Machine Cleaner*
PM7X1	Washer Floor Tray
GFA140SS	24" Front Load Riser - ADA Compliant with Plumbable Drip Pan

\*Tide® is a registered trademark of Procter & Gamble

## READ AND SAVE THESE INSTRUCTIONS

# Getting started

**⚠ WARNING** To reduce the risk of fire, electric shock, or injury to persons, read the IMPORTANT SAFETY INFORMATION before operating this appliance.

## Introduction

- This unit allows: wash only; dry only; wash and dry cycles.
- Fill the drum 2/3 full with laundry for best wash and dry performance. This allows air movement and proper drying. A fully loaded drum will lead to longer dry times.  
**NOTE:** During Dry cycles temperatures in the unit can get very hot. For this reason, the door will lock during the dry cycle and remain locked, after pausing or at the end of the cycle, until temperatures cool down. Forcing the door open will result in a broken door mechanism.
- This unit uses condenser drying technology. This enables installation and use without a vent, but loads take approximately 1.5 times longer to dry than a traditional vented dryer.


Throughout this manual, features and appearance may vary from your model.

## Quick Start

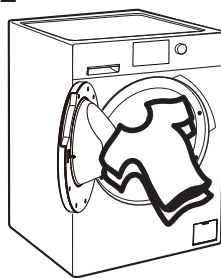
### Step 1

(Appearance will vary)



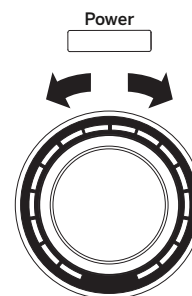
- Add fabric softener to the fabric softener dispenser; see page 14.
- Add the manufacturer's recommended amount of detergent. GE Appliances recommends the use of High Efficiency detergents such as  in your energy efficient unit. Place detergent pods in the bottom of the wash basket before adding clothes.

### Step 2



- Loosely add items. Overloading may negatively impact wash and dry performance. See page 15 for suggested loading examples.
  - Close door.
- NOTE:** Unit will not start with door open.

### Step 3



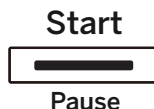
- If the screen is dark, press the Power button to "wake up" the display.
- Select a wash cycle. (Defaults are set for each wash cycle. These default settings can be changed. See Control settings for more information.)
- The unit can be used as a dryer only by turning the selector knob to one of the red dry cycles.

### Step 4



- Set the dry temperature by pressing the Dry pad. The unit will automatically run Auto Dry after the wash cycle is complete.
- Set Dry pad to Off to run a wash only cycle.

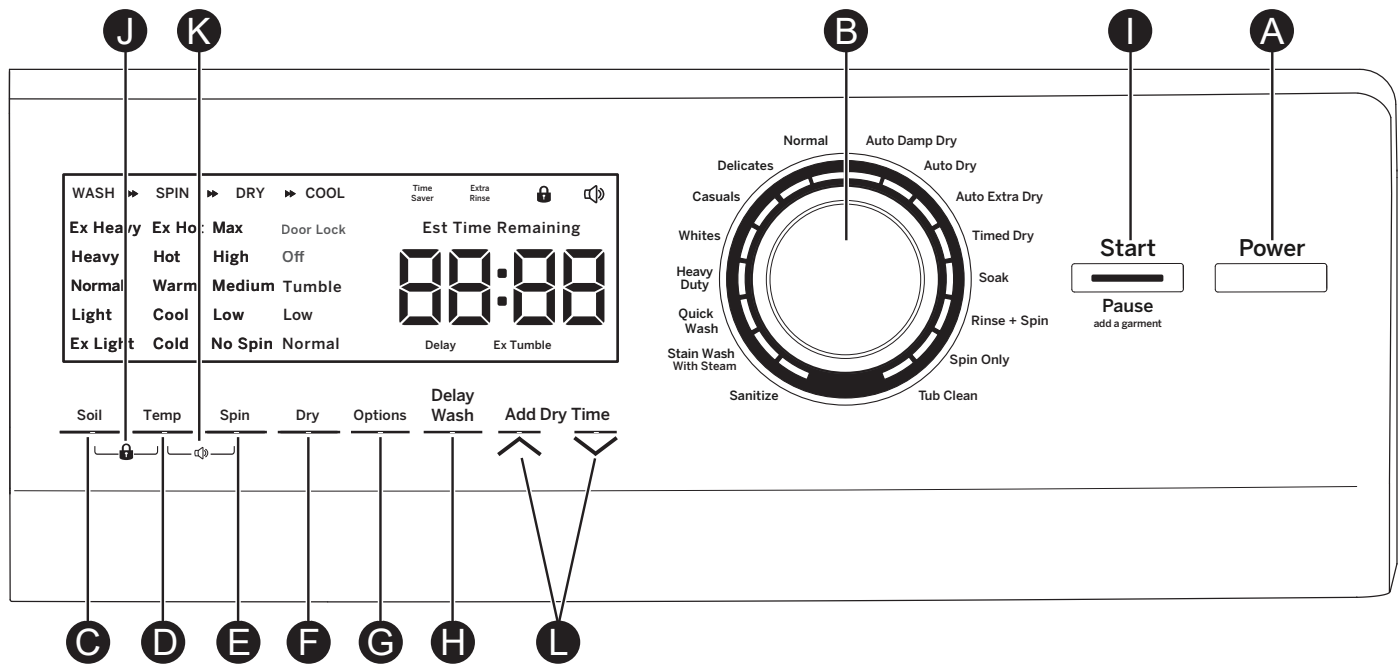
### Step 5



- Press the Start/Pause button.

# Getting started

## Controls



## Display and Status Lights

The display shows cycle status (WASH ► SPIN ► DRY ► COOL), the **Estimated Time Remaining** until the end of the cycle and the options selected. In addition, the display will show:

	Controls locked on.
	End of cycle signal on.
<b>Door Lock</b>	Door will lock from the start of the cycle until the end of the cool down phase.

**NOTE:** If an out-of-balance condition is detected by the unit, the **SPIN** light will blink during the remaining portion of the cycle and will stay illuminated for a short time after cycle completion. When this occurs, the unit is taking actions to correct the out-of-balance condition and complete the cycle normally. In some cases, the unit may not be able to balance the load and spin up to full speed. Run a **Spin Only** cycle.

### **A** Power

Press to “wake up” the display. If the display is active, press to put the unit into standby mode.

**NOTE:** Pressing **Power** does not disconnect the appliance from the power supply.

# Getting started

## B Cycles - Wash, Soak, Spin and Clean

The cycles are optimized for specific types of loads. The chart below will help you match the setting with the loads. The Gentle Wash™ lifters lightly tumble the clothes into the water and detergent solution to clean the load.

Items to Wash	Cycle	Soil Level	Wash Temp	Spin Selection	Dry	Options Available	Cycle Details
Cycle for normal, regular, or typical use for washing up to a full load of normally soiled cotton clothing.	Normal	Ex. Heavy Heavy <b>Normal</b> Light Ex. Light	Ex. Hot Hot <b>Warm</b> Cool Cold	<b>Max</b> High Medium No Spin	Off Tumble Low <b>Normal</b>	Time Saver Extra Rinse Extended Tumble Delay	Cycle for normal, regular, or typical use for washing up to a full load of normally soiled cotton clothing. Choose the Heavy or Extra Heavy soil level selection and Warm or Hot water temperature selection as appropriate for your clothes load for a higher degree of cleaning.
Lingerie and special care fabrics with light soil.	Delicates	Ex. Heavy Heavy <b>Normal</b> Light Ex. Light	Warm Cool <b>Cold</b>	High <b>Medium</b> Low No Spin	Off Tumble <b>Low</b> Normal	Time Saver Extra Rinse Extended Tumble Delay	For lightly soiled items labeled hand-washable. Provides gentle tumbling and soak during wash and rinse.
Casual clothes, lightly soiled office wear.	Casuals	Ex. Heavy Heavy <b>Normal</b> Light Ex. Light	Ex. Hot Hot Warm <b>Cool</b> Cold	<b>Max</b> High Medium Low No Spin	Off Tumble Low <b>Normal</b>	Time Saver Extra Rinse Extended Tumble Delay	Wash cycle tailored to care for casual clothes and office wear items.
Whites and household linens.	Whites	Ex. Heavy Heavy <b>Normal</b> Light Ex. Light	Ex. Hot Hot <b>Warm</b> Cool Cold	<b>Max</b> High Medium Low No Spin	Off Tumble Low <b>Normal</b>	Time Saver Extra Rinse Extended Tumble Delay	Cycle tailored to clean and brighten your whites.
Sturdy fabrics with heavy to medium soil.	Heavy Duty	Ex. Heavy <b>Heavy</b> Normal Light Ex. Light	Ex. Hot Hot <b>Warm</b> Cool Cold	<b>Max</b> High Medium Low No Spin	Off Tumble Low <b>Normal</b>	Time Saver Extra Rinse Extended Tumble Delay	Incorporates multi-step wash and soak periods combined with extended wash periods to effectively clean heavily to medium soiled sturdy fabrics.
Small loads of lightly soiled items that are needed in a hurry.	Quick Wash	Ex. Heavy Heavy Normal Light <b>Ex. Light</b>	Hot <b>Warm</b> Cool Cold	<b>Max</b> High Medium Low No Spin	Off Tumble Low <b>Normal</b>	Extra Rinse Extended Tumble Delay	For cleaning lightly soiled loads in the fastest time possible. Cycle time is approximately 33 minutes, depending on selected options.
Cycle for heavily soiled colorfast laundry.	Stain Wash with Steam	Ex. Heavy Heavy <b>Normal</b> Light Ex. Light	Ex. Hot Hot <b>Warm</b> Cool Cold	<b>Max</b> High Medium No Spin	Off Tumble Low <b>Normal</b>	Time Saver Extra Rinse Extended Tumble Delay	Add steam to the unit to assist with stain removal for heavily soiled colorfast laundry.



# Getting started

## B Cycles - Wash, Soak, Spin and Clean (Continued)

Items to Wash	Cycle	Soil Level	Wash Temp	Spin Selection	Dry	Options Available	Cycle Details
Heavily soiled colorfast items with the need for sanitization.	Sanitize	Ex. Heavy Heavy <b>Normal</b>	<b>Ex. Hot</b>	<b>Max</b> High Medium Low No Spin	Off Tumble Low <b>Normal</b>	Extra Rinse Extended Tumble Delay	Use this cycle to eliminate 99.9% of bacteria from fabrics. Cycle uses an increased water temperature and a longer wash cycle to provide the sanitization benefit. A longer rinse is incorporated to remove contaminants. For best results, select the Extra Heavy soil selection if available. See <b>NOTE</b> below.
Use to soak clothes.	Soak	Ex. Heavy Heavy <b>Normal</b> Light Ex. Light	Ex. Hot Hot <b>Warm</b> Cool Cold			Time Saver Extended Tumble Delay	The basket will fill with water to soak and gently agitate the load. At the end of the cycle the remaining water will be drained.
For items that need only to be rinsed, use this cycle.	Rinse + Spin			<b>Max</b> High Medium Low No Spin	<b>Off</b> Tumble Low Normal	Extra Rinse Extended Tumble Delay	To quickly rinse and spin out any items at any time. Utilizes a high speed spin to extract water from wet items. To achieve a drain and spin, deselect the Extra Rinse option. This cycle will dispense prewash detergent and fabric softener.
Use to spin dry clothes that have already been washed.	Spin Only			<b>Max</b> High Medium Low No Spin	<b>Off</b> Tumble Low Normal	Delay	Utilizes a high-speed spin to extract water from wet items.
Cleaning the tub of residue and odor. No clothes to be washed using this cycle.	Tub Clean					Delay	<b>Recommended use of at least once per month</b> to clean the basket of residue and odor. Never load laundry when using this cycle; laundry may become damaged. Cycle incorporates a hot extended wash, intense agitation action and a flush out of the pump.

**NOTE:** The **Sanitize** cycle water temperatures CANNOT be changed. The **Sanitize** cycle is certified by NSF International, an independent third party testing and certification organization.

The **Sanitize** certification verifies that the cycle reduced 99.9% of bacteria typically found in residential laundry and that no significant contamination is transferred to subsequent washer loads. Only the **Sanitize** cycle has been designed to meet the requirements of NSF Protocol P172 for sanitizing effectiveness.



NSF Protocol P172  
Sanitization Performance of Residential and  
Commercial, Family-Sized Clothes Washers

# Getting started

## **B** Cycles - Dry

The cycles are optimized for specific types of loads. The chart below will help you match the setting with the loads.

Items to Dry	Cycle	Soil Level	Wash Temp	Spin Selection	Dry	Options Available	Cycle Details
Use to dry clothes for a specific amount of time.	Timed Dry				Tumble Low <b>Normal</b>	Extended Tumble Delay	<ol style="list-style-type: none"> <li>Once the <b>Timed Dry</b> cycle is selected, press the arrow pads to increase or decrease the dry time.</li> <li>Select the dry <b>Temp.</b></li> <li>Close the door.</li> <li>Press <b>Start/Pause</b>.</li> </ol>
Use for drying heavy-duty fabrics or items that should be very dry, such as towels.	Auto Extra Dry				Tumble Low <b>Normal</b>	Extended Tumble Delay	The sensor continuously monitors the amount of moisture in the load by detecting temperature in the drum. The cycle ends when the moisture reaches the selected dry level.
Use for normal dryness level suitable for most loads. This is the preferred cycle for energy saving.	Auto Dry				Tumble Low <b>Normal</b>	Extended Tumble Delay	The sensor continuously monitors the amount of moisture in the load by detecting temperature in the drum. The cycle ends when the moisture reaches the selected dry level.
For leaving items partially damp.	Auto Damp Dry				Tumble Low <b>Normal</b>	Extended Tumble Delay	The sensor continuously monitors the amount of moisture in the load by detecting temperature in the drum. The cycle ends when the moisture reaches the selected dry level.

# Getting started

**C** Soil **Soil**  
 Changing the **Soil** level increases or decreases the wash time to remove different amounts of soil.  
 To change the **Soil** level, press the **Soil** level pad until you have reached the desired setting. You can choose between Extra Light, Light, Normal, Heavy or Extra Heavy soil.

**D** Temp **Temp**  
 Adjust to select the proper water temperature for the wash cycle. The rinse water is always cold to help reduce energy usage and reduce setting of stains and wrinkles.  
 Follow the fabric manufacturer's care label when selecting the wash temperature.  
 To change the wash temperature, press the **Temp** pad until you have reached the desired setting. You can choose between Cold, Cool, Warm, Hot or Extra Hot.

**E** Spin **Spin**  
 Changing the **Spin** setting changes the final spin speed of the cycles. Always follow the garment manufacturer's care label when changing the **Spin** setting.  
 To change the **Spin** setting, press the **Spin** setting pad until you have reached the desired setting. You can choose between No Spin, Low, Medium, High or Max. Higher spin speeds are not available on certain cycles, such as Delicates.  
 Higher spin speeds remove more water from the clothes and will help reduce dry time, but may also increase the possibility of setting wrinkles on some fabrics.

**F** Dry **Dry**  
 Changing **Dry** will change the temperature for your dry cycle:

<b>Normal</b>	For regular to heavy cottons, synthetics, blends, and items labeled permanent press.
<b>Low</b>	For delicates, synthetics, and items labeled Tumble Dry Low.
<b>Tumble</b>	Items are continuously tumbled without heat.
<b>Off</b>	Unit will skip dry cycle and wash only.

**G** Options **Options**  
 Press to select your desired options:

<b>Time Saver</b>	Time Saver uses more water and energy to reduce cycle time while maintaining wash and rinse performance.
<b>Extra Rinse</b>	This feature reduces the amount of residual detergent on the clothes at the end of the wash by adding a third rinse step after the main wash. Default setting, the machine runs a two-rinse step at the end of wash.
<b>Ex Tumble</b>	This function provides periodic tumbling for up to 8 hours after the entire cycle has completed to keep clothes fresh and deter wrinkles from setting. Use this function when you are not able to take out your clothes as soon as the cycle ends.

# Getting started

H

Delay Wash

## Delay Wash

Use to delay the start of your unit.

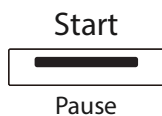
1. Choose your wash cycle and any options.
2. Press **Delay Wash** pad. You can change the delay time in 1-hour increments (up to 24 hours) each time you press the **Delay Wash** pad. Stop pressing the pad when your desired time is displayed.
3. Press the **Start/Pause** button to start the countdown.

The countdown time will be shown in the **Est Time Remaining** (Estimated Time Remaining) display.

### NOTES:

- If the door is opened while the unit is in **Delay Wash**, the countdown time will stop the count down and the display will show “door”. The door must be closed and the **Start/Pause** button must be pressed to continue the delay time count down.
  - You can delay the start of a wash cycle up to 24 hours.
- The light on the pad will light up when **Delay Wash** is on.

I



## Start/Pause

Press to start a wash cycle. If the unit is running, pressing it once will pause the unit and unlock the door. This function can be used to add garments during a cycle. Press again to restart the wash cycle.

**NOTE:** If the unit is paused and the cycle is not restarted within 15 minutes, the current wash cycle will be cancelled.

**NOTE:** In some cases the unit will drain first, then unlock the door when it is paused.

**NOTE:** The unit performs automatic system checks after pressing the **Start/Pause** button. Water will flow in 45 seconds or less. You may hear the door lock and unlock before water flows; this is normal.

J



## Lock

You can lock the controls to prevent any selections from being made. Or you can lock or unlock the controls after you have started a cycle.

Children cannot accidentally start the unit by touching pads with this option selected.

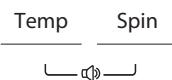
To lock the unit, press and hold the **Soil** and **Temp** pads together for 3 seconds.

To unlock the unit controls, press and hold the **Soil** and **Temp** pads together for 3 seconds. A sound is made to indicate the lock/unlock status.

The control lock icon on the display will light up when it is on.

**NOTE:** The **Power** button can still be used when the unit is locked.

K



## Signal

When the light is on, the unit will beep at the end of the cycle and every time you press a pad on the control panel.

To turn the signal off, press and hold the **Temp** and **Spin** pads together for 3 seconds. A sound is made to indicate the lock/unlock status.

L



## Add Dry Time

Press the up and down arrow pads to increase or decrease the **Dry** cycle time as desired.

**NOTE:** Only available on the **Timed Dry** cycle.



# Getting started

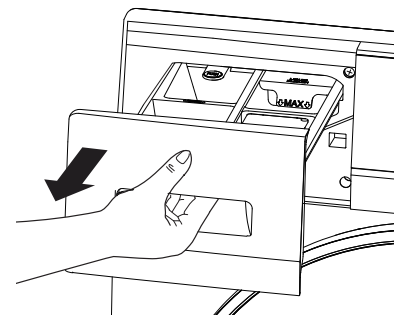
## Dispenser Drawer

Slowly open the dispenser drawer by pulling it out until it stops.

After adding laundry products, slowly close the dispenser drawer. Closing the drawer too quickly could result in early dispensing of the fabric softener or detergent.

You may see water in the fabric softener compartment at the end of the cycle. This is a result of the flushing/siphoning action and is part of the normal operation of the unit.

Use only HE High-Efficiency detergent



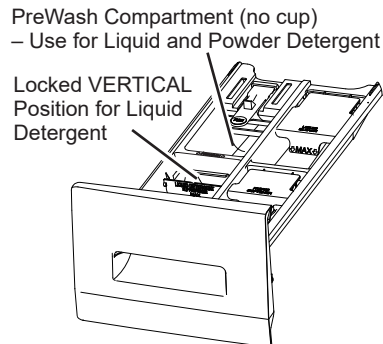
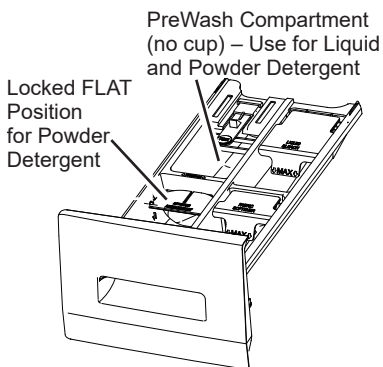
## Detergent Compartment

- Only use high-efficiency detergent in this unit. Use the detergent manufacturer's recommended amount. DO NOT fill above the MAX line.
- Detergent is flushed from the dispenser at the beginning of the wash cycle. Either powdered or liquid high-efficiency detergent can be used.
- Detergent usage may need to be adjusted for water temperature, water hardness, size and soil level of the load. Avoid using too much detergent in your unit since it can lead to oversudsing and detergent residue being left on the clothes.

## Divider Drawer System

The detergent compartment is in the **front left** of the dispenser drawer.

- **Powder Detergent** – Lock the detergent card flat into its top position in the compartment. Make sure the card is locked, then pour the suggested amount of powder detergent into the detergent dispenser.
- **Liquid Detergent** – Lock the detergent card vertically into its center position in the compartment. Make sure the card is locked, then pour the suggested amount of liquid detergent into the detergent dispenser.



## Fabric Softener Compartment

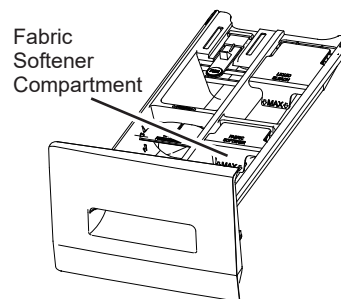
If desired, pour the recommended amount of liquid fabric softener into the compartment labeled "Fabric Softener."

Use only liquid fabric softener in the dispenser.

Dilute with water to the maximum fill line.

Do not exceed the maximum fill line. Overfilling can cause early dispensing of the fabric softener, which could stain clothes.

**NOTE:** Do not pour fabric softener directly on the wash load.



# Loading

Always follow fabric manufacturer's care label when laundering.

## Sorting and Loading

Sort by color (whites, lights, colors), soil level, fabric type (sturdy cottons, easy care, delicates) and whether the fabric produces lint (terry cloth, chenille) or collects lint (velveteen, corduroy). Wash lint producers such as cotton towels and socks separate from lint collectors including synthetic garments and dress pants.

**⚠ WARNING  - Fire Hazard**

- DO NOT** wash fabrics soiled with flammable liquids or cleaning solvents.
- No washer can completely remove oil.
- DO NOT** wash or dry anything that has been soaked in or spotted with any type of oil (including cooking oils).
- DO NOT** reach into the unit until all moving parts have stopped.
- Keep flammable materials and vapors, such as gasoline, away from the unit.
- Items containing foam, rubber, or plastic must be dried on a clothesline.
- Failure to do so can result in death, explosion, fire or amputation.

## Loading to Wash

The drum may be fully loaded with loosely added items when washing only. If washing and drying during the cycle, only load the drum to a maximum of 2/3 capacity to allow airflow during drying. Excessive loading for drying will lead to poor dry performance.

To add items after the unit has started, press **Start/Pause** and wait until the door is unlatched. The unit may take up to 30 seconds to unlock the door after pressing **Start/Pause** during the wash cycle, depending on the machine conditions. Unit may take up to 15 minutes to unlock the door if **Start/Pause** is pressed during a **Dry** cycle.

Do not try to force open the door when it is locked. After the door unlocks, open gently. Add items, close the door and press **Start/Pause** to restart.

## Wash Only Loading Examples

WORKWEAR	LINENS	MIXED LOAD	DELICATES*	QUICK WASH (2-3 GARMENTS)
3 Jeans 3 Work Wear Shirts 2 Work Wear Pants	1 Bath Sheet 6 Bath Towels/ 8 Washcloths 4 Hand Towels/ 1 Terrycloth Bath Mat <b>OR</b> 1 Flat Queen-Sized Sheet 1 Fitted Queen-Sized Sheet 2 Pillowcases	2 Pillowcases 1 Hand Towel 1 Flat Sheet/ 1 Fitted Sheet 2 Bath Towels/ 2 Washcloths <b>OR</b> 4 Shirts (Men's or Women's) 3 Pair Pants (Khakis or Twills) 3 T-shirts 4 Pairs of Boxers 2 Pairs of Shorts <b>OR</b> 4 T-shirts 2 Pairs of Sweatpants 2 Sweatshirts 1 Hoodie 5 Pairs of Socks	4 Bras 4 panties 2 Slips 1 Camisole 3 Nightgowns *Using a nylon mesh bag for small items is recommended.	2 Casual Wear Work Shirts 1 Pair Casual Wear Work Pants <b>OR</b> 3 Soccer Uniforms

## Loading for Dry Only or Wash and Dry Cycles

When running a dry only cycle or a wash and dry cycle, only load the drum to a maximum of 2/3 capacity to allow airflow during drying.

As a general rule, if clothes are sorted properly for the wash, they are sorted properly for the dry cycle. Try also to sort items according to size. For example, do not dry a sheet with socks or other small items.

Do not add fabric softener sheets once the load has become warm. They may cause fabric softener stains. Bounce® Fabric Conditioner Dryer Sheets have been approved for use in this unit when used in accordance with the manufacturer's instructions.

**Do not overload.** This wastes energy and causes wrinkling.

## Care and cleaning

### Water Supply Hoses

Periodically inspect all water inlet hoses for water leaks, wear, cuts, corrosion, and bulges. Replace all hoses immediately if any sign of these failures appear. All hoses should be replaced every 5 years of use to reduce risk of hose failures and possible water damage. When replacing hoses, refer to the Installation Instructions for proper installation. DO NOT overtighten or cross thread fittings. DO NOT allow the hose to rub against sharp objects, become kinked, or become over stretched. Always ensure hose rubber gaskets are installed and free from leaks when pressurized.

### Exterior

Immediately wipe off any spills. Wipe with damp cloth. Wipe or dust spills or washing compounds with a damp cloth. Unit control panel and finishes may be damaged by some laundry pretreatment and stain remover products. Apply these products away from the unit. The fabric may then be washed and dried normally. Damage to your unit caused by these products is not covered by your warranty. Do not hit surface with sharp objects.

### Interior

Dry around the door opening, flexible gasket (including attached hoses) and door glass. These areas should always be clean to ensure a watertight seal.

It is recommended to rinse the unit at least once per month with 1 cup of bleach (or other commercially available product manufactured for this purpose, such as Tide® Washing Machine Cleaner) poured directly into the basket without clothes and using the **Tab Clean** Cycle.

The interior of the appliance should be cleaned once a year by qualified service personnel.

### Stainless Steel

To clean stainless steel surfaces use a damp cloth with a mild, non-abrasive cleaner suitable for stainless steel surfaces. Remove the cleaner residue and then dry with a clean cloth.

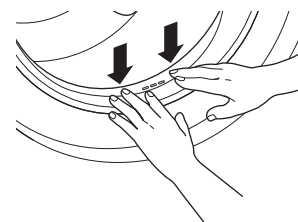
The stainless steel used to make the drum provides the highest reliability available in a GE Appliances unit. If the drum should be scratched or dented during normal use, the drum will not rust or corrode. These surface blemishes will not affect the function or durability of the drum.

### Door Gasket

Open the door. Using both hands, press down the door gasket. Remove any foreign objects if found trapped inside the gasket. Make sure there is nothing blocking the holes behind the gasket.

While holding down the door gasket, inspect the interior of the gasket by pulling it down with your fingers. Remove any foreign objects if found trapped inside this gasket. Make sure there is nothing blocking the holes behind the gasket.

When you are finished cleaning the door gasket, remove your hands and the gaskets will return to the operating position.

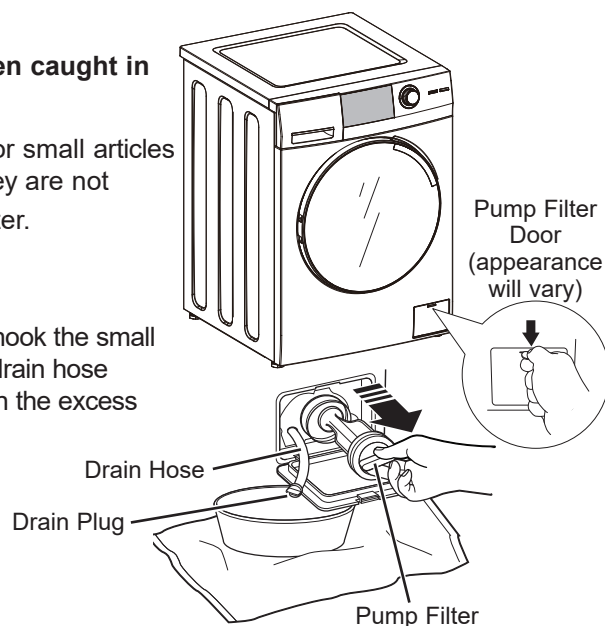


### Pump Filter

**Clean EVERY MONTH to remove any items that may have been caught in the filter or housing.**

Due to the nature of the front-load unit, it is sometimes possible for small articles to pass to the pump. The unit has a filter to capture lost items so they are not dumped to the drain. To retrieve lost items, clean out the pump filter.

- 1 Open the door on the bottom right of the front of the unit.
- 2 Twist the small white cap counterclockwise a quarter turn and unhook the small rubber hose. Pull the hose out of the hole and remove the white drain hose plug above a small pan to capture any water that may drain. Drain the excess water. Replace.
- 3 Unscrew the pump filter. Rinse off any debris. Replace.
- 4 Close the access door.



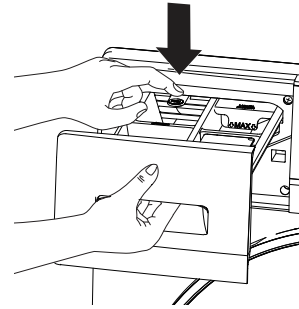


# Care and cleaning

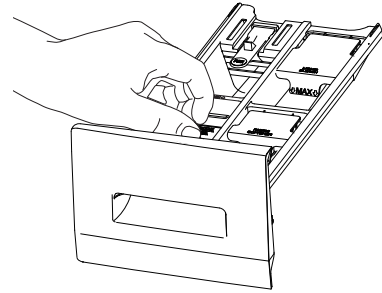
## Dispenser Drawer Area

Detergent and fabric softener may build up in the dispenser drawer. Residue should be removed once or twice a month.

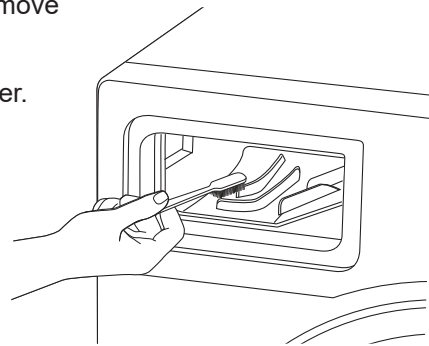
- Remove the drawer by first pulling it out until it stops. Then reach back into the rear of the drawer cavity and press down firmly on the lock tab, pulling out the drawer.



- Remove the insert from the dispenser drawer. Rinse the insert and drawer with hot water to remove traces of accumulated laundry products.



- To clean the drawer opening, use a small brush to clean the recess. Remove all residue from the upper and lower parts of the recess.
- Return inserts to the proper compartments. Replace the dispenser drawer.
- To reduce buildup in the Dispenser Drawer area:



Use only HE  
High-Efficiency  
detergent.



## Moving and Storage

Ask the service technician to remove water from drain pump and hoses. Do not store the unit where it will be exposed to the weather. When moving the unit, the tub should be kept stationary by using the shipping bolts removed during installation. See Installation Instructions in this manual. If these parts are not available, they can be ordered by visiting our Website at [GEApplianceparts.com](http://GEApplianceparts.com) or by calling GE Appliances at 877.959.8688. In Canada, visit your local GE Appliances parts distributor or call 800.661.1616 or [GEAppliances.ca/en/products/parts-filters-accessories](http://GEAppliances.ca/en/products/parts-filters-accessories).

## Long Vacations

Be sure water supply is shut off at faucets. Drain all water from hoses and water filter pump area if weather will be below freezing.

# Installation Instructions

# Combo Washer/Dryer

If you have any questions, call GE Appliances at 800.GE.CARES (800.432.2737) or visit our Website at: [GEAppliances.com](http://GEAppliances.com)  
In Canada, call 800.561.3344 or visit [GEAppliances.ca](http://GEAppliances.ca)

## BEFORE YOU BEGIN

Read these instructions completely and carefully.

- **IMPORTANT** – Save these instructions for local inspector's use.
- **IMPORTANT** – Observe all governing codes and ordinances.
- **Note to Installer** – Be sure to leave these instructions with the Consumer.
- **Note to Consumer** – Keep these instructions for future reference.
- **Skill level** – Installation of this appliance requires basic mechanical and electrical skills.
- **Completion time** – 1-3 hours
- Proper installation is the responsibility of the installer.
- Product failure due to improper installation is not covered under the Warranty.

## TOOLS REQUIRED FOR UNIT INSTALLATION

Safety Glasses



Gloves



Level



Wrench (provided)



Channel-lock adjustable pliers

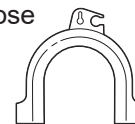


## PARTS SUPPLIED

Water Hoses (2)  
(Flat washers pre-installed)



Drain Hose Guide



Cable Tie



## LOCATION OF YOUR UNIT

### DO NOT Install the Unit:

1. In an area exposed to dripping water or outside weather conditions. The ambient temperature should never be below 60°F (15.6°C) for proper unit operation.
2. In an area where it will come in contact with curtains or drapes.
3. On carpet. The floor **MUST** be a hard surface with a maximum slope of 1/2" per foot (1.27 cm per 30 cm). To make sure the unit does not vibrate or move, you may have to reinforce the floor.

**NOTE:** If floor is in poor condition, use 3/4" impregnated plywood sheet solidly attached to existing floor covering.

### IMPORTANT:

#### Minimum Installation Clearances

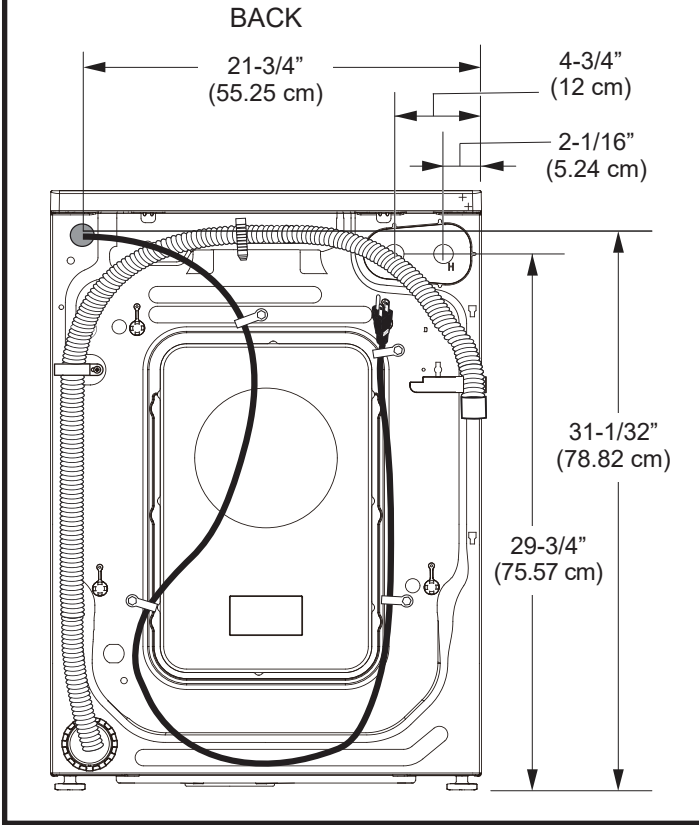
- When installed in alcove: Sides/Rear = 0" and Top = 1"
- When installed in closet: Sides/Rear = 0" and Top/Front = 1" (2.54 cm)
- Consideration must be given to provide adequate clearance for installation and service.
- Closet doors must be louvered or otherwise ventilated and have at least 60 square inches (387.1 cm<sup>2</sup>) of open area. If the closet contains a second laundry unit, doors must contain a minimum of 120 square inches (774.2 cm<sup>2</sup>) of open area.

## MOBILE HOME INSTALLATION:

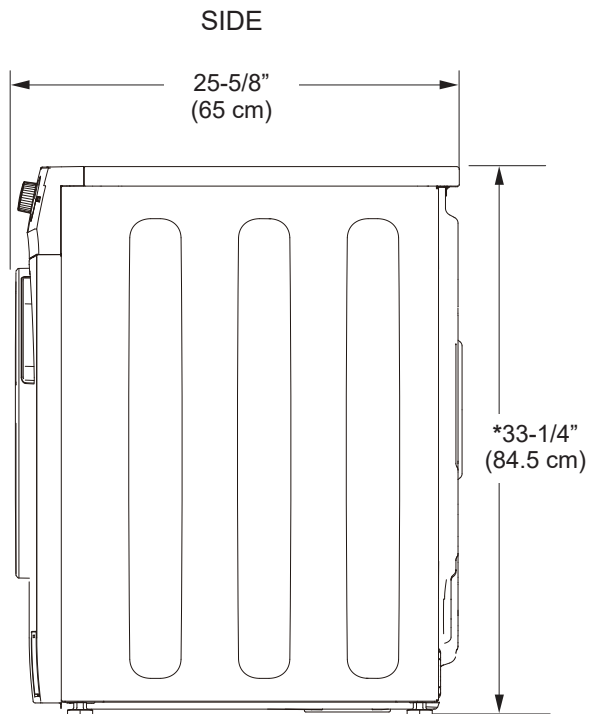
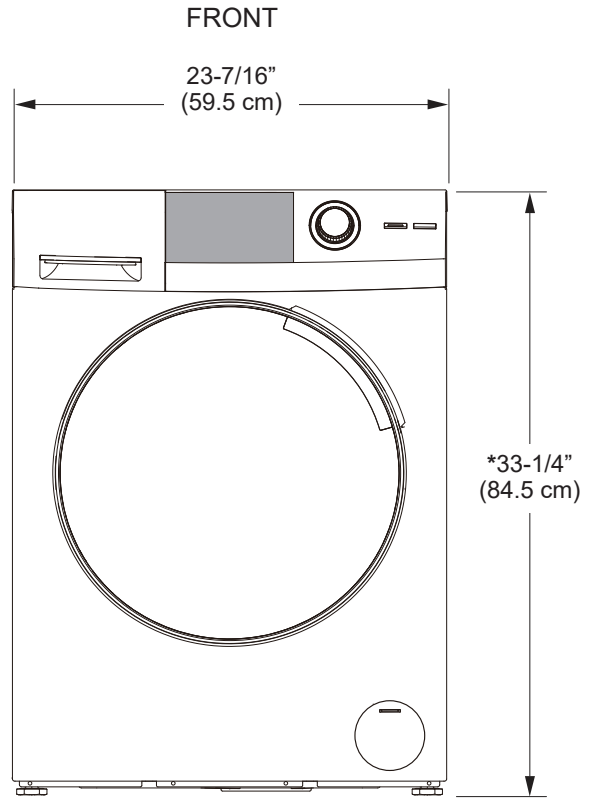
Installation must conform to Standard for Mobile Homes, ANSI A119.1 and National Mobile Home Construction and Safety Standards Act of 1974 (PL93-383).

# Installation Instructions

## CONNECTION DIMENSIONS



## ROUGH-IN DIMENSIONS



**\*NOTE:**

- Leveling legs retracted = 33-1/4" (84.5 cm)
- Leveling legs extended = 33-3/4" (85.5 cm)
- Stacked = 66-1/2" (169.0 cm)

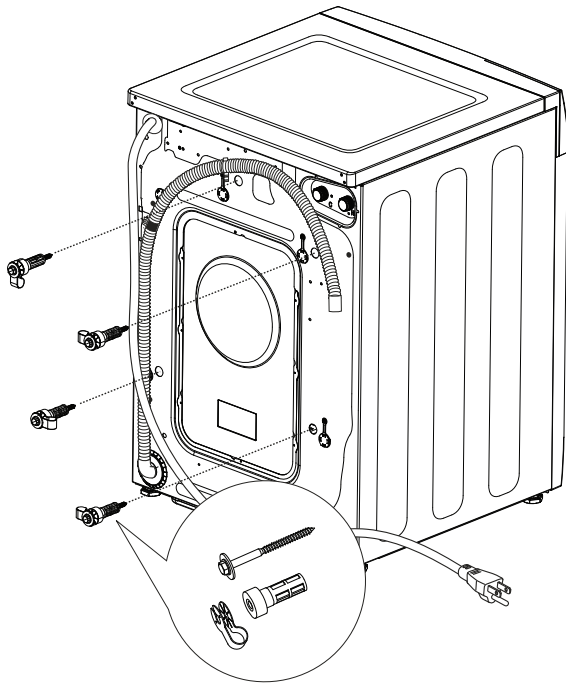
# Installation Instructions

## UNPACKING THE UNIT

**▲ WARNING** Recycle or destroy the carton and plastic bags after the unit is unpacked. Make materials inaccessible to children. Children might use them for play. Cartons covered with rugs, bedspreads or plastic sheets can become airtight chambers causing suffocation.

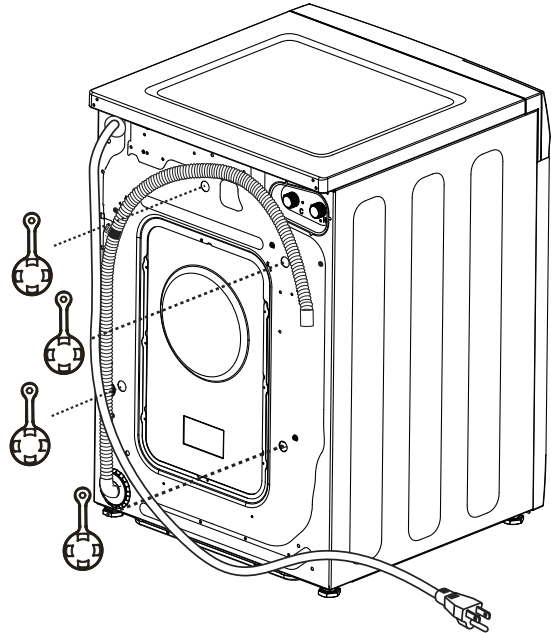
1. Cut and remove all packaging straps.
2. While it is in the carton, carefully lay the unit on its side. DO NOT lay the unit on its front or back.
3. Turn down the bottom flaps. Remove all base packaging including the styrofoam base.
4. Carefully return the unit to an upright position and remove the carton by lifting it upward.
5. Carefully move the unit to within 4 feet (122 cm) of the final location.
6. Remove the following from the back side of the unit:
  - 4 bolts
  - 4 plastic spacers (including rubber grommets)

**NOTE:** Do NOT remove the screw or clip holding the hose.



## UNPACKING THE UNIT (cont.)

7. Insert shipping bolt hole covers into shipping bolt holes.



### NOTES:

- Failure to remove the shipping braces can cause the unit to become severely unbalanced.
- **IMPORTANT:** Save all bolts for future use.

If you must transport the unit at a later date, you must reinstall the shipping support hardware to prevent shipping damage. Keep the hardware in the plastic bag provided.

**NOTE:** Consider recycling options for your appliance packaging material.

# Installation Instructions

## ELECTRICAL REQUIREMENTS

### **⚠ WARNING** - Electrical Shock Hazard

Plug into a grounded 3-prong outlet.

**DO NOT** remove ground prong.

**DO NOT** use an adapter.

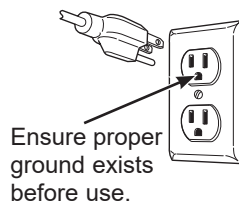
**DO NOT** use an extension cord.

Failure to follow these instructions can result in death, fire or electrical shock.

**CIRCUIT** – Individual, properly polarized and grounded 15 or 20 amp circuit breaker or time-delay fuse.

**POWER SUPPLY** – 2 wire plus ground, 120 Volt, single phase, 60 Hz, alternating current.

**Outlet Receptacle** – Properly grounded 3-prong receptacle to be located so the power cord is accessible when the unit is in an installed position. If a 2-prong receptacle is present, it is the owner's responsibility to have a licensed electrician replace it with a properly grounded 3-prong grounding type receptacle.



Unit must be electrically grounded in accordance with local codes and ordinances, or in the absence of local codes, with latest edition of the NATIONAL ELECTRICAL CODE, ANSI/NFPA NO. 70 or CANADIAN ELECTRICAL CODE, CSA C22.1. Check with a licensed electrician if you are not sure that the unit is properly grounded.

## GROUNDING INSTRUCTIONS

This appliance must be grounded. In the event of malfunction or breakdown, grounding will reduce the risk of electric shock by providing a path of least resistance for electric current. This appliance is equipped with a cord having an equipment-grounding conductor and a grounding plug. The plug must be plugged into an appropriate outlet that is properly installed and grounded in accordance with all local codes and ordinances.

**⚠ WARNING** Improper connection of the equipment-grounding conductor can result in a risk of electrical shock. Check with a qualified electrician, or service representative or personnel, if you are in doubt as to whether the appliance is properly grounded. **DO NOT** modify the plug on the power supply cord. If it will not fit the outlet, have a proper outlet installed by a qualified electrician.

If required by local codes, an external 18 gauge or larger copper ground wire (not provided) may be added. Attach to unit cabinet with a #10-16 x 1/2" sheet metal screw (available at any hardware store) to rear of unit.

### **⚠ WARNING** - Electrical Shock Hazard

Disconnect power supply before servicing.

Replace all parts and panels before operating.

Failure to do so can result in death or electrical shock.

### **⚠ WARNING** - Shock Hazard

Certain internal parts are intentionally not grounded and may present a risk of electric shock only during servicing.

**Service personnel – DO NOT** contact the following parts while the appliance is energized: water valve, drain pump, NTC, motor, fan capacitor, fan motor, heater, door lock, inverter board and MC board.

## WATER SUPPLY REQUIREMENTS

Hot and cold water faucets **MUST** be installed within 42 inches (107 cm) of your unit's water inlet. The faucets **MUST** be 3/4" (1.9 cm) garden hose-type so inlet hoses can be connected. Water pressure **MUST** be between 10 and 120 pounds per square inch. Your water department can advise you of your water pressure. The hot water temperature should be set to deliver water at 120° to 140°F (48°–60°C) to provide proper Automatic Temperature Control (ATC) performance.

## DRAIN REQUIREMENTS

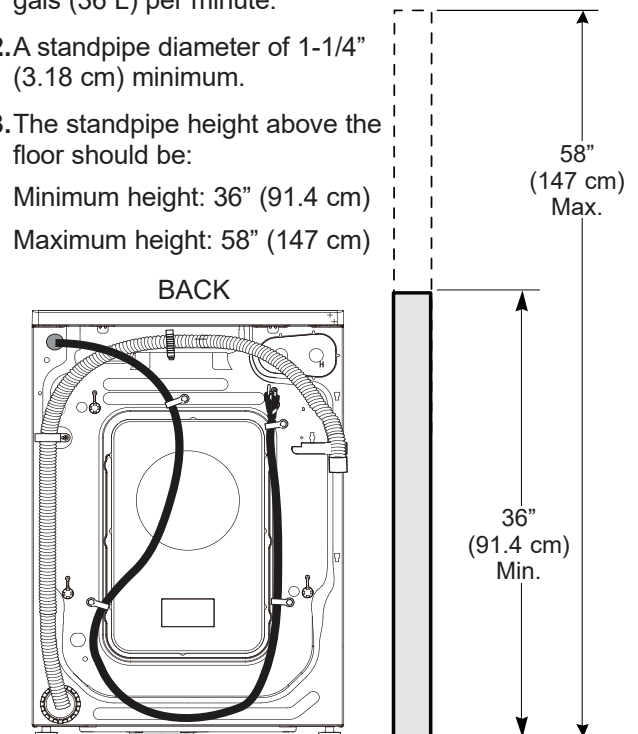
1. Drain capable of eliminating 9.5 gals (36 L) per minute.

2. A standpipe diameter of 1-1/4" (3.18 cm) minimum.

3. The standpipe height above the floor should be:

Minimum height: 36" (91.4 cm)

Maximum height: 58" (147 cm)



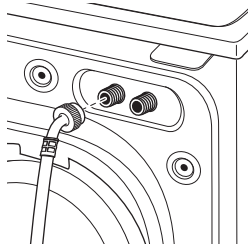
# Installation Instructions

## INSTALLING THE UNIT

1. Run some water from the hot and cold faucets to flush the water lines and remove particles that might clog the water valve screens.
2. Remove the inlet hoses from the plastic bag. Remove black rubber washers from bag and insert into hose fitting before connecting to unit.

3. (90° elbow end)

Carefully connect the inlet hose marked HOT to the outside "H" outlet of the water valve. Tighten by hand; then tighten another 2/3 turn with pliers. Carefully connect the other inlet hose to the inside "C" outlet of the water valve. Tighten by hand; then tighten another 2/3 turn with pliers. **Do not cross-thread or overtighten these connections.**



4. Connect the inlet hose ends to the HOT and COLD water faucets tightly by hand; then tighten another 2/3 turn with pliers. Turn the water on and check for leaks.



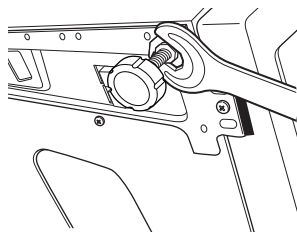
5. Carefully move the unit to its final location.

Gently rock the unit into position. It is important not to damage the rubber leveling legs when moving your unit to its final location. Damaged legs can increase appliance vibration. It may be helpful to spray window cleaner on the floor to help move your unit into its final position. **NOTE: To reduce vibration, ensure that all four rubber leveling legs are firmly touching the floor. Push and pull on the back right and then back left of your unit.**

**NOTE:** Do not use the dispenser drawer or door to lift the unit.

**NOTE:** If you are installing into a drain pan, you can use a 24-inch-long 2x4 to lever the unit into place.

6. With the unit in its final position, place a level on top of the unit (if the unit is installed under a counter, the unit should not be able to rock). Adjust the front leveling legs up or down to ensure the unit is resting solidly and level front-to-back and left-to-right. It may also be necessary to adjust the rear legs. Turn the locknuts on each leg up toward the base of the unit and snug with a wrench.

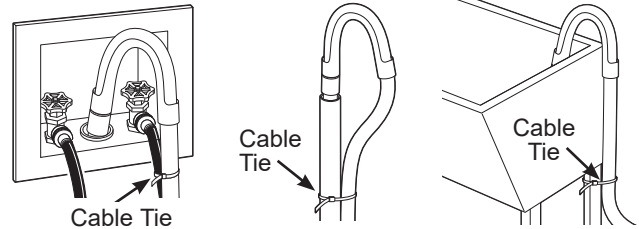


**NOTE: Keep the leg extension at a minimum to prevent excessive vibration. The farther out the legs are extended, the more the unit will vibrate.**

If the floor is not level or is damaged, you may have to extend the rear leveling legs.

## INSTALLING THE UNIT (cont.)

7. Attach U-shaped hose guide to the end of the drain hose. Place the hose in a laundry tub or standpipe and secure it with the cable tie provided in the enclosure package.



**NOTE:** If the drain hose is placed in a standpipe without forming a U shape, a siphoning action could occur. There must be an air gap around the drain hose. A snug hose fit can also cause a siphoning action.

**NOTE:** Do not place drain hose deeper than 7" into the drain. 4" - 7" is suggested. Deeper than 7" can cause a siphoning action.

8. Plug the power cord into a grounded outlet.

**NOTE:** Check to be sure the power is off at the circuit breaker/fuse box before plugging the power cord into an outlet.

9. Turn on the power at the circuit breaker/fuse box.

10. Read the rest of this Owner's Manual. It contains valuable and helpful information that will save you time and money.

11. Before starting the unit, check to make sure:

- Main power is turned on.
- The unit is plugged in.
- The water faucets are turned on.
- The unit is level and all four leveling legs are firmly on the floor.
- The shipping support hardware is removed and saved.
- The drain hose is properly tied up.
- There are no leaks at the faucet, drain line or unit.

12. Run the unit through a complete cycle. Check for water leaks and proper operation.

13. If your unit does not operate, please review the **Troubleshooting Tips** section before calling for service.

14. Place these instructions in a location near the unit for future reference.

## REPLACEMENT PARTS

If replacement parts are needed for your unit, they can be ordered in the United States by visiting our Website at [GEApplianceparts.com](http://GEApplianceparts.com) or by calling GE Appliances at 877.959.8688. In Canada, visit [GEAppliances.ca/en/products/parts-filters-accessories](http://GEAppliances.ca/en/products/parts-filters-accessories) or call 800.661.1616.

# Troubleshooting Tips... Before you call for service

Problem	Possible Cause	What To Do
Not draining Not spinning Not tumbling	Load is out of balance	Redistribute clothes and run <b>Rinse+Spin</b> . Increase load size if washing small load containing heavy and light items.
	Pump filter may be clogged	See the <b>Care and Cleaning</b> section on how to clean the <b>Pump Filter</b> .
	Drain hose is kinked or improperly connected	Straighten drain hose and make sure unit is not sitting on it.
	Household drain may be clogged	Check household plumbing. You may need to call a plumber.
	Drain hose siphoning; drain hose pushed too far down the drain	Ensure there is an air gap between hose and drain.
Leaking water	Door gasket is damaged	Check to see if gasket is seated and not torn. Objects left in pockets may cause damage to the unit (nails, screws, pens, pencils) Water may drip from the door when the door is opened. This is a normal operation. Carefully wipe off rubber door seal. Sometimes dirt or clothing is left in this seal and can cause a small leak
	Check back left of the unit for water	If this area is wet, you have oversudsing condition. Use less detergent.
	Fill hoses or drain hose is improperly connected	Make sure hose connections are tight at unit and faucets and make sure end of drain hose is correctly inserted in and secured to drain facility.
	Household drain may be clogged	Check household plumbing. You may need to call a plumber.
	Dispenser clogged	Powder soap may cause clogs inside the dispenser and cause water to leak out the front of the dispenser. Remove drawer and clean both drawer and inside of dispenser box. Please refer to <b>Care and Cleaning</b> section.
	Incorrect use of detergent	Use only HE and correct amount of detergent.
Clothes too wet	Load is out of balance	Redistribute clothes and run <b>Rinse+Spin</b> . Increase load size if washing small load containing heavy and light items.
	Pump filter may be clogged	See the <b>Care and Cleaning</b> section on how to clean the <b>Pump Filter</b> .
	Overloading	Load your unit so clothes have enough room to move freely.
	Drain hose is kinked or improperly connected	Straighten drain hose and make sure unit is not sitting on it.
	Household drain may be clogged	Check household plumbing. You may need to call a plumber.
	Drain hose siphoning; drain hose pushed too far down the drain	Ensure there is an air gap between hose and drain.

## Troubleshooting Tips... Before you call for service

Problem	Possible Cause	What To Do
Incomplete cycle or timer not advancing	Automatic load redistribution	Timer stops at 1 minute; machine has redistributed the load once or twice. This is normal operation. Do nothing; the machine will finish the wash cycle.
	Pump filter may be clogged	See the <b>Care and Cleaning</b> section on how to clean the <b>Pump Filter</b> .
	Drain hose is kinked or improperly connected	Straighten drain hose and make sure unit is not sitting on it.
	Household drain may be clogged	Check household plumbing. You may need to call a plumber.
	Drain hose siphoning; drain hose pushed too far down the drain	Ensure there is an air gap between hose and drain.
Loud or unusual noise; vibration or shaking	Cabinet moving	Unit is designed to move 1/4" to reduce forces transmitted to the floor. This movement is normal.
	All rubber leveling legs are not firmly touching the floor	Push and pull on the back right and then back left of your unit to check if it is level. If the unit is uneven, adjust the rubber leveling legs so they are all firmly touching the floor and locked in place.
	Unbalanced load	Pause unit, open door and manually redistribute load. To check machine, run rinse and spin with no load. If normal, unbalance was caused by load.
	Pump filter may be clogged	See the <b>Care and Cleaning</b> section on how to clean the <b>Pump Filter</b> .
No power/unit not working or dead	Unit is unplugged	Make sure cord is plugged securely into a working outlet.
	This is normal. Control panel is "asleep".	Press the <b>Power</b> button to "wake up" the display.
	Unit was accidentally paused when starting Delay Dry	If the light on the Start/Pause button is flashing, the unit is paused. Press Start/Pause button to restart the countdown.
	Water supply is turned off	Turn both hot and cold faucets fully on.
	Circuit breaker/fuse is tripped/blown	Check house circuit breakers/fuses. Replace fuses or reset breaker. Unit should have separate outlet.
	Automatic self system checks	First time the unit is plugged in, automatic checks occur. It may take up to 20 seconds before you can use your unit. This is normal operation.
Snags, holes, tears, rips or excessive wear	Pens, pencils, nails, screws or other objects left in pockets	Remove loose items from pockets.
	Pins, snaps, hooks, sharp buttons, belt buckles, zippers and sharp objects left in pockets	Fasten snaps, hooks, buttons and zippers.
Control time wrong or changes	This is normal	During spin the unit may need to rebalance the load sometimes to reduce vibrations. When this happens, the estimated time is increased causing time left to increase or jump.
Not enough water	This is normal	Horizontal machines do not require the tub to fill with water like top-load machines.
Unit pauses or has to be restarted, or its door is locked and will not open	Pump filter may be clogged	See the <b>Care and Cleaning</b> section on how to clean the <b>Pump Filter</b> .



# Troubleshooting Tips... Before you call for service

Problem	Possible Cause	What To Do
Door unlocks or press Start and machine doesn't operate	This is normal	Front-load machines start up differently than top-load machines, and it takes several seconds to check the system. The door will lock and unlock.
	Incorrect operation	Simply open and close the door firmly; then press <b>Start</b> .
Water does not enter unit or enters slowly	Automatic self system checks	After <b>Start</b> is pressed, the unit does several system checks. Water will flow several seconds after <b>Start</b> is pressed.
	Water valve screens are stopped up	Turn off the water source and remove the water connection hoses from the upper back of the unit. Use a brush or toothpick to clean the screens in the machine. Reconnect the hoses and turn the water back on.
	Inlet hose screen washers are stopped up	Turn off the water source and remove the inlet hoses from the wall faucets. Use a brush or toothpick to clean the screen washers in the end of the hoses. Reconnect the hoses and turn the water back on.
	Pump filter may be clogged	See the <b>Care and Cleaning</b> section on how to clean the <b>Pump Filter</b> .
	Fill hoses may be kinked	Check that fill hoses are not kinked or clogged.
	Water supply is turned off	Turn on both hot and cold faucets fully.
	Energy efficiency	This is an energy-efficient unit. As a result, the temperature settings for this unit may be different than for a non-energy-efficient unit.
	Insufficient water supply	Make sure that the water supply is turned on. Make sure that the water faucets are turned to their completely open position.
	The door is open	The door must be closed for all cycle operations. If the door is opened during operation, all functions will stop, including water filling.
	Incorrect fill hose connection	Make sure that the fill hoses connect the hot water supply to the hot inlet on the unit and the cold water supply to the cold inlet on the unit (hot to hot, cold to cold).
Wrinkling	Improper sorting	Avoid mixing heavy items (like work clothes) with light items (like blouses).
	Overloading	Load your unit so clothes have enough room to move freely. For best drying results, load the unit 2/3 full.
	Incorrect wash cycle	Match cycle selection to the type of fabric you are washing (especially for easy care loads).
	Repeated washing in water that is too hot	Wash in warm or cold water.
Grayed or yellowed clothes	Not enough detergent	Use correct amount of detergent.
	Not using HE (high efficiency) detergent	Use only HE detergent.
	Hard water	Use hottest water safe for fabric.
		Use a water conditioner like Calgon brand or install a water softener.
	Water is not hot enough	Make sure water heater is delivering water at 120°–140°F (48°–60°C).
	Detergent is not dissolving	Try a liquid HE detergent.
Dye transfer	Sort clothes by color. If fabric label states wash separately, unstable dyes may be indicated.	

## Troubleshooting Tips... Before you call for service

Problem	Possible Cause	What To Do
Colored spots	Incorrect use of fabric softener	Check fabric softener package for instructions and follow directions for using dispenser.
	Dye transfer	Sort whites or lightly colored items from dark colors. Promptly remove wash load from unit.
Water temperature is incorrect	Water supply is improperly connected	Make sure hoses are connected to correct faucets.
	House water heater is not set properly	Make sure house water heater is delivering water at 120°–140°F (48°–60°C).
Slight variation in metallic color	This is normal	Due to the metallic properties of paint used for this unique product, slight variations of color may occur due to viewing angles and lighting conditions.
Bad odor inside your machine	Unit unused for a long time, not using recommended quality of HE detergent or used too much detergent	Run a <b>Tub Clean</b> cycle.
		In case of strong odor, you may need to run the <b>Tub Clean</b> cycle more than once.
		Use only the amount of detergent recommended on the detergent container.
		Use only HE (high efficiency) detergent.
		Always remove wet items from the unit promptly after machine stops running.  Leave the door slightly open for the water to air dry. Close supervision is necessary if this appliance is used by or near children. Do not allow children to play on or in this or any other appliance.
Detergent leak	Incorrect placement of detergent insert	Make sure detergent insert is properly located and fully seated. Never put detergent above max line.
	This is normal	It is normal operation to see detergent leak on door gasket about 20 seconds after filling the dispenser.
Improper dispensing of softener	Dispenser clogged	Monthly clean the dispenser drawer to remove buildup of chemicals.
	Softener is filled above the max line	Make sure to have the correct amount of softener.
	Softener cap issue	Make sure softener cap for dispenser is seated or it will not work.
Dispenser drawer not dispensing properly	Laundry detergent packet placed in dispenser drawer	Laundry detergent packets should not be used in the dispenser. They should only be added directly to the wash tub following the manufacturer's directions.
Pump running while unit is not in use	Clog in sump drain	This is normal. Drain sump is detecting an undesired water fill level from a potential open faucet. Shut off water valve and inspect water valve for blockage.

# Troubleshooting Tips... Before you call for service

Problem	Possible Cause	What To Do
Clothes take too long to dry	Improper sorting	Separate heavy items from lightweight items (generally, a well-sorted washer load is a well-sorted dryer load).
	Large loads of heavy fabrics (like beach towels)	Large, heavy fabrics contain more moisture and take longer to dry. Separate large, heavy fabrics into smaller loads to speed drying time.
	Non-venting unit	Condensing dryers usually take longer to dry than a vented dryer.
	Controls improperly set	Match control settings to the load you are drying.
	Blown fuses or tripped circuit breaker	Replace fuses or reset circuit breakers. Since most dryers use 2 fuses/breakers, make sure both are operating.
	Overloading/combining loads	Do not put more than one washer load in the unit at a time.
	Underloading	If you are drying only one or two items, add a few items to ensure proper tumbling.
The Dry dryness level was chosen but load is still damp	Load consists of a mixture of heavy and light fabrics	When combining heavy and light fabrics in a load, choose <b>Auto Extra Dry</b> .
Control buttons not responding	Controls accidentally put in service mode	Press <b>Start/Pause</b> .
	Controls accidentally put in lock mode	Hold the <b>Soil</b> and <b>Temp</b> buttons for 3 seconds to unlock the unit.
	Controls performed an incorrect operation	Reset the in-house breaker.
No numbers displayed during cycle, only lights	Unit is continuously monitoring the amount of moisture in the clothes	This is normal. When the unit senses a low level of moisture in the load, the unit will display the dry time remaining.
Time Remaining jumped to a lower number	The estimated time may change when a smaller load than usual is drying	This is normal.
Cannot make a selection and the unit beeps twice	The dryness Level, Temp or option that you are trying to select is incompatible with the chosen dry cycle	This is normal.
Unit is running but 00 is displayed in Time Remaining	The Ext Tumble option was chosen	This is normal. During extended tumbling, the time remaining is not displayed. The extended tumbling option lasts approximately 60 minutes.

## Troubleshooting Tips... Before you call for service

Problem	Possible Causes	What To Do
Unit doesn't heat	Fuse is blown/circuit breaker is tripped; the unit may tumble but not heat	Check the building's fuse/circuit breaker box and replace both fuses or reset both breakers. Your unit may tumble if only one fuse is blown or one breaker tripped.
Inconsistent drying times	Type of load and drying conditions	The load size, types of fabric, wetness of clothes and/or air intake vent located on the front of the unit will affect drying times.
	Excess debris has collected on the fan preventing proper airflow	Refer to the <b>Care and Cleaning</b> section.
Clothes are still wet and unit shuts off after a short time	The door was opened mid-cycle. The load was then removed from the unit and a new load put in without selecting a new cycle	A dry cycle must be reselected each time a new load is put in.
	Load was already dry except for collars and waistbands	Choose <b>Timed Dry</b> to dry damp collars and waistbands. In the future, when drying a load with collars and waistbands, choose <b>Auto Extra Dry</b> .
	Unit is not level	Move unit to an even floor space or adjust leveling legs as necessary until even.
Clothes are wrinkled	Letting items sit in unit after cycle ends	Remove items when cycle ends and fold or hang immediately, or use the <b>Ext Tumble</b> option.
	Overloading	Separate large loads into smaller ones.
Clothes shrink	Some fabrics will naturally shrink when washed. Others can be safely washed, but will shrink while drying in the unit.	To avoid shrinkage, follow garment care labels exactly. Some items may be pressed back into shape after drying. If you are concerned about shrinkage in a particular item, do not machine wash or tumble dry it.
Greasy spots on clothes	Improper use of fabric softener	Follow directions on fabric softener package.
	Drying dirty items with clean ones	Use your unit to dry only clean items. Dirty items can stain clean items and the unit.
	Clothes were not completely clean	Sometimes stains which cannot be seen when the clothes are wet appear after drying. Use proper washing procedures before drying.
Lint on clothes	Improper sorting	Sort lint producers (like chenille) from lint collectors (like corduroy).
	Static electricity can attract lint	See suggestions in this section under <b>Static occurs</b> .
	Overloading	Separate large loads into smaller ones.
	Paper, tissue, etc., left in pockets	Empty all pockets before laundering clothes.
Static occurs	No fabric softener was used	Try a fabric softener.
	Synthetics, permanent press and blends can cause static	Try a fabric softener.

## Troubleshooting Tips... Before you call for service

Problem	Possible Causes	What To Do
Collars and waistbands still wet at end of cycle	The dryness monitor senses that the body of the clothes is dry	Choose <b>Timed Dry</b> to dry damp collars and waistbands. In the future, when drying a load with collars and waistbands, choose <b>Auto Extra Dry</b> .
Unit continues to tumble after display says Complete	Ext Tumble was selected	Ensure <b>Ext Tumble</b> option is not selected.

## Consumer Help Indicator

CHI is the way to communicate a simple remedy for some situations that the consumer can perform without the need to call for service. The chart below describes the helpful messages the consumer may notice scrolling on the display when they return to start another load. These messages will provide simple remedies the consumer can quickly perform.

"Spin" icon blinking	If an out-of-balance condition is detected by washer, Spin icon will blink during remaining portion of cycle and will stay illuminated for a short time after cycle stops. When this occurs, washer is taking actions to correct out-of-balance condition and complete cycle normally. In some cases, washer may not be able to balance load and spin up to full speed.
"CLrFLtr"	Slow drain detected during washer spin and drain cycles. Turn unit off and shut-off its water supply. Disconnect drain pump filter drain hose and clean drain pump filter on the unit. Reconnect after cleaning.
"H2O supply" (Water not entering washer)	Check house water supply. Did you forget to turn on one or both supply valves after installation or coming back from vacation? As soon as the message starts to scroll, washer will initiate a 4 minute lock-out period. Washer controls won't respond/change during this time. After 4 minutes, you can begin your cycle again. If you try to bypass lock-out period by unplugging the washer, 4 minute timer will start over again.
"Door"	"Door" will be shown on display if 3 cycles have been started without opening door. Washer will not start another cycle until door is opened.
"CAnCELEd"	"CAnCELEd" may scroll on the display if the machine was paused for longer than 24 hours, water was left in the machine for 15 minutes with door open or if the machine has stopped itself before the cycle completed due to certain faults. As soon as the message starts to scroll, the Combi will enter lock-out period. The Combi controls won't respond/change during this time. Machine can bypass the lock-out period by pressing the power button or unplugging the Combi.



# GE Appliances Washer/Dryer Limited Warranty

**LIMITED WARRANTY**

## GEAppliances.com

All warranty service is provided by our Factory Service Centers, or an authorized Customer Care® technician. To schedule service online, visit us at [GEAppliances.com/service](http://GEAppliances.com/service), or call GE Appliances at 800.GE.CARES (800.432.2737). Please have your serial number and your model number available when calling for service.

Servicing your appliance may require the use of the onboard data port for diagnostics. This gives a GE Appliances factory service technician the ability to quickly diagnose any issues with your appliance and helps GE Appliances improve its products by providing GE Appliances with information on your appliance. If you do not want your appliance data to be sent to GE Appliances, please advise your technician not to submit the data to GE Appliances at the time of service.

For the period of:	We will replace:
<b>One year</b> From the date of the original purchase	<b>Any part</b> of the washer/dryer which fails due to a defect in materials or workmanship. During this <b>limited one-year warranty</b> , we will also provide, <b>free of charge</b> , all labor and related service to replace the defective part.

### What is not covered:

- Service trips to your home to teach you how to use the product.
- Improper installation, delivery or maintenance.
- Failure of the product if it is abused, misused, or used for other than the intended purpose or used commercially.
- Replacement of house fuses or resetting of circuit breakers.
- Products which are not defective or broken, or which are working as described in the Owner's Manual.
- Damage to the product caused by accident, fire, floods or acts of God.
- Incidental or consequential damage caused by possible defects with this appliance.
- Defects or damage due to operation in freezing temperatures.
- Damage caused after delivery.
- Product not accessible to provide required service.
- Cleaning of condenser to restore product drying performance.

### EXCLUSION OF IMPLIED WARRANTIES

Your sole and exclusive remedy is product repair as provided in this Limited Warranty. Any implied warranties, including the implied warranties of merchantability or fitness for a particular purpose, are limited to one year or the shortest period allowed by law.

### In the United States:

This limited warranty is extended to the original purchaser and any succeeding owner for products purchased for home use within the USA. If the product is located in an area where service by a GE Appliances Authorized Servicer is not available, you may be responsible for a trip charge or you may be required to bring the product to an Authorized GE Appliances Service location for service. In Alaska, the limited warranty excludes the cost of shipping or service calls to your home.

Some states do not allow the exclusion or limitation of incidental or consequential damages. This limited warranty gives you specific legal rights, and you may also have other rights which vary from state to state. To know what your legal rights are, consult your local or state consumer affairs office or your state's Attorney General.

**Warrantor: GE Appliances, a Haier Company**  
**Louisville, KY 40225**

### In Canada:

This limited warranty is extended to the original purchaser and any succeeding owner for products purchased in Canada for home use within Canada. If the product is located in an area where service by a GE Appliances Authorized Servicer is not available, you may be responsible for a trip charge or you may be required to bring the product to an Authorized GE Appliances Service location.

Some provinces do not allow the exclusion or limitation of incidental or consequential damages. This limited warranty gives you specific legal rights, and you may also have other rights which vary from province to province. To know what your legal rights are, consult your local or provincial consumer affairs office.

**Warrantor: MC Commercial Inc., Burlington, ON, L7R 5B6**

**Extended Warranties:** Purchase a GE Appliances extended warranty and learn about special discounts that are available while your warranty is still in effect. You can purchase it online anytime at

[GEAppliances.com/extended-warranty](http://GEAppliances.com/extended-warranty)

or call 800.626.2224 during normal business hours. GE Appliances Service will still be there after your warranty expires.

Staple your receipt here. Proof of the original purchase date is needed to obtain service under the warranty.

# Consumer Support

---

## GE Appliances Website

Have a question or need assistance with your appliance? Try the GE Appliances Website 24 hours a day, any day of the year! You can also shop for more great GE Appliances products and take advantage of all our on-line support services designed for your convenience. In the US: **GEAppliances.com**

In Canada: **GEAppliances.ca**

---

## Register Your Appliance

Register your new appliance on-line at your convenience! Timely product registration will allow for enhanced communication and prompt service under the terms of your warranty, should the need arise. You may also mail in the pre-printed registration card included in the packing material. In the US: **GEAppliances.com/register**

In Canada: **GEAppliances.ca/after-sales-support**

---

## Schedule Service

Expert GE Appliances repair service is only one step away from your door. Get on-line and schedule your service at your convenience any day of the year. In the US: **GEAppliances.com/service** or call 800.432.2737 during normal business hours.

In Canada: **GEAppliances.ca/after-sales-support** or call 800.561.3344.

---

## Extended Warranties

Purchase a GE Appliances extended warranty and learn about special discounts that are available while your warranty is still in effect. You can purchase it on-line anytime. GE Appliances Services will still be there after your warranty expires. In the US: **GEAppliances.com/extended-warranty** or call 800.626.2224 during normal business hours.

In Canada: **GEAppliances.ca/purchase-extended-warranty** or call 866.277.9842.

---

## Remote Connectivity

For assistance with wireless network connectivity (for models with remote enable), in the US visit our website at **GEAppliances.com/connect** or call 800.220.6899.

In Canada: **GEAppliances.ca/connected-appliances** or call 800.220.6899

---

## Parts and Accessories

Individuals qualified to service their own appliances can have parts or accessories sent directly to their homes (VISA, MasterCard and Discover cards are accepted). Order on-line today 24 hours every day.

In the US: **GEApplianceparts.com** or by phone at 877.959.8688 during normal business hours.

In Canada: **GEAppliances.ca/parts-filters-accessories** or call 800.661.1616.

**Instructions contained in this manual cover procedures to be performed by any user. Other servicing generally should be referred to qualified service personnel. Caution must be exercised, since improper servicing may cause unsafe operation.**

---

## Contact Us

If you are not satisfied with the service you receive from GE Appliances, contact us on our Website with all the details including your phone number, or write to:

In the US: General Manager, Customer Relations | GE Appliances, Appliance Park | Louisville, KY 40225  
**GEAppliances.com/contact** or call 800.626.2000

In Canada: Director, Customer Relations | MC Commercial Inc. | Suite 300, 5420 North Service Road | Burlington, ON L7L 6C7  
**GEAppliances.ca/contact-us** or call 877.994.5366





# Laveuse à vapeur et sècheuse à condensation à chargement frontal **COMBINAISON**

<b>CONSIGNES DE SÉCURITÉ</b> .....	3
<b>UTILISATION DE LA APPAREIL</b>	
Comment démarrer .....	6
Chargement .....	15
<b>ENTRETIEN ET NETTOYAGE</b> .....	16
<b>INSTALLATION D'INSTALLATION</b> .....	18
<b>CONSEILS DE DÉPANNAGE</b> .....	23
<b>INDICATEUR D'AIDE AU CONSOMMATEUR</b> .....	29
<b>GARANTIE LIMITÉE</b> .....	31
<b>SOUTIEN AU CONSOMMATEUR</b> .....	32

**GUIDE DE L'UTILISATEUR ET INSTRUCTIONS D'INSTALLATION**

GFQ14

Inscrivez ici les numéros de modèle et de série :

Modèle # \_\_\_\_\_

Série # \_\_\_\_\_

Vous les trouverez sur une étiquette placée à l'intérieur de la porte.

## **NOUS VOUS REMERCIONS D'ACCUEILLIR GE APPLIANCES CHEZ VOUS**

---

Que vous ayez grandi avec GE Appliances ou qu'il s'agisse de votre première acquisition, nous sommes heureux de vous accueillir dans notre famille.

Nous sommes fiers du savoir-faire, de l'innovation et de l'esthétique qui composent chaque appareil GE Appliances, et nous pensons que vous le serez aussi. Dans cette optique, nous vous rappelons que l'enregistrement de votre électroménager vous assure la communication de renseignements importants sur le produit et la garantie lorsque vous en avez besoin.

Enregistrez votre électroménager GE en ligne dès maintenant. Des sites Web et des numéros de téléphone utiles figurent dans la section Soutien au consommateur de ce manuel d'utilisation. Vous pouvez aussi poster la fiche de garantie préimprimée incluse dans l'emballage.



**GE APPLIANCES**

# CONSIGNES DE SÉCURITÉ IMPORTANTES

## LIRE TOUTES LES CONSIGNES AVANT D'UTILISER L'APPAREIL

### ▲ AVERTISSEMENT

Pour réduire les risques de décès, d'incendie, d'explosion, de choc électrique ou de blessures lorsque vous utilisez votre appareil, suivez les mesures de sécurité de base, notamment :

- Lisez toutes les instructions avant d'utiliser l'appareil.
- Suivez toutes les instructions et avertissements de soin des tissus pour éviter que les vêtements fondent ou des dommages à l'appareil.
- **NE** nettoyez et **NE** séchez **PAS** d'articles qui ont été nettoyés, lavés, trempés ou tachés avec de l'essence, du solvant pour nettoyage à sec ou d'autres produits combustibles ou substances explosives, car ces derniers peuvent dégager des vapeurs qui pourraient s'enflammer ou exploser.
- **N'ajoutez PAS** de l'essence, du solvant pour nettoyage à sec ou d'autres produits combustibles ou substances explosives à l'eau de lavage. Ces substances peuvent dégager des vapeurs qui pourraient s'enflammer ou provoquer une explosion.
- **NE** placez **PAS** d'articles exposés aux huiles de cuisson dans cet appareil. Les articles souillés par les huiles de cuisson peuvent faciliter des réactions chimiques susceptibles d'enflammer une brassée. Pour réduire le risque d'incendie en raison de charges contaminées, la dernière partie du cycle de sèche-linge se produit sans chaleur (période de refroidissement). À la fin du cycle, la porte demeure verrouillée durant la période de refroidissement afin de vous protéger des surfaces qui deviennent très chaudes pendant le séchage. La période de refroidissement dure environ 10 minutes avant le déverrouillage de la porte.
- **NE** sécher **PAS** des articles qui contiennent du caoutchouc mousse ou des matières à texture caoutchouteuse similaire.
- **NE** rangez **PAS** de matières combustibles, de l'essence ni d'autres liquides inflammables à proximité de la appareil. Gardez la zone autour de l'admission d'air à l'avant de la appareil et tout l'espace adjacent libres de charpie, de poussière et de saletés.
- L'intérieur de l'appareil doit être nettoyé régulièrement par du personnel qualifié.
- **N'ajoutez PAS** de feuille assouplissante pour sècheuse dans l'appareil lors du lavage.
- **NE** vaporisez **AUCUN** type d'aérosol dans, sur ou à proximité de la appareil, et ce en tout temps. **N'utilisez AUCUN** type de nettoyant en vaporisateur lorsque vous nettoyez l'intérieur de la appareil. Cela poserait un risque de vapeurs dangereuses ou de choc électrique.
- Dans certaines conditions, de l'hydrogène peut se former dans un circuit d'eau chaude qui n'a pas été utilisé pendant deux semaines ou plus. L'HYDROGÈNE EST UN GAZ EXPLOSIF. Si le circuit d'eau chaude n'a pas été utilisé pendant une telle période, ouvrez tous les robinets d'eau chaude et laissez l'eau couler pendant plusieurs minutes avant d'utiliser votre laveuse. Ainsi, l'hydrogène accumulé sera évacué du système. Ce gaz étant inflammable, **NE** fumez **PAS** et n'utilisez pas de flamme nue pendant cette opération.
- **NE** laissez **PAS** les enfants jouer sur ou à l'intérieur de cet appareil. La présence d'enfants près de cet appareil lorsqu'il est en marche doit faire l'objet d'une étroite supervision. Avant de mettre cet appareil au rebut ou hors service, retirez la porte ou le couvercle. Le non-respect de ces instructions peut entraîner le décès ou des blessures.
- **NE** mettez **PAS** la main dans l'appareil lorsque le tambour est en mouvement pour éviter d'être happé accidentellement.
- **N'installez** ou n'entrez **PAS** cet appareil dans un endroit où il sera exposé aux intempéries.
- **NE** modifiez **PAS** les commandes, ne réparez ou ne remplacez pas de pièce de cet appareil et ne tentez pas d'effectuer une réparation, sauf si cette procédure est recommandée expressément dans les instructions d'entretien de l'utilisateur ou dans les instructions de réparation de l'utilisateur et que vous possédez les connaissances et les aptitudes requises pour le faire.

## LIRE ET CONSERVEZ CES DIRECTIVES

# CONSIGNES DE SÉCURITÉ IMPORTANTES

## LIRE TOUTES LES CONSIGNES AVANT D'UTILISER L'APPAREIL

**⚠ AVERTISSEMENT**

Pour réduire les risques de décès, d'incendie, d'explosion, de choc électrique ou de blessures lorsque vous utilisez votre appareil, suivez les mesures de sécurité de base, notamment :

- **ABSTENEZ-VOUS** de grimper ou de vous tenir sur l'appareil.
- **N'utilisez PAS** cet appareil s'il est endommagé, s'il fonctionne mal, s'il est partiellement démonté ou si certaines de ses pièces manquent ou sont cassées (y compris le cordon d'alimentation ou la fiche).
- Débranchez l'appareil ou fermez son disjoncteur avant de procéder à l'entretien. Appuyer sur le bouton d'alimentation **Power** de l'appareil **NE** le déconnecte **PAS** de l'alimentation.
- Consultez la section sur le « EXIGENCES ÉLECTRIQUES » des instructions d'installation pour obtenir les procédures de mise à la terre.

**Mise au rebut adéquate de votre électroménager**

- Veuillez jeter ou recycler votre électroménager conformément aux règlements fédéraux ou locaux. Communiquez avec les instances locales pour en savoir plus sur la mise au rebut ou le recyclage de votre électroménager.

## LIRE ET CONSERVEZ CES DIRECTIVES

# CONSIGNES DE SÉCURITÉ IMPORTANTES

## LIRE TOUTES LES CONSIGNES AVANT D'UTILISER L'APPAREIL

### INSTALLATION APPROPRIÉE

Cette appareil doit être installée conformément aux instructions d'installation avant d'être utilisée.

- Assurez-vous que le boyau d'eau chaude est raccordé au robinet « H » et que le boyau d'eau froide est raccordé au robinet « C ».
- Installez ou entreposez l'appareil à un endroit où il ne sera exposé ni à des températures en dessous du point de congélation ni aux intempéries; l'appareil pourrait subir des dommages permanents et la garantie serait annulée.
- Mettez l'appareil à la terre conformément aux codes et règlements en vigueur. Suivez les instructions détaillées de la section « Instructions d'installation ».
- Veillez à ce que l'appareil soit bien de niveau et que les pieds soient correctement réglés pour que cet appareil soit stable.
- GE Appliances recommande fortement d'utiliser les pièces spécifiées du fabricant. Une liste de boyaux manufacturés disponibles pour l'achat est indiquée. Ces boyaux ont été fabriqués et testés afin de répondre aux spécifications de GE Appliances.
- GE Appliances recommande fortement d'utiliser de nouveaux boyaux d'alimentation en eau. Les boyaux se dégradent avec le temps et doivent être remplacés tous les cinq ans afin de réduire le risque de bris de boyau et de dégâts d'eau.
- Considérez les options de recyclage des matériaux d'emballage de votre électroménager.

### LORSQUE L'APPAREIL N'EST PAS UTILISÉ

- Fermez les robinets d'eau pour réduire les fuites en cas de tuyau cassé. Vérifiez l'état des tuyaux de remplissage. GE Appliances recommande de les remplacer tous les 5 ans.

### PIÈCES ET ACCESSOIRES

Consultez votre annuaire local pour un détaillant de pièces autorisé ou appelez-nous au 800.661.1616 ou [Electromenagersge.ca/fr/produits/filtres-et-accessoires](http://Electromenagersge.ca/fr/produits/filtres-et-accessoires).

Numéro de pièce	Accessoire
WH49X316	Rallonge de tuyau de vidange
PM14X10002	Boyaux d'alimentation en eau en caoutchouc de 4 pi (1,2 m)
<b>Ou</b>	
PM14X10005	Boyaux d'alimentation en eau de type tressé de 4 pi (1,2 m)
WX10X10011	Nettoyant pour appareil Tide®*
PM7X1	Plateau de plancher pour appareil
GFA140SS	Piédestal 24 po pour chargement frontal – Conformité ADA avec égouttoir raccordable

\*Tide® est une marque déposée de Procter & Gamble

## LIRE ET CONSERVEZ CES DIRECTIVES

# Comment démarrer

**AVERTISSEMENT** Pour réduire le risque d'incendie, de choc électrique ou de blessure, lisez les CONSIGNES DE SÉCURITÉ IMPORTANTES avant de faire fonctionner cet appareil.

## Introduction

- Cet appareil autorise les cycles suivants : lavage seulement; séchage seulement; lavage et séchage.
- Remplissez le tambour de linge sale au 2/3 pour les meilleurs résultats de lavage et de séchage. Cela permet la circulation d'air et un séchage efficace. Un tambour totalement plein demandera des périodes de séchage plus longues.

**REMARQUE** : Pendant les cycles de séchage, les températures dans l'appareil peuvent devenir très chaudes. Pour cette raison, la porte se verrouille durant le cycle de séchage et demeure verrouillée jusqu'à ce que l'intérieur se refroidisse. Si le bouton **Start/Pause** est enfoncé à la moitié d'un cycle pour ajouter un vêtement, l'appareil passera au statut de cycle de « refroidissement » et la porte restera verrouillée tant que la machine n'aura pas atteint une température de refroidissement sécuritaire. Ceci peut durer jusqu'à 15 minutes selon les conditions à l'intérieur de la machine. Forcer l'ouverture de la porte occasionnera le bris du mécanisme de la porte.

- Cet appareil utilise une technologie de séchage par condensation. Cela permet d'installer et d'utiliser l'appareil sans ventilation, mais la brassée mettra environ 1,5 fois le temps pour sécher comparé à une sècheuse conventionnelle ventilée.

Les caractéristiques et l'apparence de la cuisinière montrée dans ce manuel peuvent varier selon le modèle.


## Démarrage rapide

### Étape 1

(l'apparence varie)



- Ajoutez de l'assouplissant dans le distributeur d'assouplissant; consultez la page 14.

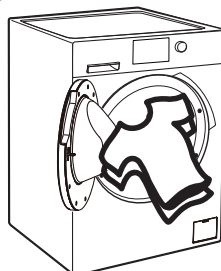
- Ajoutez la quantité de détergent recommandée par le fabricant. GE Appliances recommande l'utilisation de détergents Haute Efficacité tels que  dans votre appareil écoénergétique. Placez les dosettes de détergent dans le fond du tambour avant d'ajouter des vêtements.

### Étape 4



- Réglez la température de séchage en pressant la touche Dry (séchage). L'appareil passera automatiquement au cycle Auto Dry (séchage automatique) une fois le cycle de lavage terminé.
- Réglez la touche Dry à Off (arrêt) pour activer seulement un cycle de lavage.

### Étape 2

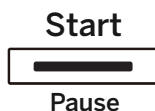


- Chargez le linge sans le tasser. Charger trop de linge peut avoir un impact négatif sur la performance de lavage et de séchage. Consultez la page 15 pour obtenir des suggestions de chargement.

- Fermez la porte.

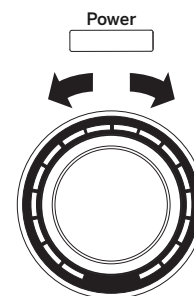
**REMARQUE** : L'appareil ne démarre pas lorsque la porte est ouverte.

### Étape 5



- Appuyez sur le bouton Start/Pause (Départ/Pause).

### Étape 3



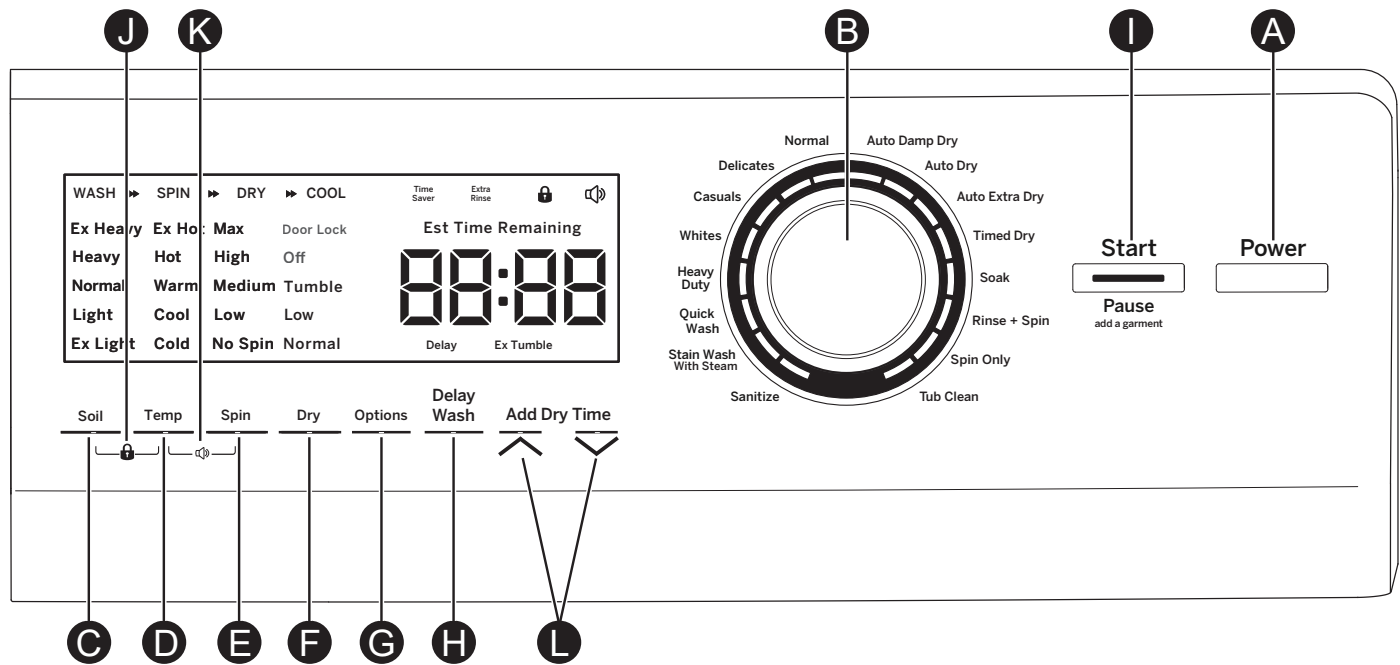
- Si l'écran est obscur, appuyez sur le bouton Power (alimentation) pour activer l'afficheur.

- Sélectionnez le cycle de lavage. (Des réglages par défaut sont établis pour chaque cycle de lavage. Ces réglages peuvent être changés. Consultez la section Réglage des contrôles pour de plus amples renseignements.)

- On peut utiliser l'appareil comme sècheuse seulement en tournant le cadran de sélection à l'un des cycles de séchage rouges.

# Comment démarrer

## Contrôles



## Affichage et voyants d'état

L'affichage indique l'état du (WASH ► SPIN ► DRY ► COOL), la **Estimated Time Remaining** (durée estimée restante) jusqu'à la fin du cycle et les options sélectionnées. De plus, l'affichage montrera :

	Verrouillage des commandes.
	Sonnerie de fin de cycle activée.
<b>Door Lock</b>	La porte se verrouille depuis le début du cycle jusqu'à la fin de l'étape du refroidissement.

**REMARQUE** : Si une condition de déséquilibre est détectée par l'appareil, le voyant d'essorage (**SPIN**) clignotera pendant le restant du cycle et restera allumé pendant une courte période de temps une fois le cycle terminé. Lorsque cela se produit, l'appareil prend des mesures pour corriger la condition de déséquilibre et terminer le cycle normalement. Dans certains cas, il est possible que l'appareil ne puisse pas être en mesure d'équilibrer la charge et essorer à pleine vitesse. Exécuter un cycle **Spin Only** (Essorage seulement).

### **A** Power (Alimentation)

Appuyez pour activer l'affichage. Si l'affichage est actif, appuyez pour mettre l'appareil en mode d'attente.

**REMARQUE** : Vous ne débranchez pas votre appareil de l'alimentation électrique en appuyant sur **Power** (Alimentation).

## Comment démarrer

### B Cycles - Lavage, Trempage, Essorage et Nettoyage

Les cycles sont optimisés pour des catégories particulières de charges. Le tableau ci-dessous vous aidera à trouver un réglage qui correspond à votre charge. Les pales élévatrices Gentle Wash™ font délicatement culbuter les vêtements dans la solution d'eau et de détergent pour les laver.

Articles à laver	Cycle	Degré saleté	Temp. Lavage	Sélection essorage	Sec	Options disponibles	Description du cycle
Cycle pour une utilisation normale, régulière ou typique pour le lavage jusqu'à une charge complète de vêtements de coton normalement sale.	Normal	Ex. sale Très sale <b>Normal</b> Légèrement Extrém. Légèrement	Très chaude Chaude <b>Tiède</b> Frais Froide	<b>Max</b> Rapide Modéré Pas d'essorage	Off Culbutage Bas <b>Normal</b>	Économie de temps Rinçage supplémentaire Culbutage prolongé Retard	Cycle pour une utilisation normale, régulière ou typique pour le lavage jusqu'à une charge complète de vêtements de coton normalement sale. Choisissez les options de degré de saleté Très sale ou Extrêmement sale et les températures Chaude ou Très chaude selon la charge de vêtements et le degré de nettoyage à obtenir.
Pour la lingerie fine et les tissus à entretien spécial, légèrement sales.	Delicates (Déliçats)	Ex. sale Très sale <b>Normal</b> Légèrement Extrém. Légèrement	Tiède Frais <b>Froide</b>	Rapide <b>Modéré</b> Lent Pas d'essorage	Off Culbutage <b>Bas</b> Normal	Économie de temps Rinçage supplémentaire Culbutage prolongé Retard	Pour les articles étiquetés lavage à la main peu sales. Assure un trempage et un culbutage délicats pendant le lavage et le rinçage.
Tout-aller, vêtements de travail peu sales.	Casuals (Tout-Aller)	Ex. sale Très sale <b>Normal</b> Légèrement Extrém. Légèrement	Très chaude Chaude Tiède <b>Frais</b> Froide	<b>Max</b> Rapide Modéré Lent Pas d'essorage	Off Culbutage Bas <b>Normal</b>	Économie de temps Rinçage supplémentaire Culbutage prolongé Retard	Cycle de lavage adapté au tout-aller et aux vêtements de travail.
Blancs et linge de maison.	Whites (Blancs)	Ex. sale Très sale <b>Normal</b> Légèrement Extrém. Légèrement	Très chaude Chaude <b>Tiède</b> Frais Froide	<b>Max</b> Rapide Modéré Lent Pas d'essorage	Off Culbutage Bas <b>Normal</b>	Économie de temps Rinçage supplémentaire Culbutage prolongé Retard	Cycle conçu pour laver et aviver les blancs.
Tissus résistants sales à très sales.	Heavy Duty (Intensif)	Ex. sale <b>Très sale</b> Normal Légèrement Extrém. Légèrement	Très chaude Chaude <b>Tiède</b> Frais Froide	<b>Max</b> Rapide Modéré Lent Pas d'essorage	Off Culbutage Bas <b>Normal</b>	Économie de temps Rinçage supplémentaire Culbutage prolongé Retard	Intègre un lavage et en trempage en plusieurs étapes associées à des périodes de lavage prolongées pour nettoyer efficacement les tissus résistants sales à très sales.
Petites charges d'articles légèrement sales dont on a un besoin pressant.	Quick Wash (Lavage Rapide)	Ex. sale Très sale <b>Normal</b> Légèrement Extrém. <b>Légèrement</b>	Chaude <b>Tiède</b> Frais Froide	<b>Max</b> Rapide Modéré Lent Pas d'essorage	Off Culbutage Bas <b>Normal</b>	Rinçage supplémentaire Culbutage prolongé Retard	Pour laver les brassées légèrement sales le plus rapidement possible. La durée du cycle est d'environ 33 minutes, selon les options choisies.
Cycle pour du linge grand-teint très sale.	Stain Wash with Steam	Ex. sale Très sale <b>Normal</b> Légèrement Extrém. Légèrement	Très chaude Chaude <b>Tiède</b> Frais Froide	<b>Max</b> Rapide Modéré Pas d'essorage	Off Culbutage Bas <b>Normal</b>	Économie de temps Rinçage supplémentaire Culbutage prolongé Retard	Ajoutez la vapeur à la machine pour une meilleure élimination des tâches sur un linge grand-teint très sale.



# Comment démarrer

## B Cycles - Lavage, Trempage, Essorage et Nettoyage (Suite)

Articles à laver	Cycle	Degré saleté	Temp. Lavage	Sélection essorage	Sec	Options disponibles	Description du cycle
Articles de couleur foncée très sales nécessitant l'enlèvement des allergènes.	Sanitize (Désinfecter)	Ex. sale Très sale <b>Normal</b>	Très chaude	<b>Max</b> Rapide Modéré Lent Pas d'essorage	Off Culbutage Bas <b>Normal</b>	Rinçage supplémentaire Culbutage prolongé Retard	Utilisez ce cycle pour éliminer 99,9 % des bactéries des tissus. La température d'eau et la durée de lavage de ce cycle sont augmentées afin d'obtenir la désinfection. Un rinçage prolongé est intégré afin de retirer les contaminants. Pour les meilleurs résultats, sélectionnez l'option Extra Heavy soil (Extrêmement sale) si elle est offerte. Voir <b>REMARQUE</b> ci-dessous.
Articles à faire tremper.	Soak (Trempage)	Ex. sale Très sale <b>Normal</b> Légèrement Extrém. Légèrement	Très chaude Chaude <b>Tiède</b> Frais Froide			Économie de temps Culbutage prolongé Retard	La cuve se remplit d'eau pour tremper et délicatement agiter la brassée. À la fin du cycle, l'eau résiduelle est évacuée.
Pour les articles qui n'ont besoin que de rinçage, utilisez ce cycle.	Rinse + Spin (Rinçage + Essorage)			<b>Max</b> Rapide Modéré Lent Pas d'essorage	<b>Off</b> Culbutage Bas Normal	Rinçage supplémentaire Culbutage prolongé Retard	Pour rincer et essorer rapidement tout article à tout moment. Utilisez un essorage à haute vitesse pour extraire l'eau des articles mouillés. Pour obtenir une vidange et un essorage, désélectionnez l'option Extra Rinse (Rinçage supplémentaire). Ce cycle va distribuer de détergent de pré-lavage et d'assouplissant.
Pour essorer les articles secs déjà lavés.	Spin Only (Essorer seulement)			<b>Max</b> Rapide Modéré Lent Pas d'essorage	<b>Off</b> Culbutage Bas Normal	Retard	Utilisez un essorage haute vitesse pour extraire l'eau des articles mouillés.
Nettoyage du tambour pour éliminer les résidus et les odeurs. Aucun vêtement à laver avec ce cycle.	Tub Clean (Nettoyage du tambour)					Retard	<b>Utilisation recommandée au moins une fois par mois</b> pour nettoyer la cuve des résidus et des odeurs. Ne chargez jamais de vêtements avec ce cycle, cela pourrait les endommager. Ce cycle intègre un lavage prolongé à température élevée, une agitation intense et une vidange par pompe.

**REMARQUE** : Les températures de l'eau du cycle **Sanitize** NE peuvent pas être changées. Les cycles **Sanitize** sont certifiés par NSF International, une organisation tierce indépendante de testage et certification.

La certification **Sanitize** a vérifié que le cycle réduit 99,9% des bactéries habituellement trouvées dans la lessive résidentielle et qu'aucune contamination importante est transférée aux charges suivantes. Seulement le cycle **Sanitize** a été conçu pour répondre aux exigences du Protocole NSF P172 pour une désinfection efficace.



Protocole NSF P172  
Rendement de désinfection de laveuses  
résidentielles et commerciales, de taille familiale

# Comment démarrer

## B Cycles - Séchage

Les cycles sont optimisés pour des catégories particulières de charges. Le tableau ci-dessous vous aidera à trouver un réglage qui correspond à votre charge.

Articles à sécher	Cycle	Degré saleté	Temp. Lavage	Sélection essorage	Sec	Options disponibles	Description du cycle
Pour sécher les articles durant une période de temps spécifique	Timed Dry (Séchage minuté)				Culbutage Bas <b>Normal</b>	Culbutage prolongé Retard	<ol style="list-style-type: none"> <li>Une fois le cycle <b>Timed Dry</b> sélectionné, pressez les touches fléchées pour augmenter ou diminuer le temps de séchage.</li> <li>Sélectionnez le <b>Temp</b> (temps de séchage).</li> <li>Fermez la porte.</li> <li>Pressez <b>Start/Pause</b> (Départ/Pause).</li> </ol>
Pour sécher les tissus très résistants ou les articles qui doivent être très secs tels que les serviettes.	Auto Extra Dry (Séchage suppl. autom.)				Culbutage Bas <b>Normal</b>	Culbutage prolongé Retard	Le capteur surveille continuellement le degré d'humidité dans la brassée en détectant la température dans le tambour. Le cycle se termine lorsque l'humidité atteint le niveau de séchage sélectionné
Pour un niveau de séchage normal qui convient à la plupart des brassées. Il s'agit du cycle préféré pour économiser l'énergie	Auto Dry (Séchage autom.)				Culbutage Bas <b>Normal</b>	Culbutage prolongé Retard	Le capteur surveille continuellement le degré d'humidité dans la brassée en détectant la température dans le tambour. Le cycle se termine lorsque l'humidité atteint le niveau de séchage sélectionné
Pour laisser les articles partiellement humides	Auto Damp Dry (Séchage humide autom.)				Culbutage Bas <b>Normal</b>	Culbutage prolongé Retard	Le capteur surveille continuellement le degré d'humidité dans la brassée en détectant la température dans le tambour. Le cycle se termine lorsque l'humidité atteint le niveau de séchage sélectionné

## Comment démarrer

- C** Soil **Soil (Saleté)**  
 En changeant le niveau de saleté, vous augmentez ou diminuez la durée de lavage pour enlever divers montants de saleté.  
 Pour changer le niveau de saleté, appuyez sur le bouton **Soil** (Saleté) jusqu'au réglage désiré. Vous pouvez choisir entre Extra Light (Très Peu Sale), Light (Peu Sale), Normal (Normal), Heavy (Très Sale) ou Extra Heavy (Extrêmement Sale).
- 
- D** Temp **Temp (Température)**  
 Ajustez pour choisir la bonne température de l'eau pour le cycle de lavage. L'eau de prélavage et de rinçage est toujours froide pour réduire l'utilisation d'énergie et diminuer la fixation des taches et les froissements.  
 Suivez l'étiquette du fabricant pour choisir la température de lavage.  
 Pour changer la température de lavage, appuyez sur le bouton **Temp** (température de lavage) jusqu'au réglage désiré. Vous pouvez choisir entre Cold (Froide), Cool (Cool), Warm (Tiède), Hot (Chaude) ou Extra Hot (Extra Chaud).
- 
- E** Spin **Spin (Essorer)**  
 En changeant le réglage d'essorage, vous changez la vitesse de l'essorage final des cycles. Suivez toujours les instructions de l'étiquette du vêtement pour changer le réglage d'essorage.  
 Pour changer le réglage d'essorage, appuyez sur le bouton **Spin** (Réglage d'essorage) jusqu'au réglage désiré. Vous pouvez choisir entre No Spin (pas d'essorage), Low (Lent), Medium (Modéré), High (Rapide) ou Max (Max). Les vitesses d'essorage les plus rapides ne sont pas offertes pour certains cycles, comme le cycle délicats.  
 Les vitesses d'essorage plus rapides enlèvent plus d'eau des vêtements, et aident à réduire le temps de séchage, mais augmentent également la possibilité de froisser certains tissus.
- 
- F** Dry **Dry (Sec)**  
 Modifier l'option **Dry** changera la température de votre cycle de séchage :
- |                           |   |
|---------------------------|---|
| <b>Normal</b>             | Pour les cotons réguliers à lourds, les tissus synthétiques, les mélanges et les articles étiquetés sans repassage (Permanent Press).   |
| <b>Low (Bas)</b>          | Pour les tissus délicats, les tissus synthétiques et les articles étiquetés séchage par culbutage à basse température (Tumble Dry Low). |
| <b>Tumble (Culbutage)</b> | Les articles sont culbutés continuellement sans chaleur.  |
| <b>Off</b>                | L'appareil va sauter le cycle de séchage et seulement laver.  |
- 
- G** Options **Options**  
 Pressez pour sélectionner les options désirées :
- |   |   |
|---|---|
| <b>Time Saver (Économie de temps)</b>       | L'option d'économie de temps (Time Saver) utilise plus d'eau et d'énergie pour diminuer la durée du cycle et conserver les performances de lavage et de rinçage.  |
| <b>Extra Rinse (Rinçage supplémentaire)</b> | Cette caractéristique réduit la quantité de détergent résiduel sur les vêtements à la fin du lavage en ajoutant une troisième étape de rinçage après le cycle de lavage principal.  |
| <b>Ex Tumble (Culbutage prolongé)</b>       | Cette fonction offre un culbutage périodique jusqu'à 8 heures après la fin du cycle complet afin de garder les vêtements frais et sans froissement. Utilisez cette fonction lorsque vous ne pouvez pas retirer les vêtements dès la fin du cycle. |

## Comment démarrer



Delay  
Wash

### Delay Wash (Lavage en différé)

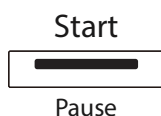
Pour différer le démarrage de votre appareil.

1. Choisissez votre cycle de lavage et toute option.
2. Appuyez sur le bouton **Delay Wash** (Lavage en différé). Vous pouvez changer la durée du délai par incréments de 1 heure (jusqu'à 24 heures) à chaque pression du bouton **Delay Wash** (Lavage en différé). Relâchez le bouton lorsque la durée voulue est affichée.
3. Appuyez sur le bouton **Start/Pause** (Départ/Pause) pour lancer le décompte.

Le décompte apparaîtra dans l'affichage **Est Time Remaining** (Estimated Time Remaining - Estimation du Temps Restant).

#### NOTES :

- Si la porte est ouverte alors que l'appareil est en mode **Delay Wash** (Lavage en différé), le compte à rebours va s'interrompre et l'affichage indiquera « Door » (Porte). Il est nécessaire de fermer la porte et d'appuyer sur le bouton **Start/Pause** (Mise en marche/ Pause) pour remettre le compte à rebours en marche.
- Vous pouvez retarder la mise en marche d'un cycle de lavage jusqu'à 24 heures. Le voyant sur le bouton s'allume lorsque **Delay Wash** (Lavage en différé) est activé.



### Start/Pause (Départ/Pause)

Appuyez pour mettre en marche un cycle de lavage. Si l'appareil fonctionne, vous l'arrêtez en appuyant une fois et déverrouillez la porte. Cette fonction peut être utilisée pour ajouter des vêtements durant un cycle. Appuyez à nouveau pour remettre en marche le cycle de lavage.

**NOTE :** En arrêtant l'appareil et en ne remettant pas en marche le cycle dans les 15 minutes qui suivent, vous annulez le cycle de lavage actuel.

**NOTE :** Dans certains cycles, l'appareil évacuera l'eau d'abord, puis déverrouillera la porte à la pause.

**NOTE :** L'appareil procède à des vérifications automatiques du système une fois que vous avez appuyé sur le bouton **Start/Pause** (Départ/Pause). L'eau se mettra à couler dans un délai de 45 secondes ou moins. Vous entendrez peut-être la porte se verrouiller et se déverrouiller avant que l'eau ne coule; ceci est normal.



### Lock (Verrouillage)

Vous pouvez verrouiller les contrôles pour empêcher tout choix de cycle, ou vous pouvez verrouiller les contrôles après avoir commencé un cycle.

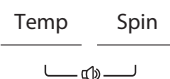
Les enfants ne peuvent pas mettre accidentellement en marche l'appareil en appuyant sur des touches quand vous choisissez cette option.

Pour verrouiller les contrôles de l'appareil, maintenez enfoncés les boutons **Soil** (Saleté) et **Temp** (Température) simultanément pendant 3 secondes.

Pour déverrouiller les contrôles de l'appareil, maintenez enfoncés les boutons **Soil** (Saleté) et **Temp** (Température) simultanément pendant 3 secondes. Un son retentit pour indiquer l'état verrouillé/déverrouillé.

L'icône de contrôle de verrouillage de l'affichage s'allume quand il est branché.

**NOTE :** Vous pouvez encore utiliser le bouton **Power** (Alimentation) quand l'appareil est verrouillé.



### Signal (Sonnerie)

Lorsque le voyant est à marche, la sonnerie émettra un bip à la fin du cycle et à chaque fois que vous appuierez sur un bouton sur le panneau de commande.

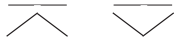
Pour éteindre la sonnerie, appuyez et maintenez appuyées les touches **Temp** (Temp) et **Spin** (Essorer) simultanément pendant 3 secondes. Un bip sonore vous indiquera l'état de verrouillage ou de déverrouillage.

# Comment démarrer

---



Add Dry Time



## Add Dry Time (Ajout de temps de séchage)

Pressez les touches fléchées haut et bas pour augmenter ou diminuer le temps du cycle de **Dry** (Séchage) selon votre besoin. **REMARQUE** : Disponible seulement avec le cycle **Timed Dry** (séchage minuté).

## Comment démarrer

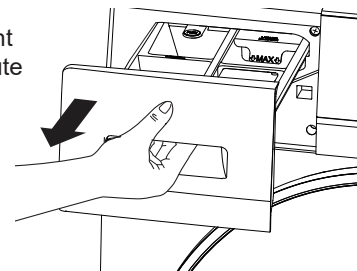
### Tiroir distributeur

Ouvrez lentement le tiroir distributeur en le tirant jusqu'à son arrêt final.

Après avoir ajouté vos produits de lavage, fermez lentement le tiroir distributeur. Si vous fermez le tiroir trop vite, vous risquez de distribuer l'adoucissant ou le détergent trop tôt.

Vous pouvez voir de l'eau dans le compartiment d'adoucissant à la fin du cycle. C'est occasionné par l'action de vidange/siphonnage et cela fait partie du fonctionnement normal de la appareil.

Utilisez seulement le détergent à haute efficacité HE



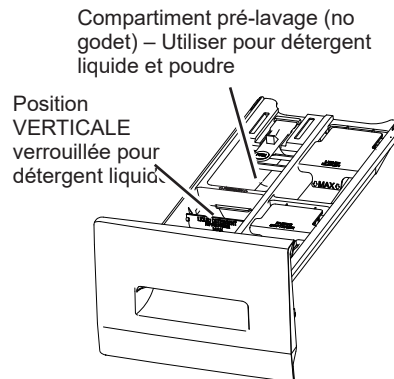
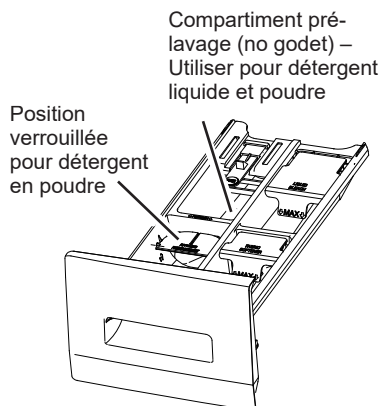
### Compartiment de détergent

- **Mettez seulement du détergent à haute efficacité dans la appareil. Mesurez la quantité recommandée par le fabricant du détergent. NE PAS remplir au-dessus de la ligne MAX.**
- Le détergent est évacué du distributeur au début du cycle de lavage. On peut utiliser du détergent en poudre ou du détergent liquide haute efficacité.
- Vous devez peut-être ajuster l'utilisation du détergent à la température de l'eau, à la dureté de l'eau, à la taille et au niveau de saleté de la charge. Évitez d'utiliser trop de détergent dans votre appareil car cela peut provoquer des traces de détergent et de mousse sur les vêtements.

### Système du séparateur du tiroir

Le compartiment de détergent est à l'avant du côté gauche du tiroir distributeur.

- **Détergent en poudre** – Verrouillez la carte de détergent dans sa position supérieure dans le compartiment. Assurez-vous que la carte soit verrouillée, puis versez la quantité suggérée de détergent en poudre dans le distributeur de détergent.
- **Détergent liquide** – Verrouillez verticalement la carte de détergent dans sa position centrale compartiment. Assurez-vous que la carte soit verrouillée, puis versez la quantité de détergent liquide suggérée dans le distributeur de détergent.



### Compartiment d'adoucissant

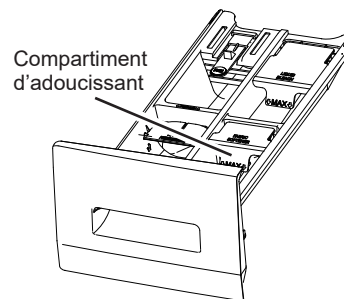
Si vous le désirez, versez le montant recommandé d'adoucissant liquide dans le compartiment étiqueté FABRIC SOFTENER (adoucissant).

N'utilisez que de l'adoucissant liquide dans le distributeur.

Diluez avec de l'eau jusqu'à la ligne maximum de remplissage.

Ne dépassez jamais la ligne maximum de remplissage. Si vous mettez trop d'adoucissant, cela risque de provoquer une distribution prématurée d'adoucissant, qui peut tacher vos vêtements.

**NOTE :** Ne mettez jamais d'adoucissant directement dans la charge à laver.



# Chargement

Respectez toujours l'étiquette d'entretien du fabricant lors de la lessive.

## Le tri et le chargement

Triez le linge par couleur (blancs, clairs, couleurs), degré de saleté, type de tissu (coton robuste, tissu à entretien facile, tissu délicat) et en fonction de la charpie qu'il produit (tissu éponge, tissu chenille) ou qu'il ramasse (velvétine, velours côtelé). Lavez les articles qui génèrent de la charpie, tels que les serviettes de coton et les bas, séparément des articles qui la collectent, par exemple les vêtements synthétiques et les pantalons habillés.

### **⚠ AVERTISSEMENT** - Risque d'incendie

**NE** lavez **PAS** les tissus contaminés avec des liquides inflammables ou des solvants de nettoyage.

Aucune laveuse ne peut éliminer l'huile totalement.

**NE** lavez ou séchez **RIEN** qui a été trempé ou éclaboussé avec tout type d'huile (y compris les huiles de cuisson).

**NE** mettez **PAS** à la main dans la appareil à laver jusqu'à ce que toutes les pièces mobiles soient arrêtées.

Gardez les matières et les vapeurs inflammables telles que l'essence à distance de la appareil.

Les articles qui comportent de la mousse, du caoutchouc ou du plastique doivent sécher sur une corde à linge.

Le non-respect de ces instructions pourrait entraîner la mort, une explosion, un incendie ou une amputation.

## Chargement au lavage

Le tambour peut être complètement rempli sans tasser les articles à laver seulement. Pour laver et sécher pendant le cycle, ne chargez le tambour qu'au 2/3 de sa capacité pour permettre la circulation d'air pendant le séchage. Une charge excessive de séchage diminuera la performance de séchage.

Pour ajouter des articles après la mise en marche de l'appareil, appuyez sur **Start/Pause** (départ/pause) et attendez que la porte se déverrouille. Le déverrouillage de la porte de l'appareil peut prendre jusqu'à 30 secondes après avoir enfoncé le bouton **Start/Pause** (départ/pause) selon les conditions de la machine. Le déverrouillage de la porte de l'appareil peut prendre jusqu'à 15 minutes après avoir enfoncé le bouton **Start/Pause** (départ/pause) pendant le cycle de **Dry** (séchage).

Ne tentez pas de forcer l'ouverture de la porte verrouillée. Ouvrez délicatement la porte après son déverrouillage.

Ajoutez les articles, fermez la porte et appuyez sur **Start/Pause** (départ/pause) pour continuer le cycle.

## Exemples de charge pour lavage seulement

VÊTEMENTS DE TRAVAIL	LINGE DE MAISON	BRASSÉES MIXTES	TISSUS DÉLICATS*	LAVAGES RAPIDES (2 à 3 vêtements)
3 Jeans	1 drap de bain	2 taies d'oreiller	4 soutiens-gorge	2 chemises sport
3 chemises de travail	6 serviettes de bain/ 8 débarbouillettes	1 essuie-main	4 culottes	1 pantalon sport
2 pantalons de travail	4 essuie-mains/ 1 tapi de baignoire en tissu éponge	1 drap plats	2 slips	<b>OU</b>
	<b>OU</b>	1 drap-housse	1 camisole	3 uniformes de soccer
	1 drap plat format grand lit	2 serviettes de bain/ 2 débarbouillettes	3 chemises de nuit	
	1 drap-housse format grand lit	<b>OU</b>	*On recommande de placer les petits articles dans un sac en filet de nylon.	
	2 taies d'oreiller	4 chemises (homme ou femme)		
		3 pantalons (kakis ou tissus croisés)		
		3 tee-shirts		
		4 boxeurs		
		2 caleçons		
		<b>OU</b>		
		4 tee-shirts		
		2 pantalons molletonnés		
		2 pulls molletonnés		
		1 kangourou		
		5 paires de bas		

## Chargement pour les cycles de séchage uniquement ou de lavage et de séchage

Lors de l'exécution d'un cycle de séchage uniquement ou d'un cycle de lavage et de séchage, ne chargez le tambour qu'à une capacité maximale de 2/3 pour permettre la circulation de l'air pendant le séchage.

En règle générale, lorsque les vêtements sont correctement triés pour le lavage, ils le sont aussi pour le séchage. Essayez aussi de trier les articles en fonction de leur taille. Par exemple, ne séchez pas un drap avec des chaussettes ou d'autres petits articles.

N'ajoutez pas votre feuille d'assouplissant textile lorsque la brassée a commencé à chauffer, car elle risque de provoquer des taches d'assouplissant. Les feuilles d'assouplissant de tissus BounceMD pour sècheuses ont été approuvées pour cette appareil si elles sont utilisées conformément aux instructions du fabricant.

**Ne surchargez pas.** Ceci consomme inutilement de l'énergie et cause des faux plis.

## Entretien et nettoyage

### Flexibles d'alimentation d'eau

Inspectez régulièrement tous les flexibles d'alimentation d'eau afin de détecter des signes de fuites d'eau, d'usure, de coupures, de corrosion et de bombements. Remplacez les flexibles immédiatement si des signes de cette nature apparaissent. Pour réduire le risque de défaillance des flexibles et de dégâts d'eau, ceux-ci doivent être remplacés tous les 5 ans d'utilisation. Lorsque vous remplacez des flexibles, reportez-vous aux instructions d'installation pour vous assurer d'une installation correcte. ÉVITEZ de trop serrer les raccords et de fausser leur filetage. Les flexibles NE doivent PAS frotter contre des objets coupants ni présenter des plis ou des étirements trop prononcés. Vérifiez toujours que les joints d'étanchéité en caoutchouc des flexibles sont installés et exempts de fuites lorsqu'ils sont sous pression.

### Extérieur

Essuyez immédiatement tout débordement. Essuyez avec un linge humide. Essuyez ou époussetez les renversements ou les produits de lavage avec un linge humide. Le panneau de commande et le fini de la appareil peuvent être endommagés par certains détachants et produits de prétraitement. Appliquez ces produits à l'écart de la appareil. Le tissu peut ensuite être lavé et séché normalement. Les dommages à votre appareil causés par ces produits ne sont pas couverts par votre garantie. Ne frappez jamais la surface avec des objets aiguisés.

### Intérieur

Séchez autour de l'ouverture de la porte, du joint flexible (y compris les tuyaux) et de la porte en verre. Ces surfaces doivent être toujours propres pour assurer que le joint soit bien imperméable.

Il est recommandé de rincer la appareil à laver au moins une fois par mois avec 1 tasse (250 ml) d'eau de javel (ou tout autre produit disponible dans le commerce fabriqué à cet effet, tel que le nettoyant pour laveuse Tide®) versée directement dans le panier sans vêtements et en utilisant le cycle **Tub Clean** (Nettoyage de la Cuve).

L'intérieur de l'appareil doit être nettoyé une fois par an par un technicien qualifié.

### Acier inoxydable

Pour nettoyer les surfaces en acier inoxydable, utilisez un chiffon humide et un détergent doux non abrasif convenant aux surfaces en acier inoxydable. Retirez les résidus de produit nettoyant, puis séchez-les avec un chiffon propre.

L'acier inoxydable utilisé pour la fabrication du tambour vous offre la meilleure fiabilité possible dans une appareil GE Appliances. Si le tambour venait à être marqué ou rayé en cours d'usage normal, il ne rouillerait pas. Ces dommages superficiels n'affecteront pas sa durabilité ni son fonctionnement.

### Joint d'étanchéité de la porte

Ouvrez la porte. Avec les deux mains, poussez le joint d'étanchéité vers le bas. Enlevez tout objet étranger qui pourrait se trouver dans le joint. Assurez-vous que rien ne bloque les orifices derrière le joint.



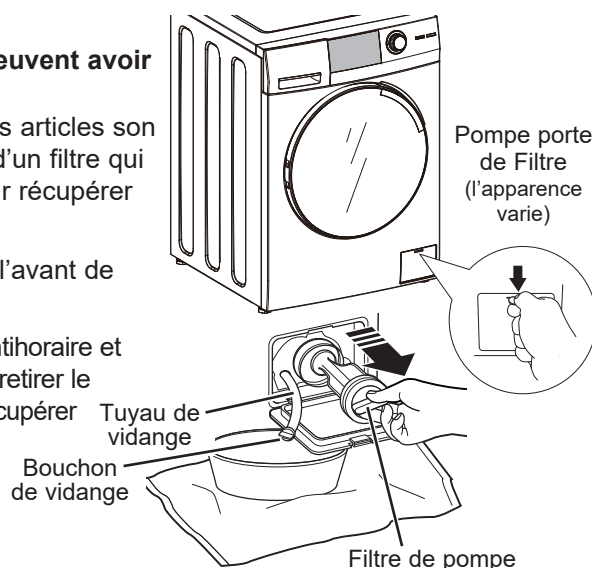
Tout en maintenant le joint en position basse, inspectez-en l'intérieur en tirant vers le bas avec les doigts. Enlevez tout objet étranger qui pourrait se trouver dans le joint. Assurez-vous que rien ne bloque les orifices derrière le joint. Une fois le nettoyage terminé, retirez vos mains et les joints retourneront à ses positions normales.

### Filtre de la pompe

**Nettoyez CHAQUE MOIS pour enlever tous les éléments qui peuvent avoir été pris dans le filtre ou dans le boîtier.**

Étant donné la nature d'une appareil à chargement frontal, de petits articles sont susceptibles d'être aspirés par la pompe. La appareil est équipée d'un filtre qui retient les articles perdus lorsqu'ils sont évacués vers le drain. Pour récupérer les articles perdus, nettoyez le filtre de pompe.

- 1 Ouvrez en l'écartant la porte dans la partie inférieure droite de l'avant de l'appareil.
- 2 Tournez le petit capuchon blanc d'un quart de tour dans le sens antihoraire et décrochez le petit tuyau en caoutchouc. Sortez le tuyau du trou et retirez le bouchon blanc du tuyau de vidange au-dessus d'un petit bac pour récupérer l'eau qui pourrait s'évacuer. Vidangez le surplus d'eau. Remplacez.
- 3 Dévissez le filtre de la pompe. Rincez les débris. Remplacez.
- 4 Fermez la porte d'accès.



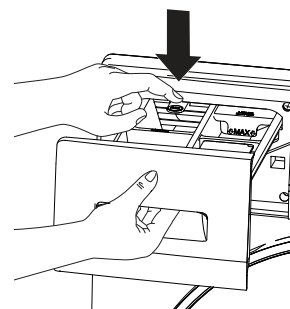


# Entretien et nettoyage

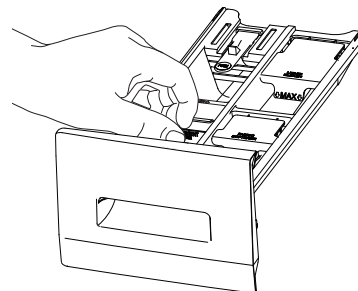
## Emplacement du tiroir distributeur

Le détergent et l'adoucisseur peuvent s'amasser dans le tiroir distributeur. Il faut enlever ces résidus une ou deux fois par mois.

- Enlevez le tiroir en le tirant d'abord jusqu'à ce qu'il s'arrête. Puis atteignez le arrière de la cavité du tiroir et appuyez fermement sur la patte de verrouillage, en tirant le tiroir.



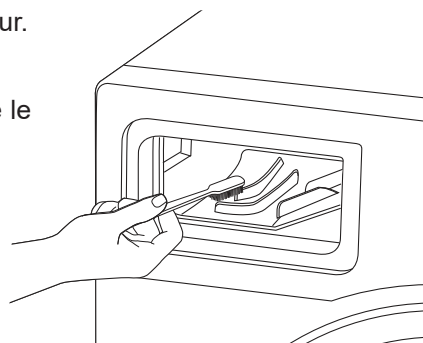
- Retirez la pièce insérable du tiroir distributeur. Rincez la pièce et le tiroir avec de l'eau chaude afin d'éliminer les traces de produits de lavage.



- Pour nettoyer l'ouverture du tiroir, utilisez une petite brosse pour l'intérieur. Enlevez tout résidu en haut et en bas de l'intérieur.

- Remettez les insertions dans leur bon compartiment. Remettez en place le tiroir de distribution.

- Pour réduire l'accumulation dans le tiroir de distribution :



Utilisez seulement  
un détergent à  
haute efficacité HE.



## Déménagement et rangement

Demandez au technicien de service d'enlever l'eau de la pompe et des tuyaux de vidange. Ne rangez jamais la appareil dans un endroit où elle est exposée au mauvais temps. Quand vous déménagez la appareil, vous devez immobiliser le bassin de lavage en utilisant les boulons d'expédition enlevés pendant l'installation. Consultez les Instructions d'installation dans ce manuel. Si vous n'avez pas ces pièces, vous pouvez les commander en visitant notre site web à l'adresse [Electromenagersge.ca/fr/produits/filtres-et-accessoires](http://Electromenagersge.ca/fr/produits/filtres-et-accessoires) ou en appelant le numéro de telephone 800.661.1616.

## Longues vacances

Assurez-vous de fermer tous les robinets d'alimentation de l'eau. Vidangez toute l'eau des tuyaux si la température risque de descendre en dessous de celle de gel.

# Instructions d'installation

## Combinaison Laveuse / Sécheuse

Des questions? Appelez le 800.561.3344 ou Visitez notre site Web à l'adresse : [electromenagersge.ca](http://electromenagersge.ca)

### AVANT DE COMMENCER

Lisez ces instructions entièrement et soigneusement.

- **IMPORTANT** — Conservez ces instructions pour l'inspecteur local.
- **IMPORTANT** — Observez tous les codes et les ordonnances en vigueur.
- **Note à l'installateur** — Assurez-vous de laisser ces instructions au consommateur.
- **Note au consommateur** — Conservez ces instructions à titre de référence.
- **Niveau de compétences** — L'installation de cet appareil électroménager nécessite des compétences mécaniques et électriques de base.
- **Temps d'installation** — 1-3 heures
- L'installateur est responsable de bien installer cet appareil.
- Toute panne de produit due à une mauvaise installation n'est pas couverte par la garantie.

### OUTILS NÉCESSAIRES POUR INSTALLER LA APPAREIL

Lunettes de protection



Gants



Niveau



Clé (fournie)

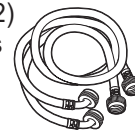


Pince multiprise à crémaillère

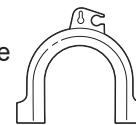


### PIÈCES FOURNIES

Flexibles d'eau (2)  
(Rondelles plates préinstallées)



Guide de tuyau



Ligature de câble



### EMPLACEMENT DE VOTRE APPAREIL

N'installez jamais votre appareil :

1. Dans un endroit exposé à de l'eau qui coule ou aux conditions climatiques extérieures. La température ambiante ne doit jamais être inférieure à 15,6°C (60°F) pour que la appareil fonctionne bien.
2. Dans un endroit où elle entre en contact avec des tentures ou des rideaux.
3. Sur un tapis. Le sol **DOIT** être une surface dure avec une pente maximum de 1,27 cm per 30 cm (1/2 pouce par pied). Pour vous assurer que la appareil ne vibre pas ou ne bouge pas, il est possible que vous deviez renforcer le plancher.

**REMARQUE** : Si le plancher est en mauvais état, utilisez une feuille de contreplaqué traité de 3/4 po. fixé solidement à la couverture de plancher actuelle.

### IMPORTANT:

#### Espaces libres minimum pour l'installation

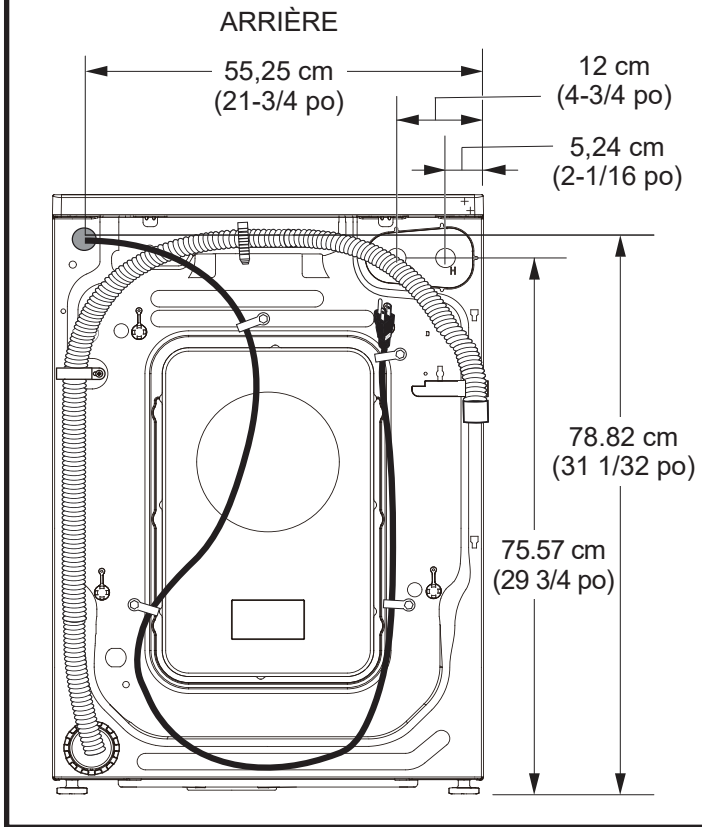
- Installation dans une alcôve : Côtés/Arrière = 0 cm et Haut = 2,54 cm (1 po.)
- Installation dans un placard : Côtés/Arrière = 0 cm et Haut/Avant = 2,54 cm (1 po.)
- Il faut veiller à procurer le dégagement nécessaire à l'installation et aux interventions de service.
- Les portes du placard doivent être perforées ou bien ventilées et disposer d'au moins 387,1 cm<sup>2</sup> (60 pouces carrés) d'espace. Si le placard abrite une deuxième unité de lavage ou séchage, les portes doivent disposer de 774,2 cm<sup>2</sup> (120 pouces carrés) au minimum d'espace ouvert.

### INSTALLATION EN MAISON MOBILE :

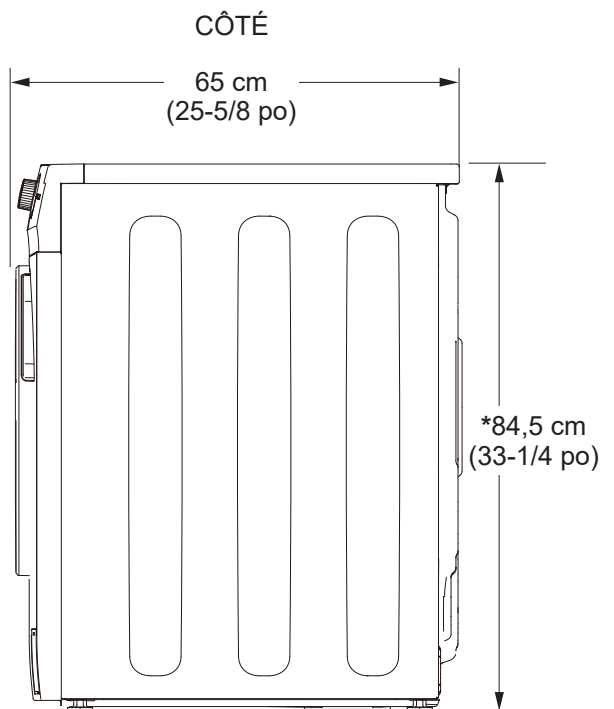
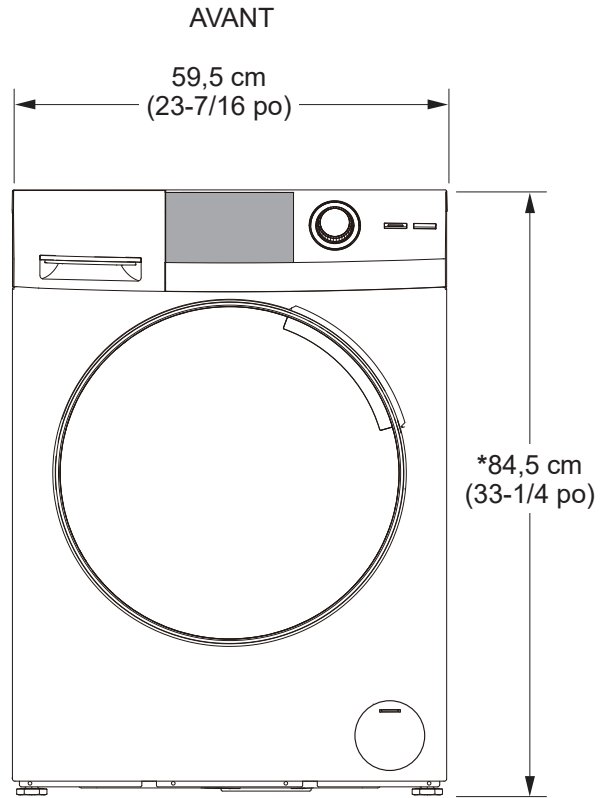
L'installation doit satisfaire les normes suivantes : Standard for Mobile Homes, ANSI A119.1 et National Mobile Home Construction and Safety Standards Act of 1974 (PL93-383).

# Instructions d'installation

## DIMENSIONS DE CONNEXION



## DIMENSIONS APPROXIMATIVES



### \*NOTE :

Pieds de nivellement rétractés = 84,5 cm (33-1/4 po)

Pieds de nivellement sortis = 85,5 cm (33-3/4 po)

Superposé = 66-1/2" (169 cm)

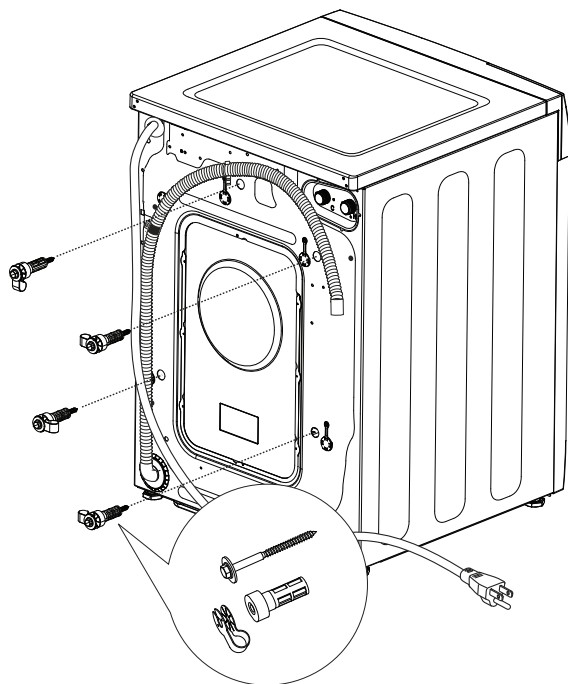
# Instructions d'installation

## DÉBALLAGE DE VOTRE APPAREIL

**⚠ AVERTISSEMENT** Recyclez ou détruisez le carton et les sacs en matière plastique après avoir déballé votre appareil. Mettez ces matériaux hors de la portée des enfants. Les enfants peuvent être tentés de les utiliser pour jouer. Les cartons recouverts de tapis, de couve-lit, ou de drap en matière plastique peuvent devenir des chambres hermétiquement closes risquant d'étouffer des enfants.

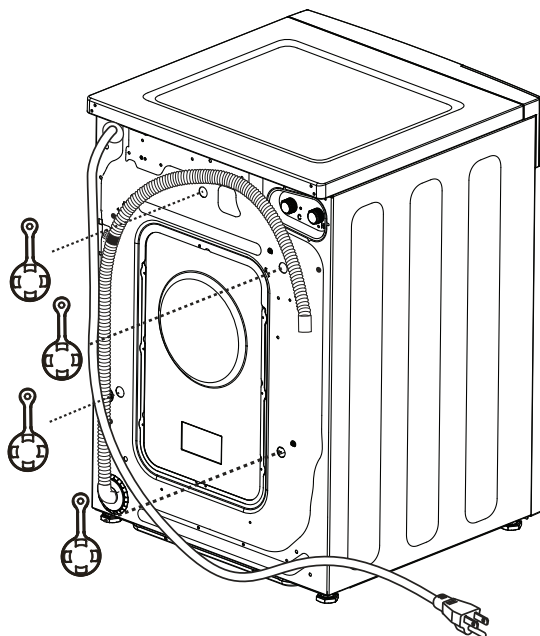
1. Coupez et enlevez toutes les sangles d'emballage.
2. Alors qu'elle est dans le carton, posez avec soin la appareil sur son côté. **NE LAISSEZ JAMAIS** reposer la appareil sur son avant ou son arrière.
3. Tournez vers le bas les rebords du bas—enlevez tout l'emballage de base, y compris la base en styrofoam.
4. Remettez soigneusement la appareil debout et enlevez le carton.
5. Amenez soigneusement la appareil à moins de 4 pieds (122 cm) de son emplacement final.
6. Enlevez les pièces suivantes de l'arrière de la appareil :  
4 boulons  
4 bagues en matière plastique (y compris les anneaux en caoutchouc)

**NOTE :** NE retirez PAS la vis ou le clip tenant le tuyau.



## DÉBALLAGE DE VOTRE APPAREIL (suite)

7. Insérez les capuchons des trous de boulons d'expédition dans les trous des boulons d'expédition.



### NOTES :

- Si vous n'enlevez pas les cales d'expédition, vous risquez de déséquilibrer sérieusement la appareil.
- **IMPORTANT :** Conservez tous les boulons pour un usage futur.

Si vous devez transporter la appareil à une date future, vous devez remettre en place la quincaillerie de soutien d'emballage pour éviter tout dommage pendant le transport. Conservez la quincaillerie dans le sac en matière plastique fourni.

**REMARQUE :** Considérez les options de recyclage des matériaux d'emballage de votre électroménager.

# Instructions d'installation

## EXIGENCES ÉLECTRIQUES

### ⚠ AVERTISSEMENT - Risque d'électrocution

Brancher à une prise de courant à 3 broches mise à la terre.

**NE PAS** retirer la broche de contact de mise à la terre.

**N'UTILISEZ** pas de rallonge électrique.

**N'UTILISEZ** pas d'adaptateur de prise.

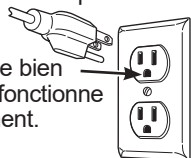
Le non-respect de ces instructions pourrait entraîner un décès, un incendie ou un choc électrique.

**CIRCUIT** - Individuel, correctement polarisé et mis à la terre, disjoncteur ou fusible temporisé de 15 ou 20 ampères.

**ALIMENTATION ÉLECTRIQUE** – 2 fils plus la mise à la terre, 120 volts, monophasé, 60 Hz, courant alternatif.

**PRISE ÉLECTRIQUE** – Prise à 3 voies correctement mise à la terre située de façon à ce que le cordon soit accessible lorsque la  
appareil est installée dans sa position définitive. Si la prise n'est qu'à 2 voies, il est de la responsabilité du propriétaire de demander à un électricien agréé de la remplacer par une prise à 3 voies correctement mise à la terre.

Assurez-vous au préalable qu'une mise à la terre existe bien et qu'elle fonctionne correctement.



La appareil doit être correctement mise à la terre conformément aux codes locaux de l'électricité, ou dans l'absence de codes locaux, à la dernière édition du Code Électrique National, ANSI/NFPA NO. 70 ou au Code Électrique Canadien CSA C22.1. Demandez à un électricien agréé de vérifier la connexion si vous n'êtes pas certain que la appareil est correctement mise à la terre.

## INSTRUCTIONS DE MISE À LA TERRE

Cet appareil doit être mis à la terre. Dans l'éventualité d'un mal fonctionnement ou d'une panne, la mise à la terre réduit le risque de choc électrique en procurant un circuit de moindre résistance au courant électrique. Cet appareil comporte un cordon doté d'un conducteur de mise à la terre de l'appareillage et d'une fiche de mise à la terre. La fiche doit être branchée dans une prise compatible correctement installée et mise à la terre conformément à tous les codes et règlements en vigueur.

**⚠ AVERTISSEMENT** Une connexion incorrecte du conducteur de mise à la terre de l'appareillage peut poser un risque de choc électrique. Consultez un électricien ou réparateur qualifié si vous doutez que l'appareil soit correctement mis à la terre. **NE** modifiez **PAS** la fiche du cordon d'alimentation. Si elle ne s'insère pas dans la prise, demandez à un électricien agréé de poser une prise appropriée.

Si les codes locaux l'exigent, un fil de terre extérieur en cuivre de calibre 18 ou supérieur (non fourni) peut être ajouté. Fixer à l'enceinte de la appareil à l'aide d'une vis à tôle #10-16 x 1/2 po (dans toute bonne quincaillerie) à l'arrière de la appareil.

### ⚠ AVERTISSEMENT - Risque d'électrocution

Débranchez l'alimentation électrique avant la réparation.

Remettez toutes les pièces et panneaux en place avant d'utiliser l'appareil.

L'omission de prendre ces précautions peut provoquer la mort ou l'électrocution.

### ⚠ AVERTISSEMENT - Risque d'électrocution

Certaines pièces internes sont intentionnellement non mises à la terre et peuvent présenter un risque de choc électrique lors d'un entretien.

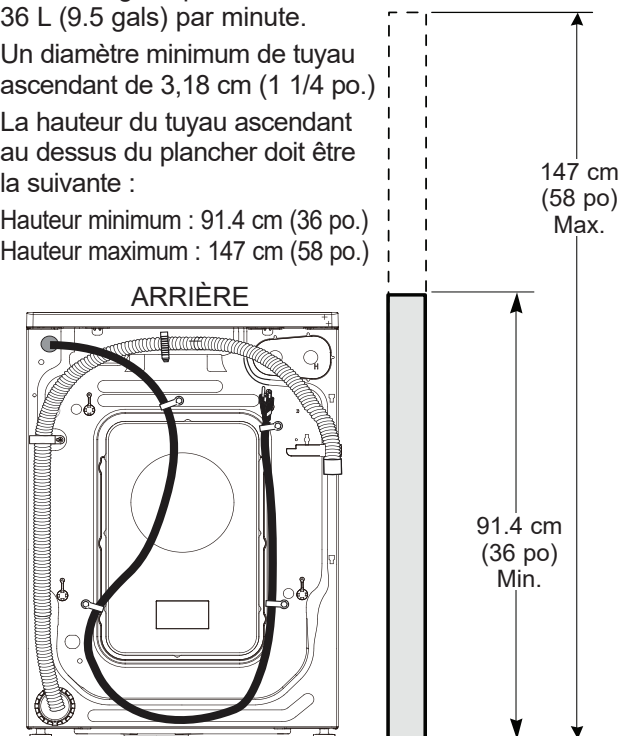
**Personnel de réparateur – NE PAS** toucher aux composants suivants lorsque l'appareil est sous tension : robinet d'eau, pompe de vidange, NTC, moteur, condensateur de ventilateur, moteur de ventilateur, élément chauffant, verrou de porte, carte d'onduleur et carte MC.

## EXIGENCES D'ALIMENTATION D'EAU

Vous **DEVEZ** installer des robinets d'eau chaude et froide à moins de 42 pouces (107 cm) de l'entrée d'eau de votre appareil. Les robinets **DOIVENT** être des robinets de jardin de 1,9 cm (3/4 po.), pour pouvoir brancher les tuyaux d'entrée. La pression de l'eau **DOIT** être entre 10 et 120 livres par pouce carré. Votre service d'eau peut vous indiquer votre pression d'eau. La température de l'eau chaude doit être réglée de manière à fournir de l'eau à une température de 48°C à 60°C (120°F à 140°F) pour obtenir un rendement adéquat de la commande de température automatique (ATC).

## EXIGENCES DE VIDANGE

1. Une vidange capable d'éliminer 36 L (9.5 gals) par minute.
2. Un diamètre minimum de tuyau ascendant de 3,18 cm (1 1/4 po.)
3. La hauteur du tuyau ascendant au dessus du plancher doit être la suivante :  
Hauteur minimum : 91.4 cm (36 po.)  
Hauteur maximum : 147 cm (58 po.)

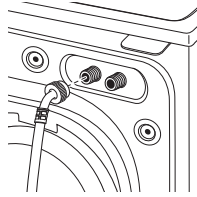


# Instructions d'installation

## INSTALLATION DE LA APPAREIL

1. Faites couler un peu d'eau des robinets chaud et froid pour purger les tuyaux d'eau et enlever les particules qui peuvent boucher les tamis de robinet d'eau.
2. Enlevez les tuyaux d'entrée d'eau du sac en matière plastique. Retirez les rondelles en caoutchouc noires du sac et insérez-les dans le raccord de tuyau avant de le raccorder à l'appareil.

3. (extrémité coudée 90°)  
Branchez soigneusement le tuyau d'entrée marqué HOT (chaud) à la sortie extérieure du robinet d'eau marquée H. Serrez à la main, puis serrez encore 2/3 de tour avec des pinces. Branchez soigneusement l'autre tuyau d'entrée à la sortie intérieure du robinet d'eau marquée C (froide). Serrez à la main, puis serrez encore 2/3 de tour avec des pinces. **Ne faussez pas le filetage ou ne serrez pas trop ces branchements.**



4. Branchez les extrémités du tuyau d'entrée aux robinet d'eau CHAUDE et FROIDE, en serrant légèrement à la main, puis en serrant encore 2/3 de tour avec des pinces. Ouvrez l'eau et vérifiez qu'il n'y ait pas de fuite.

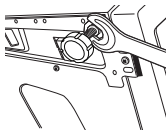


5. Amenez soigneusement la appareil dans son emplacement final. Mettez gentilement la appareil à sa place, en la balançant. Il est important de ne pas endommager les pattes de nivellement en caoutchouc lorsque vous déplacez la appareil vers sa position finale. Des pattes endommagées peuvent accroître les vibrations produites par la appareil. La vaporisation de nettoyant à vitres sur le plancher peut faciliter le déplacement de la appareil vers sa position finale. **NOTE : Afin de réduire les vibrations, assurez-vous que les quatre pattes de nivellement reposent fermement au plancher. Poussez et tirez sur l'arrière de la appareil du côté droit, puis du côté gauche pour ajuster les pattes.**

**NOTE :** N'essayez jamais de soulever la appareil par sa porte ou par son tiroir distributeur.

**NOTE :** Si vous installez dans un bac de vidange, vous pouvez utiliser un 2 x 4 long de 24 po. pour bien mettre à l'horizontale la appareil.

6. La appareil dans son emplacement final, placez un niveau à bulle sur la appareil (si elle est installée sous un comptoir, elle ne doit pas bouger). Ajustez les pattes de nivellement avant vers le haut ou vers le bas pour vous assurer qu'elle ne bouge pas et à niveau de l'avant vers l'arrière et de gauche à droite. Il peut également être nécessaire de régler les pattes arrière. Tournez les contre-écrous de chaque patte vers la base de la appareil et serrez avec une clé anglaise.

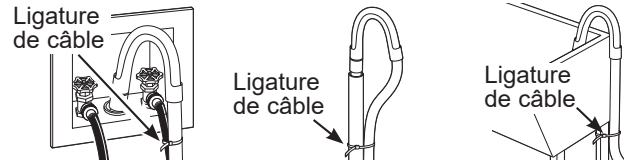


**NOTE :** Conservez les extensions des pattes à un minimum pour empêcher les vibrations. Plus les pattes sont tirés, et plus la appareil vibre.

Si le plancher n'est pas bien horizontal ou est endommagé, il est possible que vous deviez allonger les pattes de nivellement arrière.

## INSTALLATION DE LA APPAREIL (suite)

7. Attachez le guide de tuyau en U à l'extrémité du tuyau de vidange. Placez le tuyau dans une cuve à lessive ou un tuyau vertical et liez-le avec la ligature de câble fournie dans le paquet.



**NOTE :** Si le tuyau de vidange est placé dans un tuyau vertical sans être recourbé en U, il peut produire un effet de siphonnement. Vous devez maintenir un espace d'air libre autour du tuyau de vidange. Un tuyau ajusté peut aussi occasionner un effet de siphonnement.

**NOTE :** N'insérez pas l'extrémité du tuyau de vidange de plus de 18 cm (7 pouces) dans la bonde. Il est conseillé de l'insérer de 10 à 18 cm (4 à 7 pouces). Une insertion supérieure à 18 cm (7 pouces) peut également provoquer un effet de siphon.

8. Branchez le cordon d'alimentation dans une prise mise à la terre.  
**NOTE :** Vérifiez que le courant est coupé au niveau du disjoncteur ou de la boîte à fusibles avant de brancher le cordon d'alimentation à une prise.
9. Branchez le courant au niveau du disjoncteur ou de la boîte à fusibles.
10. Lisez le reste de ce Manuel du propriétaire. Il contient des renseignements précieux et utiles qui vous feront économiser du temps et de l'argent.
11. **Avant de mettre en marche la appareil, vérifiez que tout est en ordre :**

- L'alimentation principale de courant est branchée.
- La appareil est branchée à la prise.
- Les robinets d'eau sont ouverts.
- L'appareil est bien horizontal et les quatre pattes de nivellement reposent fermement sur le plancher.
- La quincaillerie de soutien pour l'expédition est enlevée et mise de côté.
- Le tuyau de vidange est bien attaché.
- Le robinet, les rondelles et le tuyau de vidange ne fuient pas.

12. Faites marcher la appareil pendant un cycle complet. Vérifiez qu'il n'y a aucune fuite d'eau et qu'elle fonctionne bien.
13. Si votre appareil ne fonctionne pas, nous vous prions de consulter la section **Conseils de Dépannage**, avant d'appeler le service.
14. Rangez ces instructions dans un emplacement proche de la appareil pour référence future.

## PIÈCES DE RECHANGE

Si vous avez besoin de pièces de rechange pour votre appareil, vous pouvez les commander au Canada en visitant notre site web [Electromenagersge.ca/fr/produits/filtres-et-accessoires](http://Electromenagersge.ca/fr/produits/filtres-et-accessoires) ou en appelant le 800.661.1616.

# Conseils de Dépannage...Avant d'appeler un réparateur

Problème	Causes possibles	Correctifs
Pas de vidange Pas d'essorage Pas de culbutage	La charge est déséquilibrée	Redistribuez les vêtements et faites un <b>Rinse+Spin</b> (Rinçage + Essorage).
		Augmentez la taille de la charge si vous lavez une petite charge contenant des articles légers et lourds.
	Le filtre de la pompe à eau est peut-être bouché	Reportez-vous <b>Entretien et nettoyage</b> pour le nettoyage du <b>Filtre de la pompe</b> .
	Le tuyau de vidange est tortillé ou mal connecté	Redressez le tuyau de vidange et assurez-vous que la appareil n'est pas dessus.
	Le siphon d'évacuation de la maison peut être bouché	Vérifiez la plomberie de la maison. Vous pouvez avoir besoin d'appeler un plombier.
	Siphonage du tuyau de vidange; tuyau de vidange enfoncé trop bas dans le drain.	Assurez-vous qu'il y a un espace d'air entre le tuyau et le drain.
Fuite d'eau	Le joint de la porte est endommagé	Vérifiez si le joint est bien en place et s'il n'est pas déchiré. Les objets oubliés dans les poches peuvent endommager la appareil (clous, vis, stylos, crayons).
		L'eau peut dégoutter de la porte lorsque celle-ci est ouverte. Il s'agit d'un fonctionnement normal.
		Essuyez soigneusement le joint de porte en caoutchouc. Parfois de la saleté ou des vêtements coincés dans le joint peuvent causer une petite fuite.
	Vérifiez la présence d'eau à la partie arrière gauche de la appareil	Si cette partie est mouillée, cela indique la présence d'un surplus de mousse savonneuse. Utilisez moins de détergent.
	Les tuyaux d'entrée de l'eau ou le tuyau de vidange ne sont pas bien branchés	Assurez-vous que les tuyaux soient bien branchés au niveau des robinets et la appareil et assurez-vous que le tuyau de vidange soit bien inséré et fixé à l'installation de vidange.
	La vidange de la maison est peut-être bloquée	Vérifiez la plomberie de la maison. Il est possible que vous ayez besoin d'appeler un plombier.
	Distributeur colmaté	Le savon en poudre peut causer des colmatages à l'intérieur du distributeur et causer une fuite d'eau à l'avant du distributeur. Retirez le tiroir et nettoyez le tiroir et l'intérieur de la boîte de distributeur. Reportez-vous à la section <b>Entretien et nettoyage</b> .
	Utilisation incorrecte de détergent	Utilisez du détergent HE uniquement et en bonne quantité.
Vêtements trop mouillés	La charge est déséquilibrée	Redistribuez les vêtements et faites un <b>Rinse+Spin</b> (Rinçage + Essorage).
		Augmentez la taille de la charge si vous lavez une petite charge contenant des articles légers et lourds.
	Le filtre de la pompe à eau est peut-être bouché	Reportez-vous <b>Entretien et nettoyage</b> pour le nettoyage du <b>Filtre de la pompe</b> .
	Surcharge	Chargez la appareil pour que les vêtements aient assez de place pour bouger librement.
	Le tuyau de vidange est tortillé ou mal connecté	Redressez le tuyau de vidange et assurez-vous que la appareil n'est pas dessus.
	Le siphon d'évacuation de la maison peut être bouché	Vérifiez la plomberie de la maison. Vous pouvez avoir besoin d'appeler un plombier.
	Siphonage du tuyau de vidange; tuyau de vidange enfoncé trop bas dans le drain.	Assurez-vous qu'il y a un espace d'air entre le tuyau et le drain.

# Conseils de Dépannage...Avant d'appeler un réparateur

Problème	Causes possibles	Correctifs
Cycle incomplet ou minuterie arrêtée	Redistribution automatique de la charge	La minuterie s'arrête après une minute. La appareil répartit la charge à une ou deux reprises. C'est un fonctionnement normal. Ne faites rien, la machine terminera le cycle de lavage.
	Le filtre de la pompe à eau est peut-être bouché	Reportez-vous <b>Entretien et nettoyage</b> pour le nettoyage du <b>Filtre de la pompe</b> .
	Le tuyau de vidange est tortillé ou mal connecté	Redressez le tuyau de vidange et assurez-vous que la appareil n'est pas dessus.
	Le siphon d'évacuation de la maison peut être bouché	Vérifiez la plomberie de la maison. Vous pouvez avoir besoin d'appeler un plombier.
	Siphonage du tuyau de vidange; tuyau de vidange enfoncé trop bas dans le drain.	Assurez-vous qu'il y a un espace d'air entre le tuyau et le drain.
Secousses, vibrations ou bruits forts ou inhabituels	Déplacement d'armoire	La appareil est conçue pour bouger de 6 mm pour réduire les forces transmises au sol. Ce mouvement est normal.
	Tous les pieds de mise à niveau en caoutchouc ne touchent pas fermement le sol	Poussez tirez sur l'arrière droit puis sur l'arrière gauche de la appareil pour vérifier qu'elle est de niveau. Si elle ne l'est pas, réglez les pieds de mise à niveau en caoutchouc pour qu'ils touchent fermement le sol et qu'ils se bloquent en place.
	Charge déséquilibrée	Mettez l'appareil en pause, ouvrez la porte et redistribuez manuellement la charge. Pour inspecter la machine, exécutez un rinçage et un essorage à vide. Si tout est normal, le déséquilibre était causé par la charge.
	Le filtre de la pompe à eau est peut-être bouché	Reportez-vous <b>Entretien et nettoyage</b> pour le nettoyage du <b>Filtre de la pompe</b> .
Pas de puissance/ la appareil ne fonctionne pas ou semble hors tension	La appareil est débranchée	Assurez-vous que le cordon est bien branché dans une prise sous tension.
	C'est normal. Le panneau de commande est « endormi ».	Pressez le bouton <b>Power</b> (mise sous tension) pour « réveiller » l'afficheur.
	L'appareil a été mis sur <b>Pause par mégarde au démarrage du séchage différé (Delay Dry)</b> .	Si le voyant sur le bouton <b>Start/Pause</b> clignote, l'appareil est en pause. Pressez le bouton <b>Start/Pause</b> pour redémarrer le décompte.
	L'arrivée d'eau est coupée	Ouvrez à fond les robinets d'eau chaude et d'eau froide
	Le disjoncteur est déclenché/le fusible a sauté	Inspectez les disjoncteurs/fusibles de la maison. Remplacez les fusibles ou réarmez le disjoncteur. La appareil doit présenter une prise distincte.
	Vérifications automatiques du système	La première fois que la appareil est branchée, des vérifications automatiques se produisent. Il peut être nécessaire d'attendre 20 secondes avant de pouvoir utiliser la appareil. C'est un fonctionnement normal.
Accrocs, trous, déchirures, ou usure excessive	Stylos, crayons, clous, vis ou autres objets égarés dans les poches	Retirez les objets égarés dans les poches.
	Aiguilles, boutons pressions, agrafes, boutons à bord vif, boucles de ceinture, fermetures à glissière et objets à bord vif égarés dans les poches	Fermez les boutons pressions, agrafes, boutons et fermetures à glissière
Temps de contrôle incorrect ou variations	C'est normal.	Pendant l'essorage, la appareil peut avoir besoin de rééquilibrer la charge parfois pour réduire les vibrations. Lorsque cela se produit, le temps estimé est augmenté, ce qui cause une augmentation du temps qui reste.
Pas assez d'eau	C'est normal.	Les appareils horizontales ne nécessitent pas que la cuve se remplisse d'eau contrairement aux appareils à charge par le haut
La appareil fait une pause ou doit être redémarrée ou la porte de la appareil est verrouillée et ne s'ouvre pas	Le filtre de la pompe à eau est peut-être bouché	Reportez-vous <b>Entretien et nettoyage</b> pour le nettoyage du <b>Filtre de la pompe</b> .



# Conseils de Dépannage...Avant d'appeler un réparateur

Problème	Causes possibles	Correctifs
La porte se débloque ou la machine ne fonctionne pas lorsque vous appuyez sur Start	C'est normal.	Les appareils à chargement frontal démarrent différemment de celles à chargement par le haut, et il faut plusieurs secondes pour vérifier le système. La porte se verrouille et se déverrouille
	Fonctionnement incorrect	Ouvrez et fermez simplement la porte fermement, puis appuyez sur <b>Start</b> (Marche).
L'eau ne rentre pas dans la appareil ou entre lentement	Vérifications automatiques du système	Une fois <b>Start</b> (Marche) appuyé, la appareil fait plusieurs vérifications du système. L'eau coule plusieurs secondes après que <b>Start</b> (Marche) soit appuyé
	Les tamis de vanne d'eau sont colmatés	Coupez l'arrivée d'eau et retirez les tuyaux de connexion d'eau en haut à l'arrière de la appareil. Utilisez une brosse ou un cure-dent pour nettoyer les tamis dans la machine. Reconnectez les tuyaux et rouvrez l'arrivée d'eau.
	Les rondelles à grille de l'admission d'eau sont bloqués	Fermez l'eau et enlevez les tuyaux d'admission des robinets muraux. Utilisez une brosse ou un cure-dent pour nettoyer les rondelles à grille au bout des tuyaux. Reconnectez les tuyaux et ouvrez l'eau.
	Le filtre de la pompe à eau est peut-être bouché	Reportez-vous <b>Entretien et nettoyage</b> pour le nettoyage du <b>Filtre de la pompe</b> .
	Tuyaux de remplissage pliés	Vérifiez que les tuyaux de remplissage ne sont pas pliés ni bouchés.
	L'arrivée d'eau est coupée	Ouvrez à fond les robinets d'eau chaude et d'eau froide.
	Efficacité énergétique	Comme cette appareil est éconergétique, ses réglages de température peuvent différer par rapport à une appareil qui ne l'est pas.
	Alimentation d'eau insuffisante	Assurez-vous que l'alimentation d'eau est ouverte et que les robinets d'eau sont tournés à la position d'ouverture maximale.
	La porte de la appareil est ouverte	La porte de la appareil doit être fermée pendant tous les cycles de lavage. Si la porte est ouverte pendant une cycle de lavage, toutes les fonctions s'arrêteront, y compris le remplissage d'eau.
	Raccordement de tuyaux de remplissage incorrect	Vérifiez que les tuyaux de remplissage relient l'alimentation d'eau chaude à l'entrée d'eau chaude de la appareil et l'alimentation d'eau froide à l'entrée d'eau froide de la appareil (chaude avec chaude, froide avec froide).
Froissement	Tri incorrect	Évitez de mélanger des articles lourds (comme des vêtements de travail) avec des articles légers (comme des chemisiers).
	Surcharge	Chargez la appareil pour que les vêtements aient assez de place pour bouger librement. Pour les meilleurs résultats de séchage, chargez l'appareil au 2/3.
	Cycle de lavage incorrect	Assortissez la sélection de cycle au type de tissus que vous lavez (surtout pour les charges à entretien facile).
	Lavage répété dans de l'eau trop chaude	Lavez dans l'eau froide ou chaude.
Vêtements grisâtres ou jaunâtres	Pas assez de détergent	Utilisez la bonne quantité de détergent.
	Détergent utilisé pas HE (haute efficacité)	Utilisez du détergent HE uniquement.
	Eau calcaire	Utilisez l'eau la plus chaude possible pour le tissu.
		Utilisez un conditionneur d'eau comme la marque Calgon ou installez un adoucisseur d'eau.
	L'eau n'est pas assez chaude	Assurez-vous que le chauffe-eau distribue de l'eau entre 48 et 60°C.
	Le détergent ne se dissout pas	Essayez un HE détergent liquide
Transfert de colorant	Triez les vêtements par couleur. Si l'étiquette du vêtement indique de laver séparément, cela peut indiquer des colorants instables.	

## Conseils de Dépannage...Avant d'appeler un réparateur

Problème	Causes possibles	Correctifs
Taches colorées	Utilisation incorrecte d'assouplisseur	Inspectez le sachet d'assouplisseur de tissu pour des instructions et suivez les directives d'utilisation du distributeur.
	Transfert de colorant	Séparez le blanc et les couleurs claires des couleurs foncées. Sortez rapidement le linge de la appareil.
La température de l'eau est incorrecte	L'arrivée d'eau est mal connectée	Assurez-vous que les tuyaux sont connectés aux bons robinets.
	Le chauffe-eau de la maison est mal réglé	Assurez-vous que le chauffe-eau distribue de l'eau entre 48 et 60°C.
Légère variation dans la couleur métallisée	C'est normal	À cause des propriétés métalliques de la peinture utilisée pour ce produit unique, de légères variations de couleur peuvent être visibles à cause de l'angle de vue et des conditions d'éclairage.
Odeur désagréable dans la appareil	Appareil inutilisée pendant longtemps, pas d'utilisation du détergent HE de la qualité recommandée ou utilisation d'une quantité excessive de détergent	Exécutez un cycle <b>Tub Clean</b> (Nettoyage de cuve).
		En cas d'odeur forte, vous pouvez avoir besoin d'exécuter le cycle
		Utilisez uniquement la quantité de détergent recommandée sur le conteneur de détergent.
		Utilisez uniquement du détergent HE (haute efficacité)
		Retirez toujours rapidement les vêtements humides de la appareil après arrêt de la machine.
Laissez la porte légèrement ouverte pour que l'eau sèche à l'air. Une surveillance étroite est requise pour tout appareil utilisé par des enfants ou à leur proximité. NE laissez pas les enfants jouer sur ou dans cet appareil ou tout autre.		
Fuite de détergent	Positionnement incorrect du contenant de détergent	Assurez-vous que le contenant de détergent est correctement positionné et placé. Ne mettez jamais de détergent au-dessus du trait max.
	C'est normal	Il est normal de voir le détergent fuir sur le joint de la porte environ 20 secondes après remplissage du distributeur.
Distribution incorrecte de l'assouplisseur	Distributeur colmaté	Nettoyez une fois par mois le tiroir distributeur pour retirer les dépôts de produits chimiques.
	Assouplisseur au-dessus du trait max	Assurez-vous de mettre la bonne quantité d'assouplisseur.
	Problème de bouchon d'assouplisseur	Assurez-vous que le bouchon d'assouplisseur du distributeur est positionné ou qu'il fonctionneront pas.
Le tiroir distributeur ne distribue pas correctement	Sachet de détersif placé dans le tiroir distributeur	Les sachets de détersif ne doivent pas être utilisés dans le distributeur. Ils doivent être ajoutés directement dans le panier de lavage conformément aux directives du fabricant.
La pompe fonctionne alors que la appareil n'est pas utilisée	Obstruction dans le drain de puisard	Ce phénomène est normal. Le puisard détecte un niveau d'eau indésirable causé probablement par un robinet ouvert. Fermez la vanne d'eau et vérifiez si elle reste bloquée.

# Conseils de Dépannage...Avant d'appeler un réparateur

Problème	Causes possibles	Correctifs
Le séchage est trop long	Tri erroné	Séparez les articles lourds des légers (en général un linge correctement trié dans la laveuse l'est aussi dans la sècheuse).
	Charges de tissus lourds (serviettes par exemple)	Les tissus lourds et de grande taille contiennent de l'humidité et tardent davantage à sécher. Répartissez les tissus lourds et de grande taille en de plus petites charges pour accélérer le séchage.
	Appareil à condensation	Les sècheuses à condensation prennent généralement plus de temps à sécher qu'une sècheuse à évacuation.
	Les commandes sont mal réglées	Réglez les commandes conformément à la charge que vous séchez.
	Fusibles grillés ou disjoncteur déclenché	Remplacez les fusibles ou réenclenchez les disjoncteurs. La plupart des appareils étant équipés de 2 fusibles/disjoncteurs, assurez-vous que les deux fonctionnent.
	Surcharge/charges mixtes	Ne mettez pas plusieurs charges dans la appareil à la fois.
	Charge insuffisante	Si vous ne séchez qu'un ou deux articles, ajoutez d'autres vêtements afin d'obtenir un bon culbutage.
Le niveau de séchage Dry a été sélectionné mais le linge est toujours humide	La brassée est composée de vêtements lourds et légers	Lorsque vous mélangez les tissus lourds et légers, sélectionnez <b>Auto Extra Dry</b> (Séchage supplémentaire automatique).
Les touches de commande ne répondent pas	Les commandes ont été accidentellement réglées au mode réparation	Appuyez sur <b>Start/Pause</b> (Mise en marche/pause).
	Les commandes ont été accidentellement réglées au mode verrouillage	Maintenez la pression sur les boutons <b>Soil</b> et <b>Temp</b> pendant 3 secondes pour déverrouiller l'appareil.
	Les commandes fonctionnement mal	Réenclenchez le disjoncteur de votre domicile.
Aucun chiffre n'apparaît pendant le cycle, il ne fait que s'allumer	La appareil évalue la quantité d'humidité du linge	C'est normal. Lorsque la appareil détectera un faible niveau d'humidité dans le linge, elle affichera le temps de appareil restant.
Le temps restant a diminué	Le temps estimé risque de changer lorsqu'une charge plus petite est en train de sécher	C'est normal.
Impossible de procéder à une sélection et la appareil émet un double bip	L'option dryness Level (Niveau de séchage), Temp (Temperature) ou l'option que vous tentez de sélectionner est incompatible avec le cycle de séchage sélectionné	C'est normal.
La appareil fonctionne mais 00 est le temps restant affiché	L'option Extend Tumble (Culbutage prolongé) a été sélectionnée	C'est normal. Pendant un culbutage prolongé, le temps restant n'est pas affiché. L'option de culbutage prolongé dure environ 60 minutes.

## Conseils de Dépannage...Avant d'appeler un réparateur

Problème	Causes possibles	Correctifs
La appareil ne chauffe pas	Fusible grillé/disjoncteur déclenché, la appareil peut tourner mais ne chauffe pas	Vérifiez le fusible disjoncteur et remplacez le fusible ou réenclenchez le disjoncteur. Votre appareil peut tourner si un fusible est grillé ou un disjoncteur est déclenché.
Temps de séchage non uniformes	Type de charge et conditions de séchage	La charge, les types de tissu, l'humidité des vêtements et/ou de l'admission d'air situé à l'avant de la appareil affecteront les durées de séchage.
	Des débris se sont accumulés sur le fan empêchant une ventilation adéquate	Consultez la section <b>Entretien et Nettoyage</b> .
Le linge est toujours humide et la appareil s'est arrêtée après quelques instants	La porte a été ouverte au milieu du cycle. Le linge a été ensuite retiré de la appareil et une nouvelle charge introduite sans sélectionner un nouveau cycle	Un cycle de séchage doit être sélectionné chaque fois qu'une nouvelle brassée est placée dans l'appareil.
	Le linge est déjà sec à l'exception des cols et les ceintures	Sélectionnez <b>Timed Dry</b> (Séchage minuté) pour sécher les cols et les ceintures humides. À l'avenir, lorsque vous séchez des articles possédant des cols et des ceintures, sélectionnez plutôt <b>Auto Extra Dry</b> (Séchage supplémentaire automatique).
	La appareil n'est pas placée sur une surface plane	Placez l'appareil sur une surface plane, ou ajustez les pattes au besoin jusqu'à ce qu'il soit bien de niveau.
Le linge est froissé	Linge laissé dans la appareil alors que le cycle est fini	Retirez le linge une fois le cycle terminé, pliez et suspendez-le immédiatement, ou utilisez l'option <b>Ext Tumble</b> (Culbutage Prolongé).
	Surcharge	Répartissez les tissus lourds et de grande taille en de plus petites charges.
Le linge a rétréci	Certains tissus rétréciront naturellement au lavage. D'autres peuvent être lavés sans problème, mais rétréciront dans la appareil	Afin d'éviter tout rétrécissement, suivez les indications figurant sur les étiquettes des vêtements. Certains vêtements doivent être étirés après le séchage afin qu'ils retrouvent leur forme d'origine. Si vous avez peur qu'un vêtement rétrécisse, ne le lavez pas à la machine ou ne le séchez pas dans la sècheuse.
Des tâches de gras sur le linge	Une utilisation inadéquate de l'assouplissant	Suivez le mode d'emploi figurant sur l'emballage de l'assouplissant.
	Séchage de linge propre avec du linge sale	Utilisez votre appareil pour ne sécher que du linge propre. Le linge sale risque de tacher le linge propre et la appareil.
	Le linge n'était pas complètement propre	Il arrive parfois que des taches ne soient pas visibles lorsque le linge est humide et apparaissent après le séchage. Utilisez des procédures de lavage adéquates avant le séchage.
De la charpie sur le linge	Tri erroné	Triez les tissus producteurs de charpie (chenille par exemple) des tissus collecteurs de charpie (le velours côtelé par exemple).
	L'électricité statique peut attirer la charpie	Se reporter aux suggestions de la section <b>Électricité statique</b> .
	Surcharge	Répartissez les tissus lourds et de grande taille en de plus petites charges.
	Papier, mouchoir, etc., oubliés dans les poches	Videz toutes les poches avant de laver le linge.
Électricité statique	Aucun assouplissant n'a été utilisé	Essayez un assouplissant.
	Les synthétiques, les mélanges et les infroissables peuvent provoquer de l'électricité statique	Essayez un assouplissant.

# Conseils de Dépannage...Avant d'appeler un réparateur

Problème	Causes possibles	Correctifs
Les cols et les ceintures sont toujours humides à la fin du cycle	Le capteur d'humidité détecte que la majeure partie du linge est sèche	Sélectionnez <b>Timed Dry</b> (Séchage minuté) pour sécher les cols et les ceintures humides. À l'avenir, lorsque vous séchez des articles possédant des cols et des ceintures, sélectionnez plutôt <b>Auto Extra Dry</b> (Séchage supplémentaire automatique).
La appareil continue à fonctionner après que l'affichage indique que le programme est terminé	L'option de culbutage prolongé a été sélectionnée	Assurez-vous que l'option <b>Ext Tumble</b> (Culbutage prolongé) n'a pas été sélectionnée.

## Indicateur d'aide au consommateur

CHI est un moyen de communiquer une solution simple à certaines situations, que le consommateur peut appliquer lui-même sans devoir faire un appel de service. Le tableau ci-dessous décrit les messages utiles que le consommateur peut voir défiler à l'écran lorsqu'il veut commencer une autre brassée. Ces messages proposent des solutions simples que le consommateur peut appliquer rapidement.

L'icône « Spin » (essorage) clignote	Si la laveuse détecte un déséquilibre de la charge, l'icône d'essorage clignote pendant le reste du cycle et reste allumé un court moment après l'arrêt du cycle. Lorsque ceci se produit, la laveuse exerce une action pour corriger le déséquilibre et terminer le cycle normalement. Dans certains cas, la laveuse peut ne pas être capable de rééquilibrer la charge et d'effectuer l'essorage à pleine vitesse.
« CLrFLtr »	Vidange lente détectée pendant les cycles d'essorage et de vidange de la laveuse. Éteignez l'appareil, et coupez son alimentation en eau. Débranchez le tuyau de vidange du filtre de la pompe de vidange de la laveuse, et nettoyez celui-ci. Rebranchez le tuyau après le nettoyage.
« H2O supply » (alimentation en eau) (l'eau ne parvient pas dans la laveuse)	Vérifiez l'alimentation en eau de la maison. Avez-vous oublié d'ouvrir l'un ou l'autre des deux robinets d'alimentation en eau après l'installation ou au retour des vacances? Dès que le message commence à défiler, la laveuse lance un cycle de verrouillage de quatre (4) minutes. Pendant cette période, les commandes de l'appareil ne répondent pas et ne permettent aucune action. Une fois ces 4 minutes écoulées, vous pourrez recommencer votre cycle. Si vous tentez de contourner la période de verrouillage en débranchant puis rebranchant la laveuse, la minuterie de 4 minutes recommencera depuis le début.
« Door » (porte)	Le message « Door » (porte) s'affiche lorsque trois (3) cycles ont été lancés sans que la porte n'ait été ouverte. La laveuse ne pourra pas lancer un autre cycle tant que la porte n'aura pas été ouverte.
« CAnCELEd » (annulé)	L'écran peut afficher « CAnCELEd » (annulé) si l'appareil a été mis sur pause pendant plus de 24 heures, si de l'eau a été laissée dans l'appareil pendant 15 minutes porte ouverte, ou si l'appareil s'est arrêté avant la fin du cycle en raison d'une défaillance quelconque. Dès que le message commence à défiler, l'appareil lance son cycle de verrouillage. Pendant cette période, les commandes de l'appareil ne répondent pas et ne permettent aucune action. Pour que l'appareil contourne cette période de verrouillage, appuyez sur le bouton d'alimentation ou débranchez puis rebranchez l'appareil.



# Garantie limitée de la Laveuse/Sécheuse GE Appliances

**GARANTIE LIMITÉE**

[www.electromenagersge.ca](http://www.electromenagersge.ca)

Toutes les réparations sous garantie limitée seront effectuées par nos centres de réparation ou nos réparateurs autorisés. Pour planifier un service en ligne, rendez-vous sur [Electromenagersge.ca/fr/soutien/demande-de-service](http://Electromenagersge.ca/fr/soutien/demande-de-service) ou appelez le **800.561.3344**. Veuillez fournir le numéro de série et le numéro de modèle lorsque vous appelez pour obtenir le service.

Pour le diagnostic, la réparation de votre appareil peut nécessiter l'utilisation du port de données embarqué. Celui-ci permet au technicien de réparation GE Appliances de diagnostiquer rapidement des problèmes avec votre appareil. Il permet également à GE Appliances d'améliorer ses produits en fournissant à ces derniers des informations sur votre appareil. Si vous ne voulez pas que les données de votre appareil soient envoyées à GE Appliances, veuillez demander à votre technicien de NE PAS soumettre les données à GE Appliances pendant la réparation.

Pendant la période de :	Nous remplacerons :
<b>Un an</b> À compter de la date d'achat d'origine	<b>Toute pièce</b> défectueuse en raison d'un vice de matériau ou de fabrication. Au cours de cette <b>garantie limitée d'un an</b> , nous fournirons également, <b>sans frais</b> , les pièces et la main-d'œuvre pour remplacer la pièce défectueuse.

## Ce qui n'est pas couvert :

- Toute visite à votre domicile pour vous expliquer le fonctionnement de l'appareil.
- L'installation, la livraison ou l'entretien inadéquats de l'appareil.
- Toute défectuosité du produit attribuable à une utilisation abusive ou inadéquate, s'il a été utilisé à toute autre fin que celle pour laquelle il a été conçu, ou s'il a été utilisé à des fins commerciales.
- Le remplacement des fusibles ou le réenclenchement des disjoncteurs de votre domicile.
- Les produits qui ne sont pas défectueux ou brisés, ou qui fonctionnent tel que décrit dans le Manuel de l'utilisateur.
- Tout dommage au produit attribuable à un accident, un incendie, une inondation ou une catastrophe naturelle.
- Tout dommage accessoire ou indirect, causé par des défaillances possibles de l'appareil.
- Les défectuosités ou les dommages causés par une utilisation de l'appareil à des températures situées sous le point de congélation.
- Tout dommage causé après la livraison.
- Tout produit auquel il n'est pas possible d'accéder pour effectuer les réparations nécessaires.
- Le nettoyage du condenseur pour restaurer la performance de la sécheuse.

## EXCLUSION DES GARANTIES IMPLICITES :

Votre seul et unique recours est de faire réparer le produit dans le cadre de cette garantie limitée. Toute garantie implicite, incluant la garantie de qualité marchande ou d'adaptabilité du produit à un usage particulier, est limitée à un an ou à la période la plus courte autorisée par la loi.

Agrafez le reçu d'achat ici. Pour obtenir le service sous garantie, vous devrez fournir la preuve de l'achat original.

Cette garantie limitée est offerte à l'acheteur initial, ainsi qu'à tout propriétaire subséquent d'un produit acheté au Canada en vue d'une utilisation domestique au Canada. Si le produit se situe dans une zone où aucun réparateur agréé par GE Appliances n'est disponible, vous devrez peut-être assumer les frais de déplacement de celui-ci ou apporter le produit à un atelier de réparation agréé par GE Appliances.

Dans certains États ou province, il est interdit d'exclure ou de limiter les dommages indirects ou accessoires. Il est alors possible que les limitations ou exclusions ci-dessus ne s'appliquent pas dans votre cas. La présente garantie limitée vous confère des droits juridiques spécifiques. Vous pouvez bénéficier d'autres droits, qui varient d'un État ou d'une province à l'autre. Pour connaître les droits dont vous bénéficiez, communiquez avec le bureau des Relations avec les consommateurs de votre région ou de votre province.

**Garant : MC Commercial Inc., Burlington, ON, L7R 5B6**

# Soutien au consommateur

---

## Site Web de GE Appliances

Vous avez une question ou vous avez besoin d'aide pour votre appareil électroménager? Visitez le site Web de GE Appliances 24 heures par jour, tous les jours de l'année! Vous pouvez aussi y trouver d'autres formidables produits GE Appliances et tirer avantage de tous nos services d'assistance en ligne. Au Canada : **ElectromenagersGE.ca/fr**

---

## Enregistrez votre électroménager

Enregistrez votre nouvel appareil en ligne au moment qui vous convient le mieux! L'enregistrement de votre produit dans les délais prescrits permet une meilleure communication et un service rapide, selon les modalités de votre garantie, si besoin est. Vous pouvez également envoyer par courrier la carte d'enregistrement pré-imprimée qui se trouve dans l'emballage de votre appareil.

Au Canada : **electromenagersge.ca/soutien-apres-vente**

---

## Service de réparation

Un service de réparation expert GE Appliances se trouve à quelques pas de chez vous. Rendez-vous sur notre site et programmez, à votre convenance, une visite de réparation à n'importe quel jour de l'année.

Au Canada : **electromenagersge.ca/soutien-apres-vente** ou composez le 800.561.3344

---

## Prolongation de garantie

Procurez-vous une prolongation de garantie GE Appliances et informez-vous des rabais spéciaux en vigueur pendant la durée de votre garantie. Vous pouvez vous la procurer en ligne en tout temps. Les services GE Appliances seront toujours disponibles après l'expiration de la garantie.

Au Canada : **electromenagersge.ca/achat-dune-garantie-prolongee** ou composez le 866.277.9842.

---

## Connectivité à distance

Pour de l'assistance concernant la connectivité au réseau sans fil (pour les modèles équipés de cette fonction), visitez notre site Web au **electromenagersge.ca/connected-appliances** ou composez le 800.220.6899.

---

## Pièces et accessoires

Les personnes ayant les compétences requises pour réparer elles-mêmes leurs appareils peuvent recevoir directement à la maison des pièces ou accessoires (les cartes VISA, MasterCard et Discover sont acceptées). Commandez en ligne 24 heures par jour.

Au Canada : **electromenagersge.ca/pièces-filtres-et-accessoires** ou composer le 800.661.1616.

**Les instructions contenues dans le présent manuel comportent des procédures que tout utilisateur peut effectuer. Les autres types de réparation doivent généralement être confiés à un technicien qualifié. Utilisez de prudence : une réparation ou un entretien mal effectués peuvent rendre l'utilisation de l'appareil dangereuse.**

---

## Communiquez avec nous

Si vous n'êtes pas satisfait du service après-vente de GE Appliances, communiquez avec nous depuis notre site Web en fournissant tous les détails dont votre numéro de téléphone, ou écrivez à :

Au Canada : Director, Customer Relations | MC Commercial Inc. | Suite 300, 5420 North Service Road | Burlington, ON L7L 6C7  
**electromenagersge.ca/contactez-nous** ou composer le 877.994.5366





# Lavadora a Vapor y Secadora por Condensación de Carga Frontal **COMBINACIÓN**

**INFORMACIÓN DE SEGURIDAD** ..... 3

**USAR LA UNIDAD**  
Puesta en Marcha .....6  
Carga .....15

**CUIDADO Y LIMPIEZA**..... 16

**INSTRUCCIONES DE INSTALACIÓN**.....18

**CONSEJOS PARA LA SOLUCIÓN DE PROBLEMAS**.....23

**INDICADOR DE AYUDA AL CONSUMIDOR**..... 29

**GARANTÍA LIMITADA** ..... 31

**ATENCIÓN AL CLIENTE**.....32

**MANUAL DEL PROPIETARIO E INSTALACIÓN**

GFQ14

Escriba el número de modelo y de serie aquí:

N.º de modelo # \_\_\_\_\_

N.º de serie # \_\_\_\_\_

Usted puede encontrarlos en una etiqueta dentro de la puerta.

## **GRACIAS POR HACER QUE GE APPLIANCES SEA PARTE DE SU HOGAR.**

---

Ya sea que haya crecido usando GE Appliances, o que ésta es su primera vez, nos complace tenerlo en la familia.

Sentimos orgullo por el nivel de arte, innovación y diseño de cada uno de los electrodomésticos de GE Appliances, y creemos que usted también. Entre otras cosas, el registro de su electrodoméstico asegura que podamos entregarle información importante del producto y detalles de la garantía cuando los necesite.

Registre su electrodoméstico GE ahora a través de Internet. Sitios Web y números telefónicos útiles están disponibles en la sección de Soporte para el Consumidor de este Manual del Propietario.

También puede enviar una carta en la tarjeta de inscripción preimpresa que se incluye con el material embalado.



**GE APPLIANCES**

# INFORMACIÓN IMPORTANTE DE SEGURIDAD

## LEA TODAS LAS INSTRUCCIONES ANTES DE USAR

### ⚠ ADVERTENCIA

Para reducir el riesgo de muerte, incendio, explosión, descargas eléctricas o lesiones sobre las personas al usar su electrodoméstico, siga las precauciones básicas, incluyendo lo siguiente:

- Lea todas las instrucciones antes de usar este electrodoméstico.
- Siga todas las instrucciones y advertencias de cuidado de tejidos para evitar el derretimiento de las prendas o daños al aparato.
- **NO** lave ni seque prendas que en forma previa hayan sido secadas, lavadas, mojadas o manchadas con gasolina, solventes de limpieza en seco, u otras sustancias inflamables o explosivas, ya que despiden vapores que se podrían encender o explotar.
- **NO** agregue gasolina, solventes de limpieza en seco, u otras sustancias inflamables o explosivas al agua de lavado. Estas sustancias despiden vapores que se podrían prender fuego o explotar.
- **NO** coloque prendas expuestas a aceites de cocción en su unidad. Las prendas contaminadas con aceites de cocción podrán contribuir a una reacción química que podría hacer que una carga de ropa se prenda fuego. Para reducir el riesgo de incendio debido a unas cargas contaminadas, la parte final del ciclo de la secadora se produce sin calor (período de enfriamiento). Al final del ciclo, la puerta permanecerá cerrada durante el período de enfriamiento a fin de generar protección contra aquellas superficies que se calientan durante el secado. El período de enfriamiento será de aproximadamente 10 minutos antes de que la puerta se desbloquee.
- **NO** secar artículos que contengan gomaespuma o materiales de goma con textura similar.
- **NO** guarde materiales combustibles, gasolina u otros líquidos inflamables cerca de la unidad. Mantenga el área alrededor de la ventilación de la entrada de aire en el frente de la unidad y las áreas adyacentes circundantes libres de acumulación de pelusa, polvo y suciedad.
- La parte interior del electrodoméstico debe limpiar periódicamente por personal calificado del servicio técnico.
- **NO** agregue sábanas con pelusa a la unidad de la secadora al lavar.
- **NO** rocíe ningún tipo de aerosol dentro, sobre ni cerca del electrodoméstico en ningún momento. **NO** use ningún tipo de limpiador en espray para limpiar el interior del electrodoméstico. Se podrán producir vapores o una descarga eléctrica.
- Bajo ciertas condiciones, se podrá producir gas de hidrógeno en un sistema de agua caliente que no fue usado por 2 semanas o más. **EL GAS DE HIDRÓGENO ES UN EXPLOSIVO**. Si el sistema de agua caliente no fue usado por dicho período, antes de usar una lavadora, abra todos los grifos de agua caliente y deje que corra agua de cada uno durante varios minutos. Esto liberará cualquier gas de hidrógeno acumulado. Debido a que el gas es inflamable, **NO** fume ni use una llama abierta durante este proceso.
- **NO** permita que los niños jueguen sobre o dentro de este electrodoméstico. Cuando el electrodoméstico se use cerca de niños, será necesario supervisarlos de cerca. Antes de dejar este electrodoméstico fuera de servicio o de deshacerse de ésta, quite la puerta o la tapa. Si no se siguen estas instrucciones, se podrá producir la muerte o lesiones personales.
- **NO** introduzca las manos en el electrodoméstico si el tambor se encuentra en movimiento a fin de evitar enredos accidentales.
- **NO** instale ni guarde este electrodoméstico donde quede expuesto a los factores climáticos.
- **NO** manipule indebidamente los controles, reparar ni reemplazar cualquier parte del electrodoméstico o realizar cualquier otro trabajo técnico, a menos que esto sea específicamente recomendado en las instrucciones de mantenimiento del usuario o en instrucciones publicadas sobre reparaciones del usuario, que entienda y para las cuales posea las destrezas necesarias.
- **NO** se trepe ni se pare sobre la unidad.

## LEA Y GUARDE ESTAS INSTRUCCIONES

# INFORMACIÓN IMPORTANTE DE SEGURIDAD

## LEA TODAS LAS INSTRUCCIONES ANTES DE USAR

### ⚠ ADVERTENCIA

Para reducir el riesgo de muerte, incendio, explosión, descargas eléctricas o lesiones sobre las personas al usar su electrodoméstico, siga las precauciones básicas, incluyendo lo siguiente:

- **NO** intente usar este electrodoméstico si se encuentra dañado, funcionando mal, parcialmente desensamblado, o si tiene partes faltantes o rotas, incluyendo un cable o enchufe dañado.
- Desenchufe el electrodoméstico o apague el disyuntor antes de realizar el servicio técnico. Presionar el botón **Power** (Encendido) **NO** desconecta el encendido.
- Para acceder a las instrucciones de conexión a tierra, lea los “REQUISITOS ELÉCTRICOS” ubicados en las Instrucciones de Instalación.

### Forma adecuada de descartar su electrodoméstico

- Descarte o recicle su electrodoméstico de acuerdo con las Regulaciones Federales y Locales. Comuníquese con las autoridades locales para descartar o reciclar su electrodoméstico de forma ambientalmente segura.

**LEA Y GUARDE ESTAS INSTRUCCIONES**

# INFORMACIÓN IMPORTANTE DE SEGURIDAD

## LEA TODAS LAS INSTRUCCIONES ANTES DE USAR

### INSTALACIÓN CORRECTA

La unidad se debe instalar y colocar correctamente de acuerdo con las instrucciones de instalación, antes de utilizarla.

- Asegúrese de que la manguera de agua caliente esté conectada a la válvula "H" y que la manguera de agua fría esté conectada a la válvula "C".
- Instale o almacene la unidad en un lugar donde no esté expuesta a temperaturas bajo cero ni a las inclemencias climáticas, ya que esto puede provocar daños irreversibles e invalidar la garantía.
- Conecte correctamente a tierra la unidad de conformidad con todos los códigos y ordenanzas regulatorias. Siga la información de Instrucciones de instalación.
- Asegúrese de que la unidad esté correctamente nivelada y que sus patas estén ajustadas de modo que la unidad se encuentre estable.
- GE Appliances recomienda enfáticamente el uso de piezas especificadas de fábrica. A continuación se encuentra una lista de mangueras de fábrica disponibles para la compra. Estas mangueras están fabricadas y probadas para cumplir con las especificaciones de GE Appliances.
- GE Appliances recomienda enfáticamente el uso de mangueras nuevas de suministro de agua. Las mangueras se desgastan con el tiempo y deben reemplazarse cada 5 años para reducir el riesgo de fallas en las mangueras y daños provocados por el agua.
- Tenga en cuenta las opciones de reciclaje del material de embalaje de su electrodoméstico.

### CUANDO NO ESTÉ EN USO

- Cierre las llaves de paso minimizar las fugas en caso de que se produzca una rotura o grieta. Compruebe el estado de las mangueras de llenado; GE Appliances recomienda el cambio de las mangueras cada 5 años.

### PIEZAS Y ACCESORIOS

Solicítelos on-line hoy mismo a [GEApplianceparts.com](http://GEApplianceparts.com), las 24 horas del día o por teléfono al **877.959.8688** en horario normal de trabajo.

Número de Pieza	Accesorio
WH49X316	Extensión de la manguera de drenaje
PM14X10002	Mangueras de goma de suministro de agua de 4 pies
<b>O</b> PM14X10005	Mangueras trenzada de suministro de agua de 4 pies
WX10X10011	Limpiador Tide® para Lavadoras*
PM7X1	Bandeja del Piso de la Lavadora
GFA140SS	Elevador de carga frontal de 24" – en cumplimiento con ADA con bandeja de goteo con acceso al servicio de plomería

\*Tide® es una marca registrada de Procter & Gamble.

## LEA Y GUARDE ESTAS INSTRUCCIONES

# Puesta en Marcha

## ⚠ ADVERTENCIA

Para reducir el riesgo de incendios, descargas eléctricas o heridas, lea las **INFORMACIÓN IMPORTANTE DE SEGURIDAD** antes de utilizar este electrodoméstico.

## Introducción

- Esta unidad permite: lavado únicamente; secado únicamente, ciclos de lavado y secado.
- Para un mejor rendimiento del lavado y el secado, llene el tambor hasta 2/3 de su capacidad con ropa sucia. Esto permite el movimiento de aire y un secado apropiado. Un tambor completamente lleno hará que los tiempos de secado sean más prolongados.

**NOTA:** Durante los ciclos de secado, la temperatura de la unidad podrá ser muy alta. Por esta razón, la puerta se bloqueará durante el ciclo de secado y permanecerá bloqueada hasta que las temperaturas descendan. Si se presiona **Start/Pause** (Inicio/Pausa) a mitad del ciclo para agregar otra prenda, la unidad actualizará el estado del ciclo en "Cool" (Frío) y la puerta permanecerá bloqueada para permitir que la unidad se enfríe de forma segura. Esto podrá tomar hasta 15 minutos, dependiendo de las condiciones internas de la máquina. Forzar la apertura de la puerta hará que el mecanismo de la misma se averíe.

- La unidad utiliza tecnología de secado por condensación. Esto permite la instalación y el uso sin ventilación, pero las cargas tardan aproximadamente una vez y medio más en secarse que con una secadora con ventilación tradicional.

Es posible que las funciones y apariencias varíen con relación a su modelo a lo largo del manual.

## Inicio rápido

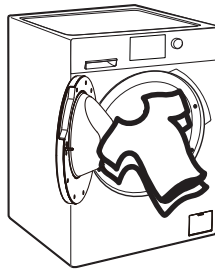
### Paso 1

(La apariencia variará)



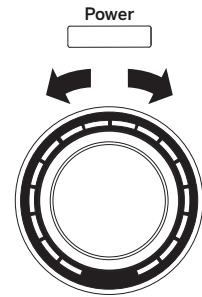
- Agregue el suavizante al dosificador para suavizante; para más detalles, lea la página 14.
- Agregue la cantidad de detergente recomendada por el fabricante. GE Appliances recomienda el uso de detergentes de Alta Eficiencia tales como en su unidad de energía eficiente. Coloque los recipientes de detergente en la parte inferior de la canasta de lavado antes de agregar la ropa.

### Paso 2



- Agregue las prendas. Sobrecargar el tambor puede producir un impacto negativo en el desempeño de lavado y secado. Consulte la página 15 para obtener ejemplos de carga sugeridos.
  - Cierre la puerta.
- NOTA:** La unidad no se iniciará con la puerta abierta.

### Paso 3



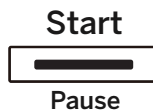
- Si la pantalla se encuentra oscura, presione el botón Power (encendido/apagado) para "despertar" la pantalla.
- Seleccione un ciclo de lavado. (Existen configuraciones por defecto para cada ciclo de lavado. Estas configuraciones por defecto pueden modificarse. Para más información, consulte Configuraciones de control.)
- La unidad se podrá usar como secadora sólo girando la perilla selectora hasta uno de los ciclos de secado en rojo.

### Paso 4



- Configure la temperatura de secado presionando la tecla Dry (Secado). La unidad hará funcionar de forma automática Auto Dry (Secado Automático) una vez que el ciclo de secado se haya completado.
- Configure la tecla Dry (Secado) en Off (Apagado) para activar un ciclo de lavado únicamente.

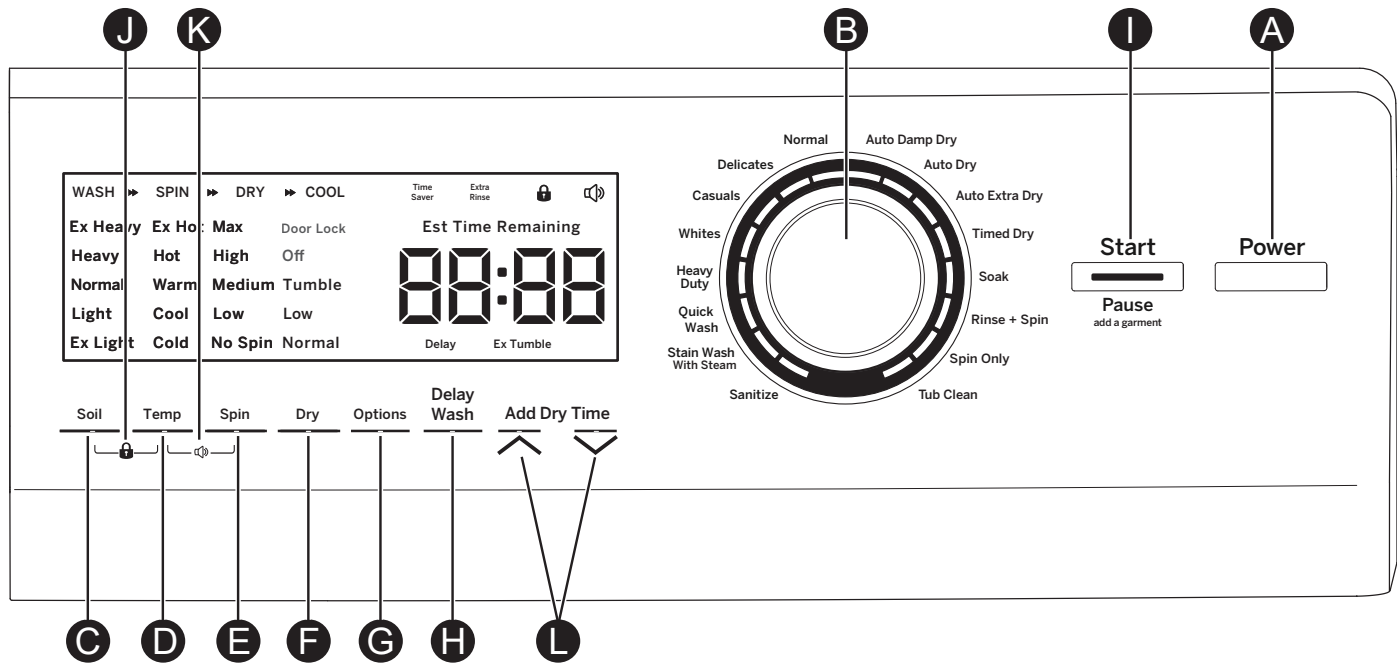
### Paso 5



- Presione el botón Start/Pause (iniciar/pausa).

# Puesta en Marcha

## Controles



## Pantalla y las Luces de Estado

La pantalla muestra el estado del ciclo (WASH ► SPIN ► DRY ► COOL), el **Estimated Time Remaining** (tiempo estimado restante) hasta el final del ciclo y las opciones seleccionadas. Además, la pantalla mostrará:

	Controls locked on.
	End of cycle signal on.
<b>Door Lock</b>	La puerta se bloqueará desde el comienzo del ciclo hasta el final de la fase de enfriamiento.

**NOTA:** Si un problema de desbalance es detectado por la unidad, la luz de **SPIN** (Centrifugado) titilará durante la parte restante del ciclo y permanecerá iluminada durante un período de tiempo corto luego de que se complete el ciclo. Cuando esto sucede, la unidad está realizando acciones para corregir el problema de desbalance y completar el ciclo normalmente. En algunos casos, es posible que la unidad no logre equilibrar la carga y que gire a toda velocidad. Haga correr un ciclo de **Spin Only** (Centrifugado solamente).

## **A** Power (Encendido/Apagado)

Pulse este botón para “activar” la pantalla. Si la pantalla está activa, púselo para poner la unidad en modo de espera.

**NOTA:** Al pulsar el botón de **Power** (Encendido/Apagado) no se desconecta la unidad de la corriente.

# Puesta en Marcha

## B Ciclos - Lavado, Remojo, Secado y Limpieza

Los ciclos se han optimizado para tipos específicos de cargas. La siguiente tabla le ayudará a combinar el tipo con las cargas. Los elevadores Gentle Wash™ hacen girar la ropa suavemente en la solución de agua y detergente para limpiar la carga.

Prendas a Lavar	Ciclo	Nivel de Suciedad	Temperatura de Lavado	Selección del Giro	Seco	Opciones Disponibles	Detalles del Ciclo
Ciclo para el uso normal, regular o típica para el lavado hasta una carga completa de ropa de algodón de suciedad normal.	Normal	Ext. Sucia Sucia <b>Normal</b> Apenas Sucia Ex. Apenas Sucia	Muy caliente Caliente <b>Tibio</b> Fresca Fría	<b>Max</b> Alto Medio Sin centrifugado	Off Giro Bajo <b>Normal</b>	Ahorro de Tiempo Enjuague extra Giro Extendido Retrasar	Ciclo para el uso normal, regular o típica para el lavado hasta una carga completa de ropa de algodón de suciedad normal. Elija la selección de nivel de suciedad Heavy (Sucio) o Extra Heavy (Muy Sucio) o la selección de temperatura Hot Water (Agua Caliente), según sea apropiado para su carga de ropa en un nivel de lavado más alto.
Lencería y telas que requieren cuidado especial con suciedad entre leve.	Delicates	Ext. Sucia Sucia <b>Normal</b> Apenas Sucia Ex. Apenas Sucia	Tibio Fresca <b>Fría</b>	Alto <b>Medio</b> Sin centrifugado	Off Giro <b>Bajo</b> Normal	Ahorro de Tiempo Enjuague extra Giro Extendido Retrasar	Para prendas con etiqueta de lavado a mano con poca suciedad. Ofrece un secado delicado y remojo durante el lavado y enjuague.
Ropa informal, con poca suciedad para uso de oficina.	Casuals (Ropa de uso diario)	Ext. Sucia Sucia <b>Normal</b> Apenas Sucia Ex. Apenas Sucia	Muy caliente Caliente Tibio <b>Fresca</b> Fría	<b>Max</b> Alto Medio Sin centrifugado	Off Giro Bajo <b>Normal</b>	Ahorro de Tiempo Enjuague extra Giro Extendido Retrasar	Ciclo de lavado a medida para el cuidado de ropa informal y prendas de oficina.
Blanca y ropa de cama.	Whites (Blanca)	Ext. Sucia Sucia <b>Normal</b> Apenas Sucia Ex. Apenas Sucia	Muy caliente Caliente <b>Tibio</b> Fresca Fría	<b>Max</b> Alto Medio Sin centrifugado	Off Giro Bajo <b>Normal</b>	Ahorro de Tiempo Enjuague extra Giro Extendido Retrasar	Ciclo adaptado para limpiar y dar brillo a sus blancos.
Telas fuertes con mediano o alto nivel de suciedad.	Heavy Duty (Muy Resistentes)	Ext. Sucia <b>Sucia</b> Normal Apenas Sucia Ex. Apenas Sucia	Muy caliente Caliente <b>Tibio</b> Fresca Fría	<b>Max</b> Alto Medio Sin centrifugado	Off Giro Bajo <b>Normal</b>	Ahorro de Tiempo Enjuague extra Giro Extendido Retrasar	Incorpora un lavado de pasos múltiples y un período de remojo combinado con períodos de lavado prolongados, para limpiar de forma efectiva telas fuertes con mediano o alto nivel de suciedad.
Para pequeñas cantidades de prendas con poca suciedad que se necesitan de forma rápida.	Quick Wash (Lavado Rápido)	Ext. Sucia Sucia Normal Apenas Sucia Sucia <b>Ex. Apenas Sucia</b>	Caliente <b>Tibio</b> Fresca Fría	<b>Max</b> Alto Medio Sin centrifugado	Off Giro Bajo <b>Normal</b>	Enjuague extra Giro Extendido Retrasar	Para el lavado de cargas con poca suciedad en el menor tiempo posible. La duración del ciclo es de aproximadamente 33 minutos, dependiendo de las opciones seleccionadas.
Ciclo para ropa con mucha suciedad que no destiñe.	Stain Wash with Steam (Lavado de Manchas con Vapor)	Ext. Sucia Sucia <b>Normal</b> Apenas Sucia Ex. Apenas Sucia	Muy caliente Caliente <b>Tibio</b> Fresca Fría	<b>Max</b> Alto Medio Sin centrifugado	Off Giro Bajo <b>Normal</b>	Ahorro de Tiempo Enjuague extra Giro Extendido Retrasar	Agregue vapor a la unidad para ayudar en la eliminación de manchas en ropa demasiado sucia que no destiñe.



# Puesta en Marcha

## **B** Ciclos - Lavado, Remojo, Secado y Limpieza (Continuado)

Prendas a Lavar	Ciclo	Nivel de Suciedad	Temperatura de Lavado	Selección del Giro	Seco	Opciones Disponibles	Detalles del Ciclo
Prendas muy sucias que no destiñen necesitando una desinfección.	Sanitize (Desinfecte)	Ext. Sucia Sucia <b>Normal</b>	<b>Muy caliente</b>	<b>Max</b> Alto Medio Sin centrifugado	Off Giro Bajo <b>Normal</b>	Enjuague extra Giro Extendido Retrasar	Use este ciclo para eliminar el 99.9% de las bacterias de las telas. El ciclo use un ciclo de lavado más prolongado, brindando el beneficio de la desinfección. Una purga de la bomba y un enjuague más prolongado son incorporados a fin de eliminar los contaminantes. Para obtener mejores resultados, seleccione la función Extra Heavy (Extra Sucio), si está disponible. Véase la <b>NOTA</b> a continuación.
Use esta función para colocar la ropa en remojo	Soak (Remojo)	Ex. Heavy Heavy <b>Normal</b> Light Ex. Light	Ex. Hot Hot <b>Warm</b> Cool Cold			Ahorro de Tiempo Giro Extendido Retrasar	La canasta se llenará de agua para realizar el remojo y de forma suave agitará la carga. Al final del ciclo, el agua restante será drenada.
Para aquellas prendas que sólo necesitan ser enjuagadas, use este ciclo.	Rinse + Spin (Enjuague + Centrifugado)			<b>Max</b> Alto Medio Sin centrifugado	<b>Off</b> Giro Bajo Normal	Enjuague extra Giro Extendido Retrasar	Para enjuagar y centrifugar rápidamente cualquier prenda en cualquier momento. Utiliza un giro de alta velocidad para extraer el agua de las prendas mojadas. Para lograr la combinación de drenaje y centrifugado, deseccione la opción Extra Rinse (Enjuague Adicional). Este ciclo va a distribuir detergente de prelavado y suavizante de telas.
Use esta función para secar la ropa que ya fue lavada.	Spin Only (Sólo Giro)			<b>Max</b> Alto Medio Sin centrifugado	<b>Off</b> Giro Bajo Normal	Retrasar	Utiliza un giro de alta velocidad para extraer el agua de aquellas prendas mojadas.
Limpieza de la canasta de residuos y olores de la canasta. No se lavará ropa al usar este ciclo.	Tub Clean (Limpieza de la Canasta)					Retrasar	<b>Uso recomendado de una vez por mes</b> para limpiar la canasta de residuos y los olores. Nunca cargue ropa sucia al usar este ciclo; la misma podrá ser dañada. El ciclo incorpora un lavado caliente extendido, acción de agitación intensa y enjuague intenso.

**NOTA:** El valor de las temperaturas del agua del ciclo **Sanitize** NO se puede cambiar. Los ciclos **Sanitize** están certificados por NSF International, una organización independiente de tercera parte de verificación y certificación.

La certificación **Sanitize** verifica que el ciclo reduzca 99,9% de las bacterias que se encuentran típicamente en la prenda residencial y que ninguna contaminación significativa es transferida a las cargas siguientes. Sólo el ciclo **Sanitize** ha sido diseñado para satisfacer los requisitos del Protocolo NSF P172 para una desinfección eficiente.



NSF Protocol P172  
Esterilización Desempeño de Residencial y  
Comerciales, Lavadoras de Tamaño de la Familia

## Puesta en Marcha

### **B** Ciclos - Secado

Los ciclos se han optimizado para tipos específicos de cargas. La siguiente tabla le ayudará a combinar el tipo con las cargas.

Artículos para secar	Ciclo	Nivel de Suciedad	Temperatura de Lavado	Selección del Giro	Seco	Opciones Disponibles	Detalles del Ciclo
Use esta función para secar la ropa durante una cantidad de tiempo específica.	Timed Dry (Secado por Tiempo)				Giro Bajo <b>Normal</b>	Giro Extendido Retrasar	<ol style="list-style-type: none"> <li>Una vez que se haya seleccionado el ciclo <b>Timed Dry</b> (Secado por Tiempo), presione las teclas con flechas para incrementar o reducir el tiempo de secado.</li> <li>Seleccione la temperatura de secado (<b>Dry</b>).</li> <li>Cierre la puerta.</li> <li>Presione <b>Start/Pause</b> (Iniciar/Pausar).</li> </ol>
Se usa con telas o prendas pesadas que deben estar muy secas, tales como toallas	Auto Extra Dry (Secado Extra Automático)				Giro Bajo <b>Normal</b>	Giro Extendido Retrasar	El sensor monitorea de forma continua la cantidad de humedad de la carga, detectando la temperatura del tambor. El ciclo finaliza cuando la humedad alcanza el nivel de secado seleccionado.
Se usa en el nivel de secado normal, adecuado para la mayoría de las cargas. Éste es el ciclo preferido para ahorrar energía	Auto Dry (Secado Automático)				Giro Bajo <b>Normal</b>	Giro Extendido Retrasar	El sensor monitorea de forma continua la cantidad de humedad de la carga, detectando la temperatura del tambor. El ciclo finaliza cuando la humedad alcanza el nivel de secado seleccionado.
Para dejar las prendas parcialmente húmedas. Secado con Humedad Automático.	Auto Damp Dry				Giro Bajo <b>Normal</b>	Giro Extendido Retrasar	El sensor monitorea de forma continua la cantidad de humedad de la carga, detectando la temperatura del tambor. El ciclo finaliza cuando la humedad alcanza el nivel de secado seleccionado.

# Puesta en Marcha

## C Soil

### Soil (Suciedad)

Al cambiar el nivel de suciedad, aumenta o disminuye el tiempo de lavado con el fin de eliminar las distintas cantidades de suciedad.

Para cambiar el nivel de suciedad, pulse el botón **Soil** (Suciedad) hasta obtener el valor deseado. Puede elegir entre los niveles de suciedad Extra Light (Muy Poca), Light (Poca), Normal, Heavy (Mucha) or Extra Heavy (Muy Mucha).

## D Temp

### Temp (Temperatura)

Ajuste este control para seleccionar la temperatura del agua adecuada para el ciclo de lavado. El agua de prelavado y enjuagado está siempre fría para poder reducir el consumo de energía y las manchas y arrugas.

Siga las indicaciones de la etiqueta de cuidado del fabricante del tejido al seleccionar la temperatura de lavado.

Para cambiar la temperatura de lavado, pulse el botón **Temp** (Temperatura) hasta obtener el valor deseado. Puede elegirse entre Cold (Frío), Cool (Fresco), Warm (Tibio), Hot (Caliente) o Extra Hot (Muy Caliente).

## E Spin

### Spin (Centrifugado)

Al cambiar la configuración de centrifugado, cambia la velocidad final de centrifugado de los ciclos. Siga siempre las indicaciones de la etiqueta de cuidado del fabricante de la prenda al cambiar la configuración de centrifugado.

Para cambiar la configuración de centrifugado, pulse el botón **Spin** (Configuración de centrifugado) hasta obtener el valor deseado. Puede elegirse entre No Spin (Sin Centrifugado), Low (Bajo), Medium (Medio), High (Alto) o Max (Máximo). Las velocidades de centrifugado más rápidas no están disponibles en determinados ciclos, como Delicates (Prendas Delicadas).

Con dichas velocidades, se elimina más agua de las prendas y se reduce el tiempo de secado, aunque también puede aumentar la posibilidad de que se formen arrugas en algunos tejidos.

## F Dry

### Dry (Seco)

Cambiar la función Dry (Secado) modificará la temperatura de su ciclo de secado:

<b>Normal</b>	Para la ropa regular hasta algodones pesados, sintéticas, combinadas y prendas con etiqueta de planchado permanente
<b>Low (Bajo)</b>	Para prendas delicadas, sintéticas y con etiqueta de Secado a Baja Temperatura.
<b>Tumble (Giro)</b>	Las prendas son giradas de forma continua sin calor.
<b>Off</b>	La unidad saltará el ciclo de secado y sólo lavado

## G Options

### Options (Opciones)

Presione para seleccionar sus opciones deseadas:

<b>Time Saver (Ahorro de Tiempo)</b>	Time Saver (Ahorro de Tiempo) utiliza más agua y energía a fin de reducir el tiempo del ciclo, mientras se mantiene el rendimiento sobre el lavado y el enjuague.
<b>Extra Rinse (Enjuague extra)</b>	Esta función reduce la cantidad de residuos de detergente sobre la ropa al final del lavado, agregando un tercer paso de enjuague luego del lavado principal. Como configuración por omisión, la máquina realiza un paso de doble enjuague al final del lavado.
<b>Ex Tumble (Giro Extendido)</b>	Esta función brinda un secado periódico hasta durante 8 horas luego de que el ciclo entero se haya completado, a fin de mantener la ropa fresca e impedir que se instalen arrugas. Use esta función cuando no pueda retirar la ropa tan pronto como el ciclo finalice.

## Puesta en Marcha

H

Delay  
Wash

### Delay Wash (Retrasar Lavar)

Utilícelo para retardar el inicio de su unidad.

1. Elija su ciclo de lavado y cualquier otra opción.
2. Presione el botón **Delay Wash** (Retrasar Lavar). Usted puede cambiar el tiempo de retardo en unidades de 1 hora (hasta 24 horas) cada vez que presiona el botón **Delay Wash** (Retrasar Lavar). Deje de presionar el botón cuando vea el tiempo deseado.
3. Presione el botón de **Start/Pause** (Inicio/Pausa) para iniciar la cuenta regresiva.

El tiempo restante podrá verse en la pantalla de **Est Time Remaining** (Estimated Time Remaining - Tiempo Restante Estimado).

#### NOTAS:

- Si la puerta es abierta mientras la unidad se encuentra en **Delay Wash** (Lavado con Retraso), el conteo detendrá la cuenta regresiva y en la pantalla se visualizará "puerta". La puerta deberá ser cerrada y el botón **Start/Pause** (Iniciar/ Pausar) deberá ser presionado para continuar con la cuenta regresiva del tiempo de retraso.
- Se puede retardar el inicio de un ciclo de lavado hasta 24 horas.

La luz del botón se encenderá cuando **Delay Wash** (Retrasar Lavar) esté funcionando.

I

Start



Pause

### Start/Pause (Inicio/Pausa)

Pulse este botón para iniciar un ciclo de lavado. Si la unidad está en funcionamiento, al pulsarlo una vez, la unidad se detendrá y se desbloqueará la puerta. Esta función puede utilizarse para agregar prendas durante un ciclo. Vuelva a pulsar el botón para reiniciar el ciclo de lavado.

**NOTA:** Si la unidad está detenida y el ciclo no se reinicia en 15 minutos, se cancelará el ciclo de lavado actual.

**NOTA:** En algunos ciclos, la unidad realiza el desagüe primero, luego destrabe la puerta cuando se encuentra en pausa.

**NOTA:** La unidad realiza revisiones automáticas del sistema después de presionar el botón **Start/Pause** (Inicio/Pausa). El flujo de agua se iniciará en 45 segundos o antes. Podrá escuchar la puerta al trabarse y destrabarse antes de que comience a fluir el agua; esto es normal.

J

Soil Temp



### Lock (Bloquear)

Puede bloquear los controles para impedir que se realice cualquier selección. O bien puede bloquear los controles después de haber iniciado un ciclo.

Con esta opción seleccionada, los niños no podrán poner en marcha la unidad de manera fortuita aunque toquen el panel.

Para bloquear la unidad, presione y sostenga los botones **Soil** (Suciedad) et **Temp** (Temperatura) al mismo tiempo durante 3 segundos.

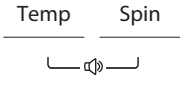
Para desbloquear los controles de la unidad, presione y sostenga los botones **Soil** (Suciedad) et **Temp** (Temperatura) al mismo tiempo durante 3 segundos. Se escuchará un sonido que indica la condición de bloqueado/desbloqueado.


El icono de bloqueo de los controles que aparece en la pantalla se encenderá cuando esté activado.

**NOTA:** El botón **Power** (Encendido/Apagado) puede seguir utilizándose cuando la unidad está bloqueada.

# Puesta en Marcha

---

- K**  **Signal (Señal)**
- Cuando la luz está encendida, la unidad emitirá un pitido al final del ciclo y cada vez que se presione un botón del panel de control.
- Para apagar la señal, mantenga presionados los botones **Temp** (Temperatura) y **Spin** (Giro) al mismo tiempo por 3 segundos. Un sonido es realizado para indicar el estado de bloqueo/desbloqueo.
- 

- L**  **Add Dry Time (Agregue Tiempo de Secado)**
- Presione las teclas con flechas hacia arriba y abajo para incrementar o reducir el tiempo del ciclo de **Dry** (Secado), según se desee. **NOTA:** Sólo disponible en el ciclo **Timed Dry** (Secado con Temporizador).

# Puesta en Marcha

## Depósito de detergente

Abra lentamente el depósito de detergente tirando de él hasta que se detenga.

Tras añadir los productos de lavado, ciérrelo despacio. Si cierra el depósito demasiado rápido, puede provocar que el suavizante o el detergente se administren antes de tiempo.

Es posible que observe agua en lo compartimento de suavizante al final del ciclo. Este es el resultado de la acción de trasvase y forma parte del funcionamiento normal de la unidad.

Use sólo detergente de alta eficiencia



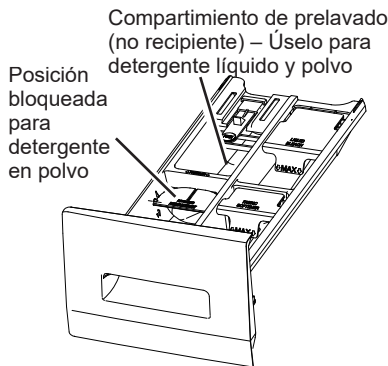
## Compartimento para el detergente

- **Sólo use detergente de alta eficiencia en esta unidad. Utilice la cantidad recomendada por el fabricante del detergente. NO sobrepase la línea MAX de llenado.**
- El detergente se añade desde el depósito al comienzo del ciclo de lavado. Puede utilizarse detergente de alta eficiencia en polvo o líquido.
- Es posible que haya que ajustar el uso de detergente a la temperatura del agua, a la dureza de la misma, al tamaño y al nivel de suciedad de la carga. Evite utilizar demasiado detergente en la unidad ya que puede producir demasiado jabón y dejar restos en las prendas.

## Sistema del divisor del cajón

El depósito de detergente se encuentra en la parte **delantera izquierda** del cajón dosificador.

- **Detergente en polvo** – Bloquee la tarjeta de detergente en su posición superior en el compartimento. Asegúrese de que la tarjeta esté bloqueada, luego vierta la cantidad sugerida de detergente en polvo en el dispensador de detergente.
- **Detergente líquido** – Bloquee la tarjeta de detergente verticalmente en su posición central en el compartimento. Asegúrese de que la tarjeta esté bloqueada, luego vierta la cantidad sugerida de detergente líquido en el dispensador de detergente.



## Compartimento para el suavizante

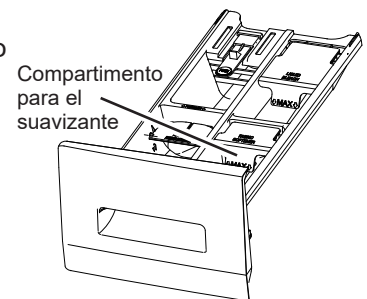
Si lo desea, vierta la cantidad recomendada de suavizante líquido en el compartimento con la etiqueta "Fabric Softener" (suavizante).

Utilice sólo suavizante líquido en el depósito.

Dilúyalo con agua hasta la línea de llenado máximo.

No sobrepase la línea de llenado máximo. Un llenado excesivo puede hacer que el suavizante se administre demasiado pronto y manche las prendas.

**NOTA:** No vierta directamente el suavizante sobre la carga.



# Carga

Siempre siga las instrucciones del fabricante de la ropa cuando lave.

## Clasificación y Carga

Separe por color (blancos, claros, colores), nivel de suciedad, tipo de tela (algodones rústicos, limpieza fácil, delicados) y si la tela produce pelusa (tela de toalla, felpilla) o junta pelusa (terciopelo, pana). Lave los productores de pelusas tales como toallas de algodón y medias aparte de los recolectores de pelusas, incluyendo prendas sintéticas y pantalones de vestir.

### **ADVERTENCIA** - Riesgo de incendio

**NO** lave tejidos sucios con líquidos inflamables o disolventes de limpieza.  
 Ninguna lavadora puede eliminar el aceite por completo.  
**NO** lave o seque cualquier cosa remojada o salpicada con cualquier tipo de aceite (incluyendo aceites de cocina).  
**NO** toque el interior de la unidad antes de que todas las partes en movimiento se hayan detenido.  
 Mantenga cualquier material y vapores inflamables, tales como gasolina, alejados de la unidad.  
 Las prendas con gomaespuma, goma, o plástico deberán ser secadas en un tendedero.  
 Si no se cumple con esto, se podrá producir muerte, explosión, incendio o amputación.

## Cargando para lavar

El tambor se podrá cargar completamente con prendas agregadas de forma general cuando se realice el ciclo de lavado únicamente. Si se lavará y secará durante el ciclo, sólo cargue el tambor hasta un máximo de 2/3 de su capacidad, a fin de permitir la circulación de aire durante el secado. Una carga excesiva para el secado conducirá a un rendimiento bajo de este último.

Para agregar prendas una vez iniciada la unidad, presione **Start/Pause** (Iniciar/Pausar) y espere hasta que la puerta esté desbloqueada. La unidad podrá tardar 30 segundos en desbloquear la puerta luego de haber presionado **Start/Pause** (Iniciar/Pausar) durante el ciclo de lavado, dependiendo de las condiciones de la máquina. La unidad podrá tardar hasta 15 minutos en desbloquear la puerta si se presiona **Start/Pause** (Iniciar/Pausar) durante el ciclo **Dry** (Secado).

No intente forzar la puerta una vez que se encuentre bloqueada. Una vez que la puerta se desbloquee, abra la misma de forma suave. Agregue prendas, cierre la puerta y presione **Start/Pause** (Iniciar/Pausar) para reiniciar el ciclo.

## Ejemplos de Carga para Lavado Únicamente

ROPA DE TRABAJO	ROPA DE CAMA	CARGA MIXTA	DELICADOS*	LAVADO RÁPIDO (2-3 PRENDAS)
3 Jeans 3 camisas de trabajo 2 pantalones de trabajo	1 toallon grande 6 toallas de baño/ 8 toallitas 4 toalla de mano/ 1 alfombra de baño de toalla ○ 1 sábana rectas tamaño Queen 1 sábana ajustables tamaño Queen 2 fundas de almohada	2 fundas de almohada 1 toalla de mano 1 sábana rectas/ 1 sábana ajustable 2 toallas de baño/ 2 toallitas ○ 4 camisas (de hombre o de mujer) 3 pantalones (Khakis o de sarga) 3 camisetas 4 boxers 2 shorts ○ 4 camisetas 2 pantalones de gimnasia 2 sudaderas 1 sudadera con capucha 5 pares de medias	4 sostenes 4 pantaletas 2 enaguas 1 camisola 3 camisones *Se recomienda el uso de una bolsa de malla de nylon para elementos pequeños	2 camisas de trabajo informales 1 pantalón de trabajo informal ○ 3 uniformes de fútbol

## Carga de Secado Únicamente o Ciclos de Lavado y Secado

Al realizar un ciclo de secado únicamente o un ciclo de lavado y secado, sólo cargue el tambor hasta un máximo de 2/3 de su capacidad a fin de permitir la circulación de aire durante el secado.

Como regla general, si las prendas están bien clasificadas para la lavadora, estarán bien clasificadas para la secadora. También trate de clasificar las prendas de acuerdo al tamaño. Por ejemplo, no seque una sábana con medias u otros elementos pequeños.

No agregue suavizante de telas una vez que la carga se ha calentado. Esto puede provocar manchas de suavizante. El acondicionador de telas Bounce® en hojas para secadoras ha sido aprobado para su uso en esta unidad cuando se utiliza de acuerdo con las instrucciones del fabricante.

**No la sobrecargue.** Eso malgasta energía y provoca arrugas.

# Cuidado y limpieza

## Mangueras de suministro de aguas

De forma periódica, inspeccione que no haya pérdidas de agua, desgastes, cortes, corrosión ni bultos en todas las mangueras de entrada de agua. En caso que aparezcan signos de cualquiera de estas fallas, reemplace todas las mangueras de inmediato. Todas las mangueras se deberán reemplazar cada 5 años de uso, a fin de reducir riesgos de fallas por parte de las mangueras y posibles daños ocasionados por el agua. Al reemplazar las mangueras, consulte las Instrucciones de Instalación a fin de realizar una instalación correcta. NO ajuste en exceso ni desgaste las roscas de los accesorios. NO permita que la manguera roce contra objetos filosos, que se retuerza, o se extienda de forma excesiva. Siempre asegúrese de que las juntas de goma de la manguera estén instaladas y libres de goteos al recibir presión.

## Exterior

Limpie inmediatamente cualquier vertido. Limpie con un paño húmedo. Limpie los derrames o compuestos de limpieza con un paño húmedo. El panel de control y los acabados de la unidad pueden resultar dañados por productos utilizados como tratamiento previo al lavado y removedores de manchas. Aplique estos productos lejos de la unidad. La tela luego puede lavarse y secarse de manera normal. Los daños provocados a su unidad por estos productos no están cubiertos por la garantía. No aplique objetos afilados a la superficie.

## Interior

Seque alrededor de la abertura de la puerta, así como la junta obturadora elástica (incluidas las tuberías conectadas) y el cristal de la puerta. Estas zonas deben estar siempre limpias para garantizar un sellado hermético frente al agua.

Se recomienda enjuagar la unidad al menos una vez por mes con 1 taza de cloro (u otro producto disponible comercialmente fabricado para este fin, tal como el limpiador de lavadora Tide®) vertido directamente en la canasta sin ropa y usando el ciclo **Tub Clean** (Limpieza de tambor).

El interior del aparato debe ser limpiado una vez al año por un técnico calificado.

## Acero inoxidable

Para limpiar superficies de acero inoxidable, utilice un paño húmedo con un limpiador suave y no abrasivo adecuado para superficies de acero inoxidable. Quite los restos de limpiador y luego seque con un paño limpio.

El acero inoxidable utilizado para fabricar el tambor ofrece la mayor confiabilidad de una unidad GE Appliances. Si el tambor se raya o abolla durante un uso normal, éste no se oxidará o corroerá. Estas imperfecciones de la superficie no afectan la función o durabilidad del tambor.

## Junta de la puerta

Abra la puerta. Usando ambas manos, presione la junta de la puerta hacia abajo. Quite los objetos extraños que encuentre atrapados dentro de la junta. Asegúrese de que no haya ningún objeto bloqueando los orificios ubicados detrás de la junta.



Mientras presiona la junta de la puerta hacia abajo, inspeccione la junta interior jalándola hacia abajo con los dedos. Quite los objetos extraños que encuentre atrapados dentro de esta junta. Asegúrese de que no haya ningún objeto bloqueando los orificios ubicados detrás de la junta.

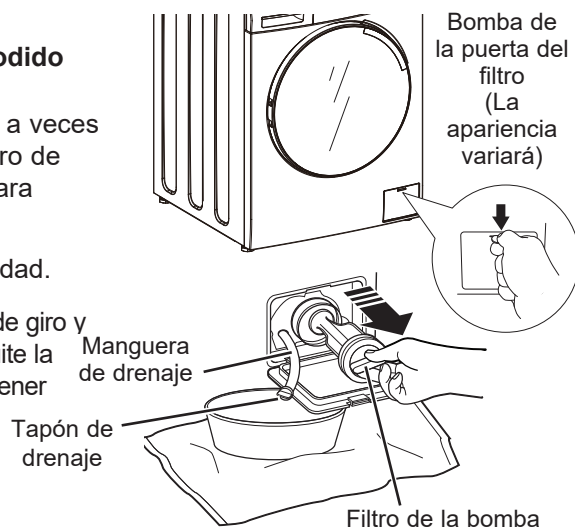
Cuando haya terminado de limpiar la junta de la puerta, quite las manos y las juntas volverán a la posición de funcionamiento.

## Filtro de la bomba

**Limpie CADA MES para eliminar los elementos que se hayan podido quedar en el filtro o en la carcasa.**

Debido a la naturaleza de la unidad de carga frontal, es posible que a veces pasen partículas pequeñas a la bomba. La unidad cuenta con un filtro de captura de elementos perdidos para que no caigan en el drenaje. Para recuperar los elementos perdidos, limpie el filtro de la bomba.

- 1 Abra la puerta en el extremo inferior derecho del frente de la unidad.
- 2 Gire la tapita blanca en sentido contrario a las agujas del reloj en 1/4 de giro y desenganche la manguera de goma. Tire la manguera del orificio y quite la tapa de la manguera de drenaje sobre un recipiente pequeño para retener el agua que salga. Drene el agua que sobre. Vuelva a colocar.
- 3 Desenrosque el filtro de la bomba. Enjuague cuando hay suciedad presente. Vuelva a colocar.
- 4 Cierre la puerta de acceso.



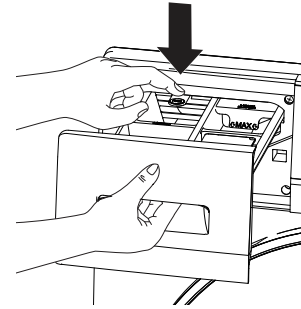


# Cuidado y limpieza

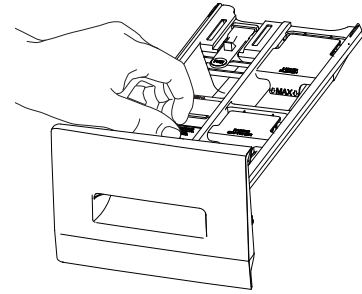
## Zona del depósito de detergente

El detergente y el suavizante pueden acumularse en el depósito de detergente. Los residuos deben eliminarse una o dos veces al mes.

- Saque el depósito tirando de él hasta que se detenga. Luego acerque la mano a la parte trasera de la cavidad del cajón y presione firmemente sobre la lengüeta de bloqueo, quitando el cajón.



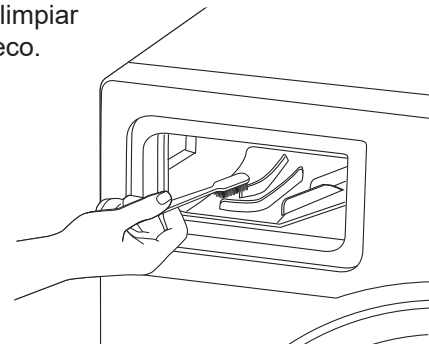
- Retire la inserción del cajón dispensador. Enjuague la inserción y el cajón con agua caliente a fin de eliminar restos de productos de lavandería acumulados.



- Para limpiar la abertura del depósito, utilice un cepillo pequeño a fin de limpiar el hueco. Retire todos los restos de las partes superior e inferior del hueco.

- Vuelva a colocar las piezas en los compartimentos correspondientes. Introduzca de nuevo el depósito de detergente.

- Para reducir la acumulación en la zona del depósito de detergente:



Use sólo detergente  
de alta eficiencia HE.



## Desplazamiento y almacenamiento

Pida al técnico de servicio que elimine el agua de las tuberías y la bomba de desagüe. No guarde la unidad en un lugar donde esté expuesta a las inclemencias climáticas. Al mover la unidad, la cuba debe mantenerse estable utilizando los pernos de transporte que se han extraído durante la instalación. Consulte las Instrucciones de instalación en este manual. Si estas piezas no están disponibles, se pueden solicitar a través del sitio Web [GEApplianceparts.com](http://GEApplianceparts.com) o llamando GE Appliances al 877.959.8688.

## Largas vacaciones

Asegúrese de cortar el agua de todas las llaves de paso. Vacíe todas las tuberías de agua si la temperatura va a encontrarse por debajo de punta de congelación.

# Instrucciones de instalación

## Combinación de Lavadora / Secadora

Si tiene alguna pregunta, llame GE Appliances a 800.GE.CARES (800.432.2737) o visite nuestro sitio Web en: [GEAppliances.com](http://GEAppliances.com)

### ANTES DE COMENZAR

Lea detenidamente todas las instrucciones.

- **IMPORTANTE** — Guarde estas instrucciones para uso del inspector local.
- **IMPORTANTE** — Cumpla todos los códigos y ordenanzas regulatorias.
- **Nota al instalador** — Asegúrese de dejar estas instrucciones al usuario.
- **Nota al usuario** — guarde estas instrucciones para consultas futuras.
- **Nivel de habilidad** — la instalación de este electrodoméstico requiere habilidades mecánicas y eléctricas básicas.
- **Duración** — de 1 a 3 horas
- La instalación adecuada es responsabilidad del instalador.
- La garantía no cubre fallas producidas por la instalación inadecuada del producto.

### HERRAMIENTAS NECESARIAS PARA LA INSTALACIÓN DE LA UNIDAD

Gafas de seguridad



Guantes



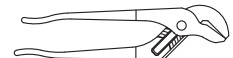
Nivel



Llave (provista)



Alicates ajustables Channel-lock

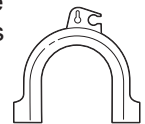


### PIEZAS INCLUIDAS

Suministro de agua (2)  
(Arandelas planas preinstaladas)



Guía de tuberías



Abrazadera de cable



### UBICACIÓN DE LA UNIDAD

#### NO instale la unidad:

1. En un área expuesta a goteras o a las condiciones del exterior. La temperatura ambiente no debe ser nunca inferior a 60°F (15,6°C) para que la unidad funcione correctamente.
2. En una zona en la que pueda entrar en contacto con cortinas u otras telas.
3. Sobre una alfombra. El suelo **DEBE** ser una superficie dura con una inclinación máxima de 1/2" por pie (1,27 cm por cada 30 cm). Para asegurarse de que la unidad no vibre ni se mueva, es posible que tenga que reforzar el suelo.

**NOTA:** Si el suelo se encuentra en mal estado, utilice una plancha con 3/4" de contrachapado bien fija al revestimiento existente en el suelo.

#### IMPORTANTE:

#### Distancias mínimas de separación para la instalación

- Cuando se instale en alcoba: costados/parte trasera = 0" y parte superior = 1" (2.54 cm)
- Cuando se instale en un armario: costados/parte trasera = 0" y parte superior/parte delantera = 1" (2,54 cm)
- Se deberá considerar que se debe brindar el despeje adecuado para la instalación y el servicio técnico.
- Las puertas del armario deben contar con rejillas u otro tipo de ventilación y tener por lo menos 60 pulgadas cuadradas (387,1 cm<sup>2</sup>) de espacio abierto. Si el armario incluye una unidad de lavado secundaria, las puertas deben contener un mínimo de 120 pulgadas cuadradas (774,2 cm<sup>2</sup>) de espacio abierto.

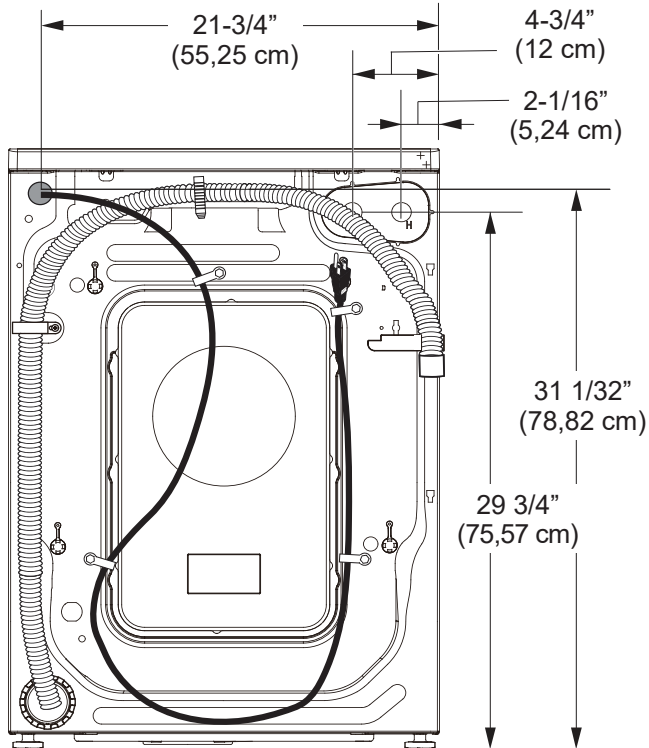
### INSTALACIÓN EN CASAS RODANTES

La instalación se deberá realizar conforme con la Ley de Estándar para Casas Rodantes (Standard for Mobile Homes), ANSI A119.1 y de Estándares Nacionales de Construcción y Seguridad de Casas Rodantes (National Mobile Home Construction and Safety Standards Act) de 1974 (PL93-383).

# Instrucciones de instalación

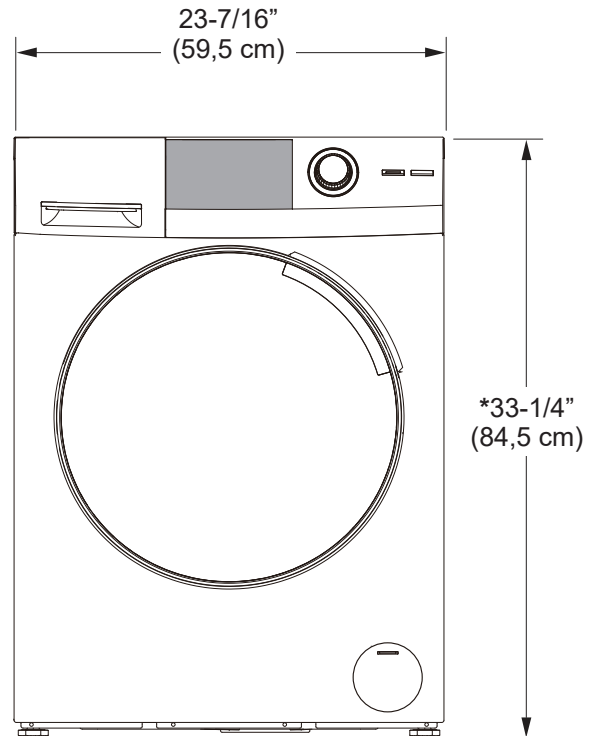
## DIMENSIONES DE CONEXIÓN

PARTE POSTERIOR

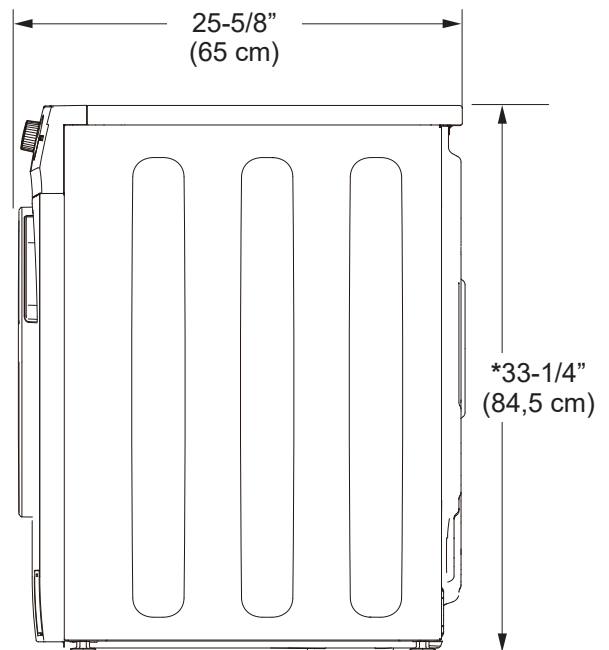


## DIMENSIONES APROXIMADAS

PARTE DELANTERA



COSTADO



### \*NOTA:

- Patas niveladoras de retraídas = 33-1/4" (84,5 cm)
- Patas niveladoras de desplegadas = 33-3/4" (85,5 cm)
- Apilada = 66-1/2" (169 cm)

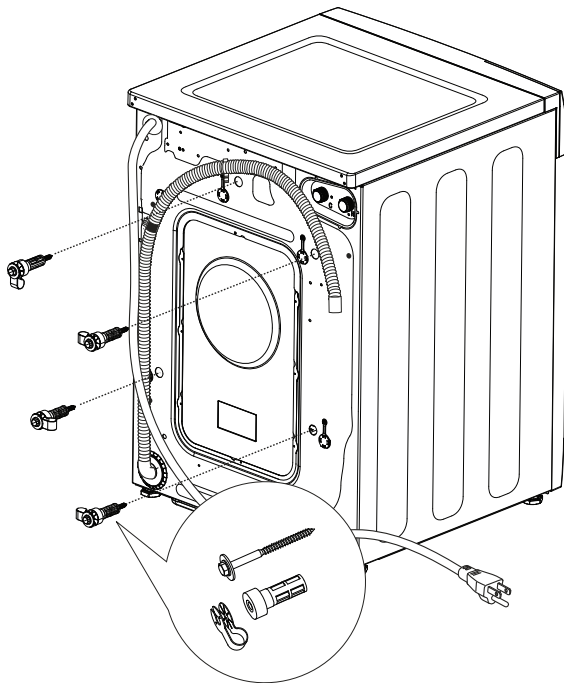
# Instrucciones de instalación

## DESEMBALAJE DE LA UNIDAD

**⚠ ADVERTENCIA** Recicle o deseche la caja de cartón y las bolsas de plástico una vez que haya desembalado la unidad. Mantenga estos materiales fuera del alcance de los niños, pues éstos podrían utilizarlos para jugar. Las cajas de cartón cubiertas con mantas, colchas o láminas de plástico pueden convertirse en cámaras de aire herméticas y producir asfixia.

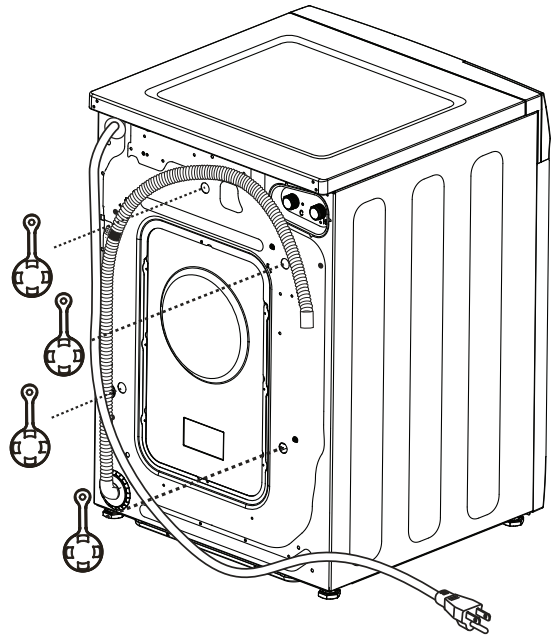
1. Corte y elimine todas las cintas de embalaje.
2. Mientras se encuentre dentro de la caja, coloque con cuidado la unidad sobre el costado de la misma. NO la tumbe por la parte delantera ni trasera.
3. Abra las tapas inferiores y retire todo el embalaje de la base, incluido la base de la cuba de espuma de poliestireno.
4. Vuelva a levantar la unidad con cuidado y retire la caja de cartón.
5. Desplace poco a poco la unidad hasta 4 pies (122 cm) de su ubicación definitiva.
6. Quite las siguientes piezas de la parte trasera de la unidad:
  - 4 pernos
  - 4 separadores de plástico (incluidas las arandelas de goma)

**NOTA:** NO retire el tornillo o pinza que sostiene la manguera.



## DESEMBALAJE DE LA UNIDAD (cont.)

7. Introduzca los tapones para orificios de pernos de embalaje en los orificios.



### NOTAS:

- Si se retiran incorrectamente los pernos de transporte, puede que la unidad se vea gravemente desequilibrada.
- **IMPORTANTE:** Guarde todos los pernos para uso futuro.

Si necesitara transportar la unidad posteriormente, debe volver a colocar las piezas de sujeción para el transporte con el fin de evitar daños durante el mismo. Guarde dichas piezas en la bolsa de plástico que se incluye.

**NOTA:** Tenga en cuenta las opciones de reciclaje del material de embalaje de su electrodoméstico.

# Instrucciones de instalación

## REQUISITOS ELÉCTRICOS

### ⚠️ ADVERTENCIA - Riesgo de Descarga Eléctrica

Enchufe a un tomacorriente de 3 clavijas con conexión a tierra.

**NO** retire la terminal de tierra.

**NO UTILICE** un cable de extensión.

**NO UTILICE** un enchufe adaptador con este artefacto.

Si no se siguen estas instrucciones, se podrá producir la muerte, incendio o descargas eléctricas.

**CIRCUITO** – individual, correctamente polarizado y conectado a un disyuntor de 15 o 20 amperes o a un fusible con retardo.

**SUMINISTRO DE CORRIENTE** – 2 cables y conexión a tierra, 120 voltios, fase simple, 60 Hz., corriente alterna.

**Receptáculo Externo** – Receptáculo de 3 clavijas correctamente conectado a tierra, ubicado de modo que el cable de corriente esté accesible cuando la unidad esté en una posición instalada. Si hay un



receptáculo de 2 clavijas, es responsabilidad del propietario solicitar a un electricista matriculado que reemplace el mismo por un receptáculo de 3 clavijas con conexión a tierra, que esté correctamente conectado a tierra.

La unidad deberá estar correctamente conectada a tierra de acuerdo con los códigos y ordenanzas locales, o en ausencia de códigos locales, con la última edición del Código Eléctrico Nacional, ANSI/NFPA NO. 70 o el Código Eléctrico Canadiense, CSA C22.1. En caso de no estar seguro de que la unidad esté correctamente conectada a tierra, consulte a un electricista matriculado.

## INSTRUCCIONES DE CONEXIÓN A TIERRA

Este electrodoméstico deberá estar conectado a tierra. En caso de avería o mal funcionamiento, la conexión a tierra reducirá el riesgo de descargas eléctricas al brindar un camino con una resistencia menor para la corriente eléctrica. Este electrodoméstico está equipado con un cable con un conductor para la conexión a tierra del equipo y un enchufe con conexión a tierra. El enchufe deberá estar conectado a un tomacorriente instalado en forma adecuada y con conexión a tierra de acuerdo con todos los códigos y ordenanzas locales.

⚠️ **ADVERTENCIA** Una conexión inapropiada del conductor de conexión a tierra del equipo puede provocar riesgos de descargas eléctricas. Consulte a un electricista calificado o personal o representantes del servicio técnico si tiene dudas de que el electrodoméstico se encuentre conectado a tierra apropiadamente. **NO** modifique el enchufe en el cable de suministro de corriente. Si no coincide con la toma de corriente, contrate a un electricista calificado para que instale una toma de corriente en forma adecuada.

## INSTRUCCIONES DE CONEXIÓN A TIERRA (cont.)

Si los códigos locales lo requieren, se podrá agregar un cable a tierra externo de cobre de calibre 18 o más grande (no provisto). Adhiera el gabinete de la unidad con un tornillo de chapa metálica N°10-16 x 1/2" (disponible en cualquier tienda de repuestos) a la parte trasera de la unidad.

### ⚠️ ADVERTENCIA - Riesgo de Descarga Eléctrica

Desconecte el suministro de corriente antes de realizar el servicio técnico.

Reemplace todas las piezas y paneles antes de utilizar.

Si no cumple con esto, se podrá producir la muerte o descarga eléctrica.

### ⚠️ ADVERTENCIA - Riesgo de Descarga Eléctrica

Ciertas piezas internas no tienen conexión a tierra en forma intencional y pueden presentar un riesgo de descarga eléctrica sólo durante la reparación.

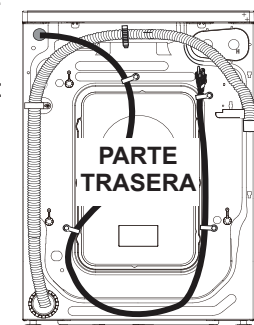
**Personal de reparación – NO** toque las siguientes piezas cuando el aparato esté recibiendo energía: válvula de agua, bomba de desagüe, NTC, motor, capacitor del ventilador, motor del ventilador, calefactor, cierre de la puerta, tablero del inversor y tablero MC.

## REQUISITOS DE SUMINISTRO DE AGUA

Las llaves de paso de agua caliente y fría DEBEN encontrarse a 42 pulgadas (107 cm) como máximo de la toma de agua de la unidad. Las llaves de paso DEBEN ser de 3/4" (1.9 cm) y tipo jardín para que se puedan conectar las tuberías de entrada. La presión del agua DEBE estar entre 10 y 120 libras por pulgada cuadrada. La compañía de agua puede informarle de la presión del agua. La temperatura del agua caliente se debe establecer para suministrar agua a una temperatura de entre 120° y 140°F (48°– 60°C) para brindar un desempeño adecuado del control automático de temperatura (ATC).

## REQUISITOS DE DESAGÜE

1. Desagüe capaz de eliminar 9.5 gal. (36 l) por minuto.
2. Diámetro mínimo de tubería vertical de 1 1/4" (3,18 cm).
3. La altura de la tubería vertical desde el suelo debe ser:  
Altura mínima: 36" (91.4 cm)  
Altura máxima: 58" (147 cm)



58"  
(147 cm)  
Max.

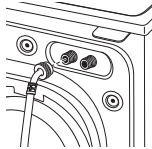
36"  
(91.4 cm)  
Min.

# Instrucciones de instalación

## INSTALACIÓN DE LA UNIDAD

1. Deje correr un poco de agua de los grifos de agua caliente y fría para purgar las tuberías de agua y eliminar las partículas que puedan obstruir los filtros de la válvula de agua.
2. Saque las tuberías de entrada de la bolsa de plástico. Quite las arandelas negras de goma de la bolsa y colóquelas dentro del accesorio de la manguera antes de conectar la unidad.

3. (Extremo acodado de 90°)  
Conecte con cuidado la tubería de entrada marcada con HOT (Caliente) a la salida "H" exterior de la válvula de agua. Apriete con la mano y, a continuación, apriete 2/3 de vuelta con los alicates. Conecte con cuidado la otra tubería de entrada a la salida "C" interior de la válvula de agua. Apriete con la mano y, a continuación, apriete 2/3 de vuelta con los alicates. **No pase las roscas ni apriete excesivamente estas conexiones.**



4. Conecte los extremos de la tubería de entrada a las tomas de agua CALIENTE y FRÍA ajustándolos con la mano y, a continuación, apriete de nuevo 2/3 de vuelta con los alicates. Abra la llave de paso y compruebe que no hay ninguna fuga.

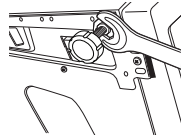


5. Desplace la unidad con cuidado hasta su ubicación final. Mueva suavemente la unidad para situarla en su lugar. Es importante no dañar las patas niveladoras de caucho al trasladar su unidad a su ubicación final. Si las patas se dañan podría aumentar la vibración de la unidad. Podría ser útil rociar el piso con limpiador para ventanas a fin de trasladar más fácilmente su unidad a su ubicación final. **NOTA: Para reducir la vibración, asegúrese de que cada una de las cuatro patas niveladoras estén en contacto con el piso. Empuje y tire de la parte posterior derecha y luego de la parte posterior izquierda de su unidad.**

**NOTA:** No utilice el depósito de detergente ni la puerta para levantar la unidad.

**NOTA:** Si se instala en un depósito de desagüe, puede utilizar una tabla 2x4 de 24 pulgadas de longitud para colocar la unidad en su lugar haciendo palanca.

6. Una vez situada la unidad en su posición final, coloque un nivel en la parte superior de la misma (si está instalada debajo de un contador, la unidad no debería vibrar). Ajuste las patas niveladoras delanteras hacia arriba o hacia abajo para asegurarse que la unidad se apoya en una superficie sólida y nivele de adelante hacia atrás y de izquierda a derecha. También puede ser necesario ajustar las patas traseras. Gire las contratueras de cada pata hacia la base de la unidad y apriételas con una llave.

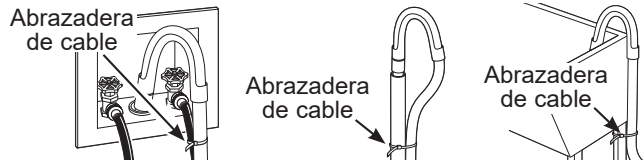


**NOTA: Mantenga la extensión de los soportes al mínimo para evitar una vibración excesiva. Cuanto más se extiendan las patas, más vibrará la unidad.**

Si el suelo no está nivelado o está dañado, puede que sea necesario extender las patas niveladoras traseras.

## INSTALACIÓN DE LA UNIDAD (cont.)

7. Coloque la guía de la tubería en forma de U en el extremo de la tubería de desagüe. Coloque la tubería en una pila de lavar o tubería vertical y sujétela con la abrazadera de cable que se proporciona en el paquete adjunto.



**NOTA:** Si la tubería de desagüe se coloca en una tubería vertical que no tiene forma de U, se puede producir un efecto sifón. Debe haber un espacio de aire alrededor de la tubería de desagüe. Una tubería demasiado ajustada también puede producir un efecto de sifón.

**NOTA:** No coloque la manguera de drenaje en una profundidad superior a 7" en el drenaje. Se sugiere entre 4" y 7". Más profundidad que 7" podrá producir una acción de sifonaje.

8. Enchufe el cable de alimentación en una salida de conexión a tierra.  
**NOTA:** Asegúrese de que la alimentación está cortada en un interruptor/caja de fusibles antes de enchufar el cable de alimentación a una toma de corriente.
9. Conecte la alimentación a un interruptor/caja de fusibles.
10. Lea el resto del Manual del propietario. Contiene información valiosa y útil que supondrá un ahorro de tiempo y dinero.

11. **Antes de poner en funcionamiento la unidad, asegúrese de comprobar lo siguiente:**
  - La alimentación está conectada.
  - La unidad está enchufada.
  - Las llaves de paso están abiertas.
  - La unidad está nivelada y que cada una de las cuatro patas niveladoras estén en contacto con el piso.
  - Las piezas de sujeción para el transporte se han quitado y guardado.
  - La tubería de desagüe se ha asegurado correctamente.
  - No existe ninguna fuga en la llave de paso, la tubería de desagüe ni la unidad.
12. Ponga en funcionamiento la unidad en un ciclo completo. Compruebe que no haya fugas de agua y que funcione correctamente.
13. Si la unidad no funciona, revise la sección **Consejos para la solución de problemas** antes de ponerse en contacto con el servicio de asistencia técnica.
14. Coloque las instrucciones en un lugar próximo a la unidad para futuras consultas.

## PIEZAS DE REPUESTO

Si se necesitan piezas de repuesto para la unidad, se pueden solicitar en Estados Unidos a través del sitio Web [GEApplianceparts.com](http://GEApplianceparts.com) o llamando GE Appliances a 877.959.8688.

# Consejos para la solución de problemas

Problema	Causas posibles	Solución
No hay drenaje No hay rotación No hay giro	La carga está desequilibrada	Redistribuya las prendas y accione el <b>Rinse+Spin</b> (Enjuague+Centrifugado). Aumente el tamaño de la carga si lava una carga pequeña que contiene elementos pesados y livianos.
	El filtro de la bomba podría estar obstruido	Ver la <b>Cuidado y limpieza</b> sobre cómo limpiar el <b>Filtro de la bomba</b> .
	La manguera de drenaje está torcida o mal conectada	Enderece la manguera de drenaje y verifique que la unidad no la esté aplastando.
	El drenaje de la vivienda puede estar obstruido	Controle la cañería de la vivienda. Quizás deba llamar a un plomero
	La manguera de drenaje hace efecto sifón; la manguera de drenaje se ha empujado muy profundamente dentro del drenaje	Verifique que haya un espacio de aire entre la manguera y el drenaje
Fugas de agua	La junta de la puerta está desbalanceada	Revise que la junta esté colocada en su sitio y que no se haya roto. Los objetos dejados en los bolsillos podrían causar daños a la unidad (clavos, tornillos, lápices, bolígrafos). El agua podría gotear de la puerta cuando la misma está abierta. Esto forma parte del funcionamiento normal. Con cuidado limpie el sellado de goma de la puerta. A veces quedan suciedades o prendas en este sellado y pueden provocarse pequeñas pérdidas.
	Revise la parte posterior izquierda de la unidad para verificar si hay presencia de agua	Si esta área se encuentra mojada, existe una condición haya roto. Los objetos dejados en los bolsillos podrían detergente
	Las tuberías de toma de agua la tubería de desagüe no se han conectado correctamente	Asegúrese de que se han apretado correctamente las conexiones de las tuberías de la unidad y las llaves de paso y que el extremo de la tubería de desagüe se ha introducido y fijado correctamente al desagüe.
	Puede que la tubería de desagüe de la vivienda esté obstruida	Compruebe las tuberías de la vivienda. Puede que sea necesario llamar a un plomero.
	Depósito tapado	El jabón en polvo puede provocar atascos dentro del depósito y hacer que salga agua desde el frente del depósito. Quite el cajón y límpielo, al igual que la parte interna de la caja del depósito. Consulte la sección de <b>Cuidado y limpieza</b> .
	Uso incorrecto del detergente	Use sólo detergente HE en la cantidad correcta.
Las prendas están muy mojadas	La carga está desequilibrada	Redistribuya las prendas y accione el <b>Rinse+Spin</b> (Enjuague+centrifugado). Aumente el tamaño de la carga si lava una carga pequeña que contiene elementos pesados y livianos.
	El filtro de la bomba podría estar obstruido	Ver la <b>Cuidado y limpieza</b> sobre cómo limpiar el <b>Filtro de la bomba</b> .
	Carga excesiva	Cargue la unidad de manera que haya suficiente espacio para que las prendas se muevan libremente.
	La manguera de drenaje está torcida o mal conectada	Enderece la manguera de drenaje y verifique que la unidad no la esté aplastando
	El drenaje de la vivienda puede estar obstruido	Enderece la manguera de drenaje y verifique que la unidad no la esté aplastando
	El drenaje de la vivienda puede estar obstruido	Controle la cañería de la vivienda. Quizás deba llamar a un plomero.
	La manguera de drenaje hace efecto sifón; la manguera de drenaje se ha empujado muy profundamente dentro del drenaje.	Verifique que haya un espacio de aire entre la manguera y el drenaje.

## Consejos para la solución de problemas

Problema	Causas posibles	Solución
Ciclo incompleto o el temporizador no avanza	Redistribución de carga automática	El temporizador se detiene a 1 minuto, la máquina ha distribuido la carga una o dos veces. Esto es una operación normal. No haga nada; la máquina finalizará el ciclo de lavado.
	El filtro de la bomba podría estar obstruido	Ver la <b>Cuidado y limpieza</b> sobre cómo limpiar el <b>Filtro de la bomba</b> .
	La manguera de drenaje está torcida o mal conectada	Enderece la manguera de drenaje y verifique que la unidad no la esté aplastando.
	El drenaje de la vivienda puede estar obstruido	Controle la cañería de la vivienda. Quizás deba llamar a un plomero.
	La manguera de drenaje hace efecto sifón; la manguera de drenaje se ha empujado muy profundamente dentro del drenaje	Verifique que haya un espacio de aire entre la manguera y el drenaje.
Ruido fuerte o inusual; vibración o movimiento	Se mueve el gabinete	La unidad está diseñada para moverse 1/4" para reducir las fuerzas transmitidas al piso. Este movimiento es normal.
	Las patas de nivelación de goma no tocan el piso firmemente	Presione y tire en la parte trasera derecha y luego en la parte trasera izquierda de su unidad para verificar que esté nivelada. Si la unidad está desequilibrada, ajuste las patas de nivelación de goma para que estén firmemente en contacto con el piso y trabadas en su lugar.
	Carga desequilibrada	Pausar la unidad, abra la puerta y redistribuya la carga manualmente. Para controlar la máquina, accione el enjuague y centrifugado sin carga. Si es normal, el desequilibrio fue provocado por la carga.
	El filtro de la bomba podría estar obstruido	Ver la <b>Cuidado y limpieza</b> sobre cómo limpiar el <b>Filtro de la bomba</b> .
No hay suministro eléctrico/la unidad no está en funcionamiento	La unidad está desconectada	Asegúrese de que el cable esté enchufado de manera segura en un enchufe funcional.
	Esto es normal. El panel de control "no responde".	Presione el botón <b>Power</b> (Encendido) para "activar" la pantalla.
	La unidad fue pausada de forma accidental al comenzar el ciclo Delay Dry (Secado con Retraso).	Si la luz del botón <b>Start/Pause</b> (Iniciar/ Pausar) está parpadeando, la unidad se encuentra pausada. Presione el botón <b>Start/Pause</b> (Iniciar/ Pausar) para reiniciar la cuenta regresiva.
	El suministro de agua está cerrado	Abra por completo las llaves de paso de agua fría y caliente.
	El interruptor/fusible se ha quemado/saltado	Compruebe los interruptores/fusibles de la vivienda. Cambie los fusibles o restablezca el interruptor La unidad debe tener una toma individual.
	Revisiones automáticas del sistema	La primera vez que se enchufa la unidad, se efectúan las verificaciones automáticas. Podrían pasar hasta 20 segundos antes de que pueda utilizar su unidad. Esto forma parte del funcionamiento normal.
Enganchones, agujeros, Ver rotos, rasgaduras o deterioro excesivo	Lápices, bolígrafos, clavos, tornillos u otros objetos dejados en los bolsillos	Retire todos los elementos sueltos de los bolsillos.
	Alfileres, broches, corchetes, botones en punta, hebillas de cinturones, cremalleras y objetos puntiagudos olvidados en los bolsillos	• Abroche los corchetes, broches, botones y cremalleras.
Error o cambios en el control de tiempo	Esto es normal	Durante el giro, es posible que en ocasiones se necesite volver a equilibrar la carga de la unidad a fin de reducir vibraciones. Cuando esto sucede, se produce como consecuencia una prolongación en el tiempo estimado de lavado.
Cantidad de agua insuficiente	Esto es normal	Las unidades horizontales no requieren que el tubo se llene de agua, como sí ocurre con las unidades con carga superior.
La unidad se detiene o se debe reiniciar o la puerta de la unidad está bloqueada y no se abre	El filtro de la bomba podría estar obstruido	Ver la <b>Cuidado y limpieza</b> sobre cómo limpiar el <b>Filtro de la bomba</b> .



# Consejos para la solución de problemas

Problema	Causas posibles	Solución
La puerta no se destraba o presiona Start (inicio) y la máquina no funciona	Esto es normal	Las unidades con tapa frontal comienzan su funcionamiento de manera diferente que las unidades con carga superior, y toma varios segundos realizar un control del sistema. La puerta se bloqueará y desbloqueará.
	Funcionamiento incorrecto	Simplemente abra y cierre la puerta firmemente y luego presione <b>Start</b> (Iniciar).
El agua no ingresa a la unidad o ingresa muy lentamente	Auto-controles automáticos del sistema	Después de presionar <b>Start</b> (Iniciar), la unidad realiza varios controles del sistema. El agua comenzará a correr varios segundos después de presionar <b>Start</b> (Iniciar).
	Los filtros de válvula de agua quedaron trabados	Cierre el suministro de agua y quite las mangueras de conexión de agua de la parte superior trasera de la unidad. Utilice un cepillo o escarbadientes para limpiar los filtros de la máquina. Vuelva a conectar las mangueras y abra el suministro de agua.
	Arandelas del filtro de entrada de agua están obstruidos	Cierre la llave de paso y quite las tuberías de conexión de agua de la parte trasera superior de la unidad. Utilice un cepillo o un palillo de dientes para limpiar los filtros de la unidad. Vuelva a conectar las tuberías y abra la llave de paso.
	El filtro de la bomba podría estar obstruido	Ver la <b>Cuidado y limpieza</b> sobre cómo limpiar el <b>Filtro de la bomba</b> .
	Las mangueras de llenado puede estar torcida	Verifique que las mangueras de llenado no se encuentren torcidas o tapadas.
	El suministro de agua está cerrado	Abra por completo los grifos de agua caliente y fría.
	Eficiencia de energía	Esta es una unidad con buen rendimiento de energía. Como resultado, las configuraciones de temperatura para esta unidad pueden ser diferentes a las de una unidad común sin esta característica.
	Suministro de agua insuficiente	Asegúrese de que el suministro de agua esté accionado. Verifique que los grifos de agua estén abiertos por completo.
	La puerta de la unidad está abierta	La puerta de la unidad debe estar cerrada durante todas las operaciones de ciclo de lavado. Si se abre la puerta durante una operación de lavado, todas las funciones se detendrán, incluyendo el ingreso de agua.
	Conexión incorrecta de la manguera de llenado	Asegúrese de que las mangueras de llenado conecten el suministro de agua caliente a la entrada de agua caliente de la unidad y el suministro de agua fría a la entrada de agua fría (caliente a caliente, fría a fría).
Formación de arrugas	Clasificación inadecuada	No mezcle elementos pesados (como prendas de trabajo) con prendas livianas (como blusas).
	Carga excesiva	Cargue la unidad de manera que haya suficiente espacio para que las prendas se muevan libremente. Para obtener mejores resultados durante el secado, cargue la unidad hasta 2/3 de su capacidad.
	Ciclo de lavado incorrecto	Coincida la selección del ciclo con el tipo de tela que está lavando (especialmente para cargas de cuidado fácil).
	Lavados repetidos en agua demasiado caliente	Lave con agua tibia o fría.
Prendas grises o amarillentas	No se colocó suficiente detergente	Use la cantidad correcta de detergente.
	No se usó detergente HE (alta eficiencia)	Use sólo detergente HE.
	Agua dura	Utilice agua caliente segura para las telas.
		Utilice un acondicionador de agua como Calgon o instale un suavizante de agua.
	El agua no está lo suficientemente caliente	Verifique que el calentador de agua esté suministrando agua a 120°–140°F (48°–60°C).
	El detergente no se disuelve	Pruebe con un detergente HE líquido.
Transferencia de colores	Divida las prendas por color. Si la etiqueta de la tela dice "lavar por separado", puede indicarse colores inestables.	

## Consejos para la solución de problemas

Problema	Causas posibles	Solución
Manchas de color	Uso incorrecto del suavizante de telas	Consulte el paquete del suavizante de telas sobre las instrucciones y siga las indicaciones de uso del depósito.
	Transferencia de colores	<p>Separe los blancos o los colores claros de los colores oscuros.</p> <p>Quite rápidamente la carga de la unidad.</p>
La temperatura del agua es incorrecta	El suministro de agua está mal conectado	Verifique que las mangueras estén conectadas a los grifos correctos
	El calentador de agua de la vivienda no está bien configurado	Verifique que el calentador de agua de la vivienda esté suministrando agua a 120°–140°F (48°–60°C).
Pequeña variación del color metálico	Esto es normal	Debido a las propiedades metálicas de la pintura utilizada con este producto único, pueden ocurrir pequeñas variaciones de color debido ángulos de visualización y condiciones de iluminación.
Mal olor dentro de la unidad	La unidad no se usó durante un período prolongado, no se utiliza una calidad recomendada de detergentes HE (alta eficiencia) o se está usando demasiado detergente	Haga funcionar un ciclo <b>Tube Clean</b> (Limpieza de tambor).
		En caso de un fuerte olor, puede necesitarse el funcionamiento del ciclo <b>Tube Clean</b> (Limpieza de tambor) más de una vez.
		Use sólo la cantidad de detergente recomendada en el recipiente del detergente.
		Use sólo detergente HE (alta eficiencia).
		Siempre retire los artículos mojados de la unidad inmediatamente después de que la máquina deje de funcionar.
Deje la puerta un poco abierta para que el agua se seque. Se requiere una supervisión estricta cuando este aparato es utilizado por niños o en su cercanía. NO permita que los niños jueguen sobre o dentro de este electrodoméstico.		
Pérdida de detergente	Ubicación incorrecta de la pieza del detergente	Asegúrese de que la pieza del detergente esté bien ubicado y colocado. Nunca coloque detergente sobre la línea máxima de llenado.
	Esto es normal	Es normal ver una pérdida de detergente sobre la junta de la puerta alrededor de 20 segundos después de llenar el depósito.
Dosificación inadecuada de suavizante	Depósito tapado	Monthly clean the dispenser drawer to remove buildup of chemicals.
	Se colocó suavizante por encima de la línea máxima de llenado.	Asegúrese de contar con la cantidad correcta de suavizante.
	Problemas con el suavizante	Verifique de que la tapa del suavizante del bien colocado en el depósito o no funcionarán.
El cajón dispensador no dispensa de forma adecuada	El paquete de detergente para ropa sucia se colocó en el cajón dispensador	Los paquetes de detergente de ropa sucia no deberían ser usados en el dispensador. Sólo se deberían agregar directamente a la canasta de la unidad, siguiendo las instrucciones del fabricante.
La bomba funciona mientras la unidad no se encuentra en uso	Atascada en el drenaje del sumidero	Esto es normal. El drenaje del sumidero está detectando un nivel de llenado de agua no deseado desde un grifo posiblemente abierto. Cierre la válvula de agua e inspeccione que no haya bloqueos en la misma.

# Consejos para la solución de problemas

Problema	Causas posibles	Solución
Las prendas tardan mucho en secarse	Clasificación inadecuada	Separe prendas pesadas de livianas (generalmente, una carga bien clasificada para la lavadora es una carga bien clasificada para la secadora).
	Cargas grandes de telas pesadas (como toallas de playa)	Las telas grandes y pesadas contienen más humedad y tardan más tiempo en secarse. Separe las telas grandes y pesadas en cargas más pequeñas a fin de acelerar el tiempo de secado.
	Unidad sin ventilación	Las secadoras de condensación normalmente tardan más en secar que las secadoras con ventilación.
	Los controles están mal configurados	Ajuste las configuraciones de control a la carga que esté secando.
	Fusible quemado o disyuntor accionado	Cambie los fusibles o reconfigure los disyuntores. Ya que la mayoría de las unidades utilizan 2 fusibles/disyuntores, asegúrese de que ambos estén funcionando.
	Carga excesiva/cargas combinadas	No coloque más de una carga en la unidad por vez.
	Poca carga	Si va secar sólo una o dos prendas, agregue algunas más para asegurar un secado correcto.
Se ha seleccionado el nivel de secado Dry (Seco) pero la carga aún se encuentra húmeda	La carga consiste de una combinación de telas pesadas y livianas	Cuando combine telas pesadas con livianas en una carga, escoja <b>Auto Extra Dry</b> (Secado Extra Automático).
Las teclas de control	Los controles se accionaron accidentalmente en el modo de servicio	Presione <b>Start/Pause</b> (Inicio/Pausa).
	Los controles se accionaron operation accidentalmente en el modo de de bloqueo	Mantenga presionados los botones <b>Soil</b> y <b>Temp</b> durante 3 segundos para desbloquear la unidad.
	Los controles efectuaron una operación incorrecta	Reconfigure el disyuntor.
No aparecen números en la pantalla durante el ciclo, sólo luces	La unidad monitorea constantemente la cantidad de humedad en la ropa	Esto es normal. Cuando la unidad detecta un nivel bajo de humedad en la carga, la unidad mostrará el tiempo restante de secado.
El tiempo restante ha saltado a un número inferior	El tiempo estimado podría cambiar si seca una carga menor a la normal	Esto es normal.
No puede realizar una selección y la unidad activa la alarma sonora dos veces	El Level (nivel de secado), Temp (temperatura) o la opción que intenta seleccionar es incompatible con el ciclo de secado que ha escogido.	Esto es normal.
La unidad se encuentra funcionando, pero el tiempo restante muestra 00	Se ha escogido la opción Ext Tumble (Prolongar secado)	Esto es normal. Durante el secado prolongado, no se muestra el tiempo restante. La opción de secado prolongado tarda 60 minutos aproximadamente.

## Consejos para la solución de problemas

Problema	Causas posibles	Solución
La unidad no calienta	Fusible quemado/disyuntor desconectado; es posible que la unidad gire sin calentar	Revise la caja de fusibles/disyuntores y reemplace ambos fusibles y reconecte ambos disyuntores. Es posible que la unidad gire si únicamente un fusible se ha quemado o un solo disyuntor ha saltado.
Plazos de secado inconsistentes	Tipo de carga y condiciones de secado	El tamaño de la carga, el tipo de tela, cuán mojada que esté la ropa y/o la ventilación de entrada de aire ubicada en el frente de la unidad afectarán los tiempos del secado.
	Se acumuló una cantidad excesiva de escombros en el admirador, impidiendo un flujo de aire adecuado.	Consulte la <b>Cuidado y limpieza</b> .
Las prendas aún se encuentran húmedas y la unidad se apaga después de un tiempo corto	Se abrió la puerta a la mitad del ciclo. Luego se procedió a retirar la carga de la unidad y se colocó una carga nueva sin seleccionar un ciclo nuevo	Se debe volver a seleccionar un ciclo de secado cada vez que se coloca una carga nueva.
	La carga ya se encontraba seca a excepción de los cuellos y pretinas	Escoja <b>Timed Dry</b> (Secado cronometrado) para secar los cuellos y pretinas que estén húmedos. En el futuro, al secar una carga que contenga cuellos y pretinas, escoja <b>Auto Extra Dry</b> (Secado Extra Automático).
	La unidad no está nivelada	Mueva la unidad a un área con piso nivelado o ajuste las patas niveladoras como sea necesario hasta que se encuentre nivelada.
Las prendas están arrugadas	Las prendas permanecen en la unidad después que ha terminado el ciclo	Retire las prendas cuando finaliza el ciclo y doble o cuélguelas inmediatamente, o utilice la opción <b>Ext Tumble</b> (Secado prolongado).
	Sobrecarga	Separe las cargas más grandes en más pequeñas.
Las prendas se encogen	Algunas telas se encogen de manera natural cuando se lavan. Otras pueden lavarse sin problemas, pero se encogerán en la unidad	Para evitar encoger las prendas, siga las instrucciones de las etiquetas exactamente. Algunas prendas pueden plancharse nuevamente a su forma original después de secarlas. Si tiene dudas sobre si una prenda en particular encogerá, no la lave a máquina ni la seque con giro.
Manchas de grasa en la ropa	Uso inapropiado de suavizador de telas	Siga las direcciones en el envase del suavizador de telas.
	Secado de artículos sucios con limpios	Utilice su unidad para secar únicamente artículos limpios. Los artículos sucios pueden manchar los artículos limpios y la unidad.
	Las prendas no están completamente limpias	Algunas manchas que no se pueden ver cuando las prendas están mojadas aparecen después del secado. Utilice procedimientos apropiados de lavado antes del secado.
Pelusa en las prendas	Clasificación incorrecta	Clasifique las prendas que producen pelusa (como felpilla) de las prendas que juntan pelusa (como la pana).
	La electricidad estática puede atraer pelusa	Consulte las sugerencias en esta sección bajo <b>Ocurre estática</b>
	Sobrecarga	Separe las cargas más grandes en menor tamaño.
	Papel, servilletas, etc., quedan dentro de los bolsillos de la ropa	Vacíe todos los bolsillos antes de lavar la ropa.
Ocurre estática	No se utilizó ningún tipo de suavizador de telas	Intente utilizar un suavizador de telas.
	Artículos sintéticos, planchado permanente y combinaciones pueden causar estática	Intente utilizar un suavizador de telas.

# Consejos para la solución de problemas

Problema	Causas posibles	Solución
Los cuellos y pretinas aún se encuentran húmedos al final del ciclo	El monitor de sequedad detecta que el cuerpo de las prendas está seco	Escoja <b>Timed Dry</b> (Secado cronometrado) para secar los cuellos y pretinas que estén húmedos. En el futuro, al secar una carga que contenga cuellos y pretinas, escoja <b>Auto Extra Dry</b> (Secado Extra Automático).
La unidad sigue girando después de que la pantalla indica Complete (finalización)	Se seleccionó Ext Tumble el secado prolongado.	Asegúrese de que Ext Tumble la opción de secado prolongado no esté seleccionada.

## Indicador de Ayuda al Consumidor

CHI es la forma de comunicar un recurso simple para algunas situaciones que el consumidor puede realizar sin necesidad de llamar al servicio técnico. El siguiente gráfico describe los mensajes útiles que el consumidor puede notar desplazándose por la pantalla cuando regresa para iniciar otra carga. Estos mensajes proporcionarán soluciones sencillas que el consumidor puede realizar rápidamente.

El icono de "Spin" centrifugado parpadea	Si la lavadora detecta una condición de desequilibrio, el icono de centrifugado parpadeará durante la parte restante del ciclo y permanecerá iluminado durante un breve periodo de tiempo después de que se detenga el ciclo. Cuando esto ocurre, la lavadora toma medidas para corregir el estado de desequilibrio y completar el ciclo normalmente. En algunos casos, es posible que la lavadora no pueda equilibrar la carga y girar hasta la velocidad máxima.
"CLrFLtr"	Se ha detectado un drenaje lento durante los ciclos de centrifugado y drenaje de la lavadora. Apague la unidad y cierre el suministro de agua. Desconecte la manguera de drenaje del filtro de la bomba de desagüe y limpie el filtro de la bomba de desagüe de la unidad. Vuelva a conectar después de la limpieza.
"H2O supply" (Suministro de H2O) (el agua no entra en la lavadora)	Compruebe el suministro de agua de la casa. ¿Olvidó encender una o ambas válvulas de suministro después de la instalación o de regresar de vacaciones? Tan pronto como el mensaje comience a desplazarse, la lavadora iniciará un período de bloqueo de 4 minutos. Los controles de la lavadora no responderán/cambiarán durante este tiempo. Después de 4 minutos, puede volver a iniciar el ciclo. Si intenta omitir el período de bloqueo desenchufando la lavadora, el temporizador de 4 minutos volverá a empezar.
"Door" (Puerta)	Se mostrará "Door" (Puerta) en la pantalla si se han iniciado 3 ciclos sin abrir la puerta. La lavadora no iniciará otro ciclo hasta que se abra la puerta.
"CAnCELEd"	"CAnCELEd" puede desplazarse en la pantalla si la máquina ha estado en pausa durante más de 24 horas, si ha dejado agua en la máquina durante 15 minutos con la puerta abierta o si la máquina se ha detenido antes de que se completara el ciclo debido a ciertos fallos. Tan pronto como el mensaje comience a desplazarse, la unidad entrará en el período de bloqueo. Los controles de la unidad no responderán/cambiarán durante este tiempo. La máquina puede omitir el período de bloqueo al pulsar el botón de encendido o desenchufando la unidad.



# Garantía limitada la lavadora / secadora GE Appliances

**GARANTÍA LIMITADA**

## GEAppliances.com

Todo el servicio de garantía es provisto por nuestros Centros de Servicio de Fabricación, o un técnico autorizado de Servicio al Cliente (Customer Care®). Para programar una visita del servicio técnico, visítenos a través de Internet en [GEAppliances.com/service](http://GEAppliances.com/service), o llame GE Appliances al 800.GE.CARES (800.432.2737). Cuando llame para solicitar el servicio, tenga los números de serie y modelo disponibles.

Para realizar el servicio técnico de su electrodoméstico se podrá requerir el uso de datos del puerto de abordaje para su diagnóstico. Esto da al técnico del Servicio de Fábrica de GE Appliances la habilidad de diagnosticar de forma rápida cualquier problema con su electrodoméstico, y de ayudar a GE Appliances a mejorar sus productos al brindarle a GE Appliances la información sobre su electrodoméstico. Si no desea que los datos de su electrodoméstico sean enviados a GE Appliances, solicitamos que le indique a su técnico NO entregar los datos a GE Appliances en el momento del servicio.

Por el Período de:	Se sustituirá:
<b>Un Año</b> Desde la fecha de compra original	<b>Cualquier pieza</b> de la lavadora / secadora que falle debido a un defecto de los materiales o la mano de obra. Durante esta <b>garantía limitada de un año</b> , también ofrecemos, <b>en forma gratuita</b> , toda la mano de obra y los costos de servicio para reemplazar la pieza defectuosa.

## Qué No Cubrirá GE Appliances:

- Viajes del personal de servicio a su casa para enseñarle cómo usar su producto.
- Instalación, entrega o mantenimiento inapropiada.
- Fallas del producto si es maltratado, mal usado, o usado para un propósito diferente del que se creó o si es usado para usos comerciales.
- Cambio de los fusibles de su casa o reajuste del circuito de interruptores.
- Productos sin defectos o rotos, o los cuales se encuentran funcionando como se indica en el Manual del propietario.
- Daños al producto causados por accidentes, incendios, inundaciones o actos de la naturaleza.
- Daños imprevistos resultantes causados por posibles defectos con este electrodoméstico.
- Defectos o daños debido a la puesta en funcionamiento a temperaturas de congelación.
- Daños causados después del envío.
- Producto no accesible para facilitar el servicio requerido.
- Limpieza del condensador para restaurar el rendimiento del secado del producto.

## EXCLUSIÓN DE GARANTÍAS IMPLÍCITAS

Su única y exclusiva alternativa es la reparación del producto, como se indica en la Garantía Limitada. Las garantías implícitas, incluyendo garantías implícitas de comerciabilidad o conveniencia sobre un propósito particular, se limitan a un año o al período más corto permitido por la ley.

Esta garantía limitada se extiende al comprador original y a cualquier propietario subsecuente para productos comprados para uso doméstico dentro Estados Unidos. Si el producto está situado en un área que no dispone de servicio por parte de un proveedor de servicio autorizado de GE Appliances, podría tener que hacerse cargo de los costes de envío o bien podría solicitársele que lleve el producto a un centro de servicio de GE Appliances autorizado para realizar la reparación. En Alaska, la garantía limitada excluye el costo de envío o las visitas de servicio a su casa.

Algunos estados no permiten la exclusión o limitación de daños imprevistos. Esta garantía limitada le da sus derechos legales específicos, y es posible que usted tenga otros derechos legales que varían de estado a estado. Para informarse de cuáles son sus derechos legales, consulte a su oficina de asuntos del consumidor local o estatal o póngase en contacto con la Oficina de su Procurador General.

**Garante: GE Appliances, a Haier company**  
**Louisville, KY 40225**

**Garantías Extendidas:** Adquiera una garantía extendida de GE Appliances y conozca los descuentos especiales que están disponibles mientras su garantía aún está vigente. Puede acceder a la misma a través de Internet en cualquier momento en

[geappliances.com/extended-warranty](http://geappliances.com/extended-warranty)

o llamando al 800.626.2224 durante el horario comercial. Los Servicios para los GE Appliances aún estarán disponibles cuando su garantía caduque.

Aproche su recibo aquí. Para acceder al servicio técnico de acuerdo con la garantía deberá contar con la prueba de la fecha original de compra.

# Soporte para el Consumidor

---

## Sitio Web de GE Appliances

¿Desea realizar una consulta o necesita ayuda con su electrodoméstico? ¡Intente a través del Sitio Web de GE Appliances las 24 horas del día, cualquier día del año! Usted también puede comprar más electrodomésticos maravillosos de GE Appliances y aprovechar todos nuestros servicios de soporte a través de Internet, diseñados para su conveniencia. [GEAppliances.com](http://GEAppliances.com)

---

## Registre su Electrodoméstico

¡Registre su electrodoméstico nuevo a través de Internet, según su conveniencia! Un registro puntual de su producto permitirá una mejor comunicación y un servicio más puntual de acuerdo con los términos de su garantía, en caso de surgir la necesidad. También puede enviar una carta en la tarjeta de inscripción preimpresa que se incluye con el material embalado. [GEAppliances.com/register](http://GEAppliances.com/register)

---

## Servicio Programado

El servicio de reparación de expertos de GE Appliances está a sólo un paso de su puerta. Conéctese a través de Internet y programe su servicio a su conveniencia cualquier día del año.

[GEAppliances.com/service](http://GEAppliances.com/service)

o comuníquese al 800.432.2737 durante el horario de atención comercial.

---

## Garantías Extendidas

Adquiera una garantía extendida de GE Appliances y conozca los descuentos especiales que están disponibles mientras su garantía aún está vigente. La puede adquirir en cualquier momento a través de Internet. Los servicios de GE Appliances aún estarán allí cuando su garantía caduque.

[GEAppliances.com/extended-warranty](http://GEAppliances.com/extended-warranty)

o comuníquese al 800.626.2224 durante el horario de atención comercial.

---

## Conectividad Remota

Para solicitar asistencia para la conectividad de red inalámbrica (para modelos con acceso remoto), visite nuestro sitio web en [GEAppliances.com/connect](http://GEAppliances.com/connect) o comuníquese al 800.220.6899.

---

## Piezas y Accesorios

Aquellos individuos calificados para realizar el servicio técnico de sus propios electrodomésticos podrán solicitar el envío de piezas o accesorios directamente a sus hogares (se aceptan las tarjetas VISA, MasterCard y Discover). Ordene hoy a través de Internet durante las 24 horas, todos los días. [GEApplianceparts.com](http://GEApplianceparts.com) o de forma telefónica al 877.959.8688 durante el horario de atención comercial.

**Las instrucciones que figuran en este manual cubren los procedimientos que serán realizados por cualquier usuario. Otros servicios técnicos generalmente deben ser derivados a personal calificado del servicio. Se deberá tener cuidado, ya que una reparación indebida podrá hacer que el funcionamiento no sea seguro.**

---

## Contáctenos

Si no se encuentra satisfecho con el servicio que recibió de GE Appliances, comuníquese con nosotros a través de nuestro sitio Web con todos los detalles, incluyendo su número telefónico, o escriba a:

General Manager, Customer Relations | GE Appliances, Appliance Park | Louisville, KY 40225

[GEAppliances.com/contact](http://GEAppliances.com/contact) o comuníquese al 800.626.2000