

INSTALLATION INSTRUCTIONS

**Backguard for
Professional Ranges**

BGRV2 models

US CA



www.dcsappliances.com

591091A 04.16

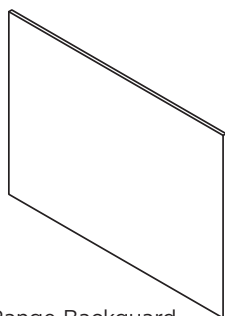
① SAFETY AND WARNINGS

⚠ WARNING!	
	Cut Hazard Take care - panel edges are sharp. Failure to use caution could result in injury or cuts.

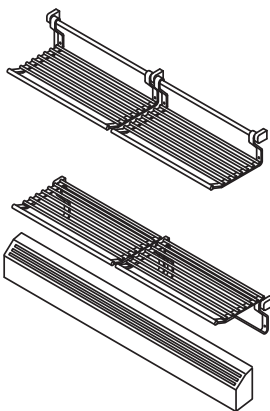
IMPORTANT SAFETY INSTRUCTIONS!

- Save these instructions for the local inspectors use.
 - To avoid hazard, follow these instructions carefully before installing or using this product.
 - Please make this information available to the person installing the product - doing so could reduce your installation costs.
 - If the installation requires alterations to the domestic electrical system, call a qualified electrician. The electrician should also check that the socket cable section is suitable for the electricity drawn by the range.
- Service should only be done by authorized technicians. Technicians must disconnect the power supply before servicing this appliance.
 - Installation must comply with your local building and electricity regulations.
 - Improper installation, adjustment alteration, service or maintenance can cause property damage, injury or death. Read the installation, operating and maintenance instructions thoroughly.
 - DO NOT obstruct the flow of combustion or ventilation air to the accompanying appliance. Be sure a fresh air supply is available.
 - California Proposition 65 - The burning of gas cooking fuel generates some by-products which are known by the State of California to cause cancer or reproductive harm. California law requires businesses to warn customers of potential exposure to such substances. To minimize exposure to these substances, always operate this unit according to the manufacturer's instructions and provide good ventilation to the room when cooking with gas.
 - Check local building codes for the proper method of installation. Local codes vary. Installation, electrical connections, and grounding must comply with all applicable codes. In the absence of local codes, the range should be installed in accordance with the latest edition of National Fuel Gas Code ANSI Z223.1 and National Electrical Code ANSI / NFPA 70.
 - Do not place items of interest to children on racks or appliance. Children could be seriously injured if they should climb onto or into the appliance to reach these items.
 - Do not place combustible material (paper, cloth, plastic, etc.) on the rack.

② UNPACKING AND PARTS SUPPLIED



Range Backguard
(model specific) (1)



WALL MOUNT HIGH BACKGUARD LOW SHELF Models

Low Shelf Rack & Handle Kit
30" & 36" Models (x2 Racks)
48" Models (x3 Racks)

WALL MOUNT HIGH BACKGUARD HIGH SHELF Models

High Shelf Rack & Handle Kit
30" & 36" Models (x2 Racks)
48" Models (x3 Racks)
Angled Trim

Unpacking and handling

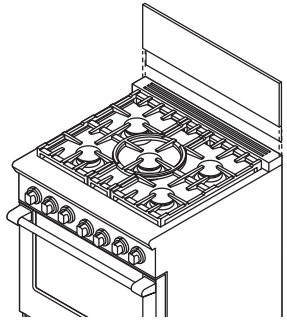
- Inspect the backguard and racks to verify that there is no shipping damage. If any damage is detected, call the shipper and initiate a damage claim. DCS by Fisher & Paykel is not responsible for shipping damage.
- DO NOT discard any packing material (box, pallet, straps) until the unit has been inspected.
- Remove the outer carton and any packing material and dispose responsibly.

IMPORTANT! SAVE THESE INSTRUCTIONS

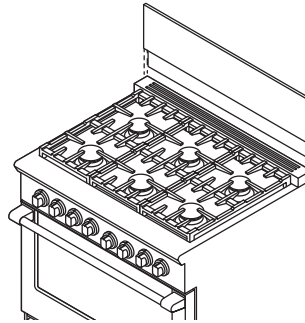
The models shown in this installation guide may not be available in all markets and are subject to change at any time. For current details about model and specification availability in your country, please go to our website www.dcsappliances.com or contact your local DCS by Fisher & Paykel dealer.

3 MODEL IDENTIFICATION

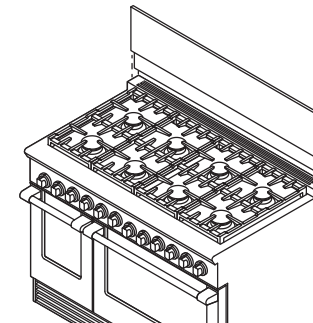
RANGE MOUNT LOW BACKGUARD



BGRV2-1230

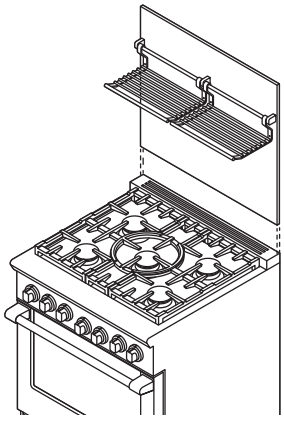


BGRV2-1236

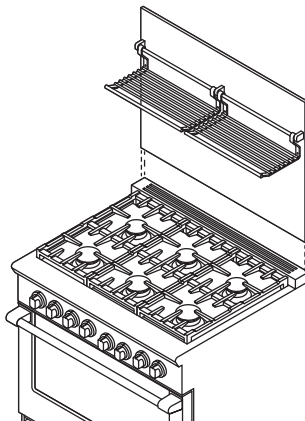


BGRV2-1248

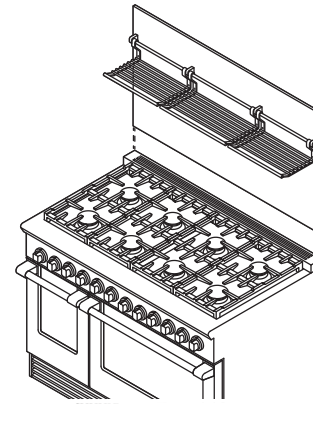
WALL MOUNT HIGH BACKGUARD LOW SHELF



BGRV2-3030

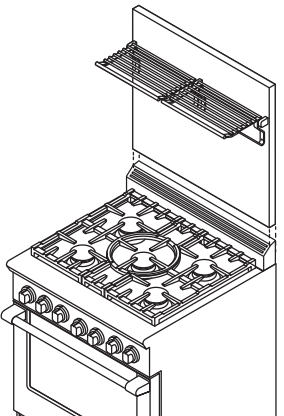


BGRV2-3036

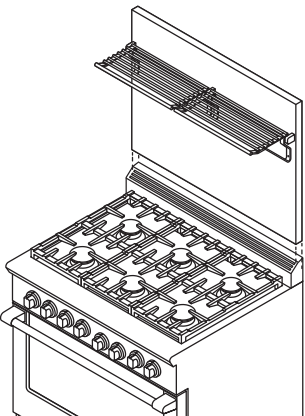


BGRV2-3048

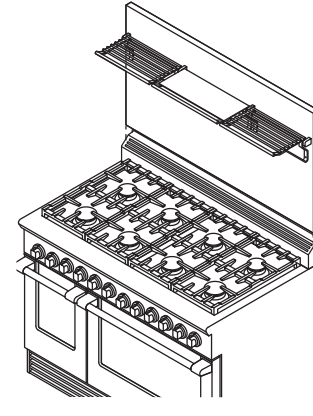
WALL MOUNT HIGH BACKGUARD HIGH SHELF AND ANGLED VENT TRIM



BGRV2-3030H



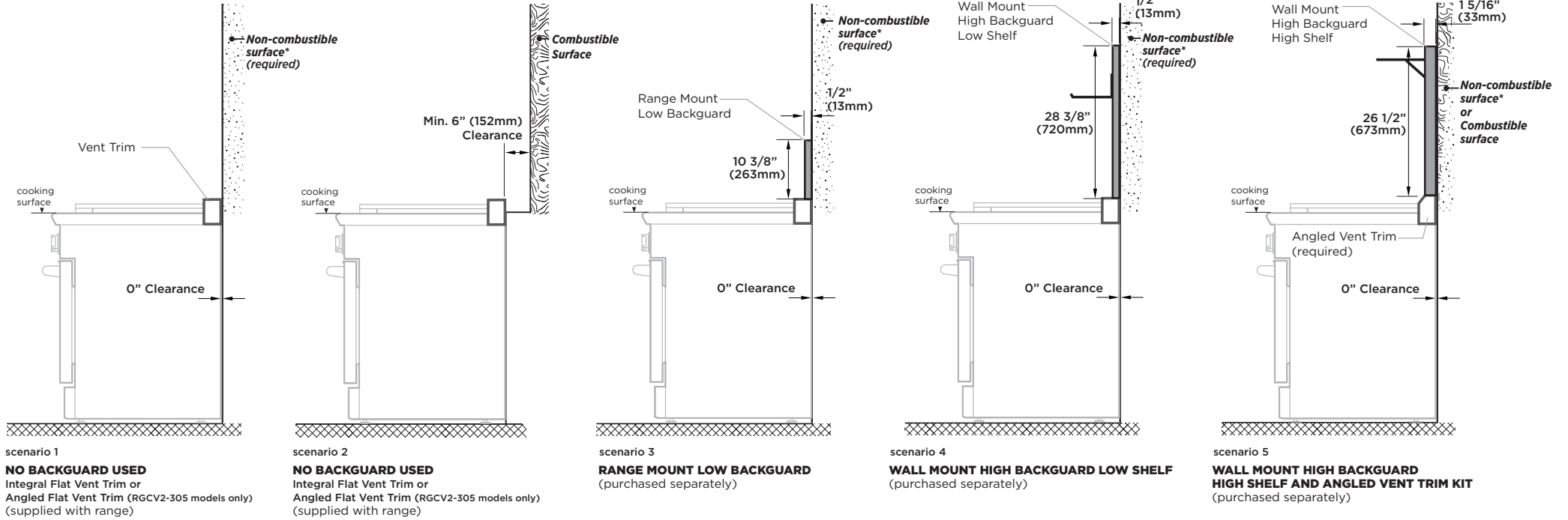
BGRV2-3036H



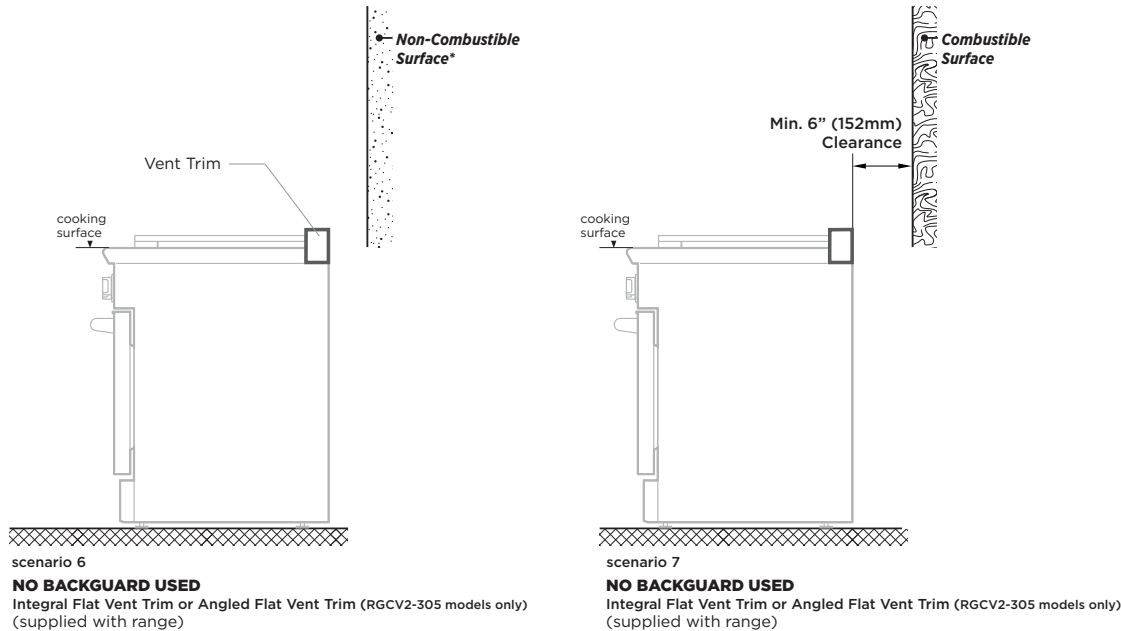
BGRV2-3048H

4 INSTALLATION SCENARIOS AND USE OF BACKGUARDS

WALL INSTALLATION



ISLAND INSTALLATION



④ INSTALLATION SCENARIOS AND USE OF BACKGUARDS

Important notes

- All ranges come fitted standard with either an Integral Flat Vent Trim or an Angled Vent Trim (RGCV2-305 models only)
- There are three different backguards available for purchase:
 - Range Mount Low Backguard
 - Wall Mount High Backguard with Low Shelf
 - Wall Mount High Backguard with High Shelf, also supplied with an Angled Vent Trim.
- For **installations against non-combustible* surfaces only**, you may install the range without a backguard or choose any of the three backguards.
- For **installations close to combustible surfaces (above the cooking surface)**, without a backguard, there must be a minimum 6" (152mm) clearance (see Scenario 2 or 7 opposite)
- For **installations immediately against combustible surfaces (above the cooking surface)**, you must purchase and fit the Wall Mount High Backguard High Shelf and Angled Vent Trim (see Scenario 5 opposite)
- The cooking surface must sit flush or above the adjacent countertop level.

* Non-combustible surfaces:
 as defined in 'National Fuel Gas Code' (ANSI Z223.1, Current Edition). Clearances from non-combustible materials are not part of the ANSI Z21.1 scope and are not certified by UL. Clearances of less than 6" (152mm) must be approved by the local codes and/or by the local authority having jurisdiction.

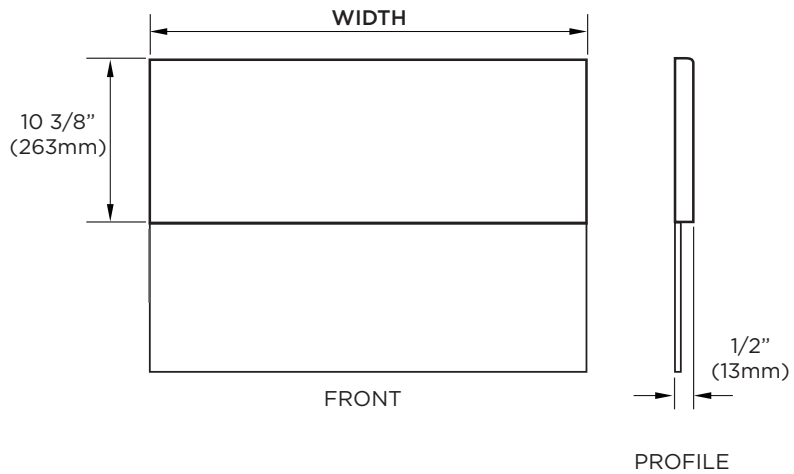
BACKGUARD MODEL NUMBERS

RANGE	RANGE MOUNT LOW BACKGUARD	WALL MOUNT HIGH BACKGUARD LOW SHELF	WALL MOUNT HIGH BACKGUARD HIGH SHELF	BACKGUARD WIDTH
30" models	BGRV2-1230	BGRV2-3030	BGRV2-3030H	29 7/8" (759mm)
36" models	BGRV2-1236	BGRV2-3036	BGRV2-3036H	35 7/8" (911mm)
48" models	BGRV2-1248	BGRV2-3048	BGRV2-3048H	47 7/8" (1216mm)

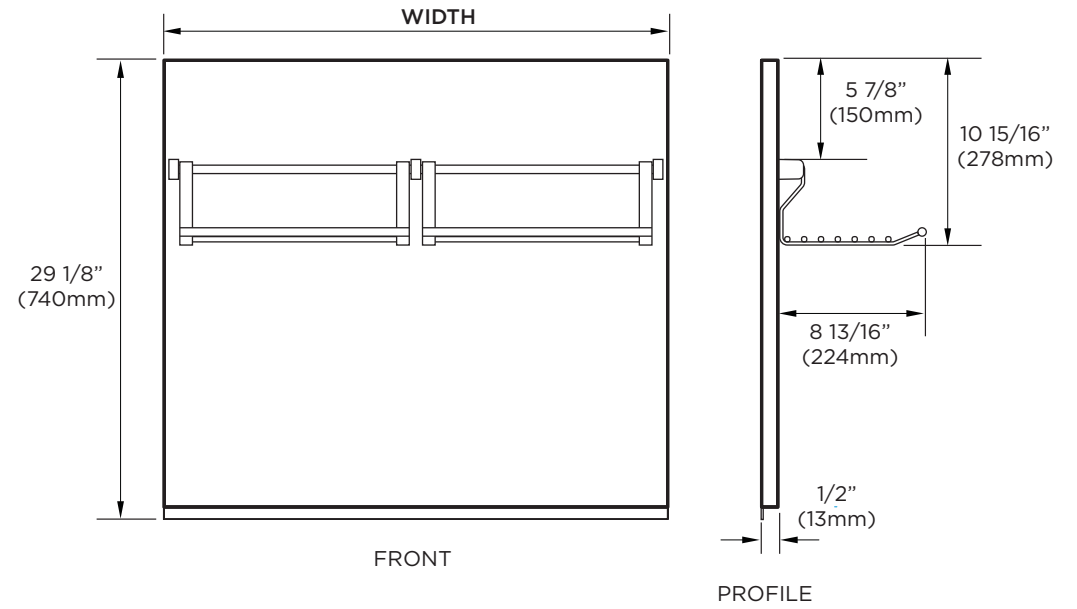
Note: For more information on Backguard installation, refer to the separate instructions provided with your backguard. Backguard Installation Instructions can also be downloaded from our website, www.dcsappliances.com

5 **PRODUCT DIMENSIONS**

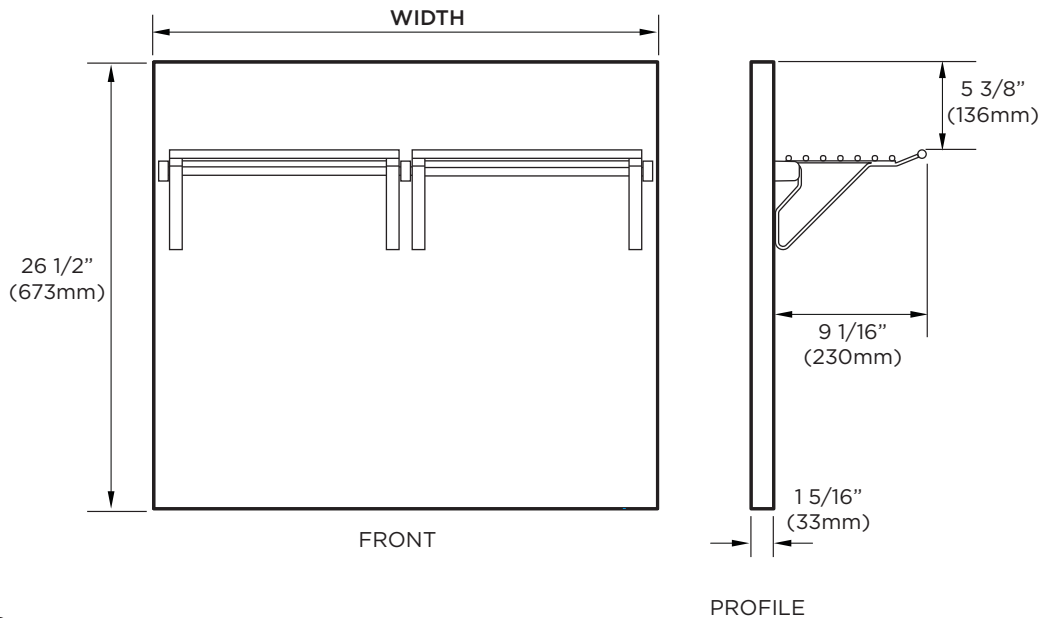
RANGE MOUNT LOW BACKGUARD



WALL MOUNT HIGH BACKGUARD LOW SHELF

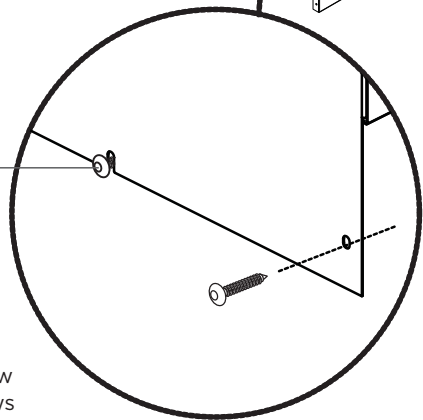
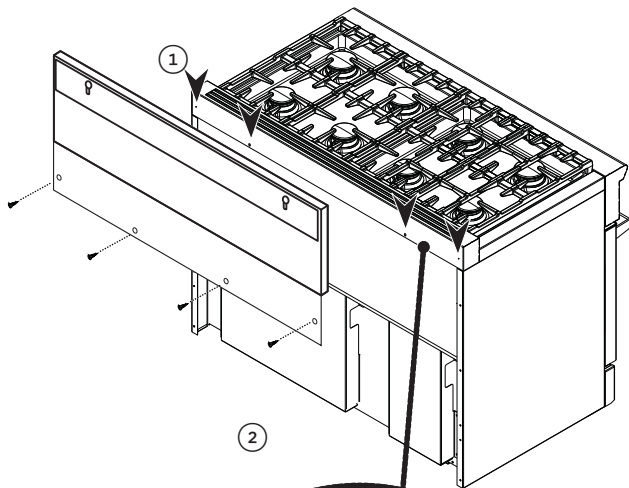


WALL MOUNT HIGH BACKGUARD HIGH SHELF

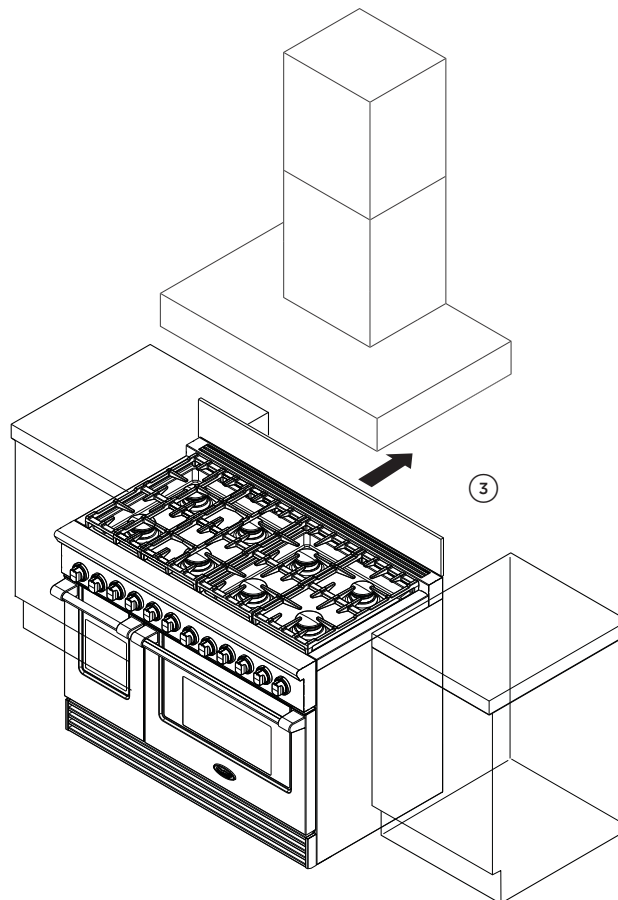


SUITABLE RANGE	RANGE MOUNT LOW BACKGUARD	WALL MOUNT HIGH BACKGUARD LOW SHELF	WALL MOUNT HIGH BACKGUARD HIGH SHELF	BACKGUARD WIDTH
30" models	BGRV2-1230	BGRV2-3030	BGRV2-3030H	29 $\frac{7}{8}$ " (759mm)
36" models	BGRV2-1236	BGRV2-3036	BGRV2-3036H	35 $\frac{7}{8}$ " (911mm)
48" models	BGRV2-1248	BGRV2-3048	BGRV2-3048H	47 $\frac{7}{8}$ " (1216mm)

6-A RANGE MOUNT LOW BACKGUARD - ASSEMBLY

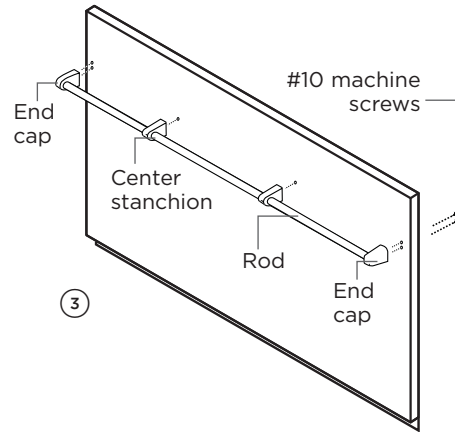
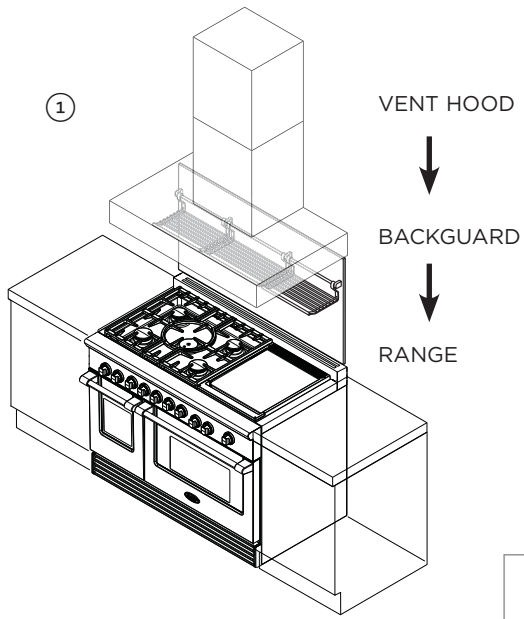


Center screw
These screws
come pre-attached to
rear of range



- Attach low backguard to the rear of the range**
- ① Align the backguard with the range, so that it rests on the vent trim.
 - ② Fasten the bottom of the backguard to the rear of the range using all the screws provided, as shown.
The two center screws come already attached to the range for your convenience.
- Finally position range**
- ③ Push the range into position.
Follow the rest of the instructions shown in the range installation instructions.

6-B WALL MOUNT HIGH BACKGUARD WITH LOW SHELF - ASSEMBLY



① **Recommended installation order:**

- 1] VENT HOOD
- 2] BACKGUARD
- 3] RANGE

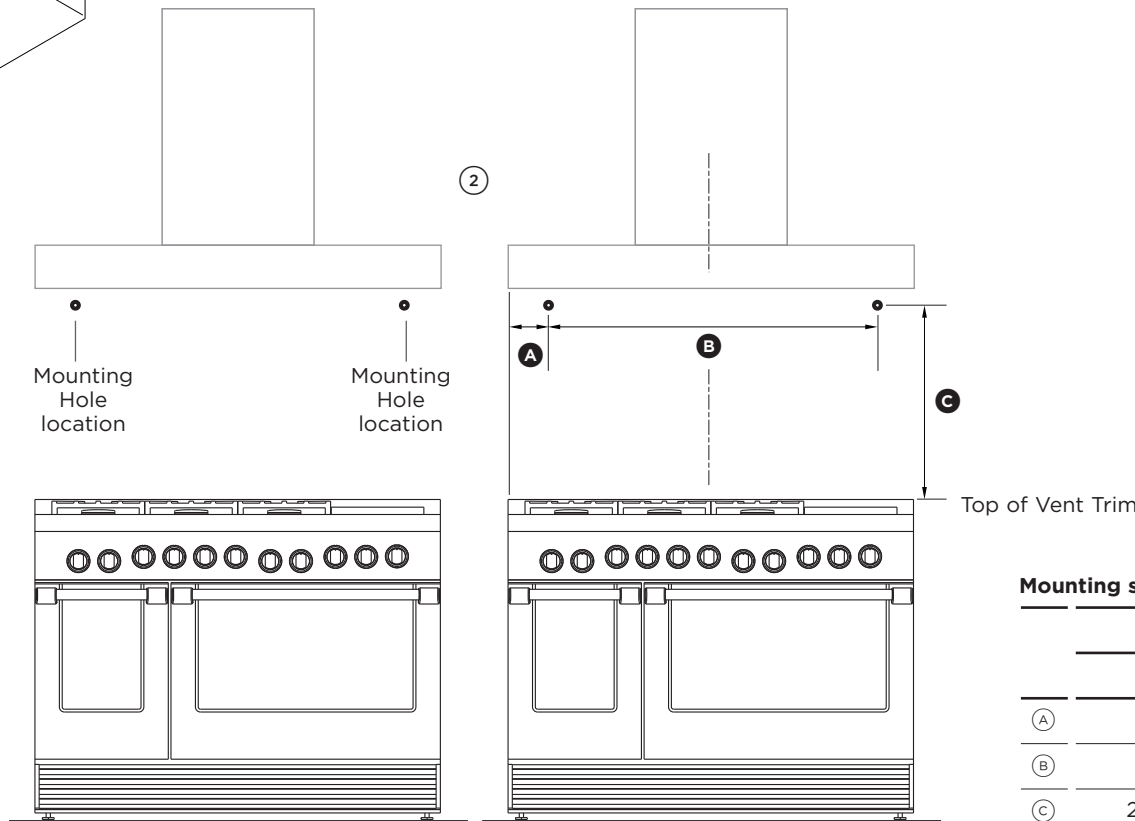
Locate and Mark the two mounting screw locations

- ② Use the diagram below depending on your particular model.

Attach rod etc

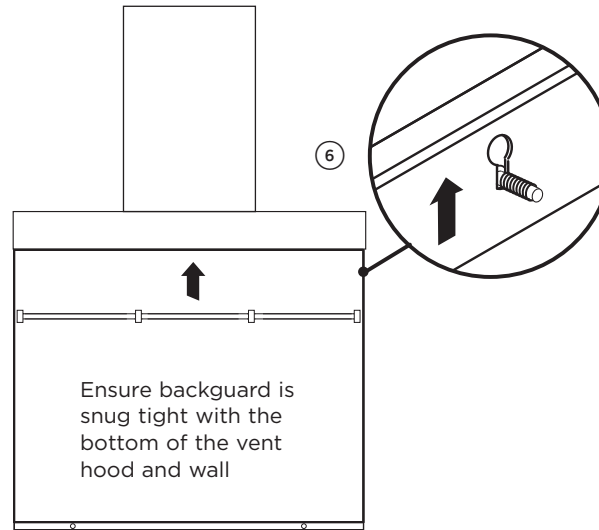
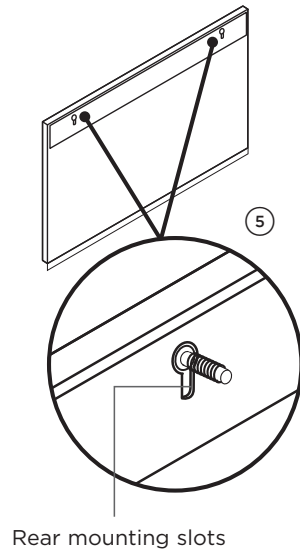
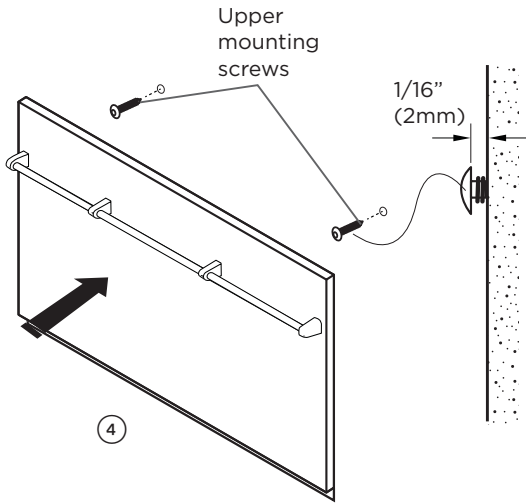
- ③ Attach rod, end caps and center stanchion to backguard with #10 machine screws supplied.

continued over...



Mounting screw locations

	30" MODELS	36" MODELS	48" MODELS
	inches (mm)	inches (mm)	inches (mm)
Ⓐ	6 15/16" (176)	1 15/16" (50)	7 15/16" (202)
Ⓑ	16" (406)	32" (813)	32" (813)
Ⓒ	26 9/16" (675)	26 9/16" (675)	26 9/16" (675)



Mount Backguard to wall

- ④ Use the marked holes to locate the upper mounting screw locations on the wall. Pre-drill and install flange head screws (not supplied), leaving 1/16" (1mm) between the screw head and wall.
- ⑤ Place the backguard onto the screws by lining up the screw heads with the rear mounting slots.
- ⑥ Push backguard up and adjust until it sits flush with the bottom of the vent hood. Ensure the backguard is tight on the wall and is not loose. You may need to adjust the depth of the mounting screws to achieve this.
- ⑦ Once the backguard is in position, mark, drill and install the lower mounting screws at the bottom of the backguard.

Attach racks

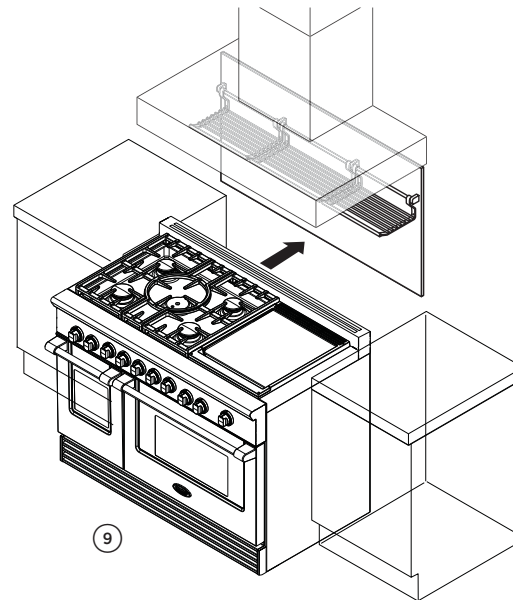
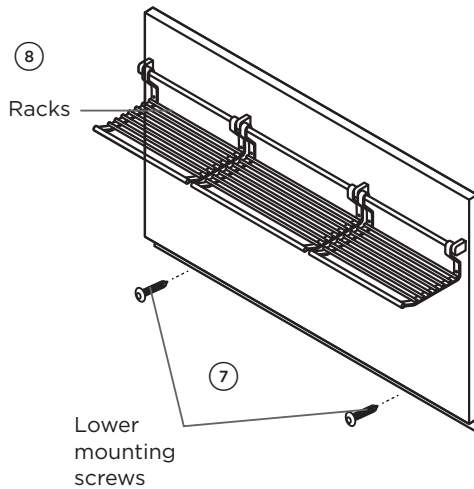
- ⑧ Attach the racks to rod (racks may vary).

Finally position range

- ⑨ Push the range into position so that the backguard sits flush with the top of the range vent trim.
Follow the rest of the instructions shown in the range installation instructions.

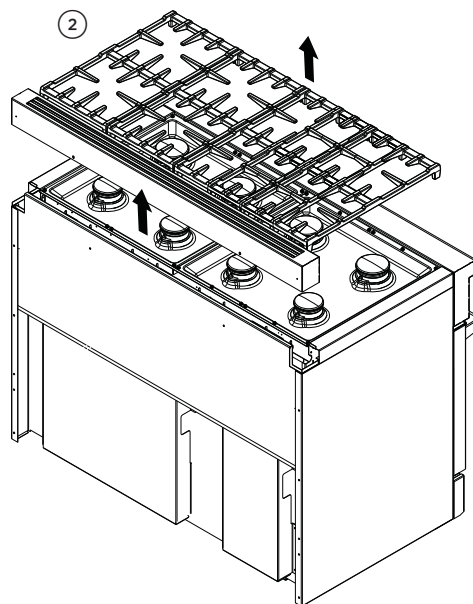
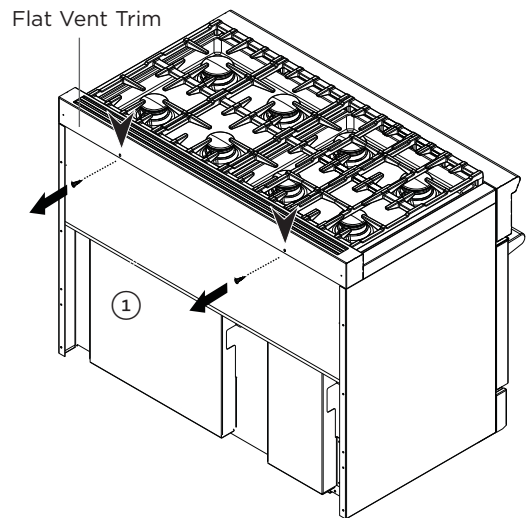
IMPORTANT!

The back section must be securely fastened to the wall. Failure to do so could cause damage or personal injury if the Backguard was to pull free from wall when racks are loaded. The maximum weight placed on each rack should be 10lbs.



⑥-C WALL MOUNT HIGH BACKGUARD WITH HIGH SHELF - REPLACE THE VENT TRIM

Flat Vent Trim



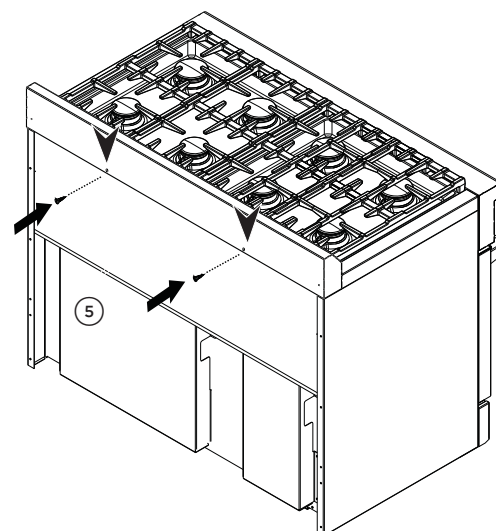
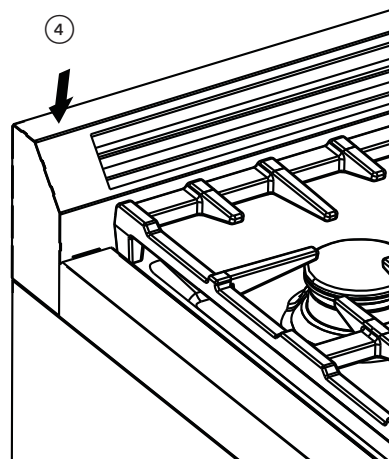
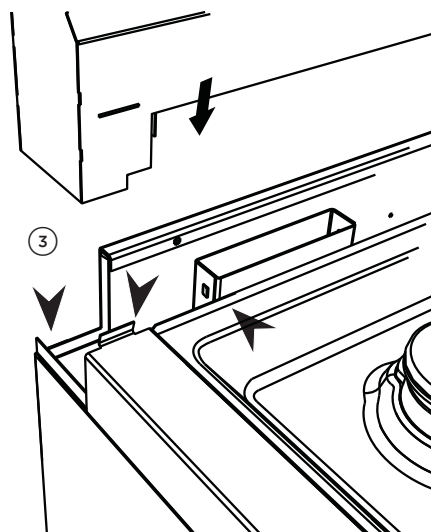
- Remove the flat vent trim**
- ① If using the high backguard with high shelf, you must install the angle trim (supplied) first. First, remove the two screws at the back of the trim as shown.
 - ② Carefully lift off the flat vent trim and also the pan supports/griddle/grill frame etc.

IMPORTANT!

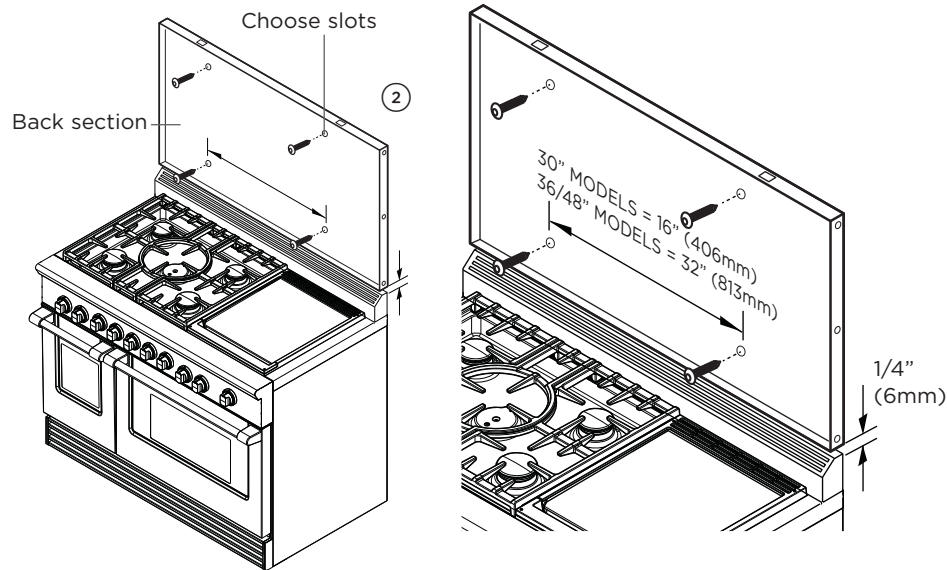
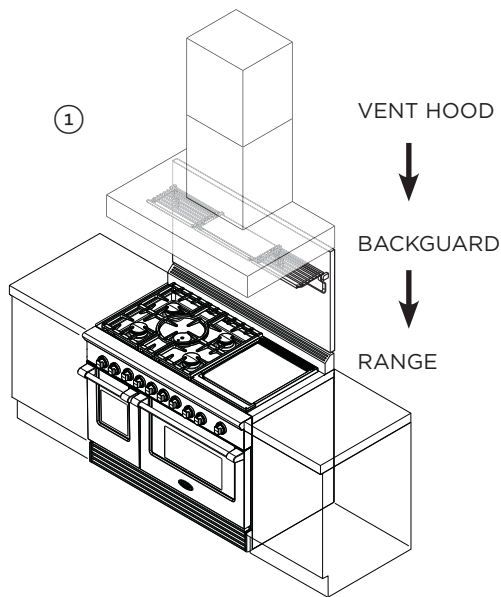
Be careful not to touch any exposed electrical wiring or internals at this stage.

Install the angle vent trim

- ③ Paying particular attention to the metal tabs around the opening of the range, carefully place the angle trim down over the rear trim of the range.
- ④ The angle trim must fit properly over the spill guards and hob edge.
- ⑤ Refit the two screws into the rear trim as shown.



⑥-C WALL MOUNT HIGH BACKGUARD WITH HIGH SHELF - ASSEMBLY



- ① Recommended installation order:
1] VENT HOOD
2] BACKGUARD
3] RANGE

Locate and Mark the mounting screw locations for backguard back section

- ② After unpacking all backguard parts, position the back section so that it's 1/4" (6mm) and centered above the Vent Trim attached to the range. Secure back section to wall with the appropriate fasteners (not supplied) to anchors or wood stud. The slots in the back section may be used to adjust spacing between range vent trim and backguard for a flush fit.

Attach rod etc to front section

- ③ Attach rod, end caps and center stanchion to front section of backguard with #10 machine screws supplied.

Secure front section to back section

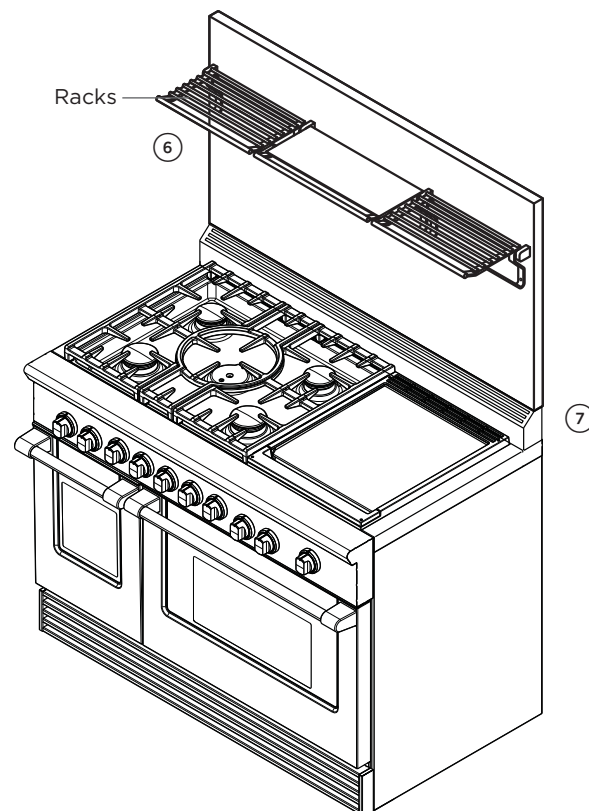
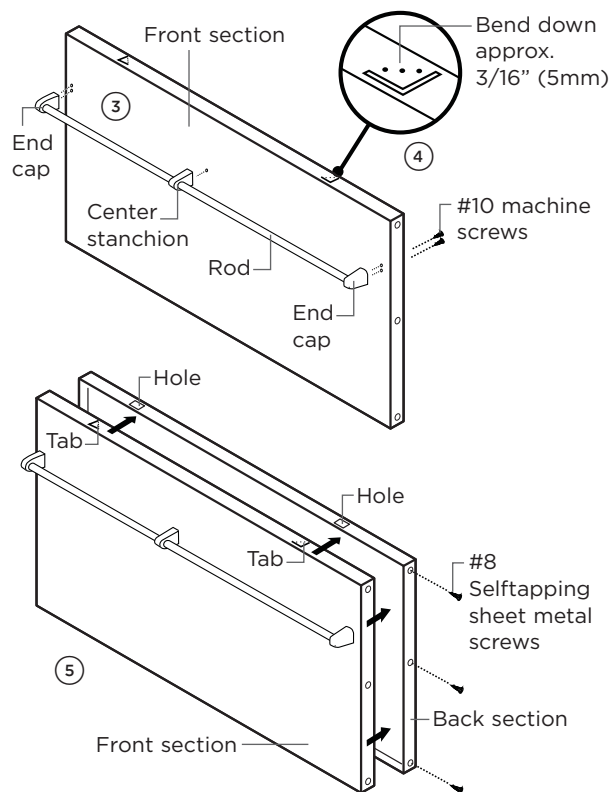
- ④ Bend wedge-shaped tabs down on top of the front section approximately 3/16" (5mm).
⑤ Secure front section of backguard to back section with #8 self-tapping sheet metal screws supplied. When mounting the front section, ensure that these tabs engage the mating holes in the top of the rear section.

Attach racks

- ⑥ Attach the racks to rod (racks may vary).

Finally position range

- ⑦ Push the range into position so that the backguard sits flush with the top of the range vent trim. Follow the rest of the instructions shown in the range installation instructions.



IMPORTANT!

The back section must be securely fastened to the wall. Failure to do so could cause damage or personal injury if the Backguard was to pull free from wall when racks are loaded. The maximum weight placed on each rack should be 10lbs.

7 FINAL CHECKLIST

✓ TO BE COMPLETED BY THE INSTALLER

GENERAL

- Correct and suitable placement of the appliance and backguard.
- Specified clearances maintained to cabinet surfaces.
- Specified clearances maintained to either combustible or non-combustible surfaces.
- Backguard centered under hood and level - front to back, side to side and is securely fastened to the appliance (Range Mount Low Backguard only) or to the wall.
- All packaging material and tie straps removed.
- Angle trim (Wall Mount High Backguard High Shelf only) is correctly placed over the rear trim of the trim and fits properly over the spill guards and hob edge.
- Ensure all racks are fitted and securely in place

Complete and keep for safe reference:

Model _____

Serial No. _____

Purchase Date _____

Purchaser _____

Dealer Address _____

Installer's Name _____

Installer's Signature _____

Installation Company _____

Installation Date _____

Copyright © Fisher & Paykel Appliances 2016. All rights reserved.
The product specifications in this booklet apply to the specific products and models described at the date of issue. Under our policy of continuous product improvement, these specifications may change at any time. You should therefore check with your Dealer to ensure this booklet correctly describes the product currently available.

INSTALLATION INSTRUCTIONS

**Backguard for
Professional Cooktops**
BGCV2 models

US CA



www.dcsappliances.com

591091A 04.16

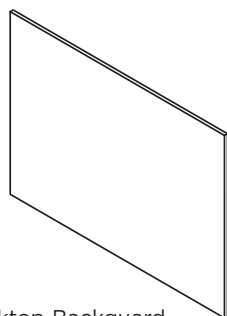
① SAFETY AND WARNINGS

⚠ WARNING!	
	Cut Hazard Take care - panel edges are sharp. Failure to use caution could result in injury or cuts.

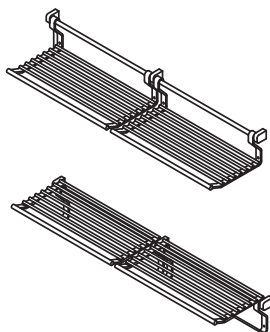
IMPORTANT SAFETY INSTRUCTIONS!

- Save these instructions for the local inspectors use.
 - To avoid hazard, follow these instructions carefully before installing or using this product.
 - Please make this information available to the person installing the product - doing so could reduce your installation costs.
 - If the installation requires alterations to the domestic electrical system, call a qualified electrician. The electrician should also check that the socket cable section is suitable for the electricity drawn by the cooktop.
- Service should only be done by authorized technicians. Technicians must disconnect the power supply before servicing this appliance.
 - Installation must comply with your local building and electricity regulations.
 - Improper installation, adjustment alteration, service or maintenance can cause property damage, injury or death. Read the installation, operating and maintenance instructions thoroughly.
 - DO NOT obstruct the flow of combustion or ventilation air to the accompanying appliance. Be sure a fresh air supply is available.
 - California Proposition 65 - The burning of gas cooking fuel generates some by-products which are known by the State of California to cause cancer or reproductive harm. California law requires businesses to warn customers of potential exposure to such substances. To minimize exposure to these substances, always operate this unit according to the manufacturer's instructions and provide good ventilation to the room when cooking with gas.
 - Check local building codes for the proper method of installation. Local codes vary. Installation, electrical connections, and grounding must comply with all applicable codes. In the absence of local codes, the range should be installed in accordance with the latest edition of National Fuel Gas Code ANSI Z223.1 and National Electrical Code ANSI / NFPA 70.
 - Do not place items of interest to children on racks or appliance. Children could be seriously injured if they should climb onto or into the appliance to reach these items.
 - Do not place combustible material (paper, cloth, plastic, etc.) on the rack.

② UNPACKING AND PARTS SUPPLIED



Cooktop Backguard
(model specific) (1)



WALL MOUNT HIGH BACKGUARD LOW SHELF Models

Low Shelf Rack & Handle Kit
30" & 36" Models (x2 Racks)
48" Models (x3 Racks)

WALL MOUNT HIGH BACKGUARD HIGH SHELF Models

High Shelf Rack & Handle Kit
30" & 36" Models (x2 Racks)
48" Models (x3 Racks)

Unpacking and handling

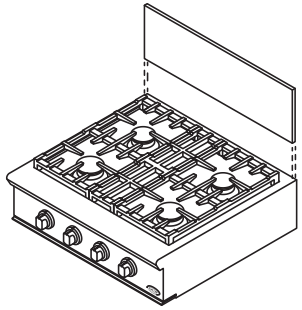
- Inspect the backguard and racks to verify that there is no shipping damage. If any damage is detected, call the shipper and initiate a damage claim. DCS by Fisher & Paykel is not responsible for shipping damage.
- DO NOT discard any packing material (box, pallet, straps) until the unit has been inspected.
- Remove the outer carton and any packing material and dispose responsibly.

IMPORTANT! SAVE THESE INSTRUCTIONS

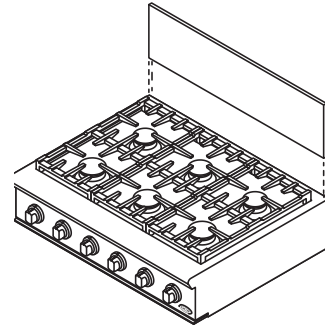
The models shown in this installation guide may not be available in all markets and are subject to change at any time. For current details about model and specification availability in your country, please go to our website www.dcsappliances.com or contact your local DCS by Fisher & Paykel dealer.

3 MODEL IDENTIFICATION

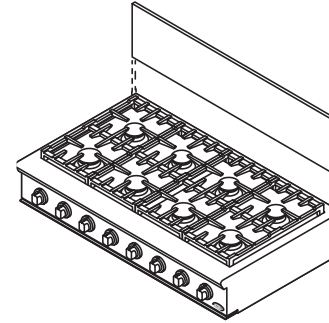
WALL MOUNT LOW BACKGUARD



BGCV2-1230

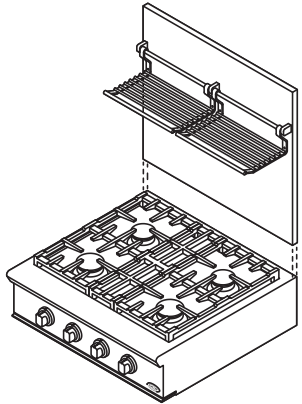


BGCV2-1236

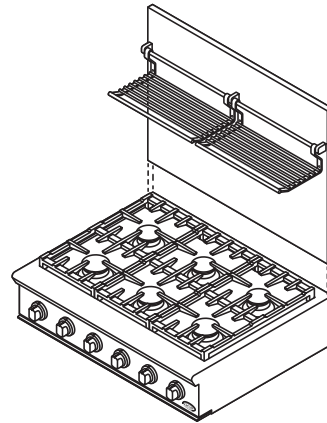


BGCV2-1248

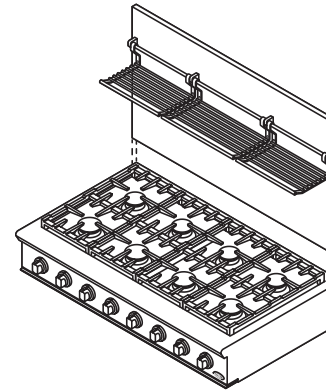
WALL MOUNT HIGH BACKGUARD LOW SHELF



BGCV2-3030

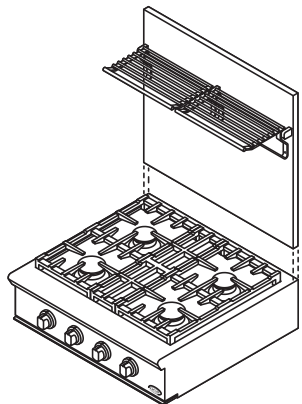


BGCV2-3036

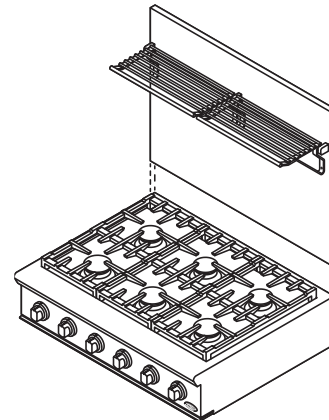


BGCV2-3048

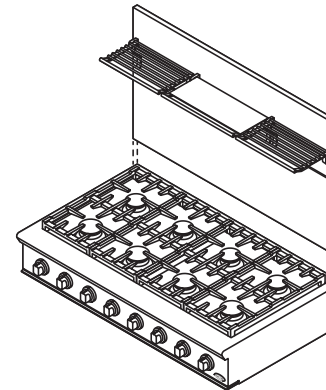
WALL MOUNT HIGH BACKGUARD HIGH SHELF



BGCV2-3030H

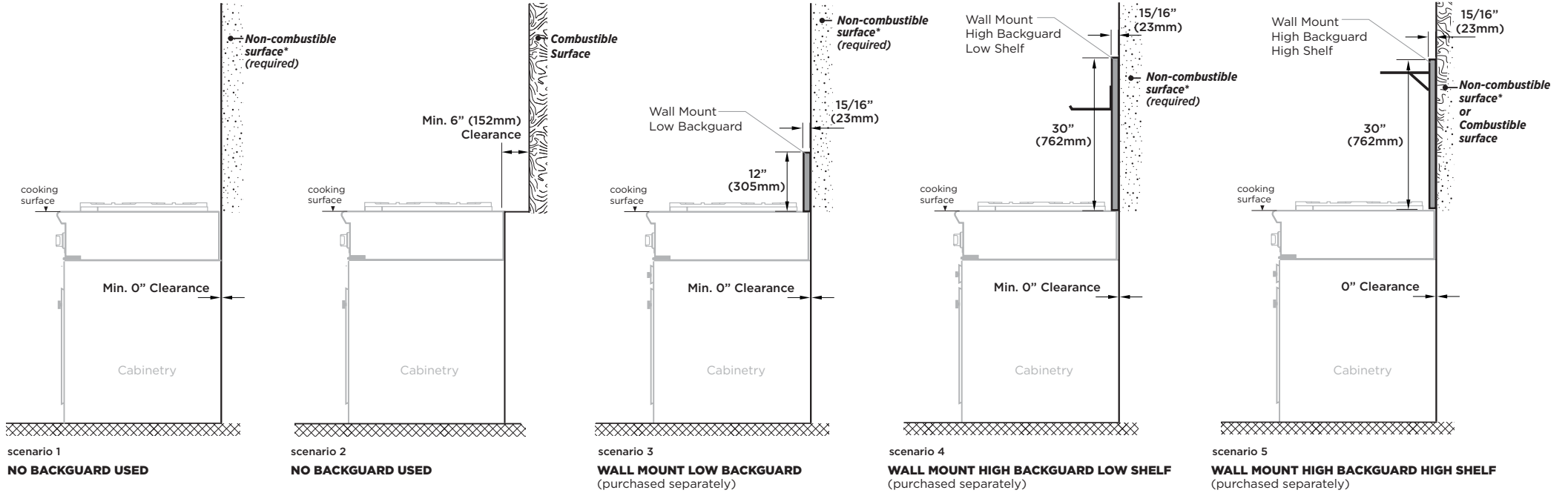


BGCV2-3036H

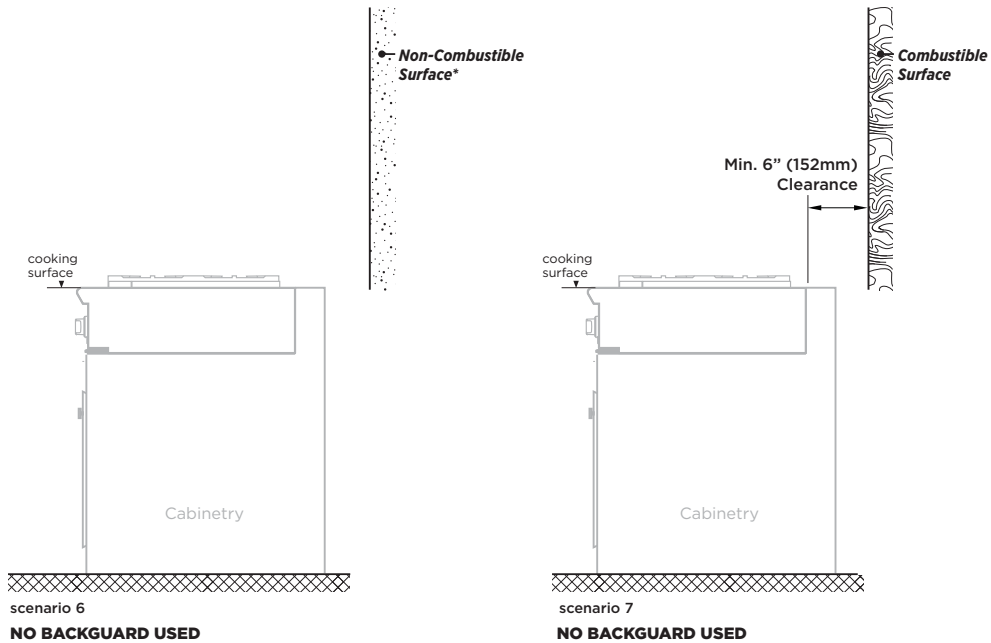


BGCV2-3048H

WALL INSTALLATION



ISLAND INSTALLATION



④ COOKTOP INSTALLATION SCENARIOS AND USE OF BACKGUARDS

Important notes

- There are three different backguards available for purchase:
 - Wall Mount Low Backguard
 - Wall Mount High Backguard with Low Shelf
 - Wall Mount High Backguard with High Shelf.
- For **installations against non-combustible* surfaces only**, you may install the cooktop without a backguard or choose any of the three backguards.
- For **installations close to combustible surfaces (above the cooking surface)**, without a backguard, there must be a minimum 6" (152mm) clearance (see Scenario 2 or 7 opposite)
- For **installations immediately against combustible surfaces (above the cooking surface)**, you must purchase the Wall Mount High Backguard High Shelf (scenario 5 opposite).
- The cooking surface must sit flush or above the adjacent countertop level.

* Non-combustible surfaces:

as defined in 'National Fuel Gas Code' (ANSI Z223.1, Current Edition). Clearances from non-combustible materials are not part of the ANSI Z21.1 scope and are not certified by UL. Clearances of less than 6" (152mm) must be approved by the local codes and/or by the local authority having jurisdiction.

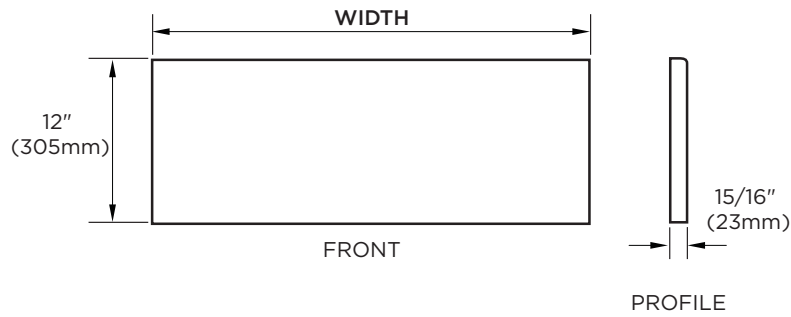
BACKGUARD MODEL NUMBERS

COOKTOP	WALL MOUNT LOW BACKGUARD	WALL MOUNT HIGH BACKGUARD LOW SHELF	WALL MOUNT HIGH BACKGUARD HIGH SHELF	BACKGUARD WIDTH
30" models	BGCV2-1230	BGCV2-3030	BGCV2-3030H	29 7/8" (759mm)
36" models	BGCV2-1236	BGCV2-3036	BGCV2-3036H	35 7/8" (911mm)
48" models	BGCV2-1248	BGCV2-3048	BGCV2-3048H	47 7/8" (1216mm)

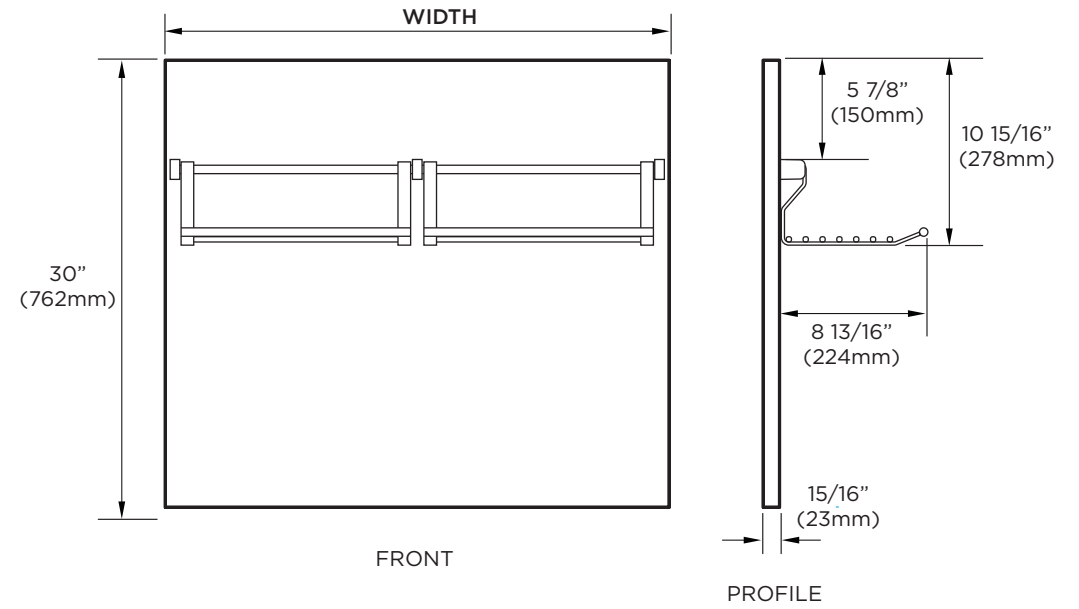
Note: Backguard Installation Instructions can also be downloaded from our website, www.dcsappliances.com

⑤ **PRODUCT DIMENSIONS**

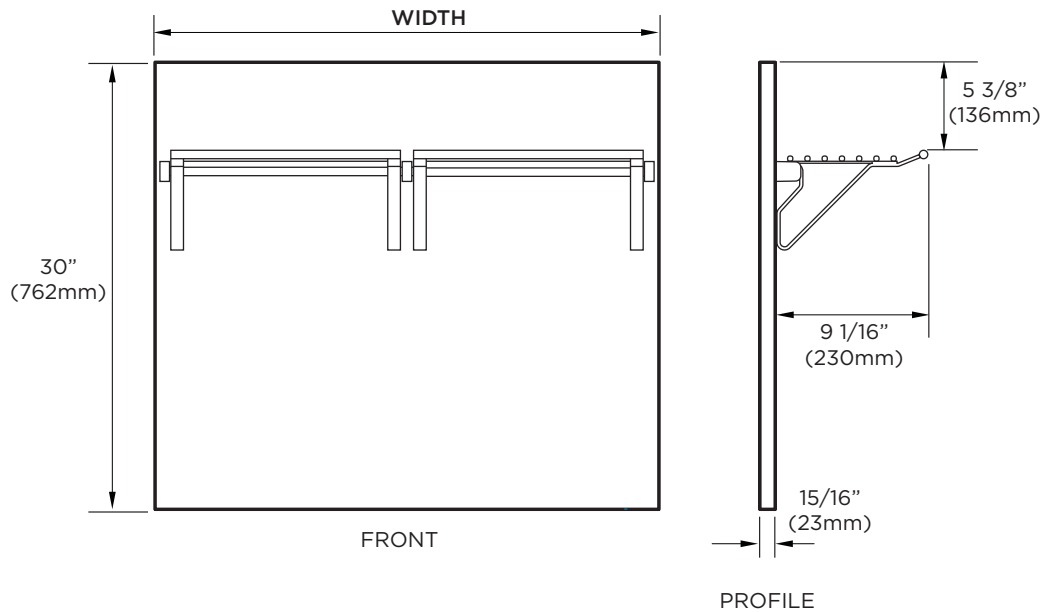
WALL MOUNT LOW BACKGUARD



WALL MOUNT HIGH BACKGUARD LOW SHELF

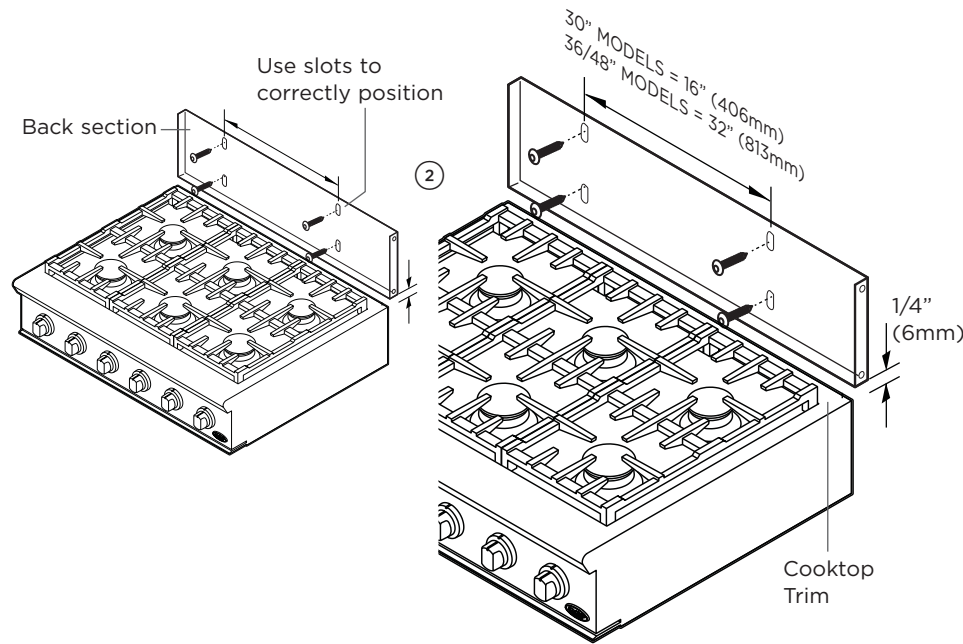
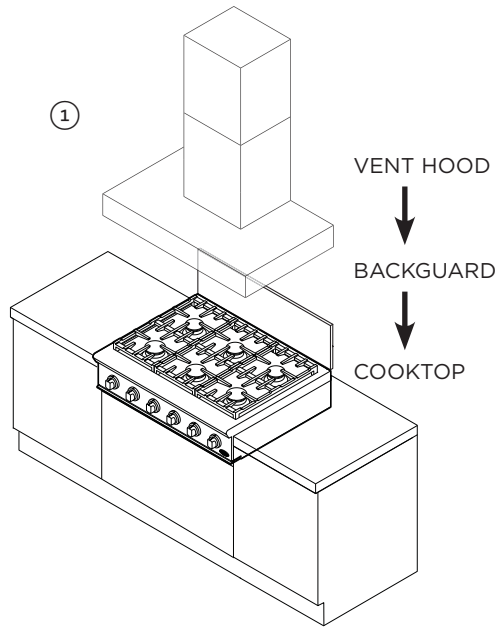


WALL MOUNT HIGH BACKGUARD HIGH SHELF



SUITABLE RANGE	WALL MOUNT LOW BACKGUARD	WALL MOUNT HIGH BACKGUARD LOW SHELF	WALL MOUNT HIGH BACKGUARD HIGH SHELF	BACKGUARD WIDTH
30" models	BGCV2-1230	BGCV2-3030	BGCV2-3030H	29 7/8" (759mm)
36" models	BGCV2-1236	BGCV2-3036	BGCV2-3036H	35 7/8" (911mm)
48" models	BGCV2-1248	BGCV2-3048	BGCV2-3048H	47 7/8" (1216mm)

6-A WALL MOUNT LOW BACKGUARD - ASSEMBLY



- ① **Recommended installation order:**
 1] VENT HOOD
 2] BACKGUARD
 3] COOKTOP

Locate and Mark the mounting screw locations for back section

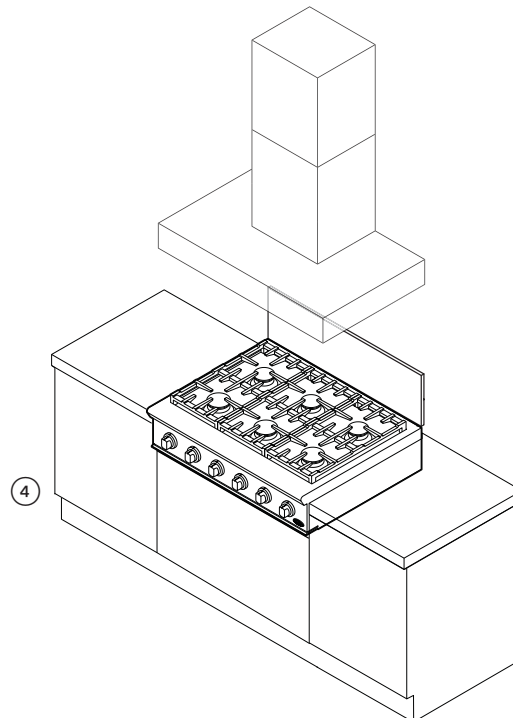
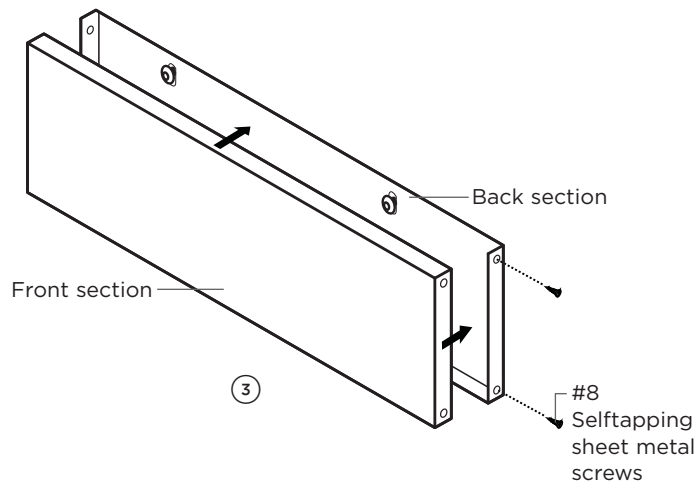
- ② After unpacking all backguard parts, position the back section so that it's 1/4" (6mm) and centered above the cooktop trim. Secure back section to wall with the appropriate fasteners (not supplied) to anchors or wood stud. The slots in the back section may be used to adjust spacing between cooktop trim and backguard for a flush fit.

Secure front section to back section

- ③ Secure front section of backguard to back section with #8 self-tapping sheet metal screws supplied.

Finally position cooktop

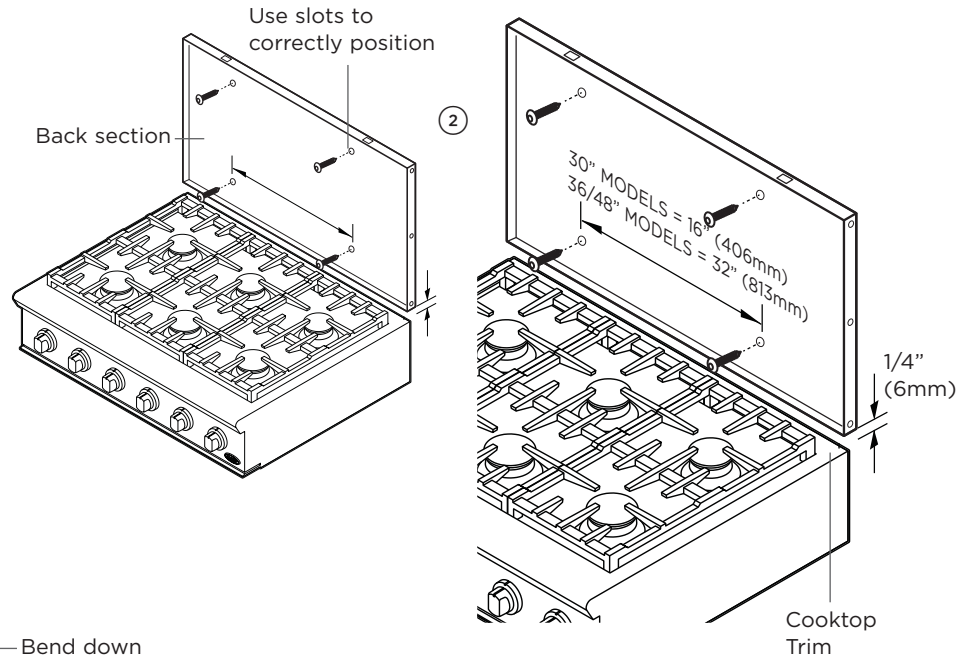
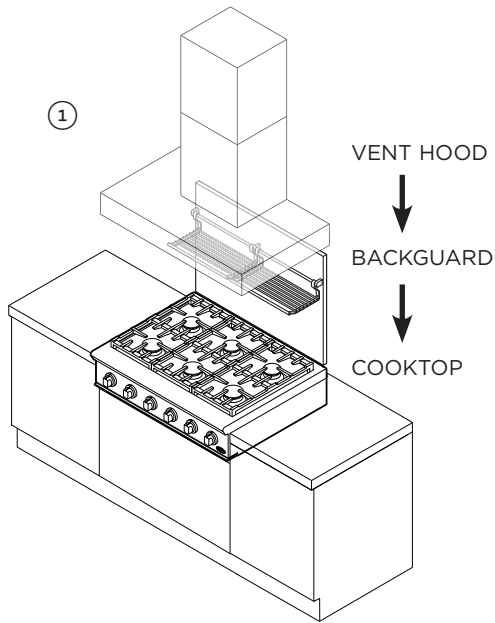
- ④ Place the cooktop into position so that the backguard sits flush with the top of the cooktop trim.
 Follow the rest of the instructions shown in the cooktop installation instructions.



IMPORTANT!

The back section must be securely fastened to the wall. Failure to do so could cause damage or personal injury if the Backguard was to pull free from wall.

6-B WALL MOUNT HIGH BACKGUARD WITH LOW SHELF/HIGH SHELF - ASSEMBLY



- 1 Recommended installation order:
- 1] VENT HOOD
 - 2] BACKGUARD
 - 3] COOKTOP

Locate and Mark the mounting screw locations for back section

- 2 After unpacking all backguard parts, position the back section so that it's 1/4" (6mm) and centered above the cooktop trim. Secure back section to wall with the appropriate fasteners (not supplied) to anchors or wood stud. The slots in the back section may be used to adjust spacing between cooktop trim and backguard for a flush fit.

Attach rod etc to front section

- 3 Attach rod, end caps and center stanchion to front section of backguard with #10 machine screws supplied.

Secure front section to back section

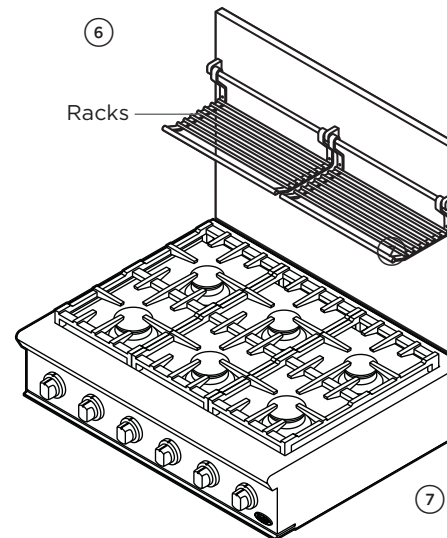
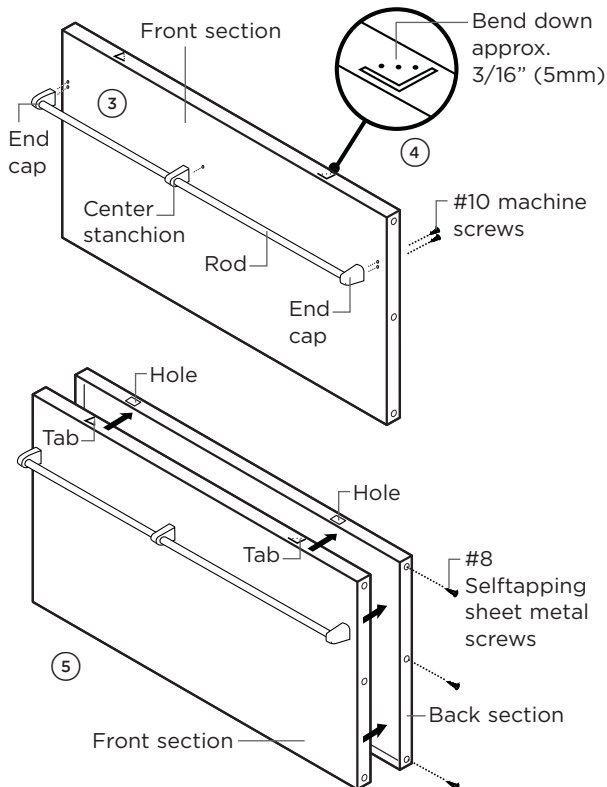
- 4 Bend wedge-shaped tabs down on top of the front section approximately 3/16" (5mm).
- 5 Secure front section of backguard to back section with #8 self-tapping sheet metal screws supplied. When mounting the front section, ensure that these tabs engage the mating holes in the top of the rear section.

Attach racks

- 6 Attach the racks to rod (racks may vary).

Finally position cooktop

- 7 Place the cooktop into position so that the backguard sits flush with the top of the cooktop trim. Follow the rest of the instructions shown in the cooktop installation instructions.



IMPORTANT!

The back section must be securely fastened to the wall. Failure to do so could cause damage or personal injury if the Backguard was to pull free from wall when racks are loaded. The maximum weight placed on each rack should be 10lbs.

⑦ FINAL CHECKLIST

✓ TO BE COMPLETED BY THE INSTALLER

GENERAL

- Correct and suitable placement of the appliance and backguard.
- Specified clearances maintained to cabinet surfaces.
- Specified clearances maintained to either combustible or non-combustible surfaces.
- Backguard centered under hood and level - front to back, side to side and sits flush with the top of the cooktop trim.
- All packaging material and tie straps removed.
- Front section of backguard is securely attached to the back section.
- Wedge-shaped tabs on top of front section (Wall Mount High Backguard only) are properly engaged with corresponding holes in top of rear section.
- Ensure all racks are fitted and securely in place

Complete and keep for safe reference:

Model _____

Serial No. _____

Purchase Date _____

Purchaser _____

Dealer Address _____

Installer's Name _____

Installer's Signature _____

Installation Company _____

Installation Date _____

Copyright © Fisher & Paykel Appliances 2016. All rights reserved.
The product specifications in this booklet apply to the specific products and models described at the date of issue. Under our policy of continuous product improvement, these specifications may change at any time. You should therefore check with your Dealer to ensure this booklet correctly describes the product currently available.

