

T36IF905SP

36-INCH BUILT-IN FREEZER COLUMN WITH INTERNAL ICE MAKER

FREEDOM® COLLECTION, PANEL-READY



FEATURES & BENEFITS

- Full Stainless Steel Inner Liner
- Freedom® Hinge enables true flush design
- Auto Door Opening provides the opening of the door with just a slight push or pull
- Energy Efficient Diamond Ice made with twist tray technology
- Smooth Filtered Lighting for clear and easy viewing of all product
- SoftClose® Drawers for easy and controlled storage
- Sleek clean design for the perfect symmetry when paired with additional columns
- TFT control panel managing all your columns functions

TEMPERATURE RANGES

| | |
|------------------------------|--|
| Freezer | -11°F (-24°C) to 7°F (-14°C) |
| SuperFreeze® | -22°F (-30°C) for approximately 52 hours |
| Energy Saving (Economy) Mode | 3°F (-16°C) |

GENERAL PROPERTIES

| | |
|--|-----------------------------------|
| Home Connect™ (Wi-Fi Enabled) | Yes |
| Panel Ready | Yes |
| Reversible Door Swing | Yes |
| SoftClose® Door | Yes* |
| SoftClose® Drawers | Yes |
| Lighting | LED Sidewall and Theater Lighting |
| Freezer Shelves | 4 |
| Adjustable Shelves | 3 |
| Shelf Material | Glass w/Aluminum Profile |
| Full Extension Drawers @ 115° Door Opening Angle | Yes |
| General Use Drawer | 2 |
| Door Bins | 3 |
| External LED Proximity Sensor | No |
| Oversized Dispenser Opening | No |
| Chilled Water, Crushed and Cubed Ice | No |
| Rapid Water Replenishment System | No |
| Ice Maker with Diamond Ice System | Yes |
| Door Open Alarm | Yes |
| Open Door Assist | Yes |
| Special Modes | Sabbath, Economy, Vacation |

CAPACITY

| | |
|--------------------------|--------------|
| Total Capacity (cu. ft.) | 19.4 cu. ft. |
|--------------------------|--------------|

PERFORMANCE

| | |
|--|------------|
| Dedicated Evaporator & Compressor System | Yes |
| SuperFreeze® | Yes |
| Defrost Process | Frost-Free |

TECHNICAL DETAILS

| | |
|-------------------------|--------------|
| Watts (W) | 350 W |
| Current (A) | 15 A |
| Volts (V) | 110-120 V |
| Frequency (Hz) | 60 Hz |
| Power Cord Length (in.) | 118 |
| Plug Type | 120V-3 Prong |

DIMENSIONS & WEIGHT

| | |
|--|----------------------------|
| Appliance Dimensions (H x W x D) (in.) | 83 3/4"*** x 35 3/4" x 24" |
| Required Cutout Size (H x W x D) (in.) | 84" x 36" x 25" |
| Net / Gross Weight (lbs) | 395 / 437 lbs |

EFFICIENCY

| | |
|---------------------------|---------|
| ENERGY STAR® Qualified | Yes |
| Annual Energy Consumption | 528 kWh |

*To verify if you have a refrigeration unit with Soft-Close capability please contact our customer team by calling 1-800-735-4328.
 **Height adjustable + / -1/2" (+ / -13 mm)

T36IF905SP

36-INCH BUILT-IN FREEZER COLUMN WITH INTERNAL ICE MAKER

FREEDOM® COLLECTION, PANEL-READY

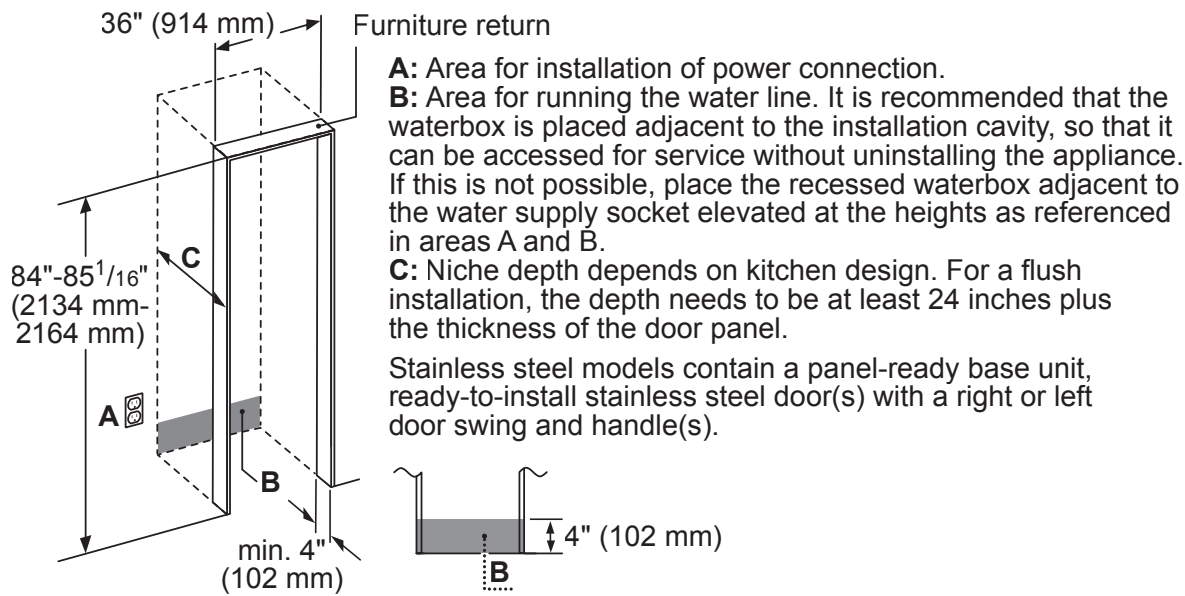


WARRANTY

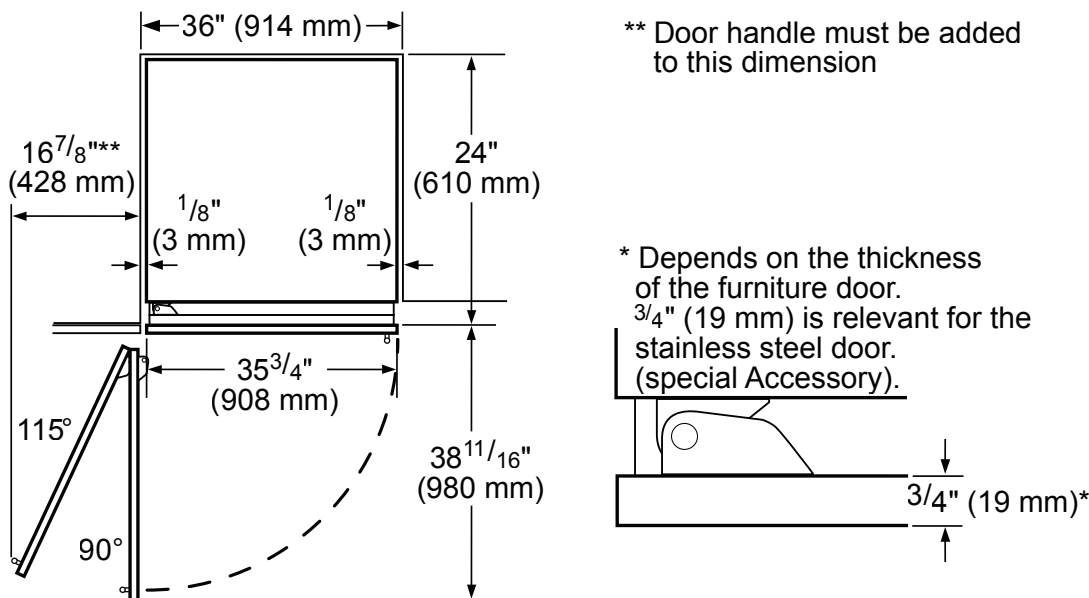
| | |
|---|------------------|
| Limited, Entire Appliance, Parts and Labor on Any Part of the Refrigerator that Fails Because of a Manufacturing Defect | 2 Year |
| Limited Warranty for Sealed Refrigeration System*; Parts and Labor | 3rd to 6th Year |
| Limited Warranty for Sealed Refrigeration System*; Parts Only | 7th to 12th Year |
| Limited Warranty for Stainless Steel Rust-Through | Lifetime |

*Sealed refrigeration system includes compressor, evaporator, condenser, dryer / strainer and connection tubing

CUTOUT DIMENSIONS



TOP VIEW CLEARANCE



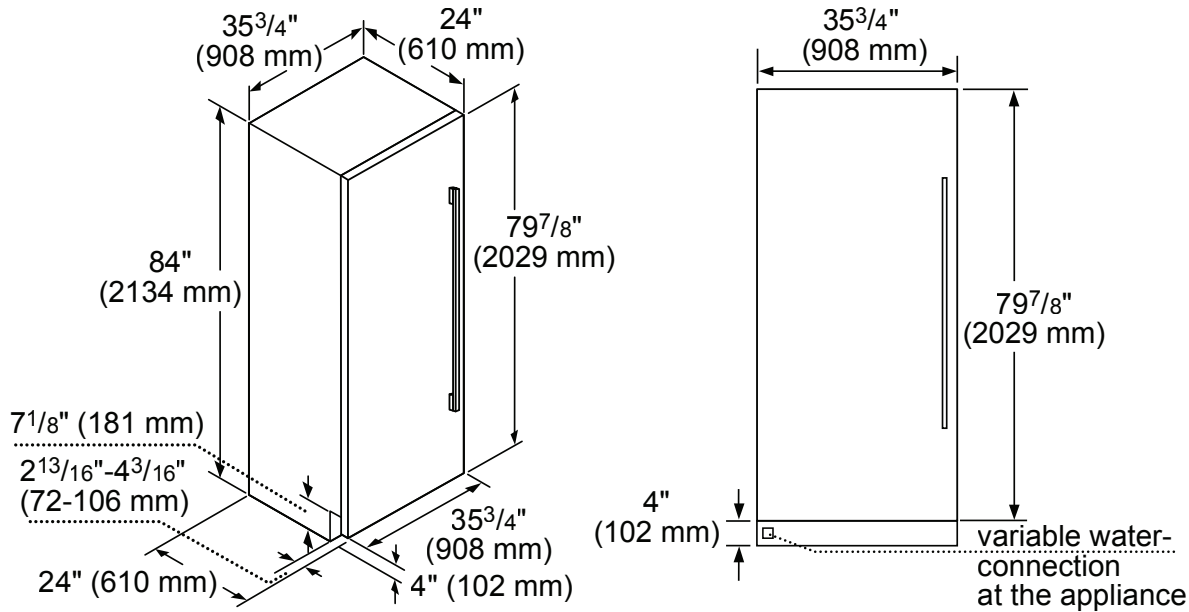
T36IF905SP

36-INCH BUILT-IN FREEZER COLUMN WITH INTERNAL ICE MAKER

FREEDOM® COLLECTION, PANEL-READY



PRODUCT AND PANEL DIMENSIONS



ACCESSORIES (OPTIONAL)

FLAT STAINLESS STEEL DOOR PANELS

30-Inch Flat Stainless Steel Door Panel Without Dispenser



TFL36IR900

For use with Handle

TFL36IR905

Handleless

NOTE: Handleless Panels should not be installed on units without the Soft-Close capability. If you are uncertain if you have a refrigeration unit with Soft-Close capability please contact our customer team by calling 1-800-735-4328.

STORAGE



ICEBUCKETL

Large Ice Bucket

FRAMEKIT10

Freedom® Frame Kit

For any custom column installation in 24-inch deep cutouts. With two metal side trims whose placement between the interior cutout wall and the appliance helps overcome the challenge of unfinished cabinet returns.

HANDLES

Choose between two options:



PR36HNDL20

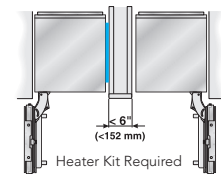
36-Inch Professional Series Handle

or



MS36HNDL20

36-Inch Masterpiece® Series Handle



HEATRKIT20 – 13W @ 120V

Freedom® Heater Kit

When two appliances are installed side-by-side a sealing kit must be used. For combinations that involve a freezer column, this sealing kit is included. For all other (non-traditional, i.e. two wine columns, two bottom freezers, etc.) side-by-side combinations or instances where any appliances are installed less than 6-inches (152 mm) apart from one another but not connected side-by-side, purchase this kit. This kit is recommended for use with any installation in areas that are subject to humidity, or located next to an outside wall.

FILTERS



REPLFLTR55

Freedom® Water Filter Replacement water filter for use in all freezer and bottom freezer models

These warranties give you specific legal rights and you may have other rights that vary from state to state. Limited warranty from date of purchase. For complete warranty details, refer to your Use & Care manual, or ask your dealer.

Specifications are for planning purposes only. Refer to installation instructions and consult your countertop supplier prior to making counter opening. Consult with a heating and ventilation engineer for your specific ventilation requirements. For the most detailed information, refer to installation instructions accompanying product or write to Thermador indicating the model number. Specifications are correct at time of printing. Thermador reserves the right to change product specifications or design without notice. Some models are certified for use in Canada. Thermador is not responsible for products that are transported from the U.S. for use in Canada.