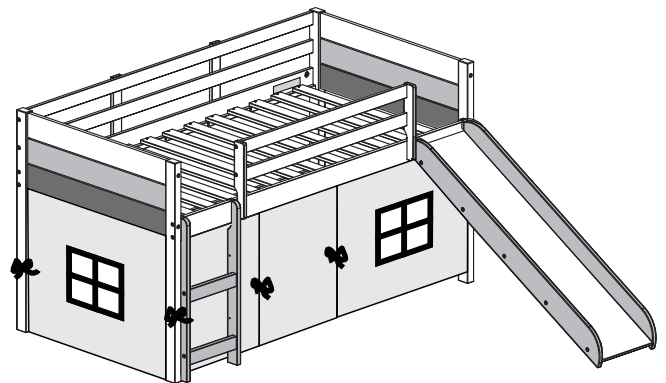
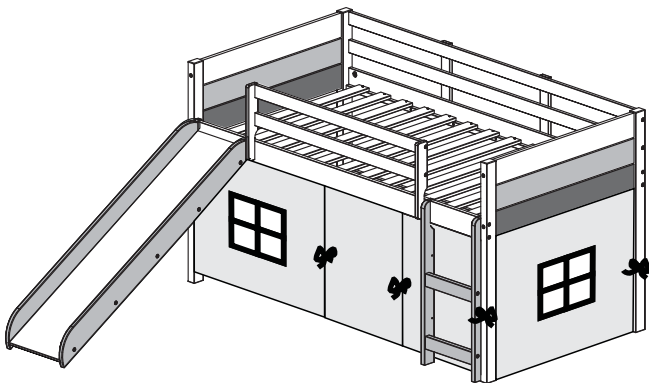
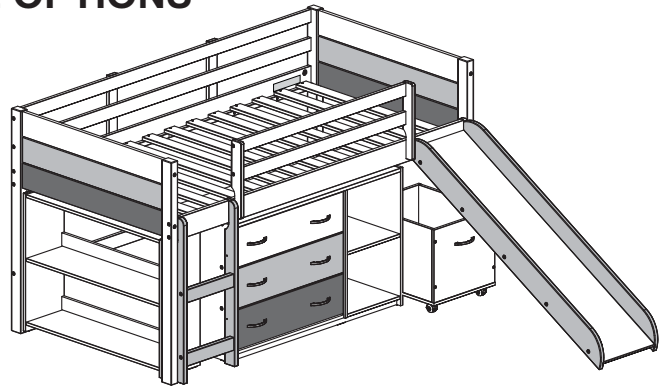
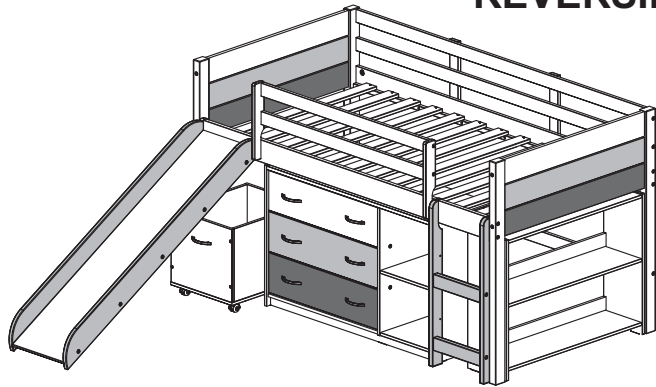


Fort Worth, Texas 76140

ASSEMBLY INSTRUCTIONS

5000 - LOW LOFT BED

REVERSIBLE OPTIONS



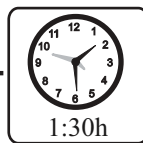
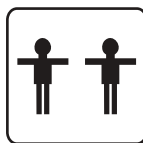
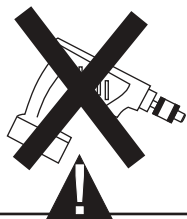
OPTIONAL COMPONENTS

DRESSER
TOY BOX
BOOKCASE

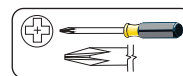
Thank you for purchasing this quality product. Be sure to check all packing material carefully for small parts which may have come loose inside the carton during shipment. Separate identify and count all parts and hardware.

Compare with the parts list to be sure all parts are present.

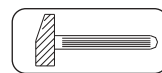
"DO NOT TIGHTEN SCREWS UNTIL COMPLETELY ASSEMBLED"



Tools Required



(Not included)



(Not included)

* Use of power tool to assemble this product will invalidate any claim and damage this product making unsafe !!!
* Please assemble on a clean soft surface to avoid damage.

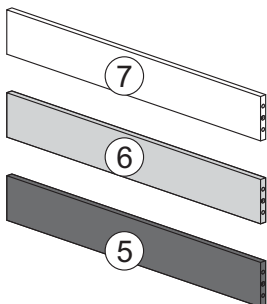
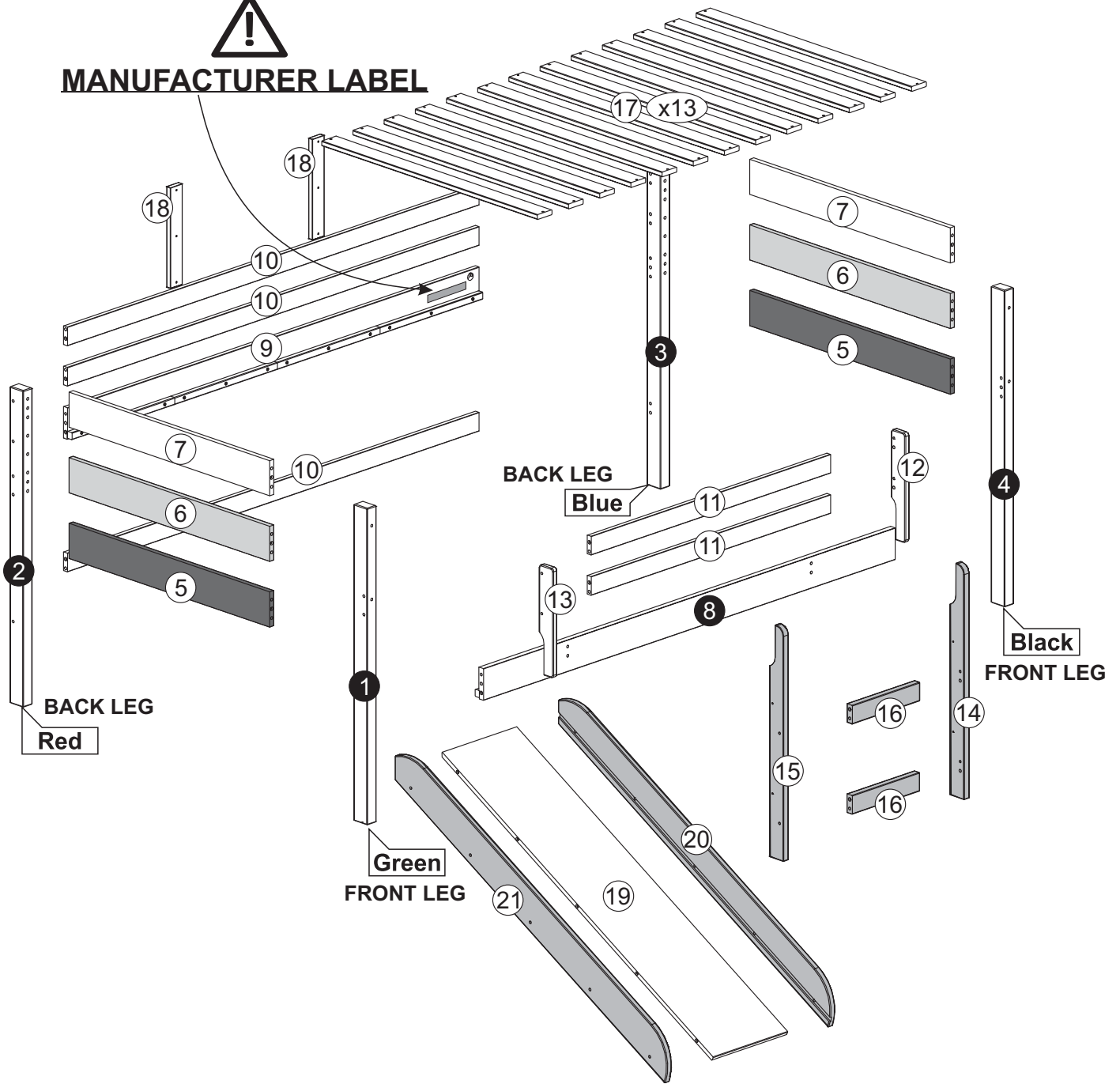
IMPORTANT:

PLEASE READ INSTRUCTION BEFORE STARTING THE ASSEMBLY

Part List - 5000 LOW LOFT BED



MANUFACTURER LABEL

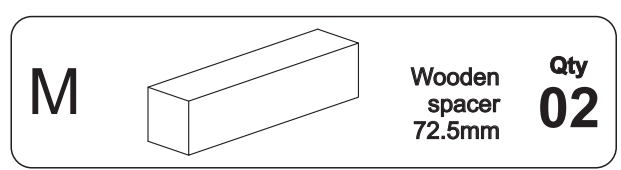
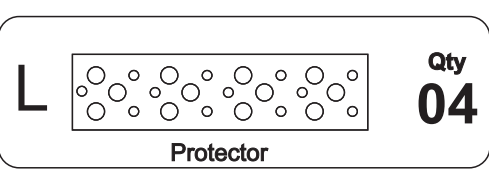
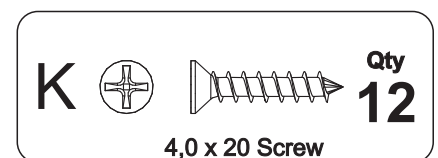
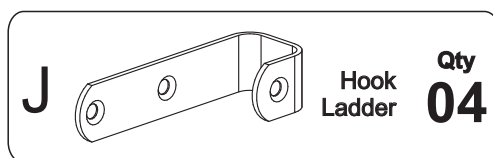
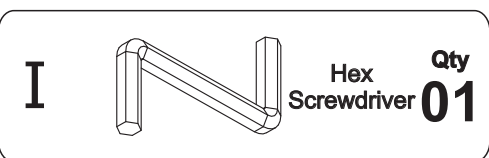
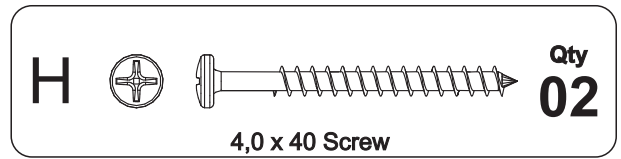
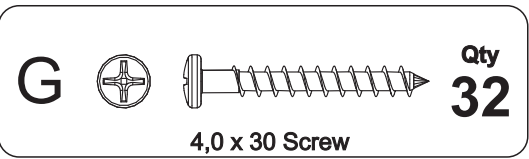
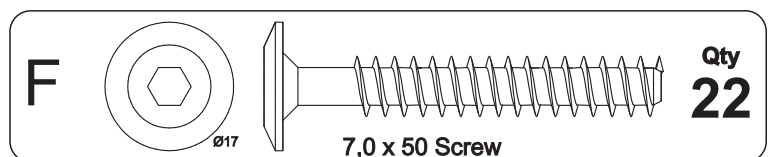
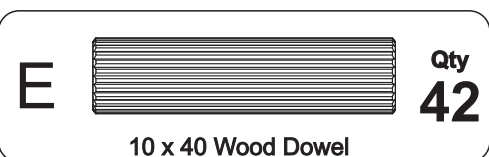
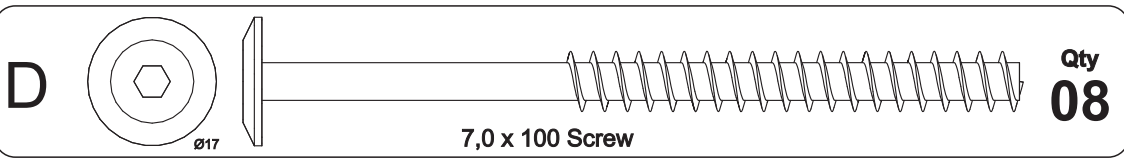
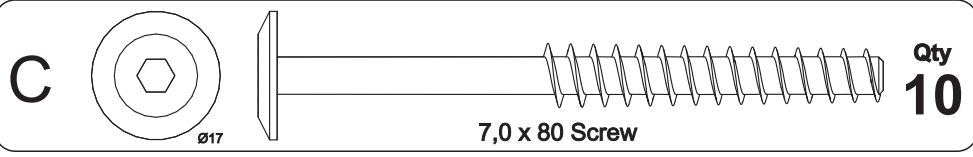
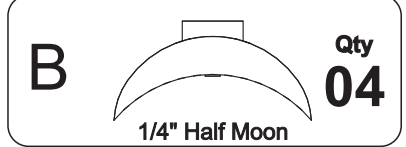
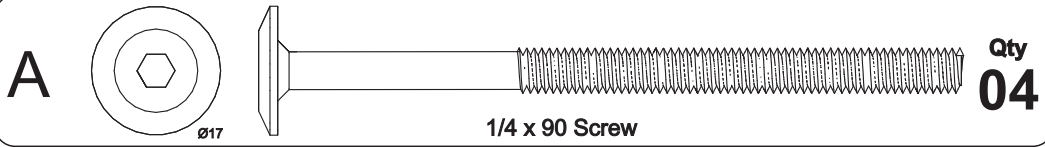


#7 Rustic White

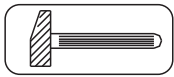
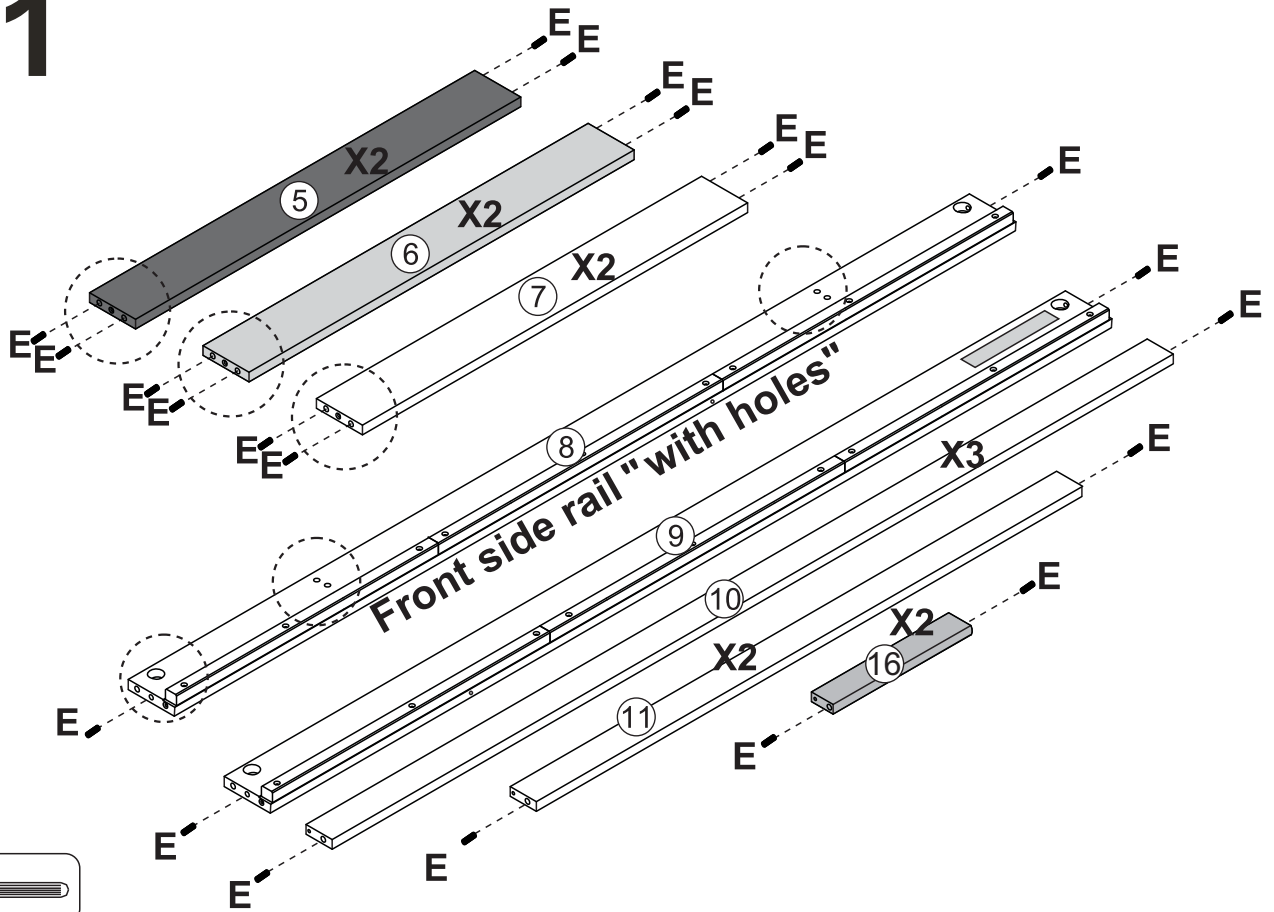
#6 Rustic Light Grey

#5 Rustic Dark Grey

Identifying the Hardware-Identify the hardware using the illustrations below.



01



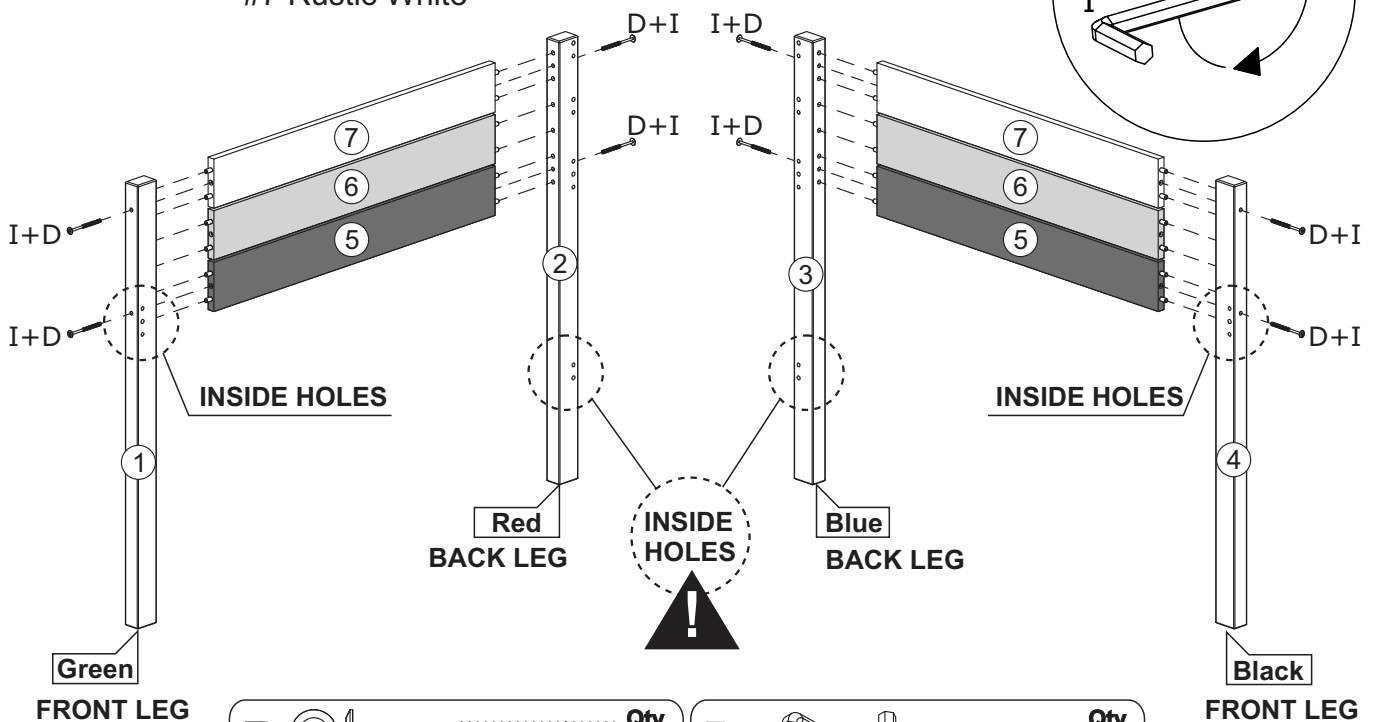
E  Qty **42**
10 x 40 Wood Dowel

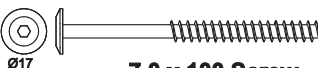
02

#5 Rustic Dark Grey

#6 Rustic Light Grey

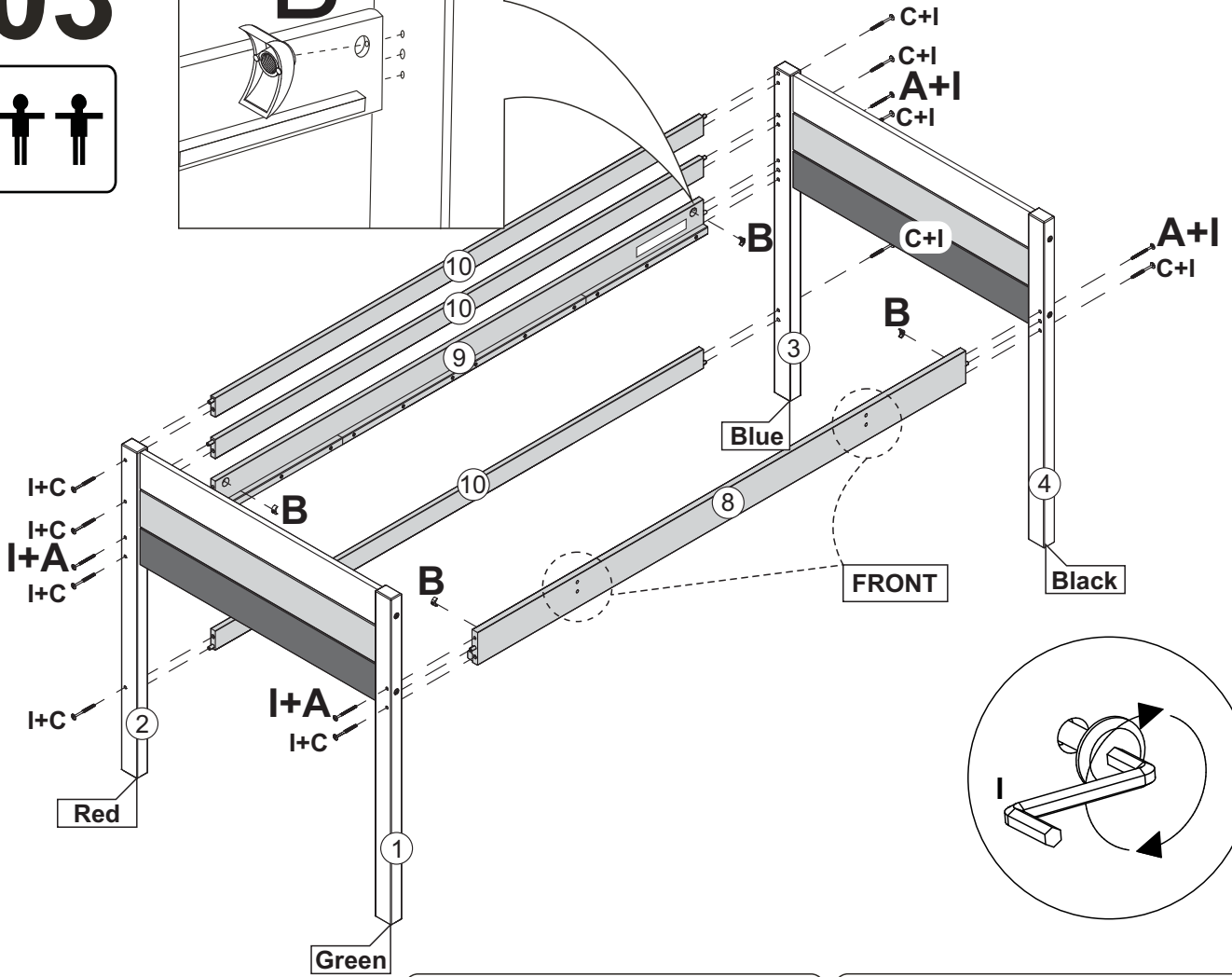
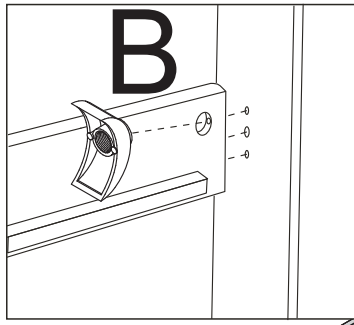
#7 Rustic White



D  Qty **08**
7,0 x 100 Screw

I  Qty **01**
Hex Screwdriver

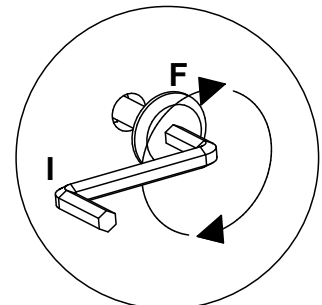
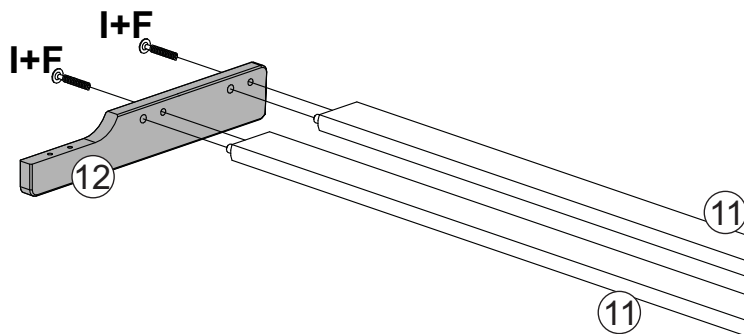
03



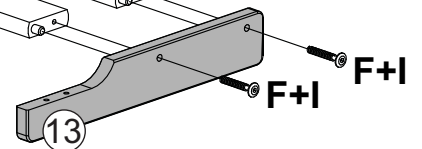
A		Qty 04
B		Qty 04
C		Qty 10

I		Qty 01
----------	--	------------------

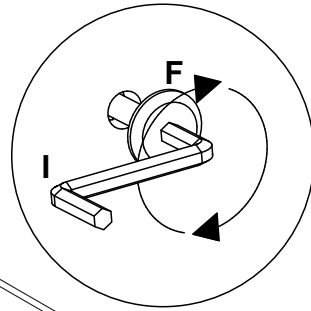
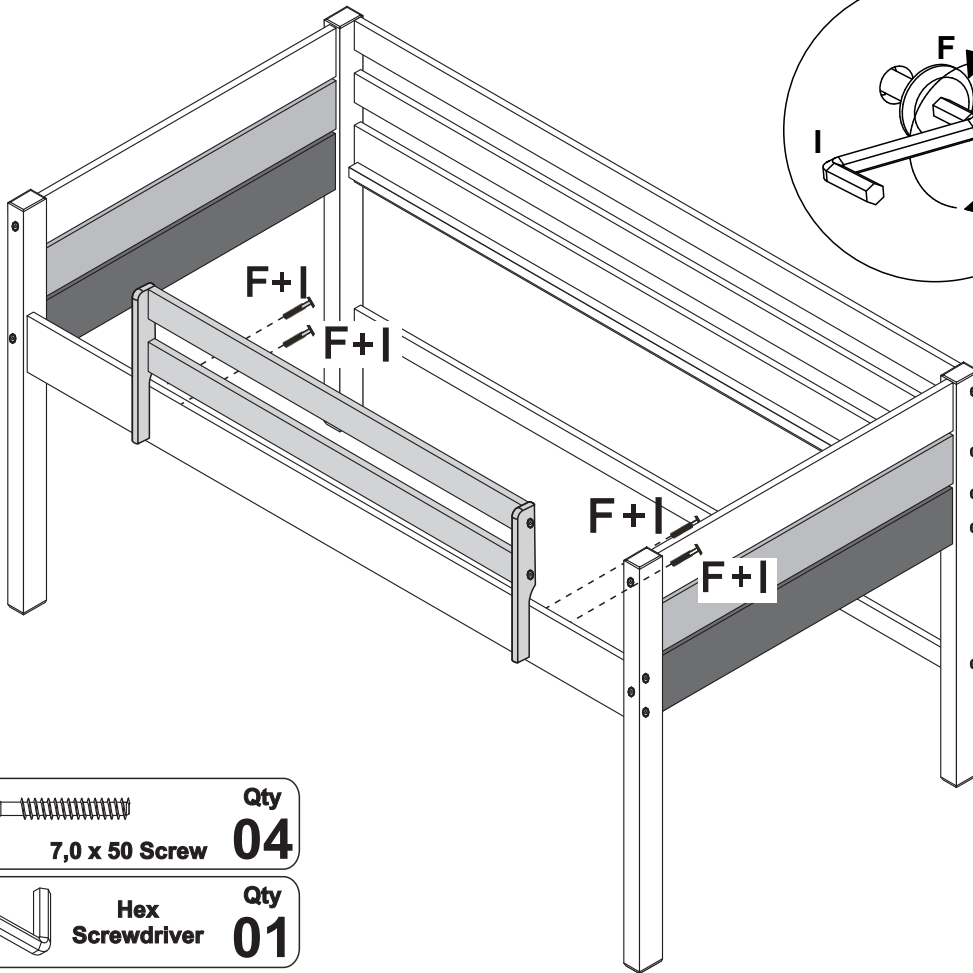
04 FRONT GUARDRAIL

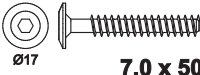
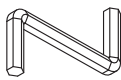


F		Qty 04
I		Qty 01



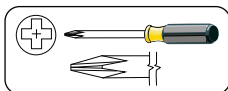
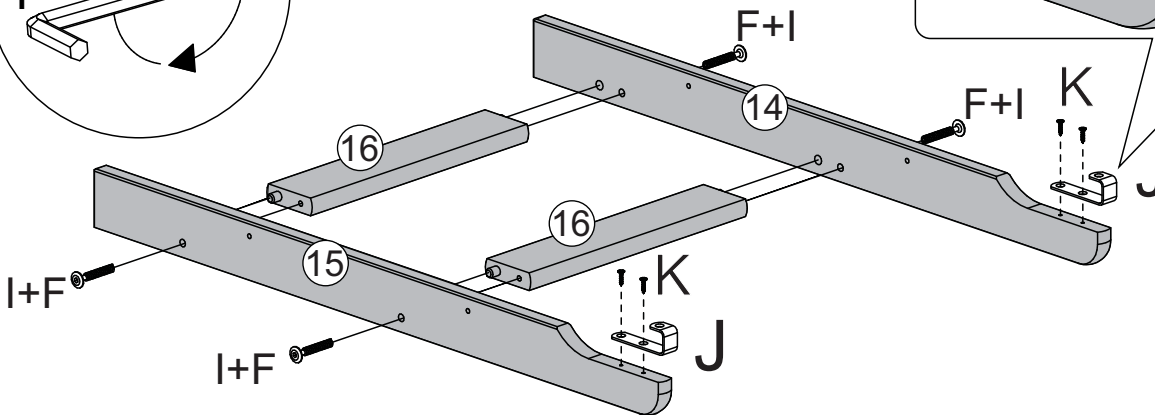
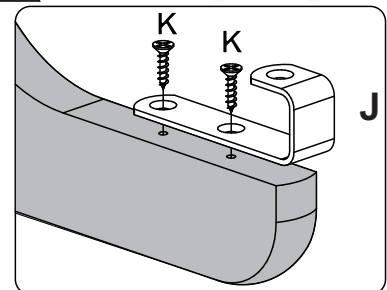
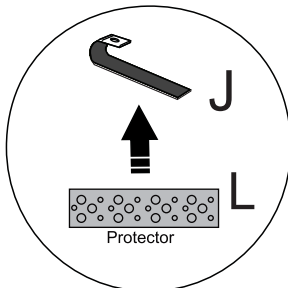
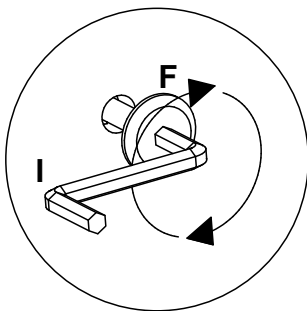
05

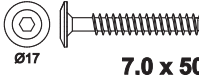


F		Qty 04
I		Qty 01

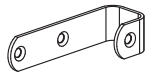
06 LADDER

PRE HOLES!



F		Qty 04
----------	---	------------------

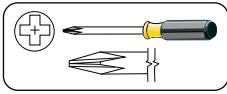
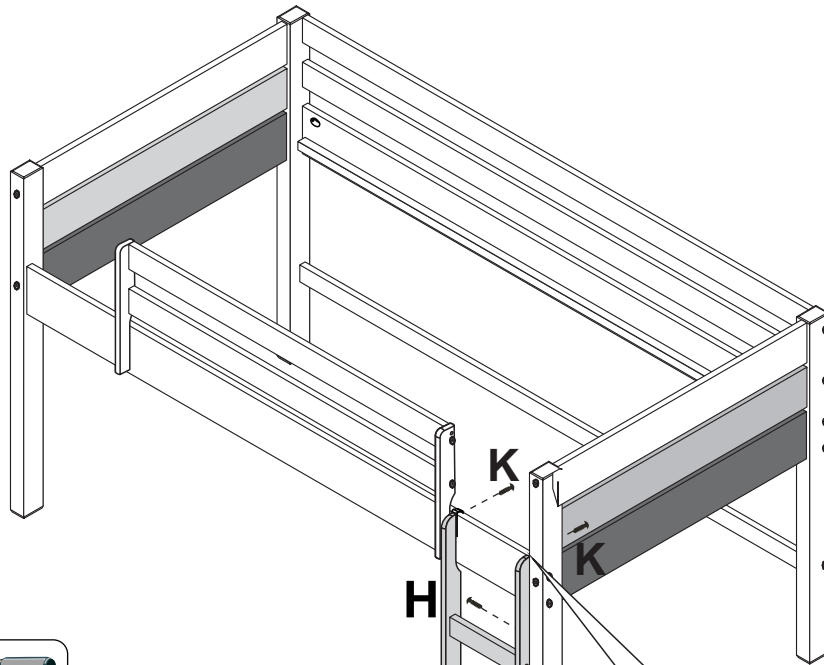
I		Qty 01
----------	---	------------------


J		Qty 02
----------	---	------------------


K		Qty 04
----------	---	------------------

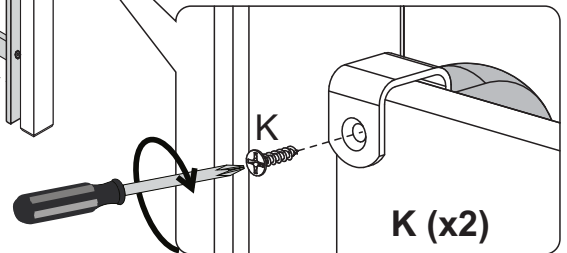
L		Qty 02
----------	---	------------------

07

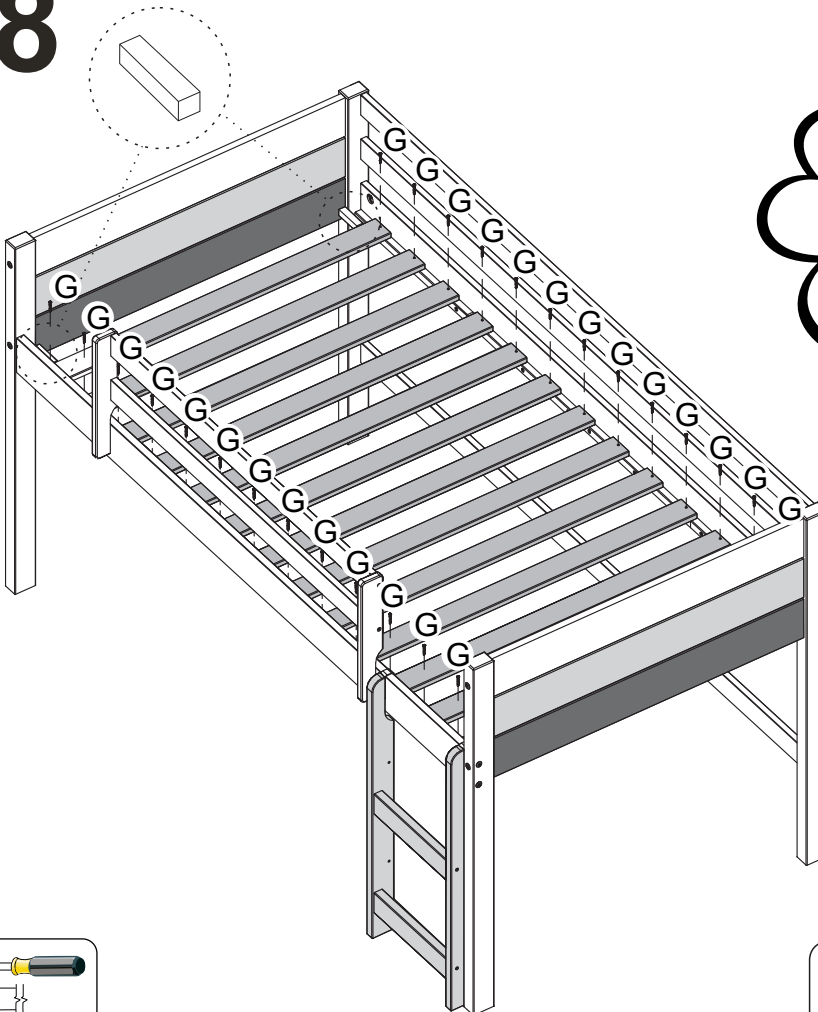


H  **4,0 x 40 Screw** Qty **02**

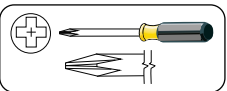
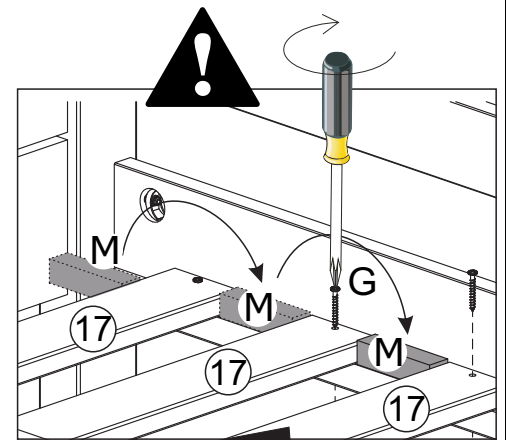
K  **4,0 x 20 Screw** Qty **02**




08



There must be at least 5" inches from top surface of mattress to top edge of guardrails.

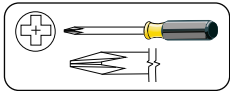
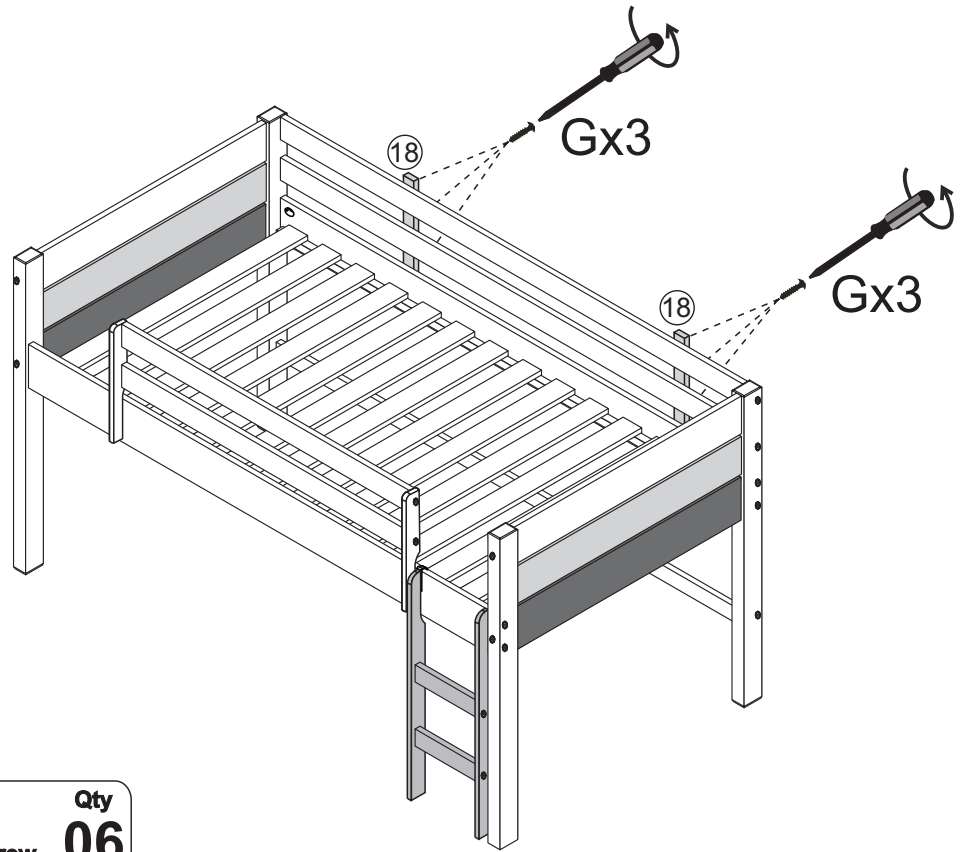



G  **4,0 x 30 Screw** Qty **26**

M  **Wooden spacer** Qty **02**

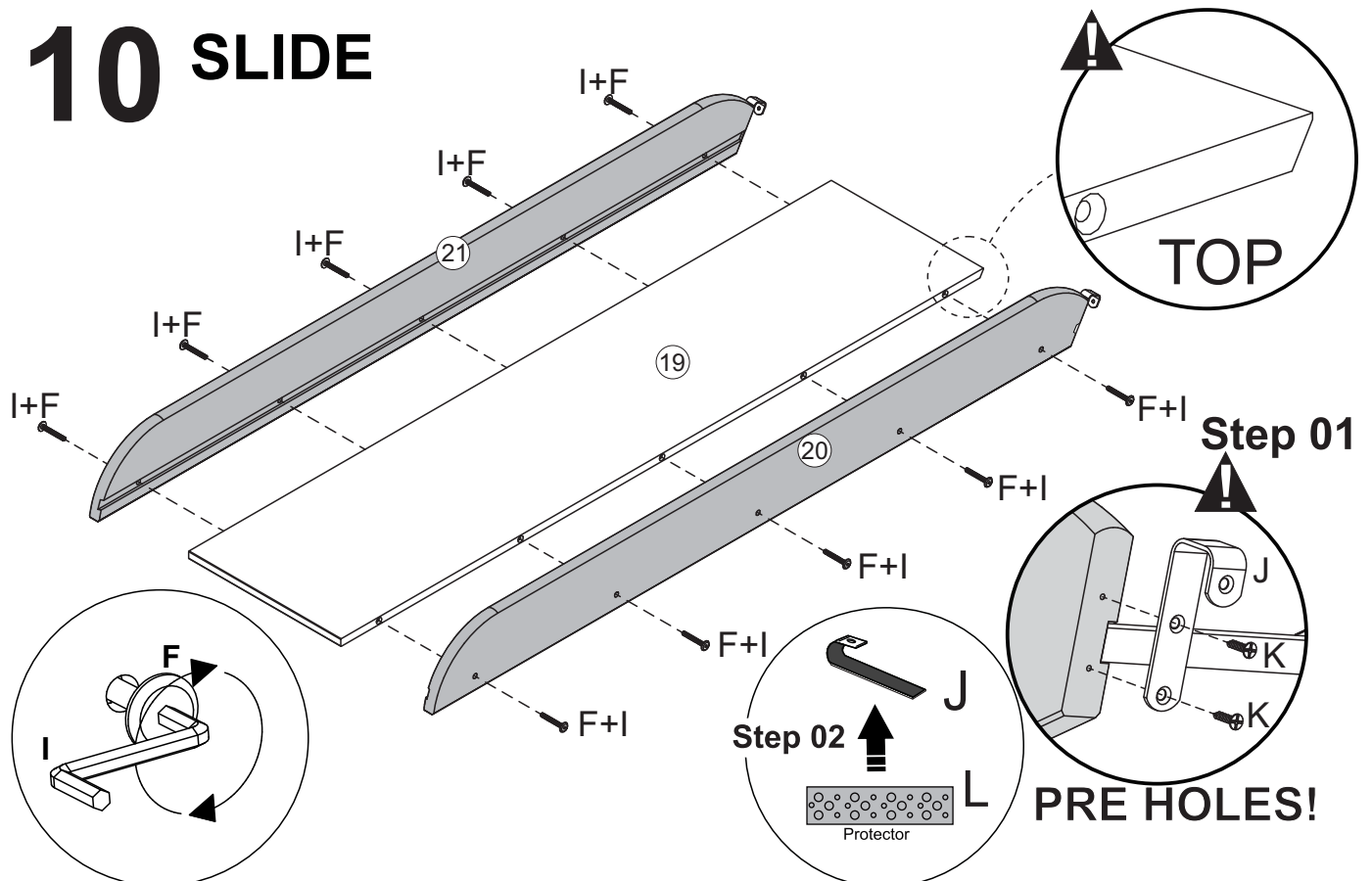
Before fixed the first slat use the hardware letter M to help define the space between each next slats.
Use 1 M on the left side rail and 1 M on the right side rail.


09



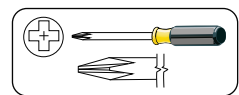
G  **Qty 06**
4,0 x 30 Screw

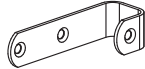
10 SLIDE




F  **Qty 10**
7,0 x 50 Screw

I  **Qty 01**
Hex Screwdriver






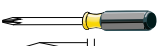
J  **Qty 02**
Hook Ladder

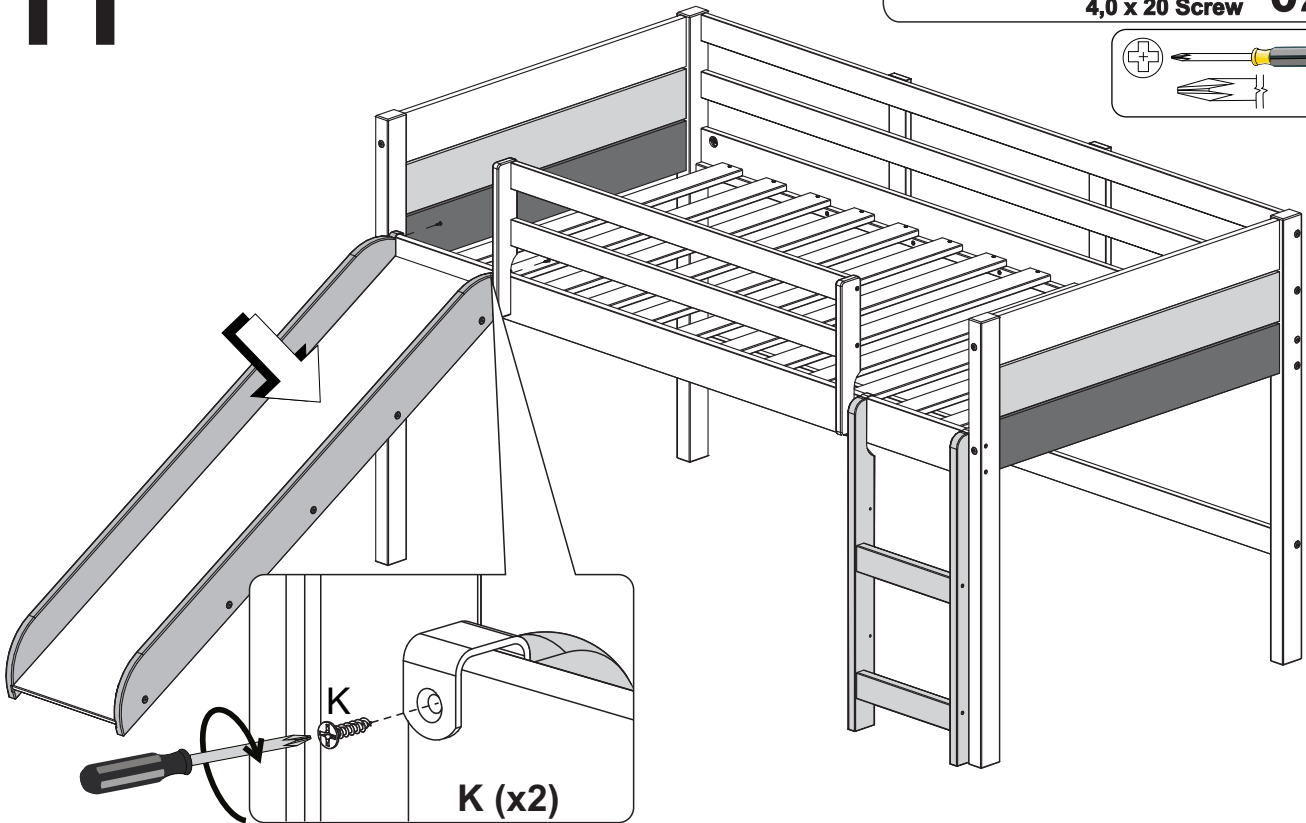
K  **Qty 04**
4,0 x 20 Screw

L  **Qty 02**
Protector

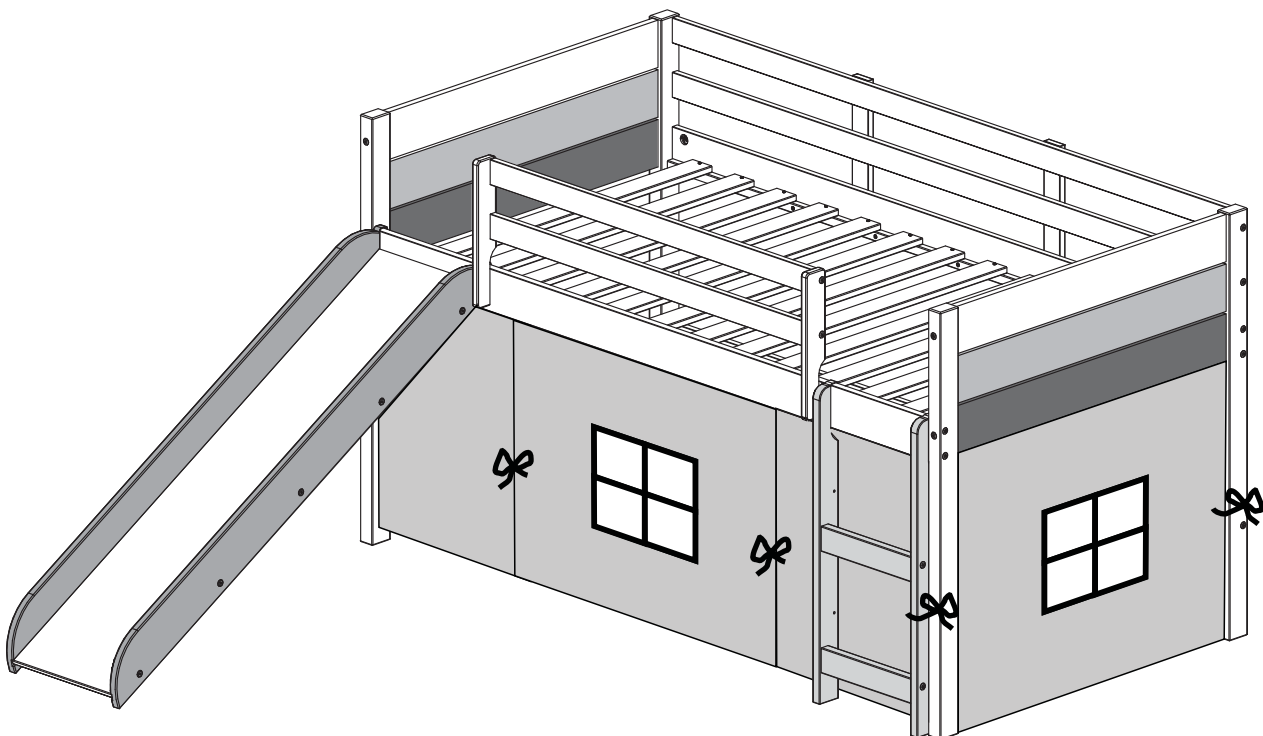
11

K   Qty **02**
4,0 x 20 Screw



OPTIONAL COMPONENTS



OPTION THE BED WITH TENT FABRIC