



# Designer Series Undercounter Wine Storage *Use and Care Guide*



CLEANING, MAINTENANCE,  
AND MORE



## Contents

- 2** Designer Series Undercounter Wine Storage
- 3** Safety Precautions
- 5** Designer Series Undercounter Wine Storage Features
- 6** Interactive Controls
- 8** Wine Storage
- 9** Care Recommendations
- 10** Troubleshooting
- 11** Sub-Zero Warranty

## Customer Care

The model and serial number are printed on the enclosed product registration card. Both numbers are also listed on the product rating plate. Refer to page 5 for rating plate location. For warranty purposes, you will also need the date of installation and name of your authorized Sub-Zero dealer. Record this information below for future reference.

### SERVICE INFORMATION

---

Model Number

---

Serial Number

---

Date of Installation

---

Certified Service Name

---

Certified Service Number

---

Authorized Dealer

---

Dealer Number

---

If your product ever needs attention, be sure to use a Sub-Zero Factory Certified Service provider recommended by our Customer Care Center, or select one from our list of providers available at [subzero.com/locator](http://subzero.com/locator). All Factory Certified Service providers are carefully selected and thoroughly trained by us.

### Important Note

To ensure this product is installed and operated as safely and efficiently as possible, take note of the following types of highlighted information throughout this guide:

**IMPORTANT NOTE** highlights information that is especially important.

**CAUTION** indicates a situation where minor injury or product damage may occur if instructions are not followed.

**WARNING** states a hazard that may cause serious injury or death if precautions are not followed.

**IMPORTANT NOTE:** Throughout this guide, dimensions in parentheses are millimeters unless otherwise specified.

## IMPORTANT INSTRUCTIONS

### ⚠ WARNING

**Do not store explosive substances such as aerosol cans with a flammable propellant in this appliance.**

### ⚠ WARNING

**Keep ventilation openings, in the appliance enclosure or in the built-in structure, clear of obstruction.**

### ⚠ WARNING

**Do not use mechanical devices or other means to accelerate the defrosting process, other than those recommended by the manufacturer.**

### ⚠ WARNING


**Do not expose this appliance to rain.**

### ⚠ WARNING

**This appliance is only intended for residential use.**

### IMPORTANT INSTRUCTIONS

#### WARNING

- This appliance contains flammable refrigerant and must be handled, installed, serviced, and decommissioned by authorized personnel. Once decommissioned, consult local authorities for disposal instructions.
- To minimize the risk of ignition due to improper installation, replacement parts, or service procedures, only refrigeration technicians with flammable refrigerant training who are aware of the dangers of dealing with high voltage electricity and refrigerant under pressure are allowed to work on this equipment.
- Do not damage the refrigeration circuit when installing, maintaining, or servicing the unit.
-  This symbol indicates risk of fire/flammable materials.

#### WARNING

This appliance is not intended for use by persons (including children) with reduced physical, sensory or mental capabilities, or lack of experience and knowledge, unless they have been given supervision or instruction concerning use of the appliance by a person responsible for their safety. Children should be supervised to ensure they do not play with the appliance.

#### WARNING

**DANGER:** Risk of child entrapment. Before you throw away your old refrigerator or freezer:

- Take off the doors.
- Leave the shelves and drawer dividers in place so that children may not easily climb inside.

#### WARNING

**PROPOSITION 65 FOR CALIFORNIA RESIDENTS**

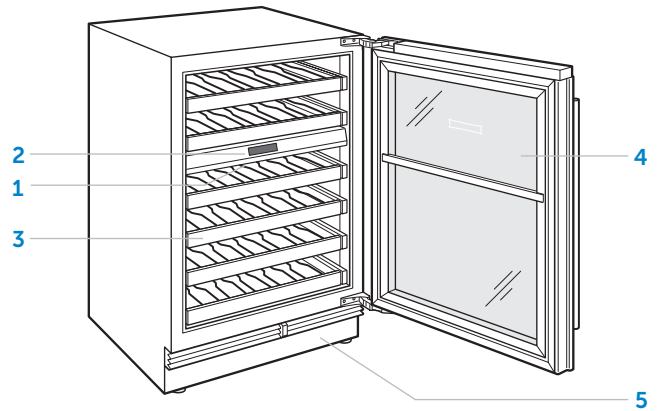
Cancer and Reproductive Harm—  
[www.P65Warnings.ca.gov](http://www.P65Warnings.ca.gov)

# Designer Series Undercounter Wine Storage Features

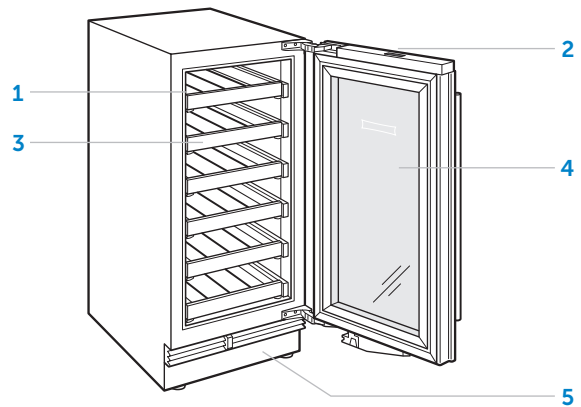
## Designer Series Undercounter Wine Storage Features

### FEATURES

- |   |                                    |
|---|------------------------------------|
| 1 | Product Rating Plate               |
| 2 | Interactive Control Panel          |
| 3 | Full-Extension Wine Racks          |
| 4 | Full-View, UV-Resistant Glass Door |
| 5 | Condenser (behind kickplate)       |



24" Undercounter wine storage



15" Undercounter wine storage

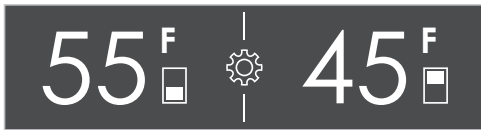
## Controls

For initial start-up, touch and hold ⓘ on the interactive control panel. Refer to the illustrations on the previous page for location of the control panel.

The temperature can be adjusted in one-degree increments. To adjust the temperature for a unit with two temperature zones, touch the temperature shown next to the corresponding zone icon. The temperature on the left of the display represents the lower zone and the temperature on the right represents the upper. Refer to the illustrations below.

### To adjust temperature:

- 1 Touch the temperature to be adjusted.
- 2 Touch + or – until the desired temperature is displayed.



Dual-zone wine storage display



Single-zone wine storage display

## SETTINGS

To access the Settings menu, touch ⚙ on the control panel display.

### SETTINGS

- ⓘ Turn the unit on or off
- ☀ Turn accent lighting on or off and adjust brightness and select soft on duration
- 🔔 Turn door alarm on or off and set duration
- 📶 Turn connect on or off
- ★ Turn Sabbath on or off
- °C/°F Adjust temperature units
- 🔊 Adjust alarm volume and tone
- 🌐 Select language
- 🔧 View troubleshooting and service information

## Connect This Appliance

Connect this appliance to remotely monitor and control it. Connecting requires a wireless router, an Internet connection with a network name and password, and a compatible mobile device. There is no limit to the number of appliances you can connect to an account. Connect products from multiple homes to the same account. Connecting appliances is optional.

### Connect today to:

- Receive alerts, status updates and routine maintenance notifications.
- Streamline everyday tasks with the help of remote controls and voice commands.
- Quickly access user manuals and cleaning and maintenance tips.

### To connect:

- 1 Download the free Sub-Zero Group Owner's App from the Apple App Store or Google Play.
- 2 With Bluetooth® enabled on the device, stand within a few feet of the appliance, open the app, and follow the on-screen instructions.
- 3 Log in or create an account.
- 4 Tap Add An Appliance or tap + in upper right of the screen to add appliances. To identify which appliance to pair, open the appliance door.
- 5 Tap + next to the appliance to select it. If identical appliances appear, an additional step identifies which appliance to pair.
- 6 Tap Pair Via Bluetooth®. Wait for setup to complete, then tap Set Up Your Appliance For Pairing.
- 7 Tap Choose a Network on the Connect Your Appliance to Wi-Fi screen.
- 8 Select the home Wi-Fi network and enter the network password.
- 9 Tap Turn on Notifications to allow notifications about the appliance (for example, door left ajar).
- 10 Tap Done on the Success screen to complete the setup.

## Wine Storage

### FULL-EXTENSION WINE RACKS

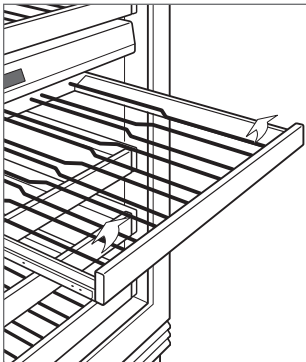
The full-extension wine racks provide easy access to 750 ml bottles, half-bottles, and magnums. When storing magnums, the rack above must be removed.

To remove a wine rack, pull out to full extension, tilt up, then lift up and out. Refer to the illustration below.

The natural cherrywood facing on wine racks can be stained or replaced with wood to complement cabinetry. For more information, refer to the Sub-Zero Design Guide, visit our website at [subzero.com](http://subzero.com), or contact Sub-Zero Customer Care at 800-222-7820.

#### ⚠ CAUTION

Remove all bottles from the wine rack before removal.





Wine rack removal

## Lighting



### SOFT ON LIGHTING

To adjust or turn off soft on lighting:

- 1 Touch .
- 2 Touch .
- 3 Touch 0, 2, or 4 seconds to select desired setting.

### ACCENT LIGHTING

To adjust or turn off accent lighting:

- 1 Touch .
- 2 Touch .
- 3 Touch Hi, Med, Lo, or Off to select desired setting.

## Sabbath

This appliance is certified by Star-K to meet strict religious regulations in conjunction with specific instructions found on [www.star-k.org](http://www.star-k.org).

Sabbath mode automatically turns on the interior lights at a reduced brightness. The lights stay on when the door is closed. The lights cannot be turned off in Sabbath mode.

Sabbath mode automatically turns off after 74 hours. All lighting preferences return to the previous setting when Sabbath mode is turned off.

To turn on Sabbath:

- 1 Touch .
- 2 Touch and hold  for 3 seconds.

To turn off Sabbath:

- 1 Touch and hold  for up to 10 seconds.



## Cleaning

### STAINLESS STEEL EXTERIOR

Use a nonabrasive stainless steel cleaner and apply with a soft lint-free cloth. To bring out the natural luster, lightly wipe the surface with a water-dampened microfiber cloth followed by a dry polishing chamois. Always follow the grain of stainless steel.

### INTERIOR CLEANING

To clean interior surfaces and all removable parts, wash with a mild solution of soap, water, and baking soda. Rinse and dry thoroughly. Avoid getting water on the lights, control panel, and cherrywood facing on wine racks.

Use a standard glass cleaner to clean the UV-resistant glass door.

#### ⚠ CAUTION

**Do not use vinegar, rubbing alcohol, or other alcohol-based cleaners on any interior surface.**

### VACATIONS

For extended vacations, turn power off at the control panel. Empty the unit and block doors open slightly to let fresh air in and keep the interior dry.

### CONDENSER CLEANING

#### ⚠ CAUTION

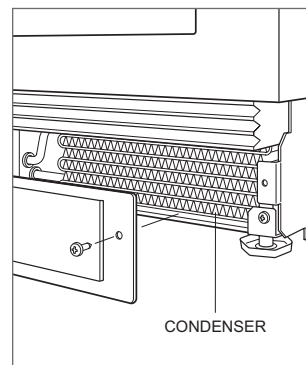
**Before cleaning the condenser, turn power off to the unit. Wear gloves to avoid injury from sharp condenser fins.**

The condenser is located at the bottom of the unit, behind the kickplate. Remove the kickplate by extracting the two mounting screws. Use a soft bristle brush and vacuum to remove dust and lint from the condenser. Clean the condenser every 6–12 months. Refer to the illustration below.

**IMPORTANT NOTE:** To avoid damaging the condenser fins, vacuum in the direction of the fins.

#### ⚠ CAUTION

**Failure to clean the condenser could result in temperature loss, mechanical failure, or damage.**



Condenser location

## Troubleshooting

### UNIT OPERATION

#### No lights or cooling.

- Verify power is on.
- Verify electrical power to the unit and home circuit breaker is on.

#### No lights.

- The door may have been left ajar, which has disabled lights to eliminate excess heat. If the lights are out, close the door for one hour. If the lights are still out, contact Sub-Zero Factory Certified Service.
- LED interior lighting must be replaced by Sub-Zero Factory Certified Service.

#### Condensation forms inside the unit.

- Verify the condenser is clean.
- Verify the door is closing properly.
- Verify the door has not been left ajar.
- Verify the door gasket does not have rips or tears. If it does, contact Sub-Zero Factory Certified Service.

#### High temperatures, the unit runs excessively or the unit is giving off too much heat.

- Verify the condenser is clean.
- Verify the door is closing properly.
- Verify the door has not been left ajar.
- Increased ambient temperatures may cause the compressor to run longer.
- If the temperature display shows 55°F and 45°F, but is not cooling, the unit may be in showroom mode. Contact Sub-Zero Customer Care at 800-222-7820.

### ODOR

- The unit should be cleaned before using for the first time. This will clear any odors that may have been trapped during shipping.

### SERVICE

- Maintain the quality built into your product by contacting Sub-Zero Factory Certified Service. For the name of the nearest Sub-Zero Factory Certified Service, check the Product Support section of our website, [subzero.com](http://subzero.com) or call Sub-Zero Customer Care at 800-222-7820.
- When contacting service, you will need the model and serial number of your unit. Both numbers are listed on the product rating plate. Refer to page 5 for rating plate location.
- For warranty purposes, you will also need the date of installation and name of your authorized Sub-Zero dealer. This information should be recorded on page 2 of this guide.

## Sub-Zero Residential Limited Warranty

### FOR RESIDENTIAL USE

#### FULL TWO YEAR WARRANTY\*

For two years from the date of original installation, this Sub-Zero product warranty covers all parts and labor to repair or replace, under normal residential use, any part of the product that proves to be defective in materials or workmanship. All service provided by Sub-Zero under the above warranty must be performed by Sub-Zero Factory Certified Service, unless otherwise specified by Sub-Zero, Inc. Service will be provided during normal business hours.

#### FULL FIVE YEAR SEALED SYSTEM WARRANTY

For five years from the date of original installation, this Sub-Zero product warranty covers all parts and labor to repair or replace, under normal residential use, these parts that prove to be defective in materials or workmanship: compressor, condenser, evaporator, drier and all connecting tubing. All service provided by Sub-Zero under the above warranty must be performed by Sub-Zero Factory Certified Service, unless otherwise specified by Sub-Zero, Inc. Service will be provided during normal business hours.

#### LIMITED TWELVE YEAR SEALED SYSTEM WARRANTY

For twelve years from the date of original installation, Sub-Zero will repair or replace the following parts that prove to be defective in materials or workmanship: compressor, condenser, evaporator, drier and all connecting tubing. If the owner uses Sub-Zero Factory Certified Service, the service provider will repair or replace these parts with the owner paying for all other costs, including labor. If the owner uses non-certified service, the owner must contact Sub-Zero, Inc. (using the information below) to receive repaired or replacement parts. Sub-Zero will not reimburse the owner for parts purchased from non-certified service or other sources.

#### TERMS APPLICABLE TO EACH WARRANTY

The warranty applies only to products installed for normal residential use. The warranty applies only to products installed in any one of the fifty states of the United States, the District of Columbia or the ten provinces of Canada. This warranty does not cover any parts or labor to correct any defect caused by negligence, accident or improper use, maintenance, installation, service or repair.

**THE REMEDIES DESCRIBED ABOVE FOR EACH WARRANTY ARE THE ONLY ONES THAT SUB-ZERO, INC. WILL PROVIDE, EITHER UNDER THIS WARRANTY OR UNDER ANY WARRANTY ARISING BY OPERATION OF LAW. SUB-ZERO, INC. WILL NOT BE RESPONSIBLE FOR ANY CONSEQUENTIAL OR INCIDENTAL DAMAGES ARISING FROM THE BREACH OF THIS WARRANTY OR ANY OTHER WARRANTY, WHETHER EXPRESS, IMPLIED OR STATUTORY.**

Some states do not allow the exclusion or limitation of incidental or consequential damages, so the above limitation or exclusion may not apply to you. This warranty gives you specific legal rights and you may also have other legal rights that vary from state to state.

To receive parts and/or service and the name of Sub-Zero Factory Certified Service nearest you, contact Sub-Zero, Inc., P.O. Box 44848, Madison, WI 53744; check the Product Support section of our website, [subzero.com](http://subzero.com), email us at [customerservice@subzero.com](mailto:customerservice@subzero.com), or call 800-222-7820.

\*Stainless steel (doors, panels, handles, product frames and interior surfaces) are covered by a limited 60-day parts and labor warranty for cosmetic defects.

\*Replacement water filters and air purification cartridges are not covered by the product warranty.



## Contenido

- 2** Almacenamiento de vinos bajo el mostrador de la Serie de Diseño
- 3** Precauciones de seguridad
- 5** Características del almacenamiento de vinos bajo el mostrador de la Serie de Diseño
- 6** Controles interactivos
- 8** Almacenamiento de vinos
- 9** Recomendaciones sobre el cuidado
- 10** Resolución de problemas
- 11** Garantía Sub-Zero

## Atención al cliente

El modelo y número de serie están impresos en la tarjeta de registro del producto adjunta. Ambos números también aparecen en la placa de datos del producto. Consulte en la página 5 la ubicación de la placa de datos. Para fines de la garantía, también necesitará la fecha de instalación y el nombre de su distribuidor autorizado de Sub-Zero. Guarde la siguiente información para consultas posteriores.

### INFORMACIÓN DE SERVICIO

---

Número de modelo

---

Número de serie

---

Fecha de la instalación

---

Nombre de servicio  
certificado

---

Número de servicio  
certificado

---

Distribuidor autorizado

---

Número de distribuidor

---

Si su producto alguna vez necesita servicio, use un proveedor de servicio certificado de fábrica de Sub-Zero y recomendado por nuestro centro de atención al cliente, o seleccione uno de nuestra lista de proveedores disponibles en [subzero.com/locator](http://subzero.com/locator). Nosotros cuidadosamente seleccionamos y rigurosamente capacitamos a todos los proveedores de servicios certificados.

### Aviso importante

Para garantizar que este producto se instale y opere de la forma más segura y eficiente posible, tome nota de los siguientes tipos de información resaltada en este manual:

**AVISO IMPORTANTE** señala la información que es especialmente importante.

**PRECAUCIÓN** indica una situación en la que se pueden sufrir heridas leves o provocar daños al producto si no se siguen las instrucciones.

**ADVERTENCIA** indica peligro de que se produzcan heridas graves o incluso la muerte si no se siguen las precauciones.

**AVISO IMPORTANTE:** En toda esta guía, las dimensiones entre paréntesis son milímetros, a menos que se especifique lo contrario.

## INSTRUCCIONES IMPORTANTES

### ▲ ADVERTENCIA

**No almacene sustancias explosivas, tales como latas de aerosol con un propulsor inflamable en este electrodoméstico.**

### ▲ ADVERTENCIA

**Mantenga las aberturas de ventilación despejadas, en el revestimiento del electrodoméstico o en la estructura empotrada, sin obstrucciones.**

### ▲ ADVERTENCIA

**No utilice dispositivos mecánicos u otros medios para acelerar el proceso de descongelación, salvo los recomendados por el fabricante.**

### ▲ ADVERTENCIA


**No exponga el electrodoméstico a la lluvia.**

### ▲ ADVERTENCIA

**Este electrodoméstico es exclusivamente para uso residencial.**

## INSTRUCCIONES IMPORTANTES

### ▲ ADVERTENCIA

- Este aparato contiene refrigerante inflamable y debe ser manipulado, instalado, reparado y retirado del servicio por personal autorizado. Una vez desmantelado, consulte a las autoridades locales para obtener instrucciones de deshecho.
- Para minimizar el riesgo de ignición debido a una instalación, piezas de repuesto o procedimientos de servicio inadecuados, sólo se permite trabajar en este equipo a los técnicos en refrigeración con formación en refrigerantes inflamables que sean conscientes de los peligros de tratar con electricidad de alto voltaje y refrigerante bajo presión.
- No dañe el circuito de refrigeración al instalar, mantener o reparar la unidad.
-  Este símbolo indica riesgo de incendio/material ignífugo.

### ▲ ADVERTENCIA

Este electrodoméstico no está indicado para que lo usen personas con capacidades físicas, sensoriales o mentales reducidas o que carezcan de experiencia o conocimiento, a menos que una persona responsable de su seguridad los supervise o le haya dado instrucciones sobre el uso del electrodoméstico. Se debe supervisar a los niños para garantizar que no jueguen con el electrodoméstico.

### ▲ ADVERTENCIA

**PELIGRO:** Riesgo de atrapamiento de un niño. Antes de que se deshaga de su refrigerador o congelador viejo:

- Retire las puertas.
- Deje los estantes y divisores de cajones en su lugar para que los niños no se metan dentro fácilmente.

### ▲ ADVERTENCIA

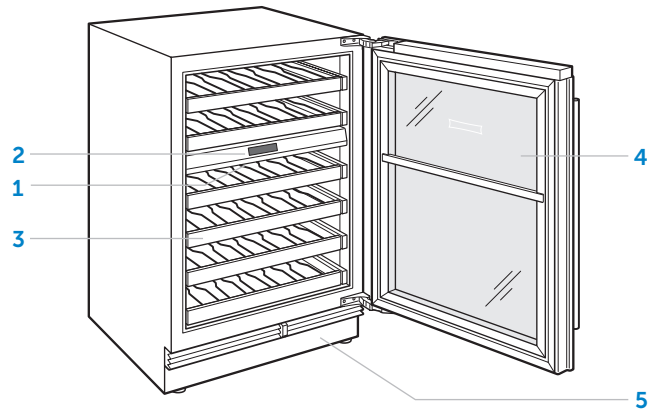
**PROPOSICIÓN 65 PARA LOS RESIDENTES DE CALIFORNIA**

Cáncer y daño reproductivo:  
[www.P65Warnings.ca.gov](http://www.P65Warnings.ca.gov)

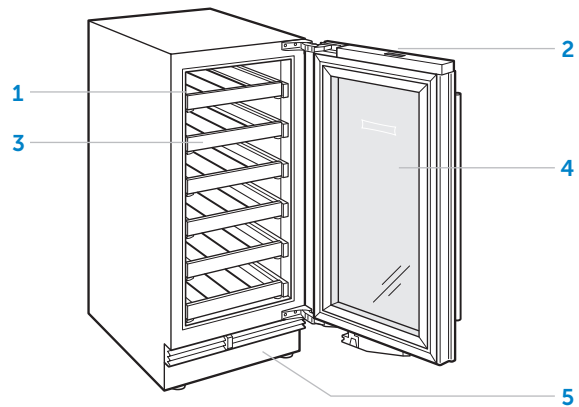
## Características del almacenamiento de vinos bajo el mostrador de la Serie de Diseño

### CARACTERÍSTICAS

- |   |  |
|---|--|
| 1 | Placa de datos del producto                                |
| 2 | Panel de control interactivo                               |
| 3 | Rejillas de extensión completa para almacenar el vino      |
| 4 | Puerta de vidrio resistente a los rayos UV, vista completa |
| 5 | Condensador (detrás del zócalo)                            |



Almacenamiento de vino debajo del mostrador de 24"



Almacenamiento de vino debajo del mostrador de 15"

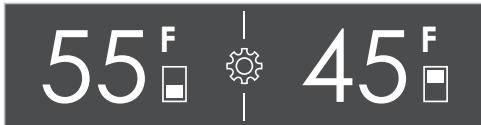
## Controles

Para la puesta en marcha inicial, pulse y mantenga presionado ⓘ en el panel de control interactivo. Consulte las ilustraciones de la página anterior para conocer la ubicación del panel de control.

Las temperaturas pueden ajustarse en incrementos de un grado. Para ajustar la temperatura para una unidad con dos zonas de temperatura, presione la temperatura que se muestra junto al ícono de la zona correspondiente. La temperatura al lado izquierdo de la pantalla representa la zona inferior y la temperatura a la derecha representa la zona superior. Revise las siguientes ilustraciones.

### Para ajustar la temperatura:

- 1 Pulse la temperatura para ajustarla.
- 2 Pulse + o – hasta que muestre la temperatura deseada.



Pantalla del almacenamiento de vinos de doble zona



Pantalla del almacenamiento de vinos de una zona

## CONFIGURACIÓN

Para acceder al menú de configuración, presione ⚙ en la pantalla del panel de control.

### CONFIGURACIÓN

ⓘ	Enciende o apaga la unidad
☀	Enciende o apaga la luz de acento y ajusta el brillo y selecciona suave en duración
🔔	Enciende o apaga la alarma y fija duración
📶	Activa conectarse o desconectarse
★	Activa o desactiva el modo Sabbath
°C/°F	Ajusta las unidades de temperatura
🔊	Ajusta el volumen y el tono de la alarma
🌐	Selecciona el idioma
🔧	Vea cómo solucionar problemas y la información del servicio técnico



## Cómo conectar este electrodoméstico

Conecte este electrodoméstico para monitorearlo y controlarlo remotamente. Para conectarlo se requiere un enrutador inalámbrico, una conexión a Internet con un nombre de la red y una contraseña, y un dispositivo móvil compatible. No hay límite para el número de electrodomésticos que usted puede conectar a una cuenta. Conecte los productos de múltiples hogares a la misma cuenta. Conectar los electrodomésticos es opcional.

### Conéctese hoy a:

- Reciba alertas, actualizaciones de estado y notificaciones de mantenimiento de rutina.
- Optimice las tareas diarias con la ayuda de controles remotos y comandos de voz.
- Acceda rápidamente a manuales de usuario y consejos de limpieza y mantenimiento.

### Para conectar:

- 1 Descargue la aplicación gratuita de Sub-Zero Group Owner de Apple App Store o Google Play.
- 2 Active la función de Bluetooth® en el dispositivo, ubíquese a poca distancia del electrodoméstico, abra la aplicación y siga las instrucciones de la pantalla.
- 3 Inicie sesión o cree una cuenta.
- 4 Pulse Add An Appliance (Agregar un electrodoméstico) o pulse + en la parte superior derecha de la pantalla para agregar electrodomésticos. Para identificar cuál electrodoméstico emparejar, abra la puerta del electrodoméstico,
- 5 Pulse + al lado del electrodoméstico para seleccionarlo. Si aparecen electrodomésticos idénticos, un paso adicional identificará cuál electrodoméstico emparejar.
- 6 Pulse Pair Via Bluetooth® (Emparejar por medio de Bluetooth). Espere hasta que se complete la configuración, y luego pulse Set Up Your Appliance For Pairing (Configurar su electrodoméstico para emparejamiento).
- 7 Pulse Choose a Network (Elegir una red) en la pantalla Connect Your Appliance to Wi-Fi (Conectar su electrodoméstico a Wi-Fi).
- 8 Seleccione la red de Wi-Fi de la casa e introduzca la contraseña de la red.
- 9 Pulse Turn on Notifications (Activar notificaciones) para permitir las notificaciones sobre el electrodoméstico (por ejemplo, door left ajar (puerta parcialmente abierta)).
- 10 Pulse Done (Listo) en la pantalla Success (Éxito) para completar la configuración.

## Almacenamiento de vinos

### REJILLAS DE EXTENSIÓN COMPLETA PARA ALMACENAR EL VINO

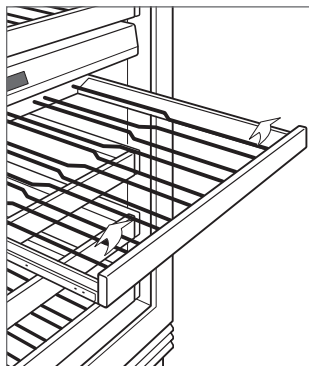
Las rejillas de extensión completa para almacenar el vino permiten un fácil acceso a botellas de 750 ml, medias botellas y magnas. Cuando se almacenen botellas magnas (dobles) se debe retirar la rejilla superior.

Para retirar una rejilla para almacenar vinos, extiéndala completamente, inclínela hacia arriba, luego levántela hacia arriba y hacia fuera. Consulte la siguiente ilustración.

El revestimiento de madera de cerezo en las rejillas para almacenar vinos se puede sellar o reemplazar con madera para complementar los gabinetes. Para más información, consulte la guía de diseños de Sub-Zero, visite nuestra página de Internet en [subzero.com](http://subzero.com) o comuníquese con la línea de atención al cliente de Sub-Zero al 800-222-7820.

#### ⚠ PRECAUCIÓN

Retire todas las botellas de la rejilla para almacenar vinos antes de quitarla.





Retiro de la rejilla para almacenar vinos

## Iluminación



### ILUMINACIÓN SUAVE

Para ajustar o apagar la iluminación suave:

- 1 Presione .
- 2 Presione .
- 3 Presione 0, 2 o 4 segundos para seleccionar la configuración deseada.

### LUCES DE ACENTO

Para ajustar o apagar la iluminación de acento:

- 1 Presione .
- 2 Presione .
- 3 Presione Hi (alto), Med (medio), Lo (bajo) o Off (apagado) para seleccionar la configuración deseada.


## Sabbath

Este electrodoméstico lleva el certificado Star-K que indica que cumple con estrictas normas religiosas junto con instrucciones específicas que aparecen en [www.star-k.org](http://www.star-k.org).

El modo Sabbath enciende automáticamente las luces interiores con un brillo reducido. Las luces permanecen encendidas cuando la puerta está cerrada. Las luces no se pueden apagar en el modo Sabbath.

El modo Sabbath se apaga automáticamente después de 74 horas. Todas las preferencias de iluminación vuelven a la configuración anterior cuando se apaga el modo Sabbath.

Para activar el Sabbath:

- 1 Presione .
- 2 Pulse y mantenga pulsado  durante 3 segundos.

Para apagar el Sabbath:

- 1 Pulse y mantenga pulsado  durante un máximo de 10 segundos.

## Limpeza

### EXTERIOR DE ACERO INOXIDABLE

Utilice un limpiador no abrasivo para acero inoxidable y aplique con un paño suave que no deje pelusa. Para resaltar el lustre natural, limpie suavemente la superficie con una tela de microfibra humedecida con agua y, luego, pule en seco con una gamuza. Siempre siga la dirección del acabado del acero inoxidable.

### LIMPIEZA INTERIOR

Para limpiar las superficies internas y todas las piezas móviles, lave con una disolución suave de jabón, agua y bicarbonato de sodio. Enjuague y seque completamente. Evite que caiga agua sobre las luces, el panel de control y la madera de cerezo de la cara de las rejillas para vinos.

Utilice un limpiador de cristales estándar para limpiar el cristal de la puerta resistente a los rayos ultravioleta.

#### ⚠ PRECAUCIÓN

**No use vinagre, alcohol ni otros limpiadores a base de alcohol en ninguna superficie interna.**

### VACACIONES

Para vacaciones prolongadas, apague la unidad desde el panel de control. Vacíe la unidad y deje las puertas ligeramente abiertas para permitir la entrada de aire fresco y que el interior se mantenga seco.

### LIMPIEZA DEL CONDENSADOR

#### ⚠ PRECAUCIÓN

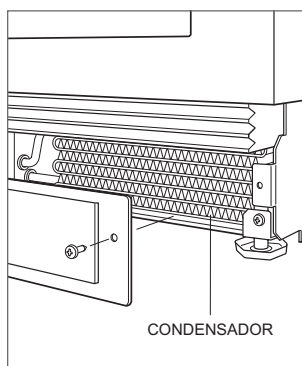
**Antes de limpiar el condensador, apague la unidad. Utilice guantes para evitar que las aletas afiladas del condensador puedan provocarle heridas.**

El condensador se encuentra en la parte baja de la unidad, detrás del zócalo. Para quitar el zócalo extraiga los dos tornillos para montaje. Use un cepillo de cerdas suaves y aspiradora para quitar el polvo y pelusa del condensador. Limpie el condensador cada 6 a 12 meses. Consulte la siguiente ilustración.

**AVISO IMPORTANTE:** Para evitar daños a las aletas del condensador, asegúrese de aspirar en dirección de las aletas.

#### ⚠ PRECAUCIÓN

**Si no lo limpia, el condensador puede perder la temperatura o puede producirse un daño o falla mecánica en dicho condensador.**



Ubicación del condensador

## Solución de problemas

### OPERACIÓN DE LA UNIDAD

#### Las luces no funcionan o no enfría.

- Compruebe si la energía está encendida.
- Compruebe si llega corriente eléctrica a la unidad y si el disyuntor de la casa está encendido.

#### Sin luces.

- La puerta tal vez se dejó ligeramente abierta, lo cual desactivó las luces para eliminar el exceso de calor. Si las luces están apagadas, mantenga la puerta cerrada durante una hora. Si las luces aún permanecen apagadas, póngase en contacto con el servicio certificado de fábrica de Sub-Zero.
- El servicio certificado de fábrica de Sub-Zero debe reemplazar la luz LED interior.

#### Se forma condensación dentro de la unidad.

- Compruebe si el condensador está limpio.
- Compruebe si la puerta cierra correctamente.
- Compruebe que la puerta no se haya quedado abierta.
- Compruebe que el empaque de la puerta no tenga rasgaduras ni roturas. En tal caso, póngase en contacto con el servicio certificado de fábrica de Sub-Zero.

#### A altas temperaturas, la unidad funciona en exceso o la unidad emite demasiado calor.

- Compruebe si el condensador está limpio.
- Compruebe si la puerta cierra correctamente.
- Compruebe que la puerta no se haya quedado abierta.
- El aumento de la temperatura ambiente puede causar que el compresor funcione durante más tiempo.
- Si la pantalla muestra una temperatura de 55°F y 45°F, pero no enfría, es posible que la unidad esté en modo de sala de exposición. Comuníquese con la línea de atención al cliente de Sub-Zero al 800-222-7820.

### OLOR

- Se debe limpiar la unidad antes de utilizarla por primera vez. Esto eliminará todos los olores que hayan quedado atrapados durante el envío.

### SERVICIO

- Para mantener la calidad de su producto, póngase en contacto con el servicio certificado de fábrica de Sub-Zero. Para obtener los datos del servicio certificado de fábrica de Sub-Zero más cercano, eche un vistazo a la sección de contacto y servicio técnico en nuestro sitio web, [subzero.com](http://subzero.com) o llame a la línea de atención al cliente de Sub-Zero al 800-222-7820.
- Al comunicarse con el servicio, necesitará el modelo y número de serie de su unidad. Los dos números aparecen en la placa de datos del producto. Consulte en la página 5 la ubicación de la placa de datos.
- Para fines de la garantía, también necesitará la fecha de instalación y el nombre de su distribuidor autorizado de Sub-Zero. Esta información debe estar registrada en la página 2 de este manual.

## Garantía limitada residencial de Sub-Zero

### PARA USO RESIDENCIAL

#### GARANTÍA COMPLETA DE DOS AÑOS\*

Durante dos años a partir de la fecha de la instalación original, la garantía de su producto Sub-Zero cubre todos los repuestos y mano de obra para reparar o cambiar, bajo el uso residencial normal, cualquier parte del producto que se compruebe estar defectuosa en material o mano de obra. Todos los servicios proporcionados por Sub-Zero bajo la garantía anterior deben ser realizados por servicios certificados de fábrica de Sub-Zero, a menos que Sub-Zero Inc. lo especifique de otra manera. El Servicio se hará durante el horario comercial normal.

#### GARANTÍA COMPLETA DE CINCO AÑOS SOBRE EL SISTEMA CERRADO

Durante cinco años a partir de la fecha de la instalación original, la garantía de Sub-Zero cubre todos los repuestos y mano de obra para reparar o cambiar, bajo el uso residencial normal, cualquiera de estos componentes que se compruebe estar defectuoso en material o mano de obra: compresor, condensador, evaporador, secador y toda la tubería de conexión. Todos los servicios proporcionados por Sub-Zero bajo la garantía anterior deben ser realizados por servicios certificados de fábrica de Sub-Zero, a menos que Sub-Zero Inc. lo especifique de otra manera. El Servicio se hará durante el horario comercial normal.

#### GARANTÍA LIMITADA DE DOCE AÑOS SOBRE EL SISTEMA CERRADO

Durante doce años a partir de la fecha de la instalación original, Sub-Zero reparará o cambiará los siguientes componentes que se compruebe están defectuosos en material o mano de obra: compresor, condensador, evaporador, secador y toda la tubería de conexión. Si el propietario usa el servicio certificado de fábrica de Sub-Zero, el prestador del servicio reparará o cambiará estas piezas mediante el pago de todos los demás costos, incluyendo la mano de obra, a cargo del propietario. Si el propietario usa un servicio no certificado, debe ponerse en contacto con Sub-Zero, Inc. (mediante la información anotada más adelante) para recibir los componentes reparados o de reemplazo. Sub-Zero no reembolsará al propietario los importes correspondientes a componentes comprados a un servicio no certificado o a otras fuentes.

#### TÉRMINOS APLICABLES A CADA GARANTÍA

La garantía se aplica solamente a los productos instalados para uso residencial normal. La garantía se aplica solamente a los productos instalados en cualquiera de los cincuenta estados de Estados Unidos, el Distrito de Columbia o las diez provincias de Canadá. Esta garantía no cubre las partes o mano de obra para corregir cualquier defecto causado por negligencia, accidente o uso, mantenimiento, instalación, servicio o reparación inadecuados.

**LOS RECURSOS DESCRITOS ANTERIORMENTE PARA CADA GARANTÍA SON LOS ÚNICOS QUE SUB-ZERO, INC. PROPORCIONARÁ, YA SEA BAJO ESTA GARANTÍA O BAJO CUALQUIER GARANTÍA QUE RESULTE DE LA APLICACIÓN DE LA LEY. SUB-ZERO, INC. NO SE HACE RESPONSABLE POR LOS DAÑOS INDIRECTOS O INCIDENTALES DERIVADOS DEL INCUMPLIMIENTO DE ESTA GARANTÍA O CUALQUIER OTRA GARANTÍA, YA SEA EXPRESA, IMPLÍCITA O LEGAL.**

Algunos estados no permiten la exclusión o limitación de daños incidentales o consecuentes, por lo tanto la limitación o exclusión anterior podrían no aplicarse en su caso. Esta garantía le otorga derechos legales específicos y usted también puede tener otros derechos legales que varían entre estados.

Para recibir los repuestos y/o el servicio y el nombre del servicio certificado de fábrica de Sub-Zero más cercano a usted, póngase en contacto con Sub-Zero, Inc., P.O. Box 44848, Madison, WI 53744; Verifique la sección de Soporte de productos de nuestro sitio web, [subzero.com](http://subzero.com), envíenos un correo electrónico a [customerservice@subzero.com](mailto:customerservice@subzero.com) o llame al 800-222-7820.

\*Las puertas, paneles, asas, marcos y superficies internas de acero inoxidable están cubiertas por una garantía limitada de 60 días para repuestos y mano de obra, por defectos cosméticos.

\*Los filtros de agua de repuesto y los cartuchos de purificación de agua no están cubiertos por la garantía del producto.



## Table des matières

- 2** Cellier à vins sous le comptoir série Concepteur
- 3** Précautions de sécurité
- 5** Caractéristiques du cellier à vins sous le comptoir série Concepteur
- 6** Commandes interactives
- 8** Cellier à vins
- 9** Recommandations d'entretien
- 10** Dépannage
- 11** Garantie Sub-Zero

## Service à la clientèle

Le numéro de modèle et le numéro de série sont imprimés sur la fiche d'enregistrement du produit ci-jointe. Les deux numéros sont aussi indiqués sur la plaque signalétique du produit. Reportez-vous à la page 5 pour connaître l'emplacement de la plaque signalétique. Pour les besoins de la garantie, vous devrez aussi avoir la date d'installation et le nom de votre dépositaire Sub-Zero autorisé. Inscrivez ces renseignements ci-dessous pour consultation ultérieure.

### RENSEIGNEMENTS SUR LE SERVICE

---

Numéro de modèle

---

Numéro de série

---

Date de l'installation

---

Nom du service certifié

---

Numéro du service certifié

---

Dépositaire autorisé

---

Numéro du dépositaire

---

Si votre produit a besoin d'être réparé, assurez-vous d'utiliser un fournisseur de service certifié par l'usine Sub-Zero recommandé par notre centre de service à la clientèle, ou sélectionnez-en un parmi la liste de fournisseurs disponibles à [subzero.com/locator](http://subzero.com/locator). Tous les fournisseurs de service certifiés par l'usine sont soigneusement sélectionnés et rigoureusement formés par nous.

### Remarque importante

Pour s'assurer que ce produit est installé et utilisé en toute sécurité et aussi efficacement que possible, prenez note des types de renseignement mis en évidence tout au long de ce guide :

**REMARQUE IMPORTANTE** met en évidence des renseignements qui sont particulièrement importants.

**MISE EN GARDE** indique une situation où une blessure mineure ou des dommages au produit peuvent se produire si les directives ne sont pas respectées.

**AVERTISSEMENT** décrit un danger qui peut causer une blessure grave ou la mort si les précautions ne sont pas respectées.

**REMARQUE IMPORTANTE** : Tout au long de ce guide, les dimensions entre parenthèses sont en millimètres à moins d'indication contraire.

## DIRECTIVES IMPORTANTES

### ▲ AVERTISSEMENT

**Ne rangez pas des substances explosives, comme des bombes aérosols avec un gaz inflammable, dans cet appareil.**

### ▲ AVERTISSEMENT

**Gardez les ouvertures de ventilation, dans le boîtier de l'appareil ou dans la structure intégrée, libres de toute obstruction.**

### ▲ AVERTISSEMENT

**N'utilisez pas des dispositifs mécaniques ou d'autres méthodes pour accélérer le processus de dégivrage, autres que ceux qui sont recommandés par le fabricant.**

### ▲ AVERTISSEMENT

**N'exposez pas cet appareil à la pluie.**

### ▲ AVERTISSEMENT

**Cet appareil électroménager n'est conçu que pour une utilisation résidentielle.**

## DIRECTIVES IMPORTANTES

### ▲ AVERTISSEMENT

- Cet appareil contient un réfrigérant inflammable et il doit être manipulé, installé, entretenu et mis hors de service par un personnel autorisé. Une fois mis hors de service, consultez les autorités locales pour obtenir des directives sur l'élimination.
- Pour minimiser le risque d'allumage en raison d'une installation, de pièces de rechange ou de procédures d'entretien inappropriées, seuls des techniciens en réfrigération ayant suivi une formation sur les réfrigérants inflammables qui connaissent les dangers associés à l'électricité haute tension et au réfrigérant sous pression peuvent travailler sur cet appareil.
- N'endommagez pas le circuit de réfrigération lors de l'installation, l'entretien ou la réparation de l'unité.
-  Ce symbole indique un risque d'incendie/de matériaux inflammables.

### ▲ AVERTISSEMENT

Cet appareil n'a pas été conçu pour être utilisé par des personnes dont les capacités physiques, sensorielles ou intellectuelles sont réduites, ou par des personnes manquant d'expérience ou de connaissances, à moins d'être supervisées ou d'avoir reçu des directives concernant l'utilisation de l'appareil par une personne responsable de leur sécurité. Les enfants doivent être supervisés pour s'assurer qu'ils ne jouent pas avec l'appareil.

### ▲ AVERTISSEMENT

**DANGER.** Risque de piégeage pour les enfants. Avant d'éliminer votre ancien réfrigérateur ou congélateur :

- Retirez les portes.
- Laissez les tablettes et les séparateurs de tiroir en place afin que les enfants ne puissent pas y pénétrer facilement.

### ▲ AVERTISSEMENT

**PROPOSITION 65 POUR LES RÉSIDENTS DE LA CALIFORNIE**

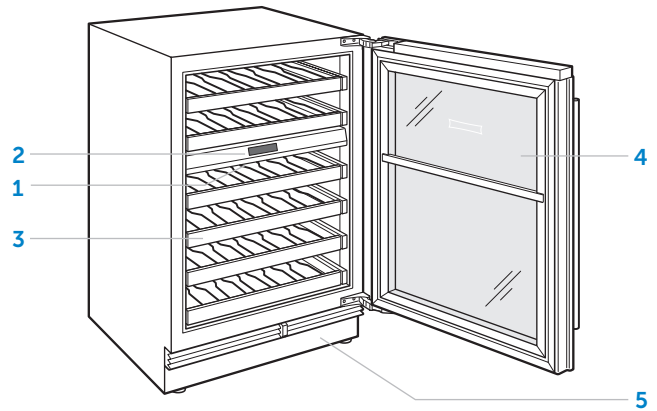
Cause le cancer et des troubles reproductifs—  
[www.P65Warnings.ca.gov](http://www.P65Warnings.ca.gov)



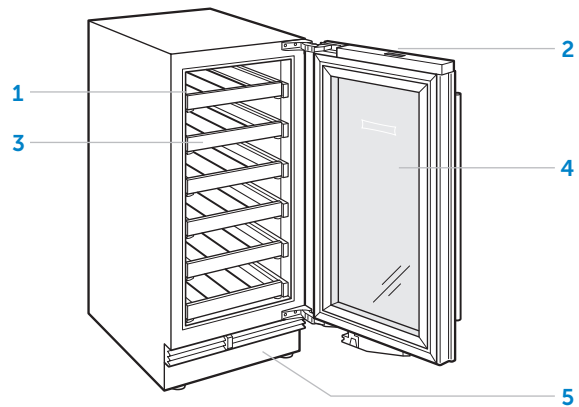
## Caractéristiques du cellier à vins sous le comptoir série Concepteur

### CARACTÉRISTIQUES

- |   |   |
|---|---|
| 1 | Plaque signalétique du produit                  |
| 2 | Panneau de commande interactif                  |
| 3 | Porte-bouteilles à extension complète           |
| 4 | Porte en verre résistant aux UV à vue complète  |
| 5 | Condensateur (derrière la plaque de protection) |



Cellier à vins sous le comptoir de 24 po



Cellier à vins sous le comptoir de 15 po

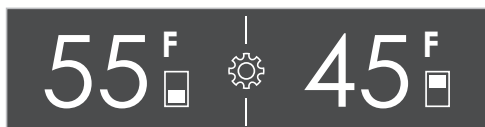
## Contrôles

Pour la mise en marche initiale, appuyez et tenez enfoncée ⓘ se trouvant sur l'écran du panneau de commande interactif. Reportez-vous aux illustrations de la page précédente pour l'emplacement du panneau de commande électronique.

La température peut être réglée dans des incréments d'un degré. Pour régler la température d'une unité avec deux zones de température, touchez à la température affichée à côté de l'icône de zone correspondante. La température à la gauche de l'écran représente celle de la zone inférieure et la température à la droite représente celle de la zone supérieure. Reportez-vous aux illustrations ci-dessous.

### Pour ajuster la température :

- 1 Touchez à la température que vous voulez ajuster.
- 2 Touchez à + ou - jusqu'à ce que la température voulue s'affiche.



Écran du cellier à vins à deux zones



Écran du cellier à vins à zone unique

## PARAMÈTRES

Pour accéder au menu des paramètres, appuyez sur ⓘ sur l'affichage du panneau de commande.

### PARAMÈTRES

ⓘ	Met en marche ou arrête l'unité
☀	Active ou désactive l'éclairage d'appoint et ajuste la luminosité et sélectionne la durée de l'éclairage doux
🔔	Active ou désactive l'alarme de la porte et règle sa durée
📶	Active ou désactive la connexion
★	Active ou désactive la fonction Shabbath
°C/°F	Règle l'unité de température
🔊	Règle le volume et la tonalité de l'alarme
🌐	Sélectionne la langue
🔧	Permet de voir les renseignements sur le dépannage et le service

## Établir la connexion de cet appareil

Reliez cet appareil pour le surveiller et le contrôler à distance. La connexion nécessite un routeur sans fil, une connexion Internet avec un nom de réseau et son mot de passe, ainsi qu'un dispositif mobile compatible. Il n'y a pas de limite au nombre d'appareils que vous pouvez relier à un compte. Vous pouvez relier des produits de plusieurs résidences au même compte. Il n'est pas obligatoire de relier les appareils.

### Connectez-vous aujourd'hui à :

- Recevez des alertes, des mises à jour de statut et des notifications de maintenance de routine.
- Rationalisez les tâches quotidiennes à l'aide de télécommandes et de commandes vocales.
- Accédez rapidement aux manuels d'utilisation et aux conseils de nettoyage et d'entretien.

### Se connecter:

- 1 Téléchargez l'appli gratuite Sub-Zero Group Owner depuis l'App Store d'Apple ou Google Play.
- 2 Après avoir activé la fonction Bluetooth® sur votre dispositif, placez-vous à une distance d'environ un mètre de l'appareil, ouvrez l'appli et suivez les directives qui apparaissent à l'écran.
- 3 Ouvrez une session ou créez un compte.
- 4 Tapez sur Add An Appliance (ajouter un appareil) ou tapez sur + dans le coin supérieur droit de l'écran pour ajouter des appareils électroménagers. Pour identifier l'appareil à relier, ouvrez sa porte.
- 5 Tapez sur + à côté de l'appareil pour le sélectionner. Si des appareils identiques apparaissent, une étape supplémentaire identifie l'appareil à relier.
- 6 Tapez sur Pair Via Bluetooth® (relier par Bluetooth). Attendez que la configuration soit terminée, puis tapez sur Set Up Your Appliance For Pairing (configurer votre appareil pour la connexion).
- 7 Tapez sur Choose a Network (choisir un réseau) sur l'écran Connect Your Appliance to Wi-Fi (relier votre appareil au Wi-Fi).
- 8 Sélectionnez le réseau Wi-Fi résidentiel et saisissez le mot de passe du réseau.
- 9 Tapez sur Turn on Notifications (activer les notifications) pour permettre l'envoi de notifications au sujet de l'appareil (par exemple, si la porte a été laissée entrouverte).
- 10 Tapez sur Done (terminé) sur l'écran Success (réussite) pour terminer la configuration.

## Cellier à vins

### PORTE-BOUTEILLES À EXTENSION COMPLÈTE

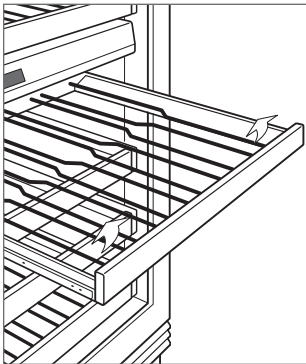
Les porte-bouteilles à extension complète permettent d'accéder facilement aux bouteilles de 750 ml, aux demi-bouteilles et aux magnums. Lorsque vous rangez des magnums, le porte-bouteilles au-dessus doit être enlevé.

Pour retirer un porte-bouteilles, tirez-le complètement, inclinez-le vers le haut, puis soulevez-le vers l'extérieur. Reportez-vous à l'illustration ci-dessous.

La façade en cerisier naturel sur les porte-bouteilles peut être remplacée par du bois s'agencant aux armoires. Pour de plus amples renseignements, reportez-vous au guide de conception Sub-Zero, visitez notre site Web à [subzero.com](http://subzero.com) ou communiquez avec le service à la clientèle de Sub-Zero au 800-222-7820.

#### ▲ MISE EN GARDE

**Retirez toutes les bouteilles de vin du porte-bouteilles avant d'enlever ce dernier.**





Retrait d'un porte-bouteilles

## Éclairage



### ÉCLAIRAGE DOUX

**Pour régler ou éteindre l'éclairage doux :**

- 1 Touchez à .
- 2 Touchez à .
- 3 Touchez à 0, 2 ou 4 secondes pour sélectionner le paramètre voulu.

### ÉCLAIRAGE D'APPOINT

**Pour régler ou éteindre l'éclairage d'appoint :**

- 1 Touchez à .
- 2 Touchez à .
- 3 Touchez à Hi, Med, Lo ou Off (élevé, moyen, faible ou éteint) pour sélectionner le paramètre voulu.

## Sabbat

Cet appareil est certifié par Star-K pour répondre à des règlements religieux rigoureux relativement à des directives précises se trouvant sur [www.star-k.org](http://www.star-k.org).

Le mode Sabbat allume automatiquement les lumières intérieures avec une luminosité réduite. Les lumières restent allumées lorsque la porte est fermée. Les lumières ne peuvent pas être éteintes en mode Sabbat.

Le mode Sabbat s'éteint automatiquement après 74 heures. Toutes les préférences d'éclairage reviennent au réglage précédent lorsque le mode Sabbat est désactivé.

**Pour activer le Sabbat :**

- 1 Touchez à .
- 2 Touchez et tenez  pendant 3 secondes.

**Pour désactiver le Sabbat :**

- 1 Touchez et tenez  pendant 10 secondes maximum.

## Nettoyage

### EXTÉRIEUR EN ACIER INOXYDABLE

Utilisez un nettoyant non abrasif pour l'acier inoxydable et appliquez-le avec un chiffon doux non pelucheux. Pour faire ressortir le lustre naturel, essuyez légèrement la surface avec un chiffon en microfibres humecté d'eau suivi d'un chamois à polir sec. Suivez toujours le grain de l'acier inoxydable.

### NETTOYAGE INTÉRIEUR

Pour nettoyer les surfaces intérieures et toutes les pièces amovibles, lavez avec une solution douce de savon, d'eau et de bicarbonate de soude. Rincez et séchez à fond. Évitez de mettre de l'eau sur les lumières, le panneau de commande et la façade en cerisier sur les porte-bouteilles.

Utilisez un nettoyant pour verre standard pour nettoyer la porte en verre résistant aux UV.

#### ⚠ MISE EN GARDE

**N'utilisez pas du vinaigre, de l'alcool à friction ou d'autres nettoyants à base d'alcool sur toute surface intérieure.**

### VACANCES

Pour des vacances prolongées, coupez l'alimentation sur le panneau de commande. Videz l'unité et bloquez les portes en position légèrement ouverte pour laisser de l'air frais circuler et garder l'intérieur sec.

### NETTOYAGE DU CONDENSATEUR

#### ⚠ MISE EN GARDE

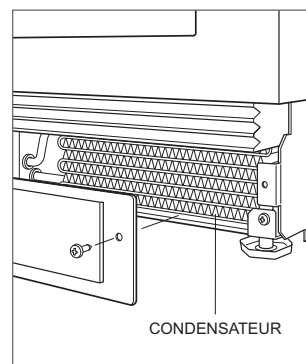
**Avant de nettoyer le condensateur, coupez l'alimentation de l'unité. Portez des gants pour éviter toute blessure causée par les ailettes tranchantes du condensateur.**

Le condensateur est situé au fond de l'unité, derrière la plaque de protection. Retirez la plaque de protection en enlevant les deux vis de montage. Utilisez une brosse à soie souple et un aspirateur pour éliminer la poussière et les peluches de la zone du condensateur. Nettoyez le condensateur tous les six à douze mois. Reportez-vous à l'illustration ci-dessous.

**REMARQUE IMPORTANTE :** Pour éviter d'endommager les ailes du condensateur, passez l'aspirateur dans la direction des ailettes.

#### ⚠ MISE EN GARDE

**L'omission de nettoyer le condensateur pourrait entraîner une perte de température, une défaillance mécanique ou des dommages.**



Emplacement du condensateur

## Dépannage

### FONCTIONNEMENT DE L'UNITÉ

#### Pas de lumière ou de refroidissement.

- Assurez-vous que l'unité est sous tension.
- Vérifiez l'alimentation électrique vers l'unité et que le disjoncteur de la résidence est en marche.

#### Pas de lumière.

- La porte peut avoir été laissée entrouverte, ce qui a désactivé les lumières pour éliminer l'excédent de chaleur. Si les lumières sont éteintes, fermez la porte pendant une heure. Si les lumières sont toujours éteintes, communiquez avec le service certifié par l'usine Sub-Zero.
- L'éclairage intérieur à DEL doit être remplacé par le service certifié par l'usine Sub-Zero.

#### De la condensation se forme à l'intérieur de l'unité.

- Vérifiez que le condensateur est propre.
- Vérifiez que la porte se ferme correctement.
- Vérifiez que la porte n'ait pas été laissée entrouverte.
- Vérifiez que le joint de la porte n'ait pas de coupures ou déchirures. Le cas échéant, communiquez avec le service certifié par l'usine Sub-Zero.

#### Températures élevées, l'unité fonctionne de façon excessive ou l'unité émet trop de chaleur.

- Vérifiez que le condensateur est propre.
- Vérifiez que la porte se ferme correctement.
- Vérifiez que la porte n'ait pas été laissée entrouverte.
- Des températures ambiantes élevées peuvent faire fonctionner le compresseur plus longtemps.
- Si l'affichage de température indique 55°F et 45°F, mais ne se refroidit pas, l'unité peut se trouver en mode de salle d'exposition. Communiquez avec le service à la clientèle de Sub-Zero au 800.222.7820.

### ODEUR

- L'unité doit être nettoyée avant de l'utiliser la première fois. Cela éliminera les odeurs qui ont pu être captées lors de l'expédition.

### SERVICE

- Préservez la qualité intégrée dans votre produit en communiquant avec un service certifié par l'usine Sub-Zero. Pour obtenir le nom du centre de service Sub-Zero certifié par l'usine le plus près de chez vous, consultez la section Assistance produits de notre site Web, [subzero.com](http://subzero.com) ou appelez le service à la clientèle de Sub-Zero au 800.222.7820.
- Avant d'appeler pour obtenir du service, ayez en main les numéros de modèle et de série de votre unité. Les deux numéros sont indiqués sur la plaque signalétique du produit. Reportez-vous à la page 5 pour connaître l'emplacement de la plaque signalétique.
- Pour les besoins de la garantie, vous devrez aussi avoir la date d'installation et le nom de votre dépositaire Sub-Zero autorisé. Ces renseignements doivent être notés à la page 2 de ce guide.

## Garantie limitée résidentielle Sub-Zero

### POUR UTILISATION RÉSIDENTIELLE

#### GARANTIE COMPLÈTE DE DEUX ANS\*

Pendant deux ans à compter de la date d'installation originale, cette garantie de produit Sub-Zero couvre toutes les pièces et la main d'œuvre pour réparer ou remplacer, selon un usage résidentiel normal, toute partie du produit qui s'avérerait défectueuse en vertu des matériaux ou de la fabrication. Le service fourni par Sub-Zero en vertu de la garantie ci-dessus doit être effectué par un centre de service Sub-Zero certifié par l'usine, à moins d'être précisé autrement par Sub-Zero, Inc. Le service sera fourni pendant les heures normales d'ouverture.

#### GARANTIE COMPLÈTE DE CINQ ANS SUR LE SYSTÈME SCELLÉ

Pendant cinq ans à compter de la date d'installation originale, cette garantie de produit Sub-Zero couvrira toutes les pièces et la main d'œuvre pour réparer ou remplacer, selon un usage résidentiel normal, les pièces qui s'avèreraient défectueuses en vertu des matériaux ou de la fabrication : le compresseur, le condensateur, l'évaporateur, le déshydrateur et toute la tuyauterie de connexion. Le service fourni par Sub-Zero en vertu de la garantie ci-dessus doit être effectué par un centre de service Sub-Zero certifié par l'usine, à moins d'être précisé autrement par Sub-Zero, Inc. Le service sera fourni pendant les heures normales d'ouverture.

#### GARANTIE LIMITÉE DE DOUZE ANS SUR LE SYSTÈME SCELLÉ

Pendant douze ans à compter de la date originale d'installation, Sub-Zero réparera ou remplacera les pièces suivantes qui s'avèreront défectueuses en vertu des matériaux ou de la fabrication : le compresseur, le condensateur, l'évaporateur, le déshydrateur et toute la tuyauterie de connexion. Si le propriétaire utilise le service Sub-Zero certifié en usine, le fournisseur de service réparera ou remplacera ces pièces et le propriétaire paiera pour tous les autres frais, y compris la main d'œuvre. Si le propriétaire utilise un service non certifié, il doit communiquer avec Sub-Zero, Inc. (avec les renseignements ci-dessous) pour obtenir des pièces réparées ou de rechange. Sub-Zero ne remboursera pas le propriétaire pour les pièces achetées d'un service non certifié ou d'autres sources.

#### CONDITIONS S'APPLIQUANT À CHAQUE GARANTIE

La garantie s'applique uniquement aux produits installés pour un usage résidentiel normal. La garantie s'applique seulement aux produits installés dans l'un des cinquante états des États-Unis, dans le District of Columbia ou les dix provinces du Canada. Cette garantie ne couvre pas les pièces ou la main d'œuvre pour corriger tout défaut causé par de la négligence, un accident ou une utilisation, un entretien, une installation, un service ou une réparation inappropriés.

**LES REMÈDES DÉCRITS CI-DESSUS POUR CHAQUE GARANTIE SONT LES SEULS QUI SONT OFFERTS PAR SUB-ZERO, INC. EN VERTU DE CETTE GARANTIE OU EN VERTU DE TOUTE GARANTIE DÉCOULANT DE L'OPÉRATION DE LA LOI. SUB-ZERO, INC. NE SERA PAS RESPONSABLE DES DOMMAGES INDIRECTS OU CONSÉCUTIFS DÉCOULANT DE LA VIOLATION À CETTE GARANTIE OU À TOUTE GARANTIE, EXPRESSE, IMPLICITE OU LÉGALE.**

Certaines provinces ne permettent pas l'exclusion ou la restriction des dommages indirects ou consécutifs, par conséquent, la limite ou l'exclusion ci-dessus peut ne pas s'appliquer à votre cas. Cette garantie vous confère des droits légaux précis et vous pouvez aussi avoir d'autres droits légaux qui peuvent varier d'une province à l'autre.

Pour obtenir des pièces et/ou du service et le nom du centre de service Sub-Zero certifié par l'usine le plus près de chez vous, communiquez avec Sub-Zero, Inc., P.O. Box 44848, Madison, WI 53744 É.-U.; Consultez la section Support produit de notre site Web, [subzero.com](http://subzero.com), envoyez-nous un courriel à [customerservice@subzero.com](mailto:customerservice@subzero.com) ou composez le 800-222-7820.

\*L'acier inoxydable (les portes, les panneaux, les poignées, les cadres et les surfaces intérieures) est couvert par une garantie limitée de 60 jours sur les pièces et la main d'œuvre pour toute défectuosité cosmétique.

\*Les cartouches du filtre à eau et de purification d'air de rechange ne sont pas couvertes par la garantie du produit.





SUB-ZERO, INC. P.O. BOX 44848 MADISON, WI 53744 SUBZERO.COM 800.222.7820

9045420 REV-B

8/2021

