



HOSHIZAKI

Parts List

Ball Ice Maker

Model

IM-50BAA-Q



hoshizakiamerica.com

Number: M041-4975
Issued: 3-2025

Auxiliary Codes

IM-50BAA-Q

K-1

January 2020

Auxiliary Code Breakdown

The auxiliary code is the first two characters in the serial number. The first character indicates the year. Years progress or regress in alphabetical order. The series runs from "A" through "V" and the letters "I" and "O" are skipped. The second character indicates significant part changes within a year. Base is "0" and this number advances for each change. In cases where there is a letter in parentheses, this designates the month. This is the last character in the serial number. The series runs from "(A)" through "(M)" and the letter "(I)" is skipped. This designation is only included when identifying a parts change within an auxiliary code.

Note About Ordering Parts

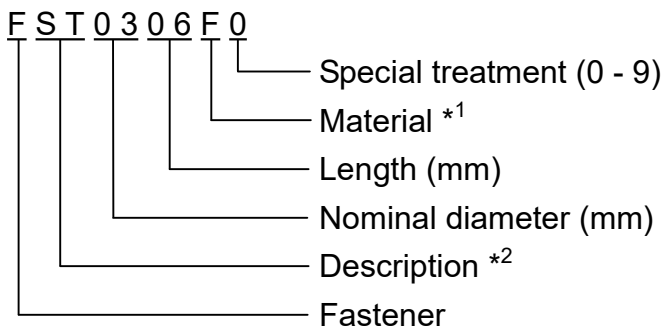
Most assemblies cannot be ordered as complete units; parts in the assemblies generally must be ordered separately.

MARKS LOCATED UNDER THE AUXILIARY CODE

- = Part deleted.
- x = Part deleted and replaced by "o" part.
- o = New part in place of "x" part.

FASTENER PART NUMBER

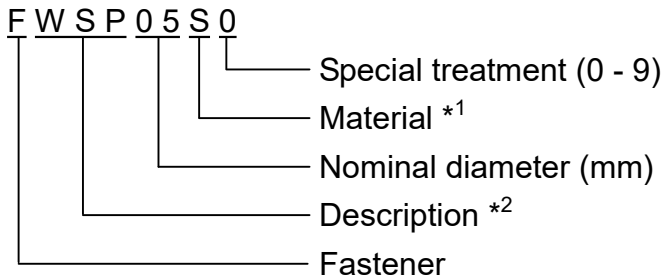
SCREWS



*¹ Material

- F: Steel
- S: Austenitic stainless steel
- M: Martensitic stainless steel
- B: Copper alloy
- P: Polycarbonate
- N: Polyamide
- V: PVC
- A: ABS
- X: Polyacetal
- L: Aluminum

NUTS & WASHERS

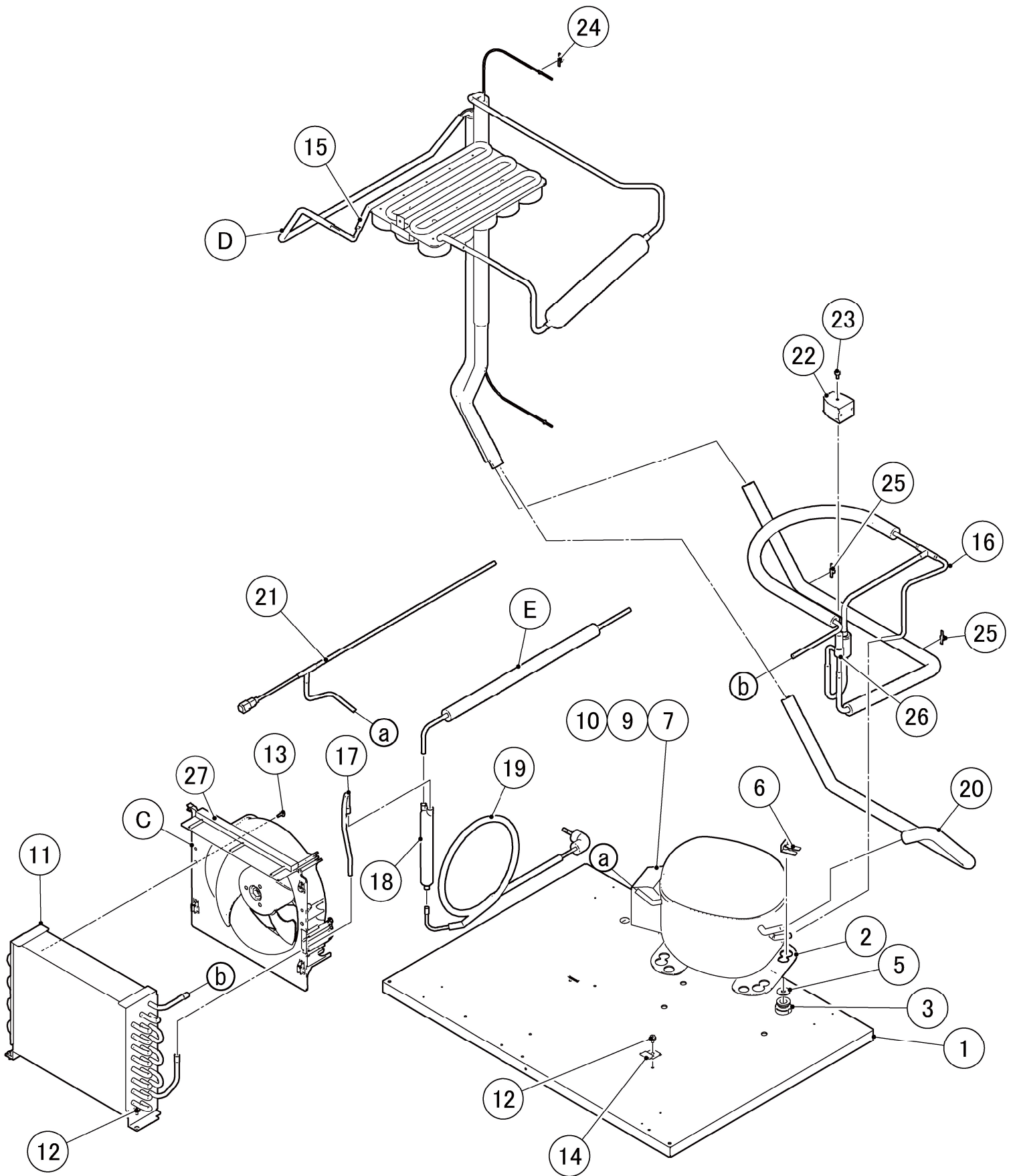


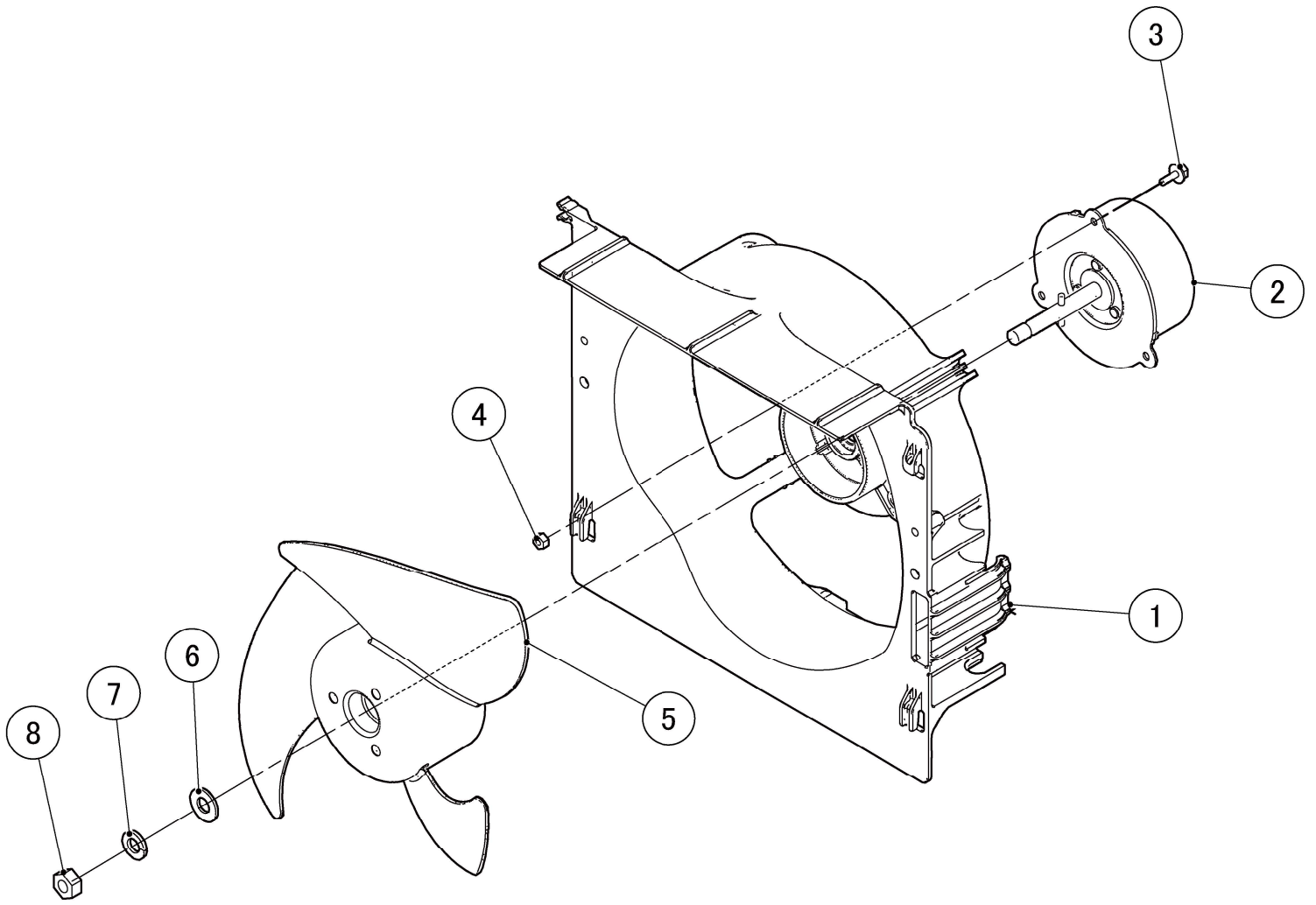
*² Description

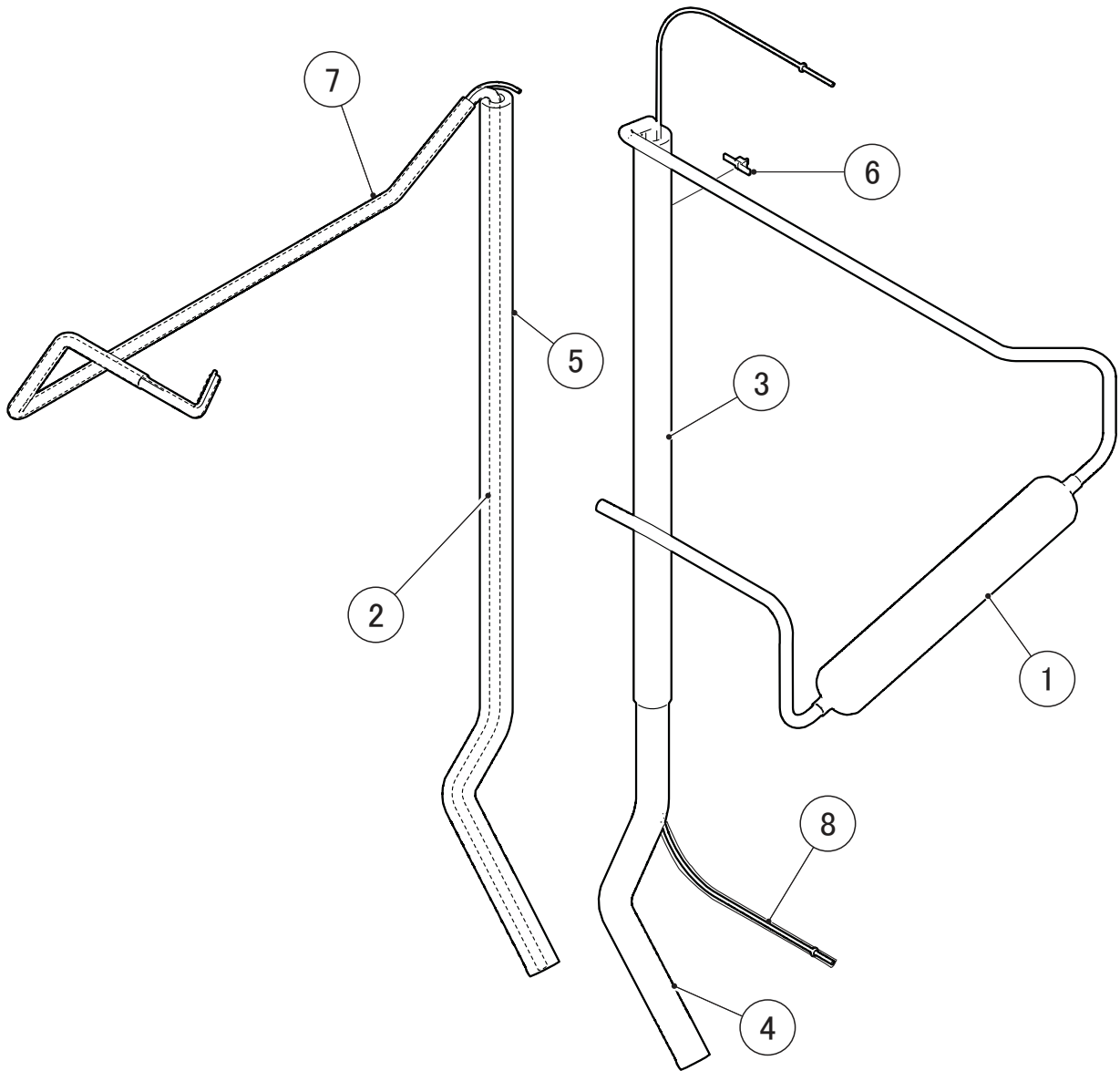
- First letter
- S: Machine screw
- T: Tapping screw
- M: Wood screw
- B: Bolt
- W: Washer
- N: Nut

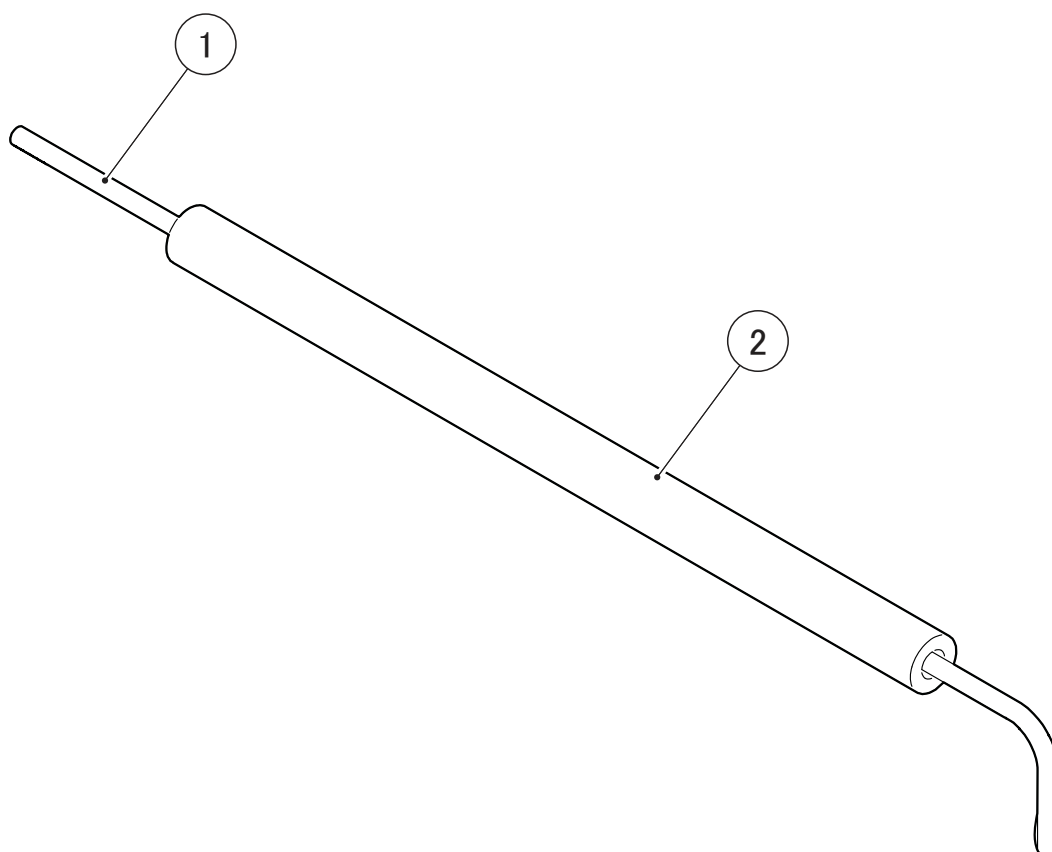
MODEL: **IM-50BAA-Q**TITLE: **A. ICE CUBER ASSY**

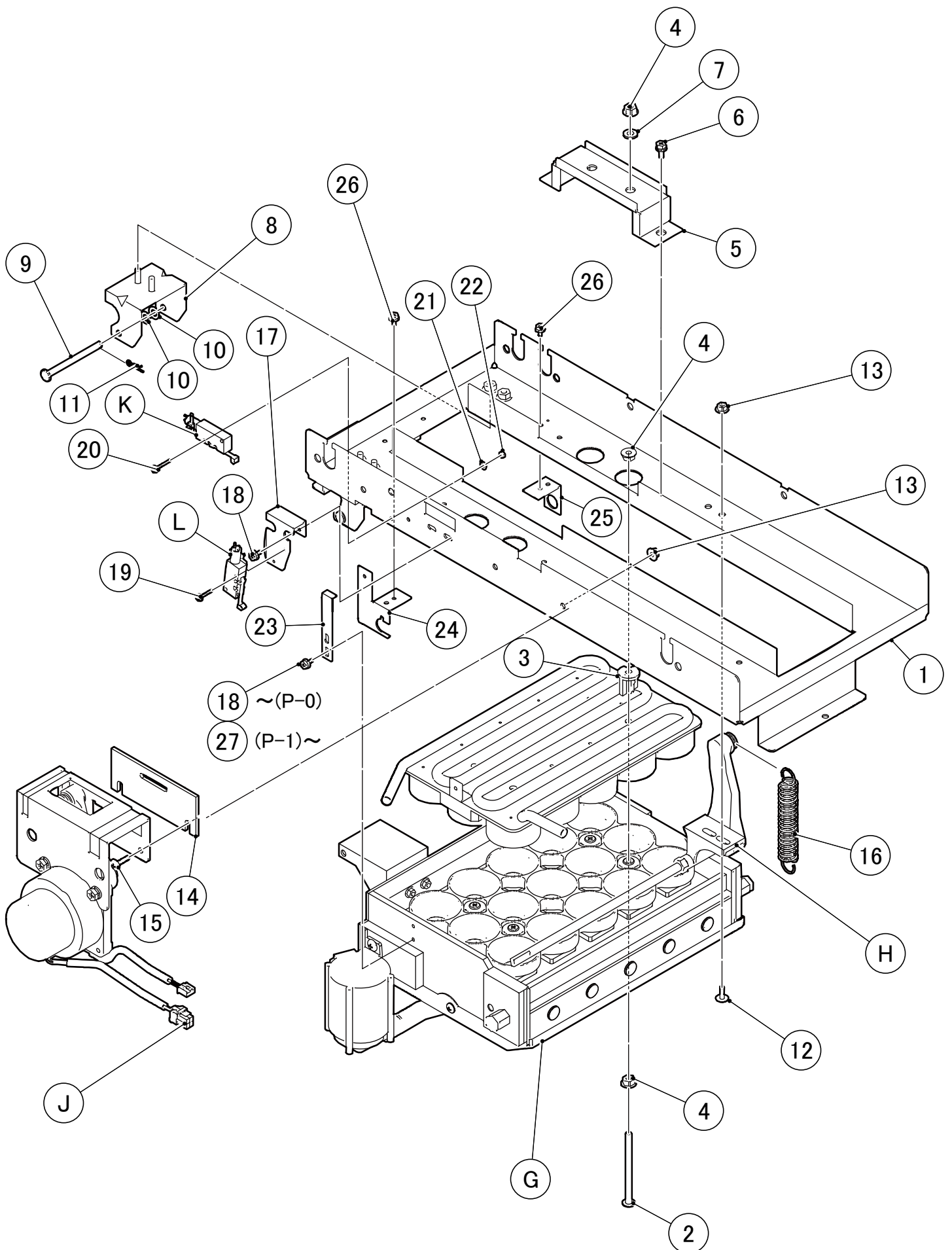
INDEX NO.	DESCRIPTION	MATERIAL OR MODEL NUMBER	PART NUMBER	REQ'D NUMBER				
				K-1				
B	REFRIGERATION ASSY		1H6243A01	1				
F	MECHANISM ASSY		1H6248A01	1				
M	SCOOP HOLDER ASSY		4Z0795A01	1				
N	WATER CIRCUIT ASSY		3Z1438A01	1				
P	ICE GUIDE ASSY		2H9788A02	1				
Q	BIN SWITCH ASSY		4Z0800A01	1				
R	DOOR ASSY		3Y8411A03	1				
T	CONTROL BOX ASSY		2X3991A01	1				
W	DRAIN HOSE ASSY		4Z0812A01	1				
X	FRONT COVER (LO)		2X3993A01	1				
Y	ACCESSORIES		A03842-01	1				
1	BODY		Not available	1				
2	TAPPING SCREW - HEX		442040-01	4				
3	TRUSS HEAD TAPPING SCREW (S-TITE)		FTS0412M0	-				
4	PLATE - SCOOP		4Z0793M01	1				
5	HEX HEAD BOLT SW		FBK0408S0	4				
6	THUMBSCREW		415949G10	3				
7	TRUSS HEAD SCREW		FST0408S0	3				
8	FLANGE BOLT (C-TITE)		FTR0408M0	15				
9	HEX HEAD BOLT SW		FBK0416S0	2				
10	DRAIN PAN (G)		3Z1439G01	1				
11	FRAME - FRONT		3Z1440M01	1				
12	T2 TRUSS HEAD SCREW		FT20408M0	7				
13	DRAIN TUBE		4H2585-01	1				
14	DRAIN PIPE		4Z1024P01	1				
15	SLOPE		1H4108P01	1				
16	HINGE		P03583-01	2				
17	HEX HEAD BOLT (SPRING WASHER AND FLAT WASHER)		FBK0616S0	4				
18	HOOK - SPRING		4Y8746M01	1				











MODEL: **IM-50BAA-Q**TITLE: **F.MECHANISM ASSY**

INDEX NO.	DESCRIPTION	MATERIAL OR MODEL NUMBER	PART NUMBER	REQ'D NUMBER				
				K-1 P-0	P-1 and later			
G	WATER PAN ASSY		1H4576A02	1	1			
H	CAM SHAFT ASSY		3Z1433A01	1	1			
J	ACTUATOR MOTOR ASSY		3Z1435A01	1	1			
K	MICRO SWITCH ASSY		4Z0788A01	1	1			
L	MICRO SWITCH ASSY		4Z0788A02	1	1			
1	MECHANISM BASE		2X3979G01	1	1			
2	SCREW-EVAPORATOR MOUNTING		4H5788-01	4	4			
3	SPACER		4H0471-01	4	4			
4	FLANGE NUT		FNHF06S0	16	16			
5	BRACKET-EVAPORATOR		3H5000-01	2	2			
6	HEX HEAD BOLT (SPRING WASHER AND FLAT WASHER)		FBK0512S0	4	4			
7	WASHER		4H0777-01	4	4			
8	BEARING PLATE		3Y4722G01	2	2			
9	SHAFT (A)		4H1184-01	2	2			
10	FLAT WASHER		FWPL06N0	4	4			
11	SNAP PIN		715S-0006	2	2			
12	TRUSS HEAD SCREW		FST0512S0	2	2			
13	FLANGE NUT		FNHF05S0	4	4			
14	SPACER (C)		4Y6145P01	1	1			
15	TRUSS HEAD SCREW		FST0516S0	2	2			
16	SPRING		4Z0787M01	2	2			
17	BRACKET - SWITCH		4Y6253M01	1	1			
18	HEX HEAD BOLT SW		FBK0408S0	4	-			
			FBK0408S0	-	2			
19	PAN HEAD MACHINE SCREW (SPRING WASHER AND FLAT WASHER)		FSK0316S0	2	2			
20	PAN HEAD MACHINE SCREW (SPRING WASHER AND FLAT WASHER)		FSK0320S0	2	2			
21	FLAT WASHER		FWPL03S0	2	2			
22	NUT		FNH103S0	2	2			
23	LEVER		4Y6297M01	1	1			

