

Under Counter Wine Storage System

KWT 6312 UGS



Under Counter Wine Storage System

KWT 6312 UGS



Features:

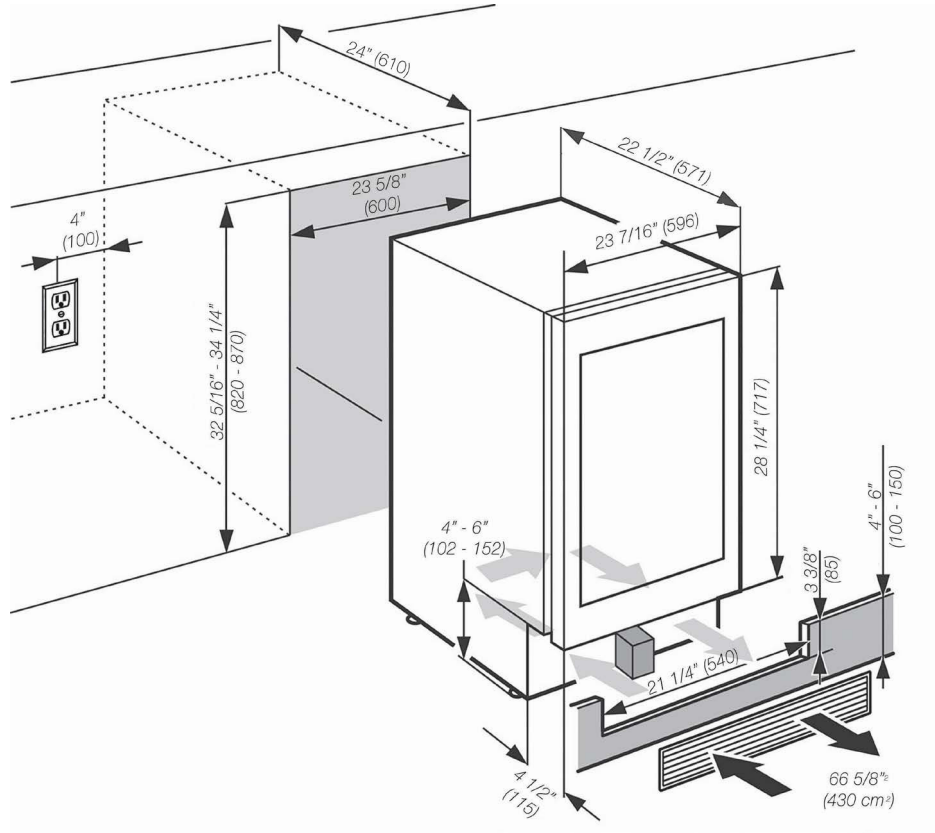
- Built-under unit
- Tinted tempered glass door
- Push2open door
- SoftClose door
- Right hinged, convertible
- DynaCool
- Room for up to 46 bottles*
- Single temperature panel
- TouchControl interface
- LED lighting
- Active AirClean filter
- Low vibration compressor
- FlexiFrame with Noteboard
- Sommelier set
- Side-by-Side combination available

SPECIFICATIONS

KWT 6312 UGS — Item	36631200USA
Overall Unit Width	23 ⁷ / ₁₆ " (596mm)
Overall Unit Height	32 ¹ / ₄ " — 34 ¹ / ₄ " (819 — 870mm)
Overall Unit Depth	22 ¹ / ₂ " (571mm)
Door Clearance	23 ⁷ / ₁₆ " (596mm)
Niche	
Minimum Cabinet Opening Width	23 ⁵ / ₈ " (600mm)
Minimum Cabinet Opening Height	32 ⁵ / ₁₆ " (820mm)
Minimum Cabinet Opening Depth	24" (610mm)
Electrical	
Electrical Requirements	110V / 120V, 60Hz, 15 Amps (single) 110V / 120V , 60Hz, 20Amp (side-by-side)
Power Cord	Yes - NEMA 5-15 plug, 6' 6 ³ / ₄ " (2m)
Shipping	
Shipping Weight	110 lbs. (50 kg)
Shipping Weight w/ Sommelier Set	135.6 lbs. (61.5 kg)
Support	
Call	800.843.7231
20/20	☎2020technologies.com

*without Sommelier set

Installation Dimension



Top View

