

RF70F23DER

SAMSUNG

23 cu. ft. Bespoke Counter Depth 4-Door French Door Refrigerator with Beverage Center™ in Stainless Steel



Signature Features

Beverage Center™

Enjoy plenty of refreshingly cold and flavored water. The Beverage Center™ is inside the fridge, so it is less likely to get contaminated. As well as a water dispenser, it has a dishwasher-safe¹ and BPA-free² AutoFill Water Pitcher for purified water, which can be infused with fruits and herbs.

¹ Tested for 125 cycles in accordance with the "Mechanical dishwashing resistance of utensils" test method (BS EN 12875-1:2005) and certified as dishwasher safe by SGS.

² Bisphenol A (BPA) is a chemical found in polycarbonate plastics and epoxy resins, which are often used in food and beverage containers, and has been linked with possible adverse health effects.

FlexZone™ Drawer

Customize your middle drawer with 5 different temperature settings.

SmartThings AI Energy Mode

SmartThings Energy applets you monitor and manage your refrigerator's power usage. Reduce your energy use by up to 10%¹ with AI Energy Mode,² all from your phone.

¹ Comparing factory setting temperature without AI Energy Mode and with AI Energy Mode, which optimizes the compressor speed and defrost cycle based on usage pattern and conditions. Results may vary depending on the usage pattern and conditions.

² Available on compatible models from June 2023 through a Wi-Fi update through the SmartThings app on Android and iOS devices. A Wi-Fi connection and a Samsung account are required.

Design

- Beverage Center™
- Modern Design
- Recessed Handle
- ADA-Compliant Display
- Slide-In Shelf
- LED Lighting
- Gallon Door Bin

Technology

- Wi-Fi Enabled
- Power Cool & Power Freeze
- Door Alarm
- Water Filter Indicator

Performance

- FlexZone™ Drawer
- SmartThings Energy
- Ice Maker
- Twin Cooling
- Metal Cooling

Rating



ENERGY STAR® rated:
621 kWh/yr

RF70F23DER

SAMSUNG

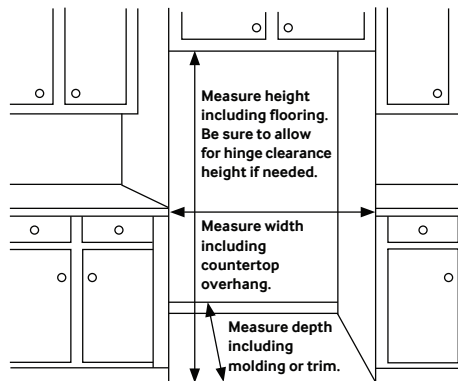
23 cu. ft. Bespoke Counter Depth 4-Door French Door Refrigerator with Beverage Center™ in Stainless Steel

Installation Specifications

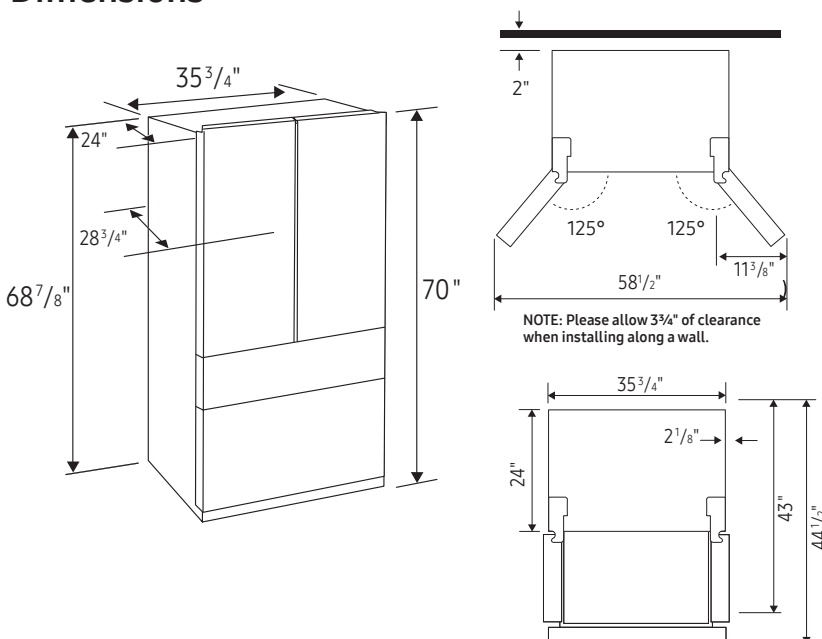
1. Measure the height, width and depth of the opening, making sure to include baseboards, molding tile, countertop overhang, etc. Check to be sure there is enough room to open the door (consider walls, islands or other obstacles when measuring).
2. Refer to illustration below to determine dimensions.
3. Allow 3.75" of clearance on hinge side of refrigerator when installing next to a wall where handle may make contact.
4. Allow 2" minimum clearance at rear for proper air circulation and water/electrical connections. Allow a 3/8" minimum clearance at sides and top for ease of installation.
5. Ensure each door and entryway in the home is wide enough for the refrigerator to be moved through easily.

For optimal usage and ability to open refrigerator doors completely, do not install next to a wall.

Please note: The following dimensions and cutout information is for planning purposes only. For complete installation details, consult manual packed with product, or download manual online at samsung.com.



Dimensions



Total Capacity: 22.9 cu. ft.

Refrigerator: 13.6 cu. ft.

- 1 Slide-In Shelf, 3 Tempered Glass Spill-Proof Shelves
- 2 Clear Drawers, Including Crisper+
- 6 Door Bins
Right: 1 Gallon Bin, 2 Regular Bins
Left: 3 Regular Bins
- Surface Lighting

FlexZone™ Drawer: 2.5 cu. ft.

- 5 Temperature Zones
 - Soft Freeze (23°F)
 - Meat/Fish (30°F)
 - Cold Drinks (34°F)
 - Deli/Snacks (37°F)
 - Wine/Party Dishes (41°F)
- Drawer Divider
- High Efficiency LED Lighting

Freezer: 6.8 cu. ft.

- Ice Maker in Freezer (Cubed Ice)
- Ice Bucket with Scoop
- Produces up to 2.6 lbs ice/day; stores up to 3.3 lbs
- High Efficiency LED Lighting

Accessories

Water Filter: HAF-QIN

Warranty

One (1) Year Parts and Labor on Refrigerator
Five (5) Years Parts and Labor on Sealed Refrigeration System Only*
Ten (10) Years Parts and Five (5) Years Labor on Digital Inverter Compressor

*Compressor, evaporator, condenser, drier and connecting tubing.

Product Dimensions & Weight

Dimensions (WxHxD with hinges and doors):
35 3/4" x 70" x 28 3/4"

Dimensions (WxHxD without hinges and doors):
35 3/4" x 68 7/8" x 24"

Weight: 299.8 lbs

Shipping Dimensions & Weight (WxHxD)

Dimensions: 37 11/16" x 75 3/8" x 30 1/2"

Weight: 308.7 lbs

Color

Fingerprint Resistant
Stainless Steel

Model

RF70F23DER

UPC Code

887276954493