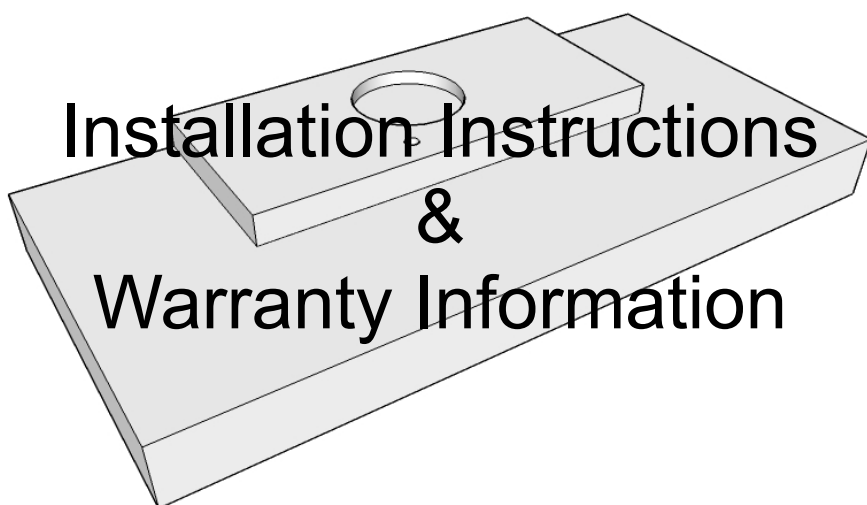


Powered Liner—C2000



425 Apollo Street  
Brea, CA 92821  
[www.imperialhoods.com](http://www.imperialhoods.com)  
(800) 851-4192

**DO NOT THROW AWAY,  
PROPERTY OF THE HOME OWNER!**

**Unit is to be hardwired.  
Adding a Power Cord is not UL approved and will  
void the warranty.**

# Imperial Cal Products, Inc.



## **Read Before Starting Installation!**

- Check your local building and electrical codes. **(Mounting hardware NOT included) Unit should be on a dedicated circuit.**
- **WARNING:** To reduce the risk of fire or electrical shock, Do Not use any two speed motor units with a Solid State control devise.
- **CAUTION:** To reduce the risk of fire or personal injury and to properly exhaust air, be sure to duct air to the outside. DO NOT vent exhaust air into spaces within wall, attics, ceilings, crawl spaces or garages. For general ventilation use only. Do not use to Exhaust Hazardous or Explosive Materials and Vapors. When venting to the outside make duct run as short and straight as possible.
- **Avoid using elbows if at all possible as this will reduce your performance.** Elbows will reduce CFM which will affect the performance of your unit. There will be NO Performance Warranty. There could be possible back pressure and the motor could overheat and shut off for safety.
- **No Performance Warranty when used above BBQ, Grills & Griddles.**
- DO NOT use duct pipe smaller than the outlet duct opening on the hood, this will reduce performance and void the warranty. 7", 8" or 10" round duct depending on model purchased.
- DO NOT use flex ducting.
- Use either a Roof Cap or Wall Cap to end run. Be sure that all joints are taped securely in place. It is essential to have the proper distance between the bottom of the range hood and the cooking surface below. In most cases the cooking appliance manufacturers specifications will establish the fire safe minimum distance required, although there are other factors to consider:
  - ⇒ Local Building Codes
  - ⇒ Cross directional air movements ie: open windows, air conditioning/heating outlets cooling fans, etc.
  - ⇒ Overall size of the cooking appliance and surrounding countertop surfaces.
  - ⇒ Range hood model selected.
- For best performance distance between cooking surface and the bottom of the hood is 30" to 36". Check local codes and appliance specifications. Keep in mind, increasing the distance will decrease the performance.
- **THERMOSTAT: PS or BP Units ONLY.** When cooking surface reaches 130 degrees, the unit will automatically turn ON to the highest setting and won't be able to be turned off until the area has cooled down. For safety, it's best to have unit on while cooking. (This thermostat will NOT prevent fires. Fires are most often cause by excessive grease build up.)
- **TWIN UNITS ONLY** - Transitioning two pipes into one is NOT recommended. CFMs are reduced by 25% and the Performance Warranty will be void.

**DISCLAIMER-** Imperial assumes no liability regarding the improper installation or misapplication of its products. It is the installer's responsibility to check for proper installation. Under no circumstances will Imperial be liable for any labor charged or travel time incurred for installation of its products. Damage caused by improper installation is the installers responsibility and Imperial assumes no liability.



**WARNING:** This product can expose you to certain chemicals, which are known to the State of California to cause cancer or birth defects or other reproductive harm. For more information to go: [www.P65WARNINGS.ca.gov](http://www.P65WARNINGS.ca.gov).

## Powered Liners Installation Detail:

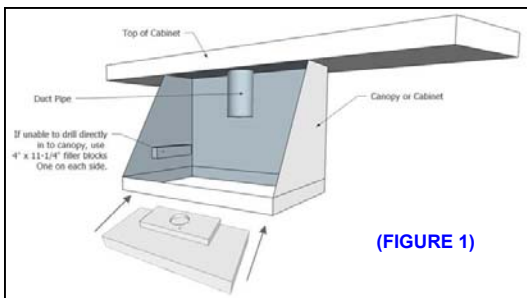
### MODEL MESH FILTERS

C2000SD2 (SD2-NV)  
C2000SD4 (SD4-12)  
C2000BP (BP1-duct is offset to the left)  
C2000PS  
C2000PS-IS22 (Island Application)  
C2000PS-IS28 (Island Application)

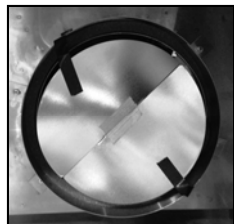
### MODEL BAFFLE FILTERS

C2000BPB  
C2000PSB  
C2000BP1-TW / TWB (requires 2 duct pipes)  
C2000PS1-TW / TWB (requires 2 duct pipes)

1. Line up powered liner to underside of cabinet or canopy. If unable to drill directly into cabinet or canopy, use 4" x 11-1/4" x 3/4" wood blocks (Figure 1) on the inside of canopy, left and right side and secure with screws.
2. Remove Filters of powered liner. Remove the **BLACK** tape that holds the damper blades closed. (Figure 2) (It is NOT recommended to use two (2) dampers during installation. You have the option to use an external damper or use the existing damper already on our unit.)
3. Raise and position powered liner so that the bottom is level with cabinet and screw through holes on either side of liner. **DO NOT use Motor Mounts as Gripping Points.** The duct pipe or pipes should slip into the Automatic Seal Vent Collar. Additional Duct Tape can be use if needed.
4. If required, additional mounting at the rear of the unit: Locate wall studs, drill holes through back of insert to hit studs and attach the liner to the wall with screws.
5. Island and Peninsula liners should be mounted in the same way except there will be no rear wall mount.
6. Bring conduit down 4" past the bottom of the liner. **NOTE:** Top box for the **C2000BP1** shows vent opening Off-Set to the left (facing the hood). The lower box will be the same size as the other models.
7. Remove junction box cover from C2000. (Be sure to comply with all local electrical and safety codes.) **Units are to be hard wired.** It is not recommended to add a power-cord. Adding a power cord can loosen existing wires inside junction box causing electrical failure.
8. Hook up electrical wires and secure inside junction box. Replace junction box cover. Install lights and replace filters. **For Baffle filters installation, see baffle installation page enclosed.**



(FIGURE 1)



(FIGURE 2)

**TWIN UNITS ONLY**—Transitioning two pipes into one is **NOT** recommended. CFMs are reduced by 25% and will VOID the Performance Warranty.

**DUCT SIZE INDICATOR** - Our standard units have a 7" Round which can be transitioned to 8" Round or 10" Round to increase CFM. To add transition, simply attach transition to the automatic vent seal color to hold transition in place. Duct tape can be added for extra security.

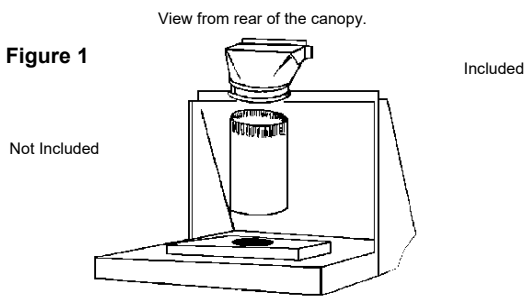
**See example below:**

C2000PS-**8** = 8" Round Transition  
C2000PS-**K** = 10" Round Transition

# Powered Liners Installation Detail Continued:

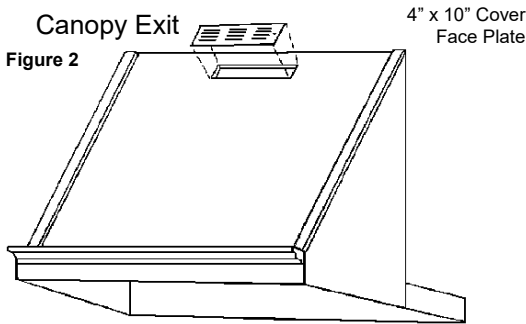
## Re-Circulating, (Non-Vented) Series: C2000SD2-NV

For use when unable to terminate exhaust ducting to outside the structure.



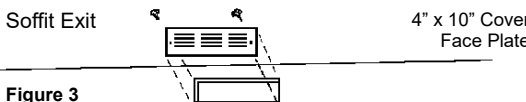
**Figure 1:**

Figure one shows the included elbow transition from 7" diameter round to 3 1/4" x 10" rectangular. This transition is used to return the filtered air back to inside the kitchen either through the soffit above the canopy face of if applicable the soffit above. The customer must provide the appropriate length of straight 7" round ducting that connects the hood exhaust to the elbow transition.



**Figure 2**

Figure two shows a typical air exit terminating through the canopy face. A customer supplied, decorative 4" x 10" register cover face plate should be used to finish off the cut out opening.



**Figure 3**

Figure three shows a typical air exit terminating through the soffit face directly above the hood canopy. **Again the customer must provide a 4" x 10" register face plate.**

**NOTE:** The C2000 NV Unit comes supplied with charcoal filters that will accumulate the cooking grease and over time decrease the hoods performance. The amount and style of cooking will dictate how often the filters should be replaced. This type of filter is designed for replacement only. Contact Imperial to purchase proper replacement filters.

**IMPERIAL CAL PRODUCTS MAKES NO WARRANTIES AS TO PERFORMANCE ON A NV/DUCTLESS RECIRCULATING HOOD AS THEY ARE NOT DESIGNED TO ELIMINATE COOKING EMISSIONS.**

# Imperial Cal Products, Inc.

To order replace parts or schedule service please call our office at (800) 851-4192 or use our website... [www.imperialhoods.com](http://www.imperialhoods.com).

## **PARTS:**

When ordering Parts we need the following information:

- Model Number (not serial number) found on UL label inside hood.
- Exact dimensions (in the case of filters)

You can find the model number on the inside of your hood on our UL label. There will be a several model numbers listed, your model number should have a colored dot or mark next to it to indicate the exact model you have.

In the case of Filters, we will need the **exact dimensions of the filter needed**.

Indicate which side has the pull tabs on it. Filters are not a warranty replacement part. With care your filters should last many years.

Payment on Parts is handled one of three ways: PrePaid (you send a check prior to our Shipping), call with credit card information, VISA or MasterCard, COD or Cash if you decide to "Will Call". **Our Will Call hours are 8:30 to 3:30, Monday through Friday.**

## **SERVICE:**

**When calling in for Service we need the following information:**

- **Model Number (not serial number)**
- **Proof of Purchase**
- **Name of company you purchased the hood through.**
- **Name & Phone number of the person to contact to set up the service call.**
- **Full address of the location where service is to be done.**

**Warranty is Seven Years, Parts and Labor.**

## Maintenance & Warranty Information

**RANGE HOOD CLEANING**—When cleaning a painted hood, wash it with mild, soapy water ONLY! Wipe the hood thoroughly with clean water and dry with soft cloth. When cleaning Stainless Steel use a cleaner specifically for Stainless Steel. Always rub with the grain using non-abrasive cleaning materials. AVOID detergents, drying agents, disinfectants or cleaning products in aerosol cans. NEVER use abrasive scouring powders on your hood! **Some cleaning chemicals may damage the hood finish!**

**BAFFLE FILTER CLEANING**—To remove Baffle Filters, remove center panel by pulling panel toward the front of the hood, lift up to remove. Move filters to the center of the hood, pull baffle towards the front of the hood and lift out. To remove grease tray, slide tray to the top of the hood and lift out. Grease will accumulate in grease tray. Clean with hot water and polish with stainless steel cleaner.

### **SLIM BAFFLE & ALUMINUM MESH FILTER CLEANING**

Clean filters often for the best performance. How often depends on cooking style. Use hot water and a degreaser to clean. **May be used in the dishwasher through the RINSE cycle ONLY. Some detergents may discolor filters.** For Slim Baffles polish baffle side with stainless steel cleaner.

## *Clean Fan, Filter and Grease Laden Surfaces **FREQUENTLY***

### **LIGHTING**

- LED BULB—PAR 20 FLOOD LAMP—DIMMABLE.

**Warning:** Do not use any bulbs that are not instructed by manufacturer.

**Your Imperial Warranty: KEEP your receipt. Proof of original purchase date is needed to obtain service under warranty.**

### **Deluxe Units: Seven Year Limited Warranty, Parts and Labor in the Continental USA. Parts only outside the United States.**

For seven years from date of original purchase, we will provide parts and service labor in your home to repair or replace any part of the hood that fails due to a manufacturing defect. Call for service at (800) 851-4192

**NOTE:** *Service companies will perform Warranty Service, Monday through Friday from 7 a.m.—4: p.m. The service company will call and schedule a date and time with a 4 hour window. If the service company arrives at your location, during the scheduled date and time, and no one is home, you will be charged a trip charge by the service company for a return service call.*

### **ITEMS IMPERIAL WILL NOT PAY FOR**

1. Service calls to correct the installation of your appliance, to instruct you how to use your appliance, to replace or repair house fuses or the correct housing wiring or plumbing.
2. Service calls to repair or replace appliance light bulbs or filters.
3. Repairs when your appliance is used for other than normal, single-family household use.
4. Damage resulting from accident, alteration, misuse, abuse, fire, flood, acts of God, improper installation, installation not in accordance with electrical or plumbing codes.
5. Replacement parts or repair costs for units operated outside the United States.
6. Pickup and delivery. This appliance is designed to be repaired in the home.
7. Repairs to parts or systems resulting from unauthorized modification made to the appliance.
8. Expenses for travel and transportation for product service in remote locations.
9. The removal and reinstallation of your appliance if it is installed in an inaccessible location or is not installed in accordance the published installation instructions.
10. Replacement parts or repair labor costs when the appliance is used in a country other than the country in which it was purchased.

# **SAFETY INSTRUCTIONS**

## Read and Save These Instructions

**Warning: To reduce the risk of fire, electrical shock or injury to persons, observe the following:**

- A. Use this unit only in the manner intended by the manufacturer. If you have any questions, contact the manufacturer. Before servicing or cleaning unit, switch power off at service panel and lock Service Disconnecting Means to prevent power from being switched on accidentally. When the Service Disconnecting Means cannot be locked, securely fasten a prominent warning device, such as a tag, to the service panel.

**Warning: To reduce the risk of a range top grease fire:**

- A. Never leave surface units unattended at high settings. Boil-overs cause smoking and greasy spillovers that may ignite. Heat oils slowly on low or medium settings.
- B. Always turn hood ON when cooking at high heat or when Flambéing foods (i.e. Crepes Suzette, Cherries Jubilee, Peppercorn Beef Flambé).
- C. Clean ventilating fans frequently. Grease should not be allowed to accumulate on fans or filters.
- D. Use proper pan size. Always use cookware appropriate for the size of the surface element.

**Warning: To reduce the risk of injury to persons in the event of a range top grease fire, observe the following:**

- A. SMOTHER FLAMES with a close-fitting lid, cookie sheet or metal tray, then turn off the burner. BE CAREFUL TO PREVENT BURNS. If flames do not go out immediately, EVACUATE AND CALL THE FIRE DEPARTMENT.
- B. NEVER PICK UP A FLAMING PAN - you may be badly burned.
- C. DO NOT USE WATER, including wet dishcloths or towels, violent steam explosion will result.
- D. Use an extinguisher ONLY if:
  - ⇒ You know you have a Class ABC extinguisher and you already know how to use it.
  - ⇒ The fire is small and contained in the area where it started.
  - ⇒ The fire department is being called.
  - ⇒ You can fight the fire with your back to an exit.

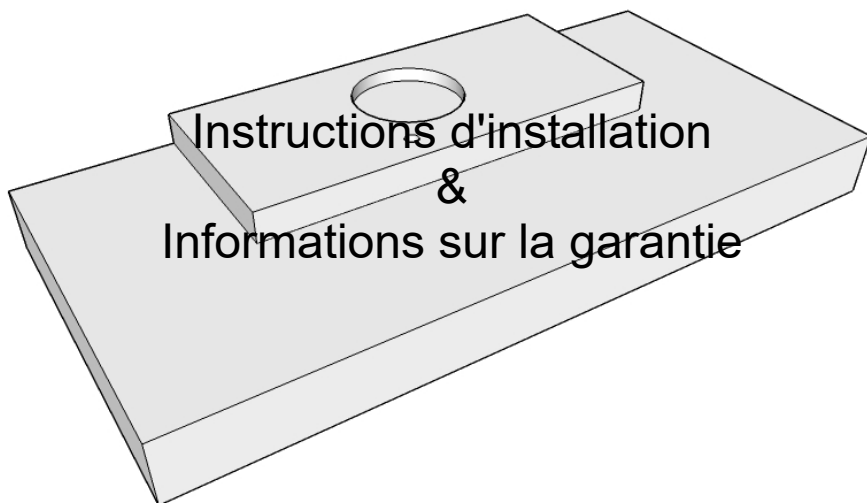
**Warning: To reduce the risk of fire, electrical shock or injury to persons, observe the following:**

- A. Installation work and electrical wiring must be done by a qualified person or persons in accordance with all applicable codes and standards, including fire-rated construction.
- B. Sufficient air is needed for proper combustion and exhausting of gases through the flue of fuel burning equipment to prevent back drafting. Follow the heating equipment manufacturer's guideline and safety standards such as those published by the National Fire Protection Association (NFPA), and the American Society for Heating, Refrigeration & Air Conditioning Engineers (ASHRAE), and the local code authorities.
- C. When cutting or drilling into a wall or ceiling, do not damage electrical wiring and other hidden utilities.
- D. Ducted fans must always be vented to the outdoors.

**Warning: To reduce risk of fire, use only Smooth Metal Ducting!**



## Liner alimenté—C2000



425 Rue Apollo  
Brea CA 92821  
[www.imperialhoods.com](http://www.imperialhoods.com)  
(800) 851-4192

**PROPRIÉTÉ DU PROPRIÉTAIRE DE LA MAISON,  
NE PAS JETER !**





**Lire avant de commencer l'Installation ! Inspecter avant d'installer votre hotte de cuisinière ! Les défauts cosmétiques doivent nous être signalés avant l'installation. Une fois cette hotte est installée, ICP n'acceptera aucune responsabilité pour toute les imperfections cosmétiques, rayures ou bosses dans la canopée. Enregistrer tous les emballages d'origine si vous voulez retourner pour n'importe quelle raison !**

**TOUT D'ABORD :**

Vérifiez vos locales de construction et les codes de l'électricité.

**AVERTISSEMENT :**

Pour réduire le risque d'incendie ou d'électrocution, ne pas utiliser n'importe quelle unité de moteur à deux vitesses avec un Solid State devise de contrôle.

**MISE EN GARDE :**

Pour réduire le risque d'incendie ou de lésions corporelles et pour bien évacuer l'air, n'oubliez pas d'évacuer l'air vers l'extérieur. N'évacuez pas l'air dans des espaces dans le mur, les greniers, les plafonds, les espaces confinés ou les garages. Pour une utilisation de ventilation générale seulement. N'utilisez pas pour épuiser dangereux ou des matières explosives et les vapeurs. Lorsque la décharge à l'extérieur faire conduit tourner aussi court et aussi droit que possible. Évitez d'utiliser des coudes si possible. Si les coudes sont utilisés, nous recommandons que le premier coude est 24 "d'ouverture sur le capot (minimum de 12 po) et au moins 24" entre elle et le coude du prochain. Nous ne recommandons vivement aucuns plus puis exécutez deux coudes de 90 degrés dans n'importe quel canal. **Aucune garantie de Performance lors de l'utilisation au-dessus des grilles de Style BBQ.**

N'utilisez pas conduit plus petite que la sortie du conduit d'ouverture sur le capot, cela réduira les performances et annuler la garantie. N'utilisez pas de conduits flexibles. Aussi, utilisez soit un capuchon de toit ou de mur à la course de fin. N'oubliez pas que tous les joints sont scellés solidement en place. Il est essentiel d'avoir la bonne distance entre le bas de la hotte et la table de cuisson ci-dessous. Dans la plupart des cas, les spécifications de fabricant appareil cuisson établira la distance minimale sécuritaire de feu requise, bien qu'il existe d'autres facteurs à considérer : LocalBâtimentCodes Traverser c'est à dire les mouvements d'air directionnel : ouvrir les fenêtres, prises d'air conditionné/chauffage, refroidissement, ventilateurs, etc.. Taille globale de l'appareil de cuisson et les surfaces environnantes de comptoir. Hotte d'aspiration modèle sélectionné.

Pour la meilleure distance de performance entre la surface et le fond de la hotte de cuisine est 30 "et 36". Consulter les codes locaux et spécifications de l'appareil. Gardez à l'esprit, augmente la distance diminue les performances.

**TWIN unités seulement-** Phase de transition de deux tuyaux en un seul n'est pas recommandé. SSFC est réduits de 25 % et la garantie de Performance seront annulée.



WARNING: This product can expose you to certain chemicals, which are known to the State of California to cause cancer or birth defects or other reproductive harm. For more information to go: [www.P65WARNINGS.ca.gov](http://www.P65WARNINGS.ca.gov).

## Détail d'Installation Liners alimenté :

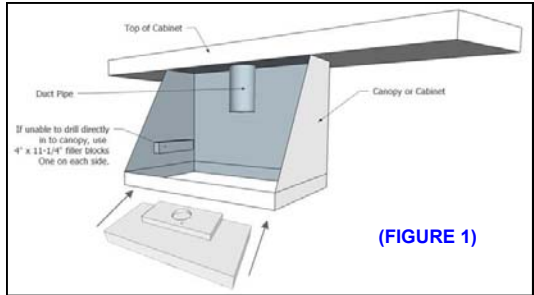
### MODEL MESH FILTERS

C2000SD2 (SD2-NV)  
C2000SD4 (SD4-12)  
C2000BP (BP1-duct is offset to the left)  
C2000PS  
C2000PS-IS22 (Island Application)  
C2000PS-IS28 (Island Application)

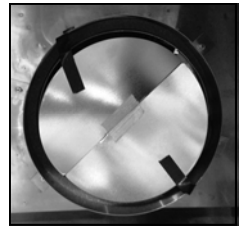
### MODEL BAFFLE FILTERS

C2000BPB  
C2000PSB  
C2000BP1-TW / TWB (**requires 2 duct pipes**)  
C2000PS1-TW / TWB (**requires 2 duct pipes**)

- 1 Line up doublure alimenté pour dessous d'armoire ou de la verrière. Si incapable de percer directement dans l'armoire ou verrière, utilisez les blocs de bois 4 "x 11-1/4" x 3/4" (Figure 1) à l'intérieur de la verrière, gauche et droite côté et fixer avec les vis.
- 2 Supprimer des filtres de doublure sous tension. Supprimer le **Noir** ruban adhésif qui maintient les lames clapet fermé. (Figure 2) (Il n'est pas recommandé d'utiliser deux 2 amortisseurs lors de l'installation. Vous avez la possibilité d'utiliser un clapet externe ou utiliser le clapet existant déjà sur notre unité.)
- 3 Relance et position propulsé doublure afin que le fond est à niveau avec armoire et vis dans les trous de chaque côté de la membrane. **Ne pas utiliser des supports moteur comme Points de préhension.** Le conduit ou les tuyaux doit glisser dans le collet de l'évent automatique joint. Supplémentaires du ruban adhésif peut être utilisé si nécessaire.
- 4 Si nécessaire, supplémentaires de montage à l'arrière de l'appareil : localiser les montants du mur, percez les trous arrière de puissance suffisante pour frapper les goujons et fixez la toile au mur avec des vis.
- 5 Doublures de l'île et la péninsule doivent être montés de la même manière, sauf qu'il n'y aura pas de montage paroi arrière.
- 6 Conduit Bring down 4" passé le fond de la cocotte. **Remarque :** Top box pour le **C2000BP1** montre ouverture décalée vers la gauche (en face de la hotte). La zone inférieure sera la même taille que les autres modèles.
- 7 Supprimer la boîte de jonction couvercle de C2000. (Veillez à respecter tous les codes de sécurité et les locaux d'électricité). **Unités doivent être câblés dur. Il n'est pas recommandé d'ajouter un cordon d'alimentation. Ajout d'un cordon d'alimentation peut se dégager des fils existants à l'intérieur de la boîte de jonction, causant des pannes électriques.**
- 8 Boîte de jonction crochet vers le haut de fils électriques et sécurisé à l'intérieur. Remplacer le couvercle de la boîte de jonction. Installer des lumières et remplacer les filtres. **Pour déflecteur installation des filtres, voir page installation d'un déflecteur.**



(FIGURE 1)



(FIGURE 2)

**Deux unités seulement** — Transition deux tuyaux en une seule est **pas** recommandé. SSFC sont réduits de 25 % et sera vide la garantie Performance.

**Indicateur de taille de conduit** -Nos unités standards ont un 7" rond qui peuvent être passés à 8" rond ou 10" rond pour augmenter pi3/min.

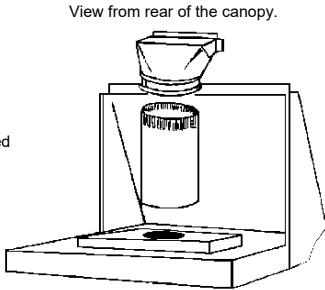
# Détail Installation Liners propulsé a continué :

## Série recyclée, (Non ventilé): C2000SD2-NV

Pour être incapable de clore la sècheuse au dehors de la structure.

Figure 1

Not Included

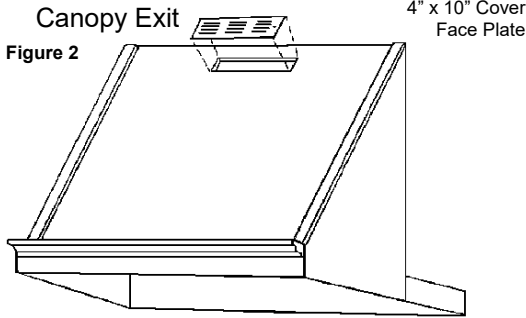


Included

La figure 1 :

La figure montre la transition de coude inclus de 7 "diamètre rond de 3 1/4 « x 10 » rectangulaire. Cette transition est utilisée pour retourner la filtrée à l'air à l'intérieur de la cuisine, soit par le biais de la verrière face du cas échéant le soffite ci-dessus. Le client doit fournir à la longueur appropriée de ligne droite 7 "tour de gaines qui relie la sortie de la hotte au coude transition.

Figure 2

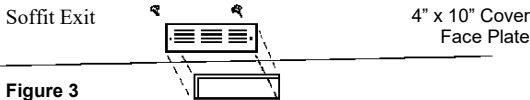


4" x 10" Cover Face Plate

La figure 2

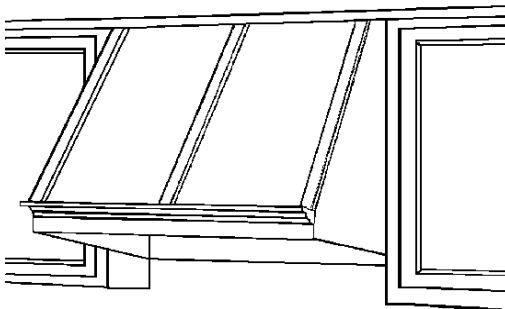
La figure deux montre une sortie d'air typique se terminant par le visage couvert. Un client fourni, décoratifs de 4 « x 10 » Registre couverture tête devrait servir à en finir avec la découpe de l'ouverture.

Soffit Exit



4" x 10" Cover Face Plate

Figure 3



La figure 3

La figure que 3 montre une sortie d'air typique se terminant par le visage de soffite directement au-dessus de la hotte. **Encore une fois, le client doit fournir une plaque frontale de Registre 4 po. x 10 po.**

**NOTE :** L'unité de NV C2000 est fournie avec des filtres à charbon qui sera accumuler de la graisse de cuisson et au fil du temps réduire la performance de hottes. Le montant et le style de la cuisine vont dictera combien de fois les filtres devraient être remplacés. Ce type de filtre est conçu pour le remplacement seulement. Contact Imperial d'acheter des filtres de rechange appropriée.

# Impériale Cal Products, Inc.

Pour commander des pièces ou annexe service, veuillez appeler notre bureau au (800) 851-4192 ou utiliser notre site Web... [www.imperialhoods.com](http://www.imperialhoods.com).

## PIÈCES :

Lorsque vous commandez des pièces nous avons besoin des informations suivantes : Numéro de modèle (pas les numéro de série) sur l'étiquette d'UL à l'intérieur de la hotte. Dimensions exactes (dans le cas des filtres)

Vous pouvez trouver le numéro de modèle à l'intérieur de votre hotte sur notre label UL. Il y a plusieurs numéros de modèle dans la liste, votre numéro de modèle doivent avoir un point de couleur ou de marque à côté de lui pour indiquer exactement le modèle vous avez.

Dans le cas de filtres, nous devons les **dimensions exactes du filtre nécessaire**. Indiquer de quel côté a les tirettes sur elle. Les filtres ne sont pas une pièce de rechange de garantie. Avec soin vos filtres doivent durer plusieurs ans.

Paiement sur pièces est assurée de trois façons : prépayé (vous envoyez un chèque avant l'expédition), appelez avec informations de carte de crédit, VISA ou MasterCard, morue ou argent comptant si vous décidez de "Appellera". **Our appellera heures sont de 08:30 à 03:30, du lundi au vendredi.**

## SERVICE :

Lors de l'appel service nous avons besoin des informations suivantes :

- Numéro de modèle (pas les numéro de série)
- Preuve d'achat
- Nom de l'entreprise qu'a été achetée le capot à travers.
- Nombre nom et téléphone de la personne à contacter pour configurer l'appel de service.
- Adresse complète de l'emplacement où le service doit être fait.

**La garantie est de sept ans, pièces et main-d'œuvre.**

## Entretien & garantie Information

Ce produit est le plus simple des exigences en matière de nettoyage. Pour supprimer les filtres de baffles, enlever le panneau Centre en tirant le panneau vers l'avant de la hotte, soulever pour la supprimer. Déplacer les filtres au centre du capot, déflecteur de tirer vers l'avant de la hotte et sortez. Pour retirer le bac à graisse, faites glisser le plateau vers le haut de la hotte et sortez. Filtres propres souvent pour des performances optimales. Combien de fois dépend de quantité et le type de cuisson. Utilisez l'eau chaude et un produit dégraissant pour nettoyer. **Peut être utilisée dans le lave-vaisselle, selon les détergents, les filtres peuvent décolorer.** Lors du nettoyage d'une hotte peinte, lavez-le avec de l'eau savonneuse tiède ! Essuyez la hotte soigneusement à l'eau claire et séchez avec un chiffon doux. Quand acier inoxydable utiliser un nettoyant pour acier inoxydable. Toujours frotter avec le grain à l'aide de produits de nettoyage non abrasif. Évitez les détergents, de désinfectants ou de produits nettoyants en aérosol. N'utilisez jamais de poudre à récurer abrasive sur votre capot ! Certains produits chimiques de nettoyage peuvent endommager la fini de la hotte !

### *Clean Fan, Filter and Grease Laden Surfaces FREQUENTLY*

- LED BULB—PAR 20 FLOOD LAMP—DIMMABLE.

**Mise en garde :** Ne pas utiliser des ampoules qui ne sont pas mandatés par fabricant.

**Votre garantie impériale :** **Preuve de la date d'achat est requise pour obtenir la service sous garantie.**

**Unités de luxe :** **Garantie limitée de 7 ans, pièces et main-d'œuvre aux USA continentaux. Pièces uniquement en dehors des États-Unis.**

Pendant sept ans à compter de la date d'achat initiale, nous fournissons des pièces et la main-d'œuvre service à votre domicile pour réparer ou remplacer toute partie de la hotte qui échoue en raison d'un défaut de fabrication. Appel de service au (800) 851-4192

**REMARQUE :** *Sociétés de services effectuera le Service sous garantie, lundi au vendredi, de 7 a.m.—4: h La société service appellera et programmer une date et heure avec une fenêtre de 4 heures. Si la société de service arrive à votre emplacement, au cours de la date prévue et l'heure, et personne n'est à la maison, vous serez facturé frais de transport par la société de service pour une visite de retour de service.*

#### **ÉLÉMENTS IMPÉRIAL NE PAIERA PAS POUR**

1. Les visites de service pour corriger l'installation de votre appareil, pour expliquer comment utiliser votre appareil, remplacer ou réparer les fusibles, le câblage du logement correct ou la plomberie.
2. Les visites de service pour réparer ou remplacer l'appareil des ampoules ou des filtres.
3. Réparations lorsque l'appareil est utilisé pour les autres que l'usage unifamilial normal.
4. Dommages causés par accident, altération, mauvaise utilisation, abus, incendie, inondation, cas de force majeure, une mauvaise installation, installation non conforme électrique ou codes de plomberie.
5. Pièces de rechange ou des frais de réparation pour les unités utilisées en dehors des États-Unis.
6. Cueillette et livraison. Cet appareil est conçu pour être réparé dans la maison.
7. Réparations aux pièces ou systèmes résultant d'une modification non autorisée sur l'appareil.
8. Frais de transport pour le service de produit dans des endroits éloignés.
9. La dépose et la réinstallation de votre appareil si celui-ci est installé dans un endroit inaccessible ou n'est pas installé conformément aux instructions d'installation publiées.
10. Pièces de rechange ou des frais de réparation lorsque l'appareil est utilisé dans un pays autre que le pays dans lequel il a été acheté.

# **CONSIGNES DE SÉCURITÉ**

Lire et conserver ces Instructions

## **AVERTISSEMENT : Pour réduire le risque d'incendie, de chocs électriques ou de blessures, respectez les points suivants :**

- ◆ Utilisez cet appareil que de la façon prévue par le fabricant. Si vous avez des questions, contactez le fabricant. Avant de réparer ou de nettoyer l'appareil, coupez l'alimentation électrique hors tension au panneau électrique et verrouillez Service moyens de déconnexion pour éviter sa marche accidentellement. Si les moyens de déconnexion du Service ne peut être verrouillés, fixez un avertisseur éminents, comme une étiquette, sur le panneau de service.

## **AVERTISSEMENT : Pour réduire le risque d'une gamme prendrait feu :**

- ◆ Jamais laisser des éléments de surface sans surveillance à vif. Débordements provoquent des fumeurs et graisseux des débordements qui peuvent s'enflammer. Faire chauffer les huiles lentement sur les réglages de faibles ou moyennes.
- ◆ Toujours allumer la hotte lorsque vous cuisinez à feu vif ou quand flamber des aliments (p. ex.: crêpes Suzette,
- ◆ Cerises jubilé, steak au poivre Flambé).
- ◆ Propres ventilateurs fréquemment. Graisse ne puissent pas s'accumuler sur les ventilateurs ou les filtres.
- ◆ Utilisez pan de bonne taille. Toujours utiliser des ustensiles de cuisson adaptée à la taille de l'élément de surface.

## **AVERTISSEMENT : Pour réduire le risque de blessures corporelles dans le cas d'une cuisinière incendie de graisse, respectez les points suivants :**

- ◆ Éteuffez les flammes avec un couvercle hermétique, une tôle à biscuits ou un plateau métallique, puis éteignez le brûleur. VEILLEZ À ÉVITER LES BRÛLURES. Si les flammes ne vont pas sortir immédiatement, évacuer et appeler les pompiers.
- ◆ Ne prenez jamais un poêlon - vous pourriez vous brûler gravement.
- ◆ N'utilisez pas d'eau, mouillés ou serviettes, explosion de vapeur.
- ◆ Utilisez un extincteur seulement si :
- ◆ Vous savez que vous avez un extincteur de classe ABC et vous savez déjà comment l'utiliser.
- ◆ L'incendie est petit et limité à l'endroit où il a débuté.
- ◆ Le service des incendies est appelé.
- ◆ Vous pouvez combattre le feu avec le dos à une sortie.

## **AVERTISSEMENT : Pour réduire le risque d'incendie, de chocs électriques ou de blessures, respectez les points suivants :**

- ◆ Travaux d'installation et le câblage électrique doivent être faits par une personne qualifiée ou personnes conformément aux codes et normes, y compris la construction résistante au feu.
- ◆ Quantité d'air suffisante est nécessaire pour assurer la combustion et l'évacuation des gaz par le conduit de l'appareil pour éviter tout refoulement. Suivre et sécurité les normes les directives du fabricant de l'équipement de chauffage telles que celles publiées par la National Fire Protection Association (NFPA) et l'American society for Heating, Refrigeration & Air conditioning Engineers (ASHRAE), and des autorités locales.
- ◆ Quand coupant ou perçant un mur ou un plafond n'endommagent pas câblage électrique et autres caches utilitaires.
- ◆ Ventilateurs de recirculation doivent toujours se faire vers l'extérieur.



**WARRANTY CARD**

**To better serve you with your service and warranty needs, please fill out the purchase and product information and return to Imperial Cal Products.**

**CUSTOMER NAME:** \_\_\_\_\_

**PURCHASED FROM:** \_\_\_\_\_

**PURCHASE DATE:** \_\_\_\_\_

**MODEL #:** \_\_\_\_\_

**SERIAL #**

(Serial # beneath filters on white label)

**Warranty card can be submitted via our website at:**  
[www.imperialhoods.com](http://www.imperialhoods.com) or by mail.

**KEEP RECEIPT .MUST provide proof of original purchase, date is needed to obtain service under warranty.**

Mail warranty card to:

**Imperial Cal Products  
ATTN: Warranty Department  
425 Apollo St.  
Brea, CA 92821**

Or visit our website to complete warranty registration:

**[www.imperialhoods.com](http://www.imperialhoods.com)**