

Installation Instructions

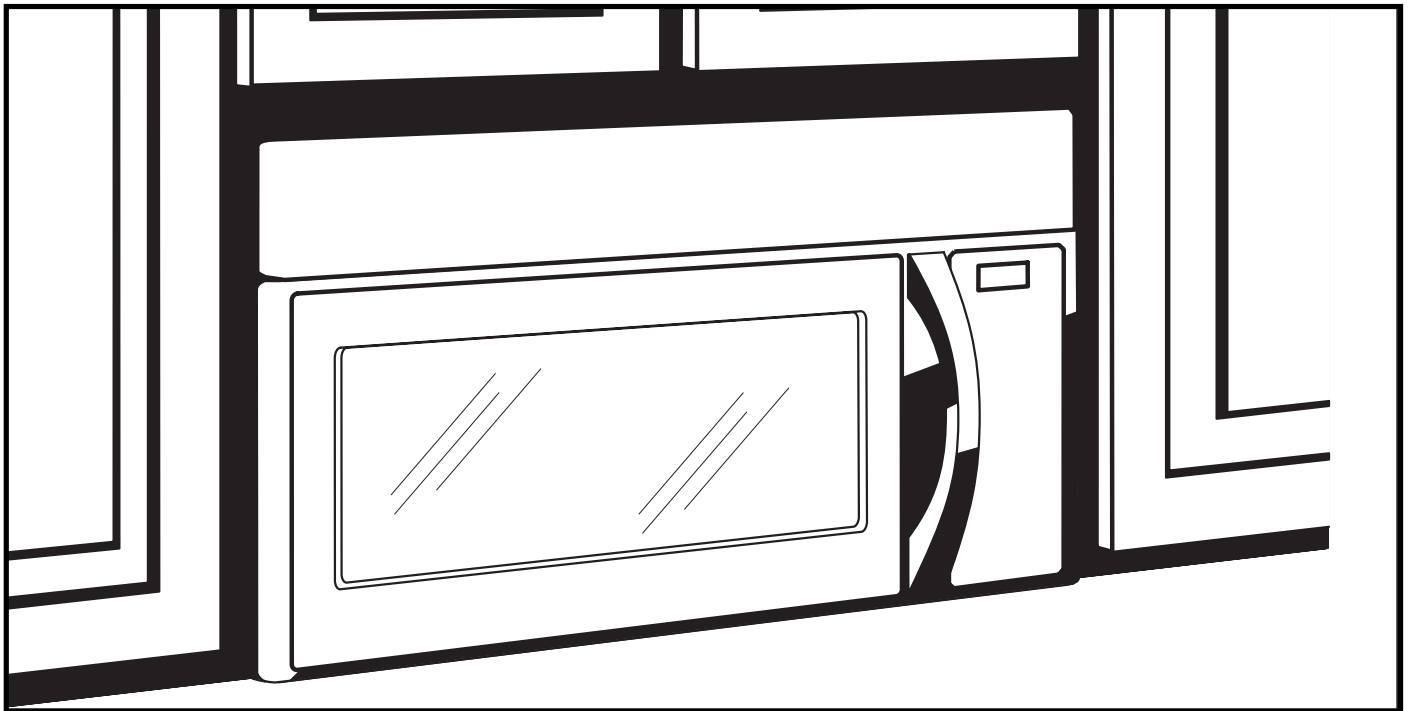
Over the Range Microwave Oven

Questions? Call 1-800-944-9044(US) or 1-800-265-8352(Canada)

BEFORE YOU BEGIN

Read these instructions completely and carefully.

- **IMPORTANT** – Save these instructions for local inspector's use.
- **IMPORTANT** – Observe all governing codes and ordinances.
- **Note to Installer** – Be sure to leave these instructions with the Consumer.
- **Note to Consumer** – Keep these instructions for future reference.
- **Skill level** – Installation of this appliance requires basic mechanical and electrical skills.
- Proper installation is the responsibility of the installer.
- Product failure due to improper installation is not covered under the Warranty.



**READ CAREFULLY.
KEEP THESE INSTRUCTIONS.**

p/n A06823436
May 2022

Installation Instructions

CONTENTS

General information

Important Safety Instructions	3
Electrical Requirements	3
Damage – Shipment/Installation	4
Parts Included	4
Tools You Will Need	5
Mounting Space	5

Step-by-step installation guide

Placement of The Mounting Plate	6–8
Removing the Mounting Plate	6
Finding the Wall Studs	6
Determining Wall Plate Location	7
Aligning the Wall Plate	8

Installation Types.....9

A Recirculating	10–13
Attach Mounting Plate to Wall	10
Preparation of Top Cabinet	11
Check Blower Plate	11
Mount the Microwave Oven	11–12
Installing or Change the Charcoal Filter	12-13
Hood Exhaust	14-15

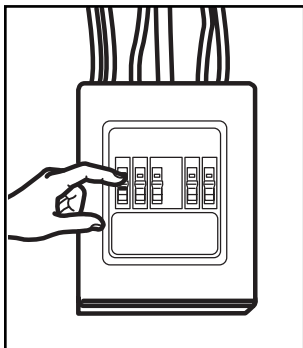
B Outside Back Exhaust.....	16–19
Preparing Rear Wall for Outside Back Exhaust.....	16
Remove Blower Plate	16
Attach Mounting Plate to Wall	17
Preparation of Top Cabinet	17
Adapting Microwave Blower for Outside Back Exhaust.....	17–18
Mount the Microwave Oven	19

C Outside Top Exhaust	20-23
Attach Mounting Plate to Wall.....	20
Preparation of Top Cabinet.....	21
Adapting Microwave Blower for Outside top Exhaust	21-22
Checking for Proper Damper Operation.....	22
Mount the Microwave Oven	22-23
Adjust the Exhaust Adaptor	23
Connecting Ductwork.....	23
Before You Use Your Microwave	24
Template Information	25

Installation Instructions

IMPORTANT SAFETY INSTRUCTIONS

This product requires a three-prong grounded outlet. The installer must perform a ground continuity check on the power outlet box before beginning the installation to ensure that the outlet box is properly grounded. If not properly grounded, or if the outlet box does not meet electrical requirements noted (under ELECTRICAL REQUIREMENTS), a qualified electrician should be employed to correct any deficiencies.



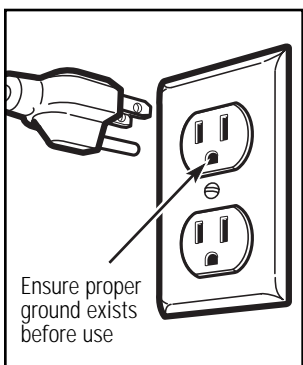
CAUTION: For personal safety, remove house fuse or open circuit breaker before beginning installation to avoid severe or fatal shock injury.

CAUTION: For personal safety, the mounting surface must be capable of supporting the cabinet load, in addition to the added weight of this 63–85 pound (28.5–38.5 kg) product, plus additional oven loads of up to 50 pounds (22.7 kg) or a total weight of 113–135 pounds (51.3–61.2 kg).

CAUTION: For personal safety, this product cannot be installed in cabinet arrangements such as an island or a peninsula. It must be mounted to BOTH a top cabinet AND a wall.

NOTE: For easier installation and personal safety, it is recommended that two people install this product.

IMPORTANT – PLEASE READ CAREFULLY. FOR PERSONAL SAFETY, THIS APPLIANCE MUST BE PROPERLY GROUNDED TO AVOID SEVERE OR FATAL SHOCK.



The power cord of this appliance is equipped with a three-prong (grounding) plug which mates with a standard three-prong (grounding) wall receptacle to minimize the possibility of electric shock hazard from this appliance.

You should have the wall receptacle and circuit checked by a qualified electrician to make sure the receptacle is properly grounded.

Where a standard two-prong wall receptacle is encountered, it is very important to have it replaced with a properly grounded three-prong wall receptacle, installed by a qualified electrician.

DO NOT, UNDER ANY CIRCUMSTANCES, CUT, DEFORM OR REMOVE ANY OF THE PRONGS FROM THE POWER CORD. DO NOT USE WITH AN EXTENSION CORD.

ELECTRICAL REQUIREMENTS

Product rating is 120 volts AC, 60 Hertz, 15 amps and 1.6 kilowatts. This product must be connected to a separate and dedicated supply circuit of the proper voltage and frequency. Wire size must conform to the requirements of the National Electrical Code or the prevailing local code for this kilowatt rating. The power supply cord and plug should be brought to a separate and dedicated 15- to 20- ampere branch circuit single grounded outlet. The outlet box should be located in the cabinet above the microwave oven. The outlet box and supply circuit should be installed by a qualified electrician and conform to the National Electrical Code or the prevailing local code.


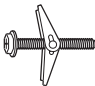


Installation Instructions

DAMAGE—SHIPMENT/ INSTALLATION

- If the unit is damaged in shipment, return the unit to the store in which it was bought for repair or replacement.
- If the unit is damaged by the customer, repair or replacement is the responsibility of the customer.
- If the unit is damaged by the installer (if other than the customer), repair or replacement must be made by arrangement between customer and installer.

PARTS INCLUDED



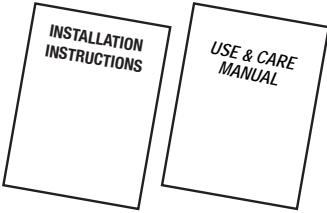
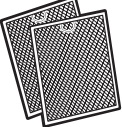
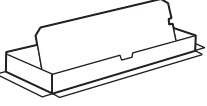





HARDWARE PACKET

PART		QUANTITY
	Wood Screws (1/4" x 2")	2
	Toggle Bolts (and wing nuts) (3/16" x 3")	2
	Self-Aligning Machine Screws (1/4"-28 x 3 1/4")	3
	Nylon Grommet (for metal cabinets)	1

You will find the installation hardware contained in a packet with the unit. Check to make sure you have all these parts.

NOTE: Some extra parts are included.

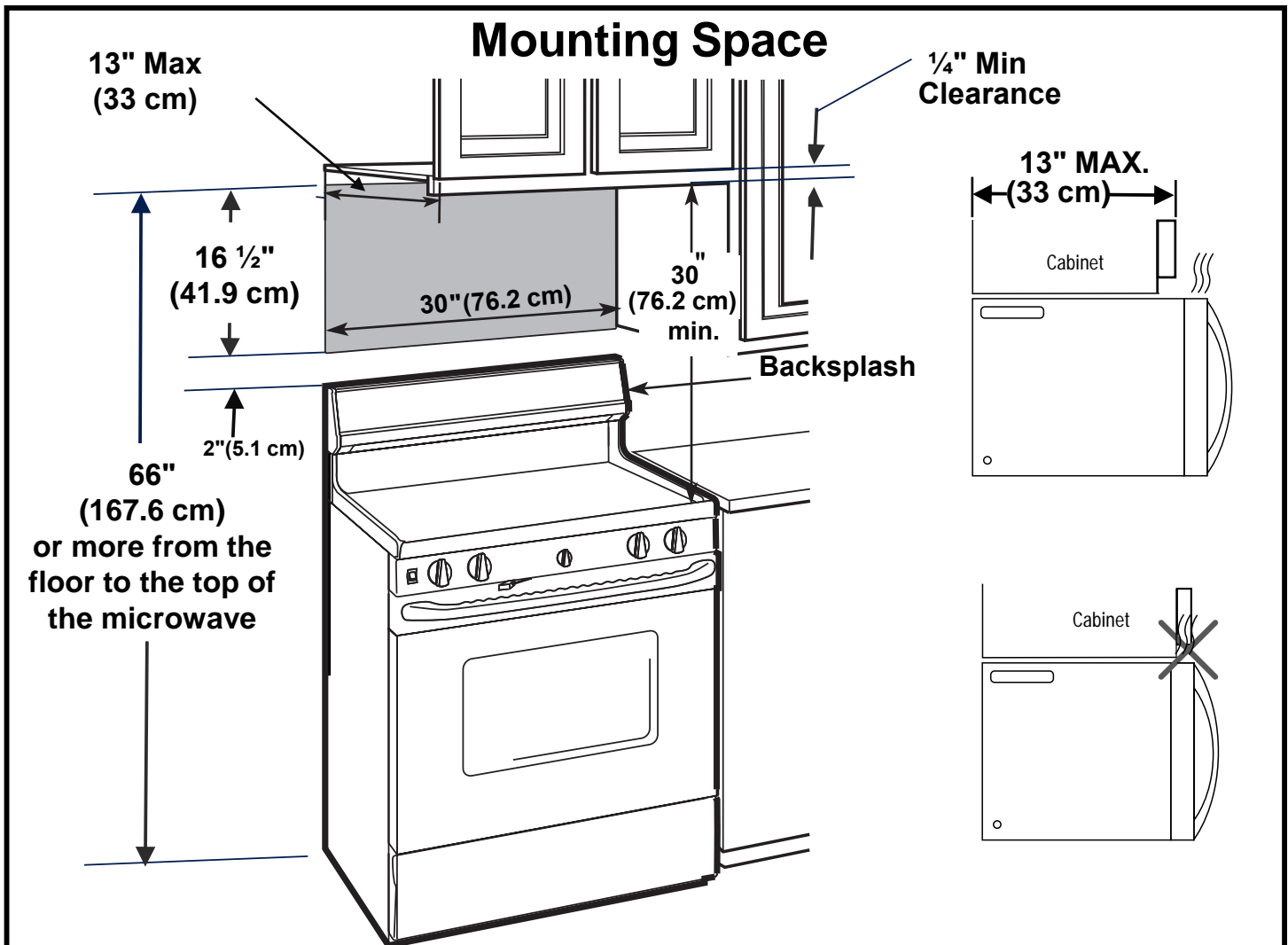
PARTS INCLUDED (CONT.) ADDITIONAL PARTS

PART		QUANTITY
	Top Cabinet Template	1
	Rear Wall Template	1
	Installation Instructions	1
	Use & Care Manual	1
	Separately Packed Grease Filters	2
	Exhaust adaptor	1
	Glass Tray	1
	Turntable Ring	1
For some models 	Convection wire rack	1
For some models 	Shelf	1
	Charcoal Filter	1

Installation Instructions

Tools you will need:

- Tape measure
- Hole saw
- Stud finder or hammer
- Level
- Duct and masking tape
- Scissors
- #1 Phillips screw driver
- Electric drill
- 3/16", 1/2", 5/8" drill bit
- Filler wood blocks for recessed bottom cabinets
- Tin snips



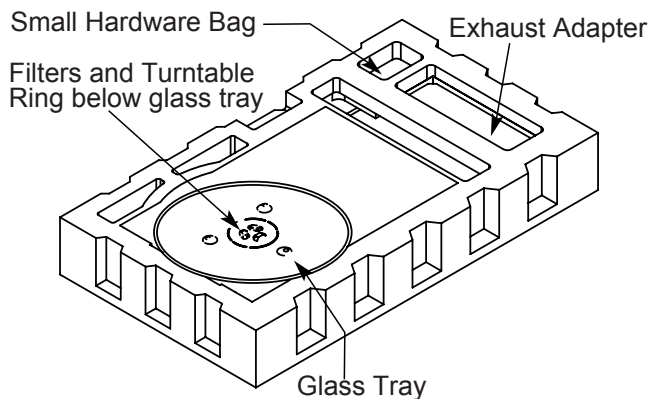
- The space between the cabinets must be 30" (76.2 cm) wide and free of obstructions.
- If you are going to vent your microwave oven to the outside, see Hood Exhaust Section for exhaust duct preparation
- When installing the microwave oven beneath smooth, flat cabinets, be careful to follow the instructions on the top cabinet template for power cord clearance.
- As a guide to installation, see page 26 for Mounting Template Information.
- If the cabinet depth, including the cabinet doors, is more than 13", then the unit must be spaced out from wall using adequate materials supporting 150 lbs to allow proper top vent air exhaust/intake.

Installation Instructions

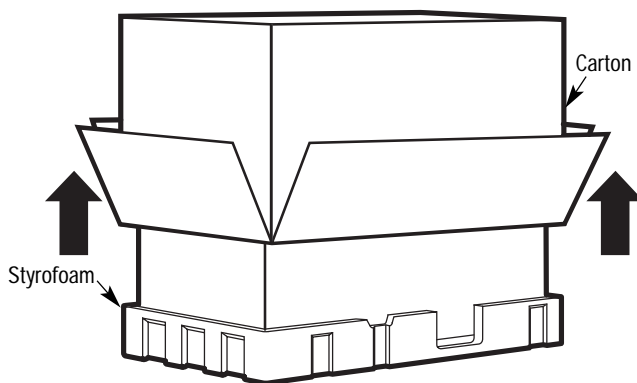
1 PLACEMENT OF THE MOUNTING PLATE

A. REMOVING THE MICROWAVE OVEN FROM THE CARTON/ REMOVING THE MOUNTING PLATE

- 1 Remove the installation instructions, use and care, exhaust adapter, turntable ring, shelf, filters, glass tray and the small hardware bag. Do not remove the Styrofoam protecting the front of the oven. please note: Do Not Remove plastic plug protective cover until just before hanging the unit.

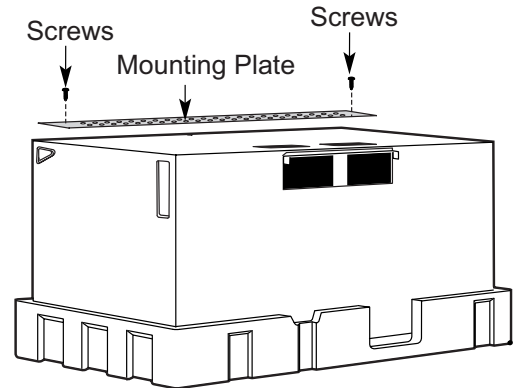


- 2 Fold back all 4 carton flaps fully against carton sides. Then carefully roll the oven and carton over onto the top side. The oven should be resting in the Styrofoam.



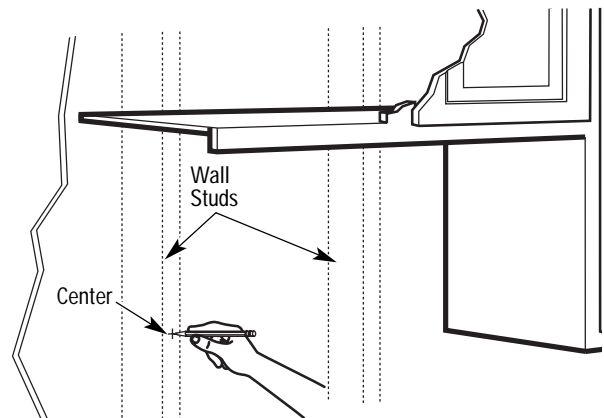
- 3 Pull the carton up and off the oven.

- 4 Cut the middle of the outer protective plastic bag to remove the mounting plate



- 5 Remove the screws from each end of the mounting plate. This plate will be used as the rear wall template and for mounting. Reinstall the screws into the holes where they were removed.

B. FINDING THE WALL STUDS



- 1 Find the studs, using one of the following methods:

- A. Stud finder – a magnetic device which locates nails.
- B. Use a hammer to tap lightly across the mounting surface to find a solid sound. This will indicate a stud location.

- 2 After locating the stud(s), find the center by probing the wall with a small nail to find the edges of the stud. Then place a mark halfway between the edges. The center of any adjacent studs should be 16" (40.6 cm) or 24" (61 cm) from this mark.

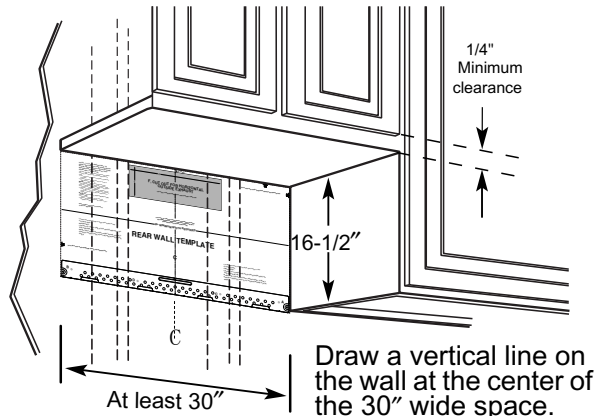
- 3 Draw a line down the center of the studs.

THE MICROWAVE MUST BE CONNECTED TO AT LEAST ONE WALL STUD.

Installation Instructions

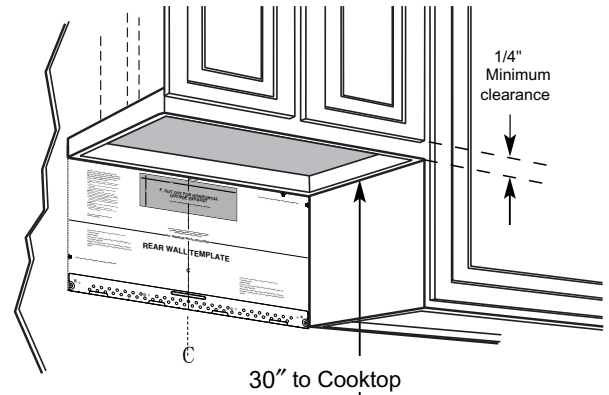
C. DETERMINING WALL PLATE LOCATION UNDER YOUR CABINET

Plate position-beneath flat bottom cabinet



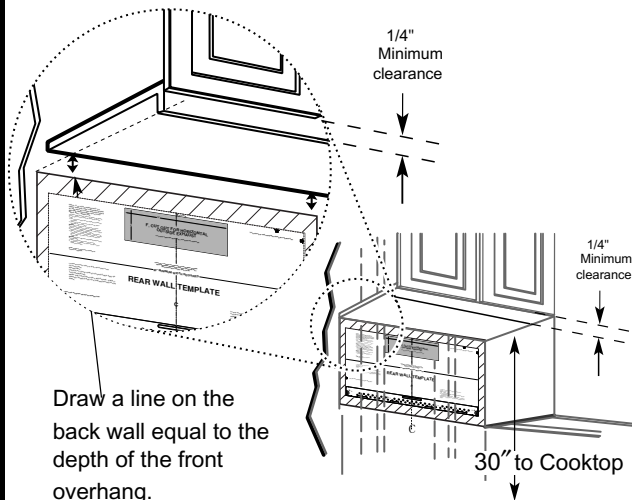
Draw a vertical line on the wall at the center of the 30" wide space.
Tape the Rear Wall Template onto the wall matching the centerline and touching the bottom of the cabinet.

Plate position-beneath framed recessed cabinet bottom



Draw a vertical line on the wall at the center of the 30" space.
Tape the Rear Wall Template onto the wall matching the centerline and touching the bottom cabinet frame.

Plate position-beneath recessed bottom cabinet with front overhang



Draw a line on the back wall equal to the depth of the front overhang.

Your cabinets may have decorative trim that interferes with the microwave installation. Remove the decorative trim to install the microwave properly and to make it level.

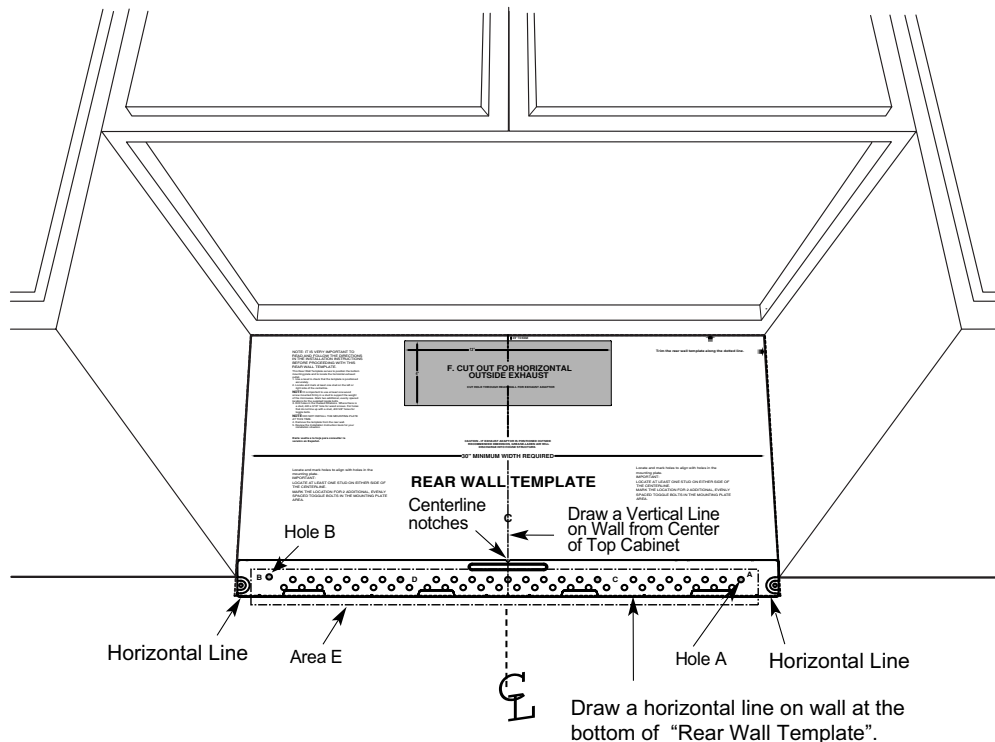
THE MICROWAVE MUST BE LEVEL.

Use a level to make sure the cabinet bottom is level. If the cabinets have a front overhang only, with no back or side frame, install the mounting plate down the same distance as the front overhang depth. This will keep the microwave level.

- 1 Measure the inside depth of the front overhang.
- 2 Draw a horizontal line on the back wall an equal distance below the cabinet bottom as the inside depth of the front overhang.
- 3 For this type of installation with front overhang only, align the mounting tabs with this horizontal line, not touching the cabinet bottom as described in Step D.

Installation Instructions

D. ALIGNING THE WALL PLATE



- 1 Draw a vertical line on the wall at the center of the 30" wide space.
- 2 Draw a horizontal line on the wall at the bottom of "Rear Wall Template".
- 3 Find a wall stud in area "E" of mounting plate Refer to section 1B. Finding the wall studs.
- 4 For attaching the mounting plate into stud drill a 3/16" hole into wood stud. Drill a 5/8" hole for toggle bolt in 1 other location (Hole A or Hole B)
NOTE: DO NOT MOUNT THE PLATE AT THIS TIME.

NOTE: Holes A and B are inside area E. If neither of Holes A and B are not in a stud, find a stud somewhere in area E and draw a circle to line up with the stud. It is important to have **at least one wood screw** mounted **firmly in a stud** to support the weight of the microwave. **Set the mounting plate aside.**

Installation Instructions

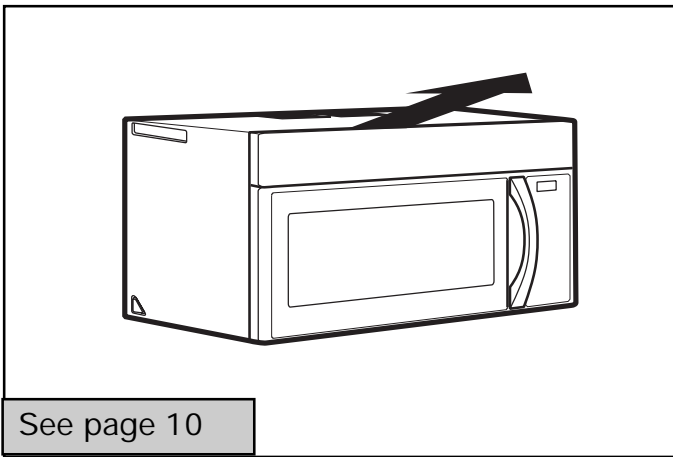
2 INSTALLATION TYPES (Choose A, B or C)

This microwave oven is designed for adaptation to the following three types of ventilation:

- A. Recirculating (Non-Vented Ductless)
- B. Outside Back Exhaust (Horizontal Duct)
- C. Outside Top Exhaust (Vertical Duct)

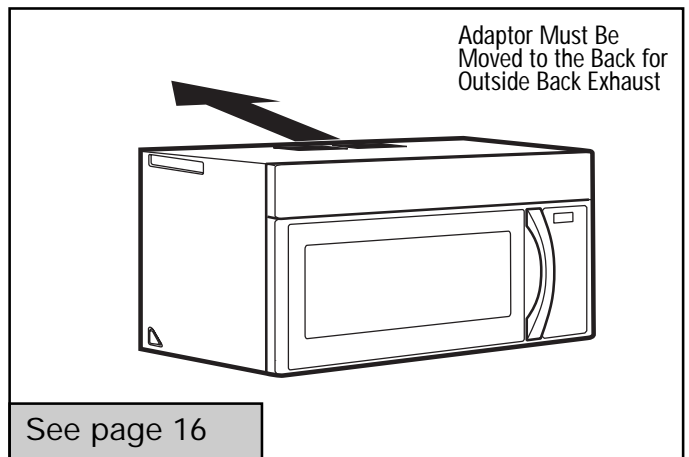
NOTE: This microwave is shipped assembled for Recirculating. Select the type of ventilation required for your installation and proceed to that section.

A RECIRCULATING (NON-VENTED DUCTLESS)

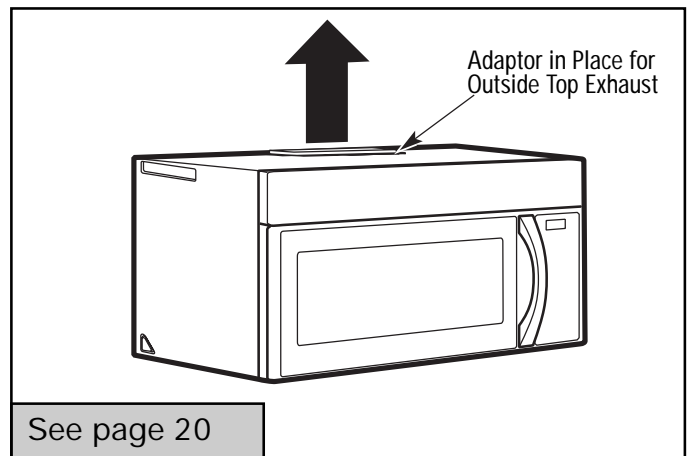


Models are shipped for recirculating exhaust. Some models have a disposable charcoal filter installed to help remove smoke and odors.

B OUTSIDE BACK EXHAUST (HORIZONTAL DUCT)



C OUTSIDE TOP EXHAUST (VERTICAL DUCT)



NOTE: Read the pages 14-15 only if you plan to vent your exhaust to the outside. If you plan to recirculate the air back into the room, proceed to page 10.

Installation Instructions

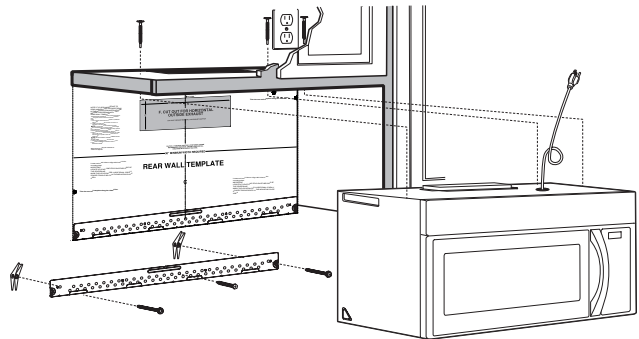
A RECIRCULATING (Non-Vented Ductless)

INSTALLATION OVERVIEW

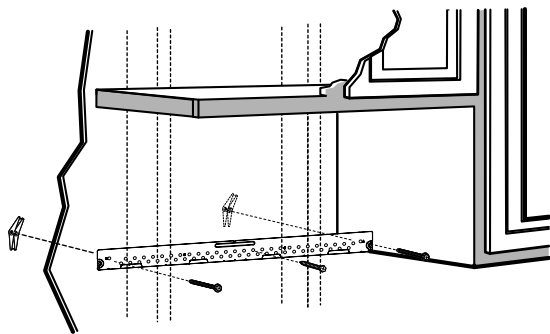
- A1. Attach Mounting Plate to Wall
- A2. Prepare Top Cabinet
- A3. Check Blower Plate
- A4. Mount the Microwave Oven
- A5. Install or change Charcoal Filter

IMPORTANT NOTES:

- Make sure the screws for the blower motor and blower plate are securely tightened when they are reinstalled. This will help to prevent excessive vibration.
- Make sure the motor wiring has been properly routed and secured, and that the wires are not pinched.



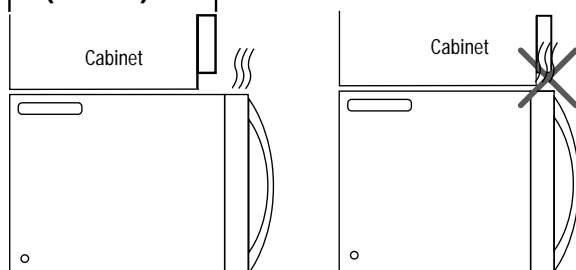
A1. ATTACH THE MOUNTING PLATE TO THE WALL



Attach the plate to the wall using toggle bolts. At least one wood screw must be used to attach the plate to a wall stud.

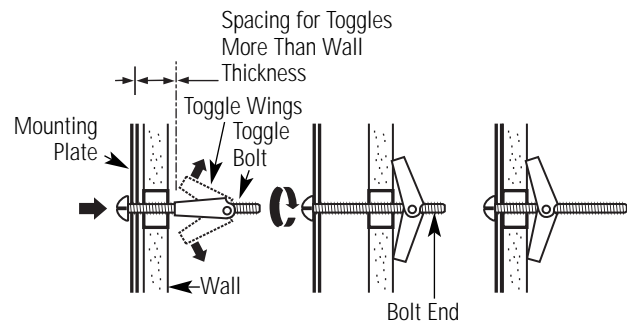
NOTE: If the cabinet depth including the cabinet doors is more than 13" then the unit must be spaced out from wall using adequate materials supporting 150 lbs to allow proper top vent air exhaust/intake.

13" MAX.
(33 cm)



- 1 Remove the toggle wings from the bolts.
- 2 Insert the bolts into the mounting plate through the holes designated to go into drywall and reattach the toggle wings to $\frac{3}{4}$ " (19 mm) onto each bolt.

To use toggle bolts:



- 3 Place the mounting plate against the wall and insert the toggle wings into the holes in the wall to mount the plate.

NOTE: Before tightening toggle bolts and wood screw, make sure the bottom of the mounting plate touch the bottom of the cabinet when pushed flush against the wall and that the plate is properly centered under the cabinet.

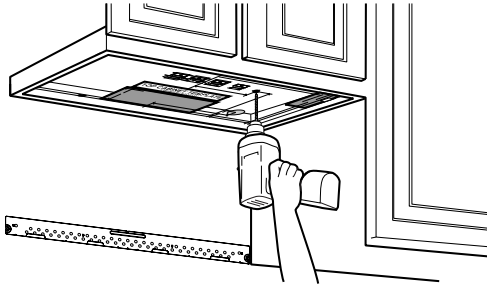
CAUTION: Be careful to avoid pinching fingers between the back of the mounting plate and the wall.

- 4 Tighten all bolts. Pull the plate away from the wall to help tighten the bolts.

Installation Instructions

A2. USE TOP CABINET TEMPLATE FOR PREPARATION OF TOP CABINET

You need to drill holes for the top support screws and a hole large enough for the power cord to fit through.



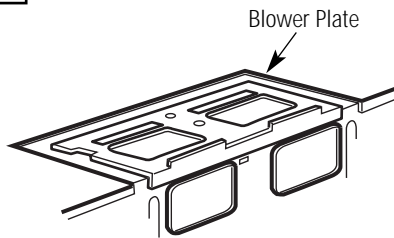
- Read the instructions on the TOP CABINET TEMPLATE.
- Tape it underneath the top cabinet.

NOTE: Adjust top template accordingly if the microwave is being spaced out from the wall due to cabinet depth (including cabinet doors) of more than 13".

- Drill the holes, following the instructions on the TOP CABINET TEMPLATE.

CAUTION: Wear safety goggles when drilling holes in the cabinet bottom.

A3. CHECK BLOWER PLATE



- Place the microwave in its upright position, with the top of the unit facing up.
- Check to see that the blower plate is correctly installed on the unit.

A4. MOUNT THE MICROWAVE OVEN



FOR EASIER INSTALLATION AND PERSONAL SAFETY, WE RECOMMEND THAT **TWO PEOPLE INSTALL THIS MICROWAVE OVEN.**

IMPORTANT: Do not grip or use the handle or heat shield during installation. Do not remove the cardboard spacers between the heat shield and door.

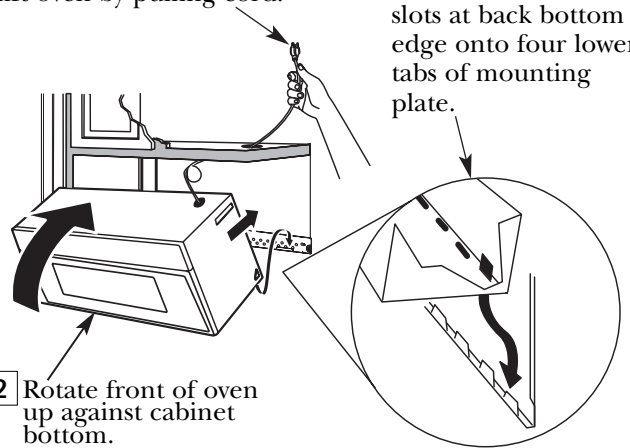
NOTE: If your cabinet is metal, use the nylon grommet around the power cord hole to prevent cutting of the cord.

NOTE: We recommend using filler blocks if the cabinet front hangs below the cabinet bottom shelf.

IMPORTANT: If filler blocks are not used, case damage may occur from overtightening screws.

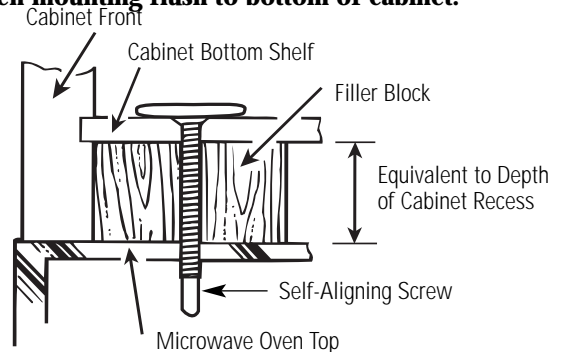
NOTE: When mounting the microwave oven, thread power cord through hole in bottom of top cabinet. Keep it tight throughout Steps 1-3. Do not pinch cord or lift oven by pulling cord.

- 1 Lift microwave, tilt it forward, and hook slots at back bottom edge onto four lower tabs of mounting plate.



- 2 Rotate front of oven up against cabinet bottom.

- 3 Insert a self-aligning screw through top center cabinet hole. Temporarily secure the oven by turning the screw at least **two full turns** after the threads have engaged. (It will be completely tightened later.) **Be sure to keep power cord tight. Be careful not to pinch the cord, especially when mounting flush to bottom of cabinet.**

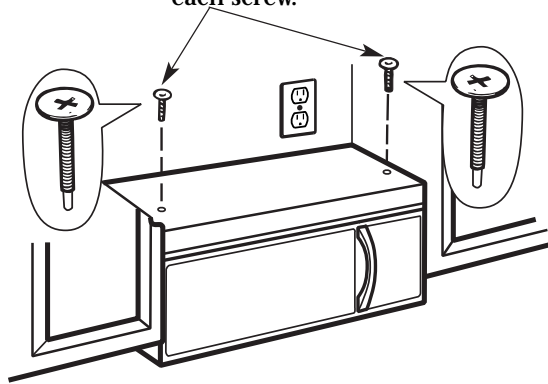


- 4 Attach the microwave oven to the top cabinet.

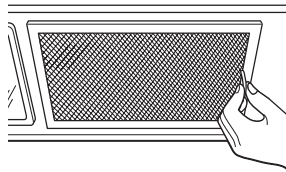
Installation Instructions

A4. MOUNT THE MICROWAVE OVEN (cont.)

- 5 Insert 2 self-aligning screws through outer top cabinet holes. Turn two full turns on each screw.



- 7 Tighten the outer two screws to the top of the microwave oven. (While tightening screws, hold the microwave oven in place against the wall and the top cabinet.)



- 8 Install grease filters. See the Use and Care packed with the microwave.

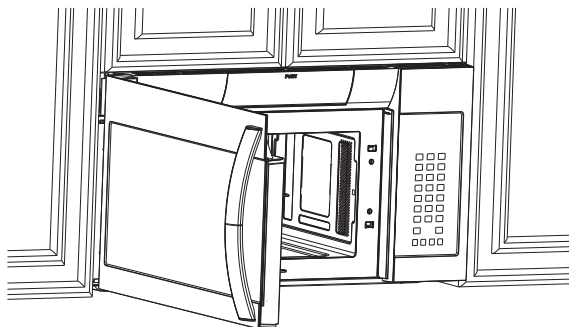
A5. INSTALLING OR CHANGE THE CHARCOAL FILTER (Some Models)

NOTE: The charcoal filter is factory installed in some models. Refer to the Use and Care to see if yours is factory installed and for replacement information.

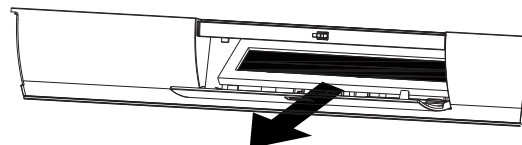
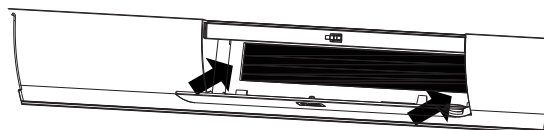
For models without the recirculation filter access door, follow these steps to replace or install a charcoal filter.

- A 5.1 Unplug microwave oven or disconnect power.

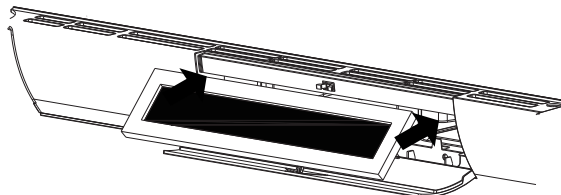
- A 5.2 Open the microwave door and push the "PUSH" position on the Vent, and then the cover open.



- A 5.3 Remove the charcoal filter by pushing the top of the filter inwards, then pull it forward out from the unit.



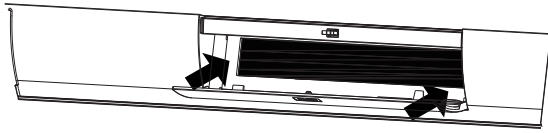
- A 5.4 Slide the top of the new charcoal filter into the top of the filter cavity.



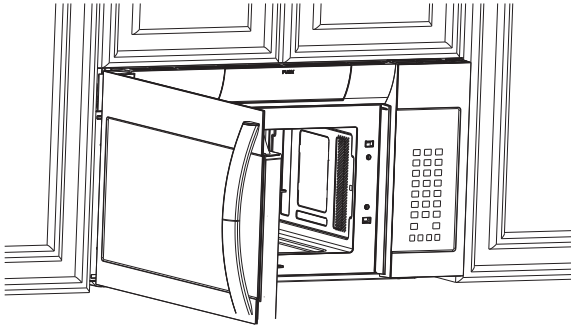
Installation Instructions

A5. INSTALLING OR CHANGE THE CHARCOAL FILTER(cont.)

- A 5.5 Press the bottom of charcoal filter to place it into the correct position.



- A 5.6 Then close vent's cover.



- A 5.7 Close the microwave door. Plug in microwave oven or reconnect power.

Installation Instructions

INSTALLATION INSTRUCTIONS FOR EXTERNAL EXHAUST DUCTING

NOTE: If you need to install ducts, note that the total duct length of 3¼" x 10" (8.2 x 25.4 cm) rectangular or 5" (12.7 cm) diameter/ 6" (15.2 cm) diameter round duct **should not exceed 140 equivalent feet (42.7 m).**

Outside ventilation requires an EXTERNAL EXHAUST DUCT. Read the following carefully.

NOTE: It is important that venting be installed using the most direct route and with as few elbows as possible. This ensures clear venting of exhaust and helps prevent blockages. **Also, make sure dampers swing freely and nothing is blocking the ducts.**

Exhaust connection:


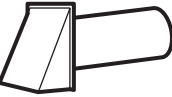


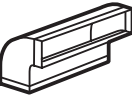
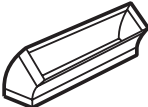


The exhaust adaptor has been designed to mate with a standard 3¼" x 10" (8.2 x 25.4 cm) rectangular duct.

If a round duct is required, a rectangular-to-round transition adaptor must be used. **A 5" (12.7cm) / 6" (15.2cm) diameter duct is acceptable to use.**

Maximum duct length:

For satisfactory air movement, the total duct length of 3¼" x 10" (8.2 x 25.4 cm) rectangular or 5" (12.7 cm) diameter/ 6" (15.2 cm) diameter round duct **should not exceed 140 equivalent feet (42.7 m).**

Elbows, transitions, wall and roof caps, etc., present additional resistance to airflow and are equivalent to a section of straight duct which is longer than their actual physical size. When calculating the total duct length, add the equivalent lengths of all transitions and adaptors plus the length of all straight duct sections. The chart below shows you how to calculate total equivalent ductwork length using the approximate feet of equivalent length of some typical ducts.

DUCT PIECES	EQUIVALENT LENGTH	x	NUMBER USED	=	EQUIVALENT LENGTH
 Rectangular-to-Round Transition Adaptor*	5 Ft. (1.5 m)	x	()	=	Ft. or m
 Wall Cap	40 Ft. (12.2 m)	x	()	=	Ft. or m
 90° Elbow	10 Ft. (3 m)	x	()	=	Ft. or m
 45° Elbow	5 Ft. (1.5 m)	x	()	=	Ft. or m
 90° Elbow	25 Ft. (7.6 m)	x	()	=	Ft. or m
 45° Elbow	5 Ft. (1.5 m)	x	()	=	Ft. or m
 Roof Cap	24 Ft. (7.3 m)	x	()	=	Ft. or m
 Straight Duct 6" (15.2 cm) Round or 3¼" x 10" (8.2 x 25.4 cm Rectangular)	1 Ft. (0.3 m)	x	()	=	Ft. or m
Total Ductwork				=	Ft. or m



*** IMPORTANT:** If a rectangular-to-round transition adaptor is used, the bottom corners of the damper will have to be cut to fit, using the tin snips, in order to allow free movement of the damper.

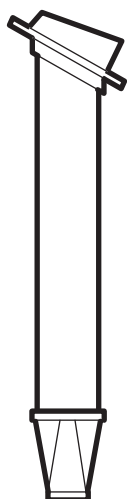
Equivalent lengths of duct pieces are based on actual tests and reflect requirements for good venting performance with any vent hood.




Installation Instructions

EXTERNAL EXHAUST DUCTING

OUTSIDE TOP EXHAUST (EXAMPLE ONLY)

The following chart describes an example of one possible ductwork installation.






DUCT PIECES		EQUIVALENT LENGTH	x	NUMBER USED	=	EQUIVALENT LENGTH	
	Roof Cap	24 Ft. (7.3 m)	x	(1)	=	24 Ft. (7.3 m)	
	12 Ft. (3.6 m) Straight Duct (6"/15.2 cm Round)	12 Ft. (3.6 m)	x	(1)	=	12 Ft. (3.6 m)	
	Rectangular-to-Round Transition Adaptor*	5 Ft. (1.5 m)	x	(1)	=	5 Ft. (1.5 m)	
Equivalent lengths of duct pieces are based on actual tests and reflect requirements for good venting performance with any vent hood.						Total Length =	41 Ft. (12.5 m)

* **IMPORTANT:** If a rectangular-to-round transition adaptor is used, the bottom corners of the damper will have to be cut to fit, using the tin snips, in order to allow free movement of the damper.

OUTSIDE BACK EXHAUST (EXAMPLE ONLY)

The following chart describes an example of one possible ductwork installation.



DUCT PIECES		EQUIVALENT LENGTH*	x	NUMBER USED	=	EQUIVALENT LENGTH	
	Wall Cap	40 Ft. (12.2 m)	x	(1)	=	40 Ft. (12.2 m)	
	3 Ft. Straight Duct (3 1/4" x 10"/8.2 x 25.4 cm Rectangular)	3 Ft. (0.9 m)	x	(1)	=	3 Ft. (0.9 m)	
	90° Elbow	10 Ft. (3 m)	x	(2)	=	20 Ft. (3 m)	
Equivalent lengths of duct pieces are based on actual tests and reflect requirements for good venting performance with any vent hood.						Total Length =	63 Ft. (19.2 m)

NOTE: For back exhaust, care should be taken to align exhaust with space between studs, or wall should be prepared at the time it is constructed by leaving enough space between the wall studs to accommodate exhaust.

Installation Instructions

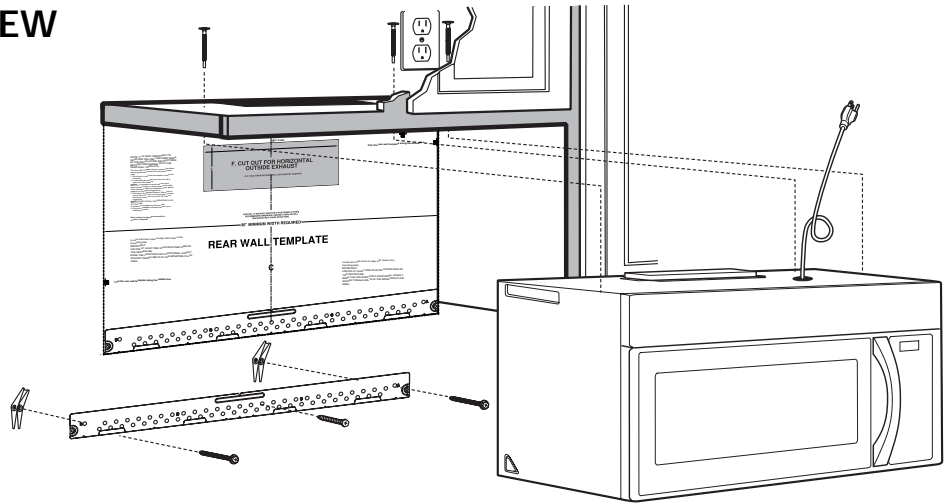
B OUTSIDE BACK EXHAUST (Horizontal Duct)

INSTALLATION OVERVIEW

- B1.** Prepare Rear Wall
- B2.** Remove Blower Plate
- B3.** Attach Mounting Plate to Wall
- B4.** Prepare Top Cabinet
- B5.** Adjust Blower
- B6.** Mount the Microwave Oven

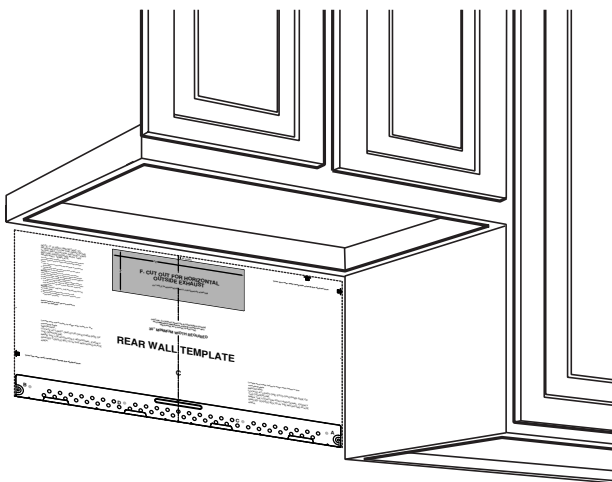
IMPORTANT NOTES:

- Make sure the screws for the blower motor and blower plate are securely tightened when they are reinstalled. This will help to prevent excessive vibration.
- Make sure the motor wiring has been properly routed and secured, and that the wires are not pinched.



B1. PREPARING THE REAR WALL FOR OUTSIDE BACK EXHAUST

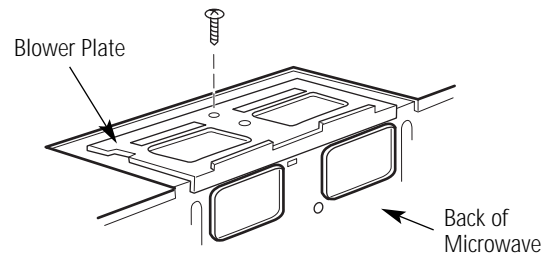
You need to cut an opening in the rear wall for outside exhaust.



- Read the instructions on the REAR WALL TEMPLATE.
- Tape it to the rear wall.
- Cut the opening, following the instructions of the REAR WALL TEMPLATE.

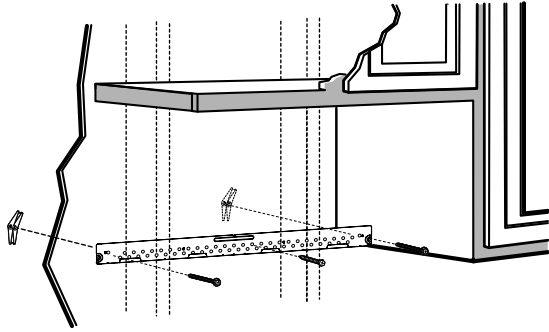
B2. REMOVE BLOWER PLATE

Remove and save the screw that holds the blower plate to the microwave. Lift off the blower plate.



Installation Instructions

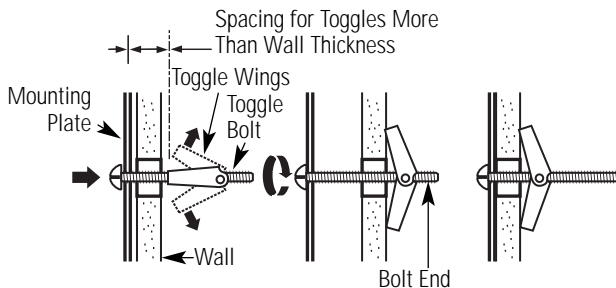
B3. ATTACH THE MOUNTING PLATE TO THE WALL



Attach the plate to the wall using toggle bolts. At least one wood screw must be used to attach the plate to a wall stud.

- 1 Remove the toggle wings from the bolts.
- 2 Insert the bolts into the mounting plate through the holes designated to go into drywall and reattach the toggle wings to $\frac{3}{4}$ " (19 mm) onto each bolt.

To use toggle bolts:



- 3 Place the mounting plate against the wall and insert the toggle wings into the holes in the wall to mount the plate.

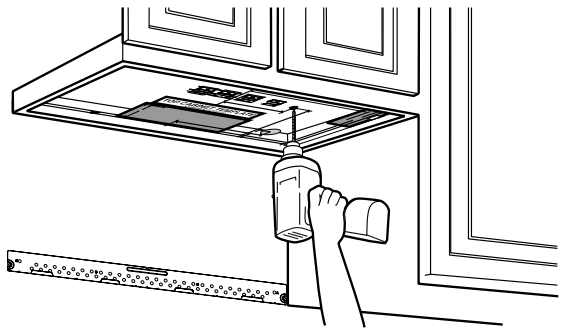
NOTE: Before tightening toggle bolts and wood screw, make sure the bottom of the mounting plate touch the bottom of the cabinet when pushed flush against the wall and that the plate is properly centered under the cabinet.

CAUTION: Be careful to avoid pinching fingers between the back of the mounting plate and the wall.

- 4 Tighten all bolts. Pull the plate away from the wall to help tighten the bolts.

B4. USE TOP CABINET TEMPLATE FOR PREPARATION OF TOP CABINET

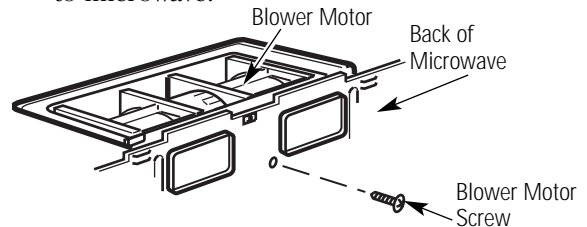
You need to drill holes for the top support screws and a hole large enough for the power cord to fit through.



- Read the instructions on the TOP CABINET TEMPLATE.
 - Tape it underneath the top cabinet.
 - Drill the holes, following the instructions on the TOP CABINET TEMPLATE.
- CAUTION:** Wear safety goggles when drilling holes in the cabinet bottom.

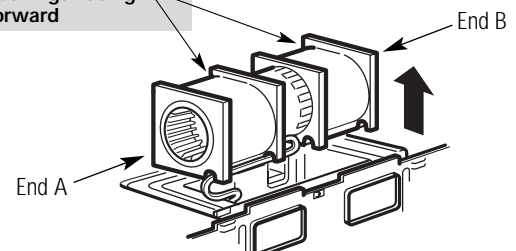
B5. ADAPTING MICROWAVE BLOWER FOR OUTSIDE BACK EXHAUST

- 1 Remove and save screw that holds blower motor to microwave.



- 2 Carefully pull out the blower unit. The wires will extend far enough to allow you to adjust the blower unit.

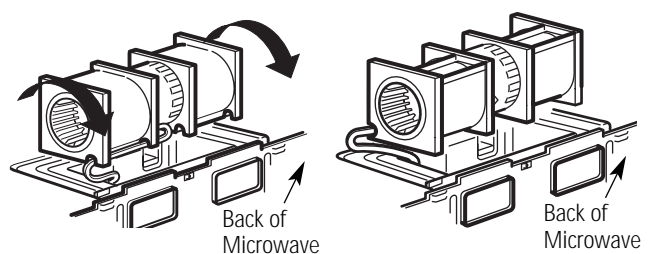
Before: Fan Blade Openings Facing Forward



- 3 Roll the blower unit 90°

Before Rotation

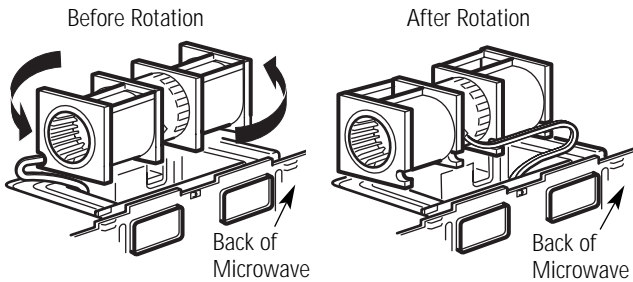
After Rotation



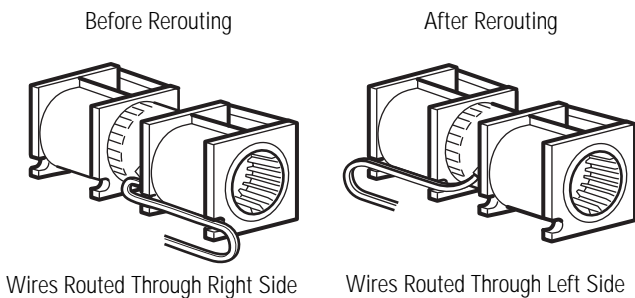
Installation Instructions

B5. ADAPTING MICROWAVE BLOWER FOR OUTSIDE BACK EXHAUST (cont.)

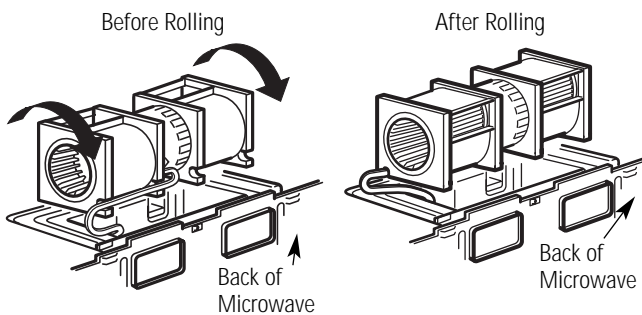
- 4 Rotate blower unit counterclockwise 180°.



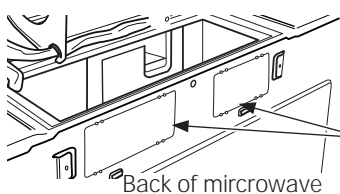
- 5 Gently remove the wires from the grooves. Reroute the wires through grooves on other side of the blower unit.



- 6 Roll the blower unit 90° so that fan blade openings are facing out the back of the microwave.



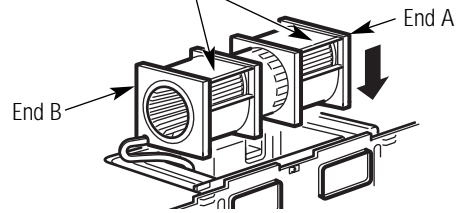
- 7 Remove the knockout plates in the back of the unit with snips. (For some models)



Knockout Plates: Snip all 4 webs on each knockout panel and remove the metal knockouts for rear airflow. Please take care to remove any sharp edges created from removing the knockout plates.

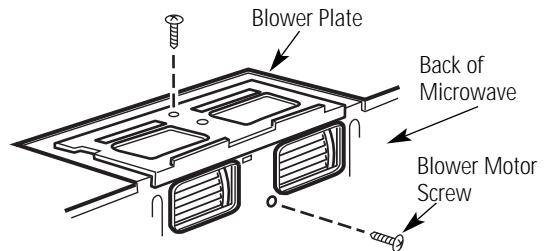
- 8 Place the blower unit back into the opening.

AFTER: Fan Blade Openings Facing Back



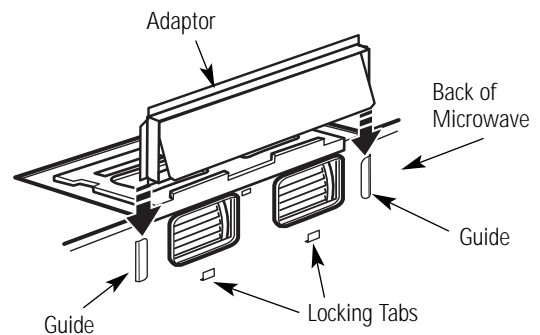
CAUTION: Do not pull or stretch the blower unit wiring. Make sure the wires are not pinched, and that they are properly secured.
NOTE: The blower unit exhaust openings should match exhaust openings on rear of microwave oven.

- 9 Secure the blower unit to the microwave with the original screw.



- 10 Replace the blower plate in the same position as before with the screw. Make sure the screw is tight.

- 11 Attach the exhaust adaptor to the rear of the oven by sliding it into the guides at the top center of the back of the oven.



Push in securely until it is in the lower locking tabs. Take care to assure that the damper hinge is installed so that it is at the top and that the damper swings freely.

Installation Instructions

B6. MOUNT THE MICROWAVE OVEN



FOR EASIER INSTALLATION AND PERSONAL SAFETY, WE RECOMMEND THAT **TWO PEOPLE INSTALL THIS MICROWAVE OVEN.**

IMPORTANT: Do not grip or use the handle or heat shield during installation. Do not remove the cardboard spacers between the heat shield and door.

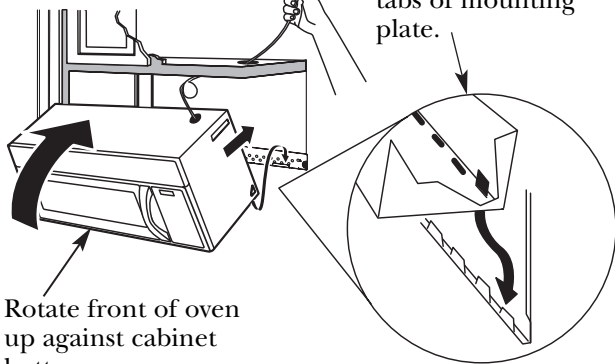
NOTE: If your cabinet is metal, use the nylon grommet around the power cord hole to prevent cutting of the cord.

NOTE: We recommend using filler blocks if the cabinet front hangs below the cabinet bottom shelf.

IMPORTANT: If filler blocks are not used, case damage may occur from overtightening screws.

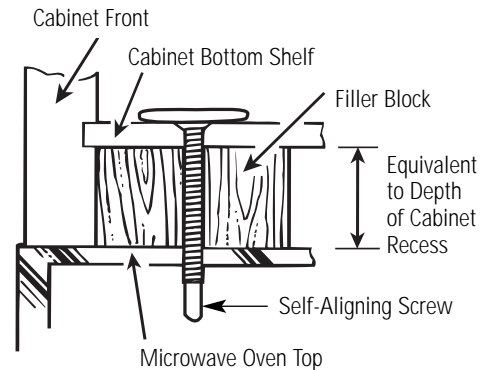
NOTE: When mounting the microwave oven, thread power cord through hole in bottom of top cabinet. Keep it tight throughout Steps 1–3. Do not pinch cord or lift oven by pulling cord.

1 Lift microwave, tilt it forward, and hook slots at back bottom edge onto four lower tabs of mounting plate.



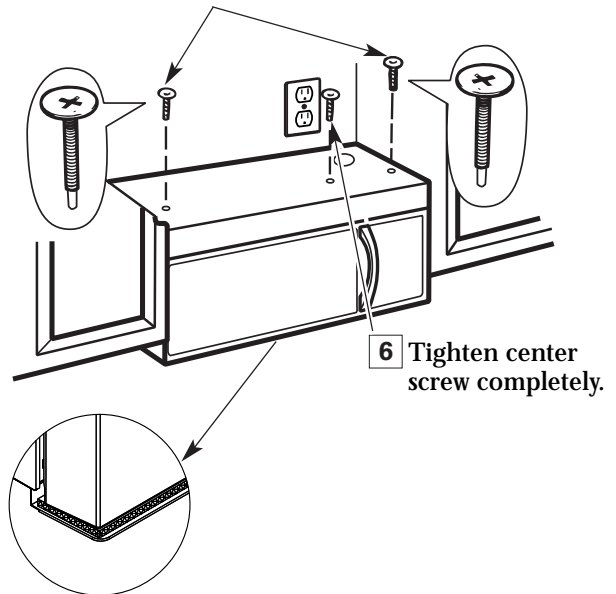
2 Rotate front of oven up against cabinet bottom.

3 Insert a self-aligning screw through top center cabinet hole. Temporarily secure the oven by turning the screw at least **two full turns** after the threads have engaged. (It will be completely tightened later.) **Be sure to keep power cord tight. Be careful not to pinch the cord, especially when mounting flush to bottom of cabinet.**



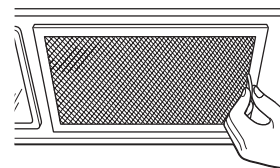
4 Attach the microwave oven to the top cabinet.

5 Insert 2 self-aligning screws through outer top cabinet holes. Turn two full turns on each screw.



6 Tighten center screw completely.

7 Tighten the outer two screws to the top of the microwave oven. (While tightening screws, hold the microwave oven in place against the wall and the top cabinet.)



8 Install grease filters. See the Use & Care packed with the microwave.

IMPORTANT: Remove the cardboard spacers between heat shield and door.

Installation Instructions

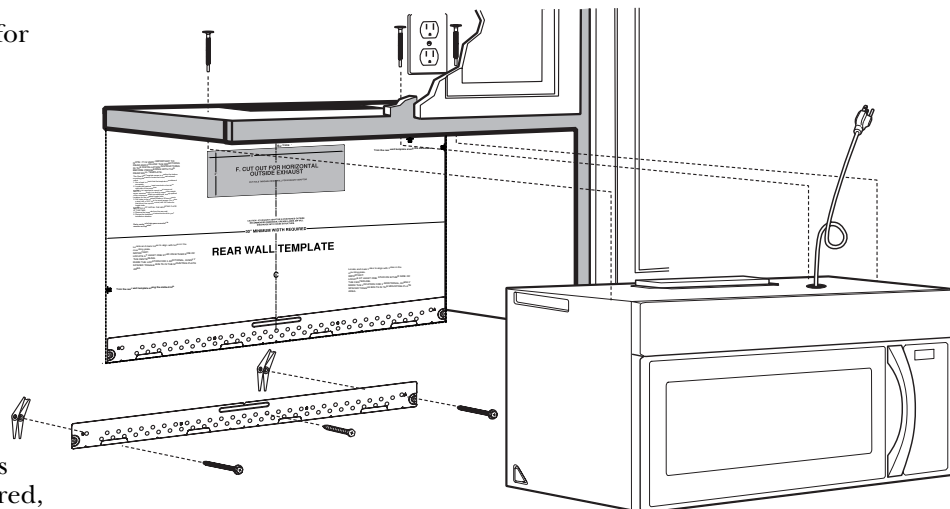
C OUTSIDE TOP EXHAUST (Vertical Duct)

INSTALLATION OVERVIEW

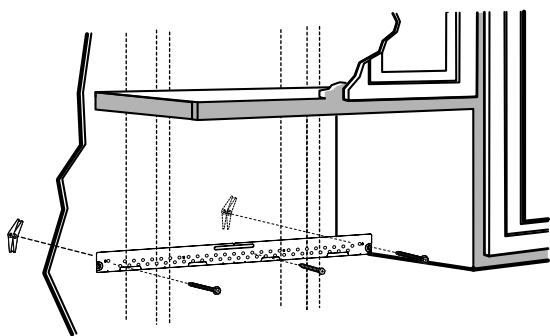
- C1. Attach Mounting Plate to Wall
- C2. Prepare Top Cabinet
- C3. Adapting Microwave Blower for Outside Top Exhaust
- C4. Check Damper Operation
- C5. Mount Microwave Oven
- C6. Adjust Exhaust Adaptor
- C7. Connect Ductwork

IMPORTANT NOTES:

- Make sure the screws for the blower motor and blower plate are securely tightened when they are reinstalled. This will help to prevent excessive vibration.
- Make sure the motor wiring has been properly routed and secured, and that the wires are not pinched.



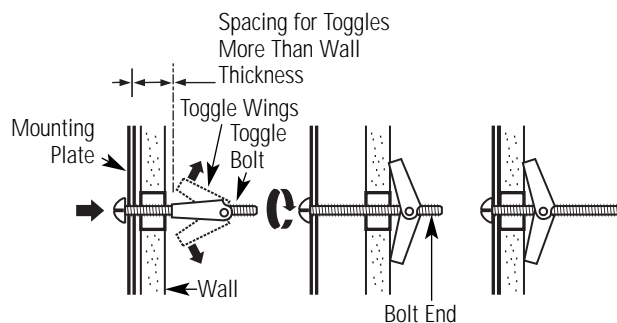
C1. ATTACH THE MOUNTING PLATE TO THE WALL



Attach the plate to the wall using toggle bolts. At least one wood screw must be used to attach the plate to a wall stud.

- 1 Remove the toggle wings from the bolts.
- 2 Insert the bolts into the mounting plate through the holes designated to go into drywall and reattach the toggle wings to $\frac{3}{4}$ " (19 mm) onto each bolt.

To use toggle bolts:



- 3 Place the mounting plate against the wall and insert the toggle wings into the holes in the wall to mount the plate.

NOTE: Before tightening toggle bolts and wood screw, make sure the bottom of the mounting plate touch the bottom of the cabinet when pushed flush against the wall and that the plate is properly centered under the cabinet.

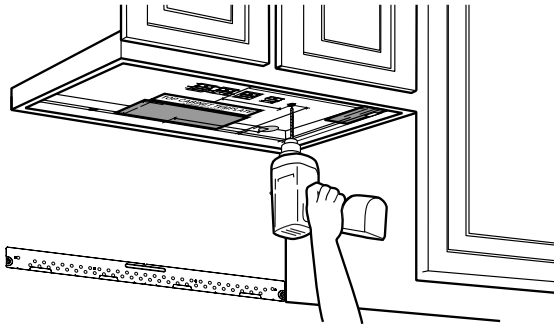
CAUTION: Be careful to avoid pinching fingers between the back of the mounting plate and the wall.

- 4 Tighten all bolts. Pull the plate away from the wall to help tighten the bolts.

Installation Instructions

C2. USE TOP CABINET TEMPLATE FOR PREPARATION OF TOP CABINET

You need to drill holes for the top support screws, a hole large enough for the power cord to fit through, and a cutout large enough for the exhaust adaptor.

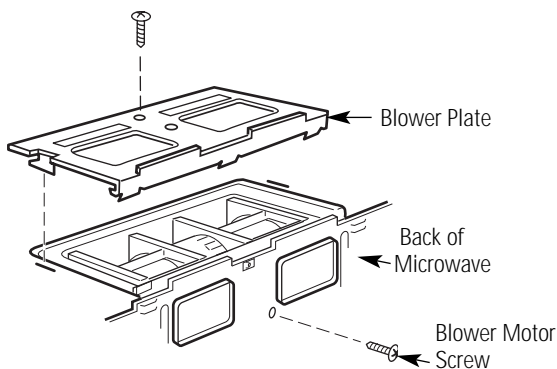


- Read the instructions on the TOP CABINET TEMPLATE.
- Tape it underneath the top cabinet.
- Drill the holes, following the instructions on the TOP CABINET TEMPLATE.

CAUTION: Wear safety goggles when drilling holes in the cabinet bottom.

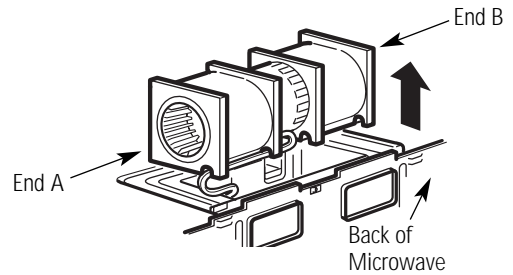
C3. ADAPTING MICROWAVE BLOWER FOR OUTSIDE TOP EXHAUST

- 1 Place the microwave in its upright position, with the top of the unit facing up.

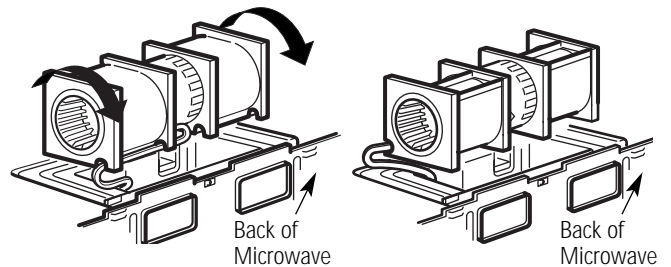


Remove the screw that holds the blower plate to the microwave. Remove and save the screw holding the blower motor to the microwave.

- 2 Carefully pull out the blower unit. The wires will extend far enough to allow you to adjust the blower unit.

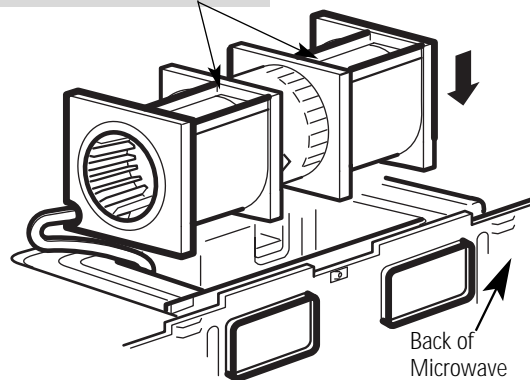


- 3 Roll the blower unit 90° so that fan blade openings are facing out the top of the microwave.



- 4 Place the blower unit back into the opening.

AFTER: Fan Blade Openings Facing Top

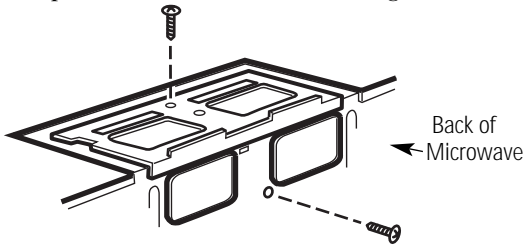


CAUTION: Do not pull or stretch the blower unit wiring. Make sure the wires are not pinched, and that they are properly secured.

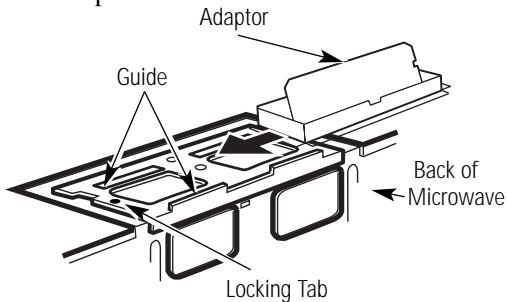
Installation Instructions

C3. ADAPTING MICROWAVE BLOWER FOR OUTSIDE TOP EXHAUST (cont.)

- 5 Secure blower unit to microwave with the screw removed in Step 1. Make sure the screw is tight.
- 6 Replace blower plate with the screw removed in Step 1. Make sure the screw is tight.

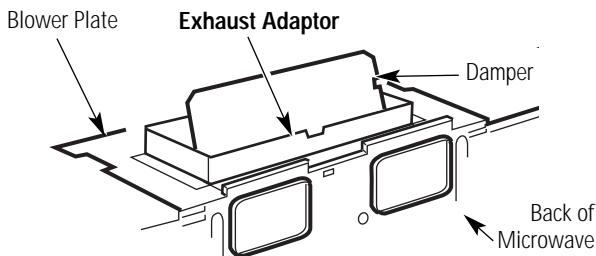


- 7 Attach the exhaust adaptor to the top of the blower plate by sliding it into the guides of the blower plate.



Push in securely until it is in the locking tabs. Take care to assure that the damper hinge is installed so that the damper swings freely.

C4. CHECK FOR PROPER DAMPER OPERATION



- **Make sure tape securing damper is removed and damper pivots easily before mounting microwave.**
- You will need to make adjustments to assure proper alignment with your house exhaust duct after the microwave is installed.

C5. MOUNT THE MICROWAVE OVEN



FOR EASIER INSTALLATION AND PERSONAL SAFETY, WE RECOMMEND THAT **TWO PEOPLE INSTALL THIS MICROWAVE OVEN.**

IMPORTANT: Do not grip or use the handle or heat shield during installation. Do not remove the cardboard spacers between the heat shield and door.

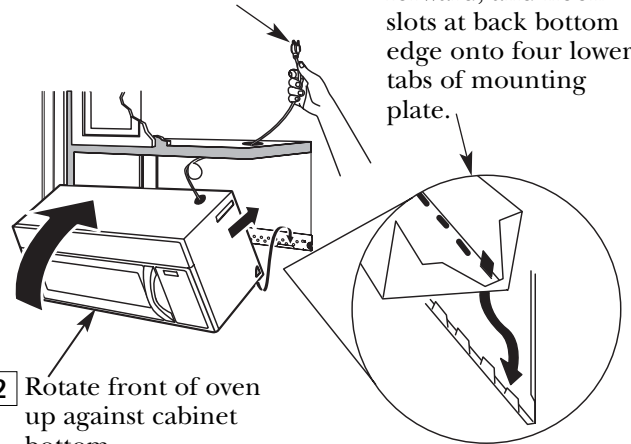
NOTE: If your cabinet is metal, use the nylon grommet around the power cord hole to prevent cutting of the cord.

NOTE: We recommend using filler blocks if the cabinet front hangs below the cabinet bottom shelf.

IMPORTANT: If filler blocks are not used, case damage may occur from overtightening screws.

NOTE: When mounting the microwave oven, thread power cord through hole in bottom of top cabinet. Keep it tight throughout Steps 1-3. Do not pinch cord or lift oven by pulling cord.

- 1 Lift microwave, tilt it forward, and hook slots at back bottom edge onto four lower tabs of mounting plate.

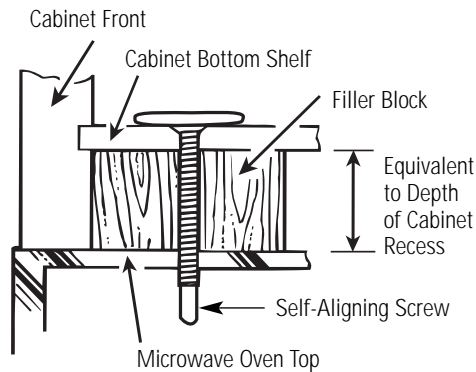


- 2 Rotate front of oven up against cabinet bottom.

- 3 Insert a self-aligning screw through top center cabinet hole. Temporarily secure the oven by turning the screw at least **two full turns** after the threads have engaged. (It will be completely tightened later.) **Be sure to keep power cord tight. Be careful not to pinch the cord, especially when mounting flush to bottom of cabinet.**

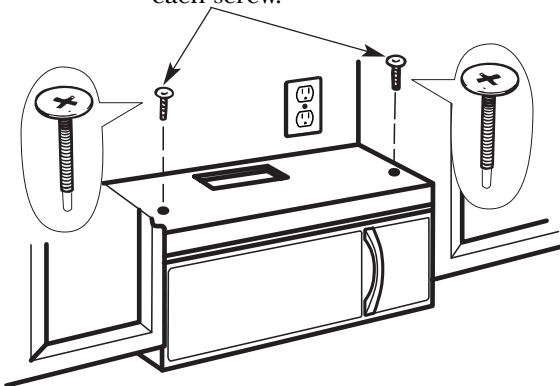
Installation Instructions

C5. MOUNT THE MICROWAVE OVEN (cont.)

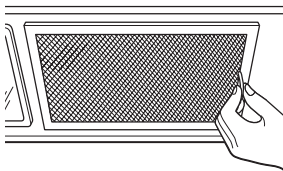


4 Attach the microwave oven to the top cabinet.

5 Insert 2 self-aligning screws through outer top cabinet holes. Turn two full turns on each screw.



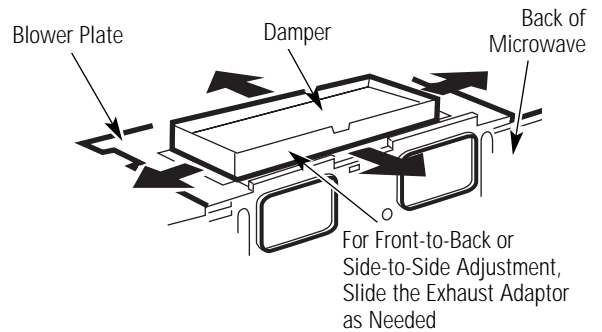
7 Tighten the outer two screws to the top of the microwave oven. (While tightening screws, hold the microwave oven in place against the wall and the top cabinet.)



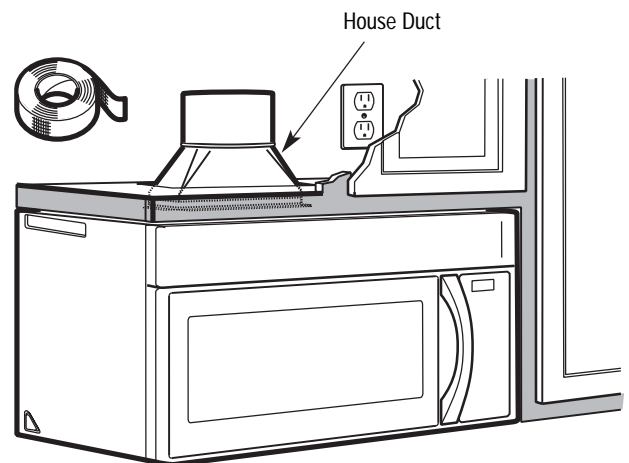
8 Install grease filters. See the Use & Care packed with the microwave.

C6. ADJUST THE EXHAUST ADAPTOR

Open the top cabinet and adjust the exhaust adaptor to connect to the house duct.



C7. CONNECTING DUCTWORK



- 1 Extend the house duct down to connect to the exhaust adaptor.
- 2 Seal exhaust duct joints using furnace duct tape for high temperature applications.

Installation Instructions

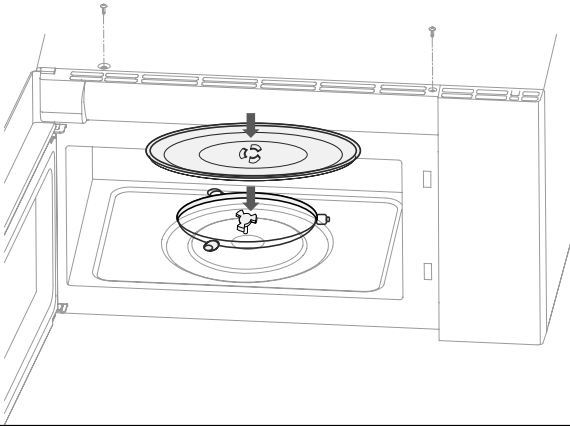
BEFORE YOU USE YOUR MICROWAVE

1. Make sure the microwave oven has been installed according to instructions.

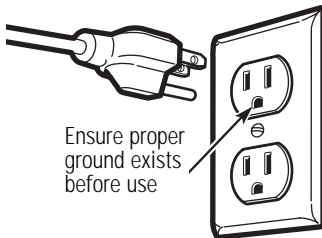


2. Remove all packing material from the microwave oven.

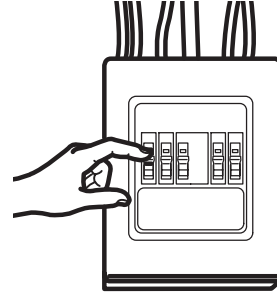
3. Install turntable ring and glass tray in cavity.



4. Plug power cord into a separate and dedicated 15- to 20-amp electrical outlet.



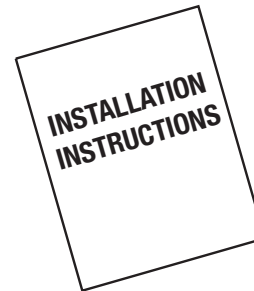
5. Replace house fuse or turn breaker back on.



6. Read the USE & CARE Manual.

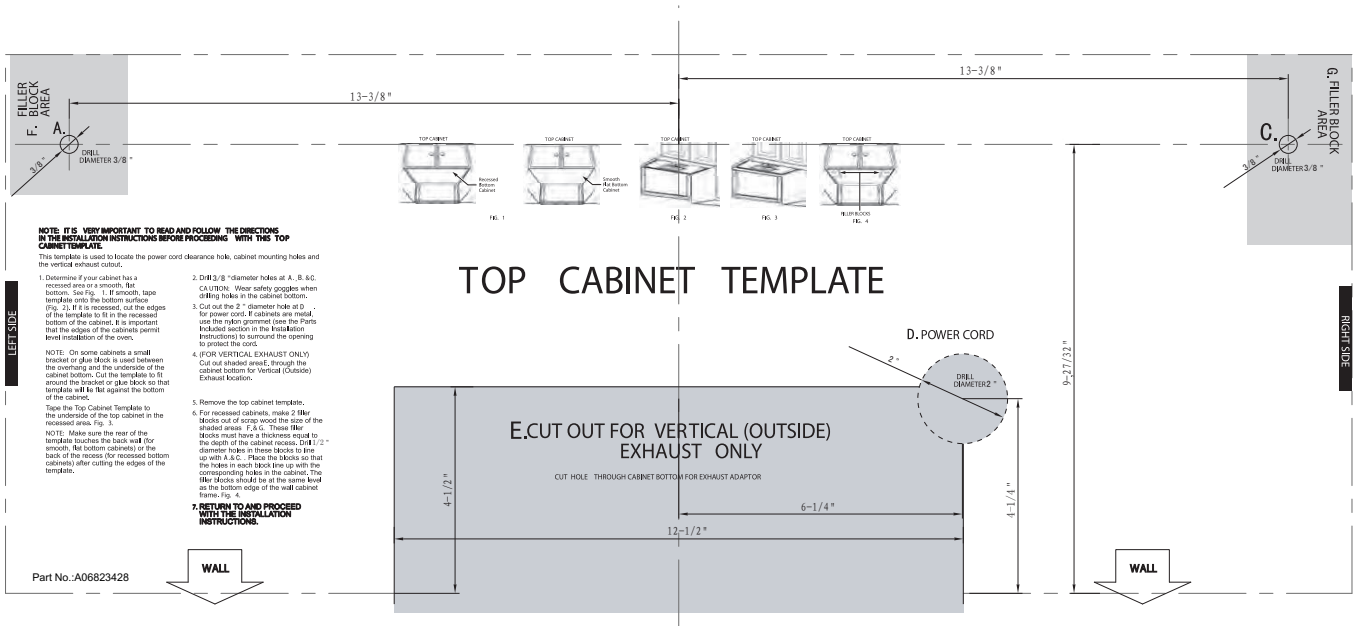
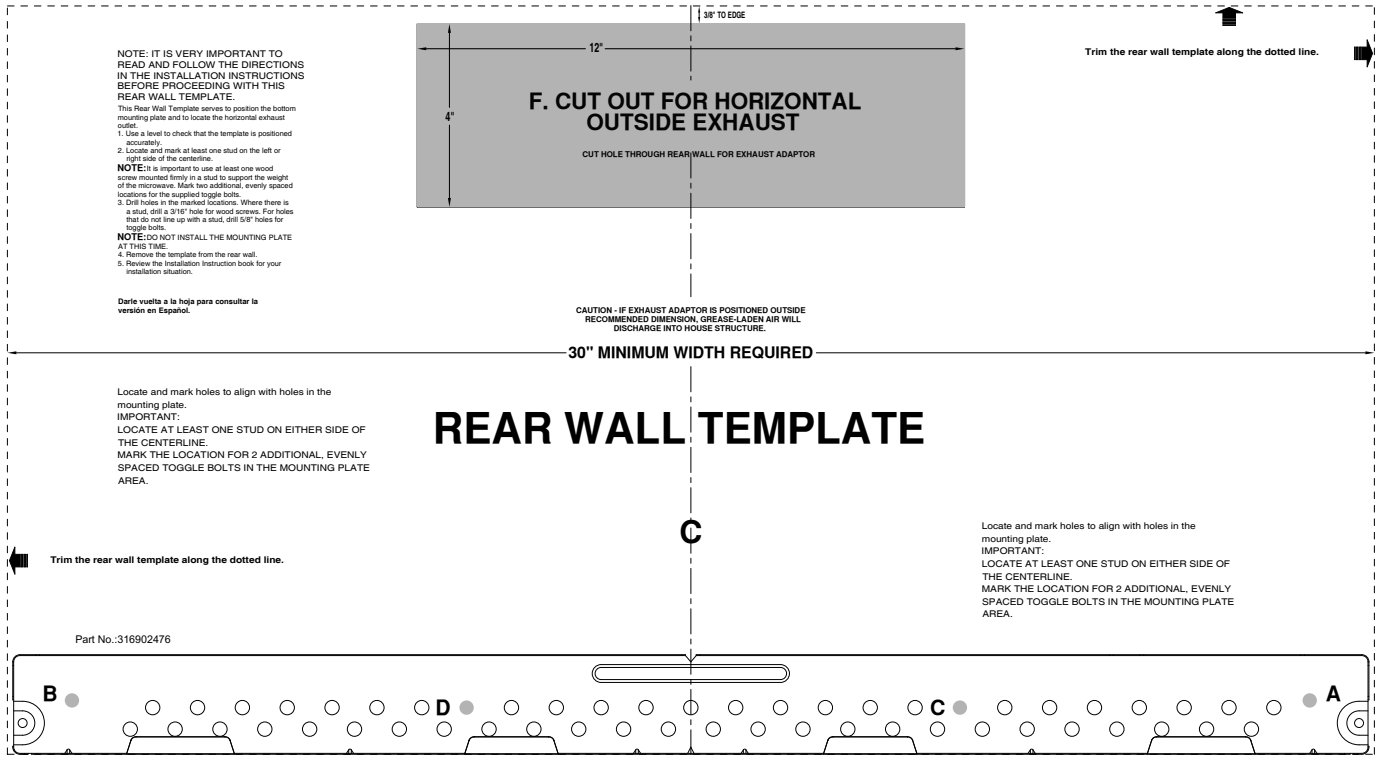


7. KEEP INSTALLATION INSTRUCTIONS FOR THE LOCAL INSPECTOR'S USE.



8. FILL OUT PRODUCT REGISTRATION CARD AND SEND IN.





Instrucciones de instalación

Horno microondas (encima de la estufa)

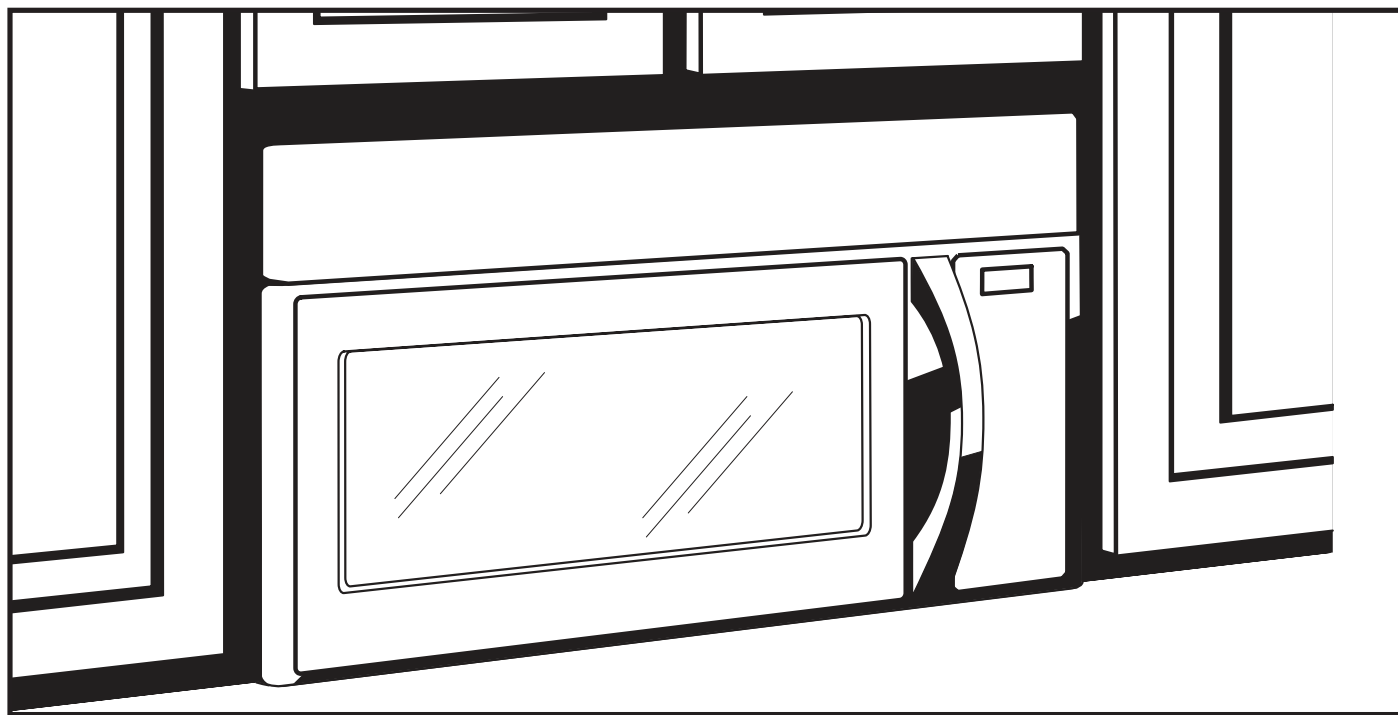
¿Preguntas? Llame al 1-800-944-9044(US) o 1-800-265-8352(Canada)

ANTES DE EMPEZAR

Lea estas instrucciones completamente y con atención.

- **IMPORTANTE:** conserve estas instrucciones para uso futuro del inspector local.
- **IMPORTANTE:** asegúrese de que se cumplan todas las normas y los códigos relevantes.
- **Nota para el instalador:** asegúrese de dejar estas instrucciones en manos del consumidor.

- **Nota para el consumidor:** conserve estas instrucciones para referencia futura.
- **Nivel de preparación técnica:** la instalación de este electrodoméstico requiere conocimientos mecánicos y eléctricos básicos.
- La instalación correcta es responsabilidad del instalador.
- Las fallas del producto que resulten de una instalación incorrecta no están cubiertas bajo la garantía.



**LEA CUIDADOSAMENTE.
CONSERVE ESTAS INSTRUCCIONES.**

p/n A06823436
Puede 2022

Instrucciones de instalación

CONTENIDO

Información general

Instrucciones importantes sobre seguridad	3
Requisitos eléctricos	3
Daños-envío (transporte)/instalación	4
Piezas incluidas	4
Herramientas necesarias	5

Guía de la instalación paso a paso

Colocación de la placa de instalación	6-8
Desinstalación la placa de instalación	6
Localización de las vigas de la pared	6
Ubicación de la placa para la pared	7
Alineación de la placa para la pared	8

Tipos de instalación

A Recirculación	10-13
Montaje de la placa de instalación en la pared	10
Preparación del gabinete superior	11
Verificación del conjunto del placa del ventilador pared	11
Instalación del horno microondas	11-12
Instalación o cambiar del filtro de carbón ..	12-13
Campana extractora	14-15

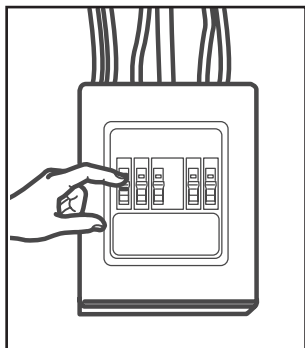
B Extracción trasera externa	16-19
Preparación de la pared trasera para la salida de extracción trasera externa	16
Desinstalación del placa del ventilador	16
Montaje de la placa de instalación en la pared	17
Preparación del gabinete superior	17
Ajuste del ventilador del microondas para la extracción superior externa	17-18
Instalación del horno microondas	19

C Extracción superior externa	20-23
Montaje de instalación la placa de en la pared	20
Preparación del gabinete superior	21
Ajuste del ventilador del microondas para la extracción superior externa	21-22
Verificación del funcionamiento correcto del regulador de extracción	22
Instalación del horno microondas	22-23
Ajuste del adaptador de extracción	23
Acoplamiento del sistema de conductos	23
Antes de usar el horno microondas	24
La información de plantilla	25

Instrucciones de instalación

INSTRUCCIONES IMPORTANTES SOBRE SEGURIDAD

Este product requiere un tomacorriente de tres clavijas con puesta a tierra. Antes de proceder con la instalación del electrodoméstico, el instalador debe realizar una verificación de la continuidad de la puesta a tierra del tomacorriente, a fin de asegurarse de que es correcta. Si la puesta a tierra no es correcta o si el tomacorriente no cumple con los requisitos eléctricos descritos en este manual (en la sección REQUISITOS ELÉCTRICOS), se deberá solicitar a un electricista calificado que corrija cualquier defecto detectado.



PRECAUCIÓN: por razones de seguridad personal, antes de comenzar con el procedimiento de instalación, retire el fusible correspondiente o desconecte el disyuntor doméstico, a fin de evitar cualquier lesión personal causada por un choque eléctrico.

PRECAUCIÓN: por razones de seguridad personal, la superficie de instalación debe ser capaz de soportar la carga del gabinete, además del peso adicional del product (63 a 85 libras o 28,5 a 38,5kg), así como cargas adicionales de hasta 50 libras (22,7kg), o bien un peso total de 113 a 135 libras (51,3 a 61,2kg).

PRECAUCIÓN: por razones de seguridad personal, este product no puede ser instalado en espacios de gabinete tipo insular o peninsular. Debe ser atornillado (instalado) **TANTO** al gabinete superior, **COMO** a la pared.

NOTA: por razones de seguridad personal y para facilitar la instalación, se recomienda que dos personas instalen el product.

IMPORTANTE: ¡LEA CUIDADOSAMENTE! POR RAZONES DE SEGURIDAD PERSONAL, EL ELECTRODOMÉSTICO DEBE QUEDAR DEBIDAMENTE PUESTO A TIERRA, PARA EVITAR CUALQUIER CHOQUE ELÉCTRICO QUE PUEDA CAUSAR LA MUERTE.



Antes de usar el electrodoméstico, verifique la puesta a tierra del tomacorriente.

El cable de alimentación de este product está de este product está equipado con un enchufe (con puesta a tierra) de 3 clavijas, compatible con un tomacorriente de pared (con puesta a tierra) de 3 clavijas, lo cual minimize la posibilidad de choque eléctrico causado por el product.

Se debe solicitar a un electricista calificado que inspeccione el tomacorriente de pared y el circuito eléctrico correspondiente, a fin de asegurarse de que el tomacorriente esté debidamente puesto a tierra.

En caso de que el tomacorriente estándar disponible sea solamente para un enchufe de dos clavijas, es muy importante solicitar a un electricista calificado que lo reemplace con un tomacorriente de tres clavijas puesto a tierra.

BAJO NINGUNA CIRCUNSTANCIA CORTE, ALTERE O ELIMINE LA TERCERA CLAVIJA (TIERRA) DEL CABLE ELÉCTRICO. NO USE UN CABLE ELÉCTRICO DE EXTENSIÓN.

REQUISITOS ELÉCTRICOS

La potencia nominal del product es de 120 voltios de CA, 60 Hertz, 15 amperios y 1,6 kilovatios. Debe ser conectado a un circuito separado y dedicado de alimentación eléctrica que tenga el voltaje y la frecuencia adecuados.

El diámetro del alambre debe cumplir con los requisitos correspondientes del código eléctrico nacional (National Electrical Code O NEC) de los EE.UU., o bien con las normas vigentes locales correspondientes a la potencia nominal en kilovatios del aparato. El cable y el enchufe de alimentación eléctrica deben ser conectados a un tomacorriente (con puesta a tierra) de un circuito separado y dedicado de 15 a 20 amperios. El tomacorriente debe estar situado en el espacio superior del gabinete en el cual se instalará el microondas. El tomacorriente y el circuito de alimentación eléctrica deben ser instalados por un electricista calificado y deben cumplir con el código NEC de los EE.UU. o con las normas vigentes locales correspondientes.


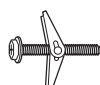


Instrucciones de instalación

DAÑOS-ENVÍO (TRANSPORTE)/INSTALACIÓN

- Si el producto ha resultado dañado durante su envío (transporte), devuélvalo a la tienda/el almacén donde lo adquirió, para que lo reparen o lo cambien por uno nuevo.
- Si el producto ha sido dañado por el comprador, la reparación o el reemplazo del producto es responsabilidad del comprador.
- Si el instalador (no el comprador) daña el producto, la reparación o el reemplazo del mismo tendrá que ser acordado entre el comprador y el instalador.

PIEZAS INCLUIDAS

KIT DE FERRETERÍA




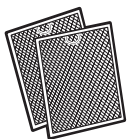
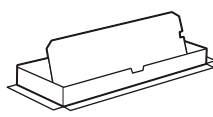

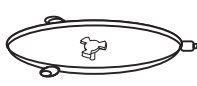


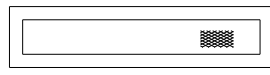
PIEZA		CANTIDAD
	Tornillos para madera (1/4" x 2")	2
	Tomillos de fiador (y tuercas de mariposa) (3/16" x 3")	2
	Tornillos autoalineantes para máquina (1/4"-28 x 3 1/4")	3
	Moldura aislante de nylon (para los gabinetes metálicos)	1

Las piezas de ferretería vienen dentro de un paquete (kit) incluido con el electrodoméstico. Verifique que el paquete contiene todas las piezas listadas aquí.

NOTA: se incluyen algunas piezas adicionales.

PIEZAS INCLUIDAS (CONT.)

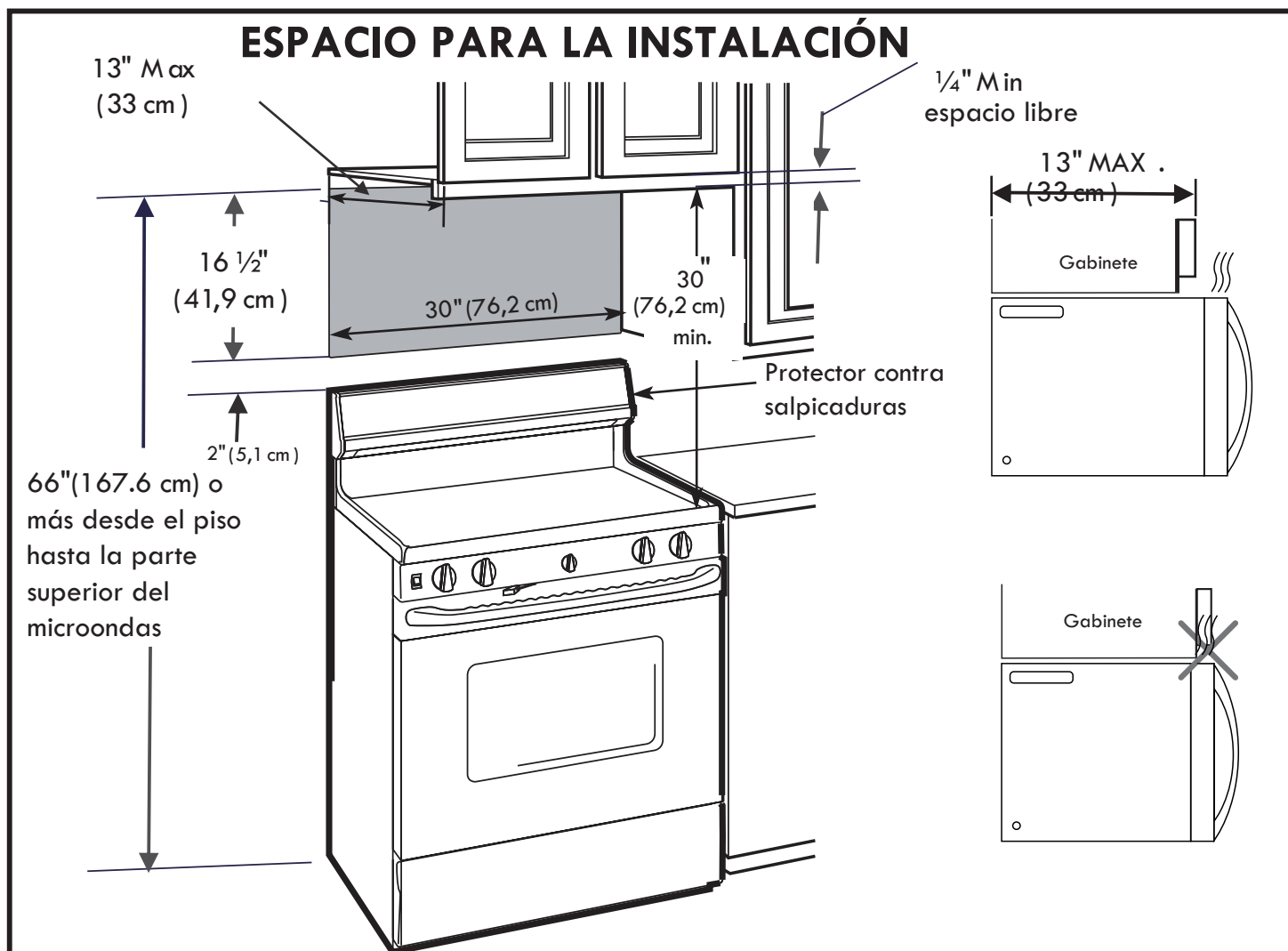
KIT DE FERRETERÍA

PIEZA		CANTIDAD
	Plantilla para el gabinete superior	1
	Plantilla para la pared trasera combinado	1
	Instrucciones de instalación	1
	Guía de Uso y Cuidado	1
	Filtros de grasa (empacados por separado)	2
	Adaptador	1
	Bandeja de vidrio	1
	Anillo de la bandeja giratoria	1
Param algunos modelos 	Estante de alambre de convección	1
Param algunos modelos 	Estante	1
	Filtro de carbón	1

Instrucciones de instalación

HERRAMIENTAS NECESARIAS

- Mètre
- scie trépan
- Trouveur de goujons ou marteau
- Niveau
- Ruban adhésif et de masquage
- Ciseaux
- n #1 tournevis cruciforme
- Perceuse électrique
- Foret 3/16", 1/2", 5/8"
- Blocs de bois de remplissage pour armoires à fond encastré
- Cisailles



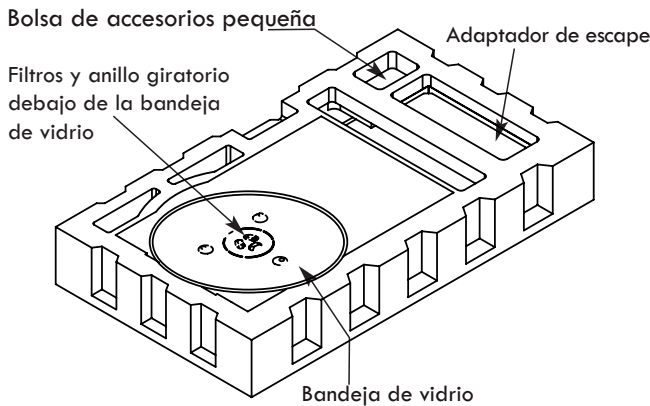
- El espacio entre los gabinetes debe ser de 30" (76,2 cm) de ancho y libre de obstrucciones.
- Si la extracción de aire para el horno microondas será dirigida hacia fuera de la cocina, consulte la sección sobre campana extractora, para informarse sobre la preparación del conducto de extracción.
- Si va a instalar el horno microondas debajo de un gabinete plano y liso, tenga cuidado de seguir las instrucciones sobre la plantilla para el gabinete superior, especialmente la parte relacionada con el espacio libre para el cable eléctrico.
- Como el guía de la instalación, se vea el página 26 por la información de plantilla montada.
- Si la profundidad del gabinete incluyendo las puertas es mayor de 13" entonces la unidad debe alejarse de la pared con materiales adecuados que soporten 150 lbs para permitir una ventilación adecuada/toma de aire.

Instrucciones de instalación

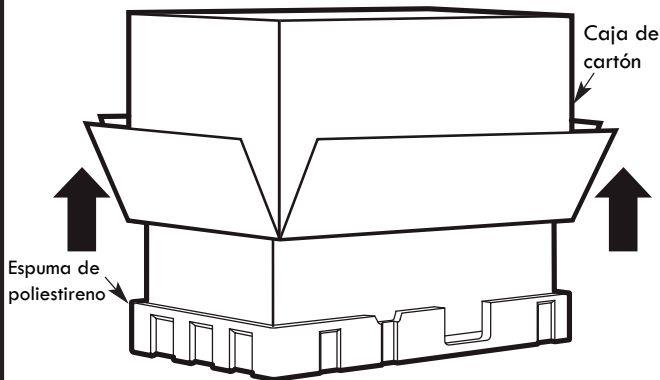
1 COLOCACIÓN DE LA PLACA DE INSTALACIÓN

A. PROCEDIMIENTO PARA SACAR DE LA CAJA EL MICROONDAS Y LA PLACA DE INSTALACIÓN

- 1 Retirar las instrucciones de instalación, uso y cuidado, adaptador de escape, anillo giratorio, estante, filtros, bandeja de vidrio y bolsa de accesorios pequeña. No retire el poliestireno de la parte delantera del horno.

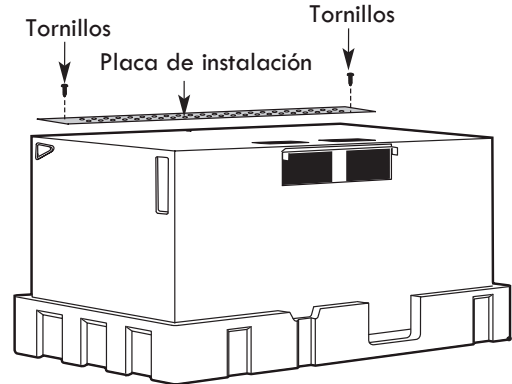


- 2 Doble hacia atrás las 4 lengüetas de la caja de cartón, para que queden contra los lados de la caja. A continuación, dé la vuelta con cuidado al horno y la caja, para que la caja quede en la parte superior. El horno quedará colocado sobre el protector de espuma.



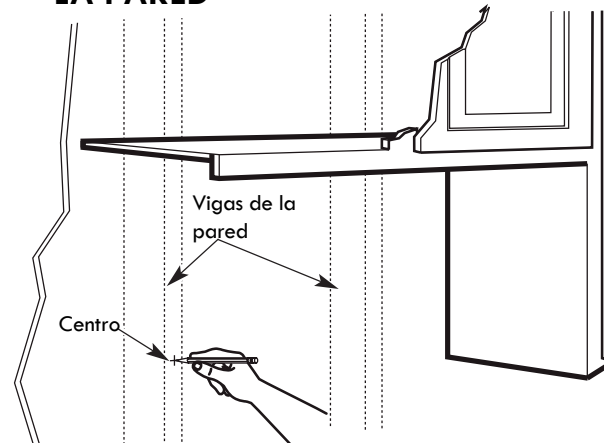
- 3 Tire de la caja de cartón hacia arriba, para separarla del horno.

- 4 Come la bolsa de plástico en el medio para retirar la placa de instalación.



- 5 Quite los tornillos de la placa de instalación. Dicha placa se utilizará como plantilla para la pared trasera y para la instalación. Vuelva a insertar los tornillos en los agujeros de los cuales habían sido extraídos.

B. LOCALIZACIÓN DE LAS VIGAS DE LA PARED

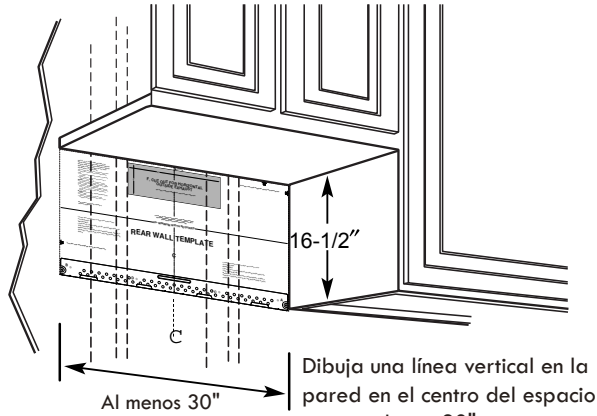


- 1 Localice las vigas mediante cualquiera de los métodos siguientes:
 - A. Detector de vigas. aparato magnético que detecta clavos.
 - B. Use un martillo para dar golpecitos leves sobre la superficie de instalación, a fin de detectar el sonido de superficie maciza (no hueca). Esto indicará la ubicación de una viga.
- 2 Tras localizar la(s) viga(s), localice su centro haciendo pruebas en la pared con un pequeño clavo que le permita detectar los bordes de la viga. A continuación, haga una marca que quede a la mitad de ambos bordes.
- 3 El centro de cualquier viga adyacente debe quedar a 16" (40,6 cm) o 24" (61 cm) de dicha marca. Trace una línea hacia abajo del centro de las vigas.
EL MICROONDAS DEBE QUEDAR ATORNILLADO AL MENOS A UNA VIGA DE LA PARED

Instrucciones de instalación

C. UBICACIÓN DE LA PLACA PARA LA PARED DE BAJO DEL GABINETE

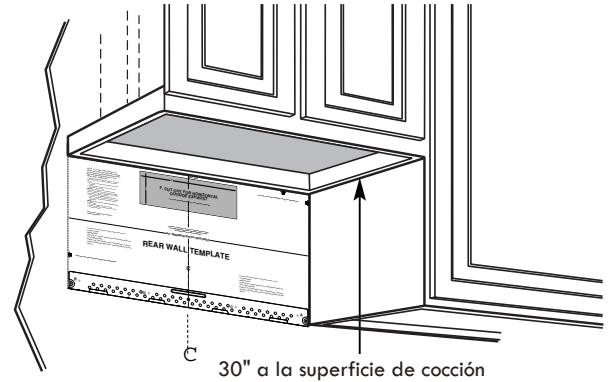
Posición de la placa-debajo de la superficie plana inferior del gabinete



Dibuja una línea vertical en la pared en el centro del espacio cuyo ancho es 30".

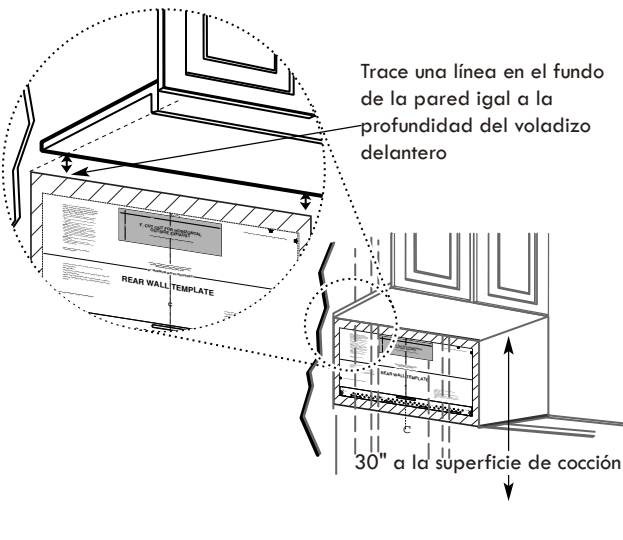
Cinta la Plantilla de pared posterior en la pared correspondiente a la línea y toca el fondo del armario.

Posición de la placa-debajo de la superficie hueca inferior (con marco) del gabinete



Dibuja una línea vertical en la pared en el centro del espacio cuyo ancho es 30".
Cinta la Plantilla de pared posterior en la pared correspondiente a la línea y toca el fondo del armario.

Posición de la placa-debajo de la superficie hueca saliente, delantera e inferior (con marco) del gabinete



Trace una línea en el fondo de la pared igual a la profundidad del voladizo delantero

Es posible que sus gabinetes tengan molduras decorativas que interfieran con la instalación del microondas. En este caso, quite dichas molduras para poder instalar correctamente el microondas y que quede nivelado.

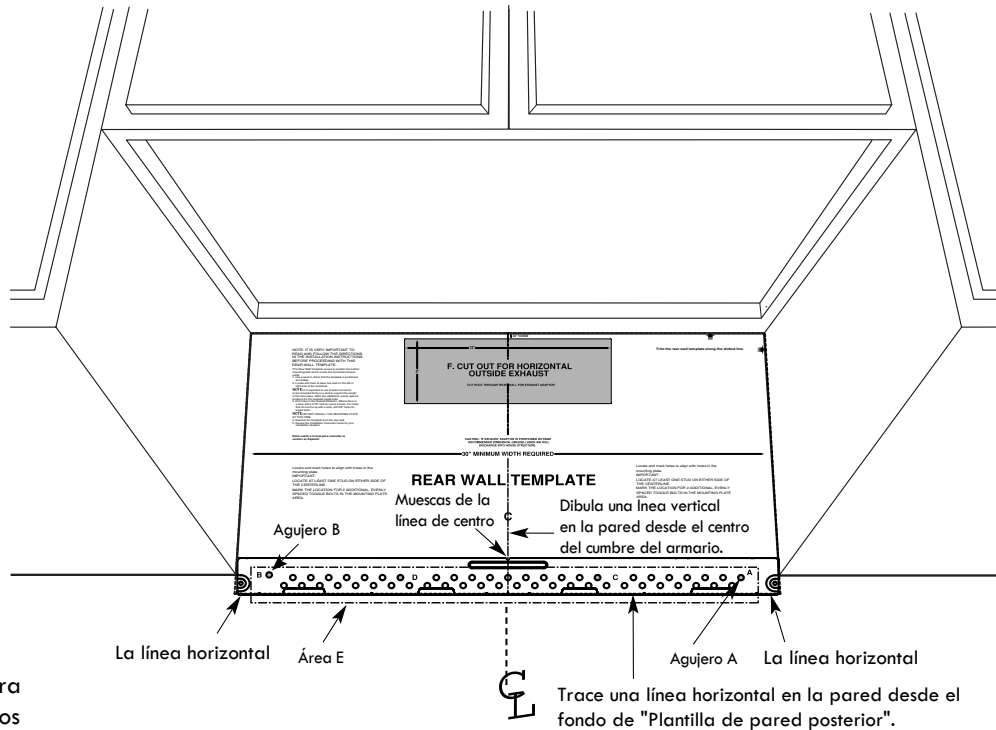
EL MICROONDAS DEBE QUEDAR NIVELADO.

Use un nivel para asegurarse de que la superficie inferior del gabinete esté nivelada. Si el gabinete tiene solamente una parte delantera saliente, sin parte trasera o lateral del marco, instale la placa de instalación a la misma distancia que la distancia de profundidad de la parte saliente delantera. Esto mantendrá el microondas nivelado.

- 1 Mida la distancia de profundidad interior de la parte saliente delantera.
- 2 Trace una línea horizontal en la pared trasera, debajo de la superficie inferior del gabinete, a una distancia igual que la distancia de profundidad interior de la parte saliente delantera.
- 3 Solamente en el caso de este tipo de instalación con parte saliente delantera, alinee las lengüetas de instalación con dicha línea horizontal, sin tocar la superficie inferior del gabinete, como se describe en el paso D.

Instrucciones de instalación

D. ALINEACIÓN DE LA PLACA PARA LA PARED



PRECAUCIÓN: para evitar cortes por los bordes afilados.

- 1 Trace una línea vertical en la pared, en el centro del espacio cuyo ancho es 30".
- 2 Trace una línea horizontal en la pared desde el fondo de "Plantilla de pared posterior."
- 3 Encuentre un travesaño en el área E de la placa de montaje. Consulte la sección 1B: Encontrar travesaños de pared.
- 4 Para adherir la placa de montaje al travesaño taladre un agujero de 3/16". Taladre un agujero de 5/8" para tornillo acodado en otra ubicación (Agujero A o Agujero B).

NOTA: NO INSTALE LA PLACA EN ESTE MOMENTO.

NOTA: Los Agujero A y los Agujero B se encuentran dentro de la región E. Si tanto el agujero C como el D no quedan en una viga, localice una viga en el área E y trace un quinto círculo que quede alineado con la viga. Es importante **que al menos un tornillo para madera** quede fijado **firmemente a una viga**, a fin de que pueda soportar el peso del microondas. **Deje a un lado la placa de instalación.**

Instrucciones de instalación

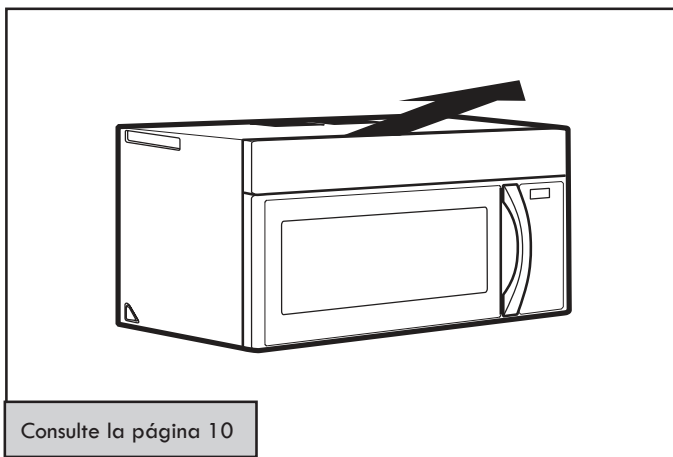
2 TIPOS DE INSTALACIÓN (A Elección Entre A, B o C)

Este horno microondas está diseñado para adaptarse a los tres tipos siguientes de ventilación:

- A. Extracción superior externa (conducto vertical)
- B. Extracción trasera externa (conducto horizontal)
- C. Recirculación (sin conducto de extracción)

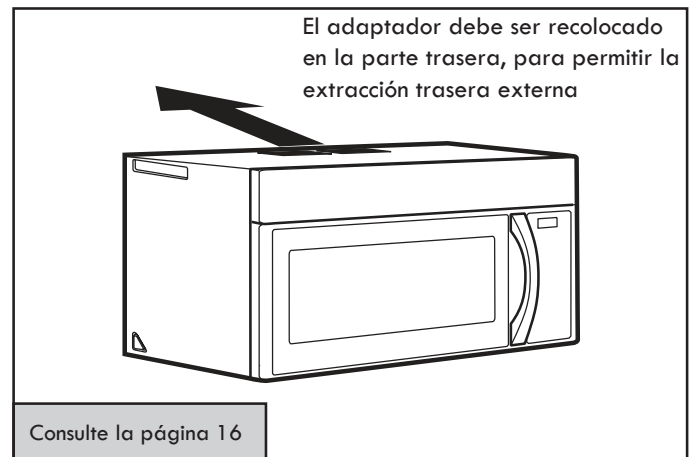
NOTA: este horno microondas se ha fabricado para un sistema de Recirculación. Seleccione el tipo de ventilación necesario para su instalación y proceda con las instrucciones de la sección correspondiente.

A RECIRCULACIÓN (SIN CONDUCTO DE EXTRACCIÓN)

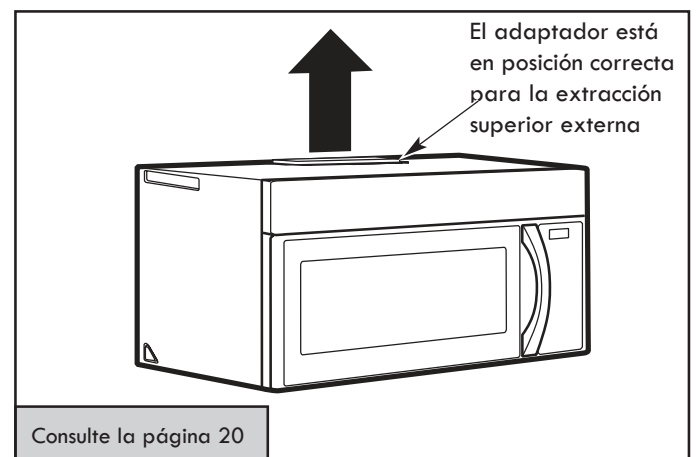


Los modelos fabricados para un sistema de extracción basado en la recirculación del aire vienen con la instalación de fábrica de un filtro de carbón, el cual ayuda a eliminar el humo/los vapores y los olores.

B EXTRACCIÓN TRASERA EXTERNA (CONDUCTO HORIZONTAL)



C EXTRACCIÓN SUPERIOR EXTERNA (CONDUCTO VERTICAL)



NOTA: lea las páginas 14-15 solamente si va a instalar un sistema de extracción hacia el exterior. Si tiene planeado realizar una instalación basada en la recirculación del aire dentro de la cocina, continúe con la página 10.

Instrucciones de instalación

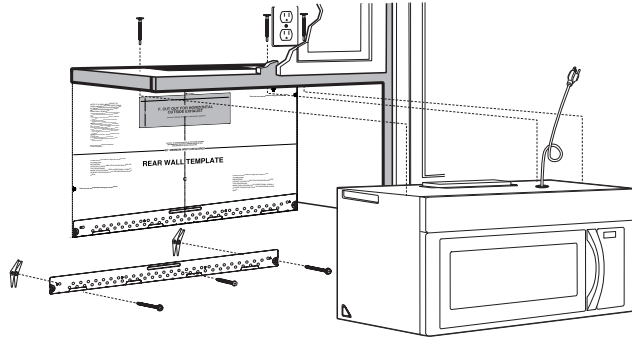
A RECIRCULACIÓN (Sin Conducto De Extracción)

DESCRIPCIÓN GENERAL DE LA INSTALACIÓN

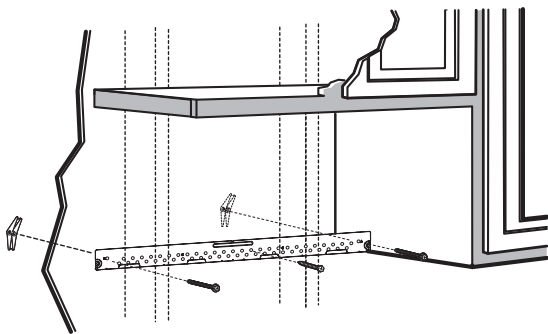
- C1. Montaje de la placa de instalación en la pared
- C2. Preparación del gabinete superior
- C3. Verificación del conjunto del Placa del Ventilador
- C4. Instalación del horno microondas
- C5. Instalación o cambiar del filtro de carbón

NOTAS IMPORTANTES:

- Asegúrese de que los tornillos del motor del ventilador y la placa del ventilador queden firmemente apretados al volver a instalarlos. Esto ayudará a prevenir el exceso de vibraciones.
- Asegúrese de que el cableado del motor quede debidamente orientado y asegurado, y que los cables no queden atrapados.



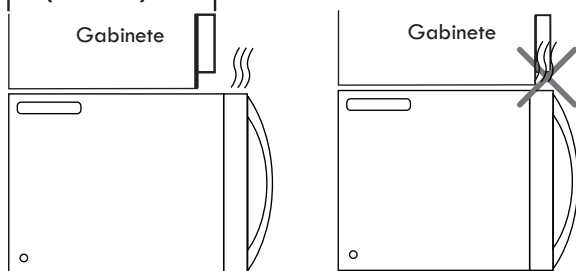
A1. MONTAJE DE LA PLACA DE INSTALACIÓN EN LA PARED



Fije la placa en la pared con los tornillos de fiador. Al menos un tornillo para madera debe ser utilizado para fijar la placa a una viga de la pared.

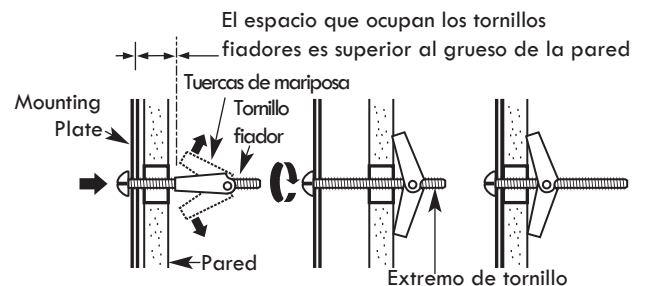
NOTA: Si la profundidad del gabinete incluyendo las puertas es mayor de 13" entonces la unidad debe alejarse de la pared con materiales adecuados que soporten 150 lbs para permitir una ventilación adecuada/toma de aire.

13" MAX.
(33 cm)



- 1 Quite las tuercas de mariposa de los tornillos.
- 2 Inserte los tornillos en la placa de instalación, a través de los agujeros taladrados en las partes de la pared que no son viga (los paneles) y vuelva a insertar las tuercas de mariposa hasta 3/4" (19 mm) de cada tornillo.

Para utilizar tornillos de fiador:



- 3 Coloque la placa de instalación contra la pared e inserte las tuercas de mariposa en los agujeros de la pared, a fin de instalar la placa.

NOTA: Antes de apretar los tornillos de fiador y el tornillo para madera, asegúrese de que las lengüetas de la placa de instalación toquen la parte inferior del gabinete cuando sean empujadas a ras contra la pared, y que la placa quede debidamente centrada bajo el gabinete.

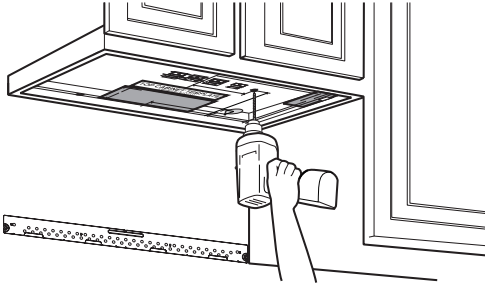
PRECAUCIÓN: Tenga cuidado de evitar que sus dedos queden atrapados entre la parte trasera de la placa de instalación y la pared.

- 4 Apriete todos los tornillos. Tire de la placa alejándola de la pared, a fin de que resulte más fácil apretar los tornillos.

Instrucciones de instalación

A2. USO DE LA PLANTILLA PARA EL GABINETE SUPERIOR A FIN DE PREPARAR EL ÁREA DE DICHO GABINETE

Es necesario taladrar agujeros para los tornillos de soporte superior, así como un agujero lo suficientemente grande para que el cable eléctrico pueda pasar a través.



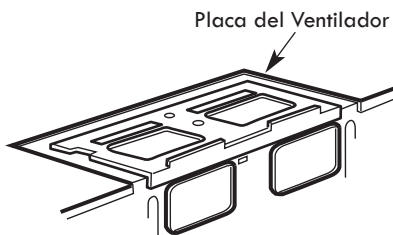
- Lea las instrucciones de la sección PLANTILLA PARA EL GABINETE SUPERIOR.
- Adhiera con cinta la plantilla al gabinete superior.

NOTA: Ajuste la placa superior de acuerdo a si el microondas está siendo separado de la pared debido a la profundidad del gabinete (más de 13").

- Taladre los agujeros, siguiendo las instrucciones de la sección PLANTILLA PARA EL GABINETE SUPERIOR.

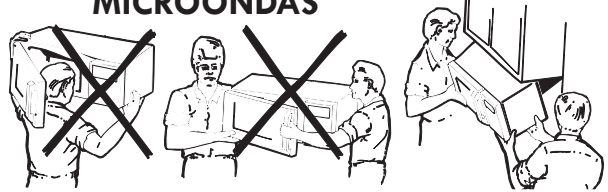
PRECAUCIÓN: cuando taladre los agujeros en la superficie inferior del gabinete, use gafas protectoras.

A3. VERIFICACIÓN DEL CONJUNTO DEL PLACA DEL VENTILADOR



- Coloque el microondas en posición vertical, con la parte superior hacia arriba.
- Chequear si el placa del ventilador está instalado correctamente en el horno.

A4. INSTALACIÓN DEL HORNO MICROONDAS



POR RAZONES DE SEGURIDAD PERSONAL Y PARA FACILITAR LA INSTALACIÓN, SE RECOMIENDA QUE **DOS PERSONAS INSTALEN EL HORNO MICROONDAS.**

IMPORTANTE: No agarre ni use la manija o el escudo térmico durante la instalación. No retire los separadores de cartón entre el escudo térmico y la puerta.

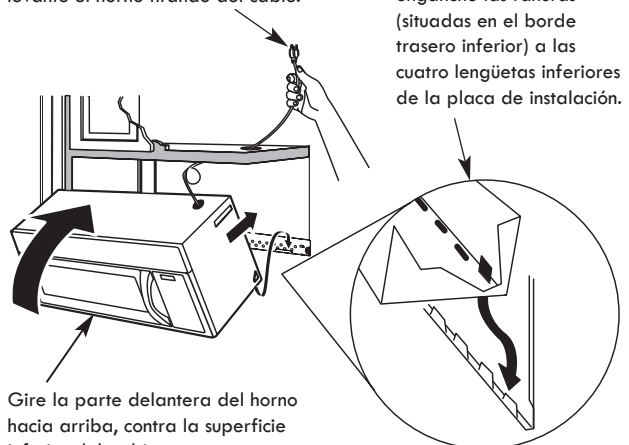
NOTA: Si el gabinete es metálico, use una moldura aislante de nylon alrededor del agujero para el cable eléctrico, a fin de evitar cortes en el cable.

NOTA: Se recomienda el uso de bloques de relleno si la parte delantera del gabinete sobresale debajo del estante inferior del gabinete.

IMPORTANTE: Si no se usan bloques de relleno, pueden producirse daños en la carcasa por apretar demasiado los tornillos.

NOTA: cuando instale el horno microondas, pase el cable eléctrico a través del agujero correspondiente de la superficie inferior del gabinete superior: Manténgalo tenso/recto durante los pasos 1 a 3. No permita que el cable quede atrapado ni levante el horno tirando del cable.

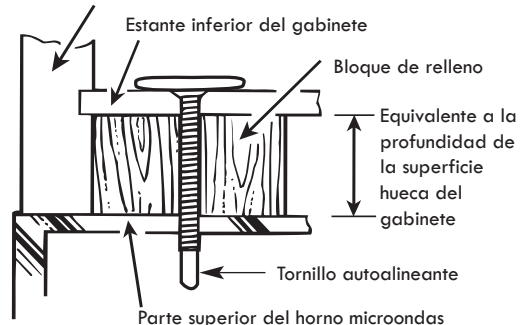
1 Levante el microondas, inclínelo hacia adelante y enganche las ranuras (situadas en el borde trasero inferior) a las cuatro lengüetas inferiores de la placa de instalación.



2 Gire la parte delantera del horno hacia arriba, contra la superficie inferior del gabinete.

3 Inserte un tornillo autoalineante a través del agujero del centro del gabinete superior: Fije temporalmente el horno apretando el tornillo al menos **dos vueltas completas** después de que el tornillo quede enroscado. (Más adelante se procederá a apretar completamente el tornillo.) **Asegúrese de mantener tenso/recto el cable eléctrico. Tenga cuidado de evitar que el cable quede atrapado, especialmente al realizar la instalación del horno a ras contra la superficie inferior del gabinete.**

Parte delantera del gabinete

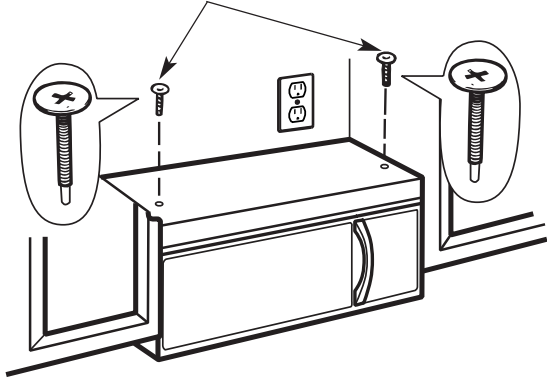


4 Fije el horno microondas al gabinete superior.

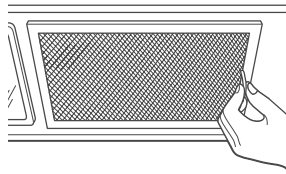
Instrucciones de instalación

A4. INSTALACIÓN DEL HORNO MICROONDAS (cont.)

- 5 Inserte 2 tornillos autoalineantes a través de los agujeros exteriores del gabinete superior. Apriete cada uno de los tornillos dos vueltas completas.



- 7 Apriete los dos tornillos externos a la parte superior del horno. (Mientras aprieta los tornillos, mantenga sujeto el horno contra la pared y el gabinete superior:)



- 8 Instale los filtros de grasa. Consulte el Manual del usuario provisto con el microondas.

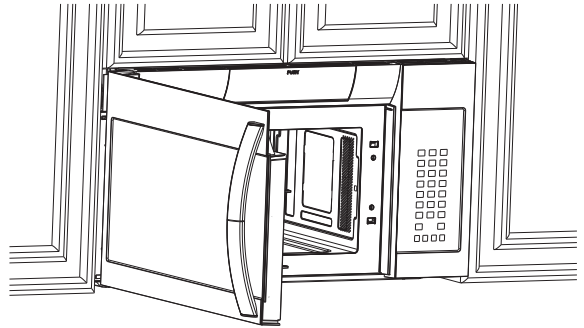
A5. Instalación o cambiar del filtro de carbón (Algunos Modelos)

NOTA: El filtro de carbón está instalado de fábrica en algunos modelos. Consulte la sección Uso y cuidado para ver si su dispositivo lo tiene y para leer información sobre su remplazo.

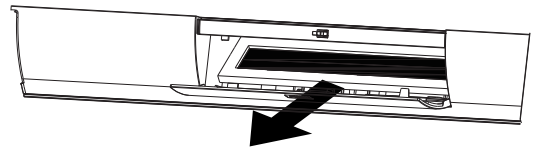
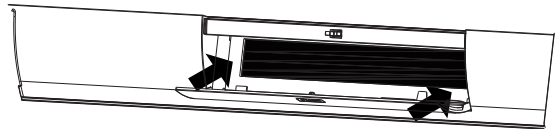
Para el modelo sin la puerta de acceso al filtro de recirculación, siga las instrucciones para remplazar o instalar un filtro de carbon.

- A 5.1 Desconecte el microondas del suministro eléctrico.

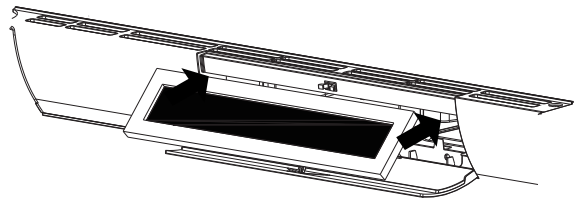
- A 5.2 Abra la puerta del microondas y presione la posición "PUSH" en el respiradero, y luego abra la tapa.



- A 5.3 Quitar el filtro de carbón, empujando la parte superior del filtro hacia dentro, luego tire de él hacia adelante desde la unidad.



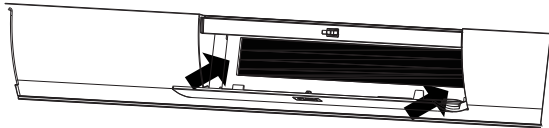
- A 5.4 Deslice la parte superior del nuevo filtro de carbón en la parte superior de la cavidad del filtro.



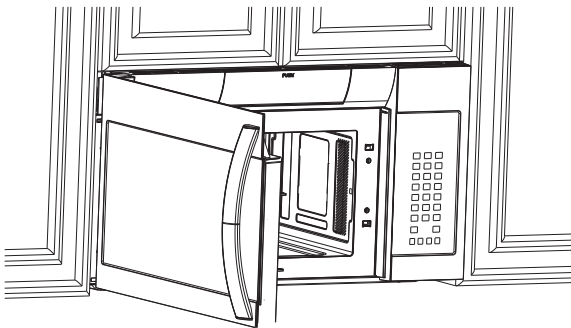
Instrucciones de instalación

A5. Instalación o cambiar del filtro de carbón (Cont.)

A 5.5 Presione la parte inferior del filtro de carbón para colocarlo en la posición correcta.



A 5.6 Luego cierre la cubierta de ventilación.



A 5.7 Cierre la puerta del microondas. Enchúgelo o reconecte la energía eléctrica.

Instrucciones de instalación

INSTRUCCIONES DE INSTALACIÓN DE CONDUCTOS DE ESCAPE EXTERNAS

NOTA: en caso de que sea necesario instalar conductos, tenga en cuenta que el largo total de los conductos. rectangulares (ancho de 3 1/4" x 10" u 8,2 cm x 25,4 cm) o redondos (diámetro de 5" ó 12,7 cm) / (diámetro de 6" ó 15,2 cm) **NO debe ser superior a 140 pies (42,7 m).**

La ventilación exterior requiere el uso de un CONDUCTO PARA CAMPANA EXTRACTORA. Lea con atención las siguientes recomendaciones.

NOTA: es importante que se instale el sistema de ventilación siguiendo la ruta más directa y con el menor número posible de codos. Esto garantizará la salida fluida del aire por los conductos de extracción y evitará cualquier bloqueo. **Asimismo, asegúrese de que los reguladores de extracción se muevan libremente y nada bloquee los conductos.**

Conexión de escape





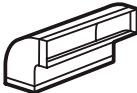
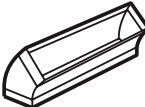


El adaptador fue diseñado para concordar con un ducto rectangular estandar 3 1/4" x 10" (8.2 x 25.4 cm). Si se requiere de un ducto redondo, se debe utilizar un adaptador de transición.

Un ducto con un diámetro de 5" (12.7cm) / 6" (15.2cm) es aceptable.

Largo máximo del conducto:

Para lograr una salida satisfactoria del aire, el largo total del conducto rectangular con un ancho de 3 1/4" x 10" (8,2 x 25,4 cm) o redondo con un diámetro de 5" (12,7 cm) / 6" (15,2 cm) no debe ser mayor que 140 pies (42,7 m).

Los codos, los adaptadores, las tapas de salida al techo o a la pared, etc., representan áreas de resistencia adicional al flujo del aire y son equivalentes a una sección de conducto recto cuyo largo es mayor que su tamaño físico real. Cuando calcule el largo total del conducto, añada el largo equivalente de cada uno de los adaptadores, codos, etc., más el largo de todas las secciones rectas del conducto. La tabla siguiente contiene información para saber cómo calcular el largo total (en medidas equivalentes) del sistema de conductos, a partir del largo aproximado en pies de algunos conductos/adaptadores/codos, etc. estándar.

PIEZAS DEL CONDUCTO		LARGO (MEDIDAS EQUIVALENTES)	x	No DE UNIDADES-UTILIZADAS	=	LARGO (MEDIDAS EQUIVALENTES)
	Adaptador de unión entre el conducto rectangular y el redondo*	5 pies (1,5 m)	x	()	=	Pies o m (metros)
	Tapa de salida a la pared	40 pies (12,2 m)	x	()	=	Pies o m (metros)
	Codo de 90°	10 pies (3 m)	x	()	=	Pies o m (metros)
	Codo de 45°	5 pies (1,5m)	x	()	=	Pies o m (metros)
	Codo de 90°	25 pies (7,6 m)	x	()	=	Pies o m (metros)
	Codo de 45°	5 pies (1,5 m)	x	()	=	Pies o m (metros)
	Tapa d salida al techo	24 pies (7,3 m)	x	()	=	Pies o m (metros)
	Conducto recto redondo de 6" (15,2 cm) de diámetro o rectangular de 3 1/4" x 10" (8,2 x 25,4 cm) de ancho	1 pies (0,3m)	x	()	=	Pies o m (metros)
Largo total del sistema de conductos =						Pies o m (metros)



***IMPORTANTE:** si se utiliza un adaptador de unión entre el conducto rectangular y el redondo, los bordes inferiores del regulador de extracción tendrán que ser recortados (con una tijera para hojalata), a fin de que se ajusten y permitan el libre movimiento del regulador.

Los largos (en medidas equivalentes) de las piezas del conducto están basados en pruebas reales y se ajustan a los requisitos para un buen rendimiento de ventilación con cualquier campana extractora.

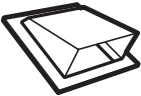


Instrucciones de instalación

CONDUCTOS DE ESCAPE EXTERNAS

EXTRACCIÓN SUPERIOR EXTERNA (SÓLO EJEMPLO)

La siguiente tabla contiene un ejemplo de una posible instalación de un sistema de conducto de extracción.






PIEZAS DEL CONDUCTO		LARGO (MEDIDAS EQUIVALENTES)	x	No DE UNIDADES-UTILIZADAS	=	LARGO (MEDIDAS EQUIVALENTES)
	Tapa d salida al techo	24 pies (7,3 m)	x	(1)	=	24 pies (7,3 m)
	Conducto recto de 12 pies (3,6 m) y diámetro de 6" (15,2 cm)	12 pies (3,6 m)	x	(1)	=	12 pies (3,6 m)
	Adaptador de unión entre el conducto rectangular y el redondo*	5 pies (1,5 m)	x	(1)	=	5 pies (1,5 m)
Los largos (en medidas equivalentes) de las piezas del conducto están basados en pruebas reales y se ajustan a los requisitos para un buen rendimiento de ventilación con cualquier campana extractora.						Largo total del sistema de conductos = 41 pies (12,5 m)

* **IMPORTANTE:** si se utiliza un adaptador le unión entre el conducto rectangular y el redondo, los bordes inferiores del regulador de extracción tendrán que ser recortados (con una tijera para hojalata), a fin de que se ajusten y permitan el libre movimiento del regulador.

EXTRACCIÓN TRASERA EXTERNA (SÓLO EJEMPLO)

La siguiente tabla contiene un ejemplo de una posible instalación de un sistema de conducto de extracción.



PIEZAS DEL CONDUCTO		LARGO (MEDIDAS EQUIVALENTES)	x	No DE UNIDADES-UTILIZADAS	=	LARGO (MEDIDAS EQUIVALENTES)
	Tapa de salida a la pared	40 pies (12, 2 m)	x	(1)	=	40 pies (12, 2 m)
	Conducto recto rectangular de 3 pies (0,9 m) de largo (3 y 1/4" x 10" (8,2 cm x 25,4 cm) de ancho	3 pies (0.9 m)	x	(1)	=	3 pies (0.9 m)
	Codo de 90°	10 pies (3 m)	x	(2)	=	20 pies (3 m)
Los largos (en medidas equivalentes) de las piezas del conducto están basados en pruebas reales y se ajustan a los requisitos para un buen rendimiento de ventilación con cualquier campana extractora.						Largo total del sistema de conductos = 63 pies (19,2 m)

NOTA: en el caso de extracción por la parte trasera, hay que tener cuidado de alinear los conductos de extracción con el espacio entre las vigas (el entramado), o bien que la pared haya sido preparada durante su construcción para dejar suficiente espacio entre las vigas para el sistema de extracción.

Instrucciones de instalación

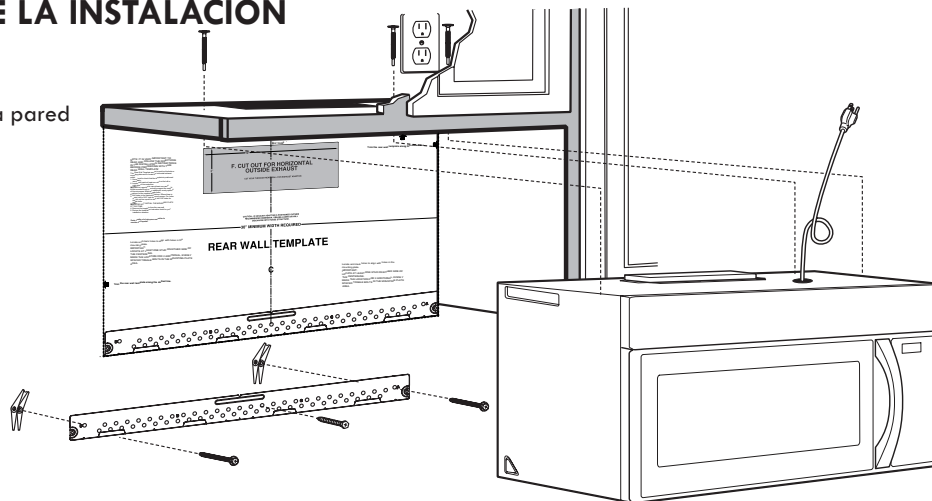
B EXTRACCIÓN TRASERA EXTERNA (Conducto Horizontal)

DESCRIPCIÓN GENERAL DE LA INSTALACIÓN

- B1. Preparación de la pared trasera
- B2. Desinstalación del placa del ventilador
- B3. Montaje de la placa de instalación en la pared
- B4. Preparación del gabinete superior
- B5. Ajuste del ventilador
- B6. Instalación del horno microondas

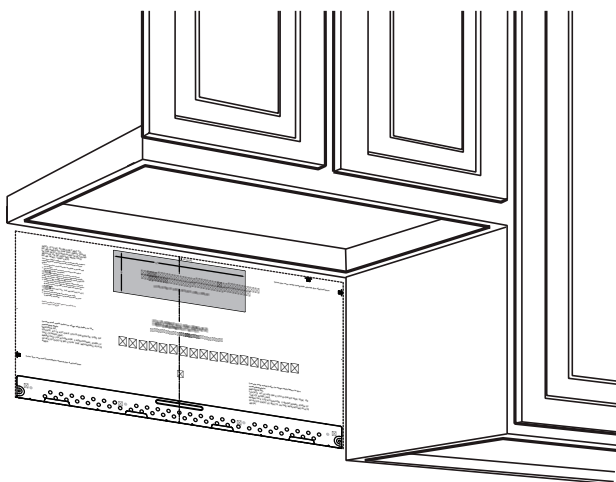
NOTAS IMPORTANTES:

- Asegúrese de que los tornillos del motor del ventilador y la placa del ventilador queden firmemente apretados al volver a instalarlos. Esto ayudará a prevenir el exceso de vibraciones.
- Asegúrese de que el cableado del motor quede debidamente orientado y asegurado, y que los cables no queden atrapados.



B1. PREPARACIÓN DE LA PARED TRASERA PARA LA SALIDA DE EXTRACCIÓN TRASERA EXTERNA

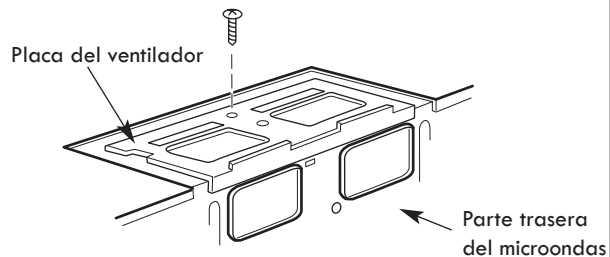
Es necesario realizar un corte en la pared trasera para crear una abertura para la salida de extracción externa.



- Lea las instrucciones de la sección PLANTILLA PARA LA PARED TRASERA.
- Adhiera con cinta la plantilla a la pared trasera, alineándola con los agujeros previamente taladrados para coincidir con los agujeros A y B en la placa para la pared.
- Realice el corte de la abertura, siguiendo las instrucciones de la sección PLANTILLA PARA LA PARED TRASERA.

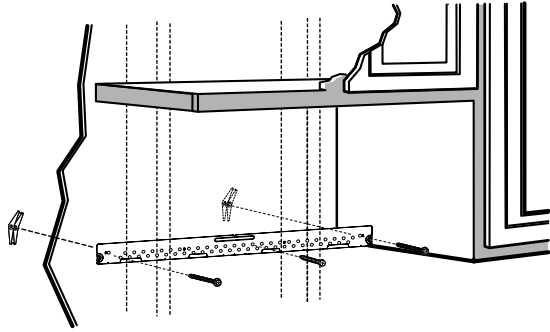
B2. DESINSTALACIÓN DEL PLACA DEL VENTILADOR

Quite y guarde el tornillo que sujeta la placa del ventilador al microondas. Levante la placa del ventilador para retirarla.



Instrucciones de instalación

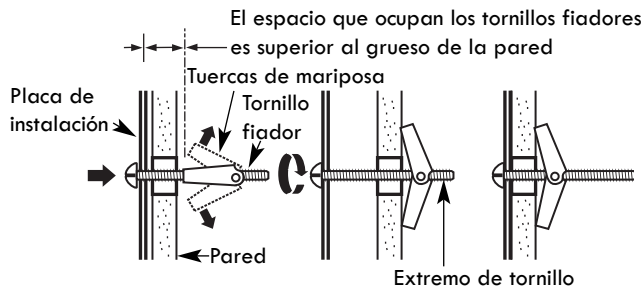
B3. MONTAJE DE INSTALACIÓN LA PLACA DE EN LA PARED



Fije la placa en la pared con los tornillos de fiador. Al menos un tornillo para madera debe ser utilizado para fijar la placa a una viga de la pared.

- 1 Quite las tuercas de mariposa de los tornillos.
- 2 Inserte los tornillos en la placa de instalación, a través de los agujeros taladrados en las partes de la pared que no son viga (los paneles) y vuelva a insertar las tuercas de mariposa hasta 3/4" (19 mm) de cada tornillo.

Para utilizar tornillos de fiador:



- 3 Coloque la placa de instalación contra la pared e inserte las tuercas de mariposa en los agujeros de la pared, a fin de instalar la placa.

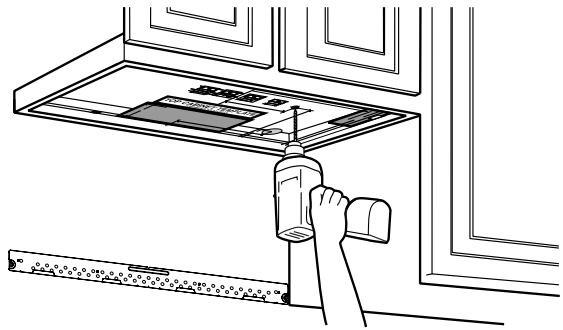
NOTA: antes de apretar los tornillos de fiador y el tornillo para madera, asegúrese de que las lengüetas de la placa de instalación toquen la parte inferior del gabinete cuando sear empujadas a ras contra la pared, y que la placa quede debidamente centrada bajo el gabinete.

PRECAUCIÓN: tenga cuidado de evitar que sus dedos queden atrapados entre la parte trasera de la placa de instalación y la pared.

- 4 Apriete todos los tornillos. Tire de la placa alejándola de la pared, a fin de que resulte más fácil apretar los tornillos.

B4. USO DE LA PLANTILLA PARA EL GABINETE SUPERIOR A FIN DE PREPARAR EL AREA DE DICHO GABINETE

Es necesario taladrar agujeros para los tomillos de soporte superior, así como un agujero lo suficientemente grande para que el cable eléctrico pueda pasar a través.

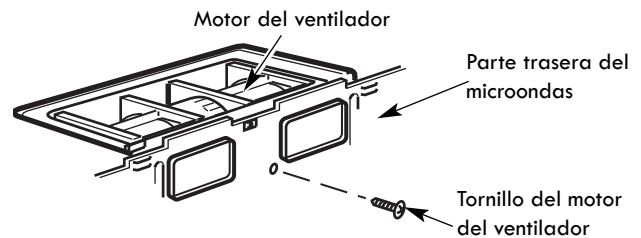


- Lea las instrucciones de la sección PLANTILLA PARA EL GABINETE SUPERIOR.
- Adhiera con cinta la plantilla al gabinete superior.
- Taladre los agujeros, siguiendo las instrucciones de la sección PLANTILLA PARA EL GABINETE SUPERIOR.

PRECAUCIÓN: cuando taladre los agujeros en la superficie inferior del gabinete, use gafas protectoras.

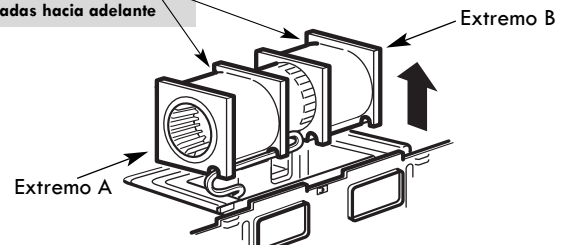
B5. AJUSTE DEL VENTILADOR DEL MICROONDAS PARA LA EXTRACCIÓN TRASERA EXTERNA

- 1 Quite y guarde el tornillo que sujeta el motor del ventilador al microondas.

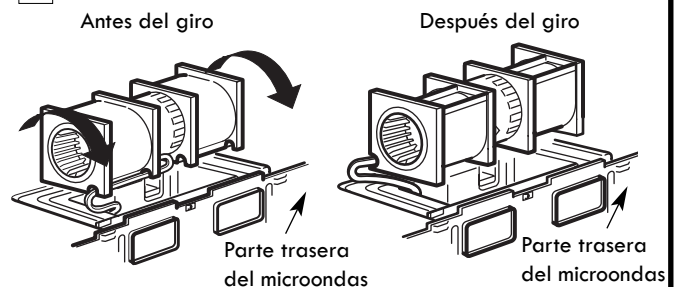


- 2 Tire del ventilador con cuidado hacia afuera. Los cables se extenderán lo suficiente para permitir el ajuste del ventilador.

ANTES: aberturas de las aletas del ventilador orientadas hacia adelante



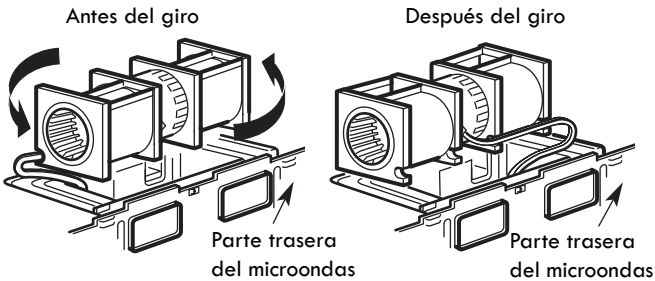
- 3 Gire el ventilador 90°.



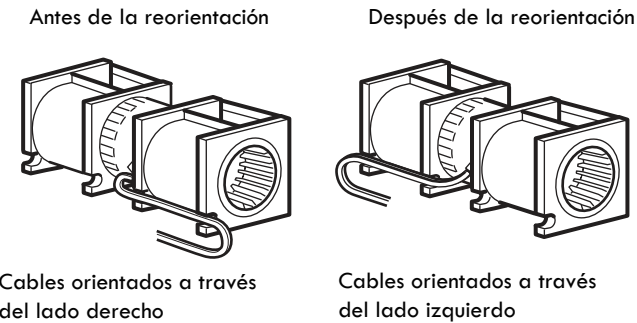
Instrucciones de instalación

B5. AJUSTE DEL VENTILADOR DEL MICROONDAS PARA LA EXTRACCIÓN TRASERA EXTERNA (cont.)

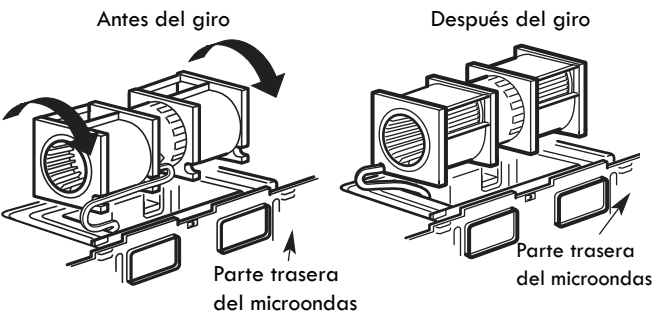
- 4 Gire el ventilador hacia la izquierda 180°.



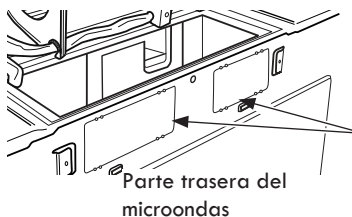
- 5 Retire suavemente los cables de las ranuras. Reoriente los cables a través de las ranuras hacia el otro lado del ventilador.



- 6 Gire el ventilador 90°, de manera que las aberturas de las aletas del ventilador queden orientadas hacia la parte trasera del microondas.

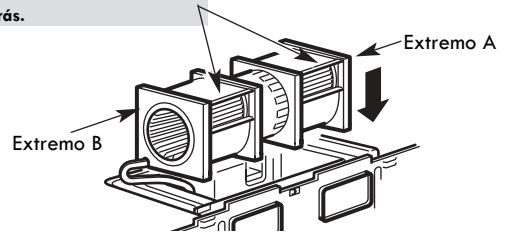


- 7 Retire las placas preperforadas en la parte trasera de la unidad con recortes. (Param algunos modelos)
Placas Preperforadas: Recorte las 4 redes en cada panel preperforado y retire las perforaciones metálicas para el flujo de aire trasero. Se deberá eliminar cualquier extremo punteagudo creado al retirar las placas preperforadas.



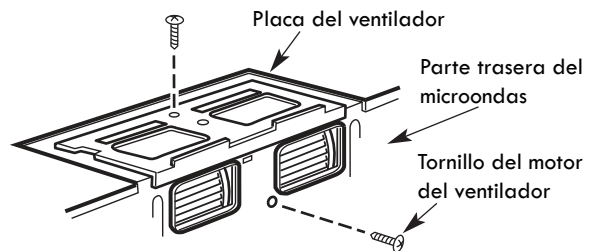
- 8 Vuelva a colocar el ventilador dentro de su abertura.

DESPUÉS: Aberturas de las aletas del ventilador orientadas hacia atrás.



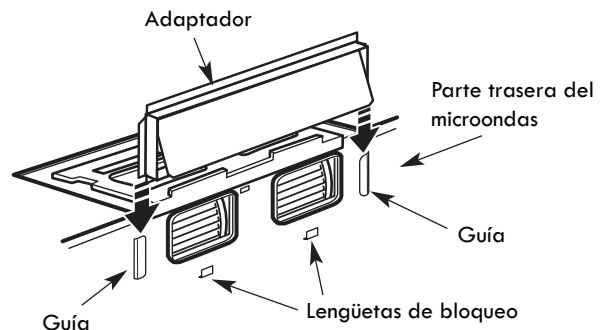
PRECAUCIÓN: No tire hacia afuera ni estire los cables del ventilador. Asegúrese de que los cables no queden atrapados y que queden debidamente asegurados.
NOTA: Las aberturas de extracción del ventilador deben coincidir con las aberturas de extracción situadas en la parte trasera del horno.

- 9 Fije el ventilador al microondas con su tornillo original.



- 10 Vuelva a fijar (con el tornillo) la placa del ventilador en la misma posición en que estaba antes. Asegúrese de que el tornillo quede apretado.

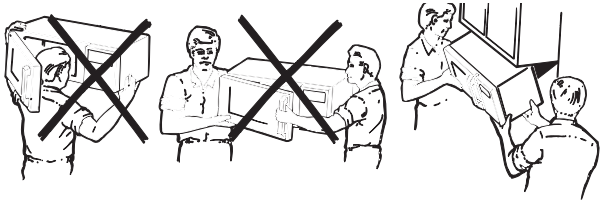
- 11 Instale el adaptador de extracción en la parte trasera del horno, deslizándolo por las guías situadas en la parte central superior de la parte trasera del horno.



Empuje hacia adentro hasta que encaje en las lengüetas de bloqueo inferiores. Tenga cuidado de asegurarse de que la bisagra del regulador de extracción esté instalada de manera que quede en la parte superior y que se pueda mover libremente.

Instrucciones de instalación

B6. INSTALACIÓN DEL HORNO MICROONDAS



POR RAZONES DE SEGURIDAD PERSONAL Y PARA FACILITAR LA INSTALACIÓN, SE RECOMIENDA QUE DOS PERSONAS INSTALEN EL HORNO MICROONDAS.

IMPORTANTE: No agarre ni use la manija o el escudo térmico durante la instalación. No retire los separadores de cartón entre el escudo térmico y la puerta.

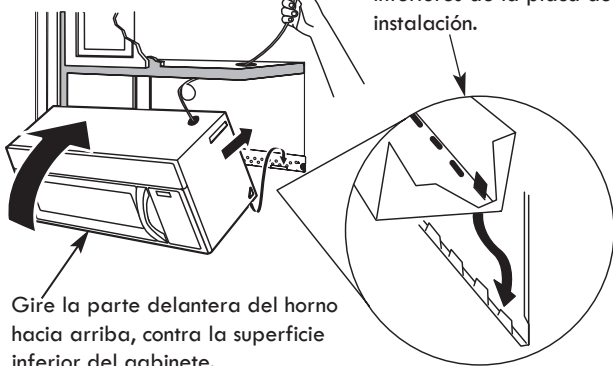
NOTA: Si el gabinete es metálico, use una moldura aislante de nylon alrededor del agujero para el cable eléctrico, a fin de evitar cortes en el cable.

NOTA: Se recomienda el uso de bloques de relleno si la parte delantera del gabinete sobresale debajo del estante inferior del gabinete.

IMPORTANTE: Si no se usan bloques de relleno, pueden producirse daños en la carcasa por apretar demasiado los tornillos.

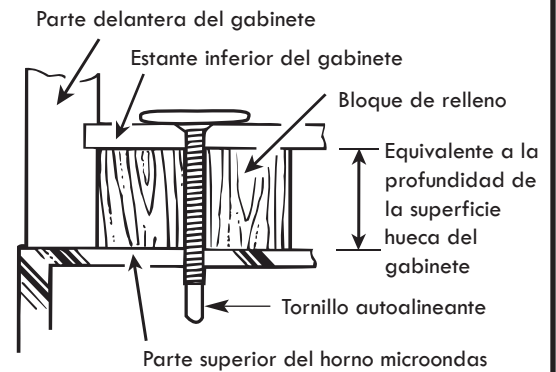
NOTA: cuando instale el horno microondas, pase el cable eléctrico a través del agujero correspondiente de la superficie inferior del gabinete superior: Manténgalo tenso/recto durante los pasos 1 a 3. No permita que el cable quede atrapado ni levante el horno tirando del cable.

1 Levante el microondas, inclínelo hacia adelante y enganche las ranuras (situadas en el borde trasero inferior) a las cuatro lengüetas inferiores de la placa de instalación.



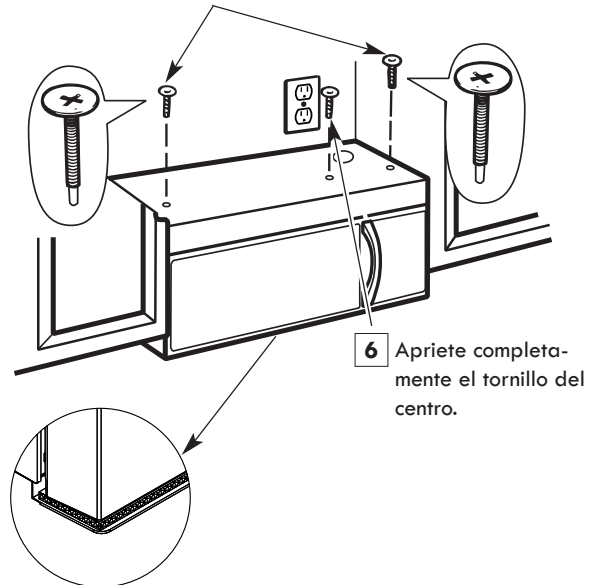
2 Gire la parte delantera del horno hacia arriba, contra la superficie inferior del gabinete.

3 Inserte un tornillo autoalineante a través del agujero del centro del gabinete superior: Fije temporalmente el horno apretando el tornillo al menos **dos vueltas completas** después de que el tornillo quede enroscado. (Más adelante se procederá a apretar completamente el tornillo.) **Asegúrese de mantener tenso/recto el cable eléctrico. Tenga cuidado de evitar que el cable quede atrapado, especialmente al realizar la instalación del horno a ras contra la superficie inferior del gabinete.**



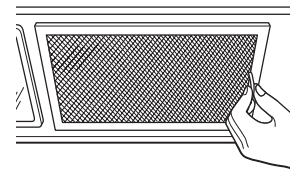
4 Fije el horno microondas al gabinete superior.

5 Inserte 2 tornillos autoalineantes a través de los agujeros exteriores del gabinete superior. Apriete cada uno de los tornillos dos vueltas completas.



6 Apriete completamente el tornillo del centro.

7 Apriete los dos tornillos externos a la parte superior del horno. (Mientras aprieta los tornillos, mantenga sujeto el horno contra la pared y el gabinete superior)



8 Instale los filtros de grasa. Consulte el Manual del usuario provisto con el microondas.

IMPORTANTE: retire los separadores de cartón entre el escudo térmico y la puerta

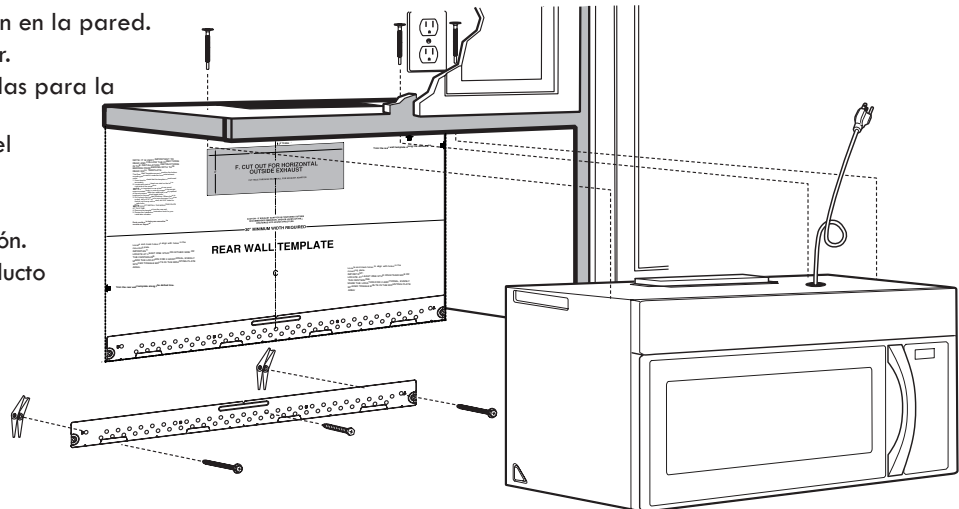
C EXTRACCIÓN SUPERIOR EXTERNA (conducto vertical)

DESCRIPCIÓN GENERAL DE LA INSTALACIÓN

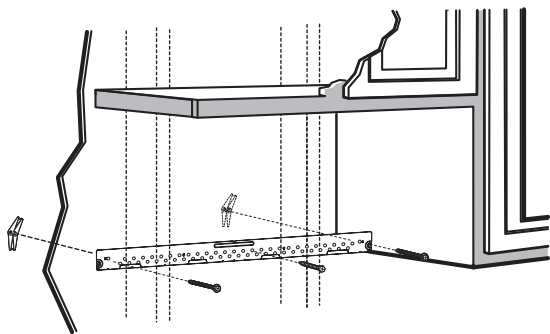
- A1. Montaje de la placa de instalación en la pared.
- A2. Preparación del gabinete superior.
- A3. Ajuste del ventilador del microondas para la extracción superior externa.
- A4. Verificación del funcionamiento del regulador de extracción.
- A5. Instalación del horno microondas.
- A6. Ajuste del adaptador de extracción.
- A7. Acoplamiento del sistema de conducto

NOTAS IMPORTANTES:

- Asegúrese de que los tornillos del motor del ventilador y la placa del ventilador queden firmemente apretados al volver a instalarlos. Esto ayudará a prevenir el exceso de vibraciones.
- Asegúrese de que el cableado del motor quede debidamente orientado y asegurado, y que los cables no queden atrapados.



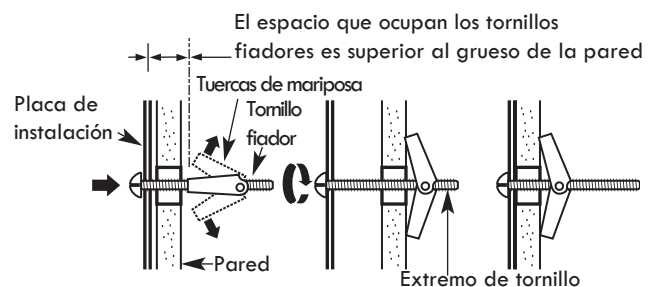
C1. MONTAJE DE INSTALACIÓN LA PLACA DE EN LA PARED



Fije la placa en la pared con los tornillos de fiador. Al menos un tornillo para madera debe ser utilizado para fijar la placa a una viga de la pared.

- 1 Quite las tuercas de mariposa de los tornillos.
- 2 Inserte los tornillos en la placa de instalación, a través de los agujeros taladrados en las partes de la pared que no son viga (los paneles) y vuelva a insertar las tuercas de mariposa hasta 3/4" (19 mm) de cada tornillo.

Para utilizar tornillos de fiador:



- 3 Coloque la placa de instalación contra la pared e inserte las tuercas de mariposa en los agujeros de la pared, a fin de instalar la placa.

NOTA: antes de apretar los tornillos de fiador y el tornillo para madera, asegúrese de que las lengüetas de la placa de instalación toquen la parte inferior del gabinete cuando sean empujadas a ras contra la pared, y que la placa quede debidamente centrada bajo el gabinete.

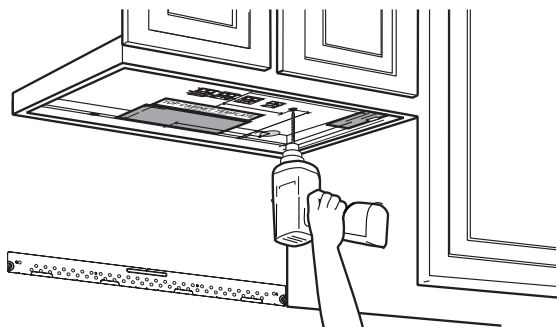
PRECAUCIÓN: tenga cuidado de evitar que sus dedos queden atrapados entre la parte trasera de la placa de instalación y la pared.

- 4 Apriete todos los tornillos. Tire de la placa alejándola de la pared, a fin de que resulte más fácil apretar los tornillos.

Instrucciones de instalación

C2. USO DE LA PLANTILLA PARA EL GABINETE SUPERIOR A FIN DE PREPARAR EL ÁREA DE DICHO GABINETE

Es necesario taladrar agujeros para los tornillos de soporte superior, realizar un agujero lo suficientemente grande para que el cable eléctrico pueda pasar a través y recortar también un hueco lo suficientemente amplio para el adaptador de extracción.

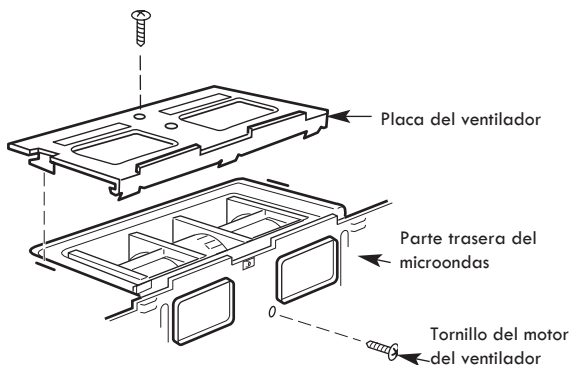


- Lea las instrucciones de la sección PLANTILLA PARA EL GABINETE SUPERIOR.
- Adhiera con cinta la plantilla al gabinete superior.
- Taladre los agujeros, siguiendo las instrucciones de la sección PLANTILLA PARA EL GABINETE SUPERIOR.

PRECAUCIÓN: cuando taladre los agujeros en la superficie inferior del gabinete, use gafas protectoras.

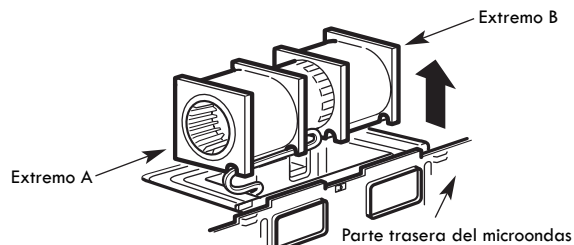
C3. AJUSTE DEL VENTILADOR DEL MICROONDAS PARA LA EXTRACCIÓN SUPERIOR EXTERNA

- 1 Coloque el microondas en posición vertical, con la parte superior hacia arriba.



Quite el tornillo que sujeta la placa del ventilador al microondas. Quite y guarde el tornillo que sujeta el motor del ventilador al microondas.

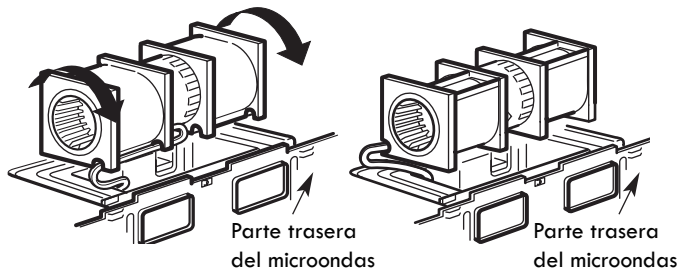
- 2 Tire del ventilador con cuidado hacia afuera. Los cables se extenderán lo suficiente para permitir el ajuste del ventilador.



- 3 Gire el ventilador 90°, de manera que las aberturas de las aletas del ventilador queden orientadas hacia la parte superior del microondas.

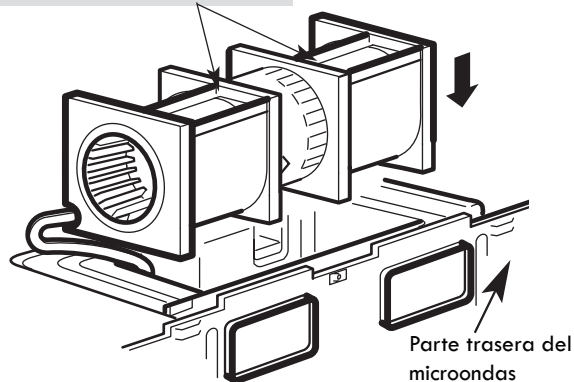
Antes de girar

Después de girar



- 4 Vuelva a colocar el ventilador dentro de su abertura.

DESPUÉS: Aberturas de las aletas del ventilador orientadas hacia arriba

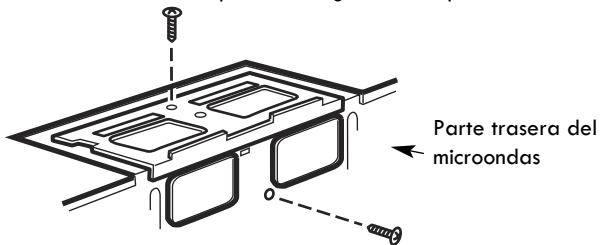


PRECAUCIÓN: No tire hacia afuera ni estire los cables del ventilador. Asegúrese de que los cables no queden atrapados y que queden debidamente asegurados.

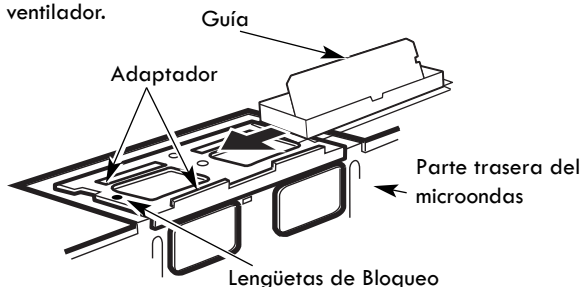
Instrucciones de instalación

C3. AJUSTE DEL VENTILADOR DEL MICROONDAS PARA LA EXTRACCIÓN SUPERIOR EXTERNA

- 5 Fije el ventilador al microondas con el tornillo previamente retirado en el paso 1. Asegúrese de apretar el tornillo.
- 6 Vuelva a fijar la placa del ventilador con el tornillo previamente retirado en el paso 1. Asegúrese de apretar el tornillo.

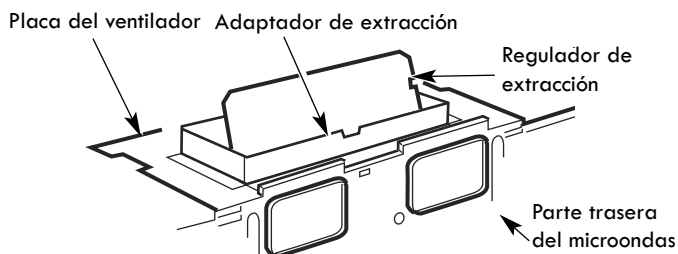


- 7 Instale el adaptador de extracción en la parte superior del placa del ventilador, deslizándolo por las guías situadas en la parte central superior de la parte superior del placa del ventilador.



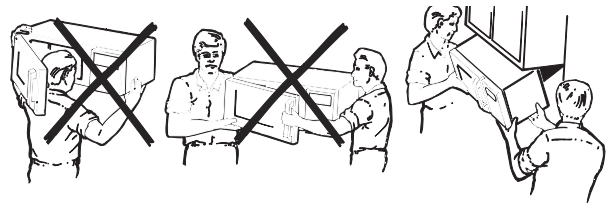
Empuje hacia adentro hasta que encaje en las lengüetas de bloqueo inferiores. Tenga cuidado de asegurarse de que la bisagra del regulador de extracción esté instalada de manera que quede movable libremente.

C4. VERIFICACIÓN DEL FUNCIONAMIENTO CORRECTO DEL REGULADOR DE EXTRACCIÓN



- Antes de instalar el microondas, asegúrese de que la cinta adhesiva que protege el regulador de extracción haya sido retirada y que el regulador se mueva fácilmente.
- Una vez instalado el microondas, necesitará realizar ajustes para asegurarse de lograr la alineación correcta con el conducto de extracción de la cocina.

C5. INSTALACIÓN DEL HORNO MICROONDAS



POR RAZONES DE SEGURIDAD PERSONAL Y PARA FACILITAR LA INSTALACIÓN, SE RECOMIENDA QUE **DOS PERSONAS INSTALEN EL HORNO MICROONDAS.**

IMPORTANTE: No agarre ni use la manija o el escudo térmico durante la instalación. No retire los separadores de cartón entre el escudo térmico y la puerta.

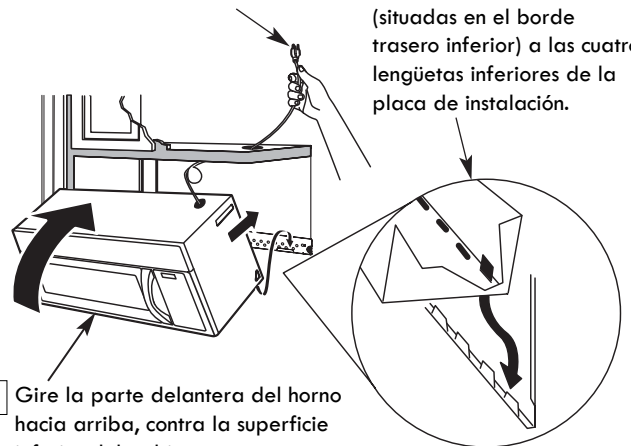
NOTA: si el gabinete es metálico, use una moldura aislante de nylon alrededor del agujero para el cable eléctrico, a fin de evitar cortes en el cable.

NOTA: se recomienda el uso de bloques de relleno si la parte delantera del gabinete sobresale debajo de la parte inferior del propio gabinete.

IMPORTANTE: Si no se usan bloques de relleno, pueden producirse daños en la carcasa por apretar demasiado los tornillos.

NOTA: cuando instale el horno microondas, ease el cable eléctrico a través del agujero correspondiente de la superficie inferior del gabinete superior. Manténgalo tenso recto durante los pasos 1 a 3. No permita que el cable quede atrapado ni levante el horno tirando del cable.

- 1 Levante el microondas, inclínelo hacia adelante y enganche las ranuras (situadas en el borde trasero inferior) a las cuatro lengüetas inferiores de la placa de instalación.

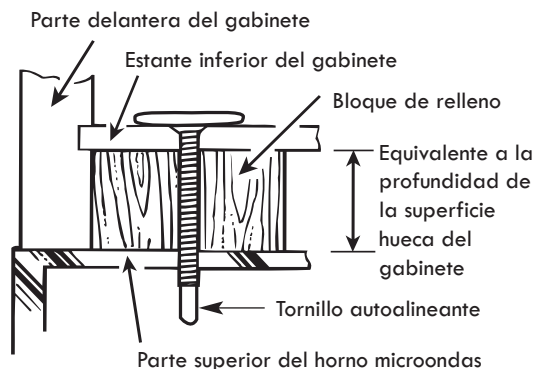


- 2 Gire la parte delantera del horno hacia arriba, contra la superficie inferior del gabinete.

- 3 Inserte un tornillo autoalineante a través del agujero del centro del gabinete superior. Fije temporalmente el horno apretando el tornillo al menos **dos vueltas completas** después de que el tornillo quede enroscado. (Más adelante se procederá a apretar completamente el tornillo.) Asegúrese de mantener tenso/recto el cable eléctrico. **Tenga cuidado de evitar que el cable quede atrapado, especialmente al realizar la instalación del horno a ras contra la superficie inferior del gabinete.**

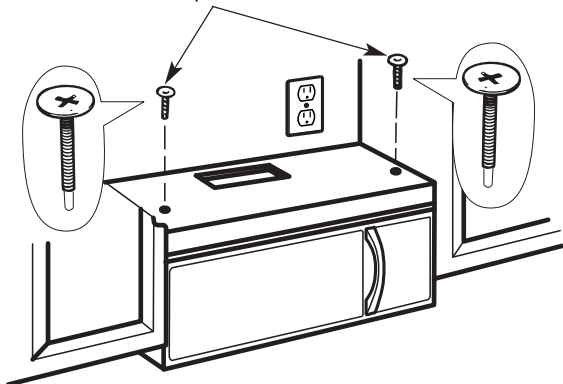
Instrucciones de instalación

C5. INSTALACIÓN DEL HORNO MICROONDAS (cont.)

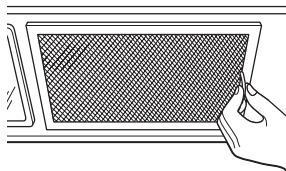


4 Fije el horno microondas al gabinete superior.

5 Inserte 2 tornillos autoalineantes a través de los agujeros exteriores del gabinete superior. Apriete cada uno de los tornillos dos vueltas completas.



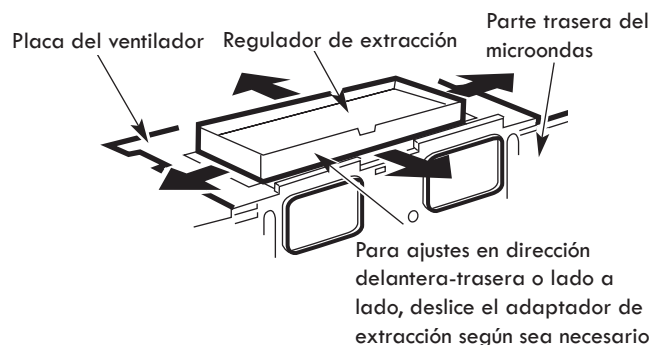
7 Apriete los dos tornillos externos a la parte superior del horno. (Mientras aprieta los tornillos, mantenga sujeto el horno contra la pared y el gabinete superior)



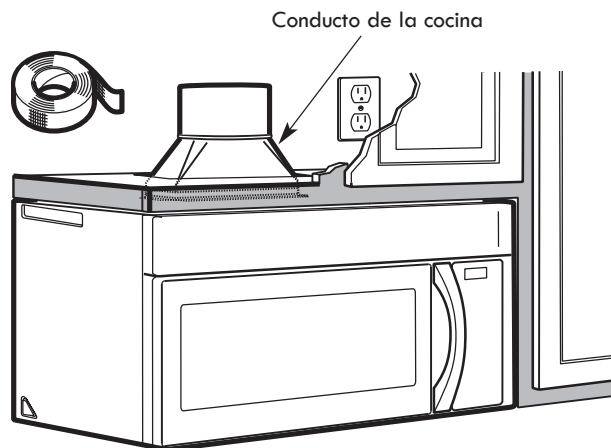
8 Instale los filtros de grasa. Consulte el Manual del usuario provisto con el microondas.

C6. AJUSTE DEL ADAPTADOR DE EXTRACCIÓN

Abra el gabinete superior y ajuste el adaptador de Extracción para acoplarlo al conducto de la cocina.



C7. ACOPLAMIENTO DEL SISTEMA DE CONDUCTOS



- 1 Extienda el conducto de la cocina para que se acople al adaptador de extracción.
- 2 Selle las uniones del conducto de escape usando cinta aislante para calefacción para altas temperaturas.

Instrucciones de instalación

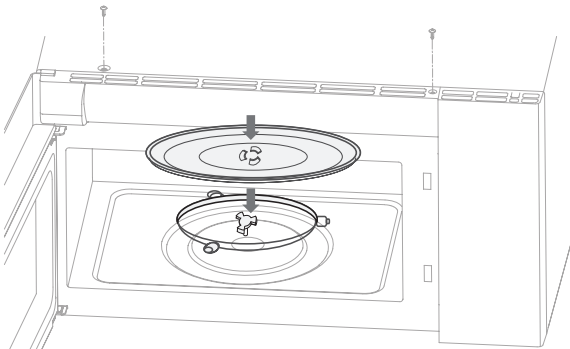
ANTES DE USAR EL HORNO MICROONDAS

- 1.** Asegúrese de que el horno microondas haya sido instalado según las instrucciones.

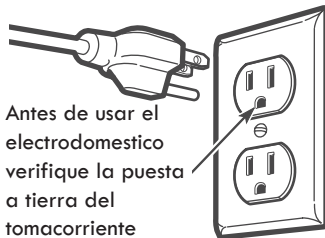


- 2.** Retire todo el material de empaque del horno microondas.

- 3.** Instale el anillo y el plato giratorio en el interior del horno.

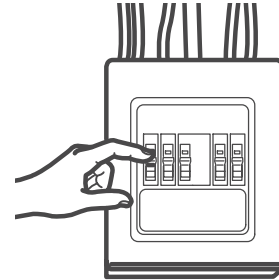


- 4.** Conecte el cable de alimentación a un tomacorriente exclusivo (dedicado) de 15 a 20 amperios.



Antes de usar el electrodomestico verifique la puesta a tierra del tomacorriente

- 5.** Vuelva a colocar el fusible correspondiente o encienda de nuevo el disyuntor.



- 6.** Lea el manual de uso y cuidado.

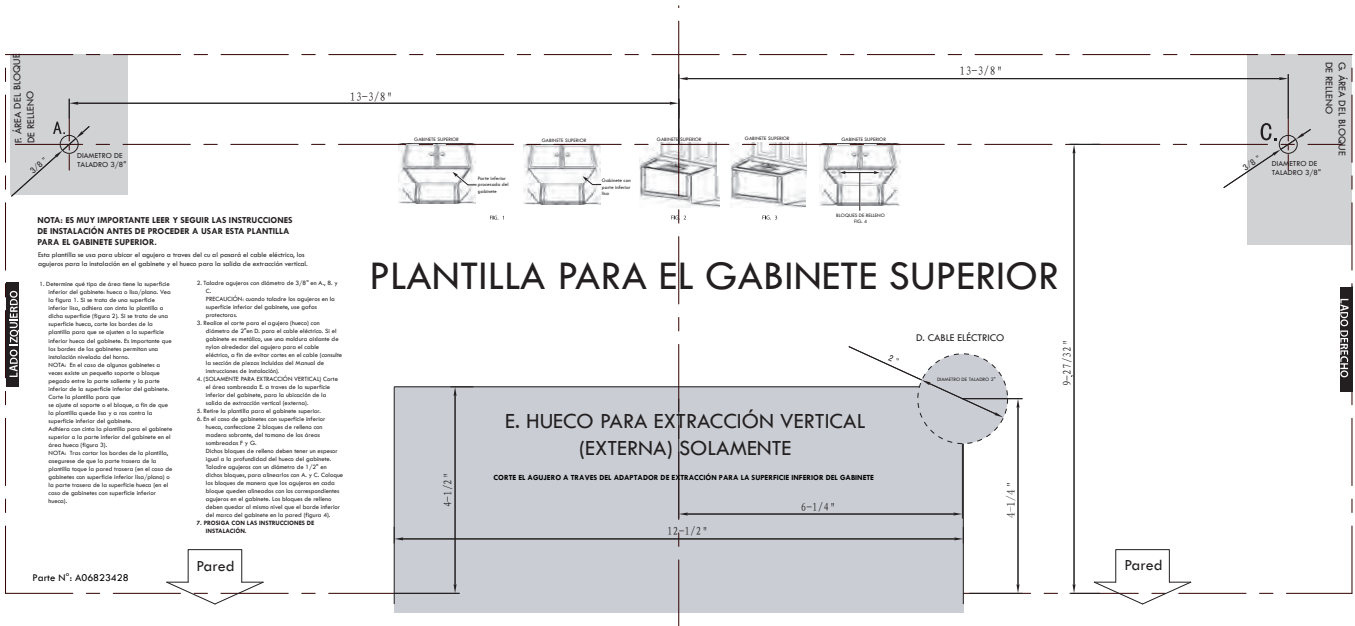
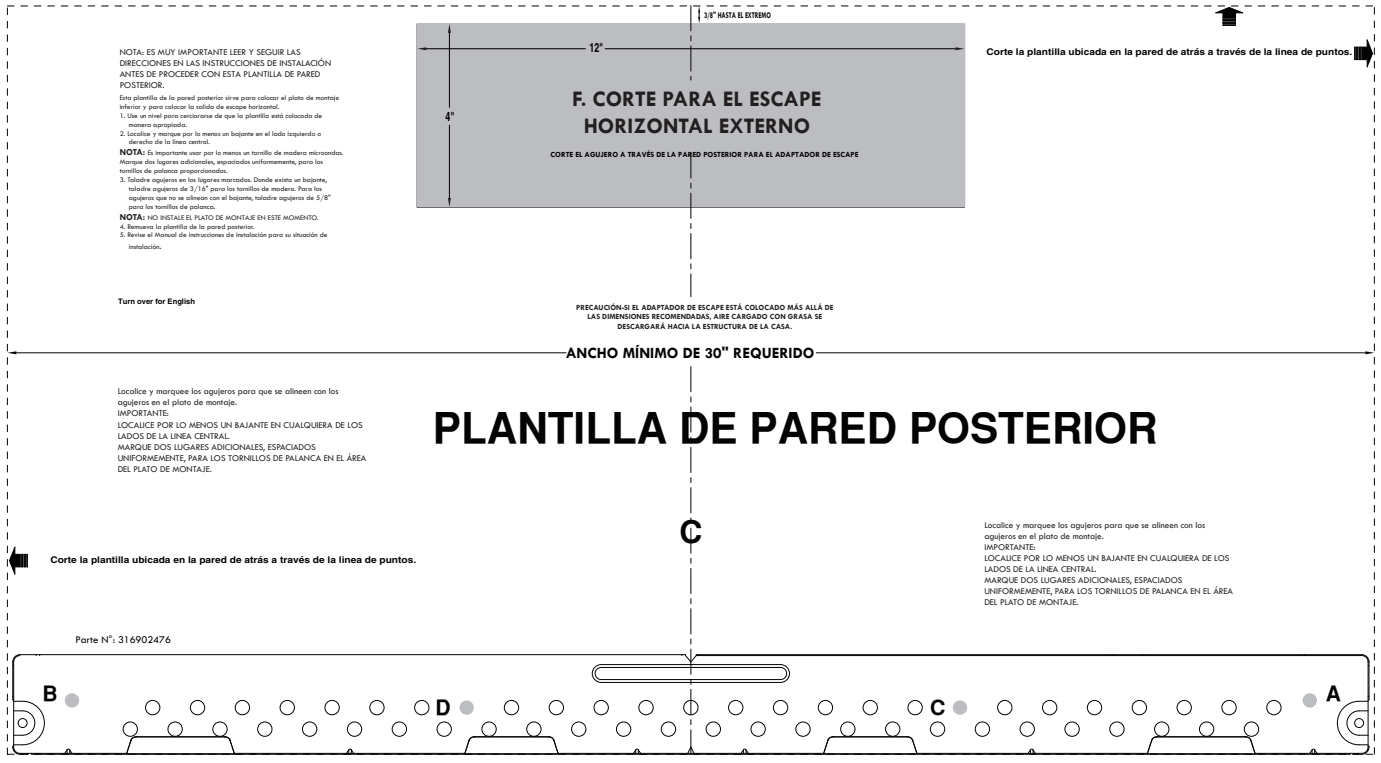


- 7.** CONSERVE LAS INSTRUCCIONES DE INSTALACIÓN PARA USO DEL INSPECTOR LOCAL.



- 8.** LIENE LA TARJETA DE REGISTRO DEL PRODUCTO.





Instructions d'installation

Four à micro-ondes à hotte intégrée

Des questions? Appelez au 1-800-944-9044(US) ou 1-800-265-8352(Canada)

AVANT DE COMMENCER

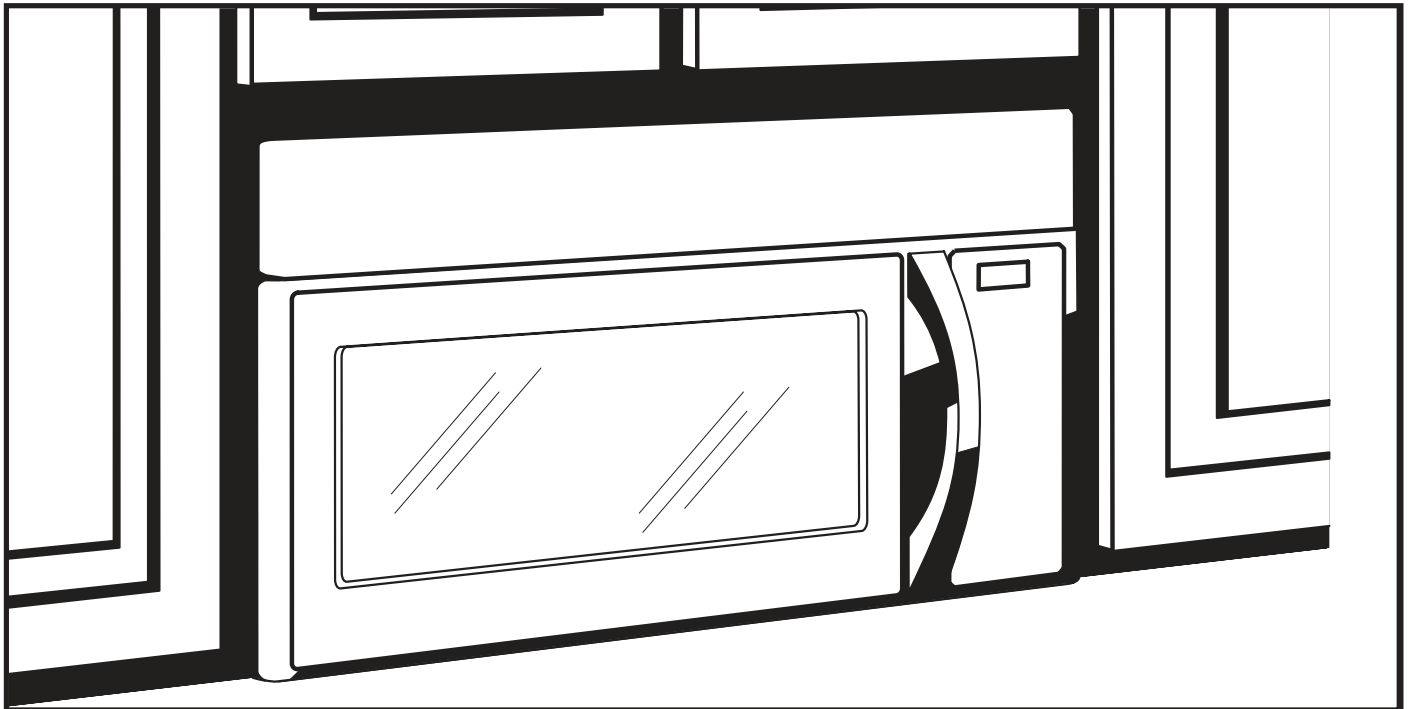
Lisez attentivement toutes ces instructions.

- **IMPORTANT** — Conservez ces instructions pour l'inspecteur local.
- **IMPORTANT** — Respectez tous les codes et règlements en vigueur.
- **Remarque destinée à l'installateur** — Assurez-vous de laisser ces instructions au consommateur.

- **Remarque destinée au consommateur** —

Conservez ces instructions pour vous y reporter ultérieurement.

- Niveau de compétence — L'installation de cet appareil nécessite des compétences de base en mécanique et en électricité.
- L'installateur est responsable de la qualité de l'installation.
- Une panne causée par une mauvaise installation n'est pas couverte par la garantie du produit.



**VEUILLEZ LIRE ATTENTIVEMENT.
CONSERVEZ CES INSTRUCTIONS.**

Instructions d'installation

INDEX:

Renseignements généraux

Mesures de sécurité importantes	3
Exigences électriques	3
Dommmages - Expédition/installation	4
Pièces comprises	4
Outils nécessaires	5
Dégagements pour l'installation	5

Guide d'installation étape par étape

Installation de la plaque de montage	6-8
Enlèvement de la plaque de montage	6
Localisation des montants	6
Établissement de l'emplacement de la plaque murale	7
Alignement de la plaque murale	8
Types d'installation	9

A Recyclage d'air	10-13
Fixation de la plaque de montage au mur	10
Préparation de l'armoire supérieure	11
Vérification de l' plaque du ventilateur	11
Installation du four à micro-ondes	11-12
Installation ou changement du filtre à charbon	12-13
Évacuation de la hotte	14-15

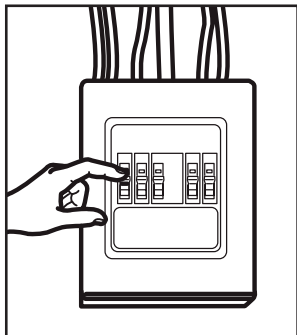
B Évacuation à l'extérieur par l'arrière	16-19
l'évacuation à l'extérieur par l'arrière	16
Enlèvement de l' plaque du ventilateur	16
Fixation de la plaque de montage au mur	17
Préparation de l'armoire supérieure	17
Adaptation du ventilateur du four à micro-ondes pour l'évacuation à l'extérieur par l'arrière	17-18
Installation du four à micro-ondes	19

C Évacuation à l'extérieur par le dessus	20-23
Fixation de la plaque de montage au mur	20
Préparation de l'armoire supérieure	21
Ajustement du ventilateur	21-22
Vérification du fonctionnement du registre	22
Installation du four à micro-ondes	22-23
Ajustement de l'adaptateur d'évacuation	23
Connexion au conduit	23
Avant d'utiliser votre four à micro-ondes	24
L'information de gabarit	25

Instructions d'installation

MESURES DE SÉCURITÉ IMPORTANTES

Ce produit nécessite une prise de courant à trois alvéoles mise à la terre. Avant d'entreprendre l'installation, l'installateur doit vérifier la continuité de la mise à la terre de la boîte de la prise de courant pour s'assurer que cette dernière est correctement mise à la terre. Si ce n'est pas le cas, ou si la boîte ne répond pas aux exigences électriques indiquées (à la section EXIGENCES ÉLECTRIQUES), il faut faire appel à un électricien qualifié pour corriger tout défaut.



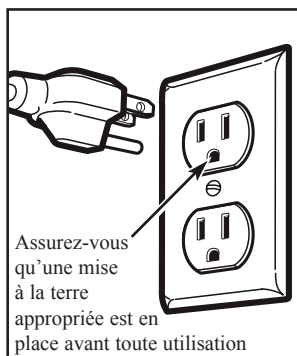
ATTENTION: Pour votre sécurité, enlevez le fusible ou déclenchez le disjoncteur au panneau de distribution principal avant d'entreprendre l'installation, afin d'éviter toute blessure grave ou mortelle imputable à un choc électrique.

ATTENTION : Pour votre sécurité, la surface de montage doit être en mesure de supporter la charge des armoires, ainsi qu'un poids supplémentaire de 28,5 à 38,5 kg (63 à 85 lb) correspondant au poids du produit, et la charge du four qui peut atteindre 22,7 kg (50 lb), pour un poids total de 51,3 à 61,2 kg (113 à 135 lb).

ATTENTION : Pour votre sécurité, ce produit ne doit pas être installé avec des armoires aménagées en flot ou en péninsule. Il doit être fixé **À LA FOIS** à une armoire supérieure **ET** à un mur.

REMARQUE : Pour faciliter l'installation et pour votre sécurité, l'installation de ce produit doit être effectuée par deux personnes.

IMPORTANT – VEUILLEZ LIRE ATTENTIVEMENT. POUR VOTRE SÉCURITÉ, CET APPAREIL DOIT ÊTRE CORRECTEMENT MIS À LA TERRE POUR ÉVITER UN CHOC GRAVE OU MORTEL.



Pour diminuer les risques de choc électrique, le cordon d'alimentation de cet appareil est muni d'une fiche à trois broches (mise à la terre) qui correspond à une prise murale à trois alvéoles, mise à la terre.

Demandez à un électricien qualifié de vérifier la prise murale et le circuit électrique pour vous assurer que la prise est correctement mise à la terre.

Si la prise murale est du type standard à deux alvéoles, il est très important de la faire remplacer par une prise à trois alvéoles correctement mise à la terre en vous adressant à un électricien qualifié.

NE COUPEZ, NE DÉFORMEZ ET NE RETIREZ EN AUCUN CAS UNE DES BROCHES DE LA FICHE DU CORDON D'ALIMENTATION. N'UTILISEZ PAS DE RALLONGE.

EXIGENCES ÉLECTRIQUES

Les caractéristiques nominales de ce produit sont : 120 V CA, 60 Hz, 15 A et 1,6 kW. Ce produit doit être branché à un circuit d'alimentation séparée et dédiée de tension et de fréquence appropriées. La grosseur des fils doit être conforme aux exigences du Code national d'électricité ou du code local en vigueur pour cette puissance nominale. La fiche du cordon d'alimentation doit être branchée dans une prise de courant mise à la terre, séparée et dédiée de 15 ou 20 ampères. La boîte de la prise doit être aménagée dans l'armoire située au-dessus du four à micro-ondes. La boîte de la prise et le circuit d'alimentation doivent être installés par un électricien qualifié, conformément aux normes du Code national d'électricité ou du code local en vigueur.


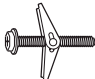


Instructions d'installation

DOMMAGES — EXPÉDITION/ INSTALLATION

- Si l'appareil est endommagé durant le transport, retournez-le au magasin où vous l'avez acheté pour réparation ou remplacement.
- Si l'appareil est endommagé par le client, la réparation ou le remplacement reste à la charge du client.
- Si l'appareil est endommagé par l'installateur (s'il s'agit d'une personne différente du client), la réparation ou le remplacement doivent faire l'objet d'une entente entre le client et l'installateur.

PIÈCES COMPRISES

SACHET DE QUINCAILLERIE



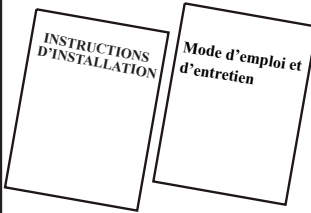
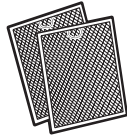
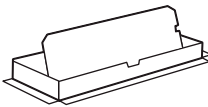



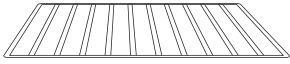

PIÈCE	QUANTITÉ
 Vis à bois (1/4 x 2 po)	2
 Boulons à ailettes (et écrous à oreilles) (3/16 x 3 po)	2
 Vis à métaux à auto-alignement (1/4 po - 28 x 3-1/4 po)	3
 Passe-fil en nylon (pour armoires en métal)	1

Vous trouverez les pièces de quincaillerie dans un sachet fourni avec l'appareil. Vérifiez que vous avez reçu toutes ces pièces.

REMARQUE: Des pièces supplémentaires sont incluses.

PIÈCES COMPRISES (SUITE)

SACHET DE QUINCAILLERIE

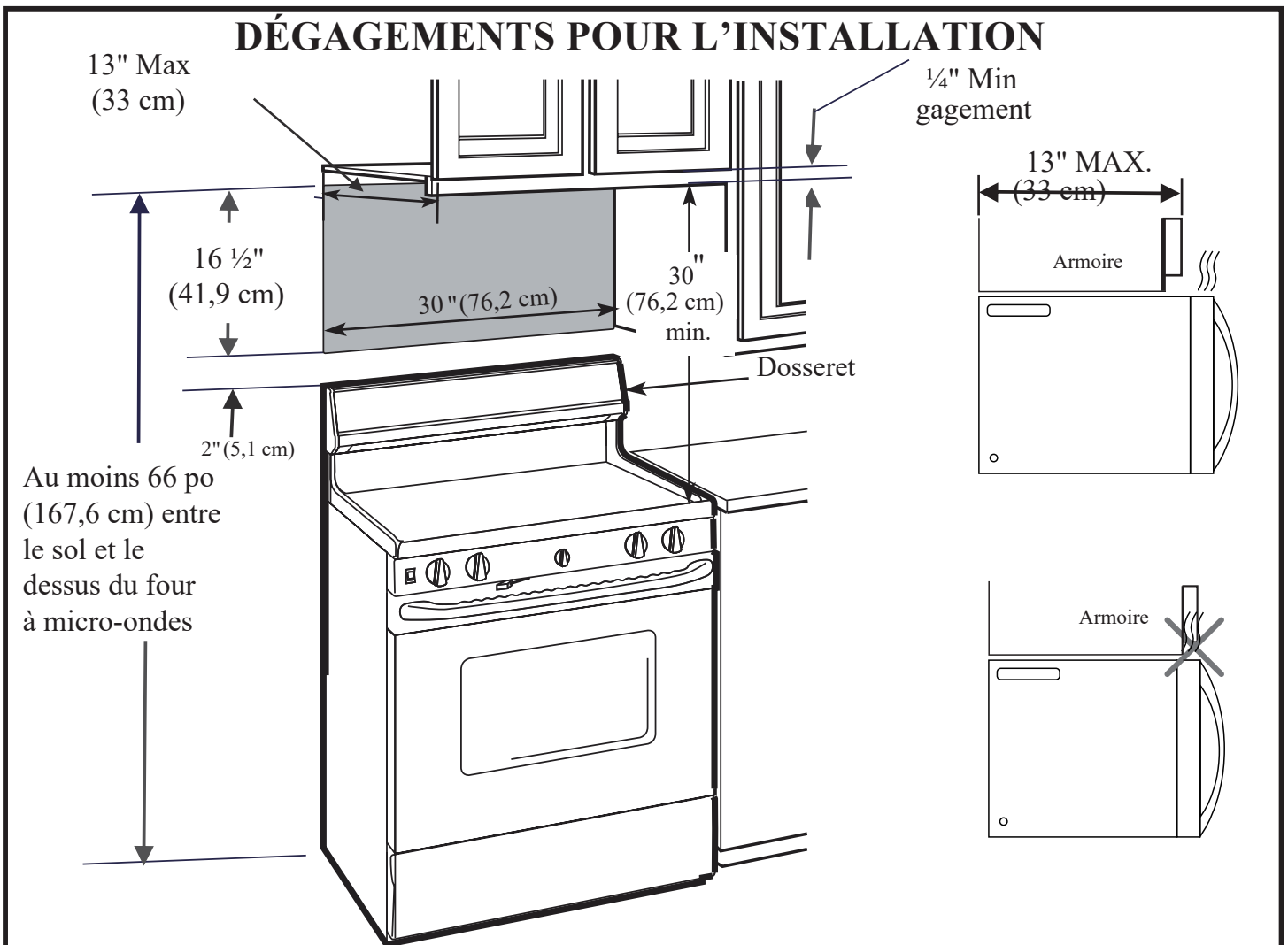
PIÈCE	QUANTITÉ
	Gabarit pour armoire supérieure 1
	Gabarit pour mur arrière combiné 1
	Instructions d'installation 1
	Mode d'emploi et d'entretien 1
	Filtres à graisses emballés séparément 2
	Adaptateur de conduit d'évacuation 1
	Plateau en verre 1
	Anneau de plateau tournant 1
Pour certains modèles 	Trépied métallique de convection 1
Pour certains modèles 	Etagère 1
	Filtre à charbon 1

Instructions d'installation

OUTILS NÉCESSAIRES

- Mètre
- scie trépan
- Trouveur de goujons ou marteau
- Niveau
- Ruban adhésif et de masquage
- Ciseaux
- n #1 tournevis cruciforme
- Perceuse électrique
- Foret 3/16", 1/2", 5/8"
- Blocs de bois de remplissage pour armoires à fond encastré
- Cisailles

DÉGAGEMENTS POUR L'INSTALLATION



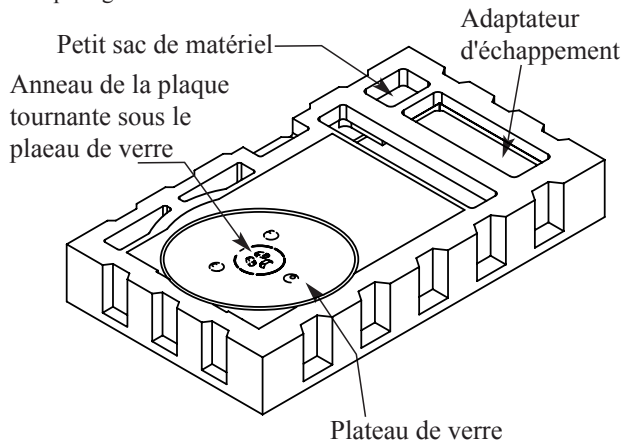
- Il faut un espace d au moins 30 po (76,2 cm) entre les armoires, sans obstructions.
- Si l'évacuation de l'air de votre four à micro-ondes s'effectue vers l'extérieur, consultez la section « Évacuation de la hotte pour la préparation du conduit d'évacuation ».
- Lorsque vous installez le four à micro-ondes sous des armoires dont le fond est lisse et plat, suivez attentivement les instructions du gabarit pour armoire supérieure concernant le dégagement du cordon d'alimentation.
- Comme un guide d'installation, voir page 26 pour l'information de gabarit montage.
- Si la profondeur du armoire incluant les portes du armoire est plus de 13 po alors l'unité doit être espacée du mur utilisant des matériaux adéquats supportant 150 lbs pour permettre une bonne ventilation d'air au sommet/admission d'air.

Instructions d'installation

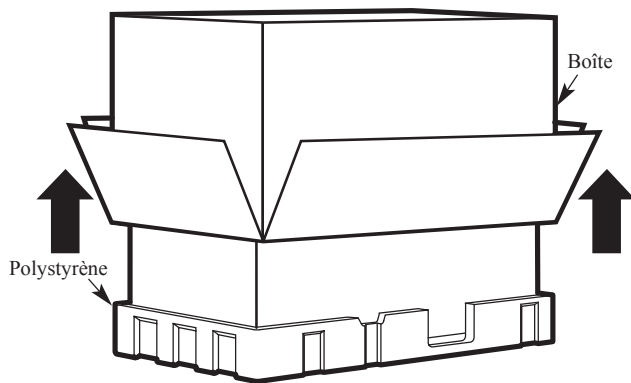
1 INSTALLATION DE LA PLAQUE DE MONTAGE

A. ENLEVER LE FOUR À MICRO-ONDES DU CARTON/ENLEVER LE PLATEAU DE MONTAGE

- 1 Enlevez les instructions de l'installation, utilisez et prenez soin, adaptateur d'échappement, anneau de la plaque tournante, rayon, filtres, plateau de verre et le petit sac de matériel. N'enlevez pas le polystyrène protégeant l'avant du four.

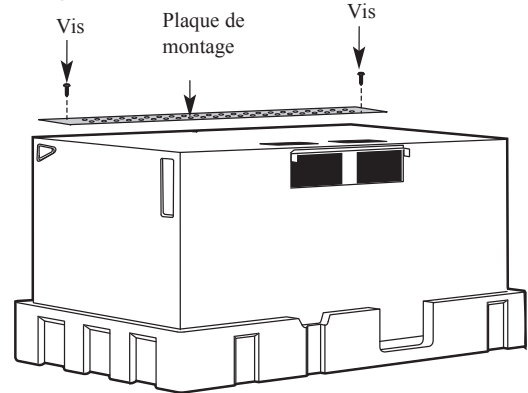


- 2 Repliez complètement les quatre rabats contre les côtés de la boîte. Ensuite, retournez le four et la boîte avec précaution. Le four devrait reposer sur le polystyrène.



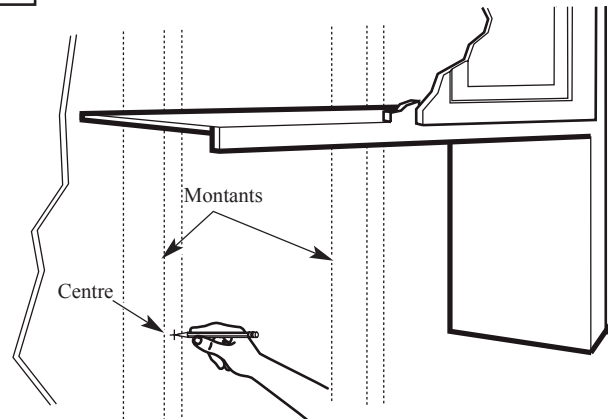
- 3 Tirez la boîte vers le haut pour dégager le four.

- 4 Coupez le centre du sac en plastique pour retirer la plaque de montage



- 5 Enlevez les vis de la plaque de montage. Cette plaque sera utilisée comme gabarit pour le mur arrière et pour le montage. Remettez en place les vis retirées préalablement.

B. LOCALISATION DES MONTANTS



- 1 Localisez les montants en utilisant une des méthodes suivantes :

- A. Localisateur de montant – dispositif magnétique permettant de localiser les clous.
- B. Utilisez un marteau pour frapper légèrement sur la surface de montage jusqu'à ce que vous n'entendiez plus un son creux. Cela signifie que vous avez trouvé un montant.

- 2 Après avoir localisé le(s) montant(s), trouvez-en le centre en sondant le mur à l'aide d'un petit clou afin de trouver les rebords du montant. Puis faites une marque à mi-chemin entre les deux bords. Le centre de tout montant adjacent doit se trouver à 16 po (40,6 cm) ou 24 po (61 cm) de cette marque.

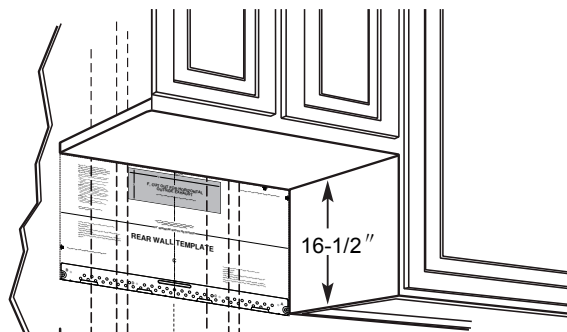
- 3 Tracez une ligne verticale marquant le milieu des montants.

LE FOUR À MICRO-ONDES DOIT ÊTRE FIXÉ À AU MOINS UN MONTANT DU MUR.

Instructions d'installation

C. ÉTABLISSEMENT DE L'EMPLACEMENT DE LA PLAQUE MURALE SOUS VOTRE ARMOIRE

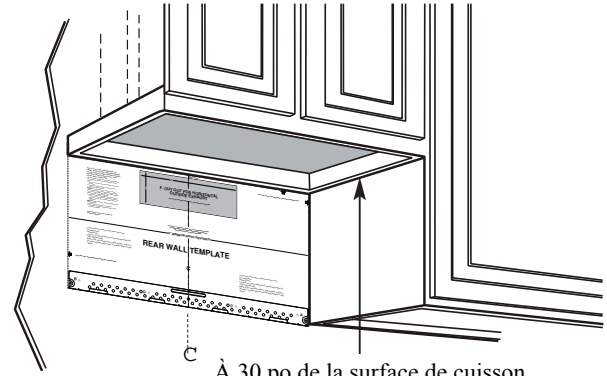
Emplacement de la plaque - sous une armoire à fond plat



Au moins 30 po

Tracez une ligne verticale sur le mur au centre de l'espace de 30 po de large.
Tape gabarit pour mur arrière sur le mur correspondant à la ligne médiane et en touchant le bas de l'armoire.

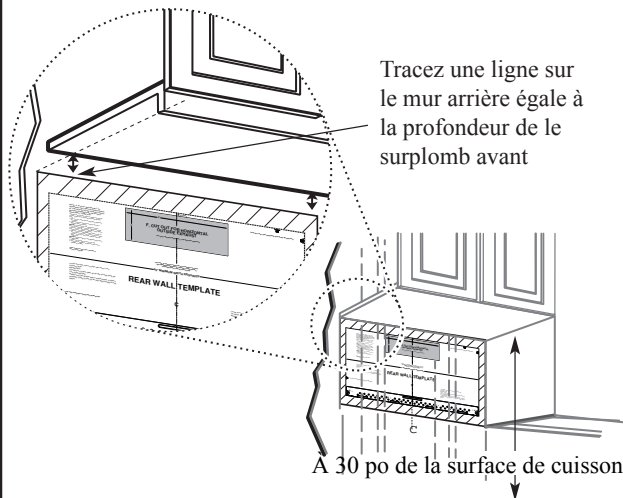
Emplacement de la plaque - sous une armoire dotée d'un rebord



À 30 po de la surface de cuisson

Tracez une ligne verticale sur le mur au centre de l'espace de 30 po de large.
Tape gabarit pour mur arrière sur le mur correspondant à la ligne médiane et en touchant le cadre bas de l'armoire.

Emplacement de la plaque - sous une



Tracez une ligne sur le mur arrière égale à la profondeur de le surplomb avant

À 30 po de la surface de cuisson

Vos armoires peuvent être dotées de garnitures décoratives qui entravent l'installation du micro-ondes. Enlevez l'élément décoratif pour installer convenablement le four à micro-ondes et pour vous assurer qu'il est de niveau.

LE FOUR À MICRO-ONDES DOIT ÊTRE DE NIVEAU.

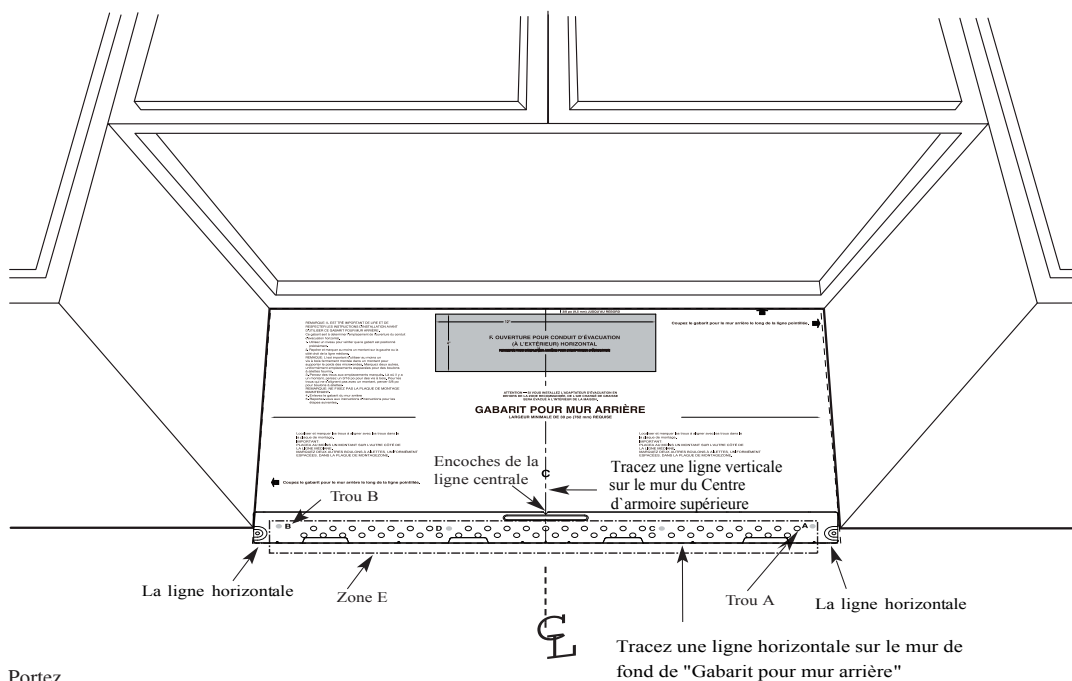
Utilisez un niveau pour vous assurer que le fond de l'armoire est de niveau.

Si les armoires sont dotées uniquement d'un rebord avant, sans rebord sur les côtés ou à l'arrière, installez la plaque de montage plus bas, à la même distance que le rebord avant de l'armoire. Ainsi, le four sera de niveau.

- 1 Mesurez la hauteur intérieure du rebord avant de l'armoire.
- 2 Tracez une ligne horizontale sous le fond de l'armoire, sur le mur arrière à une distance équivalente à la longueur intérieure du rebord avant de l'armoire.
- 3 Pour l'installation sous une armoire dotée d'un rebord avant uniquement, alignez les languettes de montage sur cette ligne horizontale, sans qu'elles touchent le fond de l'armoire, tel que décrit à l'étape D.

Instructions d'installation

D. ALIGNEMENT DE LA PLAQUE MURALE



Instructions d'installation

2 TYPES D'INSTALLATION (Choisissez A, B ou C)

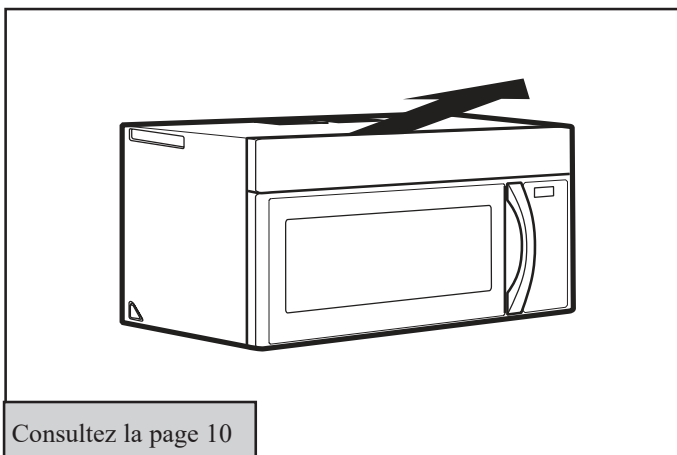
Ce four à micro-ondes est conçu pour s'adapter aux trois types d'évacuation suivants :

- A. Évacuation à l'extérieur par le dessus (conduit vertical)
- B. Évacuation à l'extérieur par l'arrière (conduit horizontal)
- C. Recyclage (sans conduit)

REMARQUE: Ce four à micro-ondes est équipé à l'usine en vue d'une Recyclage .

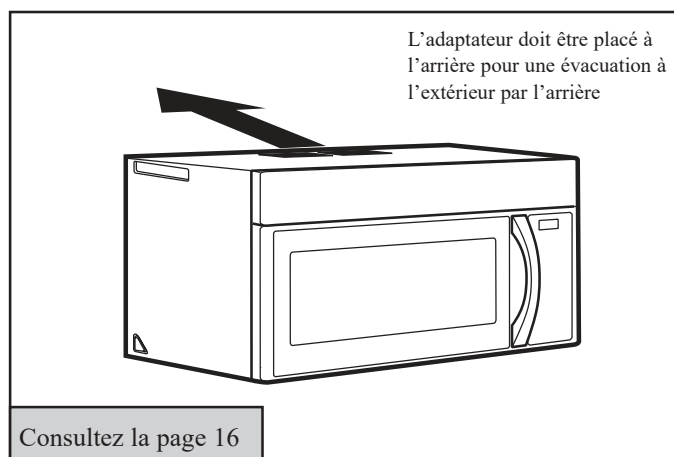
Choisissez le type d'évacuation approprié à votre installation et rendez-vous à cette section.

A RECYCLAGE D'AIR (ÉVACUATION SANS CONDUIT)

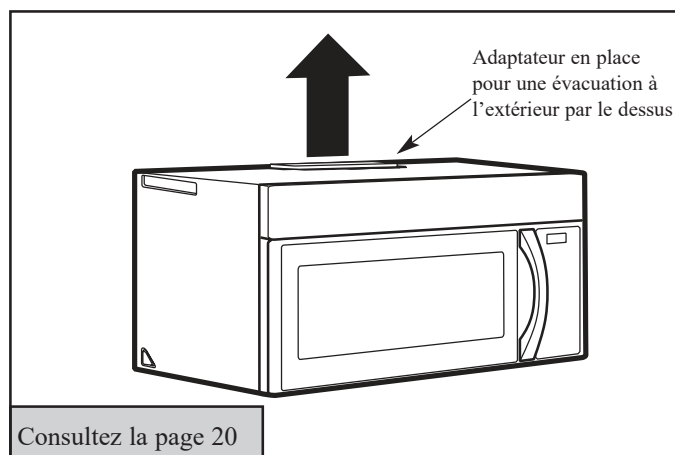


Sur les modèles conçus pour le recyclage d'air, un filtre à charbon jetable est installé en usine pour retenir la fumée et les odeurs.

B ÉVACUATION À L'EXTÉRIEUR PAR L'ARRIÈRE (CONDUIT HORIZONTAL)



C ÉVACUATION À L'EXTÉRIEUR PAR LE DESSUS (CONDUIT VERTICAL)



REMARQUE: Ne lisez les pages 14- 15 suivantes que si vous décidez d'évacuer l'air du ventilateur à l'extérieur. Si vous décidez de recycler l'air dans la pièce, rendez-vous à la page 10.

Instructions d'installation

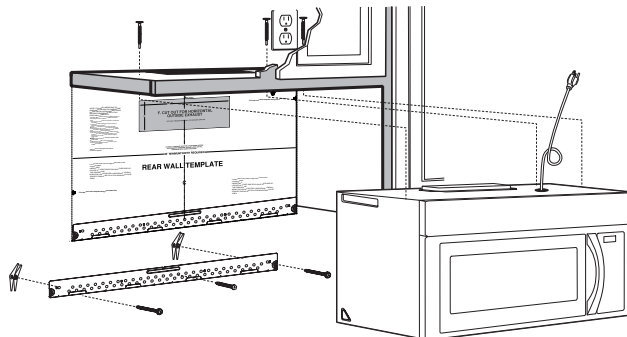
A RECYCLAGE D'AIR (évacuation sans conduit)

VUE D'ENSEMBLE DE L'INSTALLATION

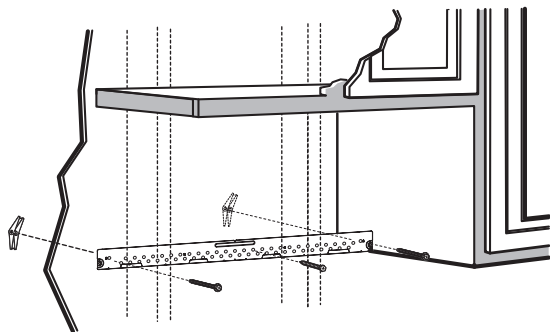
- C1. Fixation de la plaque de montage au mur
- C2. Préparation de l'armoire supérieure
- C3. Vérification de l' plaque du ventilateur
- C4. Installation du four à micro-ondes
- C5. Installation ou changement du filtre à charbon

REMARQUES IMPORTANTES :

- Assurez-vous que les vis du moteur du ventilateur et de la plaque du ventilateur sont solidement vissées lorsque vous les remettez en place. Cela évitera les vibrations excessives.
- Assurez-vous que les fils du moteur sont bien acheminés, fixés et qu'ils ne sont pas coincés.



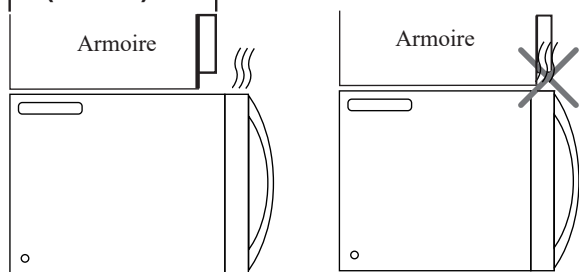
A1. FIXATION DE LA PLAQUE DE MONTAGE AU MUR



Fixez la plaque au mur à l'aide des boulons à ailettes. Vous devez utiliser au moins une vis à bois pour fixer la plaque à un montant.

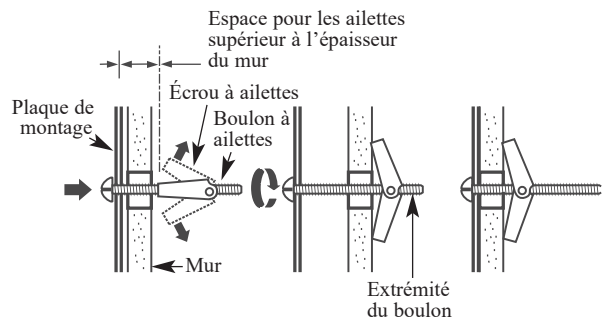
REMARQUE: Si la profondeur du armoire incluant les portes du armoire est plus de 13" alors l'unité doit être espacée du mur utilisant des matériaux adéquats supportant 150 lbs pour permettre une bonne ventilation d'air au sommet/admission d'air.

13" MAX.
(33 cm)



- 1 Enlevez les écrous à ailettes des boulons.
- 2 Insérez les boulons dans la plaque de montage à travers les trous dans le gypse et réassemblez les écrous à ailettes, à 3/4 po (19 mm) sur chaque boulon.

Pour utiliser les boulons à ailettes :



- 3 Placez la plaque de montage contre le mur et insérez les écrous à ailettes dans les trous du mur pour fixer la plaque.

REMARQUE: Avant de resserrer les boulons à ailettes et la vis à bois, assurez-vous que la plaque est bien centrée sous l'armoire et que les languettes de la plaque de montage touchent le dessous de l'armoire lorsque vous poussez la plaque contre le mur.

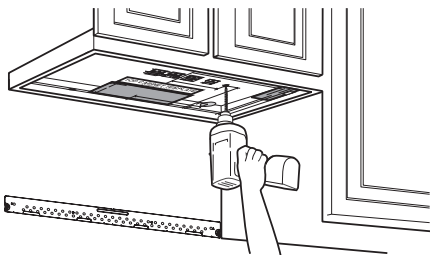
ATTENTION: Faites attention de ne pas vous pincer les doigts entre l'arrière de la plaque de montage et le mur.

- 4 Serrez tous les boulons. Tirez sur la plaque pour faciliter le serrage des boulons.

Instructions d'installation

A2. UTILISATION DU GABARIT POUR ARMOIRE SUPÉRIEURE POUR LA PRÉPARATION DE L'ARMOIRE SUPÉRIEURE

Vous devez percer des trous pour les vis de soutien supérieures, ainsi qu'un trou suffisamment grand pour y faire passer le cordon d'alimentation.



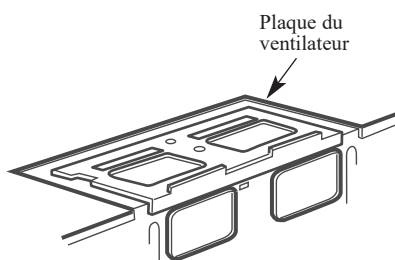
- Lisez les instructions sur le GABARIT POUR ARMOIRE SUPÉRIEURE.
- Collez-le sous l'armoire supérieure à l'aide de ruban adhésif.

REMARQUE: Ajustez correctement le haut du gabarit si le micro-ondes devient espacé du mur à cause de la profondeur de l'armoire (incluant les portes de l'armoire) de plus de 13".

- Percez les trous, en suivant les instructions du GABARIT POUR ARMOIRE SUPÉRIEURE.

ATTENTION : Portez des lunettes de sécurité lorsque vous percez des trous dans le fond de l'armoire.

A3. VÉRIFICATION DE L'PLAQUE DU VENTILATEUR



- Placez le four à micro-ondes en position debout, le dessus de l'appareil sur le dessus.
- Inspectez pour affirmer le ventilateur metal est installé dans la cavité.

A4. INSTALLATION DU FOUR À MICRO-ONDES



POUR VOTRE SÉCURITÉ ET POUR FACILITER L'INSTALLATION, L'INSTALLATION DE CE FOUR DOIT ÊTRE EFFECTUÉE PAR DEUX PERSONNES.

IMPORTANT: Ne pas saisir ou utiliser la poignée ou l'écran thermique durant l'installation. Ne pas retirer les entretoises en carton entre l'écran thermique et la porte.

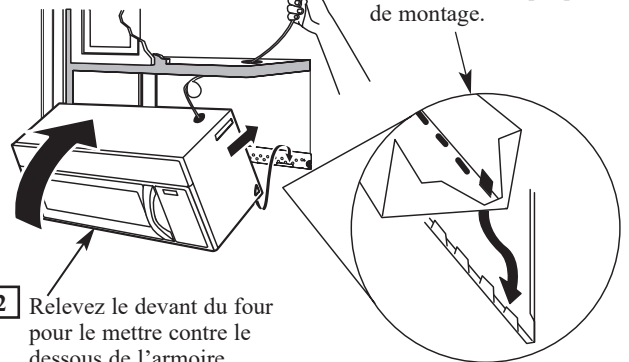
REMARQUE: Si vos armoires sont en métal, installez un passe-fil en nylon autour de l'orifice du cordon d'alimentation pour empêcher que le cordon soit coupé.

REMARQUE: Si le four est installé sous une armoire dotée d'un rebord avant, nous vous recommandons d'utiliser des entretoises.

IMPORTANT: Si vous n'utilisez pas d'entretoises, des dommages peuvent être causés au boîtier au moment de resserrer les vis.

REMARQUE: Lors de l'installation du four à micro-ondes, faites passer le cordon d'alimentation à travers le trou situé dans le fond de l'armoire supérieure. Gardez-le bien serré durant les étapes 1 à 3. Ne coinciez pas le cordon ou ne soulevez pas le four en tirant sur le cordon.

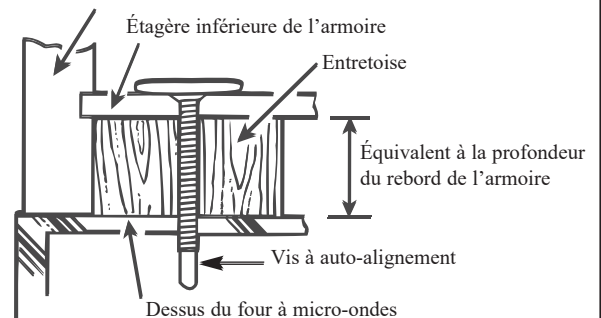
- 1** Soulevez le four à micro-ondes, penchez-le vers l'avant et accrochez les fentes du bord inférieur de l'arrière du four sur les quatre languettes inférieures de la plaque de montage.



- 2** Relevez le devant du four pour le mettre contre le dessous de l'armoire.

- 3** Insérez une vis à auto-alignement dans le trou situé au centre de l'armoire supérieure. Fixez temporairement le four en faisant faire au moins **deux tours complets** à la vis après que les filets aient été engagés. (Elle sera complètement resserrée plus tard.) **Assurez-vous que le cordon d'alimentation est bien serré. Faites attention de ne pas le coincer, particulièrement au moment d'installer le four sous l'armoire.**

Avant de l'armoire

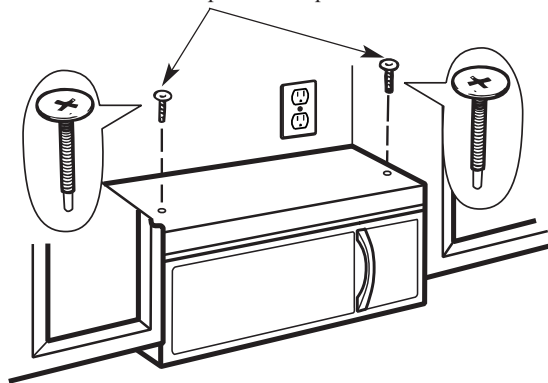


- 4** Fixez le four à micro-ondes à l'armoire supérieure.

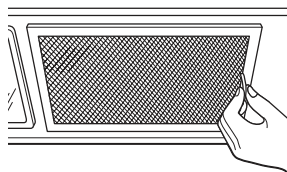
Instructions d'installation

A4. INSTALLATION DU FOUR À MICRO-ONDES (suite)

- 5 Insérez deux vis à auto-alignement à travers les trous de l'armoire supérieure. Faites faire deux tours complets à chaque vis.



- 7 Serrez les deux vis de chaque côté dans le dessus du four à micro-ondes. (Tout en serrant les vis, soulevez l'avant du four à micro-ondes et poussez-le contre le mur et l'armoire supérieure.)



- 8 Installez les filtres. Consultez le Manuel de l'utilisateur emballé avec le four.

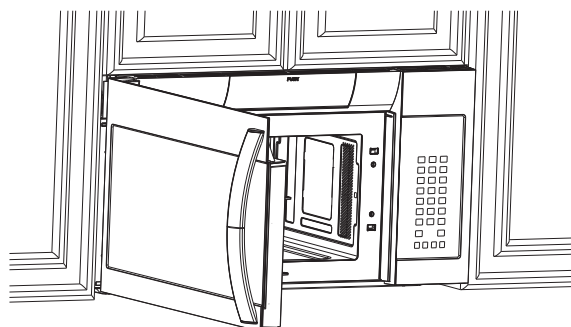
A5. INSTALLATION OU CHANGEMENT DU FILTRE À CHARBON (Certains modèles)

REMARQUE: Le filtre à charbon de bois est installé d'usine dans certains modèles. Reférez-vous à l'utilisation et soin pour voir si le vôtre est installé d'usine et pour l'information de remplacement.

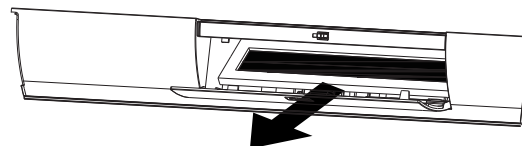
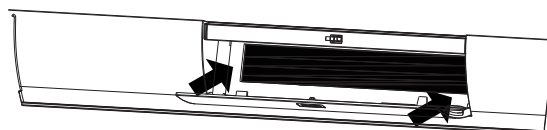
Pour le modèle sans la porte d'accès au filtre de recirculation, suivez ces étapes pour remplacer ou installer un filtre à charbon de bois.

- A 5.1 Débranchez le four à micro-ondes ou déconnectez l'alimentation.

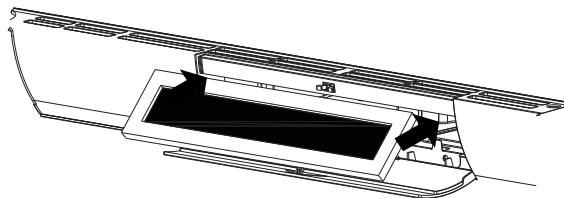
- A 5.2 Ouvrez la porte du micro-ondes et appuyez sur la position "PUSH" sur l'évent, puis ouvrez le couvercle.



- A 5.3 Déballez le filtre à charbon en poussant le haut du filtre vers l'intérieur, puis retirez-le de l'appareil.



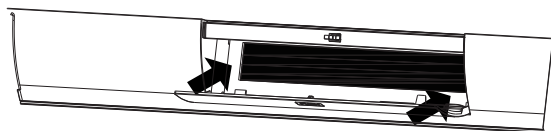
- A 5.4 Glissez le haut du nouveau filtre à charbon dans le haut de la cavité du filtre.



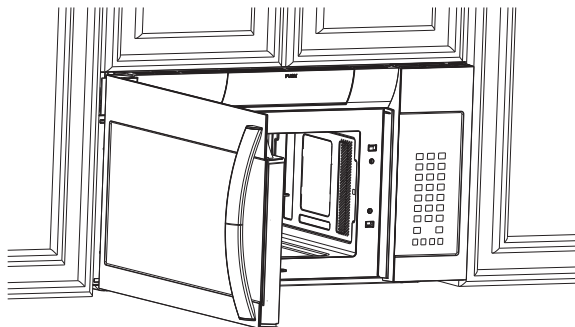
Instructions d'installation

A5. INSTALLATION OU CHANGEMENT DU FILTRE À CHARBON (suite)

A 5.5 Appuyez sur le fond du filtre à charbon pour le placer dans la position correcte.



A 5.6 Fermez ensuite le couvercle de l'évent.



A 5.7 Fermez la porte du micro-ondes. Branchez le four à micro-ondes ou reconnectez l'alimentation.

Instructions d'installation

INSTRUCTIONS POUR L'INSTALLATION EXTERIEURE DE CODUITS D'ECHAPPEMENT.

REMARQUE : Si vous devez installer des conduits, notez que la longueur totale du conduit rectangulaire de 3-1/4 po x 10 po (8,2 x 25,4 cm) ou du conduit rond de 5 po (12,7cm)/6 po (15,2 cm) de diamètre **ne doit pas être supérieure à 140 pi (42,7m) de longueur équivalente.**

L'évacuation vers l'extérieur requiert un CONDUIT D'ÉVACUATION POUR HOTTE. Lisez attentivement ce qui suit.

REMARQUE: Il est important que l'évacuation soit installée en utilisant le chemin le plus direct et avec le moins de coudes possible. Cela assure une bonne évacuation et aide à prévenir les blocages. **Assurez-vous également que les registres bougent librement et que rien ne bloque les conduits.**

Connexion d'échappement:


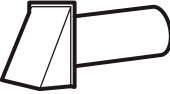


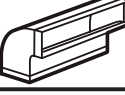
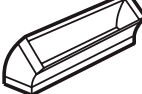


L'adaptateur d'échappement a été conçu pour s'accoupler avec une canalisation rectangulaire standard de 3 1/4 x 10 po (8,2 x 25,4 cm). Si une canalisation ronde est requise, un adaptateur de transition rectangulaire-rond doit être utilisé. **Une canalisation de diamètre 5 po (12,7cm) / 6 po (15,2cm) est acceptable à utiliser.**

Longueur maximale du conduit:

Pour une circulation d'air satisfaisante, la longueur totale du conduit rectangulaire de 3-1/4 x 10 po (8,2 x 25,4 cm) ou du conduit rond de 5 po (12,7cm) / 6 po (15,2 cm) de diamètre **ne doit pas excéder une longueur équivalente à 140 pi (42,7m)**

Les coudes, adaptateurs de transition, événements muraux ou de toiture, etc.

offrent une résistance supplémentaire à la circulation de l'air et sont équivalents à une section de conduit droit plus longue que leur dimension réelle. Lorsque vous calculez la longueur totale du conduit, ajoutez les longueurs équivalentes de tous les adaptateurs de transition et des coudes, ainsi que la longueur de toutes les sections de conduit droit. Vous trouverez dans le tableau ci-dessous la longueur équivalente approximative en pieds et en mètres de certains types de conduits.

PIÈCES DE CONDUIT		LONGUEUR ÉQUIVALENTE	x	NOMBRE UTILISÉ	=	LONGUEUR ÉQUIVALENTE
	Adaptateur de transition*	5 pi (1,5 m)	x	()	=	pi ou m
	Évent mural	40 pi (12,2 m)	x	()	=	pi ou m
	Coude de 90°	10 pi (3 m)	x	()	=	pi ou m
	Coude de 45°	5 pi (1,5 m)	x	()	=	pi ou m
	Coude de 90°	25 pi (7,6 m)	x	()	=	pi ou m
	Coude de 45°	5 pi (1,5 m)	x	()	=	pi ou m
	Évent de toiture	24 pi (7,3 m)	x	()	=	pi ou m
	Conduit droit rond de 6 po (15,2 cm) ou rectangulaire de 3-1/4 x 10 po (8,2 x 25,4 cm)	1 pi (0,3 m)	x	()	=	pi ou m
Longueur totale					=	pi ou m



* **IMPORTANT:** Si vous utilisez un adaptateur de transition, il faudra couper les coins inférieurs du registre aux dimensions de l'adaptateur à l'aide de cisailles pour que le registre puisse bouger.

Les longueurs équivalentes des pièces de conduits sont basées sur des essais réels et représentent les longueurs nécessaires à une bonne ventilation pour n'importe quelle hotte.




Instructions d'installation

CANALISATION D'ÉCHAPPEMENT EXTERNE

ÉVACUATION À L'EXTÉRIEUR PAR LE DESSUS (EXEMPLE SEULEMENT)

Le tableau suivant décrit un exemple d'installation de conduit.

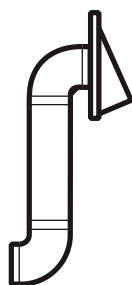





PIÈCES DE CONDUIT		LONGUEUR ÉQUIVALENTE	x	NOMBRE UTILISÉ	=	LONGUEUR ÉQUIVALENTE
	Évent de toiture	24 pi (7,3 m)	x	(1)	=	24 pi (7,3 m)
	Conduit droit de 12 pi (3,6 m) (rond de 6 po/15,2 cm)	12 pi (3,6 m)	x	(1)	=	12 pi (3,6 m)
	Adaptateur de transition*	5 pi (1,5 m)	x	(1)	=	5 pi (1,5 m)
Les longueurs équivalentes des pièces de conduits sont basées sur des essais réels et représentent les longueurs nécessaires à une bonne ventilation pour n'importe quelle hotte.					Longueur totale =	41 pi (12,5 m)

* **IMPORTANT:** Si vous utilisez un adaptateur de transition, il faudra couper les coins inférieurs du registre aux dimensions de l'adaptateur à l'aide de cisailles pour que le registre puisse bouger.

ÉVACUATION À L'EXTÉRIEUR PAR L'ARRIÈRE (EXEMPLE SEULEMENT)

Le tableau suivant décrit un exemple d'installation de conduit.



PIÈCES DE CONDUIT		LONGUEUR ÉQUIVALENTE	x	NOMBRE UTILISÉ	=	LONGUEUR ÉQUIVALENTE
	Évent mural	40 pi (12,2 m)	x	(1)	=	40 pi (12,2 m)
	Conduit droit de 3 pi (0,91 m) (rectangulaire 1/4 x 10 po/ 8,2 x 25,4 cm)	3 pi (0,9 m)	x	(1)	=	3 pi (0,9 m)
	Coude de 90°	10 pi (3 m)	x	(2)	=	20 pi (6 m)
Les longueurs équivalentes des pièces de conduits sont basées sur des essais réels et représentent les longueurs nécessaires à une bonne ventilation pour n'importe quelle hotte.					Longueur totale =	63 pi (19,2 m)

REMARQUE : Dans le cas d'une évacuation par l'arrière, veillez à aligner le conduit d'évacuation sur les espaces entre les montants, ou à préparer le mur au moment de la construction en laissant assez d'espace entre les montants pour recevoir le conduit.

Instructions d'installation

B ÉVACUATION À L'EXTÉRIEUR PAR L'ARRIÈRE

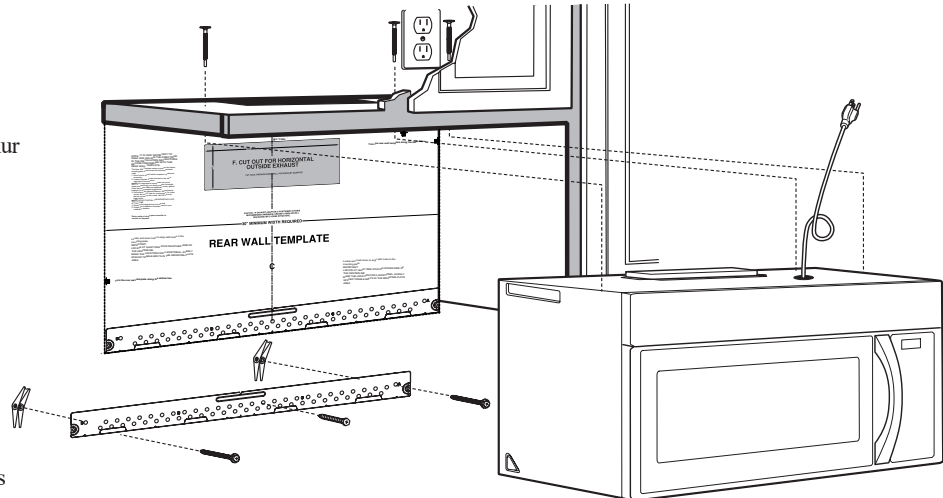
(Conduit horizontal)

VUE D'ENSEMBLE DE L'INSTALLATION

- B1. Préparation du mur arrière
- B2. Enlèvement de la plaque du ventilateur
- B3. Fixation de la plaque de montage au mur
- B4. Préparation de l'armoire supérieure
- B5. Ajustement du ventilateur
- B6. Installation du four à micro-ondes

REMARQUES IMPORTANTES :

- Assurez-vous que les vis du moteur du ventilateur et de la plaque du ventilateur sont solidement vissées lorsque vous les remettez en place. Cela évitera les vibrations excessives.
- Assurez-vous que les fils du moteur sont bien acheminés, fixés et qu'ils ne sont pas coincés.



B1. PRÉPARATION DU MUR ARRIÈRE POUR L'ÉVACUATION À L'EXTÉRIEUR PAR L'ARRIÈRE

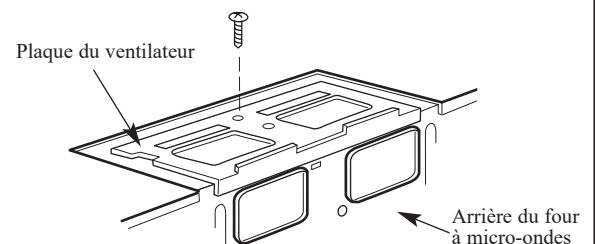
Vous devez percer une ouverture dans le mur arrière pour l'évacuation à l'extérieur.



- Lisez les instructions figurant sur le GABARIT POUR MUR ARRIÈRE.
- Collez-le au mur arrière.
- Percez l'ouverture en suivant les instructions sur le GABARIT POUR MUR ARRIÈRE.

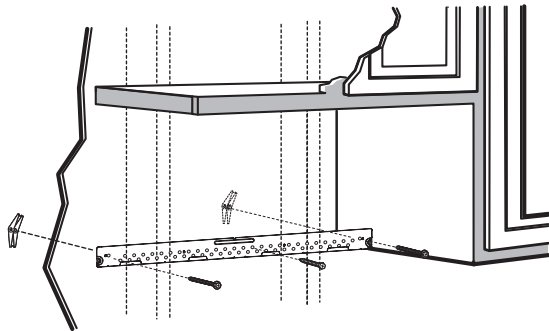
B2. ENLÈVEMENT DE LA PLAQUE DU VENTILATEUR

Enlevez et conservez la vis qui retient la plaque du ventilateur au four à micro-ondes. Soulevez la plaque du ventilateur.



Instructions d'installation

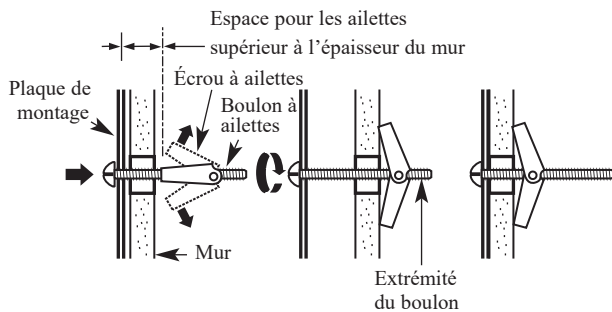
B3. FIXATION DE LA PLAQUE DE MONTAGE AU MUR



Fixez la plaque au mur à l'aide des boulons à ailettes. Vous devez utiliser au moins une vis à bois pour fixer la plaque à un montant.

- 1 Enlevez les écrous à ailettes des boulons.
- 2 Insérez les boulons dans la plaque de montage à travers les trous dans le gypse et réassemblez les écrous à ailettes, à 3/4 po (19 mm) sur chaque boulon.

Pour utiliser les boulons à ailettes :



- 3 Placez la plaque de montage contre le mur et insérez les écrous à ailettes dans les trous du mur pour fixer la plaque.

REMARQUE: Avant de resserrer les boulons à ailettes et la vis à bois, assurez-vous que la plaque est bien centrée sous l'armoire et que les languettes de la plaque de montage touchent le dessous de l'armoire lorsque vous poussez la plaque contre le mur.

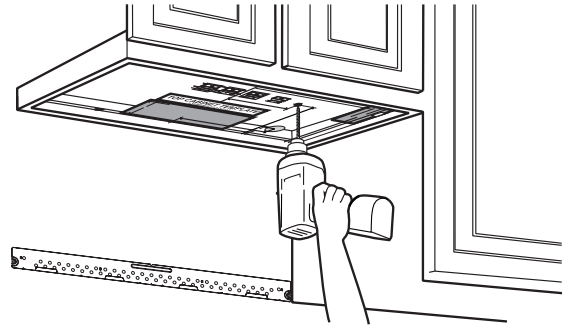
ATTENTION: Faites attention de ne pas vous pincer les doigts entre l'arrière de la plaque de montage et le mur.

- 4 Serrez tous les boulons. Tirez sur la plaque pour faciliter le serrage des boulons.

B4. UTILISATION DU GABARIT POUR ARMOIRE SUPÉRIEURE POUR LA PRÉPARATION DE L'ARMOIRE SUPÉRIEURE

Vous devez percer des trous pour les vis de soutien supérieures, ainsi qu'un trou suffisamment grand pour y faire passer le cordon d'alimentation.

Vous devez percer des trous pour les vis de soutien supérieures, ainsi qu'un trou suffisamment grand pour y faire passer le cordon d'alimentation.

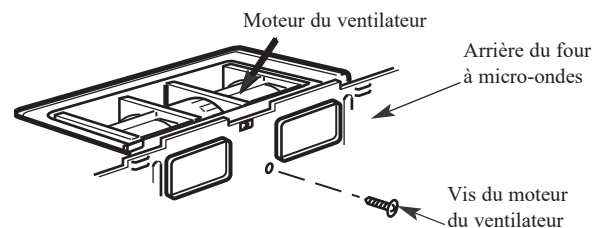


- Lisez les instructions sur le GABARIT POUR ARMOIRE SUPÉRIEURE.
- Collez-le sous l'armoire supérieure à l'aide de ruban adhésif.
- Percez les trous, en suivant les directives du GABARIT POUR ARMOIRE SUPÉRIEURE.

ATTENTION: Portez des lunettes de sécurité lorsque vous percez des trous dans le fond de l'armoire.

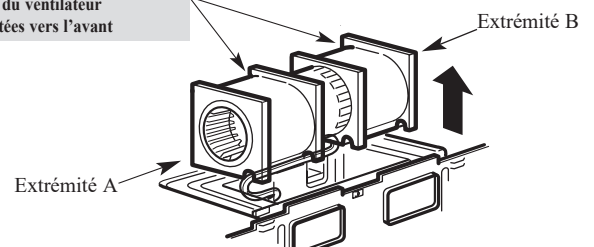
B5. ADAPTATION DU VENTILATEUR DU FOUR À MICRO-ONDES POUR L'ÉVACUATION À L'EXTÉRIEUR PAR L'ARRIÈRE

- 1 Enlevez et conservez la vis qui retient le moteur du ventilateur au four à micro-ondes.

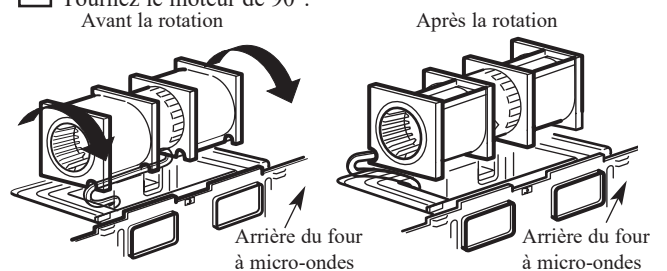


- 2 Enlevez délicatement l'ensemble du ventilateur. Les fils seront assez longs pour vous permettre d'ajuster la position du ventilateur.

AVANT : Ouvertures des pales du ventilateur orientées vers l'avant



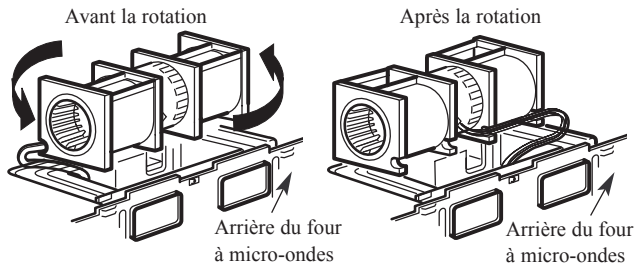
- 3 Tournez le moteur de 90°. Avant la rotation



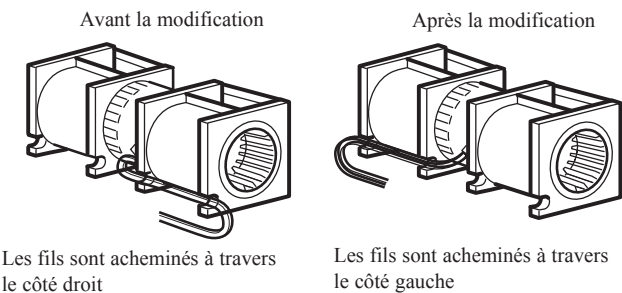
Instructions d'installation

B5. ADAPTATION DU VENTILATEUR DU FOUR À MICRO-ONDES POUR L'ÉVACUATION À L'EXTÉRIEUR PAR L'ARRIÈRE (suite)

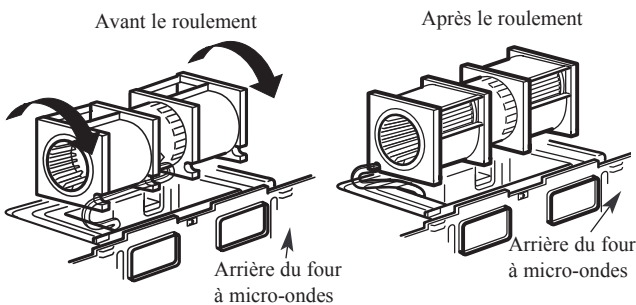
- 4 Retournez l'ensemble du ventilateur dans le sens contraire des aiguilles d'une montre, sur 180°.



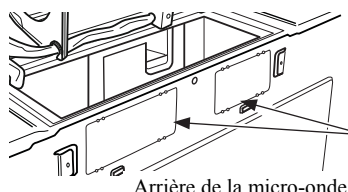
- 5 Enlevez délicatement les fils des encoches. Replacez les fils dans les encoches de l'autre côté de l'ensemble du ventilateur.



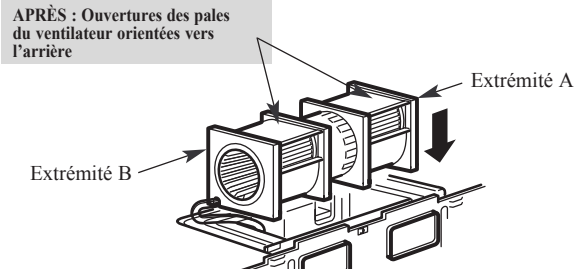
- 6 Tournez le moteur de 90° afin que les ouvertures des pales du ventilateur soient orientées vers l'arrière du four à micro-ondes.



- 7 Retirez les plaques d'enfoncement à l'arrière de l'appareil par le biais de ciseaux (à tôle). (Pour certains modèles) Plaques d'enfoncement : découpez les 4 toiles situées sur chaque panneau d'enfoncement et retirez les débouchures métalliques pour une aération provenant de l'arrière. Veuillez vous assurer de vous débarrasser de tous les bords tranchants, qui auraient été créés en enlevant les plaques d'enfoncement

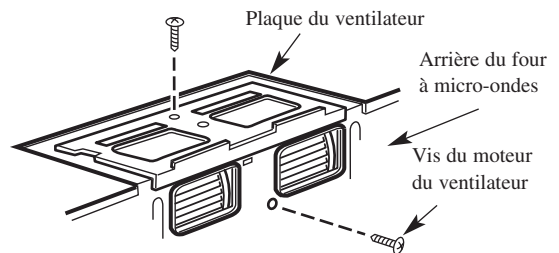


- 8 Remplacez l'ensemble du ventilateur dans l'ouverture.



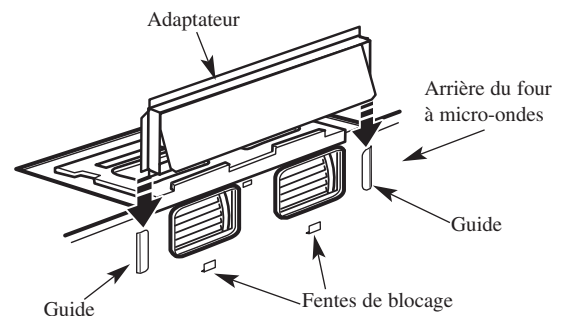
ATTENTION : Ne tirez pas sur les fils de l'ensemble du ventilateur et ne les étirez pas. Assurez-vous que les fils ne sont pas coincés et qu'ils sont fixés solidement.
REMARQUE : Les ouvertures de l'ensemble du ventilateur doivent correspondre aux ouvertures de ventilation à l'arrière du four à micro-ondes.

- 9 Fixez l'ensemble de ventilateur au four à micro-ondes en utilisant la vis d'origine.



- 10 Remplacez la plaque du ventilateur au même endroit qu'avant avec la vis. Assurez-vous que la vis est bien serrée.

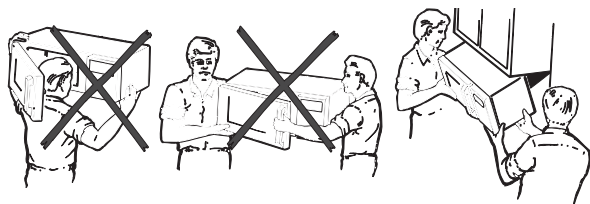
- 11 Fixez l'adaptateur d'évacuation à l'arrière du four en le couissant dans les guides situés au centre, à la partie supérieure arrière du four.



Insérez-le jusqu'à ce qu'il soit dans les fentes de blocage inférieures. Assurez-vous que la charnière du registre est installée sur le dessus et que le registre bouge librement.

Instructions d'installation

B6. INSTALLATION DU FOUR À MICRO-ONDES



POUR VOTRE SÉCURITÉ ET POUR FACILITER L'INSTALLATION, L'INSTALLATION DE CE FOUR DOIT ÊTRE EFFECTUÉE PAR DEUX PERSONNES.

IMPORTANT: Ne pas saisir ou utiliser la poignée ou l'écran thermique durant l'installation. Ne pas retirer les entretoises en carton entre l'écran thermique et la porte.

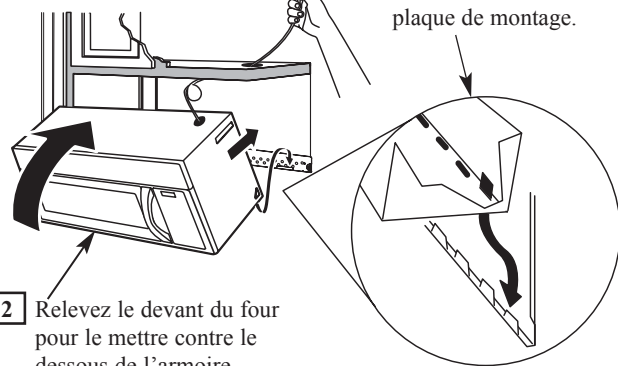
REMARQUE: Si vos armoires sont en métal, installez un passe-fil en nylon autour de l'orifice du cordon d'alimentation pour empêcher que le cordon soit coupé.

REMARQUE: Si le four est installé sous une armoire dotée d'un rebord avant, nous vous recommandons d'utiliser des entretoises.

IMPORTANT: Si vous n'utilisez pas d'entretoises, des dommages peuvent être causés au boîtier au moment de resserrer les vis.

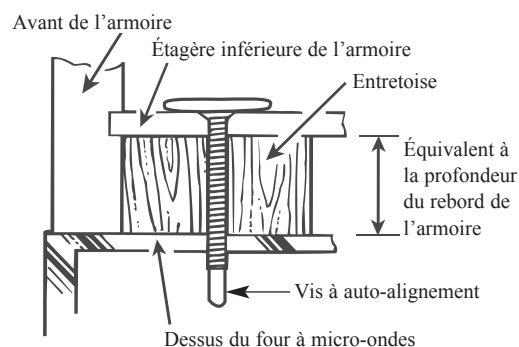
REMARQUE: Lors de l'installation du four à micro-ondes, faites passer le cordon d'alimentation à travers le trou situé dans le fond de l'armoire supérieure. Gardez-le bien serré durant les étapes 1 à 3. Ne coinciez pas le cordon ou ne soulevez pas le four en tirant sur le cordon.

- 1** Soulevez le four, penchez-le vers l'avant et accrochez les fentes situées sur le bord inférieur à l'arrière du four sur les quatre languettes inférieures de la plaque de montage.



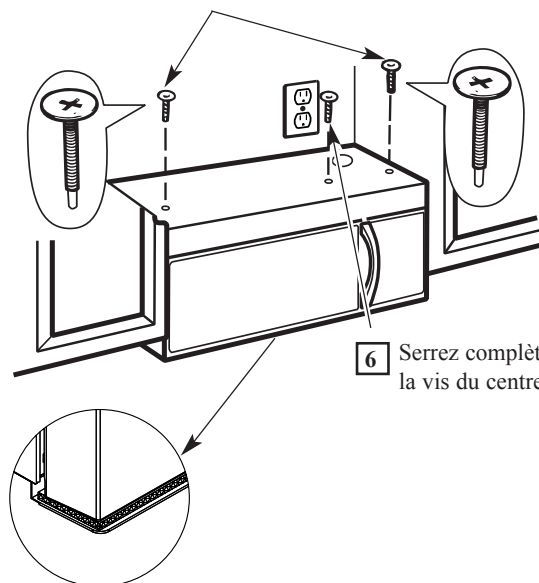
- 2** Relevez le devant du four pour le mettre contre le dessous de l'armoire.

- 3** Insérez une vis à auto-alignement dans le trou situé au centre de l'armoire supérieure. Fixez temporairement le four en faisant faire au moins **deux tours complets** à la vis après que les filets aient été engagés. (Elle sera complètement resserrée plus tard.) **Assurez-vous que le cordon d'alimentation est bien serré. Faites attention de ne pas le coincer, particulièrement au moment d'installer le four sous l'armoire.**



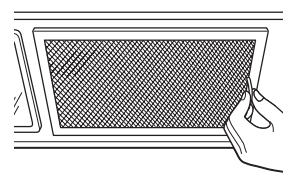
- 4** Fixez le four à micro-ondes à l'armoire supérieure.

- 5** Insérez deux vis à auto-alignement à travers les trous de l'armoire supérieure. Faites faire deux tours complets à chaque vis.



- 6** Serrez complètement la vis du centre.

- 7** Serrez les deux vis de chaque côté dans le dessus du four à micro-ondes. (Tout en serrant les vis, soulevez l'avant du four à micro-ondes et poussez-le contre le mur et l'armoire supérieure.)



- 8** Installez les filtres. Consultez le Manuel de l'utilisateur emballé avec le four.

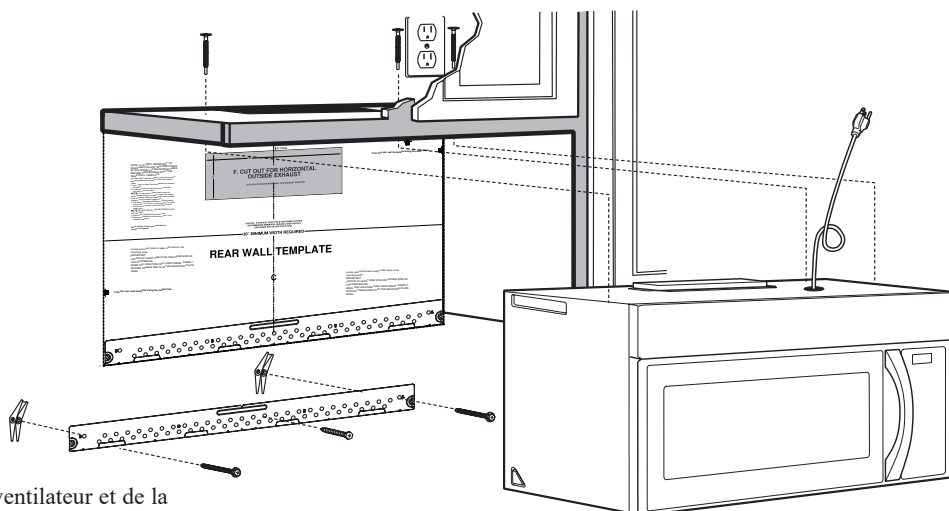
IMPORTANT: Retirer les entretoises en carton entre l'écran thermique et la porte.

Instructions d'installation

C ÉVACUATION À L'EXTÉRIEUR PAR LE DESSUS (Conduit vertical)

VUE D'ENSEMBLE DE L'INSTALLATION

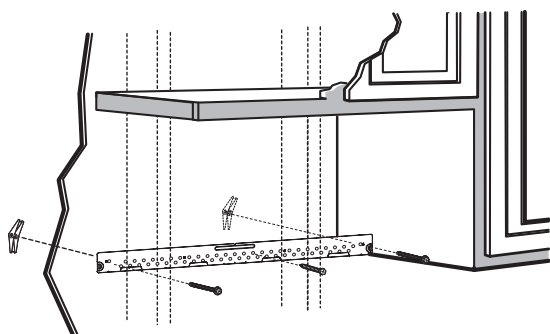
- A1. Fixation de la plaque de montage au mur
- A2. Préparation de l'armoire supérieure
- A3. Ajustement du ventilateur
- A4. Vérification du fonctionnement du registre
- A5. Installation du four à micro-ondes
- A6. Ajustement de l'adaptateur d'évacuation
- A7. Connexion au conduit



REMARQUES IMPORTANTES :

- Assurez-vous que les vis du moteur du ventilateur et de la plaque du ventilateur sont solidement vissées lorsque vous les remettez en place. Cela évitera les vibrations excessives.
- Assurez-vous que les fils du moteur sont bien acheminés, fixés et qu'ils ne sont pas coincés.

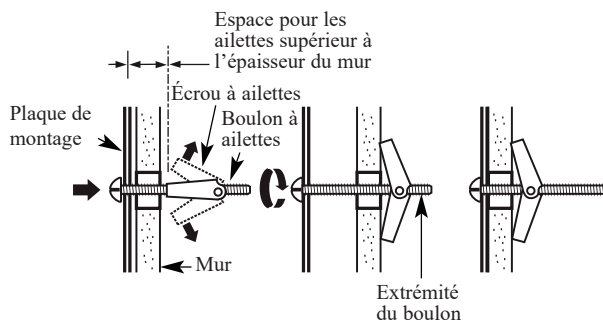
C1. FIXATION DE LA PLAQUE DE MONTAGE AU MUR



Fixez la plaque au mur à l'aide des boulons à ailettes. Vous devez utiliser au moins une vis à bois pour fixer la plaque à un montant.

- 1 Enlevez les écrous à ailettes des boulons.
- 2 Insérez les boulons dans la plaque de montage à travers les trous dans le gypse et réassemblez les écrous à ailettes, à 3/4 po (19 mm) sur chaque boulon.

Pour utiliser les boulons à ailettes :



- 3 Placez la plaque de montage contre le mur et insérez les écrous à ailettes dans les trous du mur pour fixer la plaque.

REMARQUE: Avant de resserrer les boulons à ailettes et la vis à bois, assurez-vous que la plaque est bien centrée sous l'armoire et que les languettes de la plaque de montage touchent le dessous de l'armoire lorsque vous poussez la plaque contre le mur.

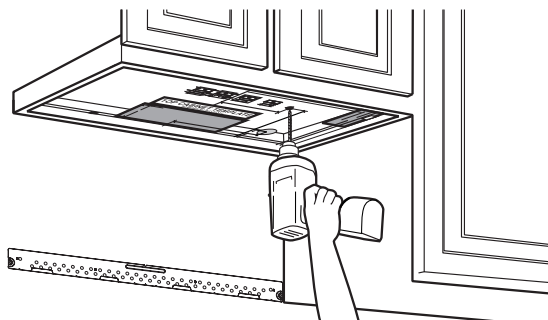
ATTENTION: Faites attention de ne pas vous pincer les doigts entre l'arrière de la plaque de montage et le mur.

- 4 Serrez tous les boulons. Tirez sur la plaque pour faciliter le serrage des boulons.

Instructions d'installation

C2. UTILISATION DU GABARIT POUR ARMOIRE SUPÉRIEURE POUR LA PRÉPARATION DE L'ARMOIRE SUPÉRIEURE

Vous devez percer des trous pour les vis de soutien supérieures, ainsi qu'un trou suffisamment grand pour y faire passer le cordon d'alimentation et une ouverture assez grande pour l'adaptateur d'évacuation.

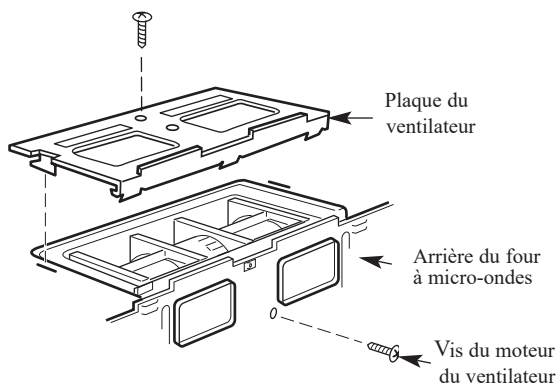


- Lisez les instructions sur le GABARIT POUR ARMOIRE SUPÉRIEURE.
- Collez-le sous l'armoire supérieure à l'aide de ruban adhésif.
- Percez les trous, en suivant les directives du GABARIT POUR ARMOIRE SUPÉRIEURE.

ATTENTION: Portez des lunettes de sécurité lorsque vous percez des trous dans le fond de l'armoire.

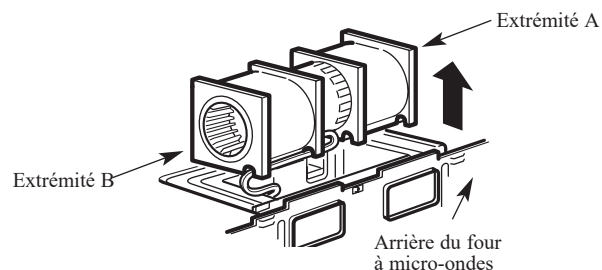
C3. ADAPTATION DU VENTILATEUR DU FOUR À MICRO-ONDES POUR L'ÉVACUATION À L'EXTÉRIEUR PAR LE DESSUS

- 1 Enlevez et conservez la vis qui retient le moteur du ventilateur au four à micro-ondes.

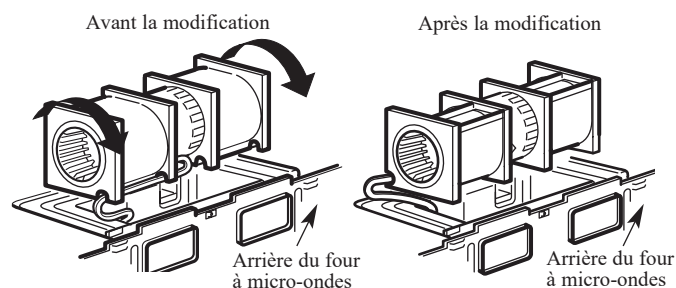


Enlevez la vis qui retient la plaque du ventilateur sur le four à micro-ondes. Enlevez et conservez la vis qui retient le moteur du ventilateur sur le four à micro-ondes.

- 2 Enlevez délicatement l'ensemble du ventilateur. Les fils seront assez longs pour vous permettre d'adapter le ventilateur.

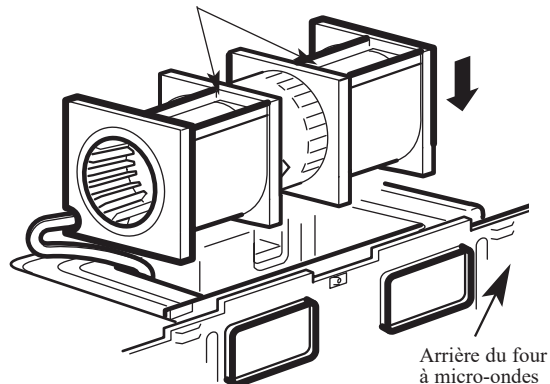


- 3 Tournez le moteur de 90° afin que les ouvertures des pales du ventilateur orientées vers le haut.



- 4 Remplacez l'ensemble du ventilateur dans l'ouverture.

APRÈS : Ouvertures des pales du ventilateur orientées vers le haut

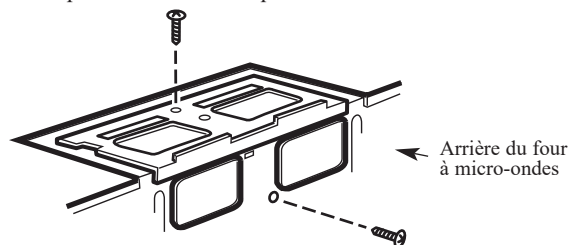


ATTENTION : Ne tirez pas sur les fils de l'ensemble du ventilateur et ne les étirez pas. Assurez-vous que les fils ne sont pas coincés et qu'ils sont fixés solidement.

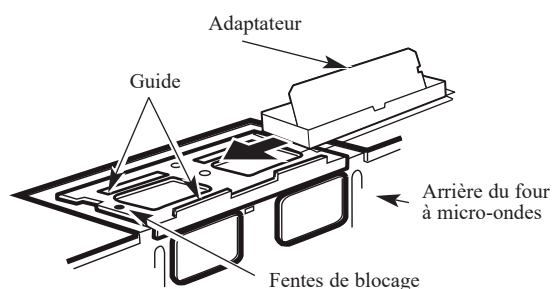
Instructions d'installation

C3. ADAPTATION DU VENTILATEUR DU FOUR À MICRO-ONDES POUR L'ÉVACUATION À L'EXTÉRIEUR PAR LE DESSUS

- Fixez l'ensemble de ventilateur au four à micro-ondes en utilisant la vis de l'étape 1. Assurez-vous que la vis est bien serrée.
- Remplacez la plaque du ventilateur en utilisant la vis de l'étape 1. Assurez-vous que la vis est bien serrée.

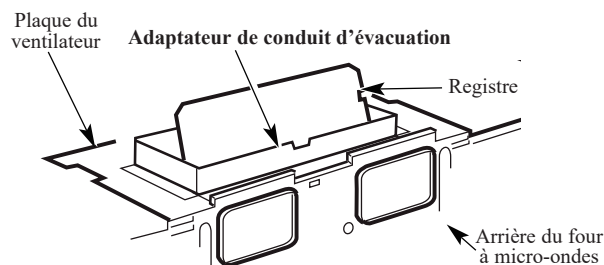


- Fixez l'adaptateur d'évacuation en haut du plaque du ventilateur en le couissant dans les guides situés, à la partie supérieure arrière du plaque du ventilateur.



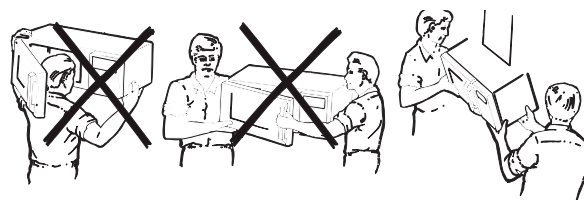
Insérez-le jusqu'à ce qu'il soit dans les fentes de blocage inférieures. Assurez-vous que la charnière du registre est installée et que le registre bouge librement.

C4. VÉRIFICATION DU FONCTIONNEMENT DU REGISTRE



- Assurez-vous que le ruban adhésif qui retient le registre a été enlevé et que le registre bouge librement avant d'installer le four.
- Vous devrez effectuer les ajustements nécessaires pour vous assurer que le conduit du four est bien aligné sur le conduit d'évacuation du domicile après l'installation du four.

C5. INSTALLATION DU FOUR À MICRO-ONDES



POUR VOTRE SÉCURITÉ ET POUR FACILITER L'INSTALLATION, L'INSTALLATION DE CE FOUR DOIT ÊTRE EFFECTUÉE PAR DEUX PERSONNES

IMPORTANT: Ne pas saisir ou utiliser la poignée ou l'écran thermique durant l'installation. Ne pas retirer les entretoises en carton entre l'écran thermique et la porte.

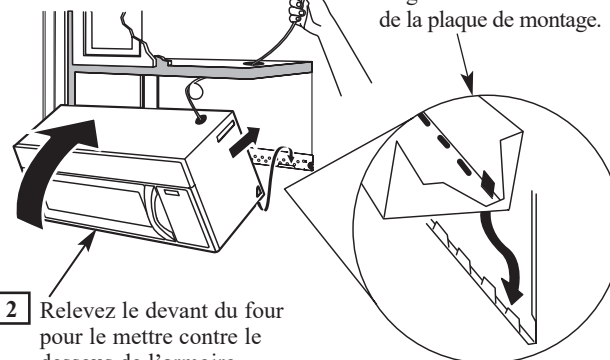
REMARQUE: Si vos armoires sont en métal, installez un passe-fil en nylon autour de l'orifice du cordon d'alimentation pour empêcher que le cordon soit coupé.

REMARQUE: Si le four est installé sous une armoire dotée d'un rebord avant, nous vous recommandons d'utiliser des entretoises.

IMPORTANT : Si vous n'utilisez pas d'entretoises, des dommages peuvent être causés au boîtier au moment du resserage des vis

REMARQUE: Lors de l'installation du four à micro-ondes, faites passer le cordon d'alimentation à travers le trou situé dans le fond de l'armoire supérieure. Gardez-le bien serré durant les étapes 1 à 3. Ne coincez pas le cordon et ne vous en servez pas pour soulever le four.

- Soulevez le four, penchez-le vers l'avant, et accrochez les fentes situées sur le bord inférieur à l'arrière du four sur les quatre languettes inférieures de la plaque de montage.

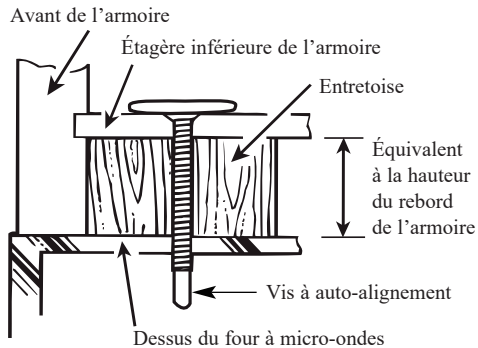


- Relevez le devant du four pour le mettre contre le dessous de l'armoire.

- Insérez une vis à auto-alignement dans le trou situé au centre de l'armoire supérieure. Fixez temporairement le four en faisant faire au moins deux tours complets à la vis après que les filets aient été engagés. (Elle sera complètement resserée plus tard.) Assurez-vous que le cordon d'alimentation est bien serré. Faites attention de ne pas le coincer, particulièrement au moment d'installer le four sous l'armoire.

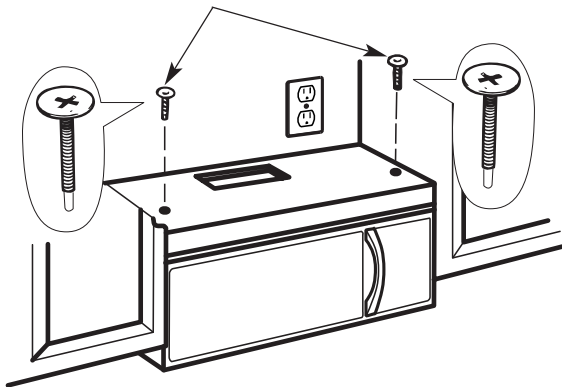
Instructions d'installation

C5. INSTALLATION DU FOUR À MICRO-ONDES (suite)

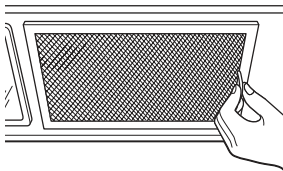


4 Fixez le four à micro-ondes à l'armoire supérieure.

5 Insérez deux vis à auto-alignement à travers les trous de l'armoire supérieure. Faites faire deux tours complets à chaque vis.



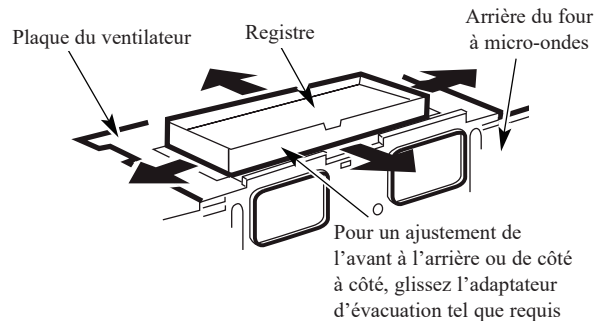
7 Serrez les deux vis de chaque côté dans le dessus du four à micro-ondes. (Tout en serrant les vis, soulevez l'avant du four à micro-ondes et poussez-le contre le mur et l'armoire supérieure.)



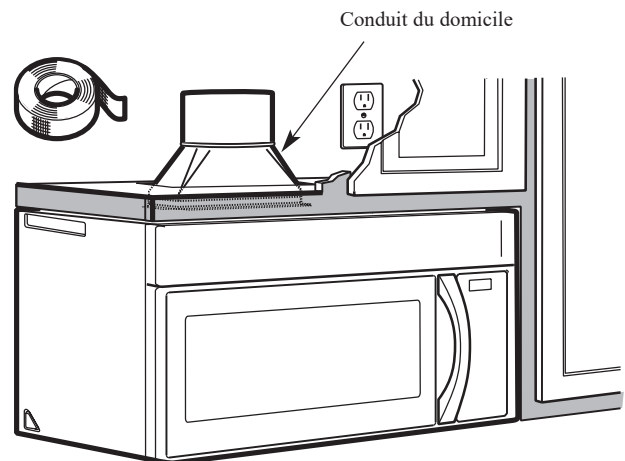
8 Installez les filtres. Consultez le Manuel de l'utilisateur emballé avec le four.

C6. AJUSTEMENT DE L'ADAPTATEUR D'ÉVACUATION

Ouvrez l'armoire supérieure et ajustez l'adaptateur d'évacuation pour le relier au conduit d'évacuation du domicile.



C7. CONNEXION AU CONDUIT



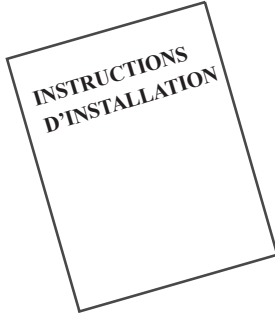
1 Tirez sur le conduit du domicile pour le raccorder à l'adaptateur d'évacuation.

2 Scellez les joints du conduit d'évacuation à l'aide de ruban adhésif en toile convenant à des températures élevées.

Instructions d'installation

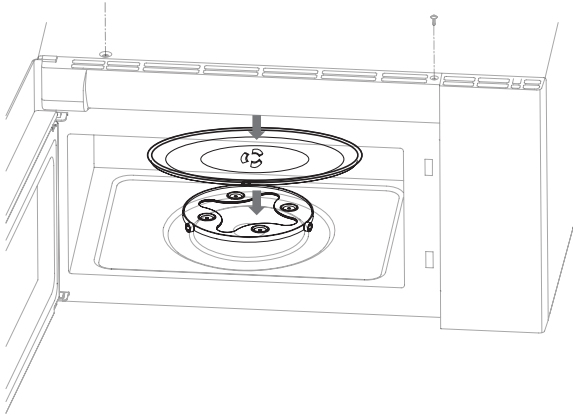
AVANT D'UTILISER VOTRE FOUR À MICRO-ONDES

- 1.** Assurez-vous que le four à micro-ondes a été installé conformément aux instructions.

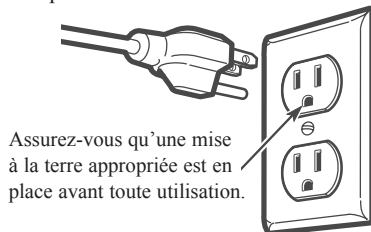


- 2.** Enlevez tout le matériel d'emballage du four à micro-ondes.

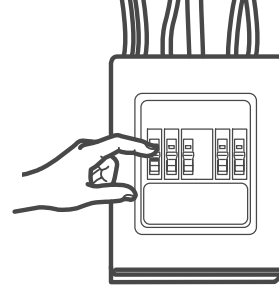
- 3.** Installez le plateau tournant et le plateau en verre dans le four à micro-ondes.



- 4.** Branchez le cordon d'alimentation séparée et dédiée sur une prise de courant réservée de 15 à 20 A.



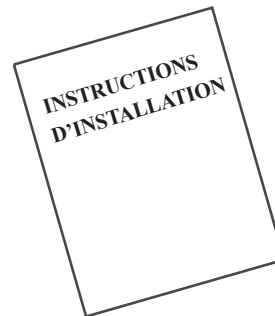
- 5.** Réinstallez le fusible ou réenclenchez le disjoncteur du panneau de distribution principal.



- 6.** Lisez le manuel d'utilisation et d'entretien.



- 7.** CONSERVEZ LES INSTRUCTIONS D'INSTALLATION POUR VOTRE INSPECTEUR LOCAL.



- 8.** Remplissez la carte d'enregistrement du produit.



