

# 30" Over-the-Range Microwave



300 Series – Stainless Steel HMV3055C



**HMV3055C**  
Stainless Steel

**The precisely designed OTR microwave is a perfect match to the sleek design of the Bosch kitchen.**

## Features & Benefits

Large 1.7 cu. ft. capacity to fit a variety of dishes

Multi-speed 300 CFM vent efficiently removes steam, smoke, grease and odors

Variety of modes including beverage reheat, potato and popcorn for easy and fast results

The LCD display features easy-to-read white LED lettering.

The OTR microwave is designed to install with a Bosch slide-in range or cooktop.

## General Properties

Cooking modes	Automatic: Popcorn, Beverage, Potato, Reheat and Defrost. Vent (high/low), cooktop light, 10 power levels, +30 second button, clock and kitchen timer.
Cavity Color	White
Interior light	2
Kitchen timer	Yes
Max. Microwave Power	1001 W
Max. extraction rate	301 CFM
Ducted	Yes
Ductless	Yes
Duct size	4 1/4" X 10"

## Capacity

Cavity Capacity	1.7 cu. ft.
Turntable Diameter	13 3/8"

## Technical Details

MW Power	1,550 W
Fuse protection	20 A
Volts	121 V
Frequency	61 Hz
Power Plug (BSH requirements) – length (min) NFPA 70 and UL requirements	40"

## Dimensions & Weight

Overall appliance dimensions (HxWxD)	16 7/16" x 30" x 15 1/4"
Cavity Capacity	1.7 cu. ft.
Overall oven interior dimensions (HxWxD)	9 7/8" x 20 7/8" x 14 9/16"
Net weight	53 lbs
Plug Type	120V-3 prong

## Accessories—Included

2 glass tray turntable and 1 roller ring

**Accessories:** To purchase Bosch accessories, cleaners & parts please visit [www.bosch-home.com/us/store](http://www.bosch-home.com/us/store) or call 1-800-944-2904 (Mon to Fri 5 am to 6 pm PST, Sat 6 am to 3 pm PST).

**Notes:** All height, width and depth dimensions are shown in inches. BSH reserves the absolute and unrestricted right to change product materials and specifications, at any time, without notice. Consult the product's installation instructions for final dimensional data and other details prior to making cutout.

**Warranties:** Please see Use & Care manual or Bosch website for statement of limited warranty.

**For more information on our entire line of products, go to [www.bosch-home.com/us](http://www.bosch-home.com/us) or call 1-800-944-2904**

© BSH Home Appliances Corporation. All rights reserved. Bosch is a registered trademark of Robert Bosch GmbH.

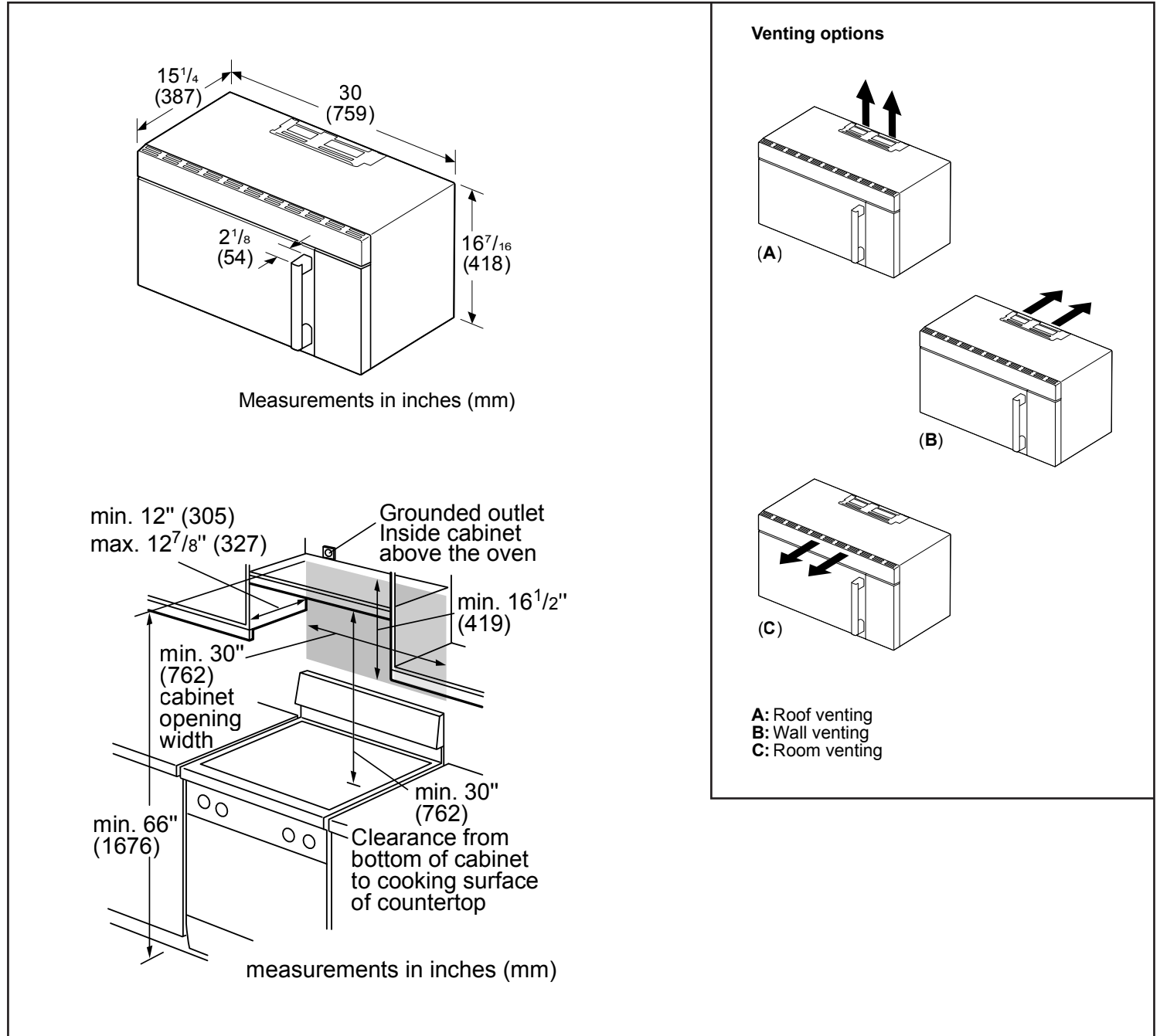
5/25 CA

# 30" Over-the-Range Microwave



300 Series – Stainless Steel HMV3055C

## Installation Details



**Accessories:** To purchase Bosch accessories, cleaners & parts please visit [www.bosch-home.com/us/store](http://www.bosch-home.com/us/store) or call 1-800-944-2904 (Mon to Fri 5 am to 6 pm PST, Sat 6 am to 3 pm PST).

**Notes:** All height, width and depth dimensions are shown in inches. BSH reserves the absolute and unrestricted right to change product materials and specifications, at any time, without notice. Consult the product's installation instructions for final dimensional data and other details prior to making cutout.

**Warranties:** Please see Use & Care manual or Bosch website for statement of limited warranty.

**For more information on our entire line of products, go to [www.bosch-home.com/us](http://www.bosch-home.com/us) or call 1-800-944-2904**

© BSH Home Appliances Corporation. All rights reserved. Bosch is a registered trademark of Robert Bosch GmbH.