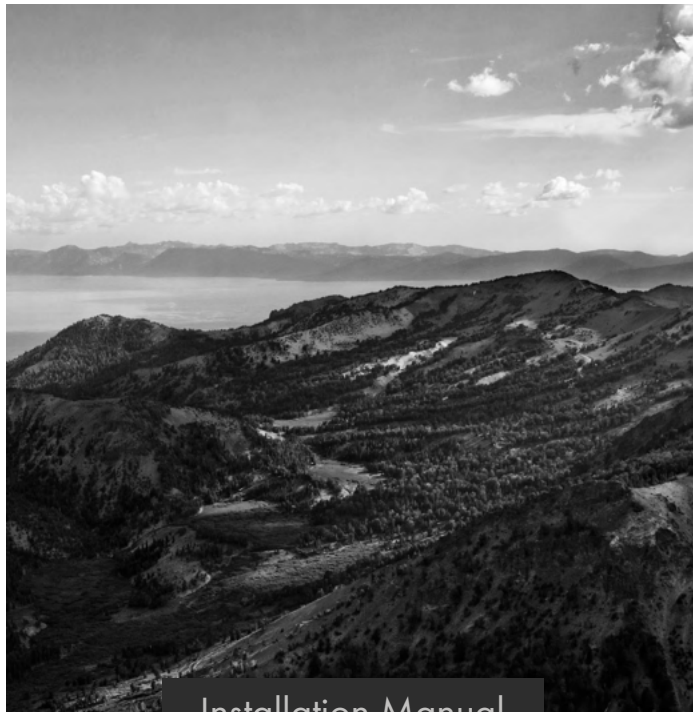


ZLINE

ATTAINABLE LUXURY[®]



Installation Manual

WINE REFRIGERATION RBCWVR-18, RBCWVL-18, & RBCWV-24 MODELS

zlinekitchen.com



ZLINE Kitchen and Bath provides Attainable Luxury, where the kitchen and bath of your dreams is never out of reach. Through our unique designs and unparalleled quality, we're dedicated to providing you an elevated experience in the heart of your home. With an endless selection of features and finishes, our inspiration is your reality.

ZLINE
ATTAINABLE LUXURY®



ZLINE is fueled by a passion for innovation; A relentless pursuit of bringing the highest end luxury designs and professional features into everyone's homes.

Because we continually strive to improve our products, we may change specifications and designs without prior notice.

Scan the QR code to view the most up-to-date version of the Installation Manual and User Manual.

⚠ WARNING: This product can expose you to chemicals including nickel, which is known to the State of California to cause cancer. For more information, go to www.P65Warnings.ca.gov.

TABLE OF CONTENTS

IMPORTANT SAFETY INSTRUCTIONS.....	1
Electrical Connection	7
Tools Required.	9
BEFORE INSTALLATION.....	10
INSTALLATION	13
Mounting the Anti-Tip Brackets.	23
Installing the Door Panel	37
Attaching the Door Handles	37
Installing the Door Panel	38
Changing the Door Opening Direction (RBCWV-24).	43
DUAL CABIN INSTALLATION.....	49
WARRANTY.....	62

IMPORTANT SAFETY INSTRUCTIONS

PLEASE READ THIS MANUAL BEFORE INSTALLING AND USING THE PRODUCT

- Always follow the applicable safety instructions.
- The installer should leave these instructions with the consumer who should retain for local inspectors' use and for future reference.
- Please read all other documents provided with this product.
- Please keep in mind this manual may apply to several product models.
- This manual expressly indicates the differences between various models.
- **IMPORTANT:** This is a complex installation procedure that should only be performed by qualified professionals and technicians.
- The manufacturer will not be responsible for any damage to property or to persons caused by incorrect installation, improper use of the appliance, or failure to heed the warnings listed.

Symbols used in the installation manual are as follows.



Important information and useful hints.



WARNING

Conditions that may damage the product or its operating functions.



ATTENTION

Conditions containing serious injury risk.



CAUTION

Conditions containing electric shock risk.

IMPORTANT SAFETY INSTRUCTIONS



WARNING

R600A REFRIGERANT

This product contains R600a isobutane refrigerant, which is a very eco-friendly natural gas. However, it is also flammable. Please follow the warnings and installation instructions below:

- If the product has been transported horizontally, you must wait a minimum of 4 hours after standing it upright before plugging it in.
- Cut-out dimensions of the installation area must be suitable to safely fit the product for full installation.
- Dimensions, features, and position of objects used to support and affix the product to this area must be suitable.
- Minimum clearances between product parts and surrounding structures must be suitable.
- Minimum dimensions and proper organization of ventilation holes must be observed.
- The product must be connected to the main power outlet, and corresponding connections of other components must be suitable.
- The product must be able to be disconnected from the power supply if needed after installation.
- The outlet or fuse must be accessible to disconnect the product.
- Extension cables or ungrounded (two-terminal) adapters must not be used with this unit.



ATTENTION

You must wear gloves and eye protectors when installing the product.

You must also take measures against high noise levels when using a drill to drill into the floor or wall.



ATTENTION

Make sure that your product is suitable for your local codes.



ATTENTION

The product must be installed by a qualified technician according to the installation instructions.



WARNING

The product may tip over since it is quite heavy. For this reason, safety precautions must be taken. The door of the product must be kept closed until it reaches the final install destination, and it must be transported in accordance with the installation instructions.

IMPORTANT SAFETY INSTRUCTIONS

DISPOSING OF THE PACKAGING MATERIALS

- The package has been designed to protect the product during transport and shipping. The packaging materials used are designed to not harm the environment and should be recycled after the appliance is installed.
- All plastic packaging materials, bags, etc., must be disposed of safely and kept out of the reach of children.



This Installation Manual has been prepared to help qualified professionals with installation of the appliance. The User Manual provided with the product must also be taken into consideration, as it contains important information about operation and safety. You may get seriously injured and your product may get damaged if you ignore the warnings given in this manual. Please read the following carefully.



Risk of child entrapment. To avoid safety and suffocation risks for children or pets, before you dispose of the appliance, take off the door and drawers and leave the shelves in place so children or pets may not climb inside.

COMPLIANCE WITH THE WEEE DIRECTIVE AND DISPOSING OF E-WASTE



- This product conforms to the EU WEEE Directive (2012/19 EU).
 - This product bears a classification symbol for "waste electrical and electronic equipment," otherwise known as WEEE.
 - This product has been manufactured from high-quality parts and materials that can be reused and are suitable for recycling.
- Therefore, do not dispose of the product with normal domestic waste or other waste at the end of its service life.
 - Take it to a collection center for recycling electrical and electronic equipment.
 - Please consult your local government authority to learn about appropriate collection center location.

IMPORTANT SAFETY INSTRUCTIONS

INSTALLATION ENCLOSURE

You must follow the instructions below:

- The floor on which the product will be installed must be capable of bearing a minimum of 1,200 pounds (544 kilograms).
- The kitchen floor and bottom of the product must be at the same level. Otherwise, the air flow for the unit's cooling system may be impeded or reduced.
- There must be no objects preventing installation of the product to the back and side walls of the product's cut-out installation area.
- The electrical outlet receptacle must be properly located and easily accessed.
- Cut-out dimensions of the cabinets where the product will be installed must be in strict conformity with the dimensions given in the manual.
- Do not install the refrigerator directly adjacent to another refrigerator unless using the appropriate joining kit. Otherwise, condensation and damage may occur. (Please see "Dual Cabin Installation Methods" on page 11 for imagery)
- Check if the floor where the product will be installed is level. Use a level when doing so to be sure.
- The installation area must not be subjected to direct sunlight and it must be away from heat sources, such as microwaves, ovens, radiators, etc.
- The ambient temperature must be between 55 °F and 100 °F (13 °C and 38 °C), depending on where the unit is installed. Otherwise, functional errors may occur when the product is running.
- If it is not possible to avoid installing the product near a heat source, the minimum clearances given below must be maintained:
 - 2" (51 mm) from electric ranges or ovens.
 - 12" (305 mm) from gas or fuel operated ranges or ovens.

IMPORTANT SAFETY INSTRUCTIONS

Please observe the following rules:

- The dedicated circuit breaker for this unit must be easily accessible in case of an emergency; it must not be hidden behind the product.
- The electrical plug and cord must not touch the back surface of the product. Otherwise, it may get damaged due to the vibration of the product.
- Do not connect the plugs of other appliances behind this product.
- If the humidity level is high where the product is used, corrosion may occur on the outer surface of the product. Keep the area where the unit will be installed dry and well-cleaned to avoid corrosion.



CAUTION

To avoid the risk of electric shock:

- Connect the plug to a dedicated grounded electrical outlet.
- Do not remove the ground terminal of the plug.
- Do not use adapters.
- Do not use extension cables or cords.



ATTENTION

Do not install your refrigerator:

- In open areas.
- In environments where water is dripping.
- In environments where temperature is lower than 55 °F (13 °C).

IMPORTANT SAFETY INSTRUCTIONS



Failure to follow these instructions may result in death, fire, or electric shock. Connecting the grounding conductor of the equipment to an improper place may lead to electric shock. Please have the grounding checked by a qualified electrician or service technician.

Installation, repair, and other procedures performed by unqualified persons may cause danger. Before installing the appliance, make sure that the voltage, load, and circuit current parameters on the data plate are in compliance with the power mains in your house.

The appliance is provided with a NEMA 5-15P plug and a 3-pin power cable, which is UL listed and ready to be connected to a 120 VAC, 60 Hz power supply. The fuse is 15 amps, and the appliance must be connected to a dedicated electrical outlet.

If combining multiple units, ZLINE recommends all be plugged into independent circuits. They can be plugged into the same outlet, but the circuit must have a dedicated 15-amp breaker.

If the electrical wiring or power supply of the house needs alteration, the necessary procedures must be performed by a qualified electrician. The plug must be installed only by a licensed electrician.

CABINETS

- Make sure that the cabinets where you will install the appliance have been safely mounted in your kitchen. Your cabinets must be securely connected to the floor and walls properly and with suitable connections.
- For the best installation, clearances between the cabinets and the product must be in compliance with the values specified in the installation instructions of this manual.
- Side walls must be free of any obstructions and their surfaces must be flat.
- **NOTE:** Minimum thickness of the side walls is 5/8" (16 mm). The minimum thickness of the doors to be attached to the product must be 3/4" (19 mm). For a 25" (635 mm) flush inset depth, the maximum door panel thickness is 15/16" (24 mm).

IMPORTANT SAFETY INSTRUCTIONS

VENTILATION

Ventilation panels where the air enters and exits the unit must not be blocked or obstructed. In addition, you must periodically clean the dust and dirt that accumulates on the vent holes to ensure adequate ventilation.

ELECTRICAL CONNECTION



CAUTION

RISK OF ELECTRIC SHOCK

Electrical grounding is necessary. This appliance is equipped with a 3-pin plug to protect you against possible electric shocks.

- Do not remove the round grounding terminal from the plug.
- Do not use 2-pin grounding adapters.
- Do not use extension cables or cords to energize the product.



ATTENTION

Do not connect the grounding cable to any gas pipes. Please have the grounding checked by a qualified electrician if you are not sure about the grounding of the product. Do not install a fuse on the neutral line or grounding circuit.



WARNING

Please wait 3-6 hours after installing the unit before plugging it in to protect it against possible damages. This way, the refrigerant and the lubricants in the system are given proper time to balance.

IMPORTANT SAFETY INSTRUCTIONS

- Never use an extension cable or cord with this unit.
- The dedicated electrical outlet receptacle for this unit must be grounded and checked by an authorized electrician.
- The location of the electrical wiring must comply with the dimensions specified in this installation manual.
- Check that the voltage marked on the product corresponds with your supply voltage.
- This appliance should be properly grounded for your safety. The power cord of this appliance is equipped with a three-pin plug which mates with standard three-pin wall outlets to minimize the possibility of electrical shock.
- Never under any circumstances cut or remove the third ground prong from the power cord supplied. For personal safety, this appliance must be properly grounded.
- Have the wall outlet and circuit checked by a qualified electrician to make sure the outlet is properly grounded. When a standard two-pin wall outlet is encountered, it is your responsibility and obligation to have it replaced with a properly grounded three-pin wall outlet.
- To prevent accidental injury, the cord should be secured behind the appliance and not left exposed or dangling.
- The appliance should always be plugged into its own individual electrical outlet which has a voltage rating that matches the rating label on the appliance. This provides the best performance and also prevents overloading wiring circuits that could cause a fire hazard from overheating. Never unplug the appliance by pulling the power cord. Always grip the plug firmly and pull straight out from the receptacle. Repair or replace immediately all power cords that have become frayed or otherwise damaged. Never use a cord that shows cracks or abrasion damage along its length or at either end. When moving the appliance, be careful not to damage the power cord.
- Never use your appliance with an extension cord unless this cord has been checked and tested by a qualified technician or service person. The extension cord must be a UL/CUL Listed, 3-wire grounding extension cord that has a grounding plug and outlet and that the electrical rating of the cord is 115 volts and at least 10 amperes.








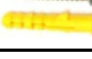








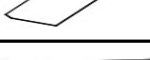


BEFORE INSTALLATION

TOOLS REQUIRED

Tools to be used when installing the product are as follows (additional tools that may assist in installation are not listed here):

TOOLS REQUIRED (NOT PROVIDED)	
<ul style="list-style-type: none">• Cordless Drill• Safety Goggles• 1/2" Wrench• Hammer• Ladder• 3/32" Drill Bit• 5/16" Drill Bit• Box Cutter• Socket Wrench	<ul style="list-style-type: none">• Safety Gloves• Tape Measure• 1/4" Torx Bit• 1/4" Flat Wrench• 1/4" Hex Socket• Level• Dolly or Hand Truck• Tape

BEFORE INSTALLATION

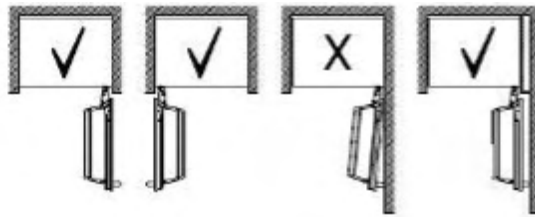
PART NAME	IMAGE	QTY	
		RBCWVR-18 & RBCWVL-18	RBCWV-24
1. Door handle		1	
2. Allen/hex key		1	
3. Handle mounting stud (if applicable)		2	
4. Washer (if applicable)		2	
5. Stop nut M5 (if applicable)		2	
6. Set screw M5 x10 mm (if applicable)		2	
7. Anti-tip bracket		2	
8. Anti-tip bracket screws and anchors		8	
9. Cabinet bracket		8	
10. Counter sunk head screw, ST4 x 14 mm		20	
11. Truss washer head, ST4 x 12 mm		16	
12. Position adjustment jig		1	
13. Countersunk head screws for securing panels ,ST4 x 35 mm		8	
14. Air vent right hinge (if applicable)		-	1
15. Air vent left hinge (if applicable)		-	1
16. 90° limit pin		2	
17. Door panel preparation template		1	
18. Trims		1+2+2	1+2+2
19. Manuals		2	

BEFORE INSTALLATION

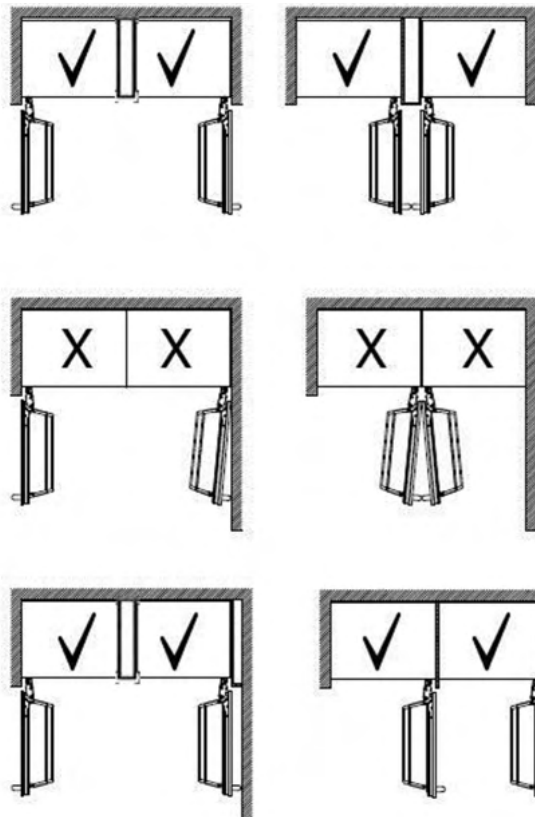
ALTERNATIVES FOR INSTALLATION

- The product can be placed in various ways based on the kitchen design. It must be installed in a place where the door can be opened and closed properly without obstructions.
- If the doors cannot be opened at least 90°, you will lose full functionality of the drawers inside the product. **NOTE:** The unit's hinges are designed for a door opening range of up to 115° if so desired.

SINGLE CABIN INSTALLATION METHODS



DUAL CABIN INSTALLATION METHODS

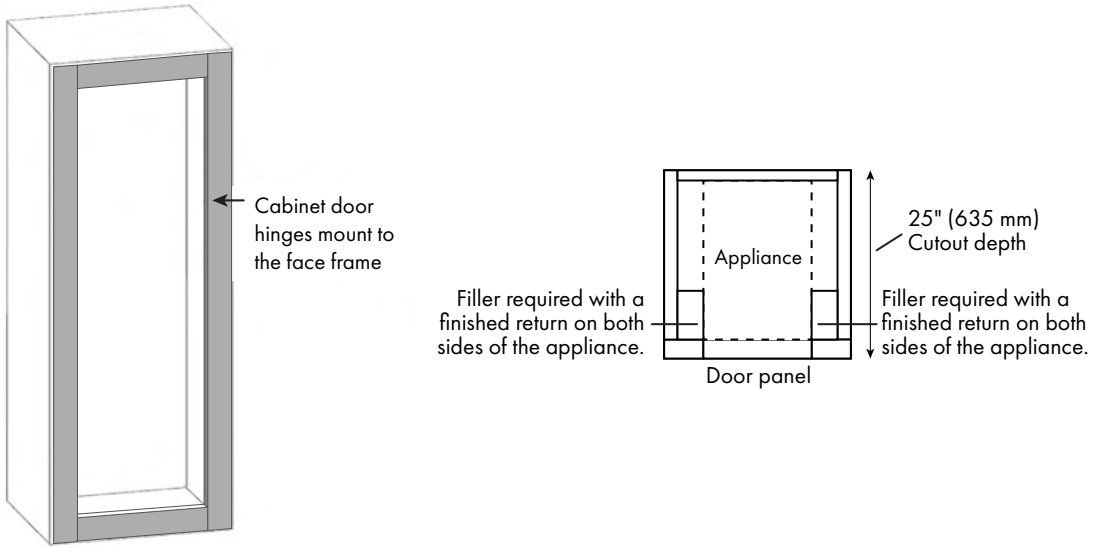


BEFORE INSTALLATION

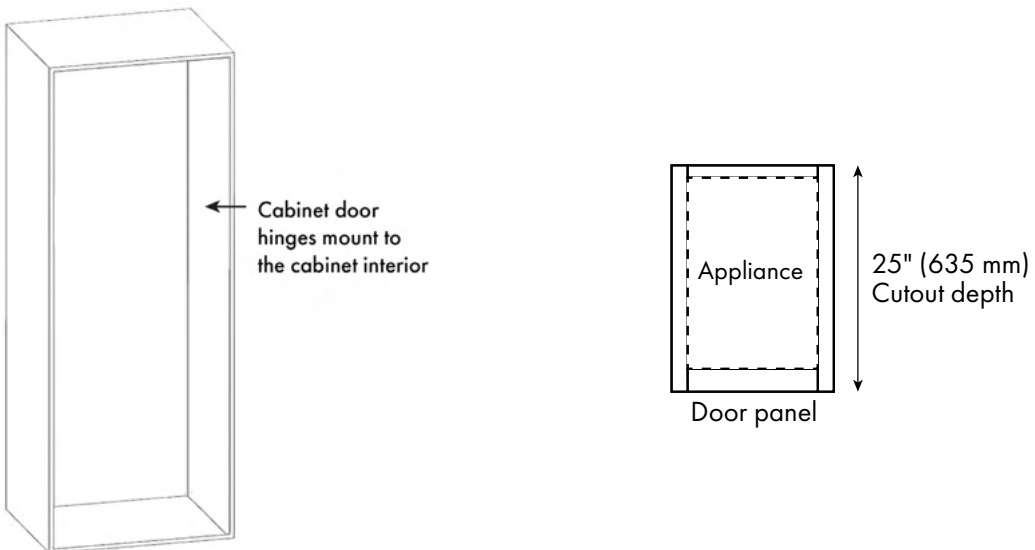
CABINETS PLANNING

NOTE: If you have an existing framed cabinet, you need to add a filler behind the face frame in order to properly mount the side brackets. If you don't have a filler, you'll have a gap and won't be able to safely install your unit(s).

FRAMED CABINET

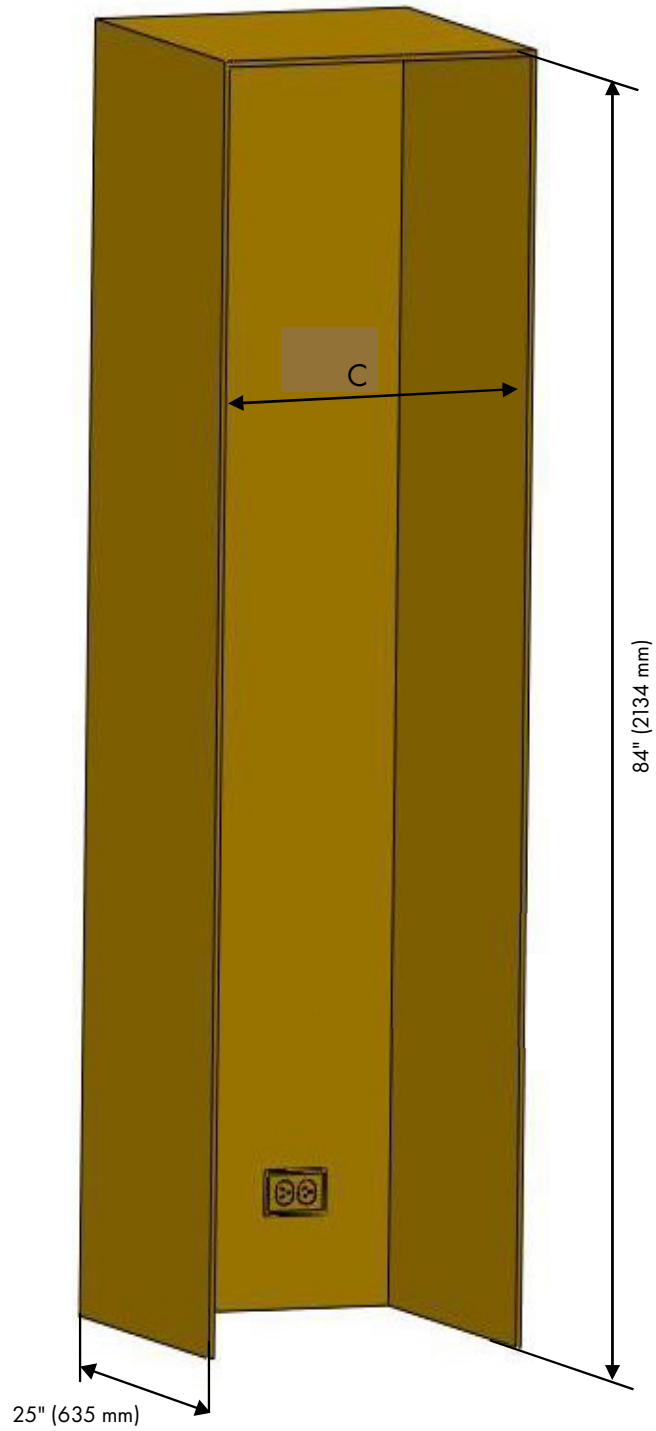


FRAMELESS CABINET



INSTALLATION

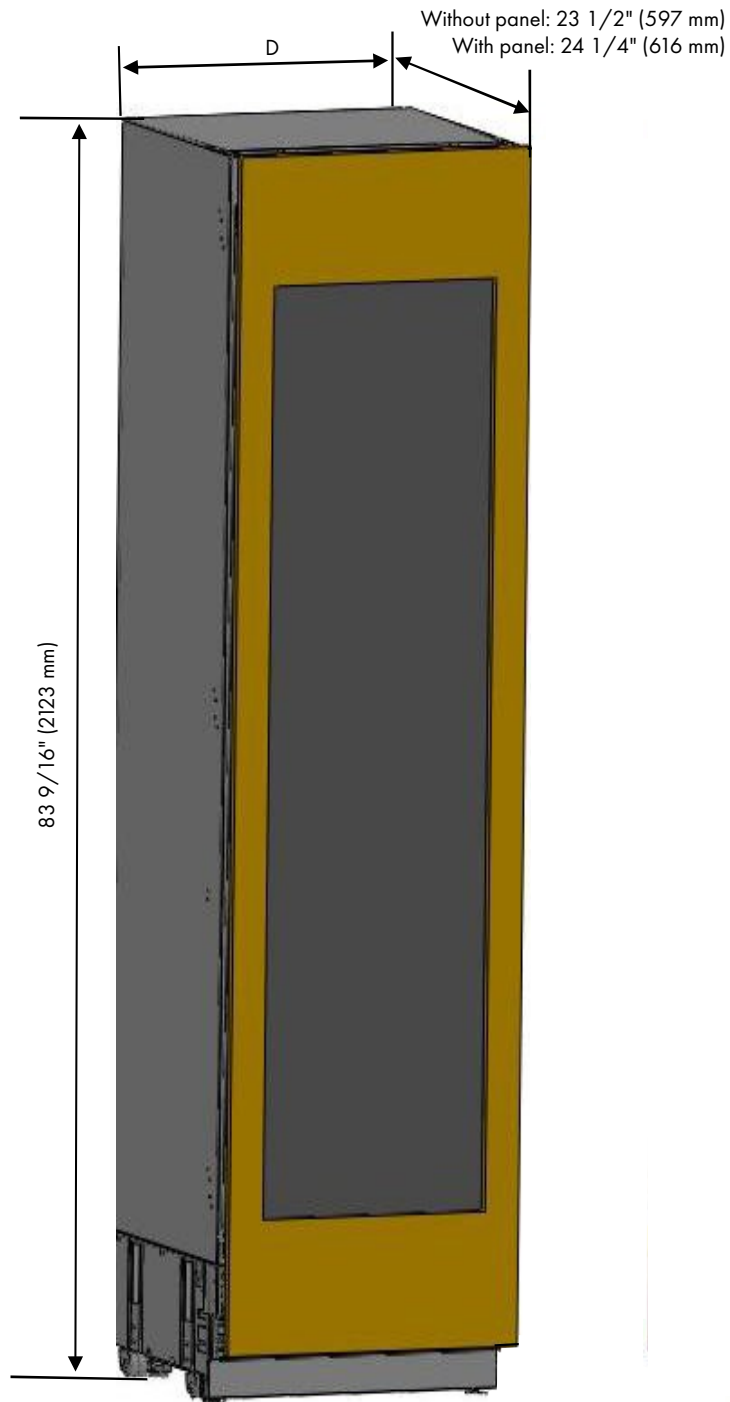
PRODUCT AND CUTOUT DIMENSIONS



	RBCWVR-18 & RBCWVL-18	RBCWV-24
C	18 3/16" (462 mm)	24 3/16" (614 mm)

INSTALLATION

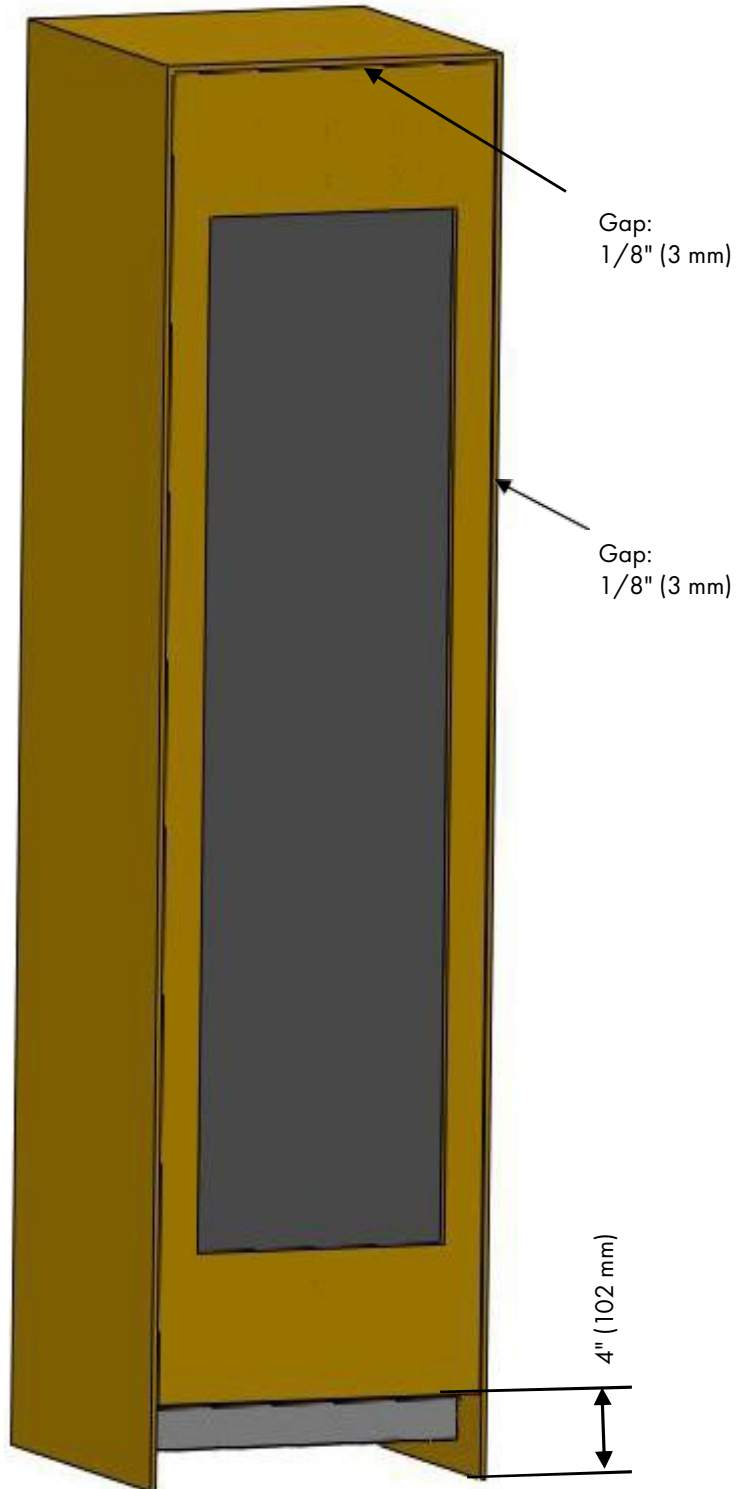
PRODUCT AND CUTOUT DIMENSIONS



	RBCWVR-18 & RBCWVL-18	RBCWV-24
D	17 3/4" (451 mm)	23 3/4" (603 mm)

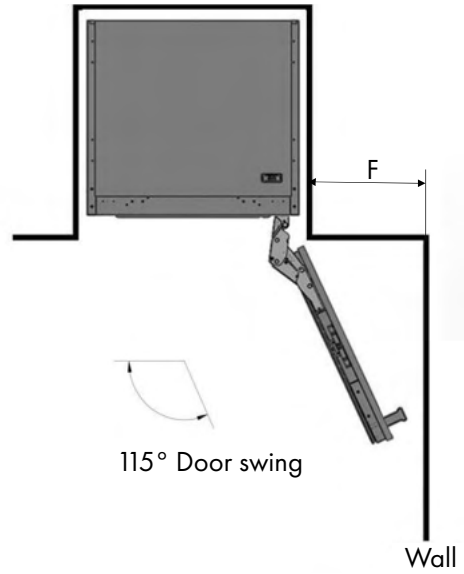
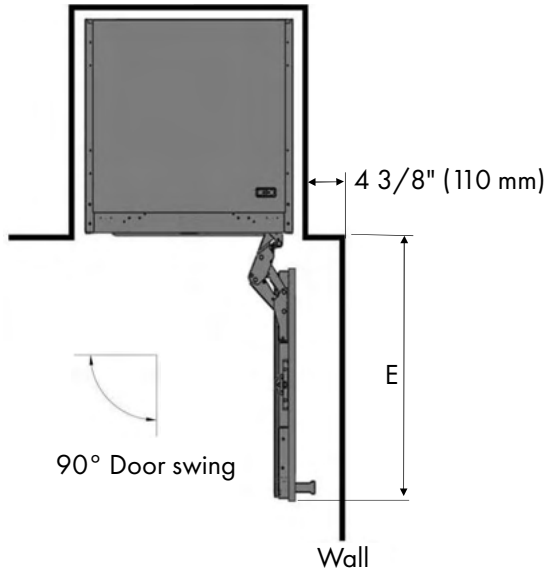
INSTALLATION

PRODUCT AND CUTOUT DIMENSIONS



INSTALLATION

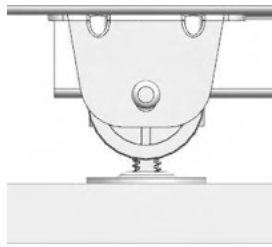
PRODUCT AND CUTOUT DIMENSIONS



	RBCWVR-18 & RBCWVL-18	RBCWV-24
E	20" (508 mm)	26" (660 mm)
F	11" (280 mm)	14" (356 mm)

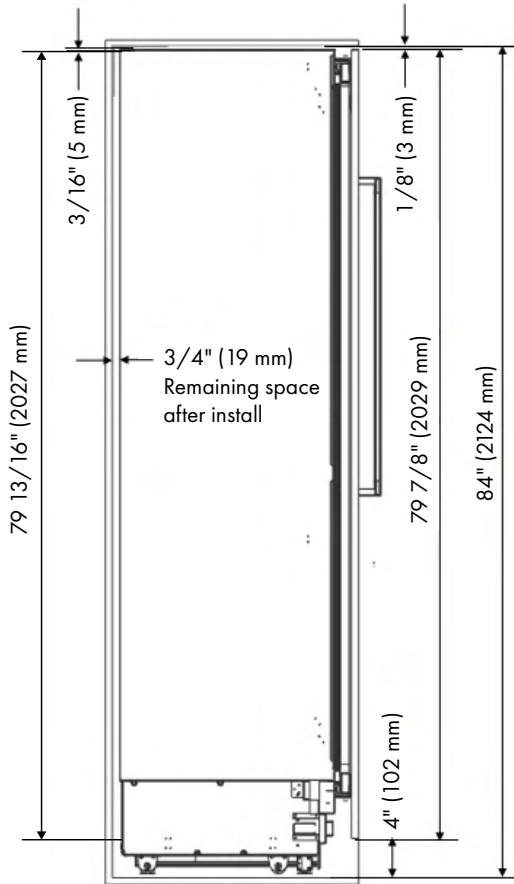
INSTALLATION

PRODUCT AND CUTOUT DIMENSIONS



Minimum height adjustment for leveling

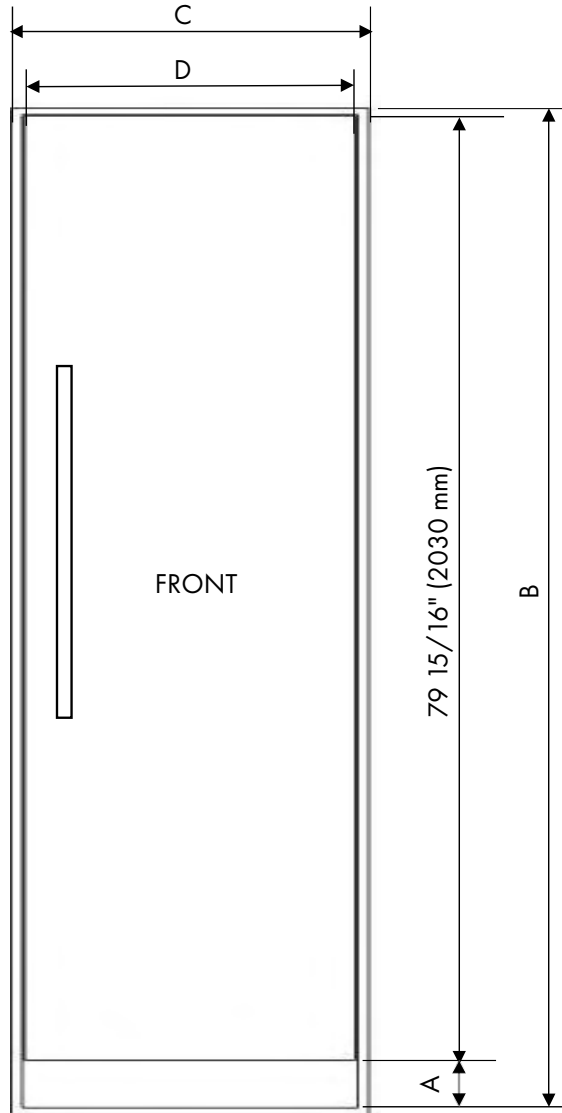
Front: 5/16" (8 mm)
Rear: 1/4" (7 mm)



INSTALLATION

PRODUCT AND CUTOUT DIMENSIONS

	A	B
Standard	4" (102 mm)	83 9/16" (2123 mm)
Minimum	3 3/4" (95 mm)	83 3/4" (2127 mm)
Maximum	5 5/16" (135 mm)	85 5/16" (2167 mm)



	RBCWVR-18 & RBCWVL-18	RBCWV-24
C: Width of Cabinet Cutout	18 3/16" (462 mm)	24 3/16" (614 mm)
D: Width of Refrigerator	17 3/4" (451 mm)	23 3/4" (603 mm)

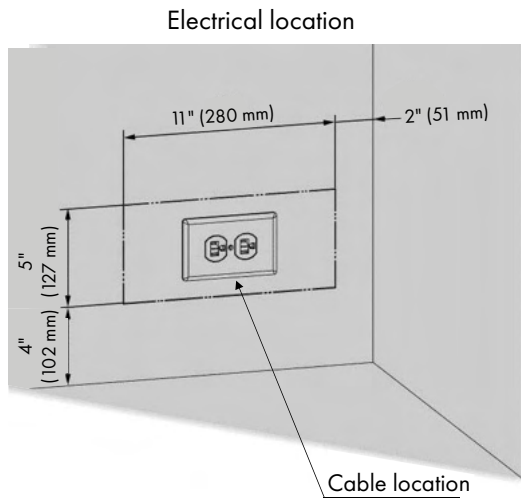
INSTALLATION

INSTALLATION DIMENSIONS

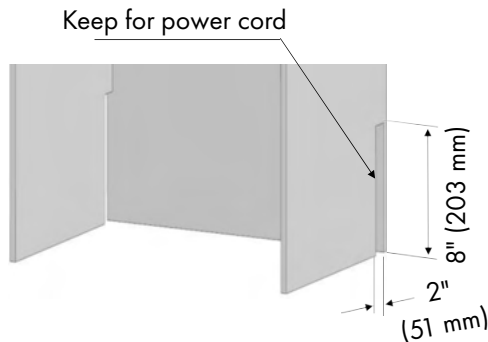
PREPARING THE WATER HOSE AND POWER PLUG

- You will need a hose with a minimum length of 60" (1524 mm) and a diameter of 1/4" (6 mm) for water connections during installation.
- A connector that has a thread with an external diameter of 1/4" (6 mm) must be used to connect the hose end to the product.
- You can choose method A or method B below to prevent the power cord and water supply line from getting jammed or tangled.

Method A: Locate the water hose and power supply on the back of your cabinet.



Method B: Locate the water hose and power supply through the side of the cabinet.



INSTALLATION

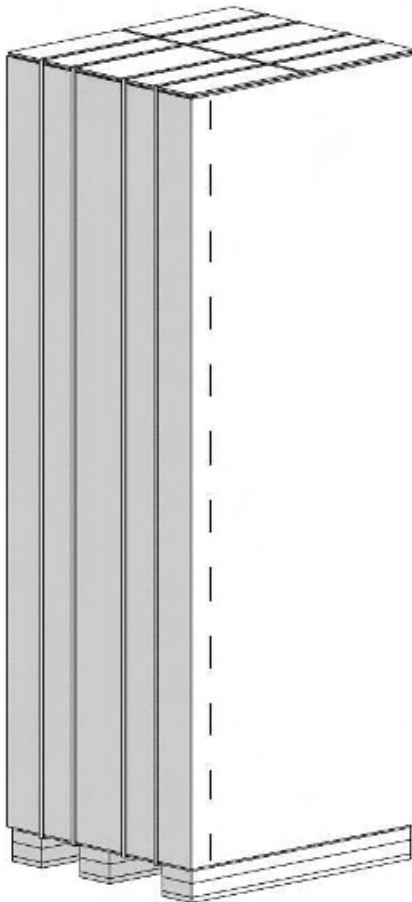
UNPACKING

- Use a box cutter to remove tape on the box packaging.
- Cut the box packaging through the section illustrated in dotted lines in the figure below and remove it.
- If this refrigerator was purchased with door panels, the panels and handles ship in multiple boxes and require additional assembly upon installation.
- Please note the diagrams on the following pages will alternate showing the appliance with and without panels installed; this is done purposefully to show how the item will look panel-ready versus with panel installed.
- Door panel preparation and installation is covered starting on page 49.



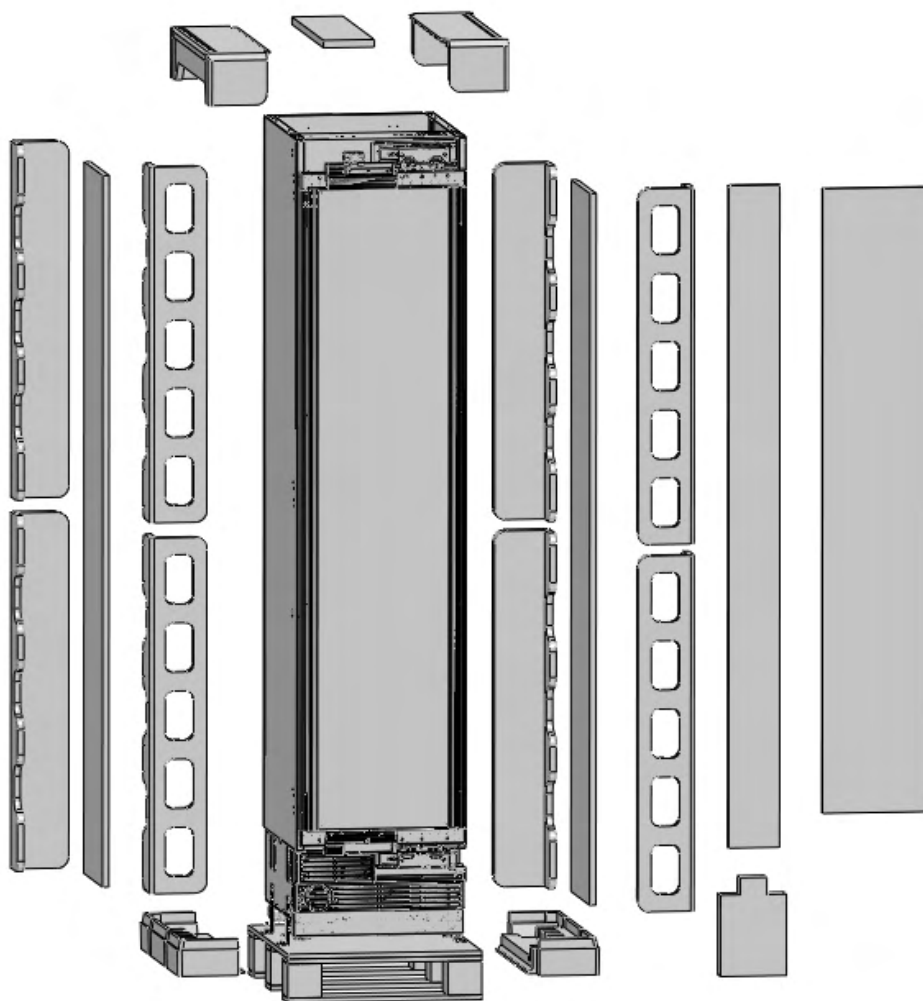
WARNING

Due to refrigerators weighing between 250 and 310 pounds (113 and 141 kilograms), at least two people must move units when unpacking and installing.



INSTALLATION

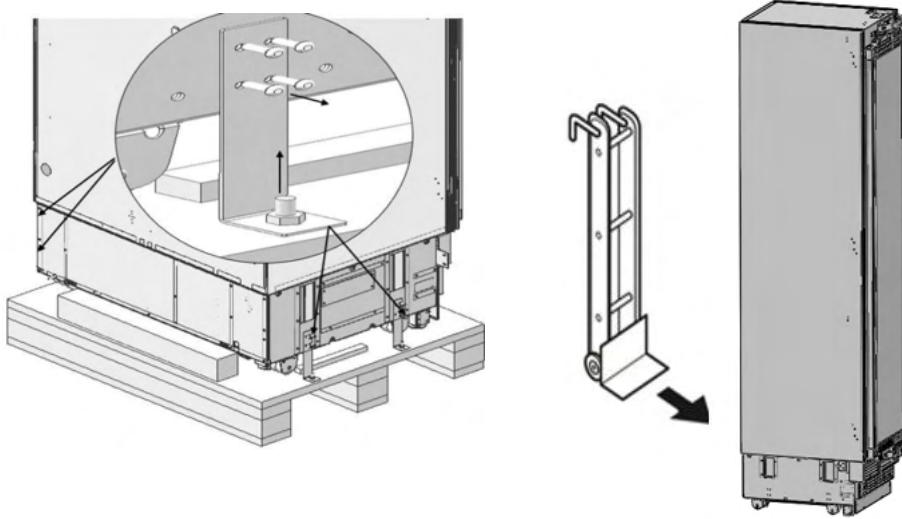
REMOVE THE PACKAGING POLYSTYRENE MATERIAL



INSTALLATION

MOVING THE UNIT FROM THE WOODEN PALLET

- With a Phillips-head screwdriver or drill bit, remove the screws from the security brackets that connect the refrigerator to the wooden pallet as outlined below.



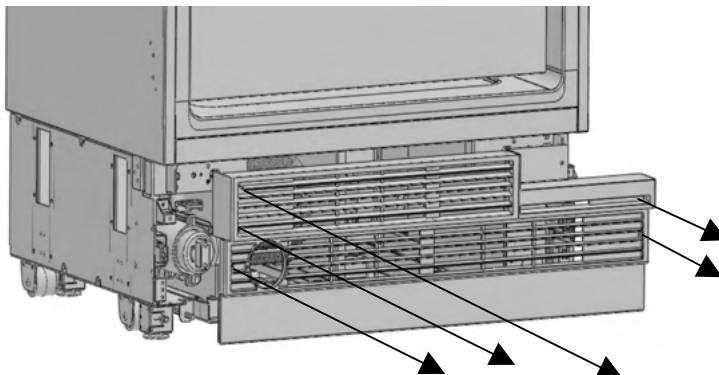
- With at least two people, recline the refrigerator with the help of a dolly/hand truck to lift it off the pallet and Styrofoam packaging, then slowly lower the refrigerator to the floor. Then, use the hand truck to carefully move the unit near the opening of the cabinet cutout where it will be installed.



Do not open door, as the weight of the unit's door can cause the appliance to tip over while in a reclined or free standing position.

REMOVING THE VENT HOLE ASSEMBLY

- Remove 5 screws to take out the Vent Hole Assembly.



INSTALLATION

PRE-INSTALLATION NOTES

Continue to install the product according to the instructions below. Additionally, consider national and local government codes and instructions regarding installation requirements and clearances.

Please observe the following:

- For the USA, National Electrical Code, ANSI/NFPA 70-latest version; state or municipality directives; and/or regional directives.
- For Canada, Canadian Electrical Code, C22.1-latest version; province or municipality directives; and/or regional directives.

MOUNTING THE ANTI-TIP BRACKETS



Anti-tip brackets must be installed to prevent the appliance from tipping over and limit risk of injury.



Make sure there is no electrical or water connection where the screws will be tightened and connections will be established.

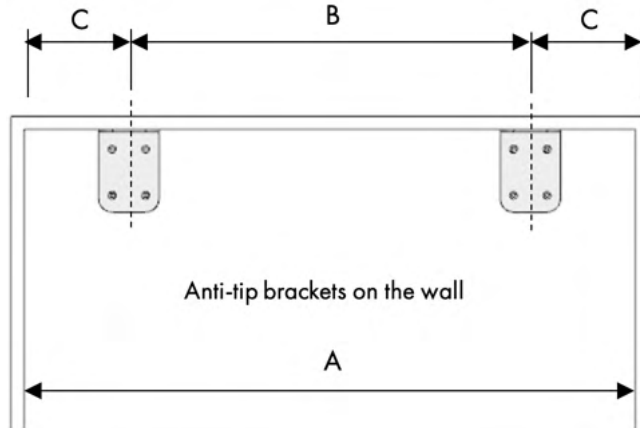


Please remember to use necessary protective equipment when drilling holes in the wall while performing this installation.

INSTALLATION

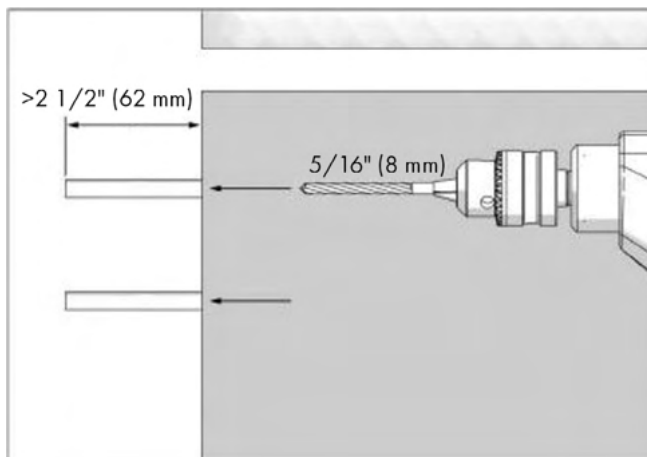
MOUNTING THE ANTI-TIP BRACKETS

- Mark the upper rear of the wall in your cabinet cutout to locate the anti-tip brackets (page 10, Item No. 7).



CATEGORY	RBCWVR-18/RBCWVL-18	RBCWV-24
A	18 3/16" (462 mm)	24 3/16" (614 mm)
B	11 5/8" (295 mm)	17 5/8" (447 mm)
C	3 9/32" (83 mm)	3 9/32" (83 mm)

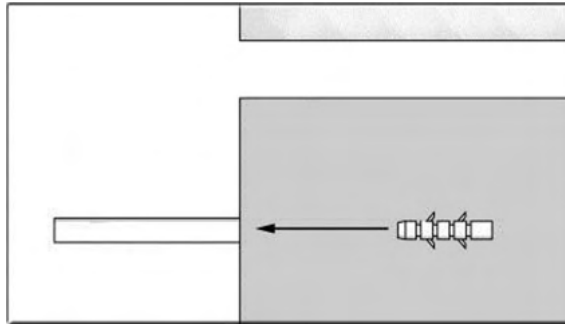
- Use a 5/16" (8 mm) drill bit to bore roughly (5/16" - Ø 8 mm) deep holes at the marked points. Do not use a larger drill bit as the wall anchors will be unable to tighten or secure the brackets.



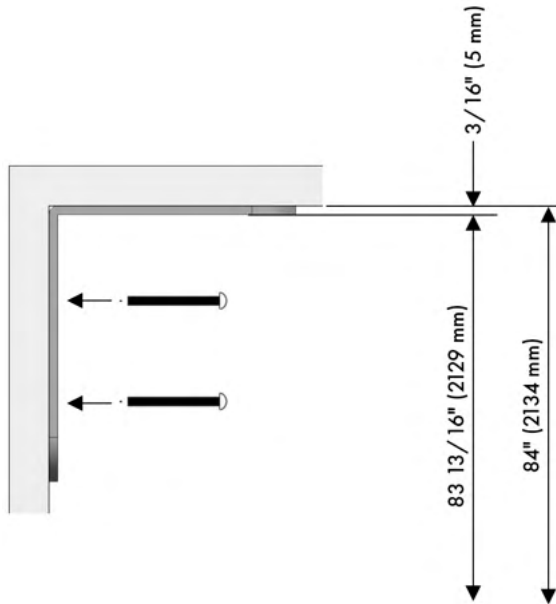
INSTALLATION

MOUNTING THE ANTI-TIP BRACKETS

- Use the hammer to tap anti-tip anchors (page 10, Item No. 8) into the wall.



- Fit the anti-tip brackets into their places, using four screws (page 10, Item No. 8) for each. You must use both brackets to ensure safety of the product.



WARNING

- If you are not sure whether the anti-tip brackets are fastened to the wall as securely as they should be, you can use alternative anti-tip methods.
- If there are cabinets at the back wall of the refrigerator, please make sure the cabinets are secured to the wall. For this, you need to ensure the back wall of the cabinets are secured to the concrete back wall with suitable connection parts.

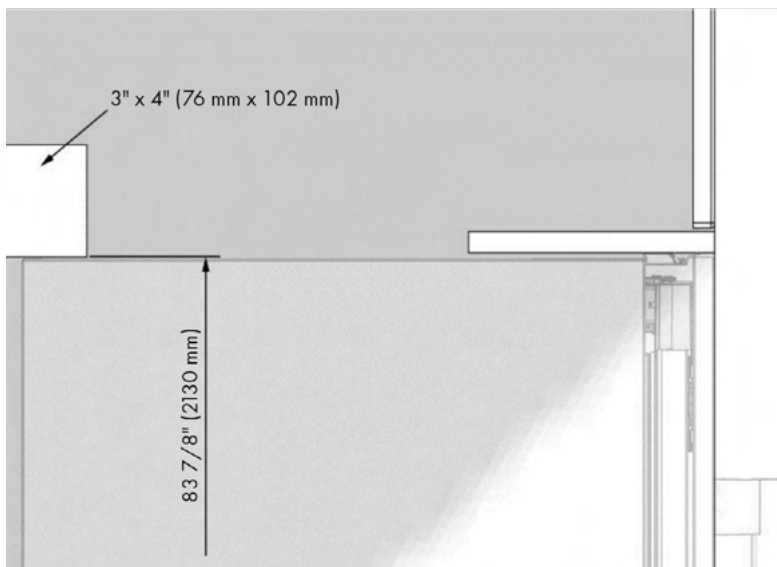
INSTALLATION

ALTERNATIVE ANTI-TIP METHOD

- If the anti-tip brackets cannot be connected securely, you must use the alternative method outlined below.
- In this method, you can use wooden blocks (not provided) to avoid the risk of the unit tipping over. They must be installed as illustrated in the figure below.
- There must be no clearance between the product and the wooden blocks.
- Minimum section dimensions of the wooden block must be 3" by 4" (76 mm by 102 mm). The width of the blocks must be equal to the clearance where it will be installed.
- An additional block must be used if the niche depth is more than anticipated. The wooden block must contact the product with a maximum depth of 2" (51 mm).
- To determine the location for the wooden block, mark it on the rear wall, select suitable screws, and connect safely.



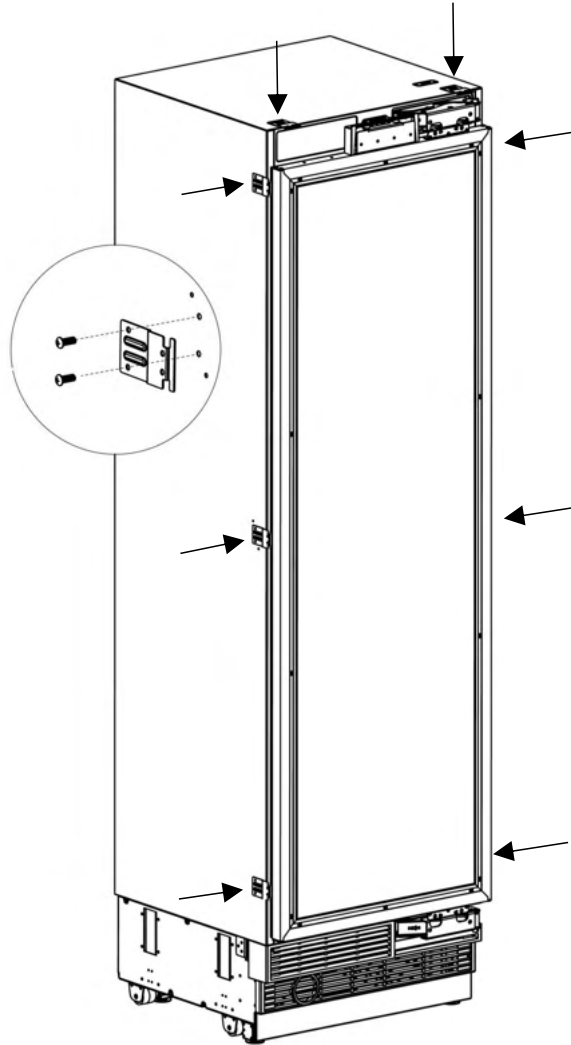
The number and type of the screws to be used for the wooden block must be determined so there is a secure connection. Only a professional installer should perform this alternative method.



INSTALLATION

SCREWING THE SIDE AND UPPER BRACKETS

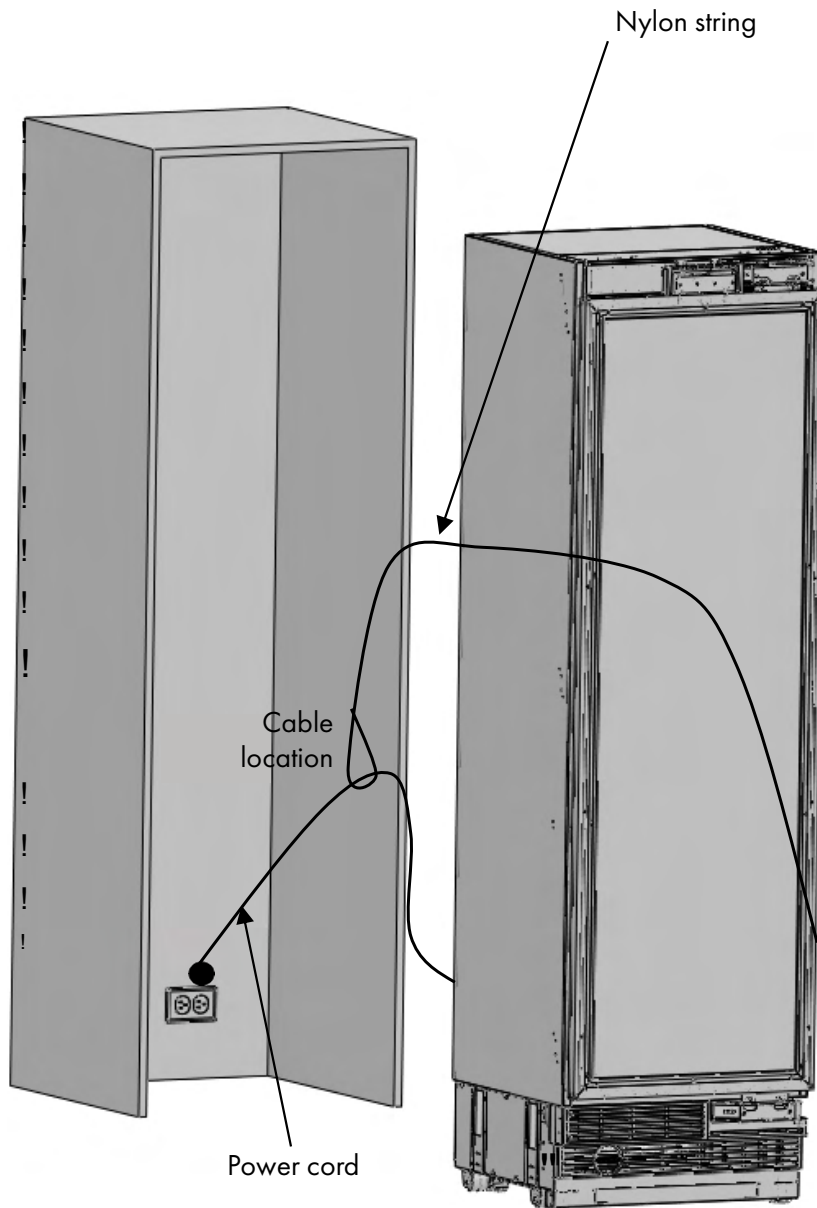
- Secure the cabinet bracket (page 10, Item No. 9) to the unit, with 2 on the top, and 3 on every side.
- Use the truss washer head screws (page 10, Item No. 11) to tighten.



INSTALLATION

PLACING THE UNIT INTO THE CABINET

- Push the product carefully towards the cabin to place it.



- The plug of the product must be accessible after installation.

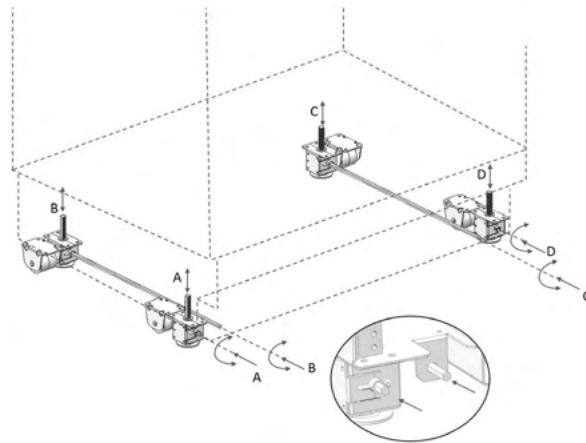
INSTALLATION

ADJUSTING THE REFRIGERATOR HEIGHT

- With the unit now aligned, push it carefully into the cabinet cutout.
- Next, the feet need to be raised in order to secure the product to the anti-tip brackets.
- You may use a socket wrench with a 1/4" hex socket to adjust leg height; we recommend using a socket wrench by hand to avoid the risk of stripping the legs. **Do not use an impact drill to adjust the feet; doing so may cause damage.**



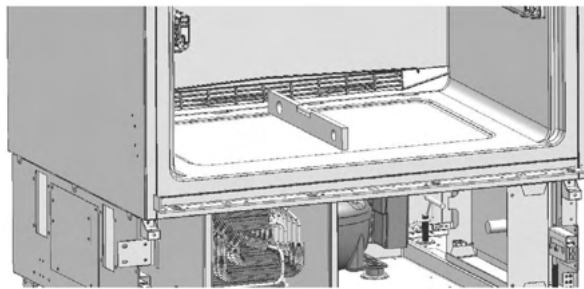
It's important to raise the front feet first to reduce risk of the appliance falling forward, which would increase the risk of injury.



A/D — Turn the key clockwise to lift the front

B/C — Turn the key clockwise to lift the rear

- After adjusting the feet, check if the product is level in both width and depth directions. You may readjust as needed after panels are installed.

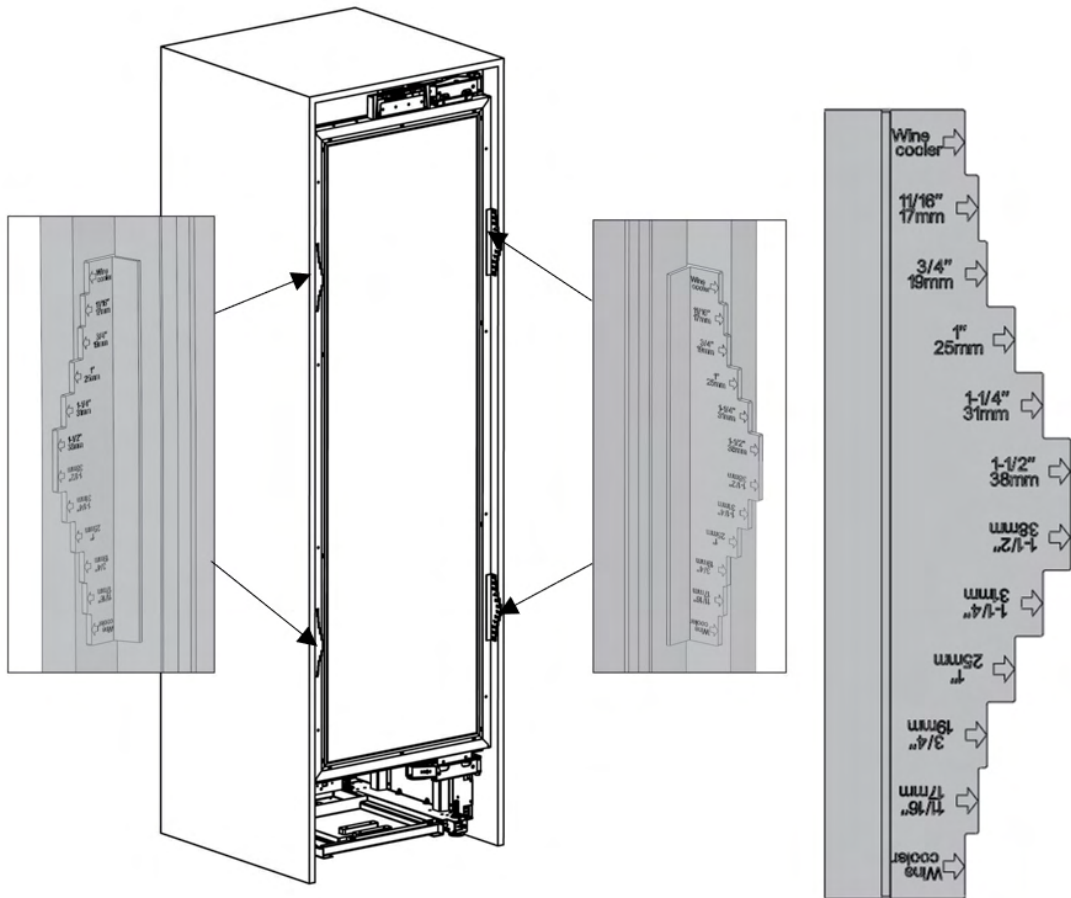


- The maximum height the adjustable feet can reach is 1 9/16" (40 mm), and the maximum product height is 85 3/8" (2169 mm).

INSTALLATION

USING THE POSITION ALIGNMENT GAUGE

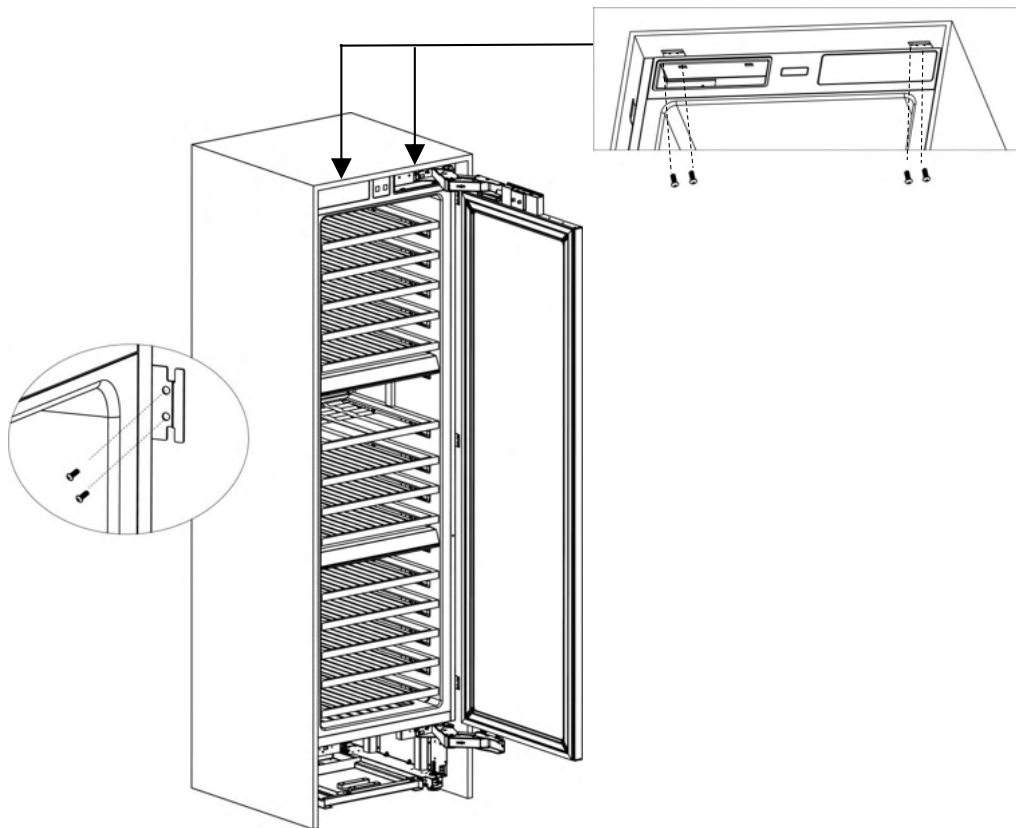
- Position of the level adjustment must be adjusted according to the thickness of the door using the position adjustment jig (page 10, Item No. 12).



INSTALLATION

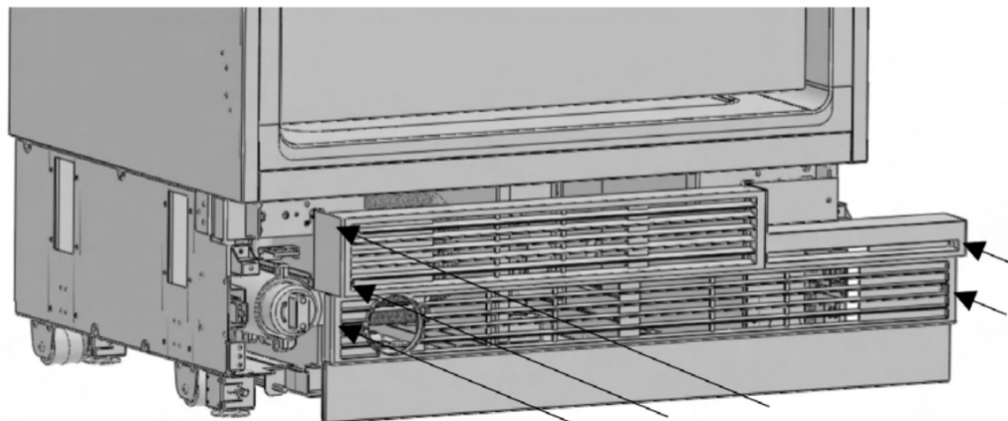
MOUNTING THE CABINET BRACKETS

- Attach the brackets to the cabinet with 16 screws (page 10, Item No. 10).



ATTACHING THE VENT HOLE ASSEMBLY

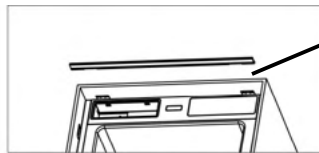
- Use 5 screws to attach the vent hole assembly.



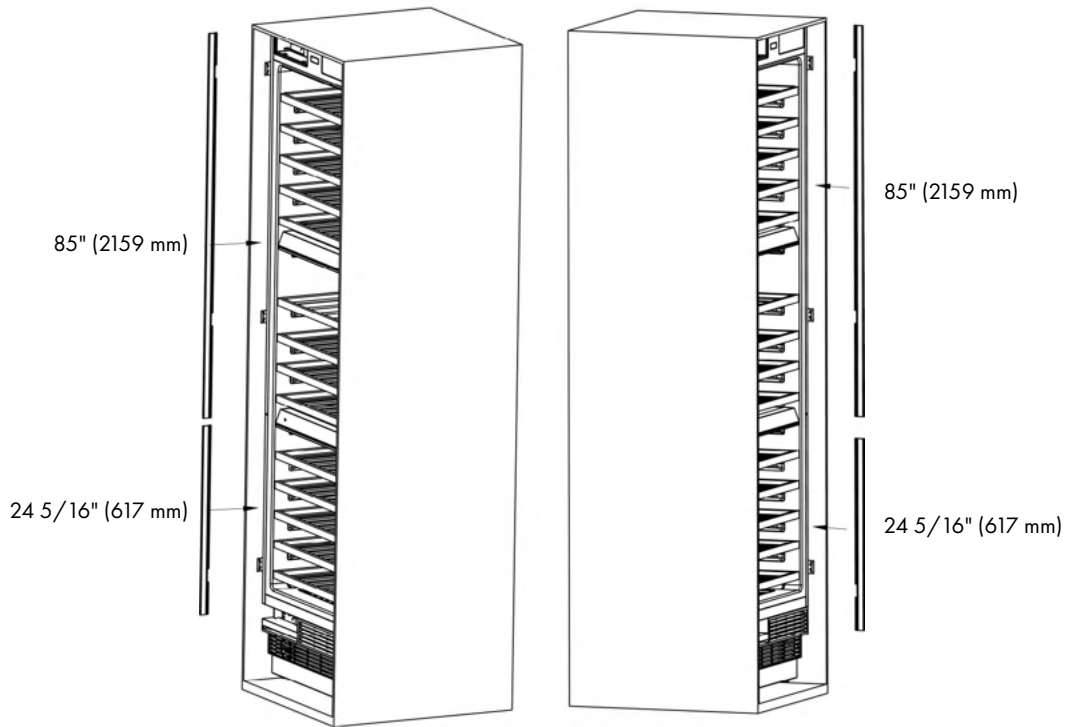
INSTALLATION

ATTACHING THE TRIM PIECES

- Attach the decorative parts (page 10, Item No. 18) onto the right/left/upper connection brackets.



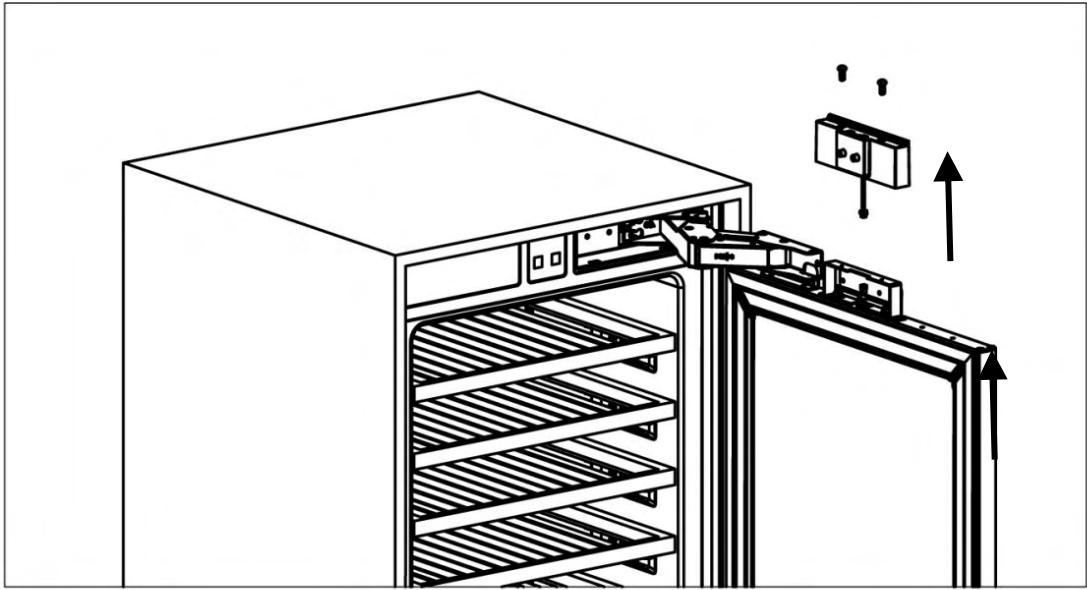
RBCWVR-18/RBCWVL-18: 18" (457 mm)
RBCWV-24: 24" (610 mm)



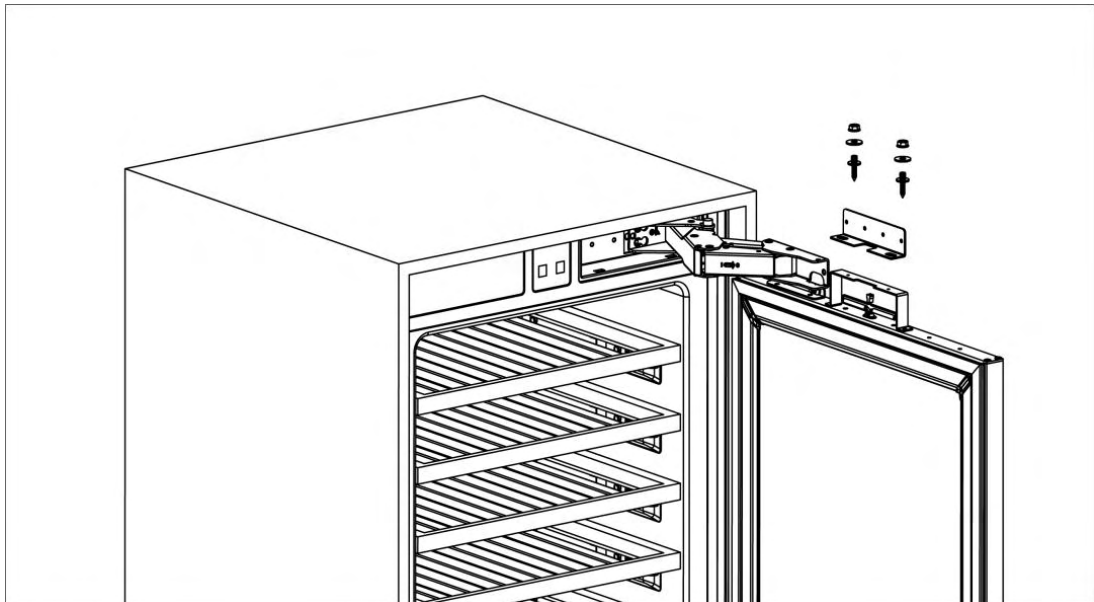
INSTALLATION

REMOVING THE PANEL - ADJUSTMENT MECHANISMS ON THE REFRIGERATOR

- Remove screws to take out the top mounting bracket cover.

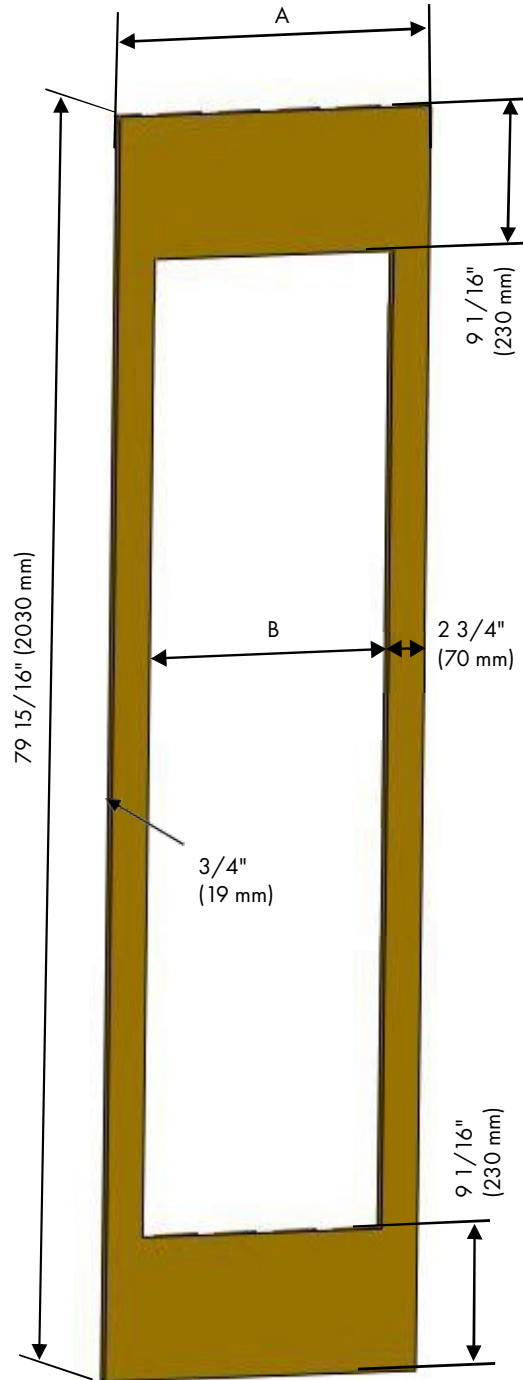


- Remove the upper and lower adjusting mechanism assemblies from the door.



INSTALLATION

PREPARING PANEL DOOR

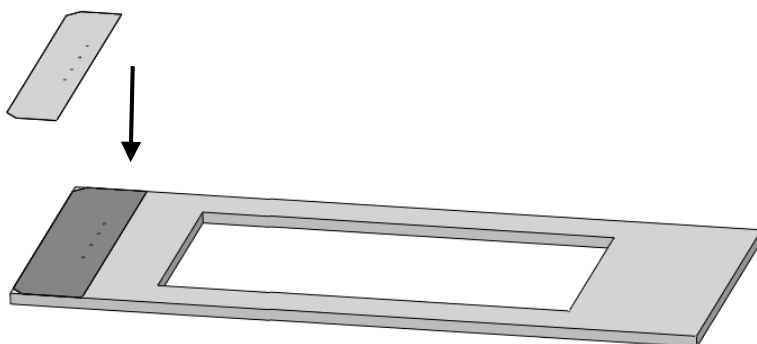


	RBCWVR-18 & RBCWVL-18	RBCWV-24
A	$17 \frac{3}{4}$ " (451 mm)	$23 \frac{3}{4}$ " (603 mm)
B	$12 \frac{1}{4}$ " (311 mm)	$18 \frac{1}{4}$ " (463 mm)

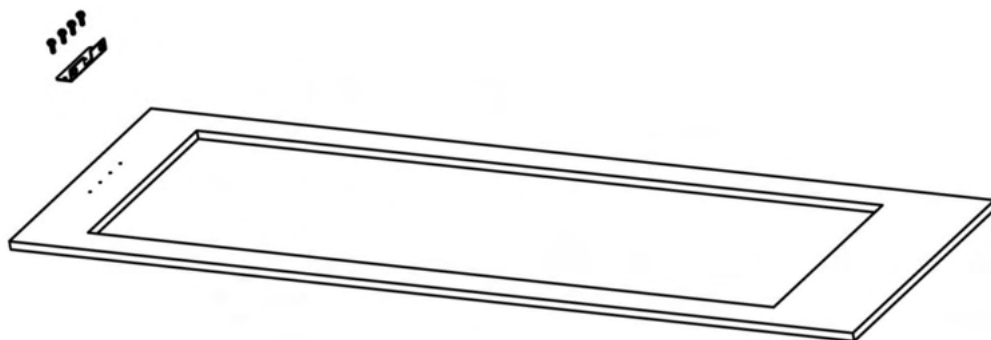
INSTALLATION

PREPARING PANEL DOOR

- When marking, you can use the Door panel preparation template (page 10, Item No. 17) provided with the product.



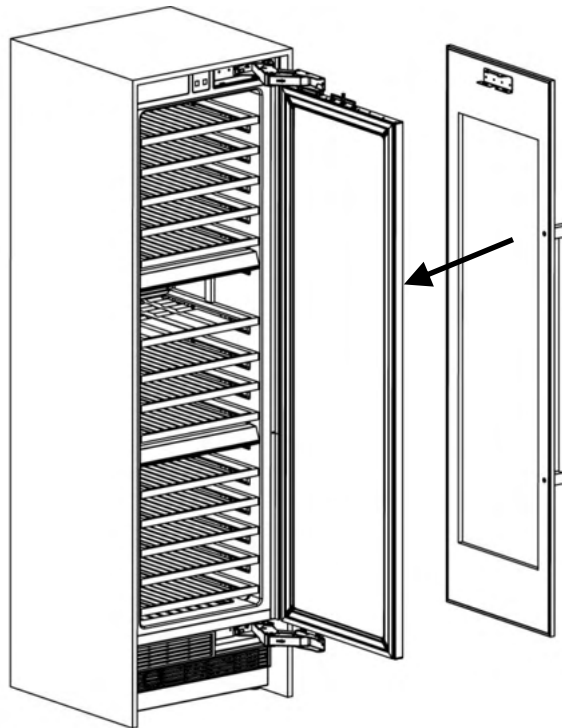
- Install bracket using counter sunk head screws.



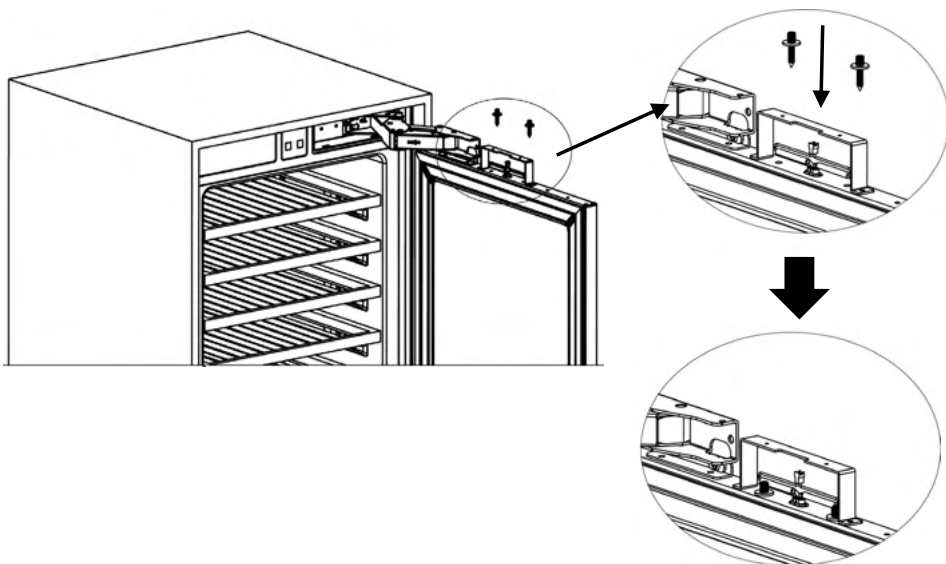
INSTALLATION

INSTALLING THE DOOR PANEL

- Attach the panel to the door



- Use 2 screws to secure door panel.



INSTALLATION

INSTALLING THE DOOR PANEL

ATTACHING THE DOOR HANDLES

If using a ZLINE handle, the provided mounting studs need to be installed on the decorative side of the panel (*Figure 1*); secure the other side of the screw in place with a washer and nut, and attach the handle (page 10, Item No. 1) with an Allen wrench (page 10, Item No. 2) as shown below (*Figure 2*).

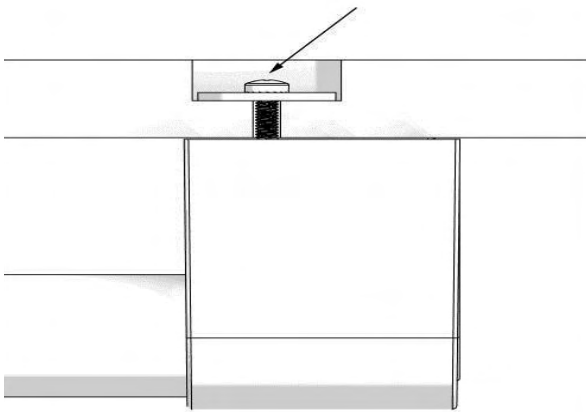


Figure 1

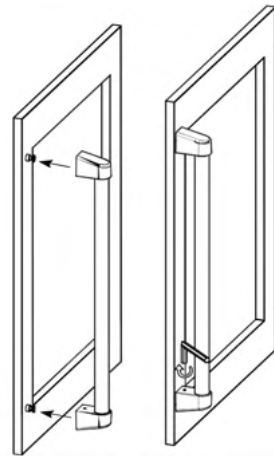


Figure 2



WARNING

Handle connection holes must be adjusted according to the handles to be used in kitchen design.

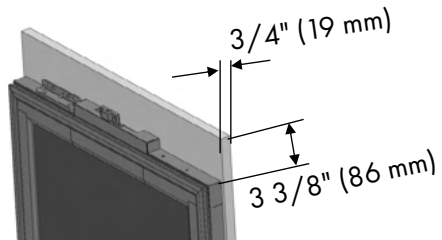


WARNING

NOTE: Minimum thickness of the side walls is 5/8" (16 mm). The minimum thickness of the doors to be attached to the product must be 3/4" (19 mm). For a 25" (635 mm) flush inset depth, the maximum door panel thickness is 15/16" (24 mm).

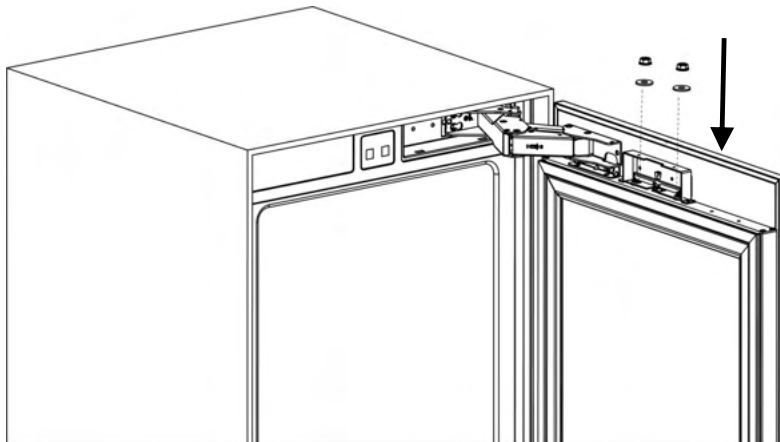
INSTALLATION

INSTALLING THE DOOR PANEL

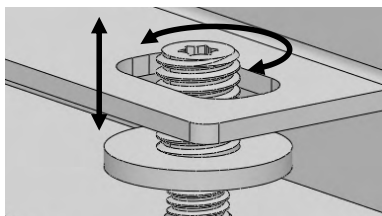


Assembly dimension between panel and fridge door

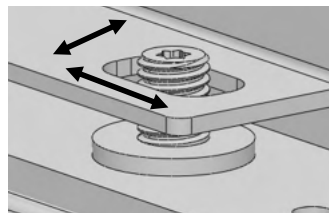
- Adjust the door panel using the two securing bolts.



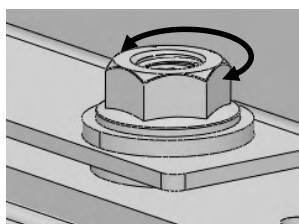
- How to align the door panel upper part with bolts:



Up & down



Front & back
Left & right

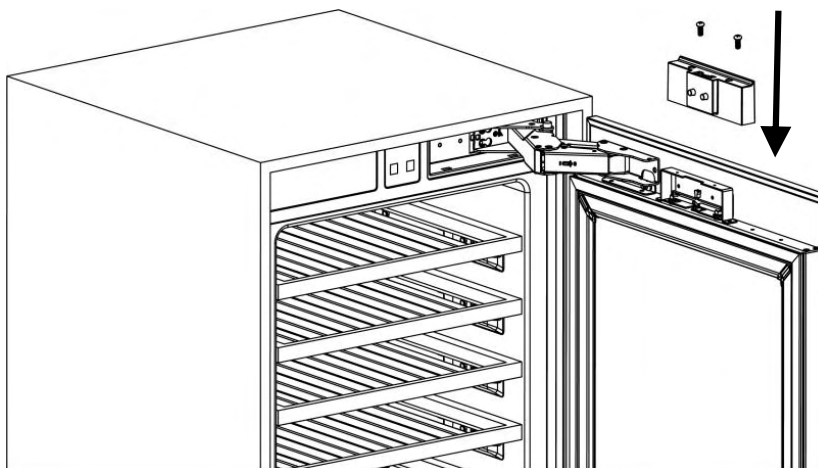


Securing door panel completely

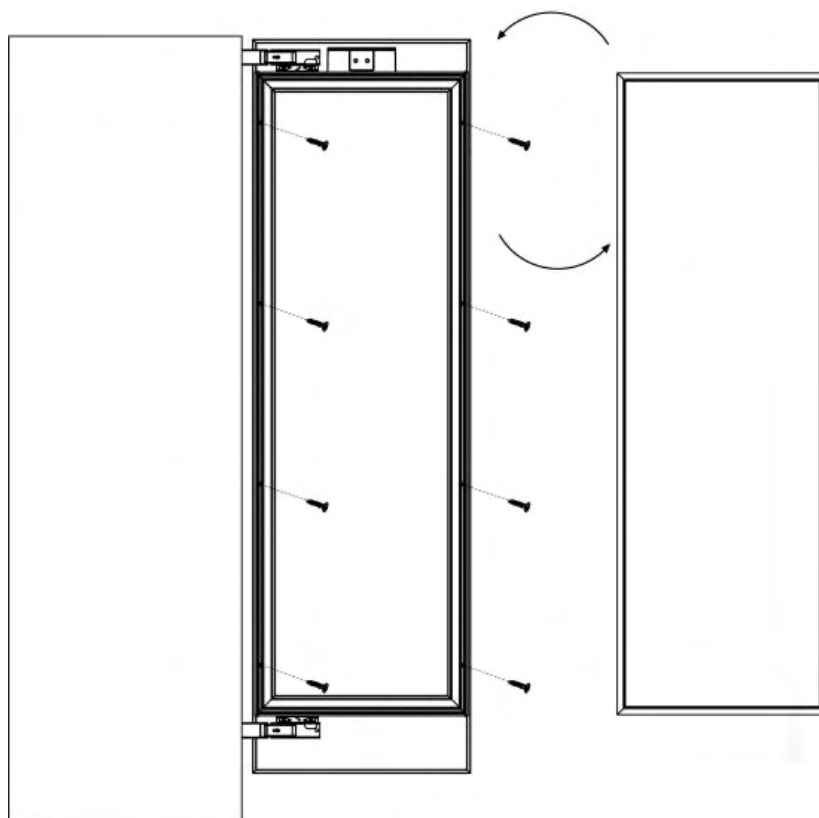
INSTALLATION

INSTALLING THE DOOR PANEL

- Use the screws to secure the upper decoration cover.



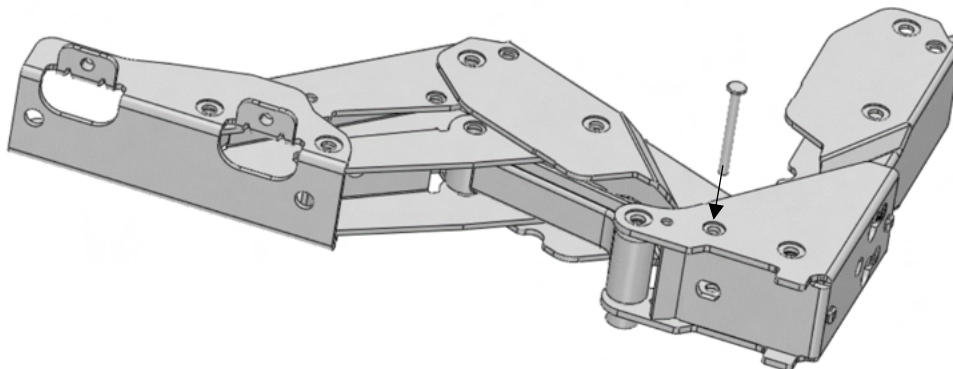
- Gently remove the door gasket, then use the ST4 x 35 screws (page 10, Item No. 13) to secure the left and right sides



INSTALLATION

INSTALLING THE DOOR PANEL

INSTALLING THE LIMIT PINS



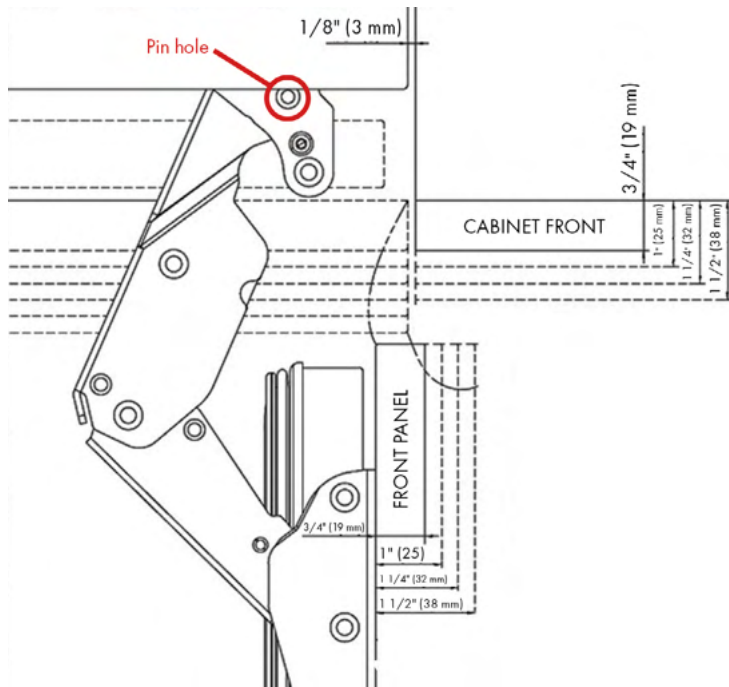
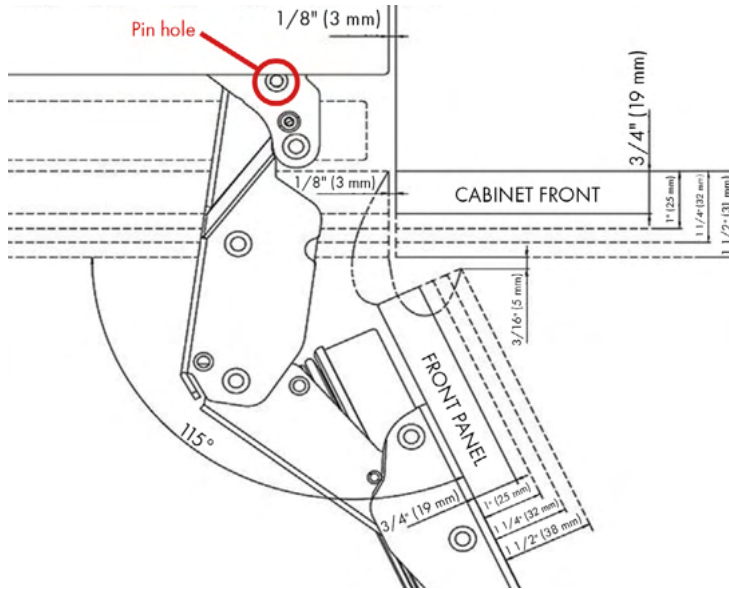
- Limit pins (page 10, Item No. 16) should be inserted in the upper hinge and lower hinge

INSTALLATION

INSTALLING THE DOOR PANEL

INSTALLING THE LIMIT PINS

- The door of your refrigerator can open by 115° maximum. If the door is going to open to this degree, you can choose the following thickness levels depending on your door panels:

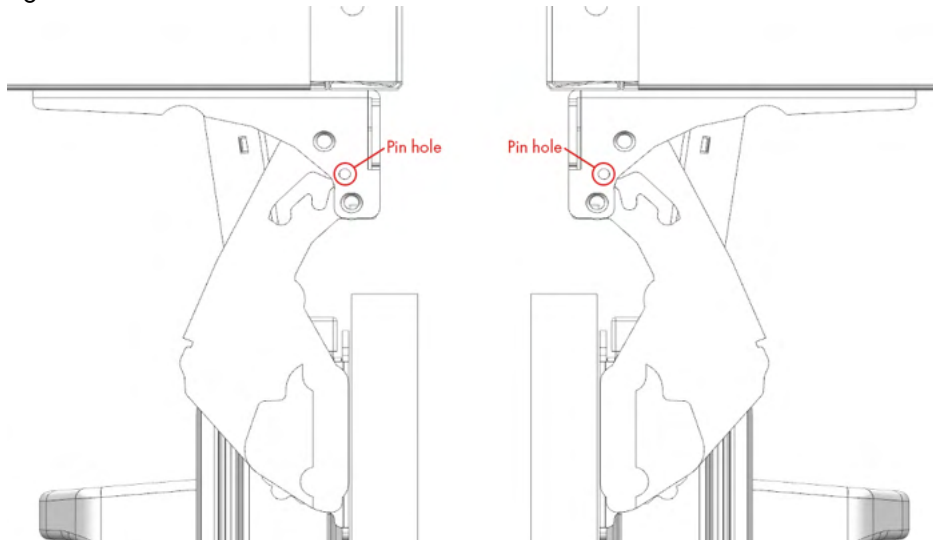


INSTALLATION

INSTALLING THE DOOR PANEL

INSTALLING THE LIMIT PINS

- If the door thickness is more than 1 1/2" (38 mm), the door should not open more than 90°. You must use a limiting pin on the hinge.
- Pin must be fully seated in the bracket or the door will not close properly.
- To limit the opening degree of your door to 90°, insert one 90° limiting pin (page 10, Item No. 6) into the hole on the bottom hinge outlined in the images above.
- Use both of the provided limiting pins on the bottom hinge of both doors as outlined in the images below.



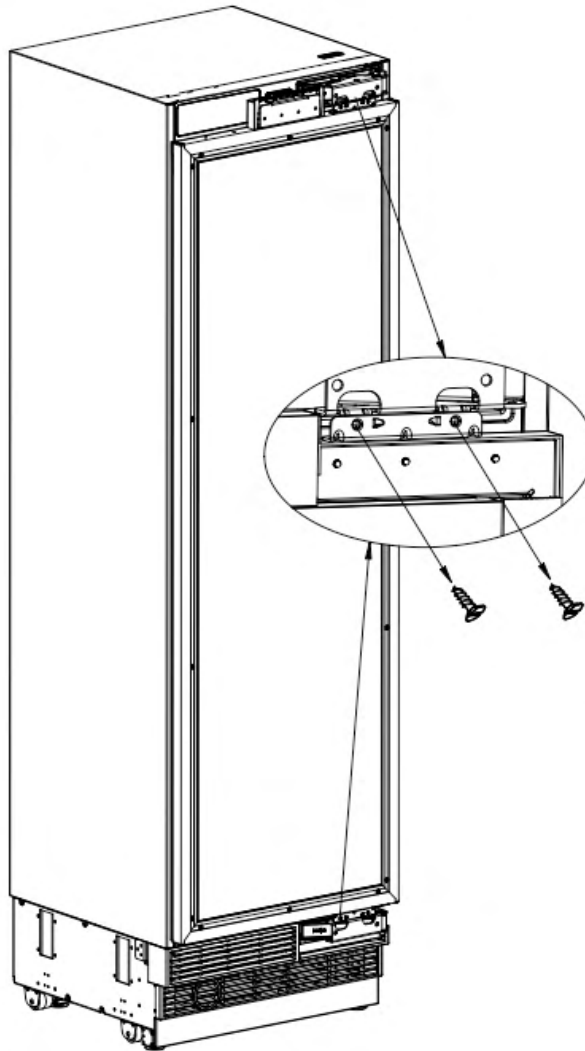
INSTALLATION

CHANGING THE DOOR OPENING DIRECTION (RBCWV-24)

Should you desire to reverse the opening direction of the door, please follow the instructions below. Safely reversing the door swing of your appliance requires at least two people.

NOTE: This process is only available for 24" (610 mm) units.

- Remove the hinge connection screws from the hinge brackets.



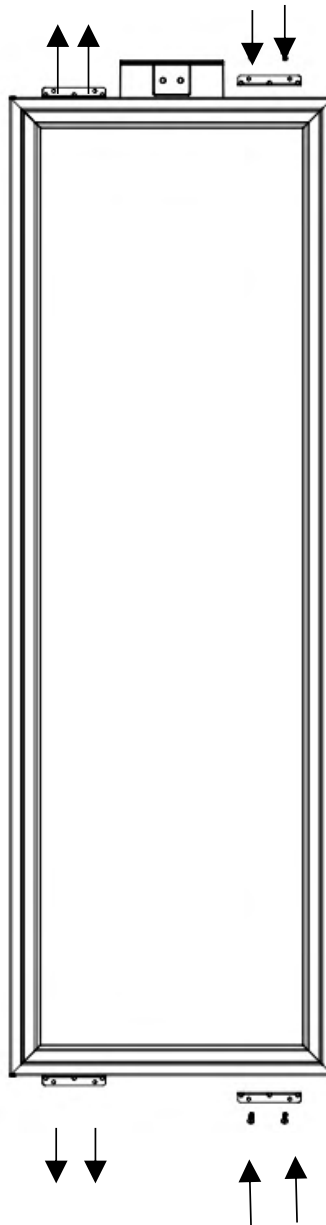
ATTENTION

The clad door will be released when these screws are removed. You must take measures to prevent the door from falling. You can tape the door panel to the inner door or ask for help from another person.

INSTALLATION

CHANGING THE DOOR OPENING DIRECTION (RBCWV-24)

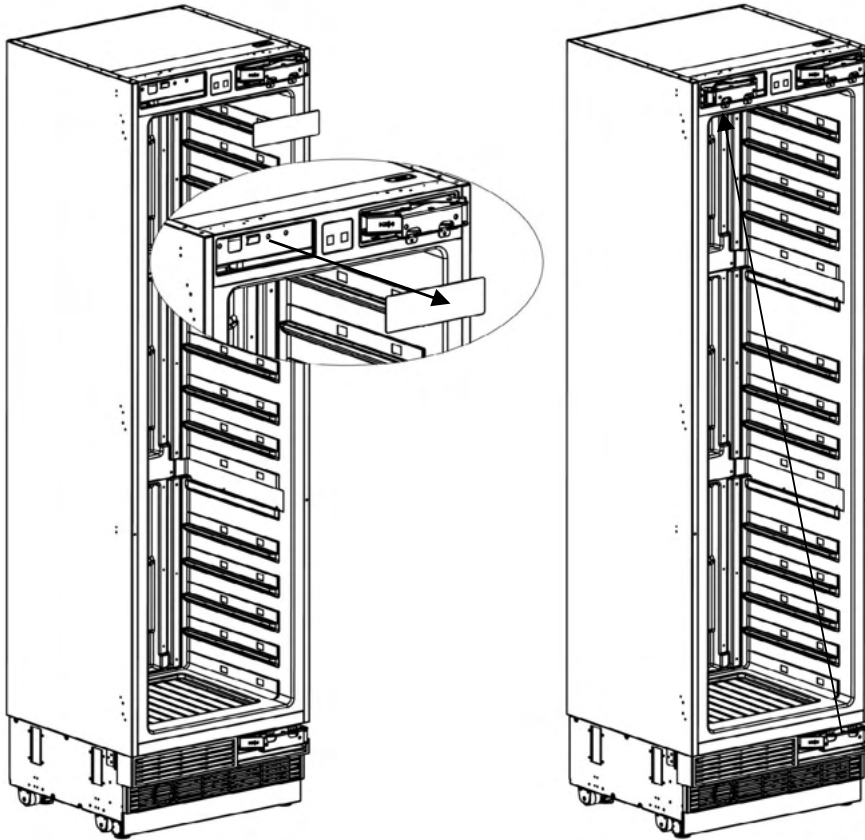
- Take off the door and lay it down on a table.
- Remove the hinge brackets from the refrigerator door.
- Take out the new hinge brackets from the parts bag and screw them on the reverse side.



INSTALLATION

CHANGING THE DOOR OPENING DIRECTION (RBCWV-24)

- Remove the hinge caps located at the other side where you will secure the hinges.
- Remove the lower right hinge by loosening its 2 screws and secure it to its slot at the upper left side.

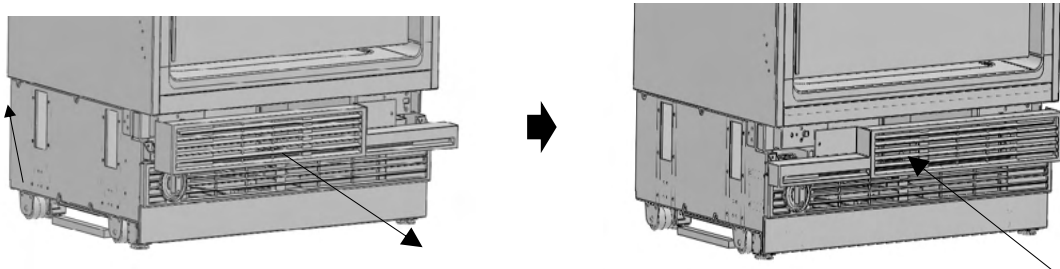


INSTALLATION

CHANGING THE DOOR OPENING DIRECTION (RBCWV-24)

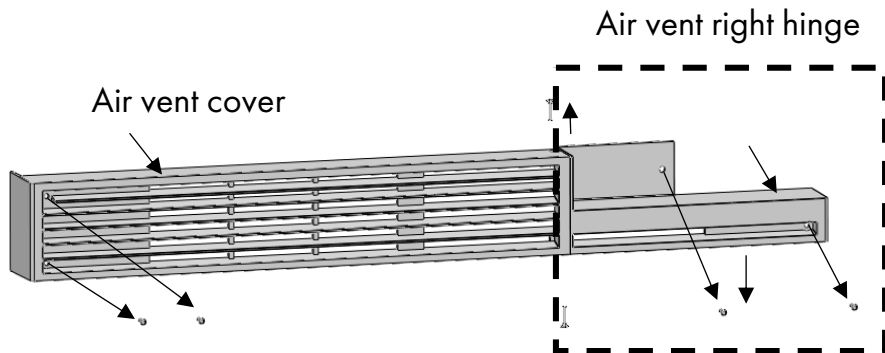
AIR VENT UPPER PART DIRECTION CHANGE

Remove the upper air vent part and change the direction as shown below.

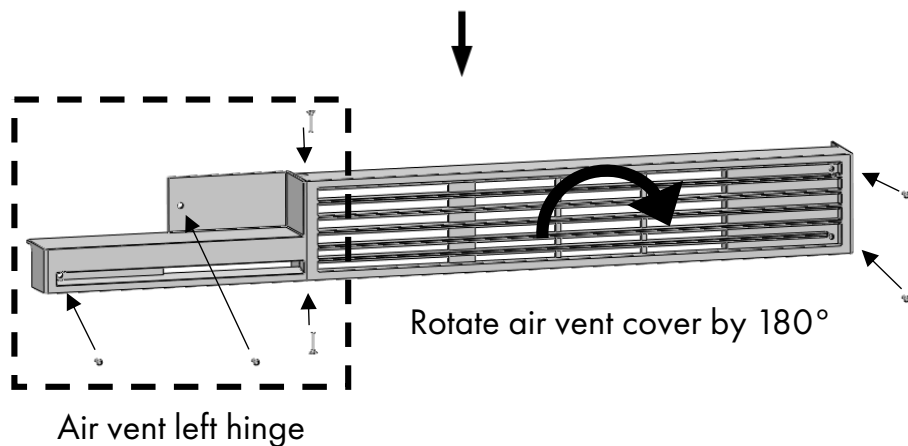


How to change the air vent upper part direction

- Air vent right hinge (page 10, Item No. 14)



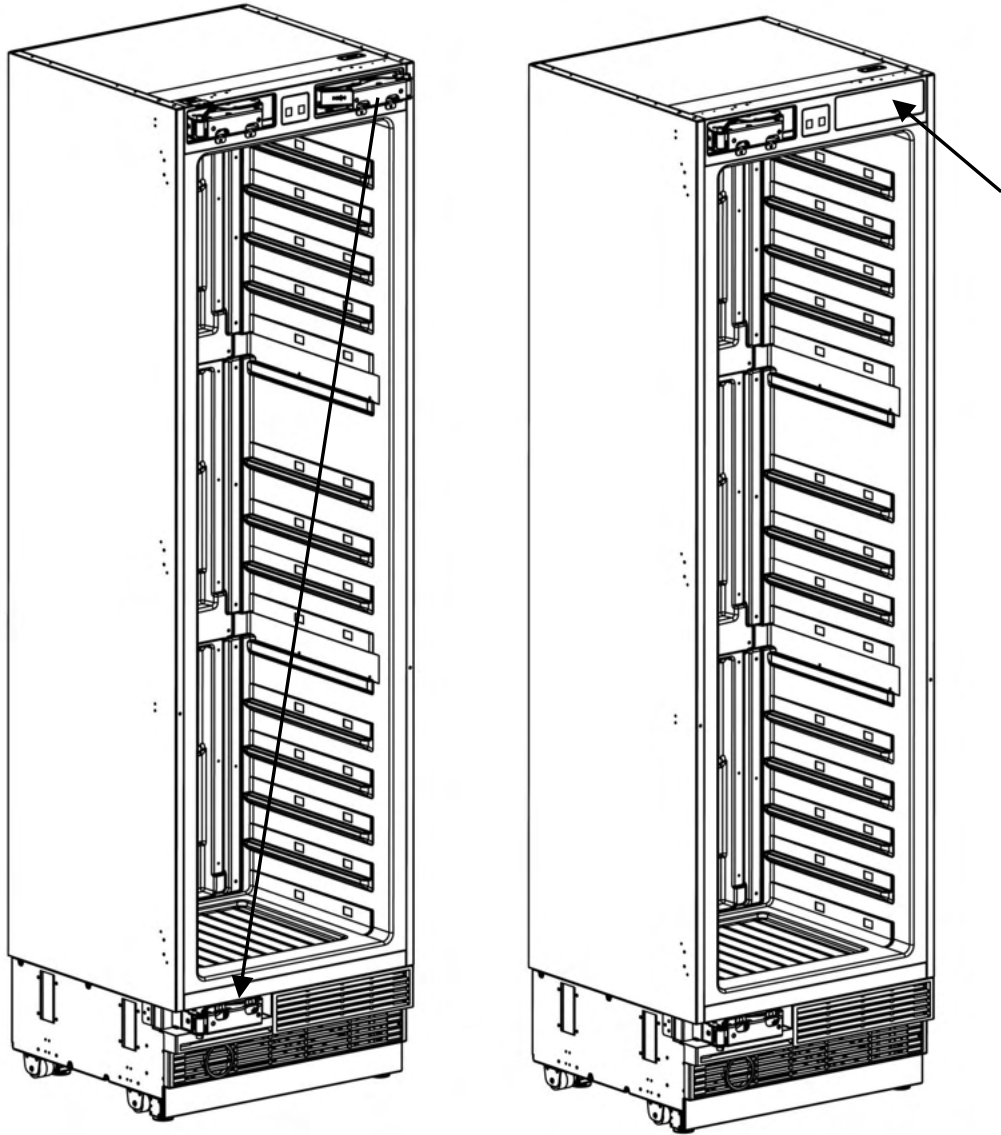
- Air vent left hinge (page 10, Item No. 15)



INSTALLATION

CHANGING THE DOOR OPENING DIRECTION (RBCWV-24)

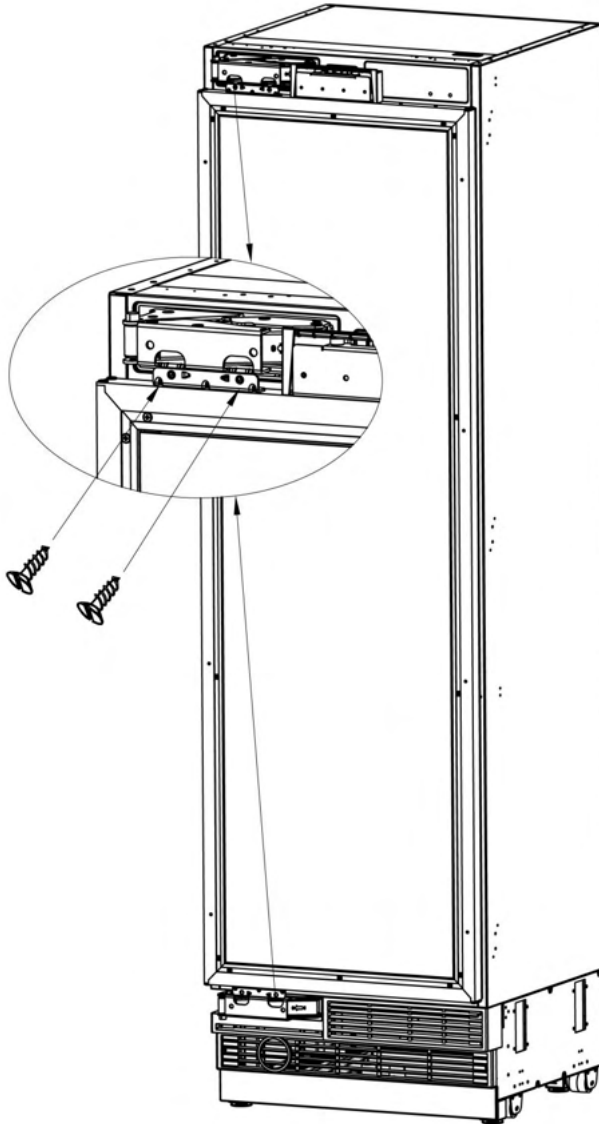
- Remove the upper right hinge by loosening its 2 screws and secure it to its slot at the lower left side.
- Attach the hinge slot caps removed from the left side to the hinge caps on the right side.



INSTALLATION

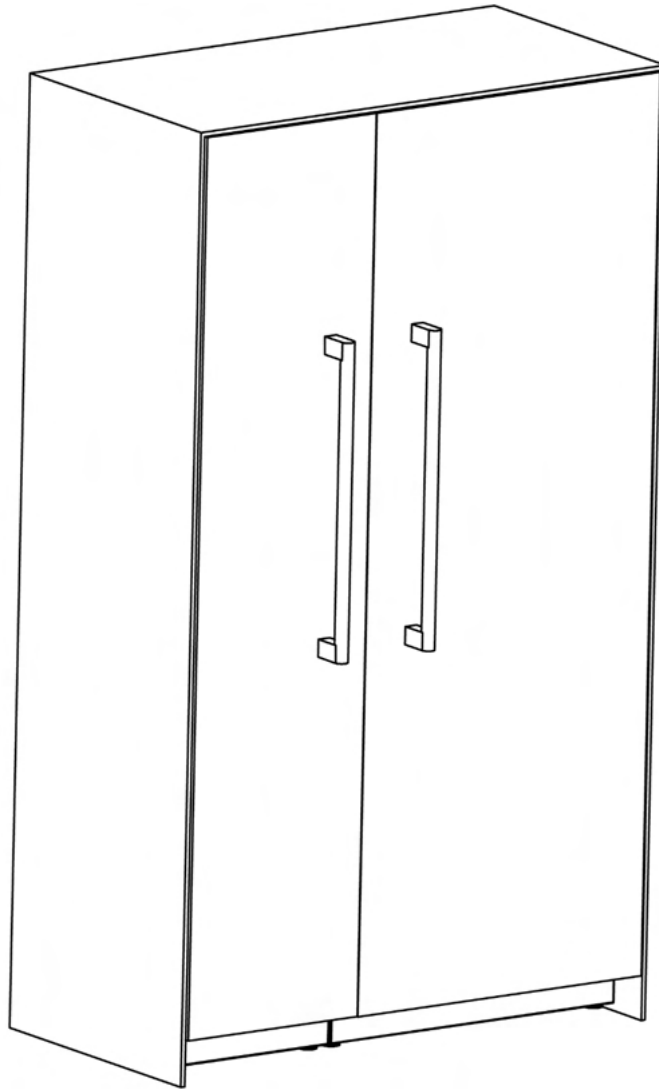
CHANGING THE DOOR OPENING DIRECTION (RBCWV-24)

- Place the door on the refrigerator and secure it with 4 screws.



DUAL CABIN INSTALLATION

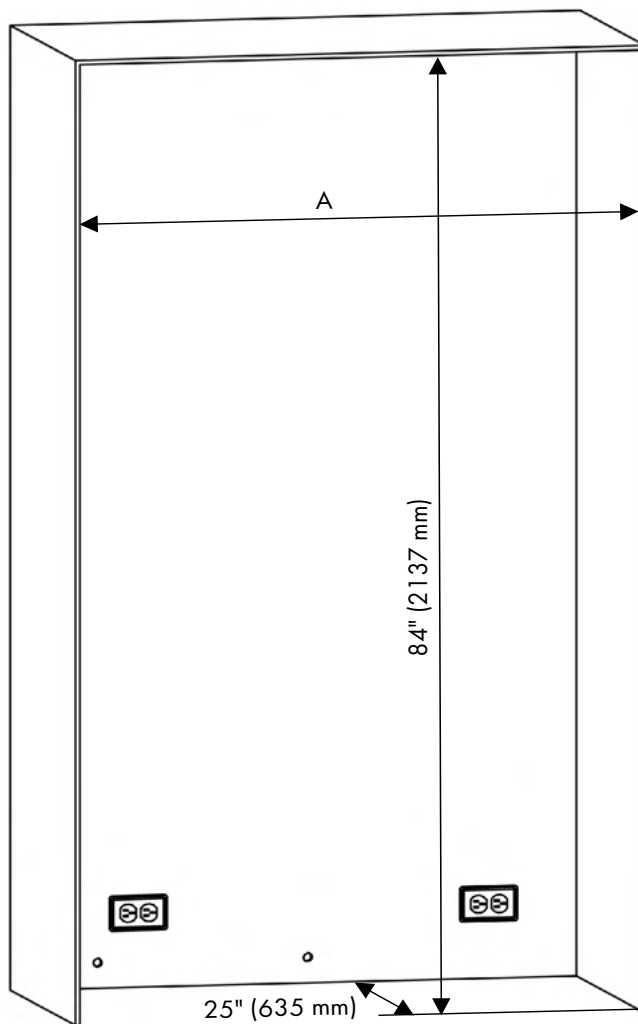
DUAL CABIN INSTALLATION



DUAL CABIN INSTALLATION

CABINET DIMENSIONS

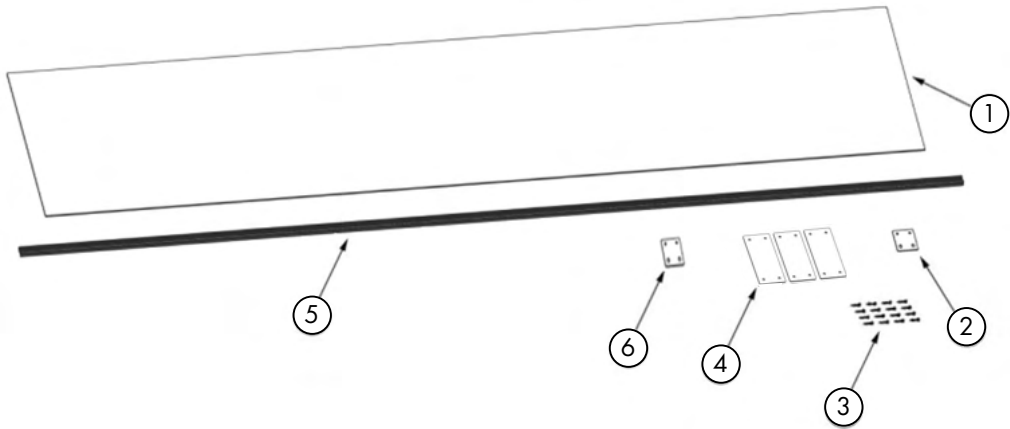
- Since all kitchen layouts vary, the recommended dimensions below must be checked by a qualified professional before starting installation.




Category	18" + 24"	24" + 24"
A	42 1/8" (1070 mm)	48 1/8" (1222 mm)

DUAL CABIN INSTALLATION

JOINING KIT PARTS PROVIDED

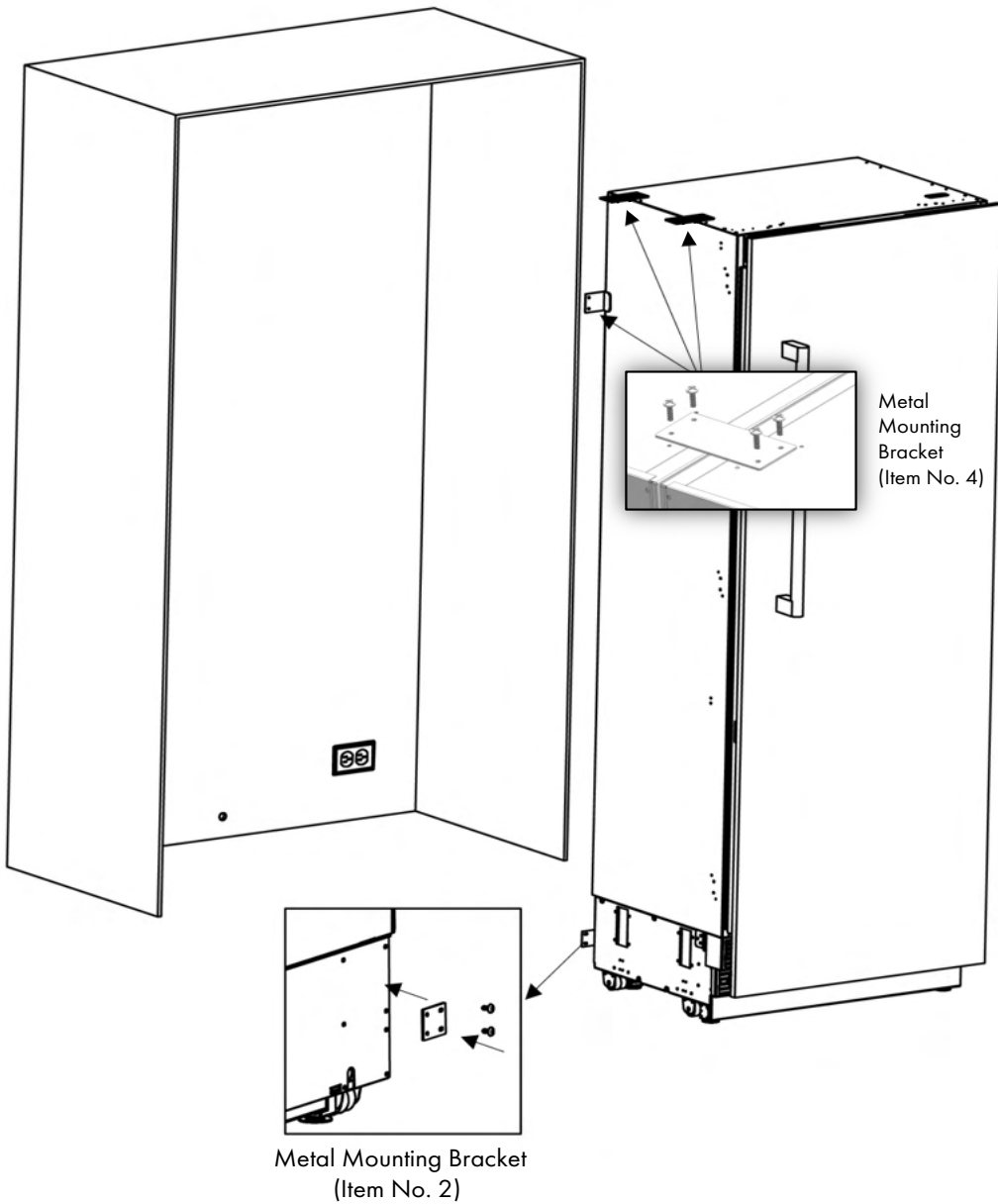


PART NAME	SPECIFICATION	IMAGE	QTY
1. Adhesive foam divider	1/8" x 15 3/4" x 68 7/8" (3 mm x 400 mm x 1749 mm)	-	1
2. Metal mounting bracket	2 3/16" x 1 5/8" (56 mm x 41 mm)	-	1
3. Mounting screws	M4 x 12 mm		16
4. Metal mounting bracket	-	-	3
5. Center divider trim	73 7/8" (1876 mm)	-	1
6. Connecting bracket	1 1/8" x 1 7/16" (29 mm x 36 mm)	-	1

DUAL CABIN INSTALLATION

MOUNT UPPER BRACKETS AND LOWER BACK BRACKET TO CONNECT REFRIGERATORS

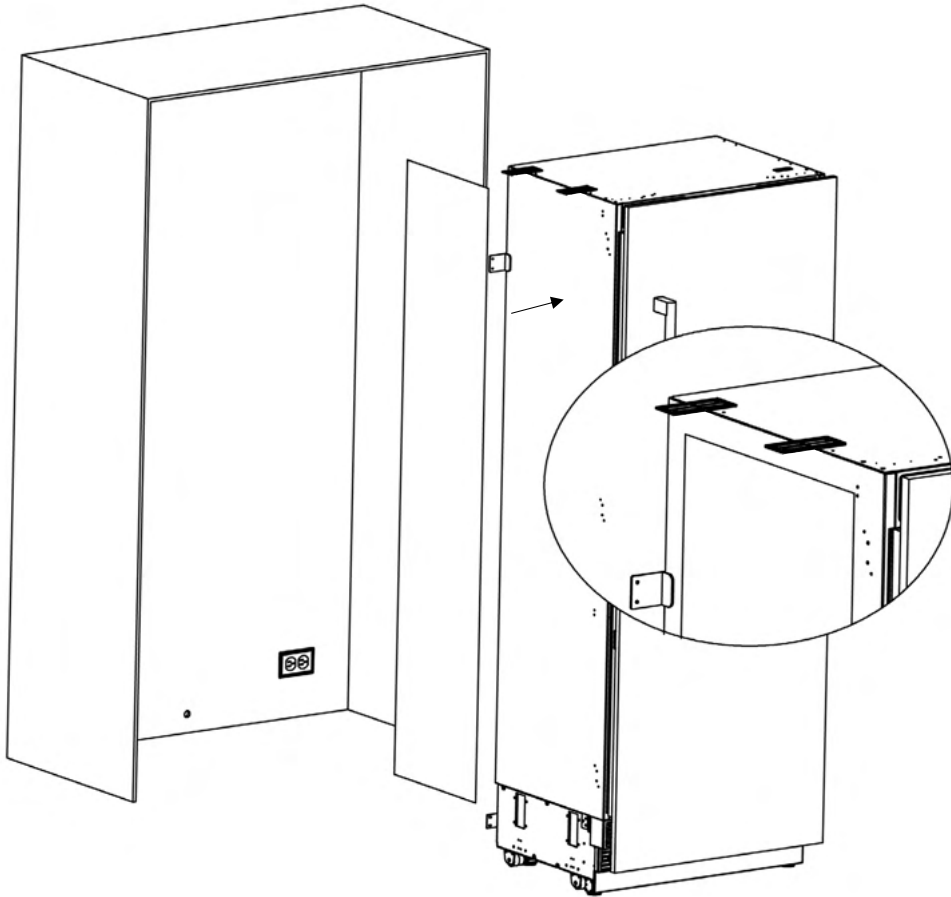
1. Using mounting screws, (page 51, Item No. 3) secure the metal mounting brackets (page 51, Item Nos. 2 and 4) that are going to be used to connect two refrigerators together to the locations as outlined in the below figure.



DUAL CABIN INSTALLATION

MOUNT UPPER BRACKETS AND LOWER BACK BRACKET
TO CONNECT THE UNITS

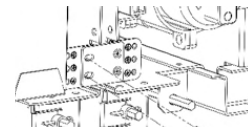
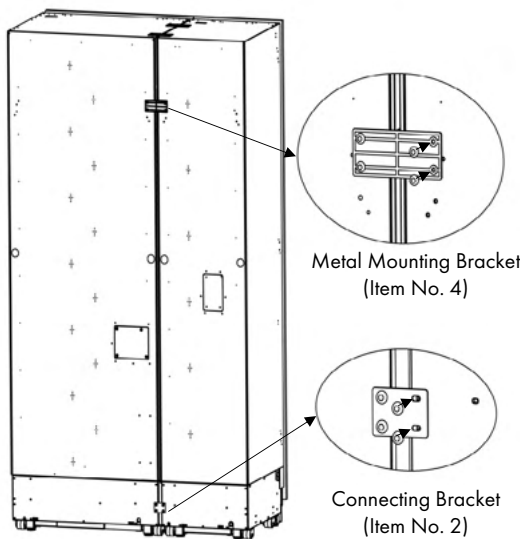
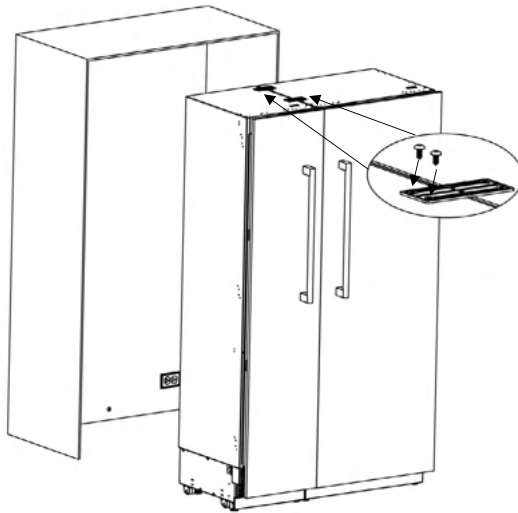
Stick the adhesive foam divider (page 51, Item No. 1) to the side panel so that the sponge remains between the two cabins.



DUAL CABIN INSTALLATION

PUSH INTO PLACE

- Bring the two units side by side.
- After making sure that they are in alignment, screw the metal mounting bracket (page 51, Item No. 4) to the other refrigerator.
- Screw the metal mounting bracket (page 51, Item No. 2) on the back and screw connecting bracket (page 51, Item No. 6) on the front.



Connecting Bracket
(Item No. 6)

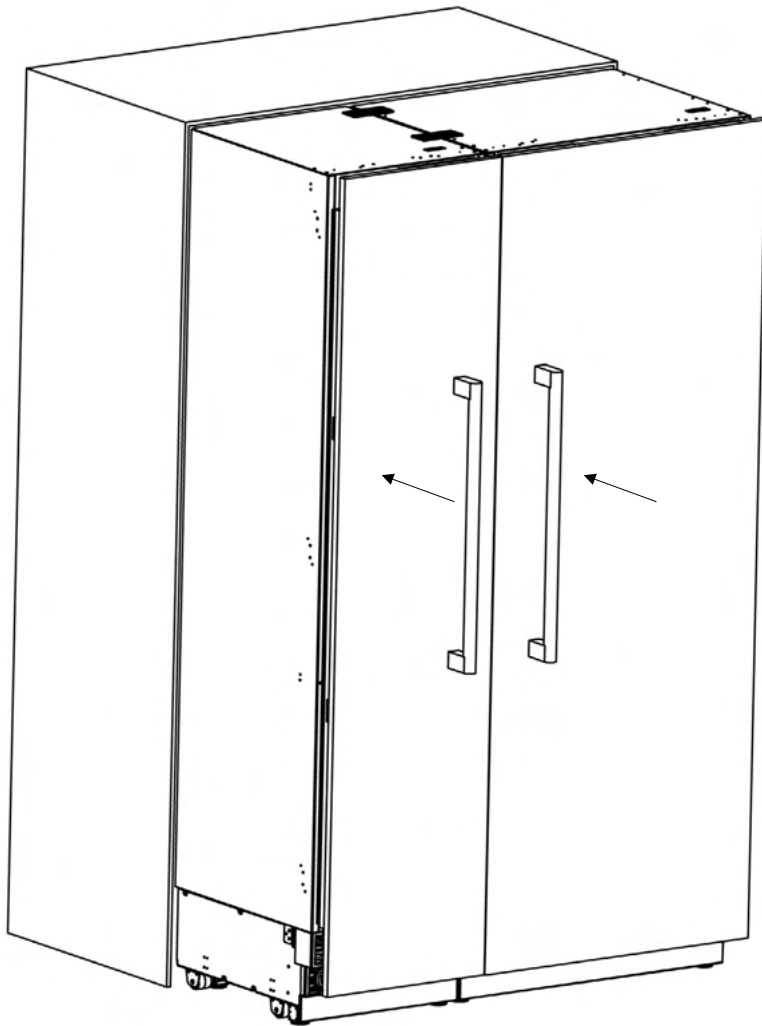


WARNING Units are top-heavy. Take care when installing the product; two-person assembly is highly recommended.

DUAL CABIN INSTALLATION

PUSH INTO PLACE

1. Before pushing into place, install the necessary power and water connections and anti-tip brackets (refer to directions earlier in this manual).
2. Uninstall the door on the left unit and re-orientate the inside drawers and hinges so the handle to the door pulls out to the left — opposite of the door on the right unit — then reinstall the door (refer to directions earlier in this manual).
3. Carefully push the dual unit into the cabinet and ensure there is a 1/8" (3 mm) gap on either side.



Refrigerators are top-heavy and weigh between 250 and 310 pounds (113 and 141 kilograms). The dual unit weighs between 500 and 620 pounds (227 and 281 kilograms) Take care when installing the product; two-person assembly is highly recommended.

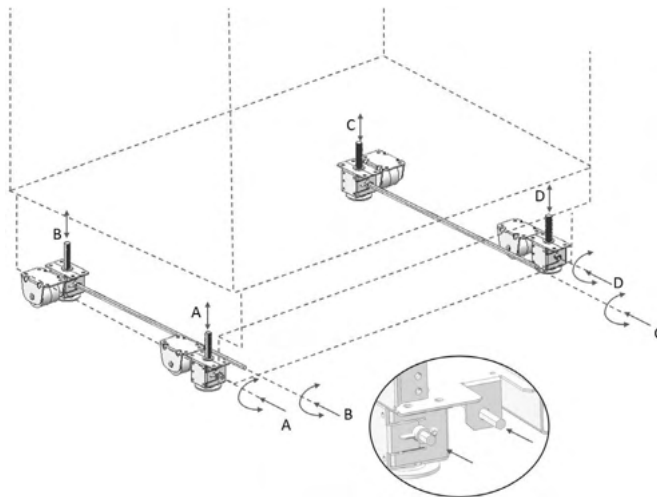
DUAL CABIN INSTALLATION

ADJUSTING THE HEIGHT

- With the dual unit now pushed into the cabinet, the feet need to be raised in order to secure the product to the anti-tip brackets.
- You may use a drill with a 1/4" hex bit or a socket wrench to adjust leg height; we recommend using a socket wrench by hand to avoid the risk of stripping the legs.
- Do not use an impact drill to adjust the feet; doing so may cause damage.



It's important to raise the front feet first to reduce risk of the appliance falling forward, which would increase the risk of injury.



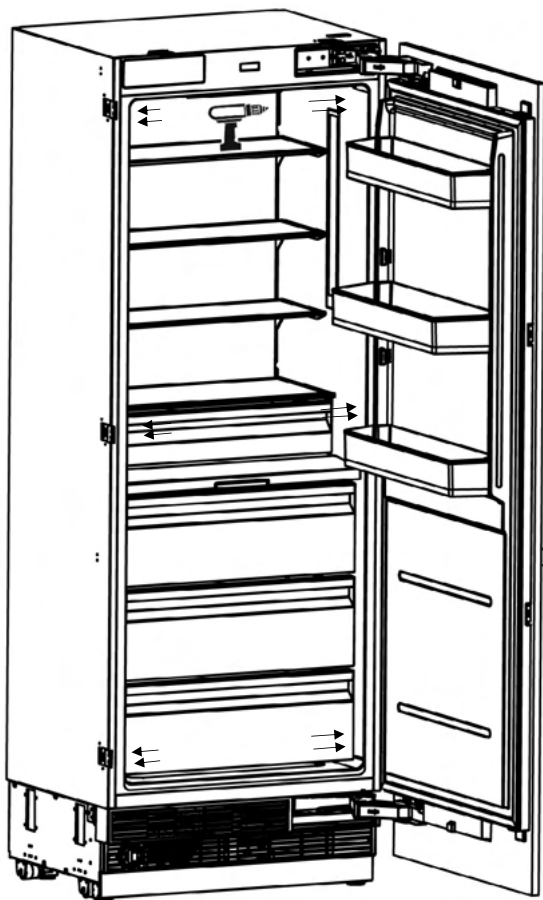
A/D — Turn the key clockwise to lift the front

B/C — Turn the key clockwise to lift the rear

DUAL CABIN INSTALLATION

SCREWING THE CABINET BRACKET ON THE CABINET SIDE WALL

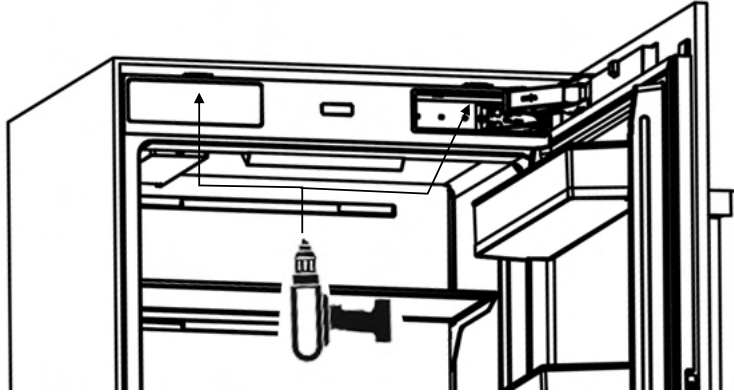
1. Attach the brackets to the cabinet with the remaining screws (page 51, Item No. 3).



DUAL CABIN INSTALLATION

SECURING THE DUAL UNIT INTO THE CABINET CUTOUT

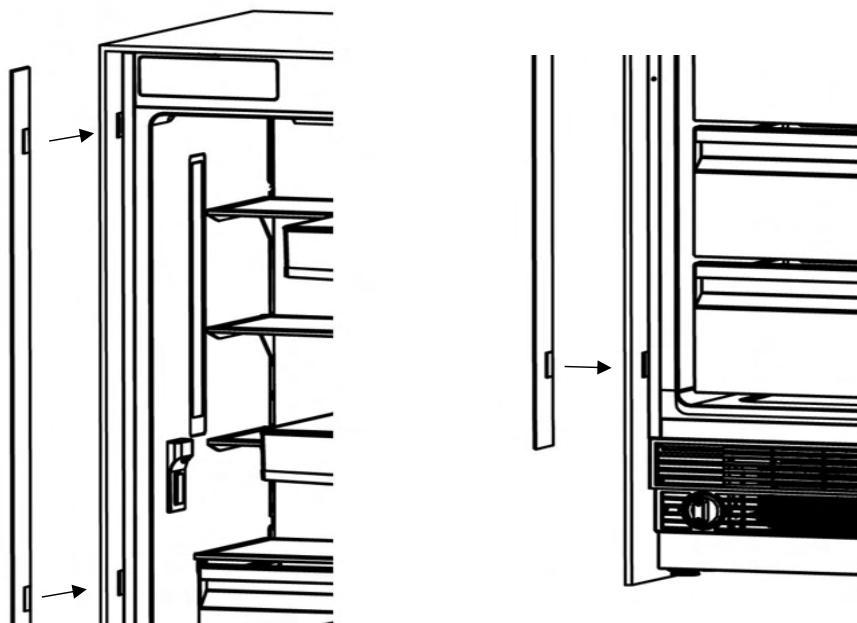
- Using the remaining cabinet mounting bracket screws (page 51, Item No. 3) provided with your parts kit, secure them right unit to the cabinet — 4 screws on top and 6 on each side.
- After the right unit is secured into the cabinet, secure the left unit into the cabinet in the same manner — 4 screws on top and 6 on each side.



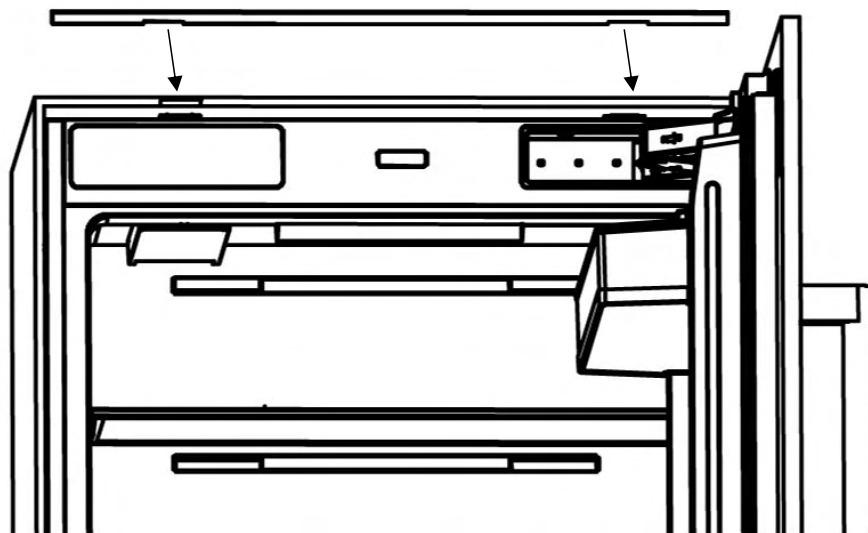
DUAL CABIN INSTALLATION

ATTACHING THE TRIM PIECES

1. Attach the side trim pieces provided with the parts kit onto the outer sides of each unit, covering the cabinet mounting brackets as shown below.



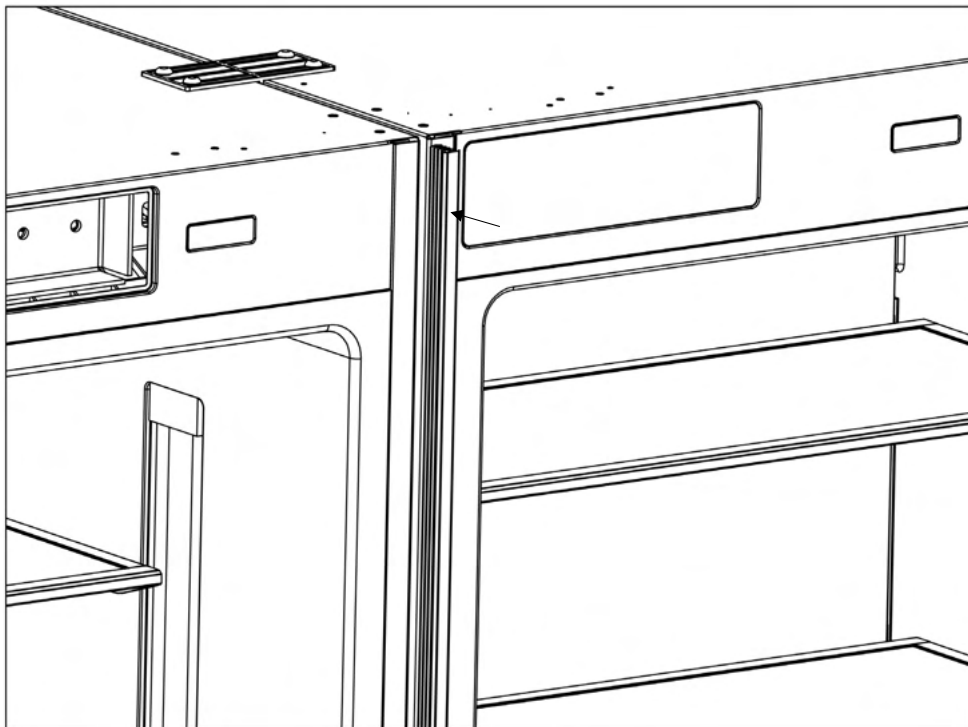
2. Attach the top trim pieces provided with the parts kit onto the tops of both units, covering the cabinet mounting brackets as shown below.



DUAL CABIN INSTALLATION

INSTALL DIVIDER TRIM

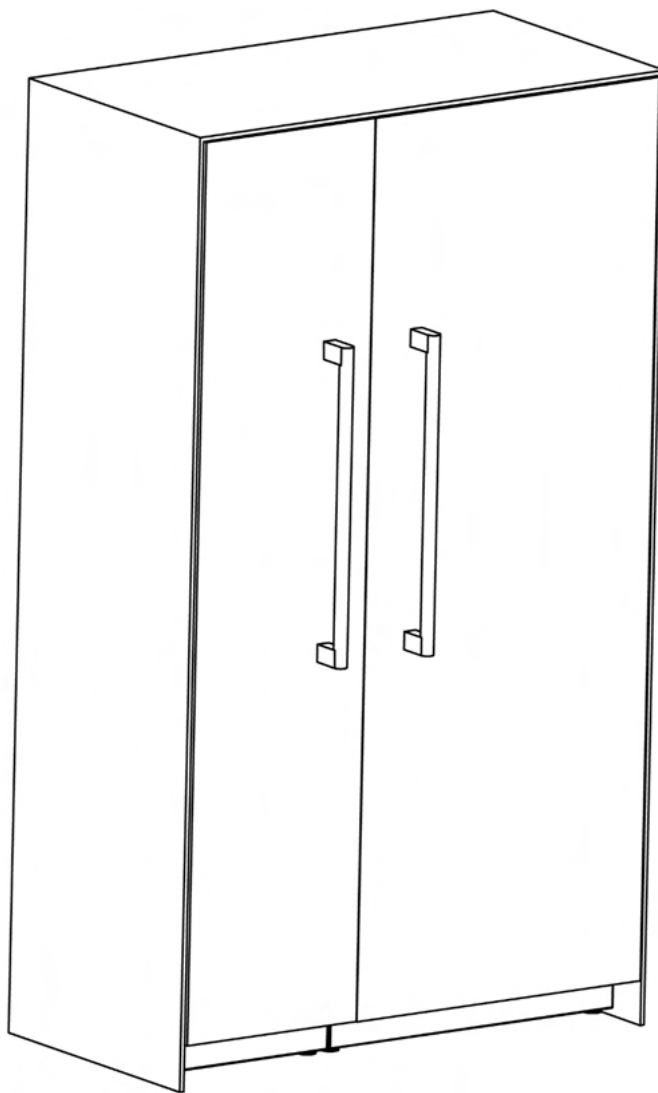
1. After ensuring both units are flush and everything is level, insert the center divider trim (Item No. 5 in the dual unit parts list) between both units and lightly pound into place with the back of your fist.



DUAL CABIN INSTALLATION

INSTALLATION COMPLETE

IMPORTANT: Refer to this Installation Manual as needed for other installation procedures.



WARRANTY

COVERAGE

ZLINE Kitchen and Bath ("ZLINE") column refrigerators have a two year parts and service warranty and a five year parts warranty on the unit's sealed cooling system.

ZLINE warranty periods begin from the original date of product delivery and solely cover the original purchaser of the product, delivered new and in its original carton. The limited warranty covers all parts and labor for necessary repairs if any part of the product, or the product itself, proves to be defective in materials or workmanship.

The product must be deemed serviceable via troubleshooting with the ZLINE Customer Experience team. All service on ZLINE products under warranty must be performed by ZLINE-approved and ZLINE-certified service providers unless otherwise specified by ZLINE. Service will be provided during normal business hours.

Products must be unobstructed and accessible to the service provider at the time of service. ZLINE's liability is limited to the original purchase price of the product. Additional injuries, losses, damages, or other inconveniences caused by product malfunction or defects in materials are not covered under the terms of this warranty.

TERMS

ZLINE warranties apply only to the original purchaser of a ZLINE product installed for normal residential use. This is defined as a single-family, residential dwelling in a non-commercial setting. Any warranty claim stemming from installation, operation, or any other use within a commercial setting is not covered under this limited warranty. Commercial settings include, but are not limited to: schools, churches, hotels, restaurants, vacation rentals such as Airbnb, daycare centers, private clubs, fire stations, common areas in multi-family dwellings, nursing homes, food service locations, and institutional food service locations such as hospitals or correctional facilities.

This warranty is non-transferable and will not under any circumstance be extended based on the date of installation — the warranty period takes effect from the date of delivery and only covers the original purchaser. The warranty applies only to products installed in the contiguous United States and the District of Columbia.

WARRANTY

Failure to secure certified warranty service per these terms will result in a forfeiture of the remaining warranty. Out-of-pocket payments will not be reimbursed unless prior approval is received from ZLINE and/or ZLINE-certified service contract partners. Unapproved out-of-pocket payments for service will not be reimbursed. All warranty procedures must be followed to maintain warranty coverage.

If a product qualifies within the service window provided under these warranty terms, and ZLINE is unable to repair the product or a defective part of the product after a reasonable number of attempts, ZLINE reserves the right to offer to replace the defective part or the product or provide the original purchaser a full refund of the purchase price of the product (not including installation, removal, or other charges that were not included in the original purchase price).

The original purchaser of the product must provide the original proof of purchase, including the purchase date, when filing a claim to obtain replacement parts, service, or refunds. Additionally, the original purchaser of the product must provide the serial number of the product when filing a claim to obtain replacement parts, service, or refunds.

This warranty shall not apply to any ZLINE product in which the original factory serial number has been removed, altered, or cannot be readily determined for any reason. Further, ZLINE is not responsible for damage resulting from, but not limited to: shipment, delivery, or improper installation; negligence or improper maintenance, misuse, or abuse of the product; unauthorized alteration, modification, or tampering with the product; accident, fire, floods, pest infestations, pandemics, natural disasters, or any other unpreventable or unexplained acts of nature, commonly referred to as "acts of God"; flare-up fires or damages caused by improper electric supply, electrical line current, voltage, or power surges; and service to correct installation not in accordance with the instructions contained in ZLINE's product manuals and/or with local government codes.

In the event service is dispatched, and it is discovered that the reported issue is not covered under warranty based on the disclaimers above, the customer will be responsible for all service fees. Failure to pay these fees will result in the forfeiture of remaining warranty coverage.

WARRANTY

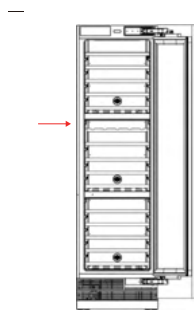
Information contained within ZLINE's installation and user manuals, in addition to product information included on ZLINE's website and all related digital listings, do not cover every possible condition and situation that may occur during the installation or operation of ZLINE products.

ZLINE reserves the right to make changes at any time to its products when considered safe, necessary, and useful. Always check the ZLINE website for the most up-to-date version of its product manuals: www.zlinekitchen.com/pages/manuals.

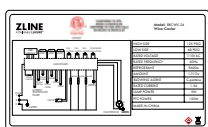
Do not install or operate any ZLINE product if it has missing or broken parts or if it arrives damaged due to shipping. If ZLINE products arrive damaged, contact ZLINE Customer Experience at 1-614-777-5004 for help. Failure to report a damaged appliance prior to installation or operation may void the warranty.

ZLINE disclaims responsibility for damage or injury caused by improper installation or use of any of its products. ZLINE is under no obligation, by law or otherwise, to provide concessions, including repairs, prorates, rebates, discounts, or replacements, once the warranty has expired.

SERIAL NUMBER LOCATION



The rating tag shows the model and serial number of your refrigerator. The product label and rating tag are located on the left-hand side of the cabinet. The tag is visible when the refrigerator door is open. Do not remove permanently affixed labels, warnings, or plates from the product. This will void the warranty.



WARRANTY



SERVICE

For warranty service, please contact our Customer Service team at 1-614-777-5004 or visit www.zlinekitchen.com/contact to utilize our online Customer Experience Portal.



Scan the QR code to view the most up-to-date version of our user manual and installation manual.



Need to purchase a part or accessory for your ZLINE product?
Visit www.zlineparts.com, ZLINE's official parts distribution partner.

1.2.1

zlinekitchen.com

1-614-777-5004

contact@zlinekitchen.com

ZLINE
ATTAINABLE LUXURY®