



INSTALLATION MANUAL

COMBINATION

WALL OVEN

Read this installation manual thoroughly before installing the appliance and keep it handy for reference at all times.

ENGLISH

WCES6428F



MFL51224814
Rev.00_120921

www.lg.com

Copyright © 2021 LG Electronics Inc. All Rights Reserved.

2

TABLE OF CONTENTS

3 IMPORTANT SAFETY INSTRUCTIONS

3 READ ALL INSTRUCTIONS BEFORE USE

3 Safety Messages

3 WARNING

3 Installation

4 INSTALLATION

4 Before Installing

4 Proper Location and Dimensions

7 Parts / Tools

9 Installing the Oven and Test Run

9 Unpacking and Removing Oven Doors

9 Electrical Requirements

10 Making Electrical Connections

12 Installing Oven and Assembling Oven
Doors and Bottom Decorative Trim

13 Test the Oven Before Use




IMPORTANT SAFETY INSTRUCTIONS

READ ALL INSTRUCTIONS BEFORE USE

Safety Messages

Your safety and the safety of others are very important.

We have provided many important safety messages in this manual and on your appliance. Always read and follow all safety messages.

	This is the safety alert symbol. This symbol alerts you to potential hazards that can kill or injure you and others. All safety messages will follow the safety alert symbol and either the word WARNING or CAUTION.
These words mean:	
	WARNING You may be killed or seriously injured if you do not follow instructions.
	CAUTION You may be injured or cause damage to the product if you do not follow instructions.

All safety messages will tell you what the potential hazard is, tell you how to reduce the chance of injury, and tell you what may happen if the instructions are not followed.

WARNING

WARNING

- To reduce the risk of explosion, fire, death, electric shock, injury or scalding to persons when using this product, follow basic precautions, including the following:

Installation

- Never allow anyone to climb, sit, stand or hang on the oven door. Injury might result from contact with hot food or the oven itself.
- Do not line the oven walls, racks, bottom, or any other part of the oven with aluminum foil or any other material. Doing so will disrupt heat distribution, produce poor baking results and cause permanent damage to the oven interior (aluminum foil will melt to the interior surface of the oven).
- Do not use aluminum foil or any other material to line the oven bottom. Improper installation of oven liners may result in a risk of electric shock or fire.
- Make sure your appliance is properly installed and grounded by a qualified installer, according to the installation instructions. Any adjustment and service should be performed only by qualified installers or service technicians.
- Be certain that all packing materials are removed from the appliance before operating. Keep plastic, clothes, paper, and other flammable materials away from parts of the appliance that may become hot.
- The electrical power must be shut off while the electrical connections are being made.
- Improper connection of aluminum house wiring to copper leads can result in an electrical hazard or fire. Use only connectors designed for joining copper to aluminum and follow the manufacturer's recommended procedure closely.

SAVE THESE INSTRUCTIONS


4 INSTALLATION

INSTALLATION

Before Installing



Proper Location and Dimensions

CAUTION

- The cabinet base platform must be able to support 202 lbs (92 kg) for this appliance. If the cabinet does not have a solid bottom, two braces or runners must be installed level with the bottom of the cutout to support the weight of the appliance. Make sure the base is level and the front of the cabinet is square. If the cabinet base is not level, the oven racks will tend to slide out when opening the door.
- Make sure the cabinets and wall coverings around the oven can withstand the temperature (up to 194 °F (90 °C)) generated by the oven. Discoloration, delamination or melting may occur.
- DO NOT remove spacers  on the side walls of the built-in oven. These spacers center the oven in the space provided. The oven must be centered to prevent excess heat buildup that may result in heat damage or fire.
- Kitchen cabinets in contact with the oven must be heat resistant up to 194°F (90°C), and fronts of nearby units up to at least 158°F (70°C).
- The information in this manual should be followed exactly. Failure to do so could result in fire or electrical shock, causing property damage, personal injury or death.
- DO NOT put any weight on the oven door. Never allow anyone to climb, sit, stand or hang on the oven door. The oven could be tipped and injury might result from contact with hot food or the oven itself.
- DO NOT block the oven air exhaust located at the bottom of the oven. Blocking the exhaust may cause cabinet damage and product malfunction.

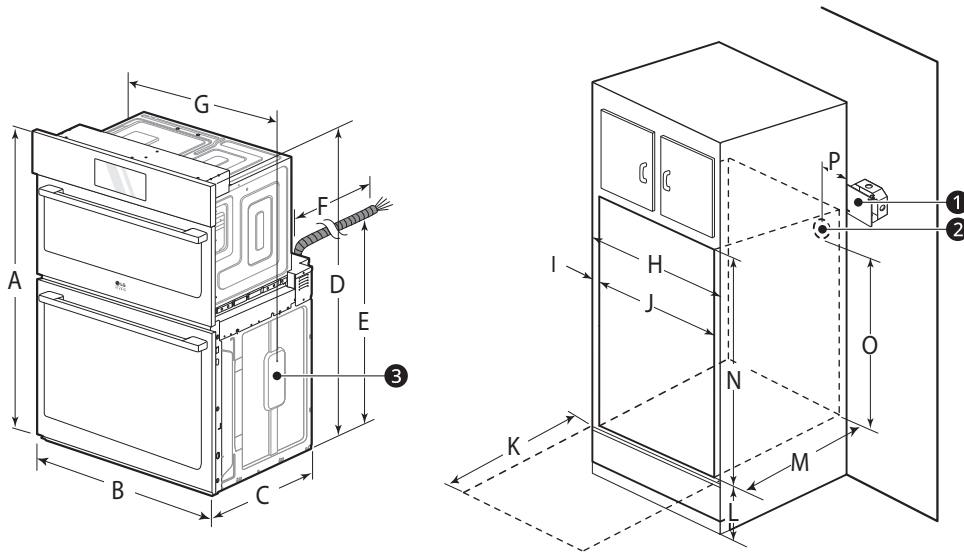
NOTE

- If marks, blemishes or the cutout opening are visible above the installed appliance, it may be necessary to add wood shims under the runners and front trim until the marks or opening are covered.
- If the cabinet does not have a front frame and the sides are less than 3/4" (1.9 cm) thick, shim both sides equally to establish the cutout width.

- The junction box  must be flush with the conduit opening  of the cabinet as shown below.
- Allow at least a 23" clearance for the door depth when it is open.
- Do not remove the gliding racks from the base packing. Gliding racks are attached separately to the top and bottom of the oven.

Dimensions and Clearances

Measure the current cutout dimensions and compare them to the cutout dimensions shown below. Little or no cabinet work may be necessary.

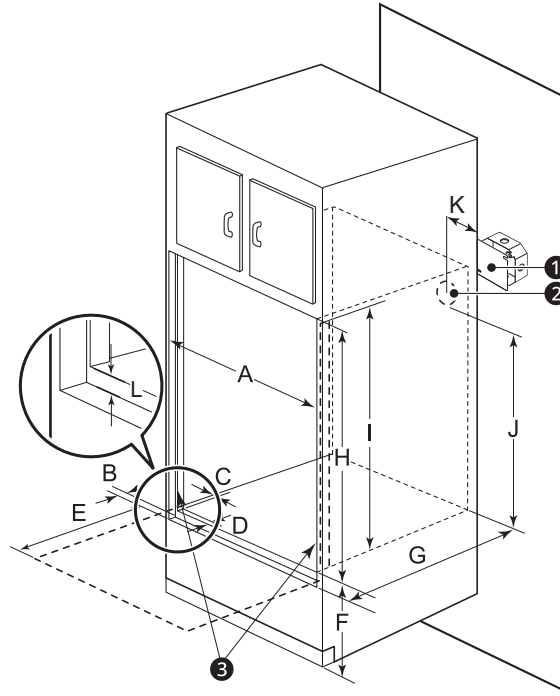


ENGLISH

List		Dimensions
A	Height	43 13/16" (111.3 cm)
B	Width	29 3/4" (75.5 cm)
C	Depth	23 3/8" (59.3 cm)
D	Height (standard installation)	43 3/16" (109.7 cm)
E	Height (power cord)	25 7/8" (65.6 cm)
F	Length (power cord)	60" (152.4 cm)
G	Width (standard installation)	28 7/16" (72.2 cm)
H	Cabinet width	30" (76.2 cm)
I	Overlap of oven	1" (2.5 cm)
J	Cutout width	28 1/2" Min. (72.4 cm) 28 5/8" Max. (72.7 cm)
K	Depth of open door	23" (58.4 cm)
L	Cutout location from floor	12" (30.5 cm)
M	Cutout depth	24" Min. (61.0 cm)
N	Cutout height	43 7/16" Min. (110.3 cm) 43 1/2" Max. (110.5 cm)
O	Height of conduit opening from floor of cutout	39 27/32" (101.2 cm)
P	Distance of conduit opening from side of cabinet	5" (12.7 cm)

6 INSTALLATION

Cutout Dimensions (Flush)

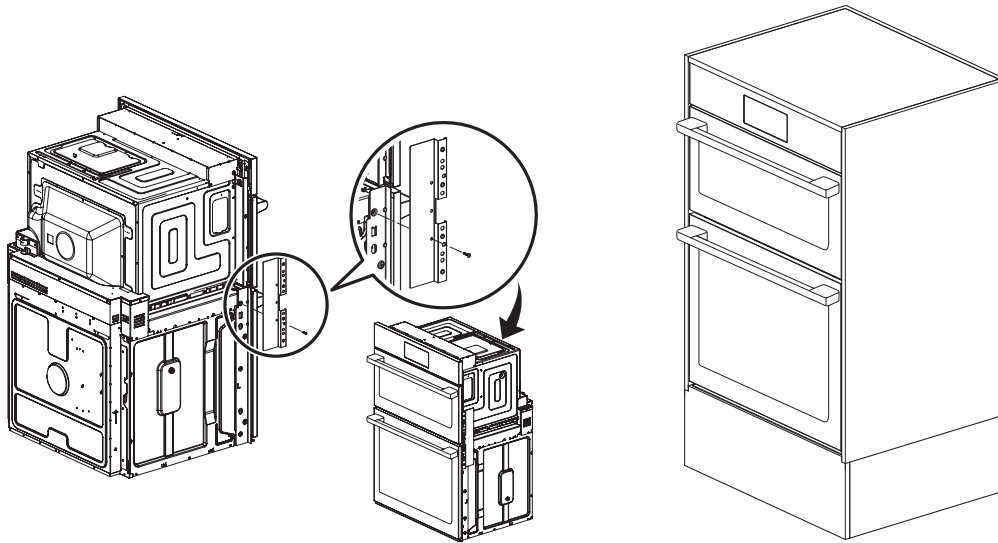


1 Junction box		2 Conduit opening		3 Cleat (Spacer)	
List		Dimensions			
A	Cutout width			30" (76.2 cm)	
B	Cleat (spacer) inset from front of cabinet			1 3/8" (3.5 cm)	
C	Cleat (spacer) width			3/16" (0.5 cm)	
D	Cleat (spacer) depth			1" (2.5 cm)	
E	Depth of open door			23" (58.4 cm)	
F	Bottom of cutout from floor			12" (30.5 cm)	
G	Cutout depth			25" (63.5 cm)	
H	Cutout height			44" (111.8 cm)	
I	Cleat (spacer) height			43 13/16" (111.3 cm)	
J	Height of conduit opening from floor of cutout			39 7/8" (101.2 cm)	
K	Distance of conduit opening from side of cabinet			5" (12.7 cm)	
L	Bottom of bottom decorative trim to vent opening			3/4" (1.9 cm)	

When Installing Flush Cabinet

- The provided cover brackets are only used for flush cabinet installations.

- Remove one screw from the left and right sides as shown. These screw holes will be used to mount the cover brackets. Install the cover brackets on the sides of the oven with the provided self-tapping screws.

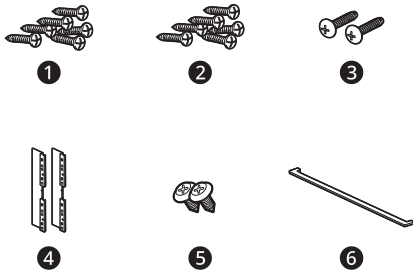


Parts / Tools

⚠ WARNING

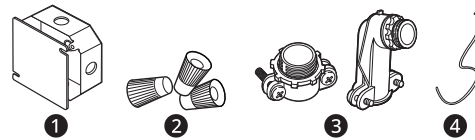
- Mounting screws must be used. Failure to do so can result in the oven falling out of the cabinet causing serious injury.

Parts Provided



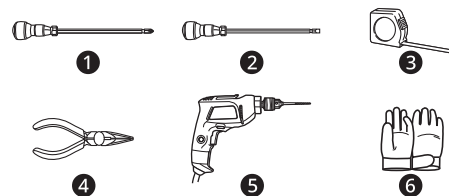
- 1 4X14 6 Wood screws for mounting (4 needed for installation and 2 extras)
- 2 4X24 6 Wood screws for mounting (for flush installation)
- 3 4X22 2 Self-tapping screws for cover bracket
- 4 2 Cover brackets for flush installation
- 5 4X10 2 Screws for bottom decorative trim
- 6 Bottom decorative trim

Parts Not Provided



- 1 Junction Box
- 2 Wire Nuts
- 3 3/4" Conduit Connector
- 4 36" (91 cm) of String

Tools Needed



- 1 Phillips screwdriver
- 2 Flat-blade screwdriver
- 3 Tape measure
- 4 Pliers
- 5 Drill
- 6 Gloves

8 INSTALLATION

NOTE

- Observe all governing codes and ordinances.
 - Have the installer show you the location of the circuit breaker or fuse. Mark it for easy reference.
 - As when using any appliance generating heat, there are certain safety precautions you should follow.
 - Be sure your appliance is installed and grounded properly by a qualified installer or service technician.
-

Installing the Oven and Test Run

Unpacking and Removing Oven Doors

⚠ WARNING

- Keep packing materials out of the reach of children. Packaging material can be dangerous for children. There is a risk of suffocation.
- You should use two or more people to move and install the appliance. (Excessive Weight Hazard) Failure to do so can result in back or other injury.
- Do not use the door handles to push or pull the appliance during installation or when moving the appliance out for cleaning or service. Doing so can result in serious damage to the door of the appliance.
- To reduce the risk of burns, do not move this appliance while it is hot.

NOTE

- To remove any remaining tape or glue, rub the area briskly with your thumb. Tape or glue residue can also be easily removed by rubbing a small amount of liquid dish soap over the adhesive with your fingers. Wipe with warm water and dry.
- Do not use sharp instruments, rubbing alcohol, flammable fluids, or abrasive cleaners to remove tape or glue. These products can damage the surface of your appliance.
- Door removal is not a requirement for installation of the oven, but is an added convenience.

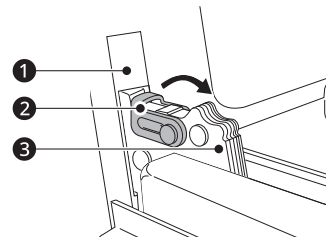
Unpacking Materials

Remove any packing material from the oven before installing the oven.

- 1 Remove all tape from around the oven.
- 2 Open the oven door and remove packaging materials and oven racks inside the oven.

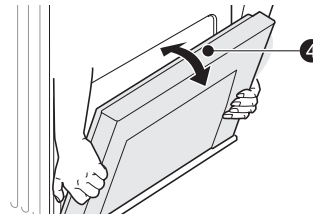
Removing Lower Oven Door

- 1 Fully open the door.
- 2 Unlock the hinge locks, rotating them as far toward the open door frame as they will go.



- 1 Slot
- 2 Hinge lock
- 3 Hinge arm

- 3 Firmly grasp both sides of the door at the top.
- 4 Close the door to the removal position (approximately five degrees 4) which is halfway between the broil stop position and fully closed. If the position is correct, the hinge arms will move freely.



- 5 Lift door up and out until the hinge arm is clear of the slot.
- 6 Place the oven on a table or platform even with the cutout opening. The table or platform must support 202 lbs (92 kg) for a combination wall oven.

NOTE

- Use two hands to remove lower oven door.
- Do not lift the door by the handle. The oven door is very heavy. Firmly grasp the door by the sides before lifting it off the hinges.
- Do not lay the oven door on its handle. Doing so may cause dents or scratches.

Electrical Requirements

Ensure that dedicated circuit protection is prepared as recommended and that the appliance is grounded properly.

10 INSTALLATION

This wall oven must be electrically grounded in accordance with local codes or, in their absence, with the National Electrical Code ANSI/NFPA No.70- latest edition* in United States, or with CSA Standard C22.1-1982 and C22.2 No.01982 (or latest edition)**, Canadian Electrical Code, Part1, and all local codes and ordinances.

All wiring should conform to Local and NEC codes. This appliance requires a single-phase, 3 wire, A.C 120/208 V or 120/240 V 60 Hz electrical system. Use only a 3-conductor or a 4-conductor UL - listed cord with closed-loop terminals, open-end spade lugs with upturned ends or similar termination. Do not install the power cord without a strain relief.

A built-in oven can consume up to **7,800 W at 240 VAC**. A **50 Amp** circuit breaker with wire gauge **#8 AWG** must be used.

⚠ WARNING

- Do Not ground to a gas pipe.
- Do Not have a fuse in the neutral or grounding circuit.
- A U.L.-listed conduit connector must be provided at the junction box.
- The appliance must be hard wired (direct wired) into an approved junction box. A plug and receptacle is not permitted on these products.
- DO NOT shorten the flexible conduit. The conduit connector must be securely attached to the junction box and the flexible conduit must be securely attached to the conduit connector. If the flexible conduit will not fit within the connector, do not install the oven until a connector of the proper size is obtained.

NOTE

- The power leads supplied with the appliance are UL, CSA recognized for connection to larger gauge household wiring. The insulation of these leads is rated at temperatures much higher than the temperature rating of household wiring. The current carrying capacity of the conductor is governed by the wire gauge and the temperature rating of the insulation around the wire.
- You will need to purchase an appropriate conduit connector to complete the connection of the conduit to the junction box.

Making Electrical Connections

⚠ WARNING

- New branch-circuit installations (1996 NEC), mobile homes, recreational vehicles, or installations where local codes prohibit grounding through the neutral conductor require 4-wire branch-circuit connection.
- Improper connection of aluminum house wiring to copper leads can result in an electrical hazard or fire. Use only connectors designed for joining copper to aluminum and follow the manufacturer's recommended procedure closely.

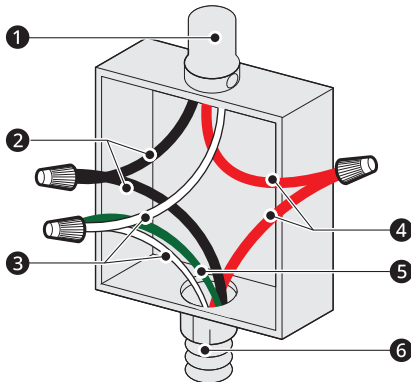
- 1 Turn off the circuit breaker or remove fuses to the oven branch circuit.
- 2 With the oven positioned directly in front of the cabinet opening, connect the flexible conduit to the electrical junction box. Position the conduit in such a manner that it will lie on top of the oven in a natural loop when the oven is installed.
- 3 If local codes permit connection of the frame grounding conductor to the neutral (white) wire, follow the instructions for a 3-wire circuit connection.
- 4 If used in mobile homes or new construction, or a recreational vehicle, or local codes do not permit connection of the frame grounding conductor to the neutral (white) wire, follow the instructions for a 4-wire circuit connection.

3-Wire Connection from Home Power Supply

⚠ WARNING

- The middle (neutral or ground) wire, which is white, of a 3-wire power cord or a 3-wire conduit has to be connected to the middle post of the main terminal block. The remaining two wires of the power cord or conduit have to be connected to the outside posts of the main terminal

connection block. Failure to do so can result in electrical shock, severe personal injury or death.



- ❶ Cable from home power supply
- ❷ Black wires
- ❸ White wires
- ❹ Red wires
- ❺ Green (or bare) ground wires
- ❻ 4-wire flexible conduit from oven

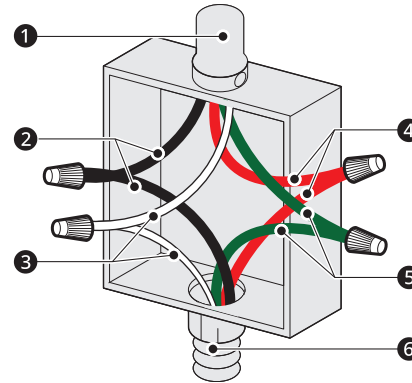
- 1 Connect the oven ground (green) wire and neutral (white) wire to the branch circuit neutral (white or gray) wire, using a wire nut.
- 2 Connect the oven red wire to the branch circuit red (L2) wire in accordance with local codes, using a wire nut.
- 3 Connect the oven black wire to the branch circuit black (L1) wire in accordance with local codes, using a wire nut.
- 4 Install the junction box cover.

4-Wire Connection from Home Power Supply

⚠ WARNING

- Only a 4-conductor power-supply cord kit rated 120/240 volts, 50 amperes and marked for use with ranges with closed-loop connectors or open spade lugs with upturned ends shall be used. The white middle (neutral) wire of the power cord or 4-wire conduit has to be connected to the middle post of the main terminal block. The other two wires of the power cord or conduit have to be connected to the outside posts of the main terminal connection block. The 4th ground

wire (green) must be connected to the frame of the oven with the ground screw. Failure to do so can result in electrical shock, severe personal injury or death.



- ❶ Cable from home power supply
- ❷ Black wires
- ❸ White wires
- ❹ Red wires
- ❺ Green (or bare) ground wires
- ❻ 4-wire flexible conduit from oven

- 1 Separate the oven ground and white wires if necessary.
- 2 Connect the oven ground (green) wire to the branch circuit ground (green) wire in accordance with local codes, using a wire nut.
- 3 Connect the oven white wire to the branch circuit neutral (white or gray) wire in accordance with local codes, using a wire nut.
- 4 Connect the oven red wire to the branch circuit red (L2) wire in accordance with local codes, using a wire nut.
- 5 Connect the oven black wire to the branch circuit black (L1) wire in accordance with local codes, using a wire nut.
- 6 Install the junction box cover.

12 INSTALLATION

Installing Oven and Assembling Oven Doors and Bottom Decorative Trim

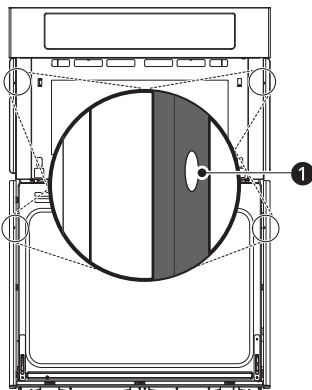
Installing the Oven

Install the oven into the cabinet as follows:

- 1 Use caution when lifting the oven and wear gloves to protect hands from any sharp edges.
- 2 Use two or more people to lift or move the oven into the cabinet opening.
 - Loop (do not tie) a 36" (91 cm) string around the conduit before the oven is slid into place. Lay the string over the top of the oven and use it to keep the conduit from falling behind the oven.
 - Lift oven into cabinet cutout using the oven opening as a grip. Carefully push against the oven front frame. Do not push against outside edges.
 - While sliding the oven back, pull the string so that the conduit lies on the top of the oven in a natural loop.
 - When you are sure the conduit is out of the way, slide the oven 3/4 way back into the opening. Remove the string by pulling on one end of the loop.

3 Secure the oven.

- Using the mounting holes **1** on the oven side trim as a guide, drill pilot holes for screws provided. (For securing the oven, use a minimum of 4 screws, one on each side in both the upper and lower ovens.)

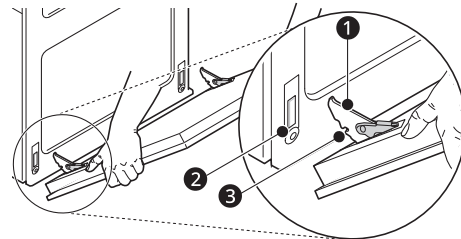


- Secure the oven to the cabinet with screws provided. If the cabinet is particle board, you must use 3/4" particle board screws.

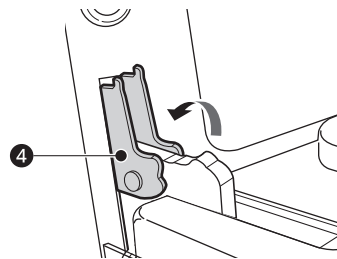
These may be purchased at any hardware store.

Assembling Oven Doors

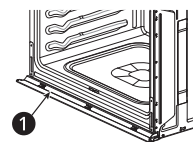
- 1 Firmly grasp both sides of the door at the top.
- 2 With the door at the same angle as the removal position, seat the indentation **3** of the hinge arms **1** into the bottom edge of the hinge slots **2**. The notch in the hinge arms must be fully seated into the bottom edge of the slots.



- 3 Open the door fully. If the door will not open fully, the indentation is not seated correctly in the bottom edge of the slots.
- 4 Lock the hinge locks **4**, rotating them back toward the slots in the oven frame until they lock.



- 5 Close the oven door.



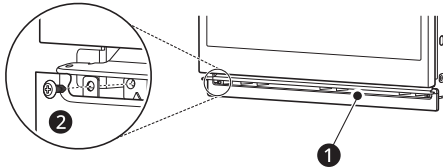
1 Bottom vent trim

NOTE

- When you install the oven door, be careful not to bump the bottom vent trim.
- Keep oven vents unobstructed. Replace the bottom vent trim if it becomes bent or

deformed. Never block the vent with plastic or heat-sensitive items.

Assembling the Bottom Decorative Trim



1 Bottom decorative trim

- After installing the oven in the cabinet, assemble bottom decorative trim with 2 screws **2** (4X10).

Test the Oven Before Use

Each of the functions has been factory checked before shipping. However, it is suggested that you verify the operation of the oven once more. Refer to the Owner's Manual. Follow the instructions for the basic check.

- Turn on power supply. The initial signal sound is heard and the Clock segment appears in the display.

NOTE

- Depending on the model, some of the following functions may not be available.

Common

- 1 Turn on the power supply. The initial signal sound will be heard.
- 2 Check the operation of the broil mode.
 - When the oven is set to broil, the upper element in the oven should become red. After a few minutes, partially open the oven door. You should feel heat from the oven. Touch **Stop**.
- 3 Check the operation of the convection bake mode.
 - After setting the oven to 350 °F / 177 °C for convection baking, the fan inside the oven should come on with the door closed. Touch **Stop**.

- 4 Turn on and off the oven light to check that the lights are in normal condition.

Upper Oven

- 1 Place a glass bowl filled with water in upper oven.
- 2 Turn the microwave on for 1 minute. The water should be hot.
- 3 Touch **Stop**.

Lower Oven

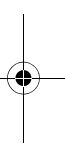
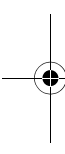
- 1 Check the operation of the bake mode.
 - After setting the oven to 350 °F / 177 °C for baking, the temperature of the oven in the display should increase. Touch **Stop**.
- 2 Check the operation of the burner for each convection mode.
 - After setting the oven to 350 °F / 177 °C for each convection mode, the back element should light up and the fan inside the oven should come on with the door closed.

NOTE

- A small amount of smoke and odor may be noticeable during the initial break-in period.
- If the oven does not operate properly or an F-, followed by a number, appears in the display, see the Owner's Manual for the troubleshooting list. The list includes common occurrences that are not the result of defective workmanship or materials in this product. If the problem occurs continuously, contact the dealer.
- Refer to the warranty in the Owner's Manual for the LG toll-free service number and address.



14 Memo





MANUAL DE INSTALACIÓN

HORNO DE PARED

COMBINADO

Lea detenidamente el manual de instalación antes de instalar el aparato y consérvelo a mano en todo momento para su referencia.

ESPAÑOL

WCES6428F

www.lg.com

Copyright © 2021 LG Electronics Inc. Todos los derechos reservados

2

ÍNDICE

3 INSTRUCCIONES IMPORTANTES DE SEGURIDAD

3 LEA TODAS LAS INSTRUCCIONES ANTES DE UTILIZAR

3 Mensajes de Seguridad

3 ADVERTENCIA

3 Instalación

5 INSTALACIÓN

5 Antes de la Instalación

5 Dimensiones y ubicación adecuadas

8 Piezas/Herramientas

10 Instalación y prueba de funcionamiento del horno

10 Desembalaje y extracción de las puertas del horno

11 Requisitos eléctricos

11 Conexiones eléctricas

13 Instalación del horno y colocación de las puertas y el reborde decorativo inferior del horno

14 Pruebe el horno antes de usarlo

INSTRUCCIONES IMPORTANTES DE SEGURIDAD

LEA TODAS LAS INSTRUCCIONES ANTES DE UTILIZAR

ESPAÑOL

Mensajes de Seguridad

Su seguridad y la de los demás son muy importantes.

Tanto en este manual como en el equipo, hemos proporcionado muchos mensajes de seguridad importantes. Siempre debe leer y respetar todos los mensajes de seguridad.



Este es el símbolo de alerta de seguridad.

Este símbolo le advierte de posibles peligros que pueden matarlos o lastimarlos a usted y a otros. Todos los mensajes de seguridad seguirán el símbolo de alerta de seguridad y la palabra ADVERTENCIA o PRECAUCIÓN.

Estos términos significan lo siguiente:



ADVERTENCIA

Podría sufrir lesiones graves o la muerte si no sigue las instrucciones.



PRECAUCIÓN

Puede resultar lesionado o causar daño al producto si no sigue las instrucciones.

Todos los mensajes de seguridad le indicarán cuál es el riesgo potencial, le indicarán cómo reducir la probabilidad de lesiones y le proporcionarán información sobre qué podría suceder si no se siguen las instrucciones.

ADVERTENCIA

ADVERTENCIA

- Para reducir el riesgo de explosiones, incendios, descargas eléctricas, quemaduras, lesiones o muerte de las personas al usar este producto, siga las precauciones básicas, incluidas las siguientes:

Instalación

- Nunca permita que nadie se suba, pare o cuelgue de la puerta del horno. Podría sufrir lesiones por el contacto con la comida caliente o el horno mismo.
- No recubra las paredes del horno, los estantes, el fondo ni ninguna otra parte del horno con papel de aluminio ni ningún otro material. Esto altera la distribución de calor, produce resultados de horneado deficientes y causa daños permanentes al interior del horno (el papel de aluminio se fundirá en la superficie interior del horno).
- No utilice papel de aluminio ni ningún otro material para revestir la base del horno. La instalación inadecuada de los revestimientos del horno podría causar riesgo de descarga eléctrica o incendio.
- Haga que un instalador calificado instale y conecte a tierra su electrodoméstico de manera apropiada, de acuerdo con las instrucciones de instalación. Cualquier ajuste y servicio deben realizarlo exclusivamente instaladores de hornos o técnicos de servicio calificados.
- Asegúrese de retirar todos los materiales del embalaje antes de la puesta en funcionamiento. Mantenga el plástico, telas, papel y otros materiales inflamables lejos de las piezas del electrodoméstico que se podrían calentar.
- Se debe cortar el suministro de electricidad mientras se llevan a cabo las conexiones eléctricas.

4 INSTRUCCIONES IMPORTANTES DE SEGURIDAD

- La conexión incorrecta del cableado doméstico de aluminio a los cables de cobre puede provocar descargas eléctricas o un incendio. Utilice únicamente conectores diseñados para unir cobre con aluminio y siga al pie de la letra el procedimiento recomendado por el fabricante.

GUARDE ESTAS INSTRUCCIONES

INSTALACIÓN

Antes de la Instalación

Dimensiones y ubicación adecuadas

⚠ PRECAUCIÓN

- Para este electrodoméstico, la plataforma base del gabinete debe poder soportar 202 lb (92 kg). Si el gabinete no cuenta con un fondo sólido, deben instalarse dos travesaños o guías nivelados con la parte inferior del corte para sostener el peso del electrodoméstico. Asegúrese de que la base se encuentre nivelada y que el frente del gabinete esté derecho. Si la base del gabinete no está nivelada, los estantes del horno tenderán a deslizarse hacia afuera cuando se abra la puerta.
- Asegúrese de que los gabinetes y los revestimientos de las paredes ubicados alrededor del horno puedan resistir la temperatura (de hasta 194 °F [90 °C]) generada por el horno. Puede producirse decoloración, delaminación o derretimiento.
- NO quite los espaciadores **③** de las paredes laterales del horno empotrado. Estos espaciadores centran el horno en el espacio provisto. El horno debe centrarse para evitar una acumulación excesiva de calor que puede provocar daños o un incendio.
- Los gabinetes de la cocina en contacto con el horno deben ser resistentes al calor hasta 194 °F (90 °C) y los frentes de las unidades cercanas de hasta al menos 158 °F (70 °C).
- La información en este manual se debe seguir exactamente. Si no se hace, podría tener como resultado incendio o descarga eléctrica, causar daños a la propiedad, lesiones personales o la muerte.
- NUNCA coloque peso sobre la puerta del horno. Nunca permita que nadie se suba, siente, pare o cuelgue de la puerta del horno. El horno se podría inclinar y podría sufrir lesiones por el contacto con la comida caliente o el horno mismo.
- NO bloquee la salida del aire del horno, ubicada en la parte inferior del horno. Si bloquea la salida, puede causar daños en el gabinete y mal funcionamiento del producto.

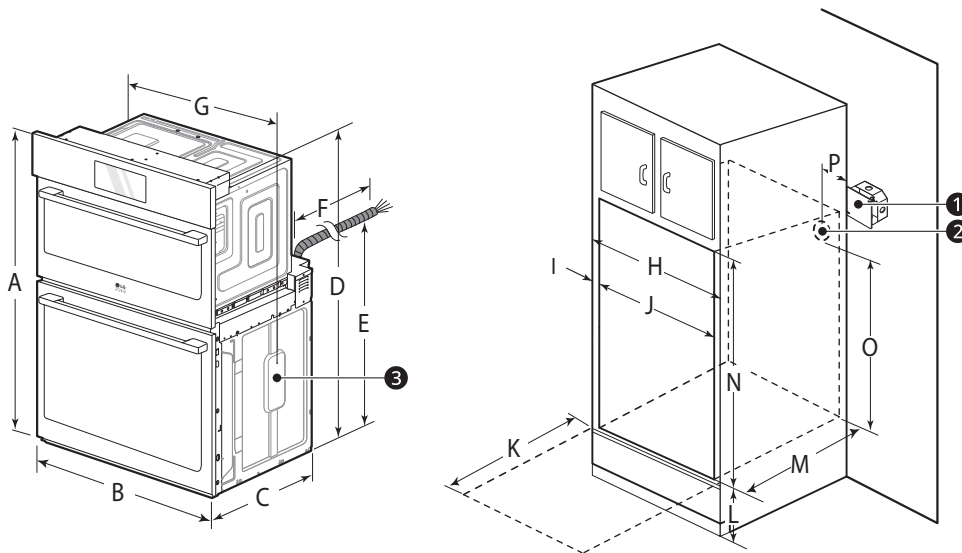
NOTA

- Si quedaran a la vista marcas, imperfecciones o una abertura sobre el electrodoméstico instalado, puede ser necesario agregar cuñas de madera bajo las guías y el reborde frontal hasta cubrir dichas marcas o abertura.
- Si el gabinete no cuenta con un marco frontal y los lados tienen un grosor menor a 3/4" (1.9 cm), coloque cuñas uniformemente sobre ambos lados para establecer el ancho de la abertura.
- La caja de conexiones **①** debe estar alineada con la abertura del conducto **②** del gabinete, como se muestra abajo.
- Permita al menos un espaciado de 23" para la profundidad de la puerta cuando se abre.
- No extraiga los estantes deslizantes del embalaje de base. Los estantes deslizantes vienen instalados aparte de las partes superiores e inferiores del horno.

6 INSTALACIÓN

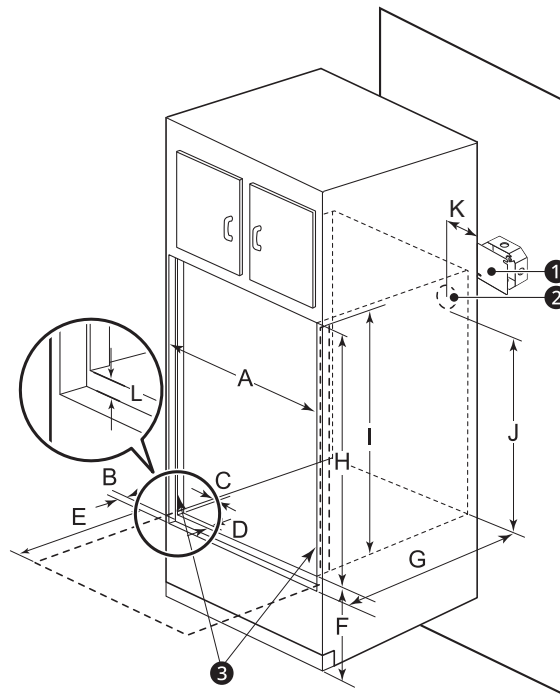
Dimensiones y espacios

Mida las dimensiones actuales de la abertura y compárelas con las dimensiones de corte que se muestran a continuación. Puede ser necesario realizar poco o nada de trabajo en los gabinetes.



Lista		Dimensiones
A	Alto	43 13/16" (111.3 cm)
B	Ancho	29 3/4" (75.5 cm)
C	Profundidad	23 3/8" (59.3 cm)
D	Alto (instalación estándar)	43 3/16" (109.7 cm)
E	Alto (cable de alimentación)	25 7/8" (65.6 cm)
F	Largo (cable de alimentación)	60" (152.4 cm)
G	Ancho (instalación estándar)	28 7/16" (72.2 cm)
H	Ancho del gabinete	30" (76.2 cm)
I	Superposición del horno	1" (2.5 cm)
J	Ancho del corte	Mín. 28 1/2" (72.4 cm) Máx. 28 5/8" (72.7 cm)
K	Profundidad de la puerta abierta	23" (58.4 cm)
L	Ubicación del corte respecto del piso	12" (30.5 cm)
M	Profundidad del corte	Mín. 24" (61.0 cm)
N	Alto del corte	Mín. 43 7/16" (110.3 cm) Máx. 43 1/2" (110.5 cm)
O	Alto de la abertura del conducto desde el piso del corte	39 27/32" (101.2 cm)
P	Distancia de la abertura del conducto desde el lateral del gabinete	5" (12.7 cm)

Dimensiones de corte (al ras)



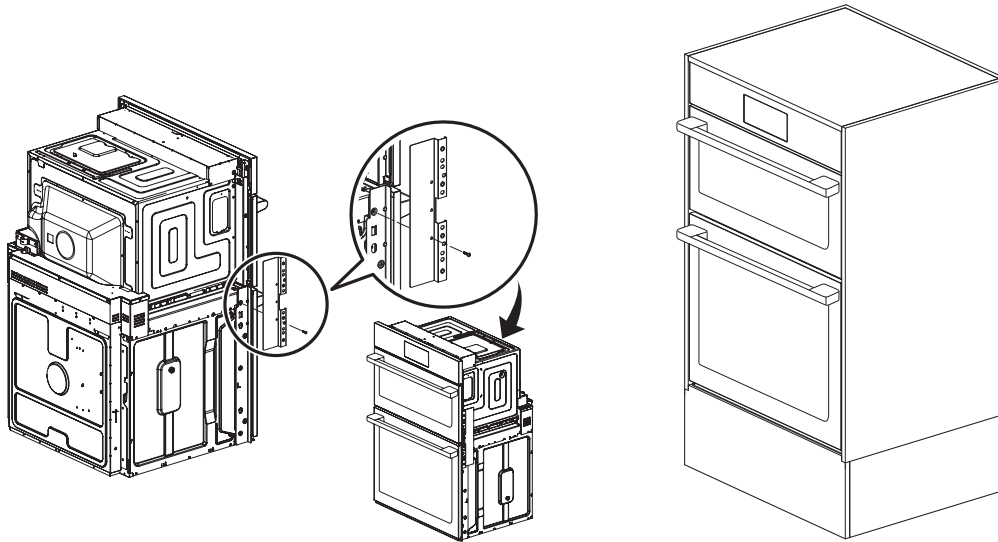
1 Caja de conexiones		2 Abertura del conducto		3 Abrazadera (espaciador)	
Lista			Dimensiones		
A	Ancho del corte			30" (76.2 cm)	
B	Inserción de la abrazadera (espaciador) desde la parte frontal del gabinete			1 3/8" (3.5 cm)	
C	Ancho de la abrazadera (espaciador)			3/16" (0.5 cm)	
D	Profundidad de la abrazadera (espaciador)			1" (2.5 cm)	
E	Profundidad de la puerta abierta			23" (58.4 cm)	
F	Parte inferior del corte desde el piso			12" (30.5 cm)	
G	Profundidad del corte			25" (63.5 cm)	
H	Alto del corte			44" (111.8 cm)	
I	Alto de la abrazadera (espaciador)			43 13/16" (111.3 cm)	
J	Alto de la abertura del conducto desde el piso del corte			39 7/8" (101.2 cm)	
K	Distancia de la abertura del conducto desde el lateral del gabinete			5" (12.7 cm)	
L	Parte inferior del reborde decorativo inferior a la abertura de ventilación			3/4" (1.9 cm)	

Cuando instala el gabinete al ras

- Los soportes provistos de la cubierta solo se utilizan para las instalaciones del gabinete al ras.

8 INSTALACIÓN

- Quite un tornillo desde los lados izquierdos y derechos como se muestra. Estos orificios de tornillos se utilizarán para instalar los soportes de la cubierta. Instale los soportes de la cubierta en los costados del horno con los tornillos autorroscantes proporcionados.

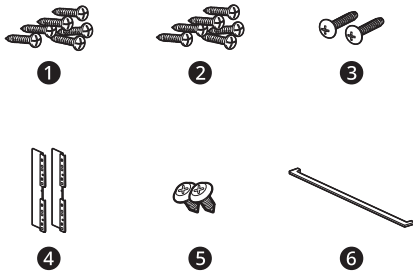


Piezas/Herramientas

⚠ ADVERTENCIA

- Deben utilizarse tornillos de montaje. De lo contrario, el horno podría caer del gabinete y ocasionar lesiones graves.

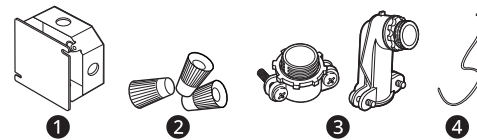
Piezas incluidas



- 1 6 tornillos para madera de 4X14 para el montaje (se requieren 4 para la instalación y se proporcionan 2 adicionales)
- 2 6 tornillos para madera de 4X24 para el montaje (para instalación al ras)
- 3 2 tornillos autorroscantes de 4X22 para el soporte de la cubierta
- 4 2 soportes de cubierta para instalación al ras
- 5 2 tornillos de 4X10 para el reborde decorativo inferior

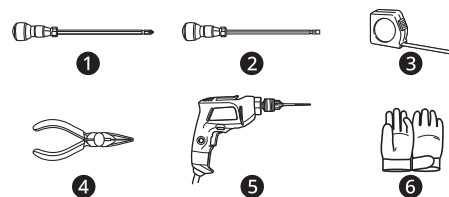
- 6 Reborde decorativo inferior

Piezas no incluidas



- 1 Caja de conexiones
- 2 Conectores de torsión
- 3 Conector de conducto de 3/4"
- 4 36" (91 cm) de cuerda

Herramientas necesarias



- 1 Destornillador Phillips
- 2 Destornillador plano
- 3 Cinta medidora
- 4 Pinzas
- 5 Taladro

6 Guantes

NOTA

- Cumpla todos los códigos y ordenanzas vigentes.
- Solicite al instalador que le muestre la ubicación del disyuntor o fusible. Márquelo para que sea fácil de detectar.
- Al igual que al utilizar cualquier otro electrodoméstico que genera calor, existen determinadas precauciones de seguridad que se deben respetar.
- Asegúrese de que su electrodoméstico esté instalado correctamente y con la conexión a tierra adecuada, a cargo de un instalador o técnico de mantenimiento calificado.

10 INSTALACIÓN

Instalación y prueba de funcionamiento del horno

Desembalaje y extracción de las puertas del horno

⚠ ADVERTENCIA

- No deje los materiales de empaque al alcance de los niños. Estos materiales pueden ser peligrosos para los niños y presentan riesgo de asfixia.
- Debe haber dos o más personas para mover e instalar el electrodoméstico. (Peligro de peso excesivo). Si no se cumple con esto, se pueden producir lesiones en la espalda o de otro tipo.
- No utilice las manijas de la puerta para empujar o tirar del electrodoméstico durante la instalación ni al moverlo para tareas de limpieza o reparaciones. Si lo hace, podría causar daños graves a la puerta del electrodoméstico.
- Para reducir el riesgo de quemaduras, no mueva el electrodoméstico mientras esté caliente.

NOTA

- Para remover cualquier cinta adhesiva o goma restante frote enérgicamente el área con su pulgar. La cinta adhesiva o residuos de goma pueden ser fácilmente removidos frotando una pequeña cantidad de jabón líquido para platos con sus dedos. Limpie con agua caliente y seque.
- No utilice instrumentos puntiagudos, alcohol para frotar, fluidos inflamables o limpiadores abrasivos para remover cinta adhesiva o goma. Estos productos pueden dañar la superficie del electrodoméstico.
- La eliminación de la puerta no es un requisito para la instalación del horno, pero es una conveniencia agregada.

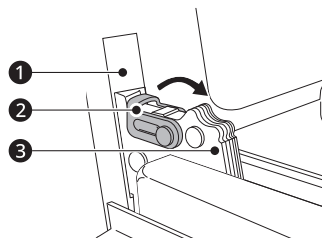
Materiales de embalaje

Retire todos los materiales de embalaje del horno antes de proceder a su instalación.

- 1 Retire toda la cinta de alrededor del horno.
- 2 Abra la puerta del horno y retire los materiales de embalaje y los estantes del interior del horno.

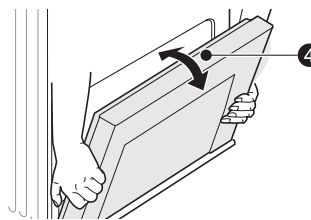
Extracción de la puerta del horno inferior

- 1 Abra la puerta totalmente.
- 2 Desbloquee las trabas de las bisagras haciéndolas girar alejándolas todo lo posible del marco de la puerta abierta.



- ❶ Ranura
- ❷ Traba de la bisagra
- ❸ Brazo de la bisagra

- 3 Tome firmemente ambos lados de la puerta desde la parte superior.
- 4 Cierre la puerta hasta la posición de extracción (aproximadamente cinco grados) que es a mitad de camino entre la posición de tope del asador y totalmente cerrada. Si la posición es correcta, los brazos de las bisagras se moverán libremente.



- 5 Levante la puerta y tire hacia afuera hasta que el brazo de la bisagra salga de la ranura.
- 6 Coloque el horno en una mesa o plataforma uniforme con la abertura del corte. La mesa o la plataforma deben soportar 202 lb (92 kg) para un horno de pared combinado.

NOTA

- Use ambas manos para quitar la puerta del horno inferior.
- No levante la puerta tomándola de la manija. La puerta del horno es muy pesada. Sujétela

firmeramente de los costados antes de levantarla y liberarla de las bisagras.

- No apoye la puerta del horno sobre la manija. Si lo hace, pueden producirse abolladuras o rayones.

Requisitos eléctricos

Asegúrese de que la protección de los circuitos exclusiva se prepare como se recomienda y de que el electrodoméstico esté correctamente conectado a tierra.

Este horno de pared debe tener una conexión eléctrica a tierra en cumplimiento con los códigos locales o, si estos no existieran, de acuerdo con el Código Eléctrico Nacional, ANSI/NFPA N.º 70-última edición* en los Estados Unidos, o con la Norma CSA C22.1-1982 y C22.2 N.º 01982 (o última edición)**, Código Eléctrico Canadiense, Parte 1, y todos los códigos y ordenanzas locales.

Todo el cableado debe cumplir con el Código Eléctrico Nacional (National Electrical Code, NEC) y el local. Este electrodoméstico requiere un cable monofásico de 3 hilos, un sistema eléctrico de 120/208 VCA o 120/240 V 60 Hz. Utilice únicamente un cable para horno de 3 o 4 conductores homologados por UL con terminales de circuito cerrado, terminales de horquilla abiertos o una terminación similar. No instale el cable de alimentación sin un pasacables.

Un horno empotrado puede consumir hasta **7800 W a 240 VCA**. Debe utilizarse un disyuntor de **50 A** con un calibre de cable de **#8 AWG**.

⚠ ADVERTENCIA

- NO conecte a tierra con una tubería de gas.
- NO coloque un fusible en el circuito central o de conexión a tierra.
- La caja de conexiones debe contar con un conector de conductos homologado por UL.
- El electrodoméstico debe contar con cableado de conexión permanente (cableado directo) a una caja de conexiones aprobada. En estos productos, no se permite la conexión del tipo "enchufe y receptáculo".
- NO acorte el conducto flexible. El conector de conductos debe quedar bien sujeto a la caja de conexiones y el conducto flexible debe quedar bien sujeto al conector de conductos. Si el conducto flexible no entra dentro del conector, no instale el horno hasta obtener un conector del tamaño adecuado.

NOTA

- Los cables de alimentación que se suministran con este electrodoméstico están reconocidos por UL y CSA para conexiones con cableados domésticos de calibres mayores. La aislación de estos cables está clasificada a temperaturas mucho más elevadas que la clasificación del cableado doméstico. La capacidad de transmitir corriente del conductor está determinada por el calibre del cable y la clasificación de temperatura de la aislación alrededor del cable.
- Debe adquirir un conector de conductos adecuado para completar la conexión del conducto a la caja de conexiones.

Conexiones eléctricas

⚠ ADVERTENCIA

- Las instalaciones nuevas de circuito derivado (1996 NEC), las casas móviles, los vehículos recreativos o las instalaciones en las que los códigos locales prohíben la conexión a tierra a través de un conductor neutral requieren una conexión de circuito derivado de 4 hilos.
- La conexión incorrecta del cableado doméstico de aluminio a los cables de cobre puede provocar descargas eléctricas o un incendio. Utilice únicamente conectores diseñados para unir cobre con aluminio y siga al pie de la letra el procedimiento recomendado por el fabricante.

- 1 Apague el disyuntor o quite los fusibles del circuito derivado del horno.
- 2 Con el horno ubicado directamente frente a la abertura del gabinete, conecte el conducto flexible a la caja de conexiones eléctricas. Coloque el conducto de manera tal que quede con un lazo natural sobre la parte superior del horno cuando este se instale.
- 3 Si los códigos locales permiten la conexión del conductor a tierra desde el marco al cable neutral (blanco), siga las instrucciones de conexión para un circuito de 3 hilos.
- 4 Si se utiliza en casas móviles, construcciones nuevas o un vehículo recreativo, o si los códigos locales no permiten la conexión del conductor a tierra desde el marco al cable

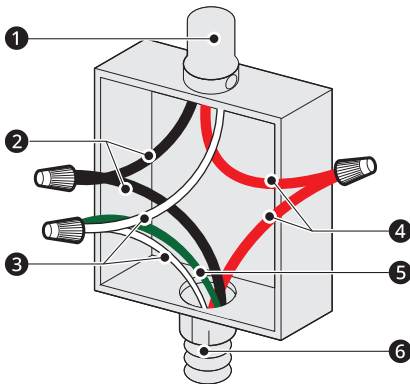
12 INSTALACIÓN

neutral (blanco), siga las instrucciones de conexión para un circuito de 4 hilos.

Conexión de circuito de 3 hilos al suministro de energía doméstico

⚠ ADVERTENCIA

- El hilo del medio (neutro o tierra), que es blanco, de un cable de alimentación de 3 hilos o un conducto de 3 hilos se debe conectar al poste medio del bloque de terminales principal. Los dos hilos restantes del cable de alimentación o del conducto se deben conectar a los postes exteriores del bloque de terminales principal. De lo contrario, podría causar lesiones personales graves, descargas eléctricas o la muerte.



- 1 Cable del suministro de energía doméstico
- 2 Cables negros
- 3 Cables blancos
- 4 Cables rojos
- 5 Cables de conexión a tierra verdes (o expuestos)
- 6 Conducto flexible de 4 hilos del horno

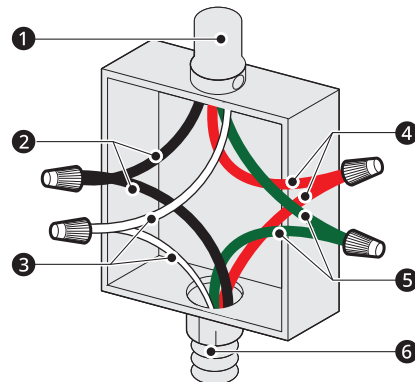
- 1 Conecte el cable a tierra (verde) del horno y el cable neutral (blanco) al cable neutral del circuito derivado (blanco o gris) con un conector de torsión.
- 2 Conecte el cable rojo del horno al cable rojo del circuito derivado (L2) en cumplimiento con los códigos locales, utilizando un conector de torsión.
- 3 Conecte el cable negro del horno al cable negro del circuito derivado (L1) en cumplimiento con los códigos locales, utilizando un conector de torsión.

- 4 Instale la tapa de la caja de conexiones.

Conexión de circuito de 4 hilos al suministro de energía doméstico

⚠ ADVERTENCIA

- Solo debe utilizar un juego de cable de alimentación de 4 conductores con un valor nominal de 120/240 voltios, 50 amperios y marcado para uso en cocinas de conectores de circuito cerrado o terminales de horquilla abiertos con los extremos hacia arriba. El hilo blanco del medio (neutro) del cable de alimentación o conducto de 4 hilos se debe conectar al borne medio del bloque de terminales principal. Los otros dos hilos del cable de alimentación o conducto se deben conectar a los bornes exteriores del bloque de terminales principal. El cuarto cable a tierra (verde) se debe conectar al marco del horno con el tornillo de conexión a tierra. De lo contrario, podría causar lesiones personales graves, descargas eléctricas o la muerte.



- 1 Cable del suministro de energía doméstico
- 2 Cables negros
- 3 Cables blancos
- 4 Cables rojos
- 5 Cables de conexión a tierra verdes (o expuestos)
- 6 Conducto flexible de 4 hilos del horno

- 1 Separe el cable a tierra y el cable blanco del horno si fuera necesario.
- 2 Conecte el cable a tierra (verde) del horno al cable a tierra (verde) del circuito derivado en cumplimiento con los códigos locales, utilizando un conector de torsión.

- 3 Conecte el cable blanco del horno al cable neutro (blanco o gris) del circuito derivado en cumplimiento con los códigos locales, utilizando un conector de torsión.
- 4 Conecte el cable rojo del horno al cable rojo del circuito derivado (L2) en cumplimiento con los códigos locales, utilizando un conector de torsión.
- 5 Conecte el cable negro del horno al cable negro del circuito derivado (L1) en cumplimiento con los códigos locales, utilizando un conector de torsión.
- 6 Instale la tapa de la caja de conexiones.

Instalación del horno y colocación de las puertas y el reborde decorativo inferior del horno

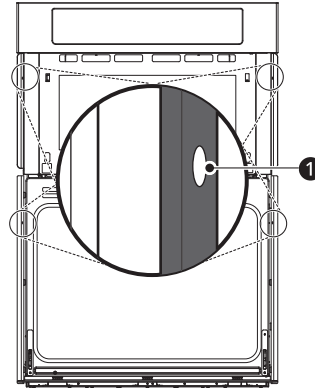
Instalación del horno

Instale el horno en el gabinete de la siguiente manera:

- 1 Tenga cuidado cuando levante el horno y use guantes para protegerse las manos de cualquier borde filoso.
- 2 Debe haber dos o más personas para levantar el horno o colocarlo dentro de la abertura del gabinete.
 - Enlace (no amarre) una cuerda de 36" (91 cm) alrededor del conducto antes de deslizar el horno en su lugar. Coloque la cuerda sobre la parte superior del horno y úsela para impedir que el conducto caiga detrás del horno.
 - Levante el horno dentro de la abertura del gabinete utilizando la cavidad del horno abierto como agarre. Con cuidado, empuje desde el marco frontal del horno. No haga presión sobre los bordes externos.
 - A medida que desliza el horno hacia atrás, tire del lazo para que el conducto quede sobre el horno con una curvatura natural.
 - Cuando esté seguro de que el conducto no obstruye el paso, deslice el horno 3/4 del recorrido hacia atrás dentro de la abertura. Quite la cuerda tirando de un extremo del lazo.

3 Asegure el horno.

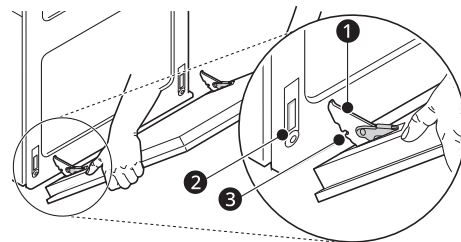
- Usando los orificios de montaje ① del reborde lateral del horno como guía, perforo orificios piloto para los tornillos provistos. (Para asegurar el horno, utilice un mínimo de 4 tornillos, uno en cada lado de los hornos superior e inferior).



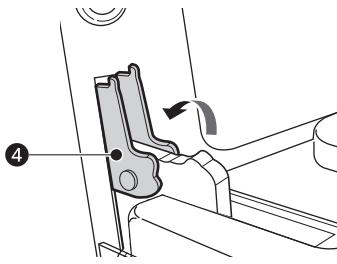
- Asegure el horno al gabinete con los tornillos provistos. Si el gabinete es de placa de partículas, debe utilizar tornillos de 3/4" para dicho material. Puede adquirirlos en cualquier ferretería.

Colocación de las puertas del horno

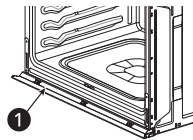
- 1 Tome firmemente ambos lados de la puerta desde la parte superior.
- 2 Con la puerta en el mismo ángulo que en la posición de remoción, apoye la hendidura ③ de los brazos de las bisagras ① en el borde inferior de las ranuras de las bisagras ②. Las muescas de los brazos de las bisagras deben estar totalmente apoyadas en el borde inferior de las ranuras.
- 3 Abra totalmente la puerta. Si la puerta no se abre por completo, la hendidura no está bien apoyada en el borde inferior de las ranuras.
- 4 Bloquee las trabas ④ girándolas nuevamente hacia las ranuras del marco del horno hasta que se cierren correctamente.



14 INSTALACIÓN



5 Cierre la puerta del horno.

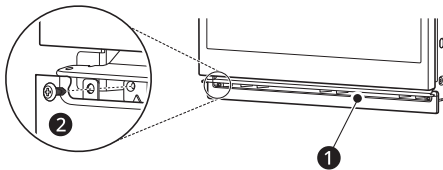


1 Reborde inferior de ventilación

NOTA

- Cuando instale la puerta del horno, tenga cuidado de no golpear el reborde inferior de ventilación.
- Mantenga las ventilaciones del horno sin obstrucciones. Reemplace el reborde inferior de ventilación si se dobla o deforma. Nunca bloquee la ventilación con elementos termosensibles o de plástico.

Colocación del reborde decorativo inferior



1 Reborde decorativo inferior

- Después de instalar el horno en el gabinete, coloque el reborde decorativo inferior con 2 tornillos **2** (4X10).

Pruebe el horno antes de usarlo

Cada una de las funciones se comprobó en la fábrica antes del despacho. Sin embargo, le sugerimos que verifique el funcionamiento del horno una vez más. Consulte el Manual del Propietario. Siga las instrucciones para la verificación básica.

- Encienda el suministro de alimentación. Suenará la señal inicial y el segmento del reloj aparece en la pantalla.

NOTA

- Según el modelo, algunas de las funciones pueden no estar disponibles.

Comunes

- 1** Encienda el suministro de alimentación. Sonará la señal inicial.
- 2** Verifique el funcionamiento del modo Broil (Asar).
 - Configure el horno en la función asar; el elemento calentador superior del horno debe volverse rojo. Pasados unos minutos, abra parcialmente la puerta del horno. Debe sentir el calor que emana del interior. Pulse **Stop** (Detener).
- 3** Verifique el funcionamiento del modo Convection Bake (Hornear por convección).
 - Luego de configurar el horno en 350 °F/ 177 °C para hornear por convección, se debe poner en marcha el ventilador dentro del horno, con la puerta cerrada. Pulse **Stop** (Detener).
- 4** Encienda y apague la luz del horno para comprobar que las luces se encuentran en condiciones.

Horno superior

- 1** Coloque un bol de vidrio lleno de agua en el horno superior.
- 2** Encienda el microondas por 1 minuto. El agua debe estar caliente.
- 3** Pulse **Stop** (Detener).

Horno inferior

- 1** Verifique el funcionamiento del modo Bake (Hornear).
 - Después de configurar el horno a 350 °F/ 177 °C para hornear, la temperatura del horno en la pantalla debe aumentar. Pulse **Stop** (Detener).

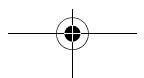
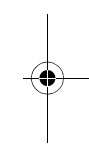
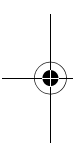
- 2** Verifique el funcionamiento del quemador para cada modo de convección.
- Después de configurar el horno en 350 °F/ 177 °C para cada modo de convección, el elemento calentador posterior debe iluminarse y se debe poner en marcha el ventilador dentro del horno con la puerta cerrada.

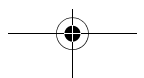
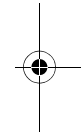
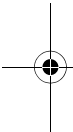
NOTA

- Es posible que perciba un poco de humo u olor durante los primeros usos del electrodoméstico.
- Si el horno no funciona correctamente o aparece F- junto con un número en la pantalla, consulte la lista de Resolución de problemas en el Manual del propietario. La lista incluye situaciones comunes que no se deben a defectos en los materiales o la fabricación del producto. Si el problema se produce de manera continua, comuníquese con el vendedor.
- Consulte la Garantía, en el Manual del propietario, para obtener el número telefónico gratuito del servicio de LG y su dirección.



16 Memorándum







LG Customer Information Center

For inquiries or comments,
visit www.lg.com or call:

1-800-243-0000 U.S.A.
1-888-542-2623 CANADA

Register your product Online!

www.lg.com