

Single-Door All Refrigerator and All Freezer Trim Kit Installation

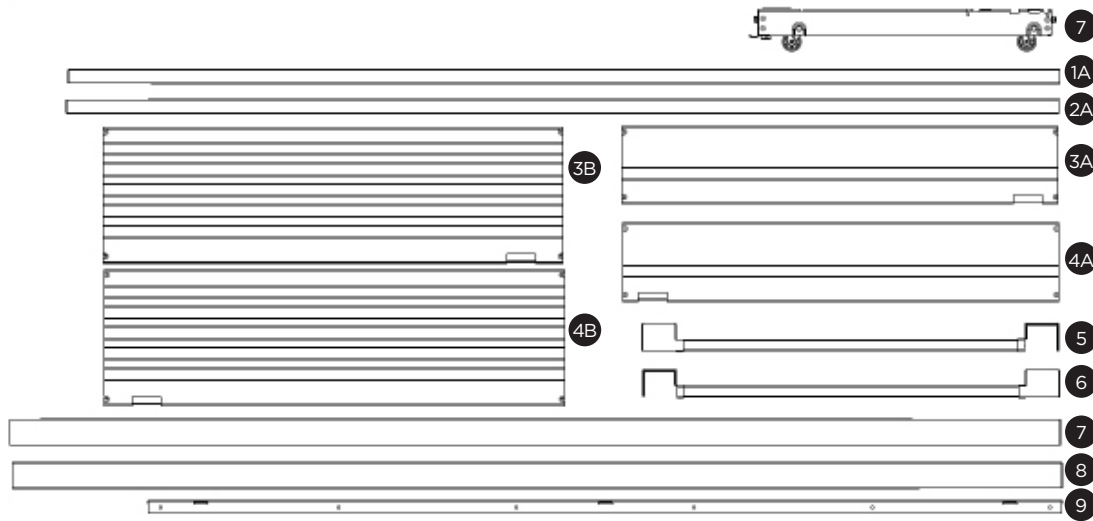
Product Line: All Refrigerator and All Freezer Models

Serial Number Range: All Serial Number Ranges

Single Trim Kit Components (79" & 84" Tall Cabinet Cutouts)

Brand		Kit #	Single Trim Kit #
Frigidaire Professional		TRMKTEZ1FL79	A16405201
Item #	Part Number	Description	Qty
1A	A18684901	Side Trim, RH	1
2A	A18684902	Side Trim, LH	1
3A	A16766503	Top Trim, Flat RH	1
4A	A16766505	Top Trim, Flat LH	1
5	A18684505	Toe Kick, RH	1
6	A18684507	Toe Kick, LH	1
7	A17111301	Leveler Assembly	2
8	A20841303	Hardware Pack U19, Single	1

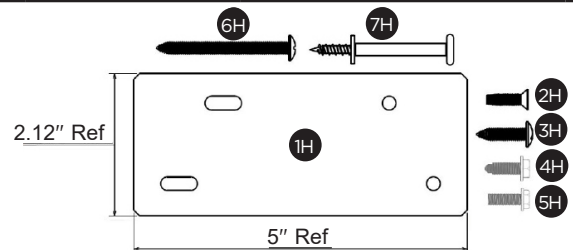
Brand		Kit #	Single Trim Kit #
Electrolux		TRMKTSSILV84	A19895901
Item #	Part Number	Description	Qty
1B	A19036503	Side Trim, RH	1
2B	A19036504	Side Trim, LH	1
3B	A19036402	Top Trim, Louver RH	1
4B	A19036403	Top Trim, Louver LH	1
5	A18684506	Toe Kick, RH	1
6	A18684508	Toe Kick, LH	1
7	A17111301	Leveler Assembly	2
8	A20841304	Hardware Pack U19, Single	1
9	A19036701	Side Trim Attachment	2



Hardware Pack A20841303			
ITEM	PART NUMBER	DESCRIPTION	QTY
1H	A18695801	Tie-Bar, Top	1
2H	297142600	Screw, Flathead, #8-32	2
3H	050149	Screw, Round, #8-18	4
4H	A16955502	Bolt, M5 x 16	6
5H	A21188301	Bolt, 1/4-20	2
6H, 7H	A20706101	Trim Base Screw	1

Hardware Pack A20841304			
ITEM	PART NUMBER	DESCRIPTION	QTY
1H	A18695801	Tie-Bar, Top	1
2H	297142600	Screw, Flathead, #8-32	2
3H	050149	Screw, Round, #8-18	12
4H	A16955502	Bolt, M5 x 16	6
5H	A21188301	Bolt, 1/4-20	2

NOTE: All Hardware Pack components mentioned throughout this instruction sheet will have an "H" after the item number.



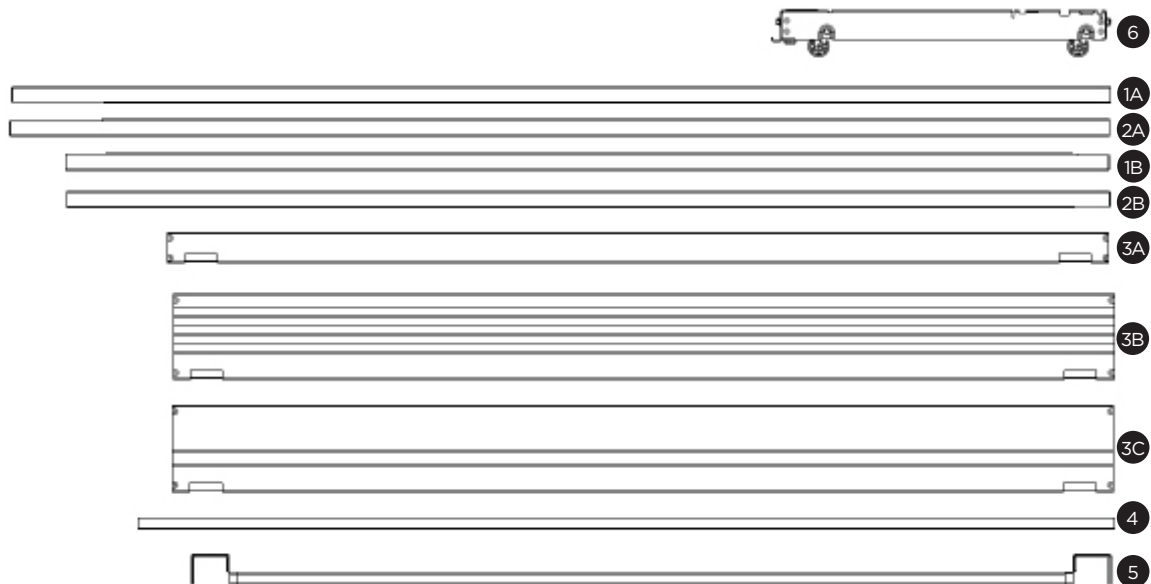
Dual Trim Kit Components (75" & 79" Tall Cabinet Cutouts)

Brand		Kit #	Dual Trim Kit #
Frigidaire		TRMKTEZ2FL75	A18643301
Item #	Part Number	Description	Qty
1B	A18685001	Side Trim, RH	1
2B	A18685002	Side Trim, LH	1
3A	A18694901	Top Trim, Collar	1
4	A18685101	Center Trim	1
5	A18684501	Toe Kick	1
6	A17111301	Leveler Assembly	4
7	A20841301	Hardware Pack U19, Single	1

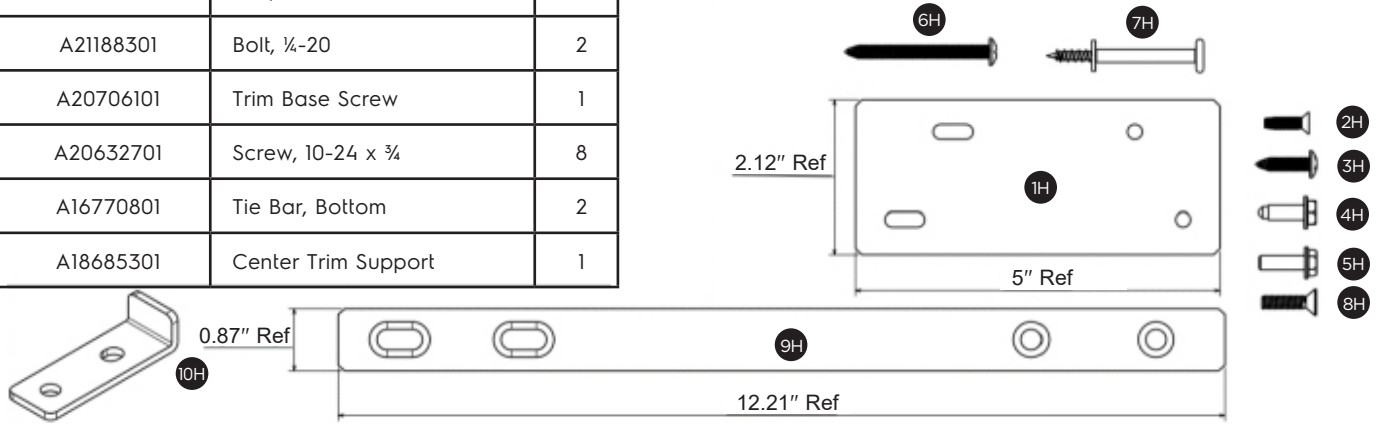
Brand		Kit #	Dual Trim Kit #
Frigidaire		TRMKTEZ2LV79	A16405401
Item #	Part Number	Description	Qty
1A	A18684901	Side Trim, RH	1
2A	A18684902	Side Trim, LH	1
3B	A18804301	Top Trim, Louver	1
4	A18685101	Center Trim	1
5	A18684501	Toe Kick	1
6	A17111301	Leveler Assembly	4
7	A20841301	Hardware Pack U19, Single	1

Brand		Kit #	Dual Trim Kit #
Frigidaire		TRMKTEZ2FL79	A16404901
Item #	Part Number	Description	Qty
1A	A18684901	Side Trim, RH	1
2A	A18684902	Side Trim, LH	1
3C	A16766501	Top Trim, Flat	1
4	A18685101	Center Trim	1
5	A18684501	Toe Kick	1
6	A17111301	Leveler Assembly	4
7	A20841301	Hardware Pack U19, Single	1

Brand		Kit #	Dual Trim Kit #
Electrolux		TRMKTSS2FL79	A16404902
Item #	Part Number	Description	Qty
1A	A18684903	Side Trim, RH	1
2A	A18684904	Side Trim, LH	1
3C	A16766502	Top Trim, Flat	1
4	A18685102	Center Trim	1
5	A18684502	Toe Kick	1
6	A17111301	Leveler Assembly	4
7	A20841301	Hardware Pack U19, Single	1

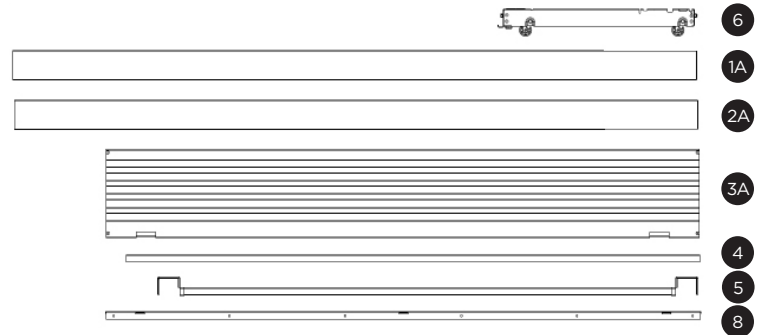


Hardware Pack A20841301			
ITEM	PART NUMBER	DESCRIPTION	QTY
1H	A18695801	Tie-Bar, Top	1
2H	297142600	Screw, Flathead, #8-32	2
3H	050149	Screw, Round, #8-18	4
4H	A16955502	Bolt, M5 x 16	6
5H	A21188301	Bolt, ¼-20	2
6H, 7H	A20706101	Trim Base Screw	1
8H	A20632701	Screw, 10-24 x ¾	8
9H	A16770801	Tie Bar, Bottom	2
10H	A18685301	Center Trim Support	1

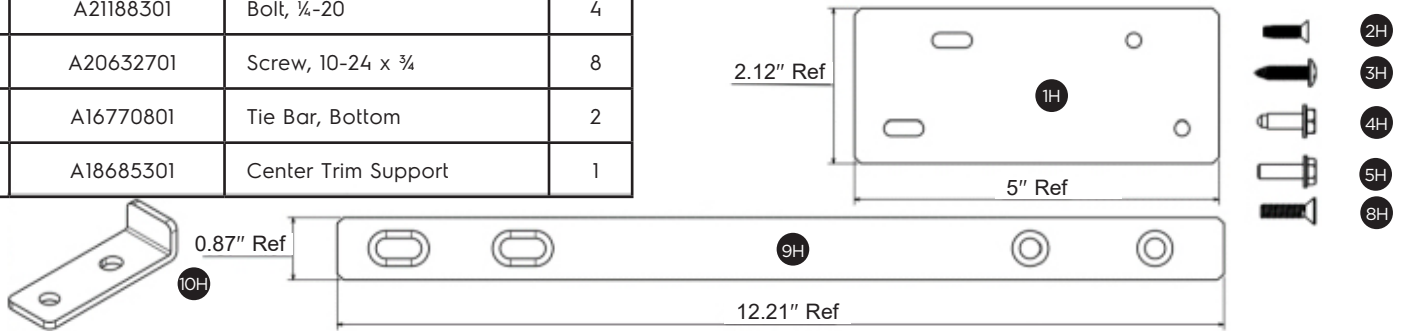


Dual Trim Kit Components (84" Tall Cabinet Cutouts)

Brand		Kit #	Dual Trim Kit #
Electrolux		TRMKTSS2LV84	A16405301
Item #	Part Number	Description	Qty
1A	A19036501	Side Trim, RH	1
2A	A19036502	Side Trim, LH	1
3A	A19036401	Top Trim, Louver	1
4	A18685102	Center Trim	1
5	A18684502	Toe Kick	1
6	A17111301	Leveler Assembly	4
7	A20841302	Hardware Pack U19, Double	1
8	A19036701	Side Trim Attachment	2



Hardware Pack A20841301			
ITEM	PART NUMBER	DESCRIPTION	QTY
1H	A18695801	Tie-Bar, Top	1
2H	297142600	Screw, Flathead, #8-32	2
3H	050149	Screw, Round, #8-18	12
4H	A16955502	Bolt, M5 x 16	14
5H	A21188301	Bolt, ¼-20	4
8H	A20632701	Screw, 10-24 x ¾	8
9H	A16770801	Tie Bar, Bottom	2
10H	A18685301	Center Trim Support	1



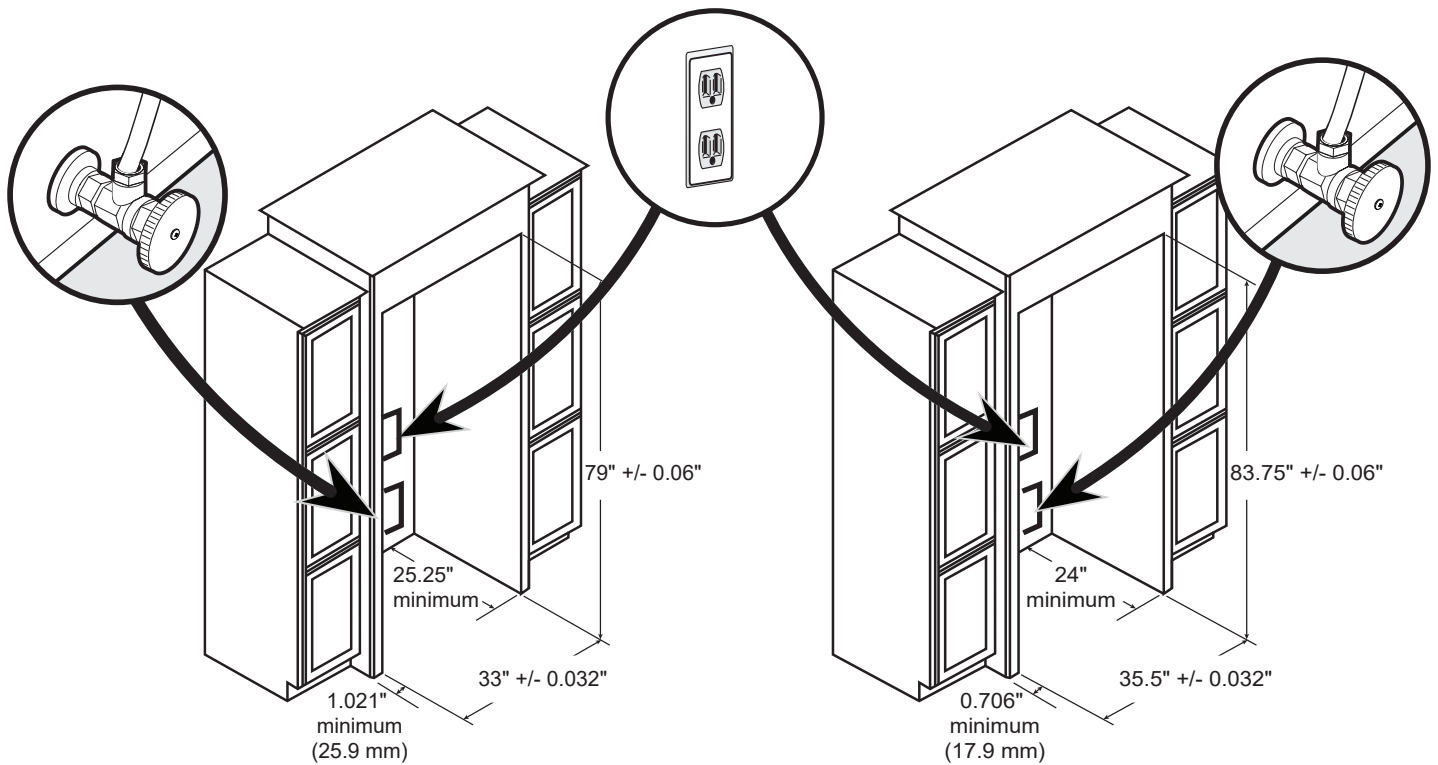
Single Trim Kits (79" & 84" Tall Cabinet Cutouts)

TRMKTEZ1FL79 (Frigidaire)

TRMKTSSILV84 (Electrolux)

 **IMPORTANT**

Make sure there are two separate dedicated grounding-type duplex wall outlets for the freezer and the refrigerator as specified in the Use & Care Manual.

**Cabinet Cutout Dimensions**

Use these dimensions to build kitchen cabinet openings for the refrigerator and freezer.

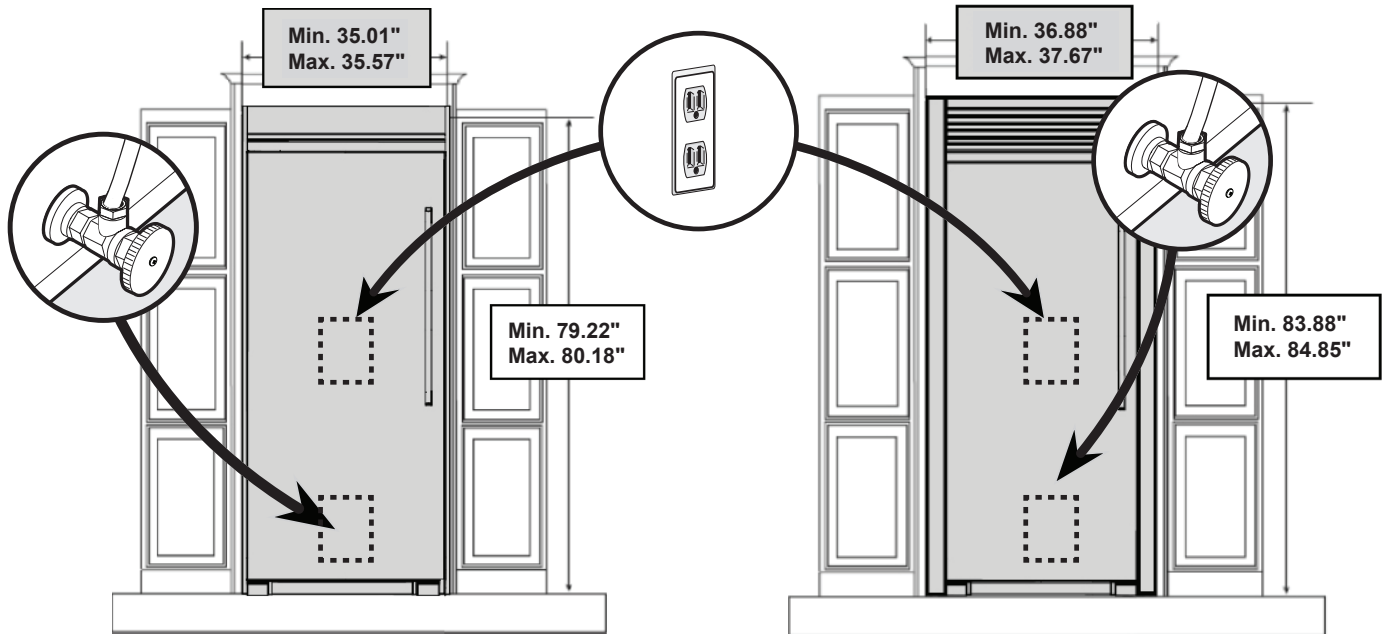
Single Trim Kits (79" & 84" Tall Cabinet Cutouts)

TRMKTEZ1FL79 (Frigidaire)

TRMKTSSILV84 (Electrolux)

 **IMPORTANT**

Make sure there are two separate dedicated grounding-type duplex wall outlets for the freezer and the refrigerator as specified in the Use & Care Manual.

**Trim Kit Finished Dimensions**

Use these dimensions to layout adjoining cabinet door, drawers, and shelves.

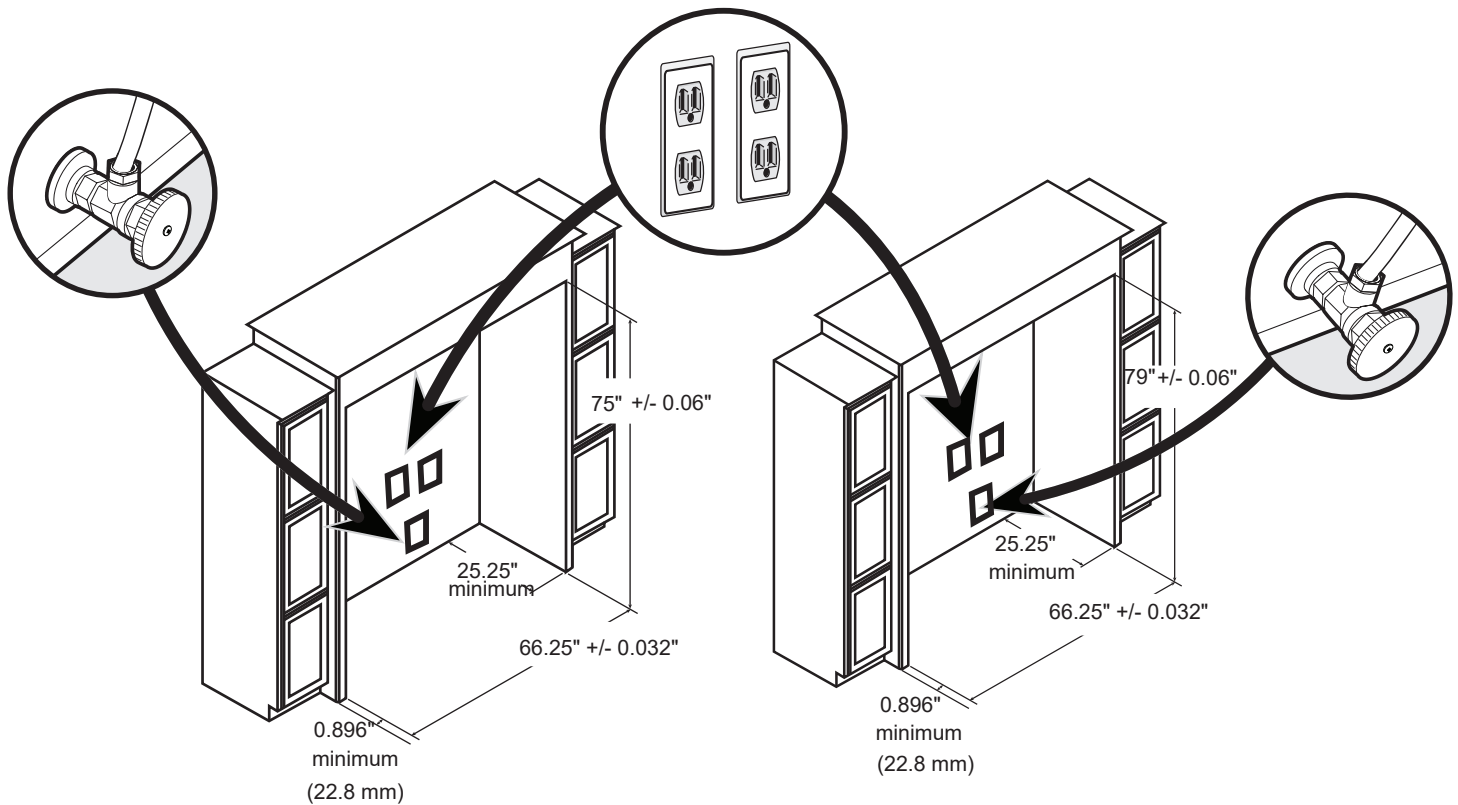
Dual Trim Kits (75" & 79" Tall Cabinet Cutouts)

IMPORTANT

Use two recessed duplex electrical outlets and a recessed water shutoff valve for a 24" minimum opening. For new construction, use a 25.25" cabinet depth dimension.

NOTE

To install a dual trim kit or a pairing kit, a partition cannot exist between the Freezer and the Refrigerator.

TRMKTEZ2FL75 (Frigidaire)**TRMKTEZ2FL79 (Frigidaire)****TRMKTSS2FL79 (Electrolux)****TRMKTEZ2LV79 (Frigidaire)****Cabinet Cutout Dimensions**

Use these dimensions to build kitchen cabinet openings for the refrigerator and freezer.

Dual Trim Kits (75" & 79" Tall Cabinet Cutouts)

IMPORTANT

Use two recessed duplex electrical outlets and a recessed water shutoff valve for a 24" minimum opening. For new construction, use a 25.25" cabinet depth dimension.

NOTE

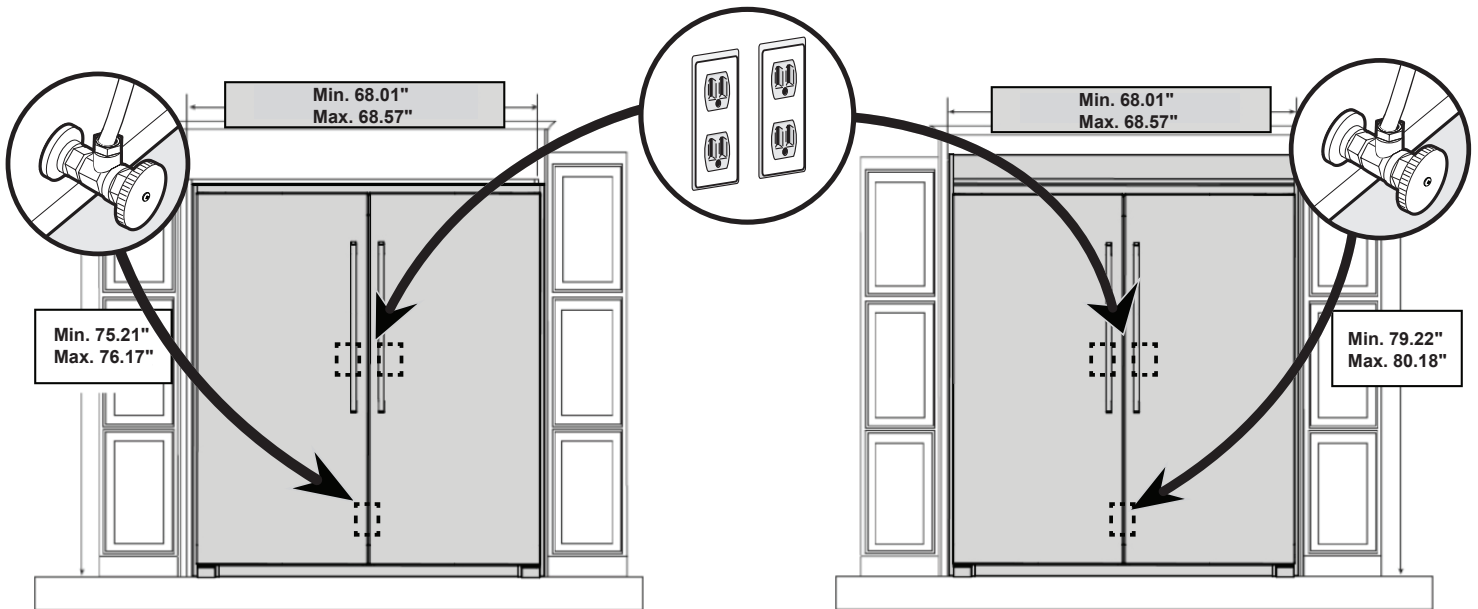
To install a dual trim kit or a pairing kit, a partition cannot exist between the Freezer and the Refrigerator.

TRMKTEZ2FL75 (Frigidaire)

TRMKTEZ2FL79 (Frigidaire)

TRMKTSS2FL79 (Electrolux)

TRMKTEZ2LV79 (Frigidaire)

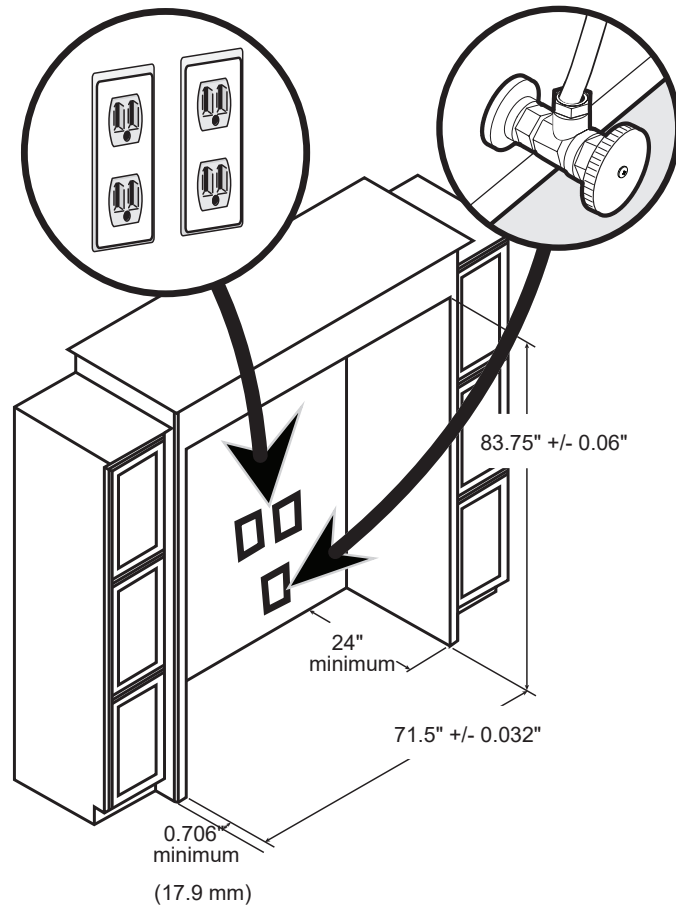
**Trim Kit Finished Dimensions**

Use these dimensions to layout adjoining cabinet door, drawers, and shelves.

Dual Trim Kits (84" Tall Cabinet Cutouts)

TRMKTEZ2LV84 (Frigidaire)

TRMKTSS2LV84 (Electrolux)

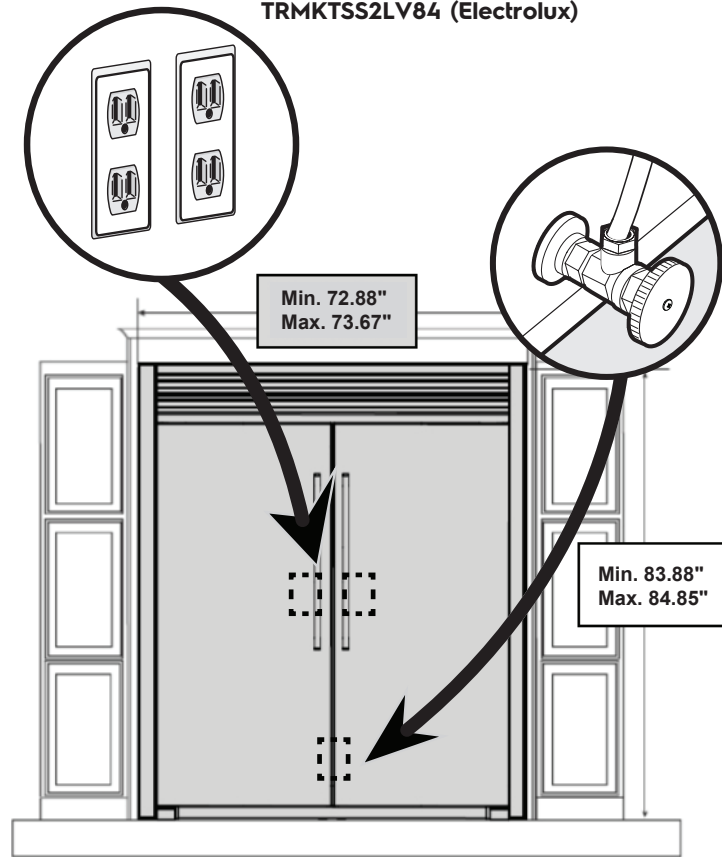
**Cabinet Cutout Dimensions**

Use these dimensions to build kitchen cabinet openings for the refrigerator and freezer.

Dual Trim Kits (84" Tall Cabinet Cutouts)

TRMKTEZ2LV84 (Frigidaire)

TRMKTSS2LV84 (Electrolux)



Trim Kit Finished Dimensions

Use these dimensions to layout adjoining cabinet door, drawers, and shelves.

IMPORTANT

Use two recessed duplex electrical outlets and a recessed water shutoff valve for a 24" minimum opening. For new construction, use a 25.25" cabinet depth dimension.

Safety: Always wear safety glasses when using power tools.

Tools Needed:

- Phillips™ Screwdriver
- Flathead Screwdriver
- Safety Glasses
- $\frac{3}{8}$ " & $\frac{5}{16}$ " Socket Wrench
- Power Drill and $\frac{5}{16}$ " Nut Driver Bit
- $\frac{3}{8}$ " Nut Driver
- Step Ladder
- Tape Measure
- Gloves
- Level

Before You Begin

- Be careful when unpacking components. Do not use sharp objects when removing packaging material. This may scratch the surface of trim components.
- Handle the metal trim pieces with extreme care as corners damage easily if dropped.

Instructions for Dual Installation Trim Kits:

- TRMKTEZ2FL75 (Frigidaire)
- TRMKTEZ2LV79 (Frigidaire)
- TRMKTEZ2FL79 (Frigidaire)
- TRMKTSS2FL79 (Electrolux)
- TRMKTSS2LV84 (Electrolux)
- TRMKTEZ2LV84 (Frigidaire)

Power and Water Line Connection

NOTE

Refer to the Use & Care Manual for power requirements and water supply hookup before proceeding. Find **Service Kit TTFLTRICEKIT** at ElectroluxAppliances.com for connecting the water line and filtering ice.

NOTE

If freezer unit is compatible with water filter kit, please see filtered water kit instructions.

CAUTION

Appliances are heavy. Installation requires two people.

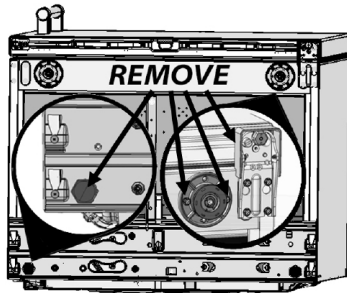
IMPORTANT

Make sure there are two separate outlets for the freezer and the refrigerator.

Leveling System Installation

1. a. Lay the refrigerator and

freezer on their backs on packing material or a drop cloth to prevent damage and protect the floor.



- b. Remove all 4 rear leg

levelers from the 2 units by unscrewing counterclockwise (Fig. 1A), and store them with your Product Literature.



- c. Remove all 4 front leg levelers from the 2 units by unscrewing the outer peg and 2 bolts on each front leveler with a $\frac{5}{16}$ " nut driver and store them with your Product Literature. Remove the hinge cover if it is installed (Fig 1B).

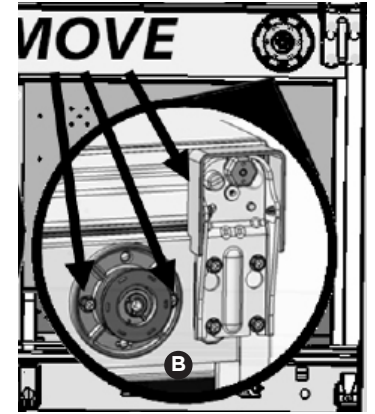


Fig. 1

2. Lay the parts out on a cleared area face down. Be sure to place a drop cloth over the floor to prevent scratching the trim kit and/or floor (Fig. 2).

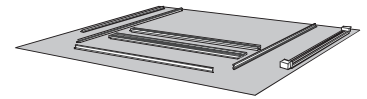


Fig. 2

3. a. Fit the first Leveler Assembly onto a refrigerator/freezer (Fig. 3).

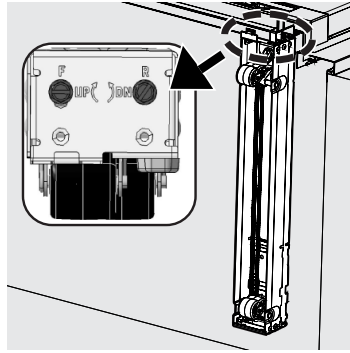


Fig. 3

- b. Using a 5H bolt and a power drill, fasten the bottom of the Leveler Assembly with a $\frac{5}{8}$ " hex drill bit in whichever hole overlaps the screw hole (Fig. 4).
Note: The rear of the bracket is contoured to slip over the metal compressor base. Driving the rear bolt first will ensure proper alignment of the lever assembly.
- c. Using the 4H bolts from step 1, fasten the front of the Leveler Assembly to the refrigerator/freezer using a $\frac{5}{16}$ " nut driver (Fig. 5).

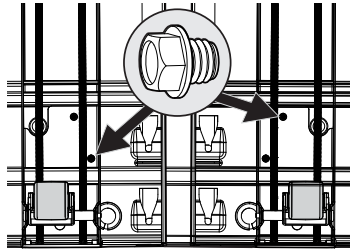


Fig. 4

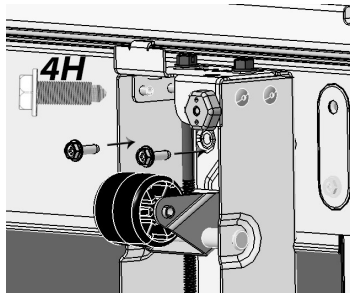


Fig. 5

For steps 3b and 3c, if you require more space for nut driver clearance, rotate the bolt labeled **F** clockwise (Fig. 6) using a flathead screwdriver or a $\frac{3}{8}$ " socket wrench.

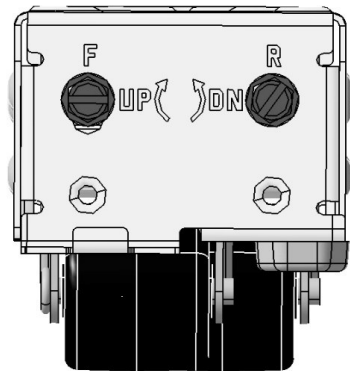


Fig. 6

- d. Attach remaining 3 Leveler Assemblies as described in the previous 3 steps using the remaining six 4H bolts and the remaining three 5H bolts. With the unit(s) still on their backs, adjust all leveling wheels to approximately the orientation in Fig. 7.

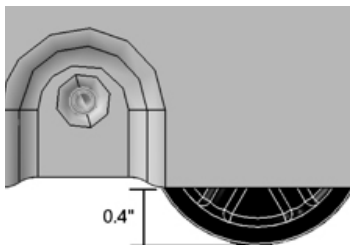


Fig. 7

Trim Kit Center Trim Support

4. With the refrigerator still on its back, use a $\frac{5}{16}$ " nut driver to remove two 4H bolts and fasten the 10H L-Bar (Fig. 8).
Note: The short flange on L-Bar should be facing upward toward the top of the refrigerator.

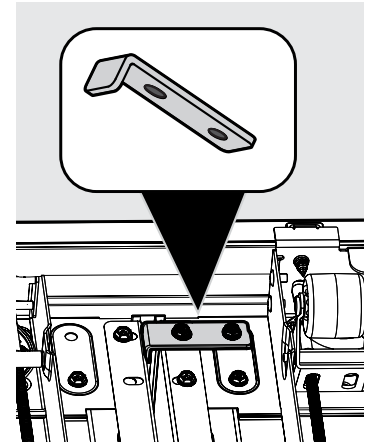


Fig. 8

5. Stand both units upright.

CAUTION
 The cabinet is heavy. We recommend two people to lift or move the cabinet.

Pairing Kit Installation

Before cleaning your appliance, turn off power to your appliance by unplugging the power cord from the electrical outlet. Wipe down both sides of the refrigerator and the freezer.

NOTE

Never use CHLORIDE to clean stainless steel. Clean stainless-steel front and handles with non-abrasive soapy water and a dishcloth. Rinse with clean water and a soft cloth. Wipe stubborn spots with an ammonia-soaked paper towel, and rinse. Use a non-abrasive stainless-steel cleaner, such as **Frigidaire ReadyClean™ Stainless Steel Cleaner** found on Frigidaire.com. Always follow the manufacturer's instruction.

NOTE

Always, clean, wipe and dry with the grain to prevent scratching. Wash the rest of the cabinet with warm water and mild liquid detergent. Rinse well and wipe dry with a clean soft cloth.

CAUTION

Use gloves for the next step.

NOTE: Before removing the paper backing, align the heaters to ensure the wires exit toward the center and rear of refrigerator/freezer (as shown in Fig 9).

6. Peel off the paper backing from the first heater.
7. Adhere the first heater to the lower right side of the left-side unit (0.5" from the bottom and 0.5" from the back wall) so the harnesses come out at the top.

NOTE: Make sure you adhere the heater completely with no air pockets (Fig. 9A).

8. Peel off the paper backing from the second heater.
9. Adhere the second heater to the upper left side of the right-side unit (0.5" from the top and 0.5" from the back wall) so the harnesses come out at the bottom.

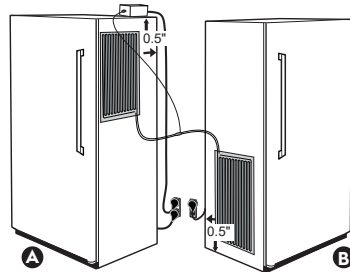


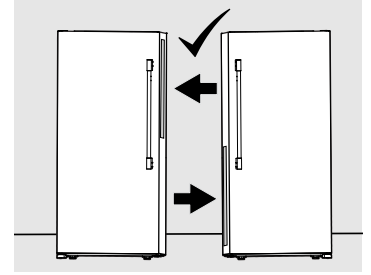
Fig. 9

NOTE: Make sure you adhere the heater completely with no air pockets (Fig. 9B). For better adhesion remove the yellow label on the side of the cabinet

NOTE: For the best results, please use the configurations of the heaters mentioned (Freezer- top right side and Refrigerator bottom left side).

Avoid:

- Both heaters on the Freezer
- Both heaters on the Refrigerator
- Both heaters on the top
- Both heaters on the bottom
- Both heaters in the center



10. Plug in the connector of the two **Heaters A** into the **Power Supply C** (Fig. 10).

NOTE: You cannot feel the heater temperature as the pads barely heat up.

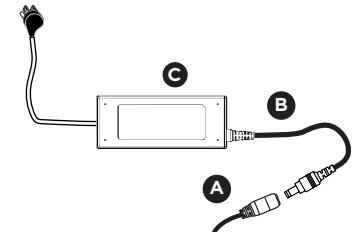


Fig. 10

NOTE: Confirm the power supply fits into the cutout when placed on top of the unit. Also confirm the power supply reaches the power outlet when placed on top of the unit (Fig. 11A). The extra wire length is provided to accommodate receptacle location.

11. Apply the 2 strips of double-sided tape to the power supply and adhere the power supply on top of the unit (Fig. 11B).

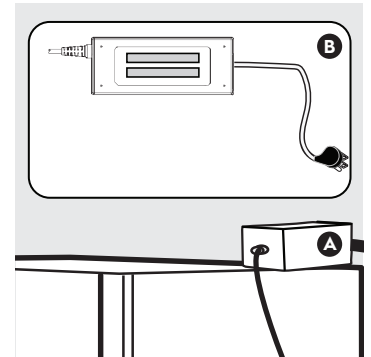


Fig. 11

12. If the power supply cannot be placed on top of the unit, adhere it vertically on the back wall of the unit and make sure the connection of the 3-prong connector to the power supply is facing down (Fig. 12).

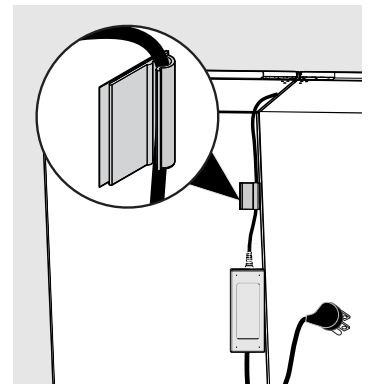


Fig. 12

13. Use the clips provided to hold the excess power cords to the back of the units such that all wires are away from the floor (Fig. 13).

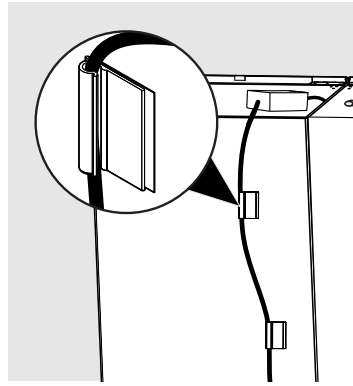


Fig. 13

NOTE: Make sure the harnesses and cables are cleared off the floor before the units are pushed back in place. This will prevent any damage to the wires.

NOTE: The location of clips shown is an example.

14. Plug the power supply into the main outlet before pushing the units into the final position.

Trim Kit Tie Bar Installation

IMPORTANT

- Before proceeding with trim installation, make sure both refrigerator and freezer are leveled front to back and side to side.
- Make sure all 8 wheels are touching the floor.

15. Having the refrigerator/freezer standing side by side 1/2" apart, fasten a 9H bracket to the front of the Levelers (Fig. 14), keeping the left-side 8H screws loose.

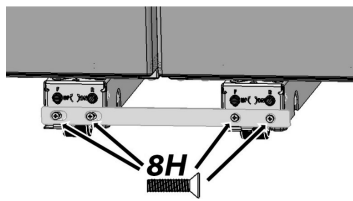


Fig. 14

Hand tighten only!

NOTE: One side of the bracket is slotted for fine adjustments in step 18c.

16. Attach the other 9H bracket to the rear levelers (Fig. 15), keeping the right screws loose.

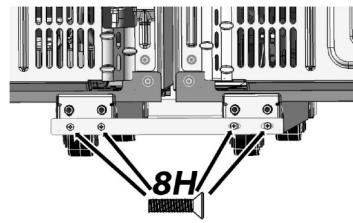


Fig. 15

Hand tighten only!

17. Attach the 1H top tie bar (Fig. 16), keeping the 2 left 4H bolts loose.

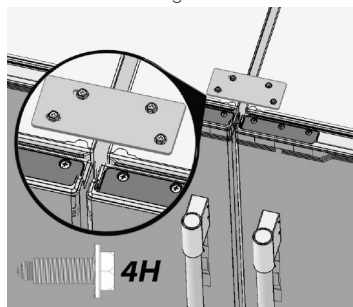


Fig. 16

18.
 - a. Open the doors and place the middle trim in between the 2 units.
 - b. Adjust the proximity of the units as needed to centralize the middle trim. Start by fastening the screws on top 1H bracket in order to evenly space the Center Trim (Fig. 17).

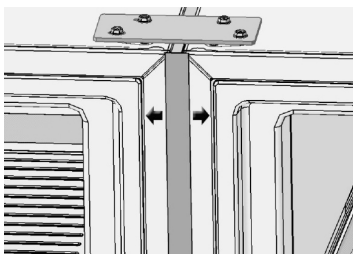


Fig. 17

- c. Fasten the four 8H screws (Fig. 14 and 15) through 2 front and back 9H brackets. You may need several adjustments for the center trim to be consistently flush and centered to the units.

NOTE: Before continuing, ensure doors close without interference and remain parallel. Adjusting the height of the wheels can help remedy door alignment issues. Refer to **INSTALLATION** in the Use & Care Manual to adjust the door height

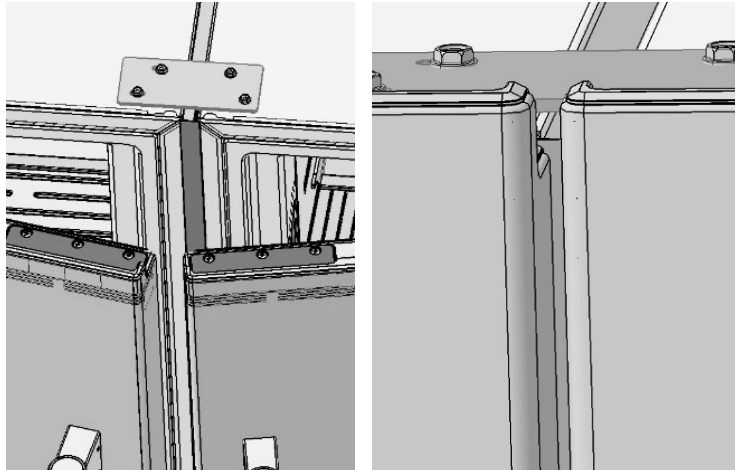


Fig. 18

NOTE

Before proceeding plug in units and verify they are functioning properly.

NOTE

Some cabinet substrates may require pre-drilling holes using a 1/8" (3 mm) diameter drill bit

Electrolux TRMKTS2LV84 Side Trim Attachment Setup (some models)

19. Using eight 3H screws and a power drill, attach the two Side Trim Attachment brackets to the front left and right cabinet cut-out edges with the brackets touching the floor (Fig. 19). Ensure the rectangular slots extend over the cabinet edge.

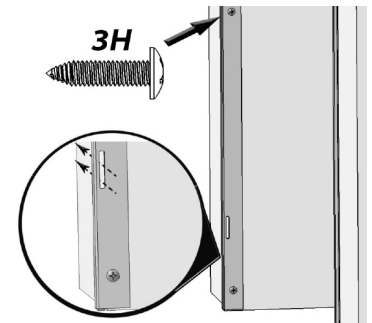


Fig. 19

Side Trim Attachment Setup For:
TRMKTEZ2FL75 (Frigidaire)
TRMKTEZ2LV79 (Frigidaire)
TRMKTEZ2FL79 (Frigidaire)
TRMKTS2FL79 (Electrolux)

20. Depending on which long screw you received (6H or 7H), screw a long screw into the lower left (Fig. 20A) of the front wall cabinet, close to the location shown in Fig. 20B.
21. Repeat step 20 for the right side of the wall cabinet using the other 6H/7H screw.

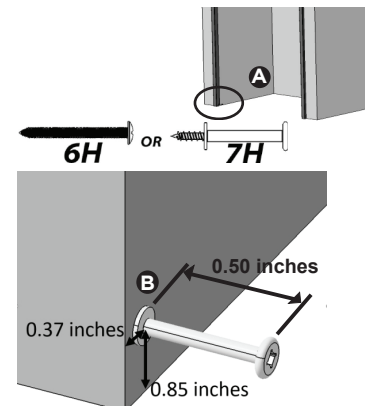


Fig. 20

NOTE: The depth of the screw will vary depending on the cabinet cutout final dimensions. We recommend you leave approximately 1/2" of screw extending away from the cabinet wall.

Top Trim Attachment

NOTE
You will need a step ladder to install top trim components.

- 22. a. Remove the front outer hinge screws, common on both sides of the dual installation, as well as the front two 4H screws that fasten the 1H Tie Bar (Fig. 21).
- b. Roll the dual installation into the cabinet, roughly $\frac{3}{4}$ of the way in, ensuring the product is centered in the cabinet cutout.
- c. Install the top trim by fastening four 4H screws along the base of the trim with a $\frac{5}{16}$ " socket wrench (Fig. 22).
- 23. a. Slide the dual installation into place, and make sure it is center inside the cabinets.
- b. Drill $\frac{1}{8}$ " pilot holes and fasten two 3H screws on the right side of the Top Trim (one screw per side for Collared top trim) with a Phillips screwdriver to the cabinets (Fig. 23).
- c. Repeat for the left side.

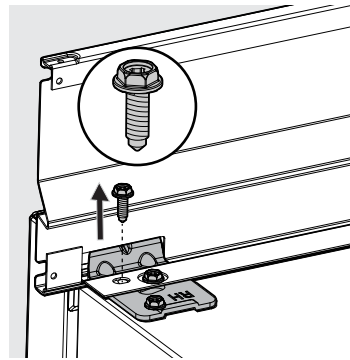


Fig. 21

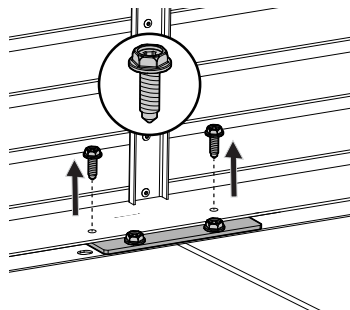


Fig. 22

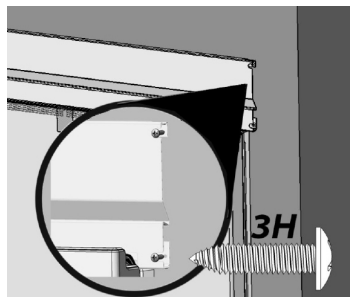


Fig. 23

Side Trim Installation For:

- TRMKTEZ2FL75 (Frigidaire)**
- TRMKTEZ2LV79 (Frigidaire)**
- TRMKTEZ2FL79 (Frigidaire)**
- TRMKTSS2FL79 (Electrolux)**

- 24. a. Place side trims in position by dropping them over the placement screw as seen in Fig. 21 and fitting over the top trim (Fig. 24).

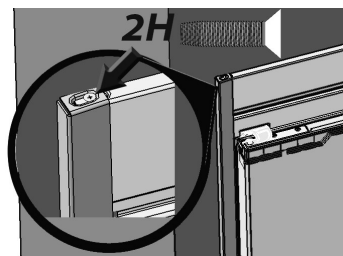


Fig. 24

Electrolux TRMKTSS2LV84 Side Trim Installation

- 25. a. Slide the left Side Trim into place by carefully guiding the Side Trim Attachment slots. Fig. 25 shows an inside view.
- b. Fasten 2H screws to the top trim (Fig. 26) and repeat for the right hand side.
Hand tighten only!

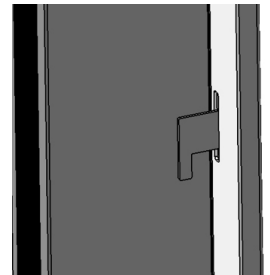


Fig. 25

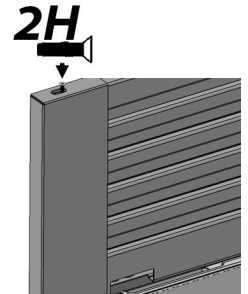


Fig. 26

- 26. a. Carefully place the Toe Kick slots over the 4 Leveler Assembly Tabs. The first Leveler Assembly tab is circled in Fig. 27, the second and third tabs are circled in Fig. 28, and the fourth tab is circled in Fig. 29.
- b. Adjust the Toe kick until the magnets are engaged to the Leveler Assembly and the Toe Kick is resting vertically in place.

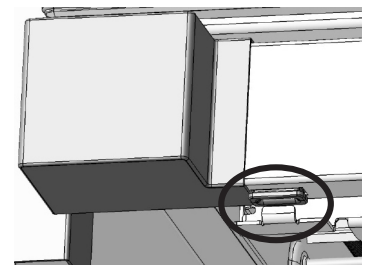


Fig. 27

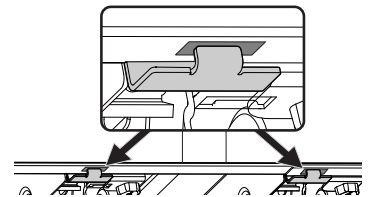


Fig. 28

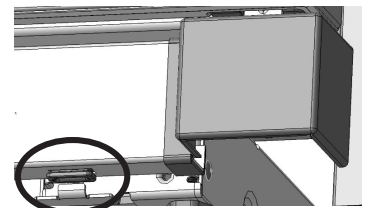


Fig. 29

Instructions for Single Installation Trim Kits:

TRMKTEZ1FL79 (Frigidaire)

TRMKTSSILV84 (Electrolux)

CAUTION

Appliances are heavy. Installation requires two people.

Leveling System Installation

1.
 - a. Lay the unit on its back on packing material or a drop cloth to prevent damage and protect the floor.
 - b. Remove both rear leg levelers by unscrewing counterclockwise (Fig. 1A), and store them with your Product Literature.
 - c. Remove both front leg levelers by unscrewing the outer peg and 2 bolts on each front leveler with a $\frac{5}{16}$ " nut driver. Remove the hinge cover if it is installed (Fig 1B), and store them with your Product Literature.
2. Lay the parts out on a cleared area face down. Be sure to place a drop cloth over the floor to prevent scratching the trim kit and/or floor (Fig. 2).
3.
 - a. Fit the first Leveler Assembly onto a refrigerator/freezer (Fig. 3).

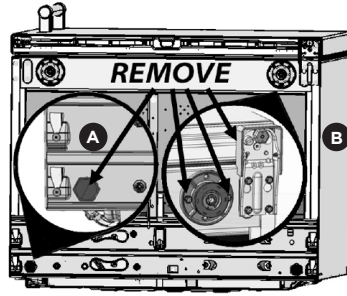


Fig. 1

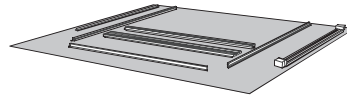


Fig. 2

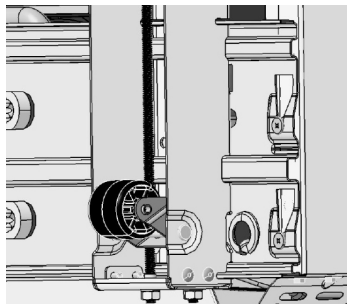


Fig. 3

- b. Using a 5H bolt and a power drill, fasten the bottom of the Leveler Assembly with a $\frac{5}{8}$ " hex drill bit in whichever hole overlaps the screw hole (Fig. 4).

Note: The rear of the bracket is contoured to slip over the metal compressor base. Driving the rear bolt first will ensure proper alignment of the lever assembly.

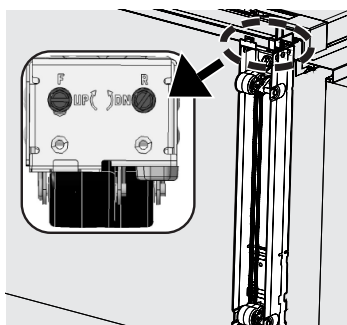


Fig. 4

- c. Using the 4H bolts from step 1, fasten the front of the Leveler Assembly to the refrigerator/freezer using a $\frac{5}{16}$ " nut driver (Fig. 5). For steps 3b and 3c, if you need more space for the nut driver clearance, rotate the bolt labeled "F" clockwise (Fig. 6) using a flathead screwdriver or a $\frac{3}{8}$ " socket wrench.

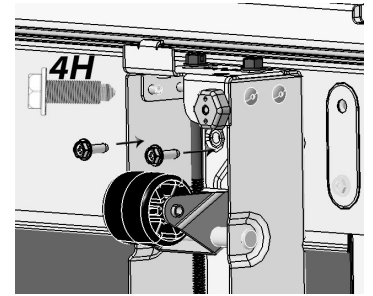


Fig. 5

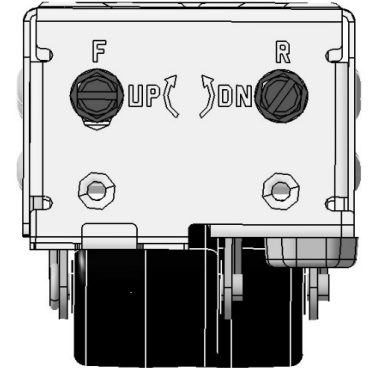


Fig. 6

- d. Attach the remaining Leveler Assembly as described in the previous 3 steps. With the unit still on its back, adjust all leveling wheels to approximately the orientation in Fig. 7.

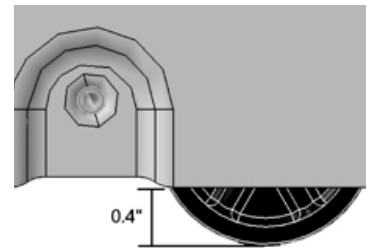


Fig. 7

Leveling the Unit

4. a. Tilt the unit upright.
- b. Place the unit into the cabinet space, or as close to the final position as possible (do not hook up power or water yet). This step is important to accurately level the unit prior to further installs.
- c. Use a flat head screw driver or a $\frac{3}{8}$ " socket wrench to adjust the front bolts of the Leveler Assemblies (Fig. 8). Raise or lower the front and back wheels as needed until the unit rests properly in the cabinet space.
- d. Once the Leveler Assemblies have been checked, roll out the unit in front of the cabinetry for accessibility.

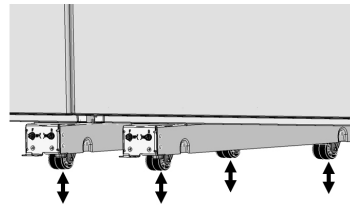


Fig. 8

Power and Water Line Connection

Note: Refer to the Use & Care Manual for power requirements and water supply hookup before proceeding. Find **Service Kit TFLTRICEKIT** at ElectroluxAppliances.com for connecting the water line and filtering ice.

Top Trim Attachment

NOTE

You will need a step ladder to install top trim components.

8. a. Remove the front outer screw from the top hinge (Fig. 10) using a $\frac{5}{16}$ " socket driver or wrench and save for later. Locate bracket 1H and place it on the top of the unit to be used on Step 8d.
- b. Roll the unit into the cabinet roughly $\frac{3}{4}$ of the way in, ensuring the product is centered in the cabinet cutout.
- c. Choose the top trim according to which side the door hinge is on (Fig. 11). You do not need the other Top Trim for the installation.
- d. Install the Top Trim by fastening two 4H screws along the base of the trim with a $\frac{5}{16}$ " socket wrench (Fig. 12). Screw through the 1H bracket in step 8a to properly level the Top Trim.

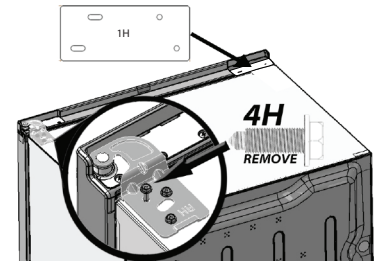


Fig. 10



Fig. 11

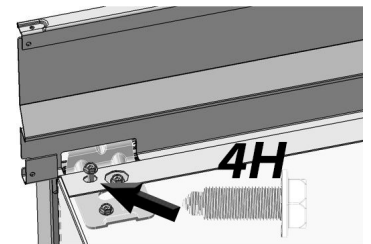


Fig. 12

NOTE

Some cabinet substrates may require pre-drilling holes using a $\frac{1}{8}$ " (3 mm) diameter drill bit.

Electrolux TRMKTSSILV84 Side Trim Attachment Setup

5. Using eight 3H screws and a power drill, attach the 2 Side Trim Attachment brackets to the front left and right cabinet cutout edges with the brackets touching the floor (Fig. 9). Ensure the rectangular slots extend over the cabinet edge.

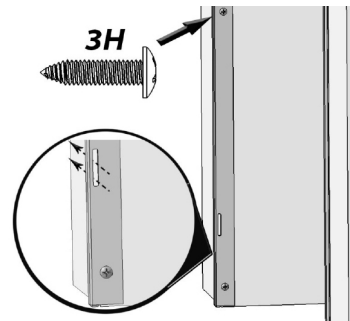


Fig. 8

Frigidaire TRMKTEZIFL79 Side Trim Attachment Setup

6. Depending on which long screw you received (6H or 7H) screw a long screw in the lower left area (Fig. 9A) of the front cabinet space, approximately in the location described in Fig. 9B.
7. Repeat step 6 for the right side of the cabinet using the other 6H/7H screw.

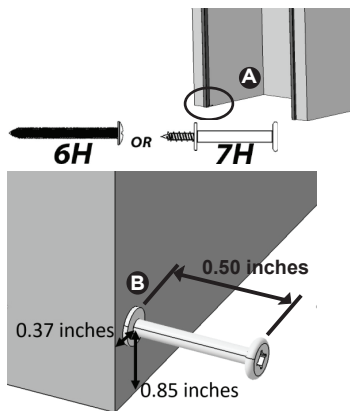


Fig. 9

9. a. Slide the unit into place, and ensure the dual installation is centered.
- b. Drill $\frac{1}{8}$ " pilot holes and fasten two 3H screws on the right side of the Top Trim with a Phillips screwdriver to cabinets (Fig. 13).
- c. Repeat for the left side.

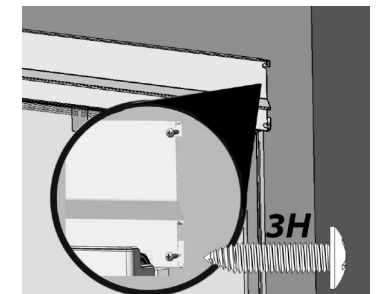


Fig. 13

Frigidaire TRMKTEZ1FL79 Side Trim Installation

10. a. Place the Side Trims in position by dropping them over the placement screw as seen in Fig. 9 and fitting them over the Top Trim (Fig. 14).
- b. Fasten a 2H screw to each side of the Top Trim (Fig. 14).
Hand tighten only!

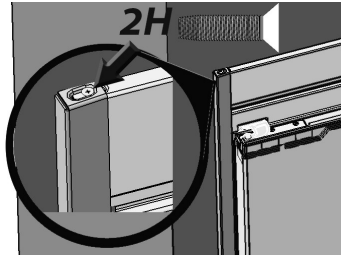


Fig. 14

Electrolux TRMKTSS1LV84 Side Trim Installation

11. a. Slide the left Side Trim into place by carefully guiding the Side Trim hooks through the Side Trim Attachment slots. Fig. 15 shows an inside view.

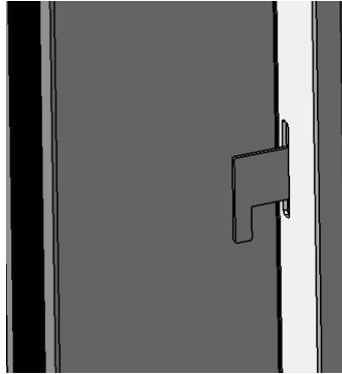


Fig. 15

- b. Fasten 2H screws to the Top Trim (Fig. 16) and repeat for the right hand side.
Hand tighten only!

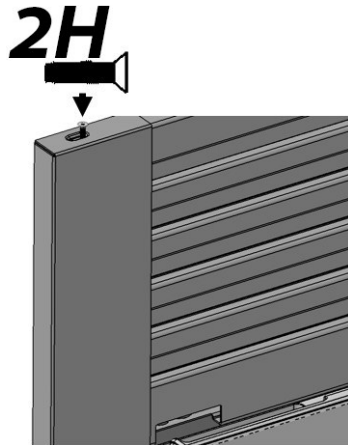


Fig. 16

12. a. Choose which Toe Kick to place below the unit based on which side the door hinge is on (Fig. 17). You do not need the other Toe Kick.
- b. Carefully place the Tow Kick over the 2 Leveler Assembly Slots. The first Leveler Assembly slot is circled in Fig. 18, and the second Leveler Assembly slot is circled in Fig. 19.
- c. Adjust the Toe Kick until the magnets are engaged to the Leveler Assembly bolts and the Toe Kick is resting vertically in place.

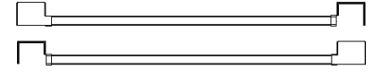


Fig. 17

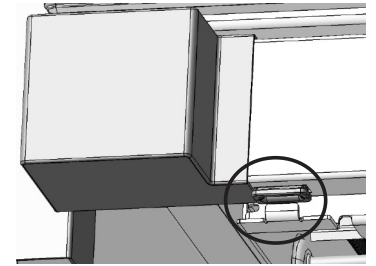


Fig. 18

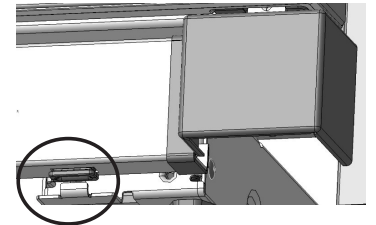


Fig. 19

Note: Refer to the Use & Care Manual to adjust the door height if needed.

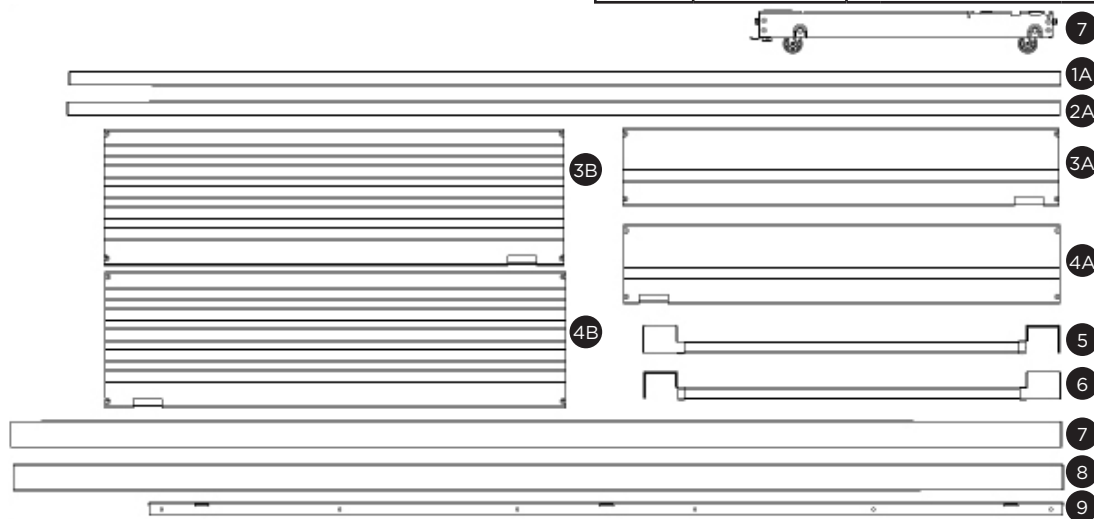
Instalación del juego de molduras para refrigeradores y congeladores de una puerta

Línea de productos: Rango de números de serie de todos los modelos de refrigeradores y congeladores: Todos los rangos de números de serie

Componentes del kit de molduras simples (aberturas para gabinetes de 79" y 84" de alto)

Marca		N.º de kit	N.º de kit de molduras simples
Frigidaire Professional		TRMKTEZ1FL79	A16405201
N.º de artículo	Número de pieza	Descripción	Cant.
1A	A18684901	Moldura lateral, derecha	1
2A	A18684902	Moldura lateral, izquierda	1
3A	A16766503	Moldura superior, plana, derecha	1
4A	A16766505	Moldura superior, plana, izquierda	1
5	A18684505	Zócalo, derecha	1
6	A18684507	Zócalo, izquierda	1
7	A17111301	Conjunto nivelador	2
8	A20841303	Paquete de tornillería U19, simple	1

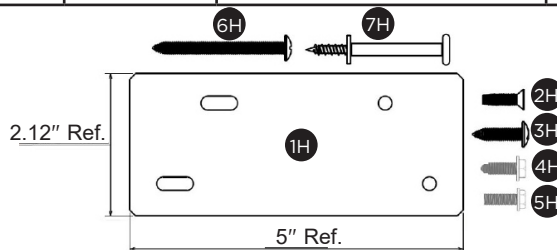
Marca		N.º de kit	N.º de kit de molduras simples
Electrolux		TRMKTSS1LV84	A19895901
N.º de artículo	Número de pieza	Descripción	Cant.
1B	A19036503	Moldura lateral, derecha	1
2B	A19036504	Moldura lateral, izquierda	1
3B	A19036402	Moldura superior, rejilla derecha	1
4B	A19036403	Moldura superior, rejilla izquierda	1
5	A18684506	Zócalo, derecha	1
6	A18684508	Zócalo, izquierda	1
7	A17111301	Conjunto nivelador	2
8	A20841304	Paquete de tornillería U19, simple	1
9	A19036701	Accesorio de moldura lateral	2



Paquete de tornillería A20841303			
ARTÍCULO	NÚMERO DE PIEZA	DESCRIPCIÓN	CANT.
1H	A18695801	Barra de sujeción, superior	1
2H	297142600	Tornillo, cabeza plana, n.º 8-32	2
3H	050149	Tornillo, redondo, n.º 8-18	4
4H	A16955502	Perno, M5 x 16	6
5H	A21188301	Perno, 1/4-20	2
6H, 7H	A20706101	Tornillo de la base de la moldura	1

Paquete de tornillería A20841304			
ARTÍCULO	NÚMERO DE PIEZA	DESCRIPCIÓN	CANT.
1H	A18695801	Barra de sujeción, superior	1
2H	297142600	Tornillo, cabeza plana, n.º 8-32	2
3H	050149	Tornillo, redondo, n.º 8-18	12
4H	A16955502	Perno, M5 x 16	6
5H	A21188301	Perno, 1/4-20	2

NOTA: Todos los componentes del paquete de tornillería mencionados en esta hoja de instrucciones tienen una "H" después del número de artículo.



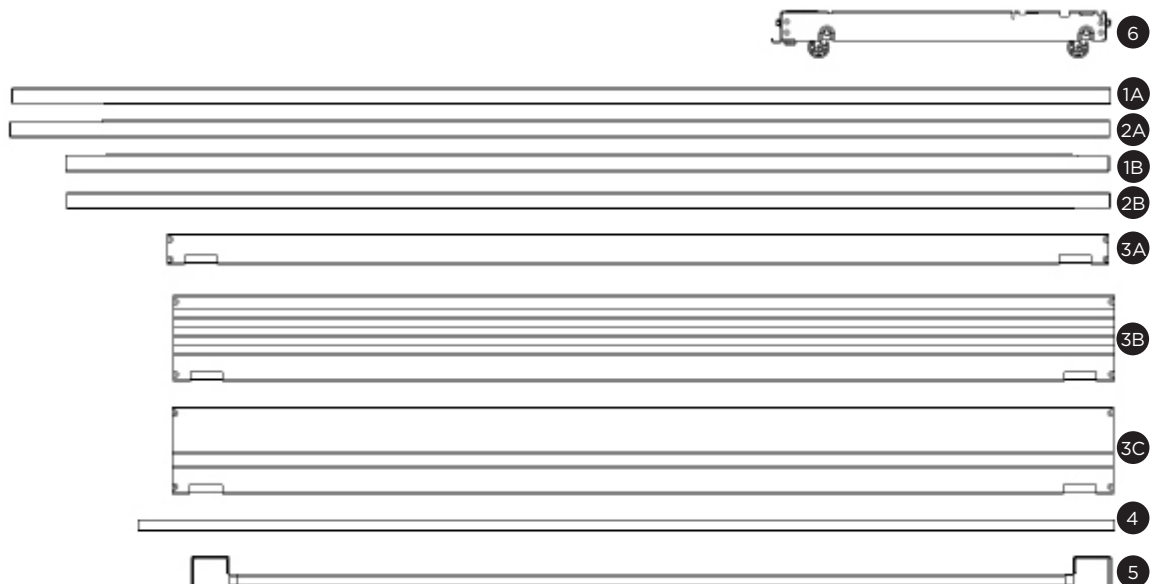
Componentes del kit de molduras dobles (aberturas para gabinetes de 75" y 79" de alto)

Marca		N.º de kit	N.º de kit de molduras dobles
Frigidaire		TRMKTEZ2FL75	A18643301
N.º de artículo	Número de pieza	Descripción	Cant.
1B	A18685001	Moldura lateral, derecha	1
2B	A18685002	Moldura lateral, izquierda	1
3A	A18694901	Moldura superior, collar	1
4	A18685101	Moldura central	1
5	A18684501	Zócalo	1
6	A17111301	Conjunto nivelador	4
7	A20841301	Paquete de tornillería U19, simple	1

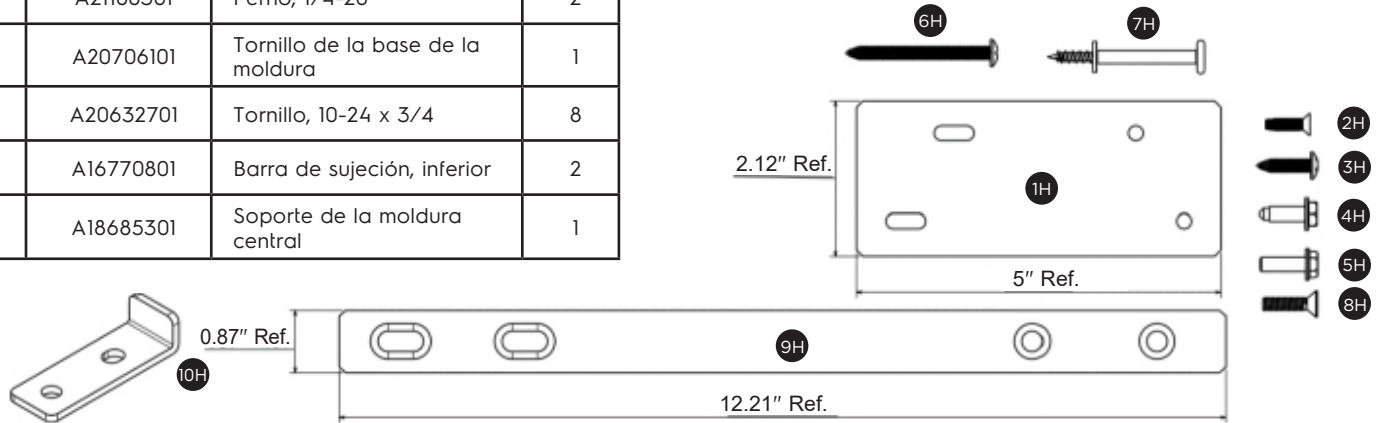
Marca		N.º de kit	N.º de kit de molduras dobles
Frigidaire		TRMKTEZ2LV79	A16405401
N.º de artículo	Número de pieza	Descripción	Cant.
1A	A18684901	Moldura lateral, derecha	1
2A	A18684902	Moldura lateral, izquierda	1
3B	A18804301	Moldura superior, rejilla	1
4	A18685101	Moldura central	1
5	A18684501	Zócalo	1
6	A17111301	Conjunto nivelador	4
7	A20841301	Paquete de tornillería U19, simple	1

Marca		N.º de kit	N.º de kit de molduras dobles
Frigidaire		TRMKTEZ2FL79	A16404901
N.º de artículo	Número de pieza	Descripción	Cant.
1A	A18684901	Moldura lateral, derecha	1
2A	A18684902	Moldura lateral, izquierda	1
3C	A16766501	Moldura superior, plana	1
4	A18685101	Moldura central	1
5	A18684501	Zócalo	1
6	A17111301	Conjunto nivelador	4
7	A20841301	Paquete de tornillería U19, simple	1

Marca		N.º de kit	N.º de kit de molduras dobles
Electrolux		TRMKTSS2FL79	A16404902
N.º de artículo	Número de pieza	Descripción	Cant.
1A	A18684903	Moldura lateral, derecha	1
2A	A18684904	Moldura lateral, izquierda	1
3C	A16766502	Moldura superior, plana	1
4	A18685102	Moldura central	1
5	A18684502	Zócalo	1
6	A17111301	Conjunto nivelador	4
7	A20841301	Paquete de tornillería U19, simple	1

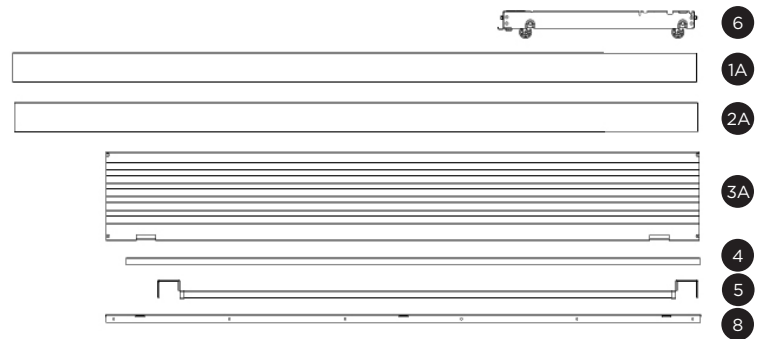


Paquete de tornillería A20841301			
ARTÍCULO	NÚMERO DE PIEZA	DESCRIPCIÓN	CANT.
1H	A18695801	Barra de sujeción, superior	1
2H	297142600	Tornillo, cabeza plana, n.º 8-32	2
3H	050149	Tornillo, redondo, n.º 8-18	4
4H	A16955502	Perno, M5 x 16	6
5H	A21188301	Perno, 1/4-20	2
6H, 7H	A20706101	Tornillo de la base de la moldura	1
8H	A20632701	Tornillo, 10-24 x 3/4	8
9H	A16770801	Barra de sujeción, inferior	2
10H	A18685301	Soporte de la moldura central	1

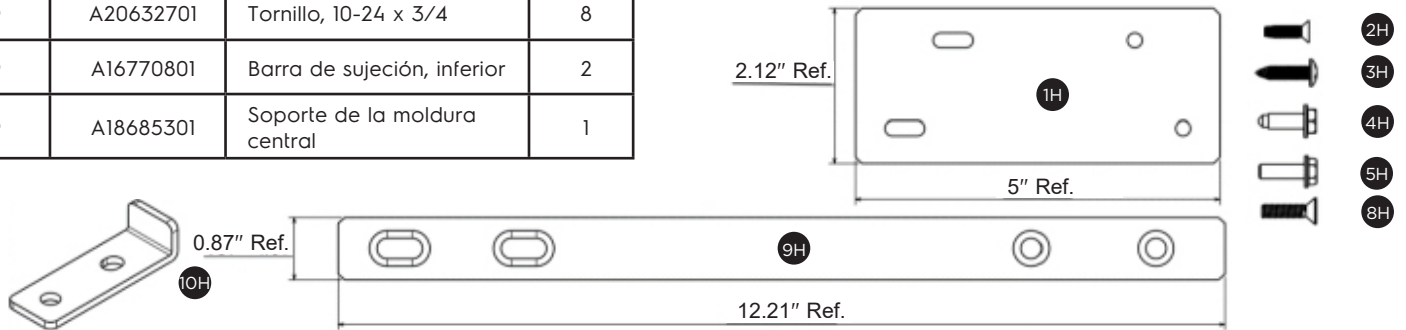


Componentes del kit de molduras dobles (aberturas para gabinetes de 84" de alto)

Marca		N.º de kit	N.º de kit de molduras dobles
Electrolux		TRMKTSS2LV84	A16405301
N.º de artículo	Número de pieza	Descripción	Cant.
1A	A19036501	Moldura lateral, derecha	1
2A	A19036502	Moldura lateral, izquierda	1
3A	A19036401	Moldura superior, rejilla	1
4	A18685102	Moldura central	1
5	A18684502	Zócalo	1
6	A17111301	Conjunto nivelador	4
7	A20841302	Paquete de tornillería U19, doble	1
8	A19036701	Accesorio de moldura lateral	2



Paquete de tornillería A20841301			
ARTÍCULO	NÚMERO DE PIEZA	DESCRIPCIÓN	CANT.
1H	A18695801	Barra de sujeción, superior	1
2H	297142600	Tornillo, cabeza plana, n.º 8-32	2
3H	050149	Tornillo, redondo, n.º 8-18	12
4H	A16955502	Perno, M5 x 16	14
5H	A21188301	Perno, 1/4-20	4
8H	A20632701	Tornillo, 10-24 x 3/4	8
9H	A16770801	Barra de sujeción, inferior	2
10H	A18685301	Soporte de la moldura central	1



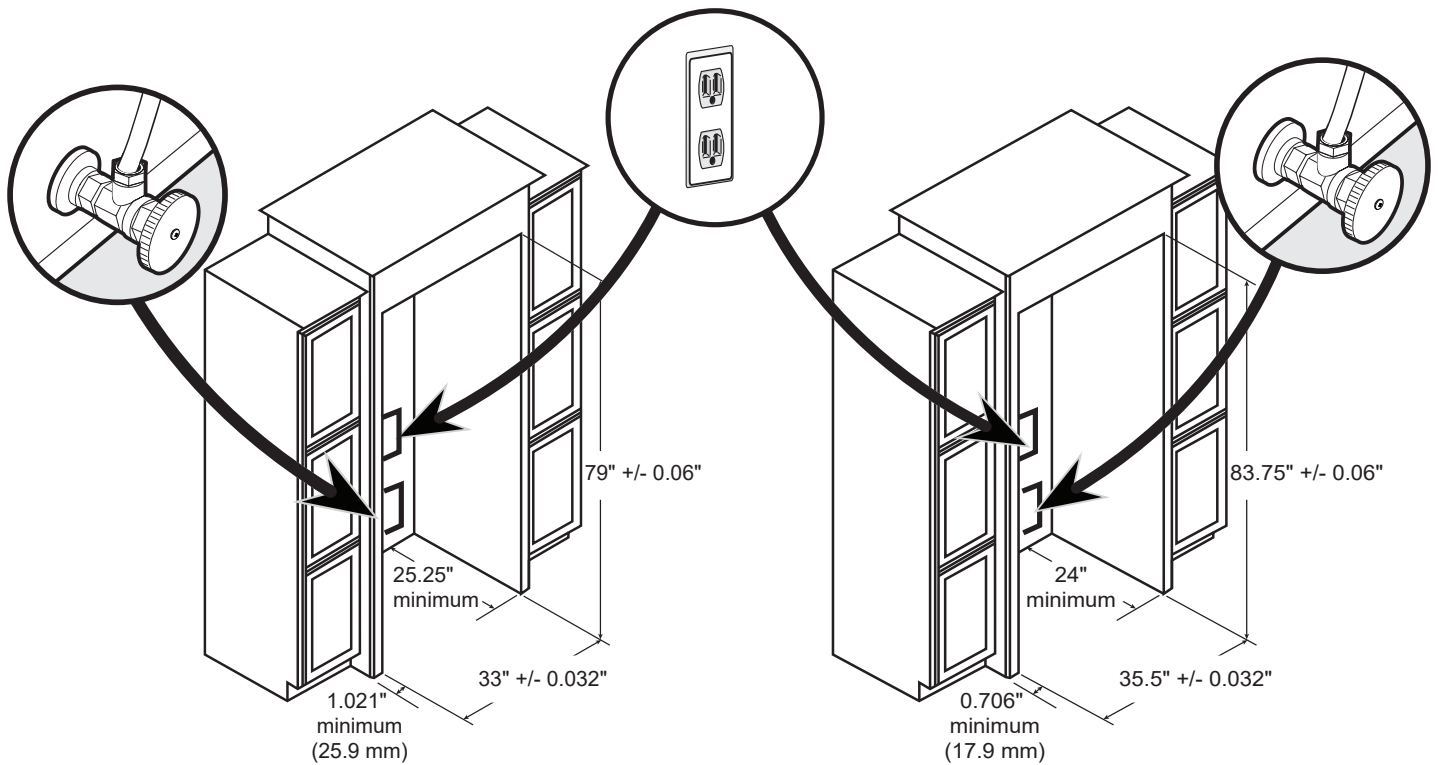
Kits de molduras simples (aberturas para gabinetes de 79" y 84" de alto)

TRMKTEZ1FL79 (Frigidaire)

TRMKTSSILV84 (Electrolux)

 **IMPORTANTE**

Asegúrese de que haya dos tomacorrientes de pared dobles separados con conexión a tierra para el congelador y el refrigerador como se especifica en el Manual de uso y cuidado.

**Dimensiones de la abertura para gabinetes**

Use estas dimensiones para construir las aberturas de los gabinetes de la cocina para el refrigerador y el congelador.

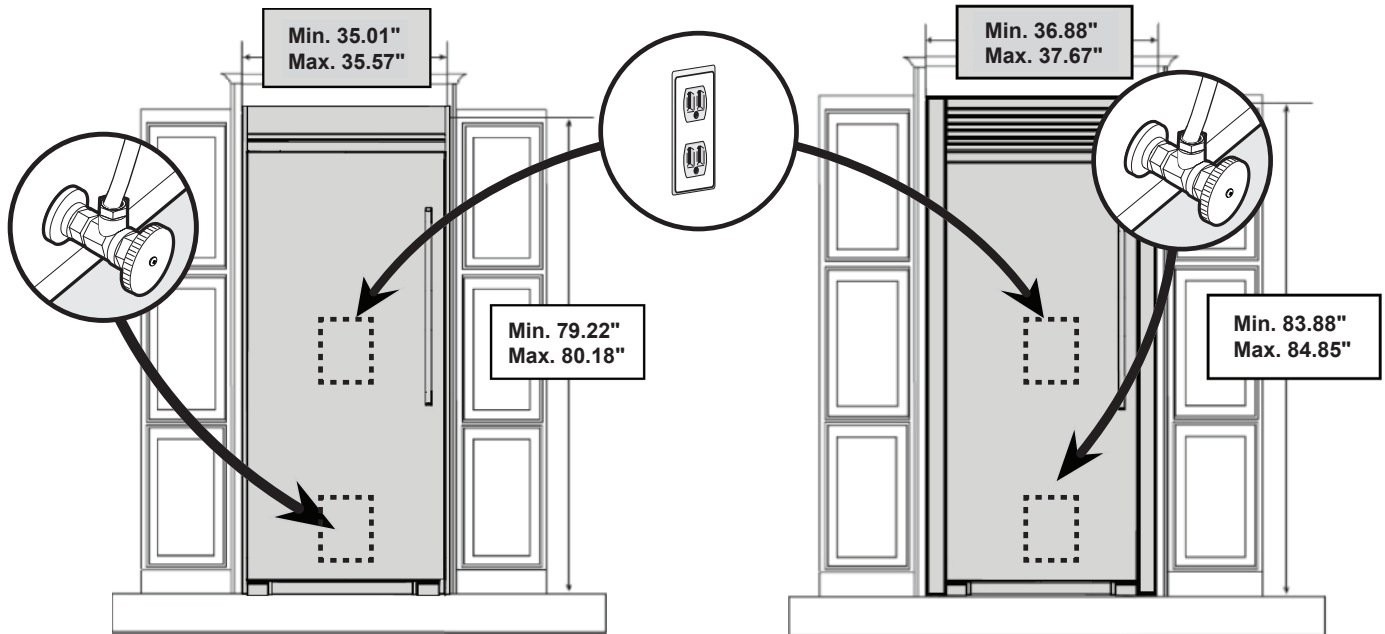
Kits de molduras simples (aberturas para gabinetes de 79" y 84" de alto)

TRMKTEZ1FL79 (Frigidaire)

TRMKTSSILV84 (Electrolux)

 **IMPORTANTE**

Asegúrese de que haya dos tomacorrientes de pared dobles separados con conexión a tierra para el congelador y el refrigerador como se especifica en el Manual de uso y cuidado.

**Dimensiones de acabado del kit de molduras**

Utilice estas dimensiones para disponer la puerta del gabinete contiguo, los cajones y los estantes.

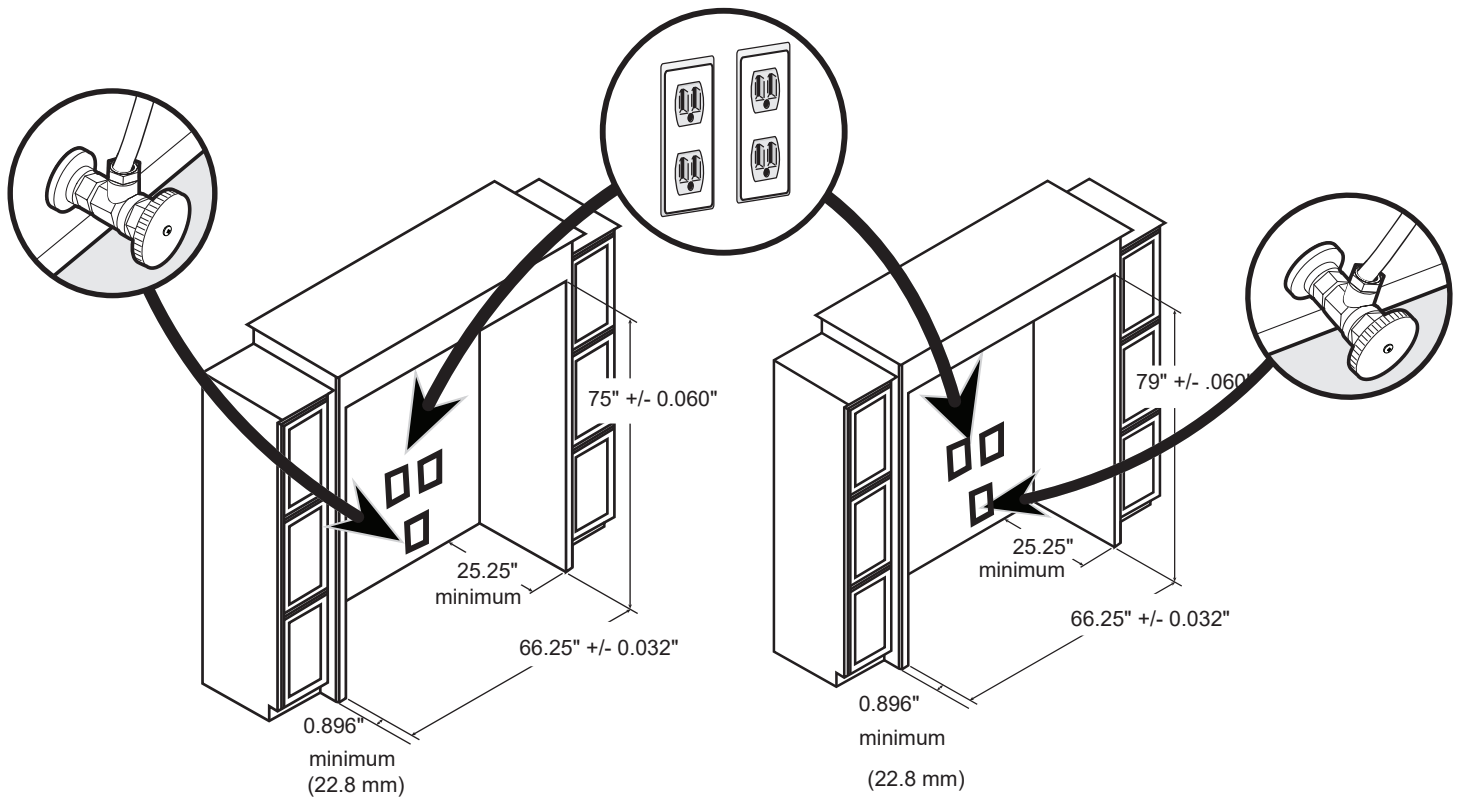
Kits de molduras dobles (aberturas para gabinetes de 75" y 79" de alto)

IMPORTANTE

Utilice dos tomacorrientes dobles empotrados y una válvula de cierre de agua empotrada para una abertura mínima de 24". Para construcciones nuevas, utilice una dimensión de profundidad de gabinete de 25.25".

NOTA

Para instalar un kit de molduras dobles o un kit de acoplamiento, no puede existir una partición entre el congelador y el refrigerador.

TRMKTEZ2FL75 (Frigidaire)**TRMKTEZ2FL79 (Frigidaire)****TRMKTSS2FL79 (Electrolux)****TRMKTEZ2LV79 (Frigidaire)****Dimensiones de la abertura para gabinetes**

Use estas dimensiones para construir las aberturas de los gabinetes de la cocina para el refrigerador y el congelador.

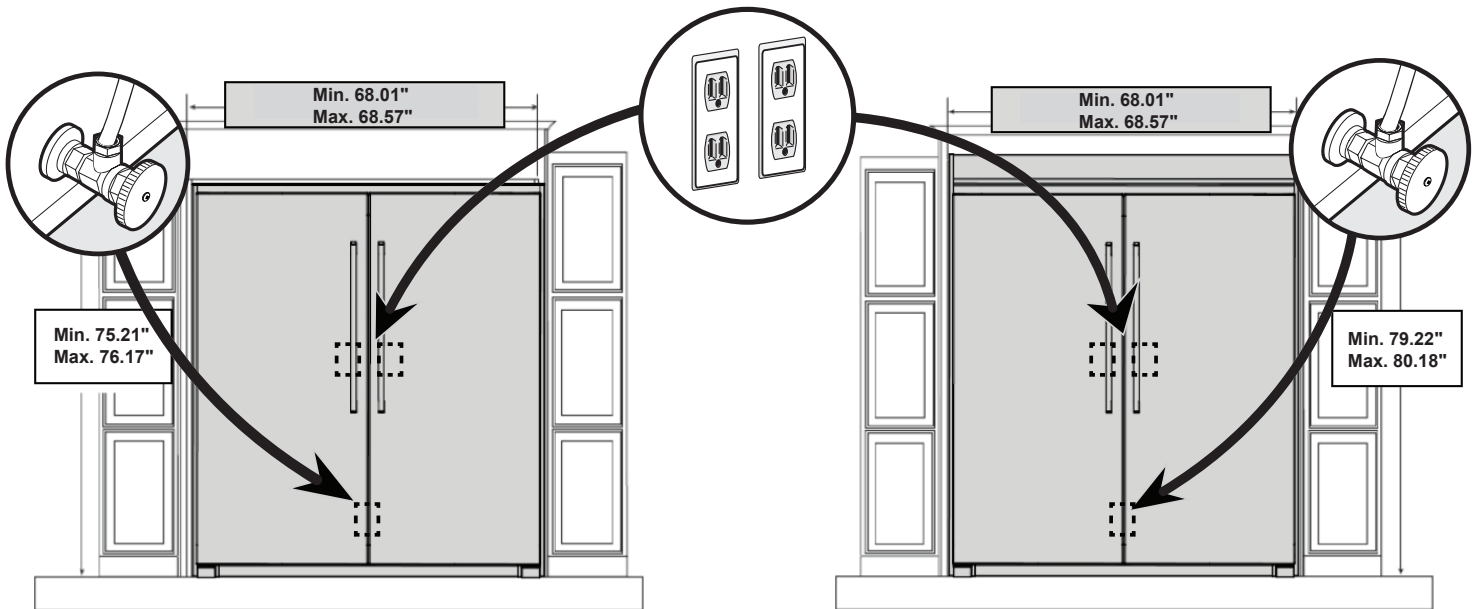
Kits de molduras dobles (aberturas para gabinetes de 75" y 79" de alto)

IMPORTANTE

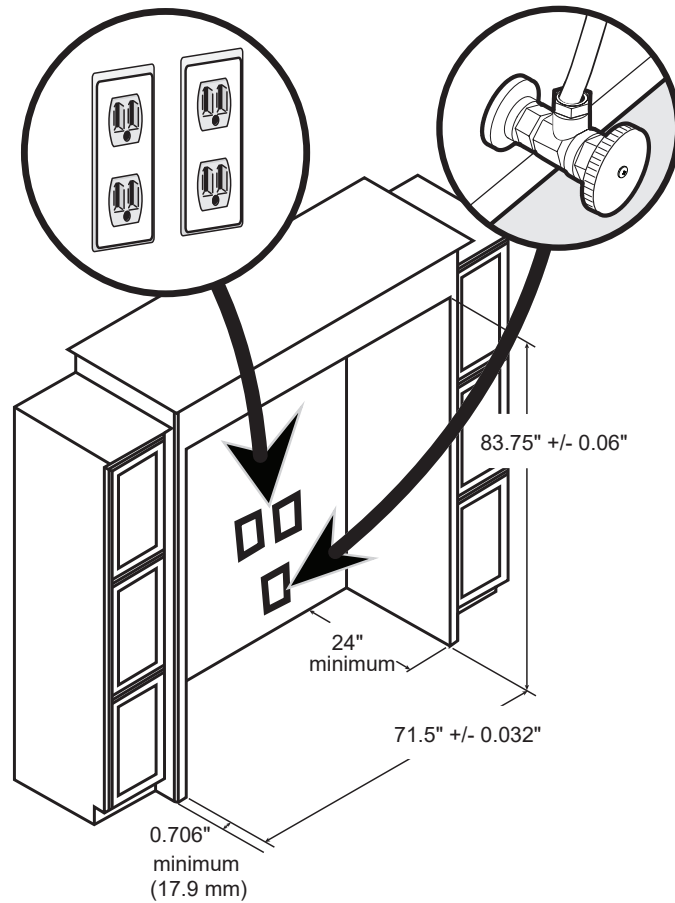
Utilice dos tomacorrientes dobles empotrados y una válvula de cierre de agua empotrada para una abertura mínima de 24". Para construcciones nuevas, utilice una dimensión de profundidad de gabinete de 25.25".

NOTA

Para instalar un kit de molduras dobles o un kit de acoplamiento, no puede existir una partición entre el congelador y el refrigerador.

TRMKTEZ2FL75 (Frigidaire)**TRMKTEZ2FL79 (Frigidaire)****TRMKTSS2FL79 (Electrolux)****TRMKTEZ2LV79 (Frigidaire)****Dimensiones de acabado del kit de molduras**

Utilice estas dimensiones para disponer la puerta del gabinete contiguo, los cajones y los estantes.

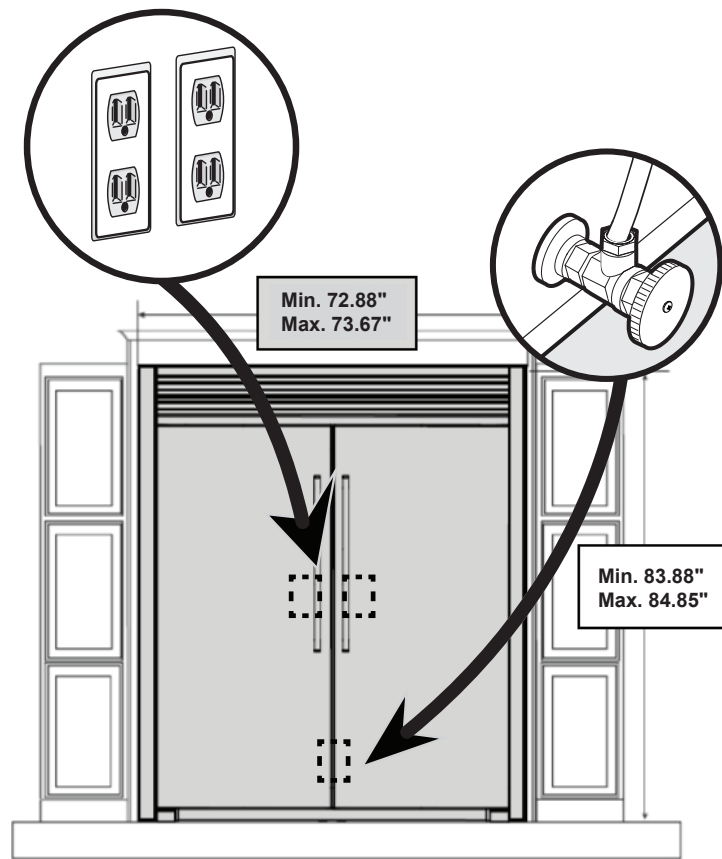
Kits de molduras dobles (aberturas para gabinetes de 84" de alto)**TRMKTEZ2LV84 (Frigidaire)****TRMKTSS2LV84 (Electrolux)****Dimensiones de la abertura para gabinetes**

Use estas dimensiones para construir las aberturas de los gabinetes de la cocina para el refrigerador y el congelador.

Kits de molduras dobles (aberturas para gabinetes de 84" de alto)

TRMKTEZ2LV84 (Frigidaire)

TRMKTSS2LV84 (Electrolux)



Dimensiones de acabado del kit de molduras

Utilice estas dimensiones para disponer la puerta del gabinete contiguo, los cajones y los estantes.

IMPORTANTE

Utilice dos tomacorrientes dobles empotrados y una válvula de cierre de agua empotrada para una abertura mínima de 24". Para construcciones nuevas, utilice una dimensión de profundidad de gabinete de 25.25".

Seguridad: Siempre use gafas de seguridad cuando utilice herramientas eléctricas.

Herramientas necesarias:

- Destornillador Phillips™
- Destornillador de cabeza plana
- Gafas de seguridad
- Llave de tubo de $\frac{3}{8}$ " y $\frac{5}{16}$ "
- Taladro eléctrico y broca de llave para tuercas de $\frac{5}{16}$ "
- Llave para tuercas de $\frac{3}{8}$ "
- Escalera de tijera
- Cinta métrica
- Guantes
- Nivel

Antes de empezar

- Tenga cuidado al desempacar los componentes. No utilice objetos filosos para retirar el material de embalaje. Esto puede rayar la superficie de los componentes de molduras.
- Manipule las piezas de molduras de metal con extremo cuidado, ya que las esquinas se dañan fácilmente si se caen.

Instrucciones para kits de molduras de instalación doble:

- TRMKTEZ2FL75 (Frigidaire)
- TRMKTEZ2LV79 (Frigidaire)
- TRMKTEZ2FL79 (Frigidaire)
- TRMKTSS2FL79 (Electrolux)
- TRMKTSS2LV84 (Electrolux)
- TRMKTEZ2LV84 (Frigidaire)

Conexión de la línea eléctrica y la tubería de agua

NOTA

Consulte el Manual de uso y cuidado para conocer los requisitos eléctricos y la conexión del suministro de agua antes de continuar. Encuentre el **kit de servicio TFLTRICEKIT** en ElectroluxAppliances.com para conectar la línea de agua y el filtrado de hielo.

NOTA

Si el congelador es compatible con el kit de filtro de agua, consulte las instrucciones del kit de agua filtrada.

PRECAUCIÓN

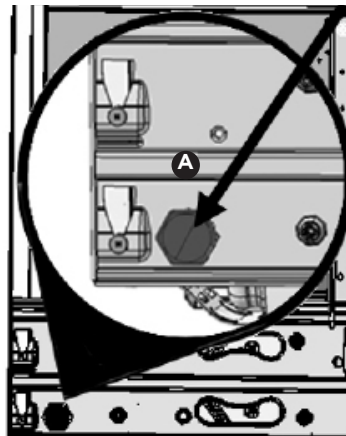
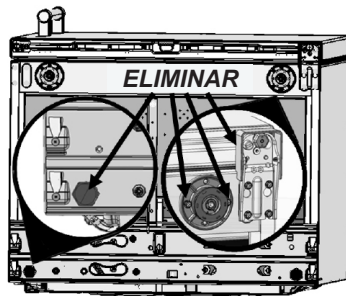
Los electrodomésticos son pesados. Se requieren dos personas para la instalación.

IMPORTANTE

Asegúrese de que haya dos tomacorrientes separados para el congelador y el refrigerador.

Instalación del sistema de nivelación

1.
 - a. Coloque el refrigerador y el congelador boca arriba sobre el material de embalaje o un paño protector para evitar daños y proteger el piso.
 - b. Retire los 4 niveladores de patas traseras de las 2 unidades desenroscando en sentido antihorario (Fig. 1A) y guárdelos con la documentación del producto.



- c. Retire los 4 niveladores de patas delanteras de las 2 unidades desenroscando la clavija exterior y los 2 pernos de cada nivelador delantero con un llave para tuercas de $\frac{5}{16}$ " y guárdelos con la documentación del producto. Retire la cubierta de la bisagra si está instalada (Fig. 1B).

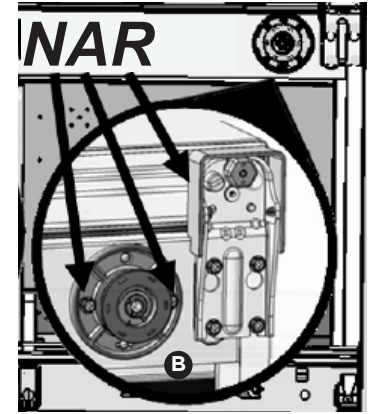


Fig. 1

2. Coloque las piezas sobre un área despejada boca abajo. Asegúrese de colocar un paño protector sobre el piso para evitar rayar el kit de molduras o el piso (Fig. 2).

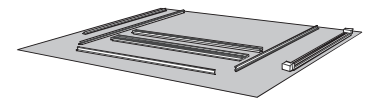


Fig. 2

3. a. Coloque el primer conjunto nivelador en un refrigerador/congelador (Fig. 3).

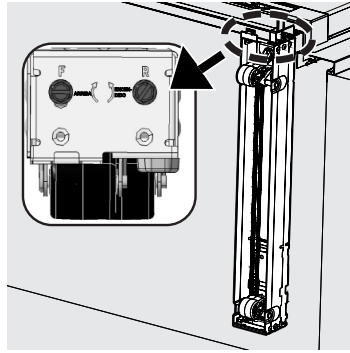


Fig. 3

- b. Con un perno 5H y un taladro eléctrico, ajuste la parte inferior del conjunto nivelador con una broca hexagonal de 3/8" en cualquier orificio que se superponga con el orificio del tornillo (Fig. 4).
Nota: La parte trasera del soporte está moldeada para deslizarse sobre la base metálica del compresor. Colocar primero el perno trasero asegurará la alineación correcta del conjunto nivelador.

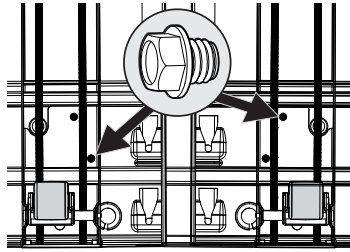


Fig. 4

- c. Con los pernos 4H del paso 1, ajuste la parte frontal del conjunto nivelador al refrigerador/congelador con un llave para tuercas de 5/16" (Fig. 5).

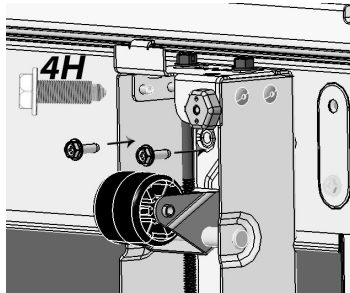


Fig. 5

Para los pasos 3b y 3c, si necesita más espacio para la holgura de la llave para tuercas, gire el perno etiquetado como **F** en sentido horario (Fig. 6) usando un destornillador de cabeza plana o una llave de tubo de 3/8".

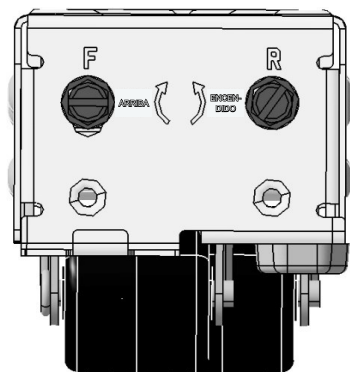


Fig. 6

- d. Ajuste los 3 conjuntos niveladores restantes como se describe en los 3 pasos anteriores usando los seis pernos 4H restantes y los tres pernos 5H restantes. Con la(s) unidad(es) todavía boca arriba, ajuste todas las ruedas niveladoras aproximadamente según la orientación en la Fig. 7.

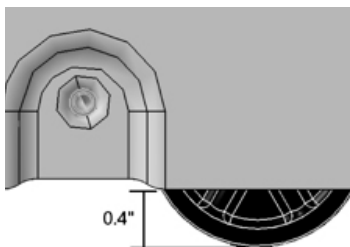


Fig. 7

Soporte de la moldura central del kit de molduras

4. Con el refrigerador todavía boca arriba, use una llave para tuercas de 5/16" para retirar dos pernos 4H y ajustar la barra en L 10H (Fig. 8).

Nota: La brida corta de la barra en L debe estar orientada hacia arriba, hacia la parte superior del refrigerador.

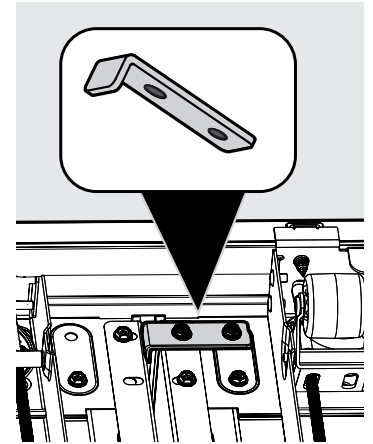


Fig. 8

5. Coloque ambas unidades en posición vertical.

PRECAUCIÓN

El compartimento es pesado. Recomendamos que dos personas levanten o muevan el gabinete.

Instalación del kit de acoplamiento

Antes de limpiar el aparato, apáguelo desenchufando el cable de alimentación del tomacorriente. Limpie ambos lados del refrigerador y el congelador.

NOTA

No use CLORURO para limpiar el acero inoxidable. Limpie las manijas y el frente de acero inoxidable con agua jabonosa no abrasiva y un paño de cocina. Enjuague con agua limpia y un paño suave. Limpie las manchas difíciles con una toalla de papel empapada en amoníaco y enjuague. Utilice un limpiador de acero inoxidable no abrasivo, como el limpiador de acero inoxidable **Frigidaire ReadyClean™** que se encuentra en Frigidaire.com. Siga las instrucciones del fabricante.

NOTA

Limpie, pase un paño y seque siguiendo la misma dirección de las líneas del diseño para evitar rayar la superficie. Lave el resto del compartimento con agua tibia y detergente líquido suave. Enjuague por completo y seque con un paño suave y limpio.

PRECAUCIÓN

Use guantes para el siguiente paso.

NOTA: Antes de retirar el papel protector, alinee los calentadores para asegurarse de que los cables salgan hacia el centro y la parte posterior del refrigerador/congelador (como se muestra en la Fig. 9).

- Despegue el papel protector del primer calentador.
- Adhiera el primer calentador al lado inferior derecho de la unidad del lado izquierdo (0,5" desde la parte inferior y 0,5" desde la pared posterior) para que el mazo de cables salga en la parte de arriba.

NOTA: Asegúrese de adherir el calentador completamente sin bolsas de aire (Fig. 9A).

- Despegue el papel protector del segundo calentador.
- Adhiera el segundo calentador al lado superior izquierdo de la unidad del lado derecho (0,5" desde la parte superior y 0,5" desde la pared posterior) para que el mazo de cables salga en la parte inferior.

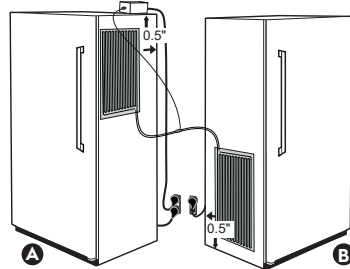


Fig. 9

NOTA: Asegúrese de adherir el calentador completamente sin bolsas de aire (Fig. 9B). Para una mejor adhesión, retire la etiqueta amarilla en el costado del gabinete.

NOTA: Para obtener los mejores resultados, utilice las configuraciones de los calentadores mencionados (el lado inferior derecho del congelador y el lado superior izquierdo del refrigerador).

Evite:

- Ambos calentadores en el congelador
 - Ambos calentadores en el refrigerador
 - Ambos calentadores en la parte superior
 - Ambos calentadores en la parte inferior
 - Ambos calentadores en el centro
- Enchufe el conector de los dos calentadores **A** a la **fuentes de alimentación C** (Fig. 10).

NOTA: No se puede sentir la temperatura del calentador ya que las almohadillas apenas se calientan.

NOTA: Confirme que la fuente de alimentación encaja en la abertura cuando se coloca en la parte superior de la unidad. Confirme también que la fuente de alimentación llegue al tomacorriente cuando se coloque en la parte superior de la unidad (Fig. 11A). Se proporciona la longitud adicional del cable para adaptarse a la ubicación del receptáculo.

- Aplice las 2 tiras de cinta de doble cara a la fuente de alimentación y adhiera la fuente de alimentación en la parte superior de la unidad (Fig. 11B).
- Si no se puede colocar la fuente de alimentación en la parte superior de la unidad, adhiérala verticalmente en la pared posterior de la unidad y asegúrese de que la conexión del conector de 3 clavijas a la fuente de alimentación esté hacia abajo (Fig. 12).

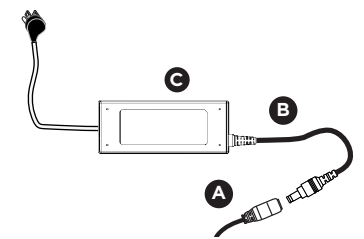
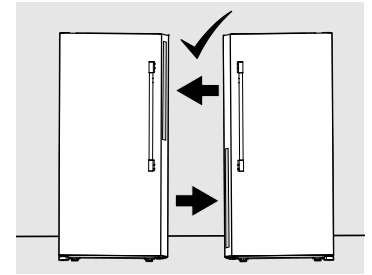


Fig. 10

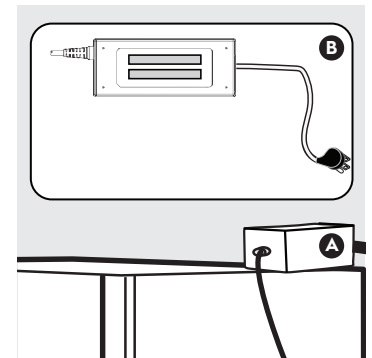


Fig. 11

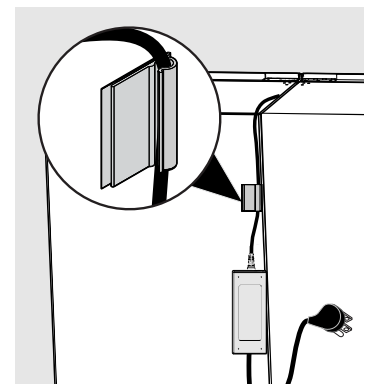


Fig. 12

13. Utilice los ganchos provistos para sostener los cables de alimentación en la parte posterior de las unidades de modo que todos los cables queden alejados del piso (Fig. 13).

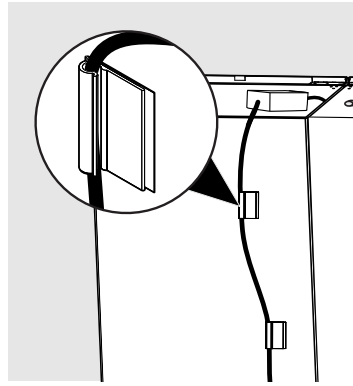


Fig. 13

NOTA: Asegúrese de que el mazo de cables esté alejado del piso antes de volver a colocar las unidades en su lugar. Esto evitará cualquier daño en los cables.

NOTA: La ubicación de los ganchos que se muestra es un ejemplo.

14. Conecte la fuente de alimentación al tomacorriente principal antes de colocar las unidades en la posición final.

Instalación de la barra de sujeción del kit de molduras

IMPORTANTE

- Antes de proceder con la instalación de la moldura, asegúrese de que el refrigerador y el congelador estén nivelados de adelante hacia atrás y de lado a lado.
- Asegúrese de que las 8 ruedas toquen el piso.

15. Después de colocar el refrigerador/congelador uno al lado del otro a 1/2" de distancia, ajuste un soporte 9H al frente de los niveladores (Fig. 14), manteniendo aflojados los tornillos 8H del lado izquierdo.

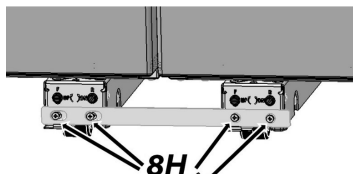


Fig. 14

¡Ajuste de forma manual únicamente!
NOTA: Un lado del soporte está ranurado para ajustes finos en el paso 18c.

16. Fije el otro soporte 9H a los niveladores traseros (Fig. 15), manteniendo aflojados los tornillos derechos.

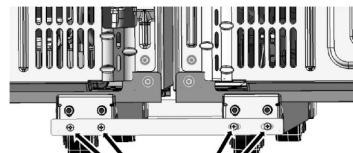


Fig. 15

¡Ajuste de forma manual únicamente!

17. Fije la barra de sujeción superior 1H (Fig. 16), manteniendo aflojados los 2 pernos 4H izquierdos.

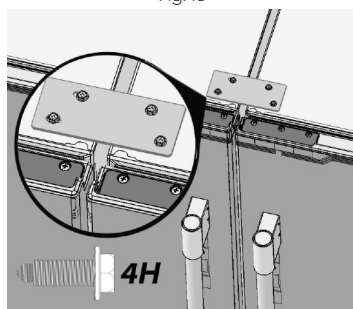


Fig. 16

18. a. Abra las puertas y coloque la moldura central entre las 2 unidades.
b. Ajuste la proximidad de las unidades según sea necesario para centralizar la moldura central. Comience por ajustar los tornillos en el soporte 1H superior para espaciar uniformemente la moldura central (Fig. 17).

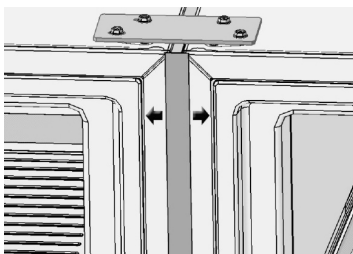


Fig. 17

- c. Ajuste los cuatro tornillos 8H (Fig. 14 y 15) a través de los 2 soportes 9H delanteros y traseros. Es posible que necesite varios ajustes para que la moldura central esté nivelada y centrada con las unidades.

NOTA: Antes de continuar, asegúrese de que las puertas se cierren sin interferencias y se mantengan paralelas. Ajustar la altura de las ruedas puede ayudar a corregir los problemas de alineación de la puerta. Consulte la **INSTALACIÓN** en el Manual de uso y cuidado para ajustar la altura de la puerta.

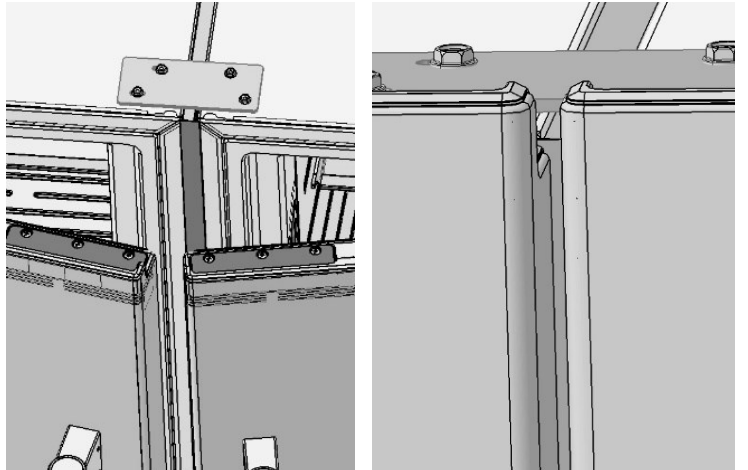


Fig. 18

NOTA

Antes de continuar, enchufe las unidades y verifique que funcionen correctamente.

NOTA

Para algunos soportes de gabinete puede hacer falta perforar previamente los orificios con una broca de 1/8" (3 mm) de diámetro.

Configuración del accesorio de moldura lateral Electrolux TRMKTSS2LV84 (algunos modelos)

19. Con ocho tornillos 3H y un taladro eléctrico, ajuste los dos soportes de fijación de la moldura lateral a los bordes de la abertura delantera izquierda y derecha del gabinete con los soportes que tocan el piso (Fig. 19). Asegúrese de que las ranuras rectangulares se extiendan sobre el borde del gabinete.

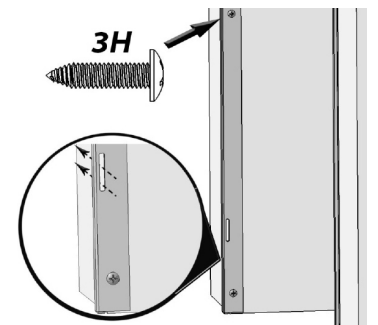


Fig. 19

Configuración del accesorio de moldura lateral para:

- TRMKTEZ2FL75 (Frigidaire)**
- TRMKTEZ2LV79 (Frigidaire)**
- TRMKTEZ2FL79 (Frigidaire)**
- TRMKTSS2FL79 (Electrolux)**

20. Según el tornillo largo que haya recibido (6H o 7H), atornille un tornillo largo en la parte inferior izquierda (Fig. 20A) del gabinete de pared frontal, cerca de la ubicación que se muestra en la Fig. 20B.
21. Repita el paso 20 para el lado derecho del gabinete de pared con el otro tornillo 6H/7H.

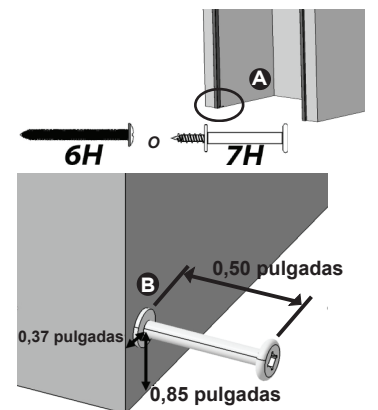


Fig. 20

NOTA: La profundidad del tornillo varía según las dimensiones finales de la abertura del gabinete. Recomendamos dejar aproximadamente 1/2" de tornillo alejado de la pared del gabinete.

Accesorio de moldura superior

NOTA

Necesitará una escalera de tijera para instalar los componentes de la moldura superior.

22. a. Retire los tornillos de la bisagra exterior delantera, comunes en ambos lados de la instalación doble, así como los dos tornillos 4H delanteros que sujetan la barra de sujeción 1H (Fig. 21).
- b. Haga rodar la instalación doble en el gabinete, aproximadamente 3/4 hacia adentro, asegurándose de que el producto esté centrado en la abertura del gabinete.
- c. Instale la moldura superior sujetando cuatro tornillos 4H a lo largo de la base de la moldura con una llave de tubo de $5/16$ " (Fig. 22).
23. a. Deslice la instalación doble hasta su posición y asegúrese de que esté centrada dentro de los gabinetes.
- b. Perfore orificios guía $1/8$ " y ajuste dos tornillos 3H en el lado derecho de la moldura superior (un tornillo por lado para la moldura superior con collar) con un destornillador Phillips a los gabinetes (Fig. 23).
- c. Repita el procedimiento para el lado izquierdo.

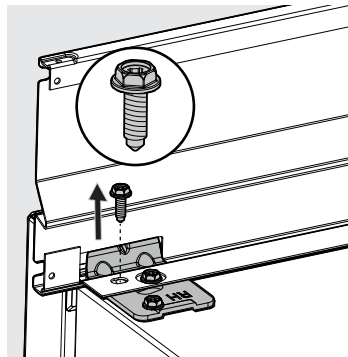


Fig. 21

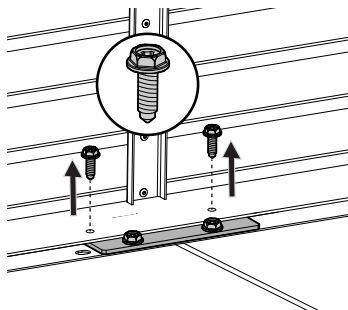


Fig. 22

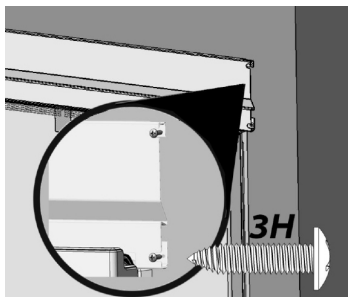


Fig. 23

Instalación de la moldura lateral para:

TRMKTEZ2FL75 (Frigidaire)

TRMKTEZ2LV79 (Frigidaire)

TRMKTEZ2FL79 (Frigidaire)

TRMKTSS2FL79 (Electrolux)

24. a. Coloque las molduras laterales en su lugar dejándolas caer sobre el tornillo de colocación como se muestra en la Fig. 21 y ajustando sobre la moldura superior (Fig. 24).

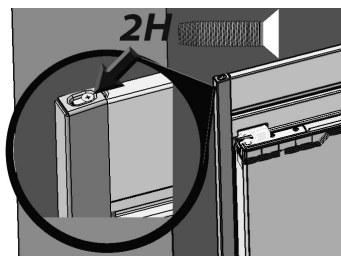


Fig. 24

Instalación de la moldura lateral Electrolux TRMKTSS2LV84

25. a. Deslice la moldura lateral izquierda hasta su posición guiando cuidadosamente las ranuras del accesorio de moldura lateral. La Figura 25 muestra una vista interior.

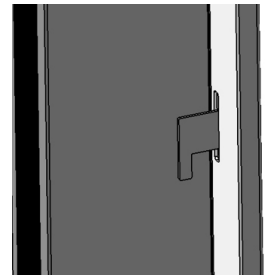


Fig. 25

- b. Ajuste los tornillos 2H a la moldura superior (Fig. 26) y repita el procedimiento para el lado derecho.
¡Ajuste de forma manual únicamente!

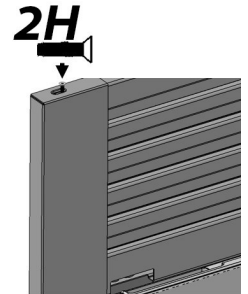


Fig. 26

26. a. Coloque con cuidado las ranuras del zócalo sobre las 4 lengüetas del conjunto nivelador. La primera lengüeta del conjunto nivelador está marcada con un círculo en la Figura 27, la segunda y la tercera lengüeta está marcada con un círculo en la Figura 28, y la cuarta lengüeta está marcada con un círculo en la Figura 29.
- b. Ajuste el zócalo hasta que los imanes estén enganchados en el conjunto nivelador y el zócalo esté apoyado verticalmente en su lugar.

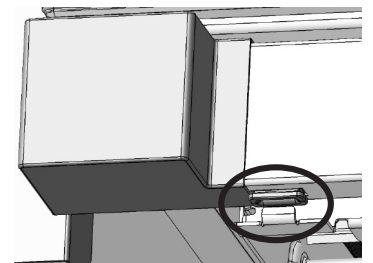


Fig. 27

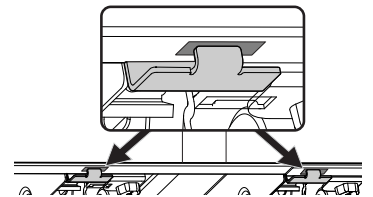


Fig. 28

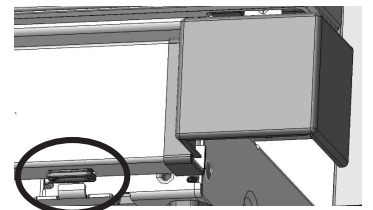


Fig. 29

Instrucciones para kits de molduras de instalación simple:

TRMKTEZ1FL79 (Frigidaire)

TRMKTSSILV84 (Electrolux)

PRECAUCIÓN

Los electrodomésticos son pesados. Se requieren dos personas para la instalación.

Instalación del sistema de nivelación

1. a. Coloque la unidad boca arriba sobre el material de embalaje o un paño protector para evitar daños y proteger el piso.
- b. Retire ambos niveladores de las patas traseras desatornillando en sentido antihorario (Fig. 1A) y guárdelos con la documentación del producto.

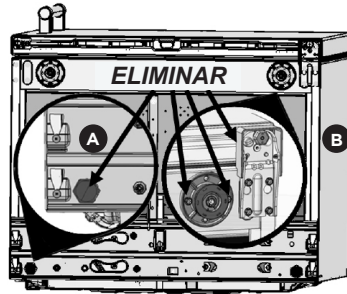


Fig. 1

- c. Retire ambos niveladores de patas delanteras desatornillando la clavija exterior y los 2 pernos de cada nivelador delantero con una llave para tuercas de $\frac{5}{16}$ ". Retire la cubierta de la bisagra si está instalada (Fig. 1B) y guárdela con la documentación del producto.

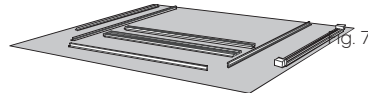


Fig. 2

2. Coloque las piezas sobre un área despejada boca abajo. Asegúrese de colocar un paño protector sobre el piso para evitar rayar el kit de molduras o el piso (Fig. 2).

3. a. Coloque el primer conjunto nivelador en un refrigerador/congelador (Fig. 3).

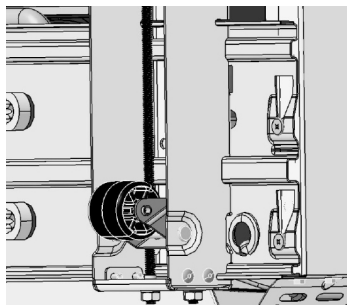


Fig. 3

- b. Con un perno 5H y un taladro eléctrico, ajuste la parte inferior del conjunto nivelador con una broca hexagonal de $\frac{5}{8}$ " en cualquier orificio que se superponga con el orificio del tornillo (Fig. 4).

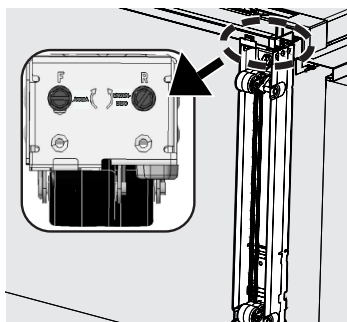


Fig. 4

Nota: La parte trasera del soporte está moldeada para deslizarse sobre la base metálica del compresor. Colocar primero el perno trasero asegurará la alineación correcta del conjunto nivelador.

- c. Usando los pernos 4H del paso 1, ajuste la parte frontal del conjunto nivelador al refrigerador/congelador con una llave para tuercas de $\frac{5}{16}$ " (Fig. 5). Para los pasos 3b y 3c, si necesita más espacio para la holgura de la llave para tuercas, gire el perno etiquetado como "F" en sentido horario (Fig. 6) usando un destornillador de cabeza plana o una llave de tubo de $\frac{3}{8}$ ".

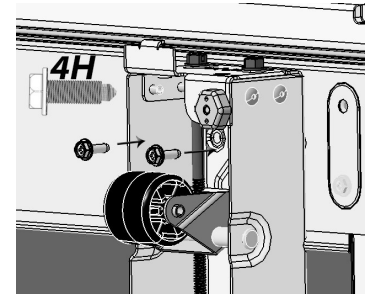


Fig. 5

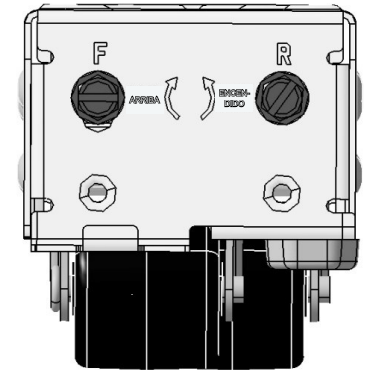


Fig. 6

- d. Ajuste el conjunto nivelador restante como se describe en los 3 pasos anteriores. Con la unidad todavía boca arriba, ajuste todas las ruedas niveladoras aproximadamente según la orientación en la Fig. 7.

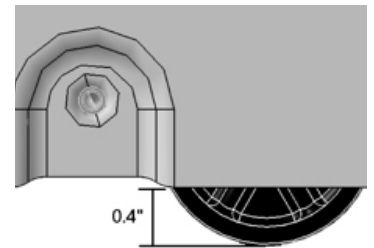


Fig. 7

Nivelación de la unidad

4. a. Incline la unidad hacia arriba.
- b. Coloque la unidad en el espacio del gabinete, o lo más cerca posible de la posición final (aún no conecte la energía o el agua). Este paso es importante para nivelar con precisión la unidad antes de instalarla.
- c. Utilice un destornillador de cabeza plana o una llave de tubo de $\frac{3}{8}$ " para ajustar los pernos delanteros de los conjuntos niveladores (Fig. 8). Suba o baje las ruedas delanteras y traseras según sea necesario hasta que la unidad se apoye correctamente en el espacio del gabinete.
- d. Una vez verificados los conjuntos niveladores, haga rodar la unidad frente a los gabinetes para facilitar el acceso.

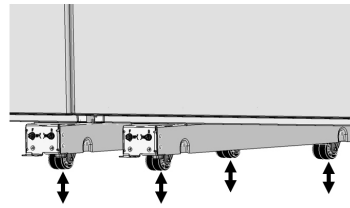


Fig. 8

Conexión de la línea eléctrica y la tubería de agua

Nota: Consulte el Manual de uso y cuidado para conocer los requisitos eléctricos y la conexión del suministro de agua antes de continuar. Encuentre el **kit de servicio TTFLTRICEKIT** en ElectroluxAppliances.com para conectar la línea de agua y el filtrado de hielo.

Accesorio de moldura superior

NOTA

Necesitará una escalera de tijera para instalar los componentes de la moldura superior.

8. a. Retire el tornillo exterior delantero de la bisagra superior (Fig. 10) con un destornillador o llave de tubo de $\frac{5}{16}$ " y guárdelo para más tarde. Ubique el soporte 1H y colóquelo en la parte superior de la unidad que se utilizará en el paso 8d.
- b. Haga rodar la unidad dentro del gabinete aproximadamente $\frac{3}{4}$ hacia adentro, asegurándose de que el producto esté centrado en la abertura del gabinete.
- c. Elija la moldura superior según el lado en el que se encuentre la bisagra de la puerta (Fig. 11). No necesita la otra moldura superior para la instalación.
- d. Instale la moldura superior sujetando dos tornillos 4H a lo largo de la base de la moldura con una llave de tubo de $\frac{5}{16}$ " (Fig. 12). Atornille a través del soporte 1H en el paso 8a para nivelar correctamente la moldura superior.

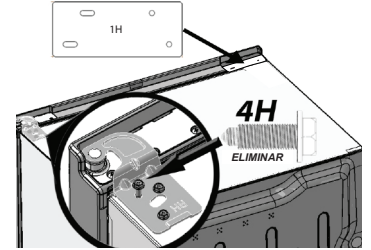


Fig. 10

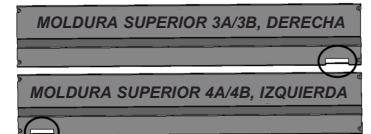


Fig. 11

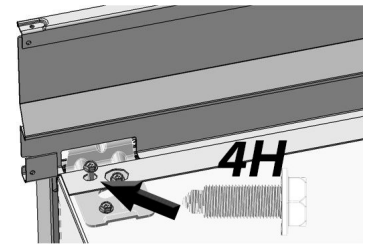


Fig. 12

NOTA

Para algunos soportes de gabinete puede hacer falta perforar previamente los orificios con una broca de $\frac{1}{8}$ " (3 mm) de diámetro.

Configuración del accesorio de moldura lateral Electrolux TRMKTSSILV84

5. Con ocho tornillos 3H y un taladro eléctrico, ajuste los 2 soportes de fijación de la moldura lateral a los bordes de la abertura delantera izquierda y derecha del gabinete con los soportes que tocan el piso (Fig. 9). Asegúrese de que las ranuras rectangulares se extiendan sobre el borde del gabinete.

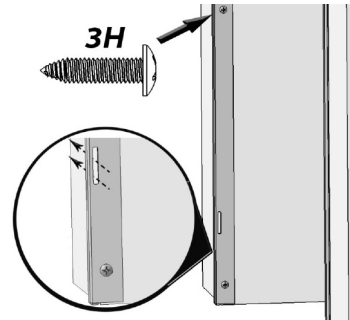


Fig. 8

Configuración del accesorio de moldura lateral Frigidaire TRMKTEZ1FL79

6. Según el tornillo largo que haya recibido (6H o 7H), atornille un tornillo largo en la parte inferior izquierda (Fig. 9A) del espacio del gabinete frontal, cerca de la ubicación descrita en la Fig. 9B.
7. Repita el paso 6 para el lado derecho del gabinete con el otro tornillo 6H/7H.

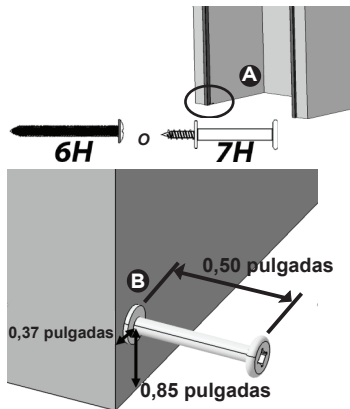


Fig. 9

9. a. Deslice la unidad hasta su posición y asegúrese de que la instalación doble esté centrada.
- b. Perfore orificios guía de $\frac{1}{8}$ " y ajuste dos tornillos 3H en el lado derecho de la moldura superior con un destornillador Phillips a los gabinetes (Fig. 13).
- c. Repita el procedimiento para el lado izquierdo.

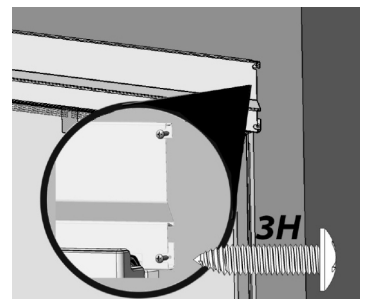


Fig. 13

Instalación de la moldura lateral Frigidaire TRMKTEZ1FL79

10. a. Coloque las molduras laterales en su lugar dejándolas caer sobre el tornillo de colocación como se muestra en la Fig. 9 y ajustando sobre la moldura superior (Fig. 14).
- b. Ajuste un tornillo 2H a cada lado de la moldura superior (Fig. 14).
¡Ajuste de forma manual únicamente!

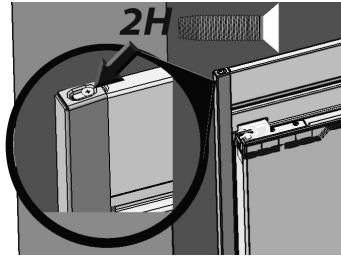


Fig. 14

Instalación de la moldura lateral Electrolux TRMKTSSILV84

11. a. Deslice la moldura lateral izquierda hasta su posición guiando cuidadosamente los ganchos de la moldura lateral a través de las ranuras del accesorio de la moldura lateral. La Figura 15 muestra una vista interior.

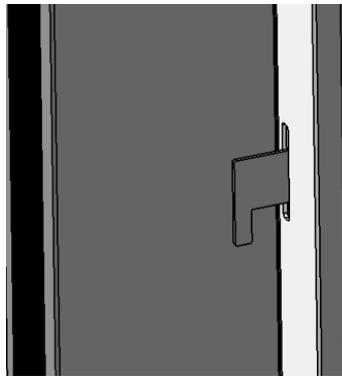


Fig. 15

- b. Ajuste los tornillos 2H a la moldura superior (Fig. 16) y repita el procedimiento para el lado derecho.
¡Ajuste de forma manual únicamente!

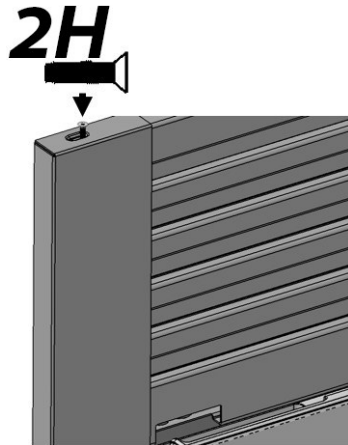


Fig. 16

12. a. Elija el zócalo que desea colocar debajo de la unidad según el lado en el que se encuentre la bisagra de la puerta (Fig. 17). No necesita el otro zócalo.
- b. Coloque con cuidado el zócalo sobre las 2 ranuras del conjunto nivelador. La primera ranura del conjunto nivelador está marcada con un círculo en la Fig. 18, y la segunda ranura del conjunto nivelador está marcada con un círculo en la Fig. 19.
- c. Ajuste el zócalo hasta que los imanes estén acoplados a los pernos del conjunto nivelador y el zócalo esté apoyado verticalmente en su lugar.

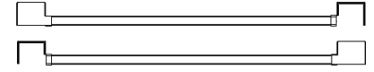


Fig. 17

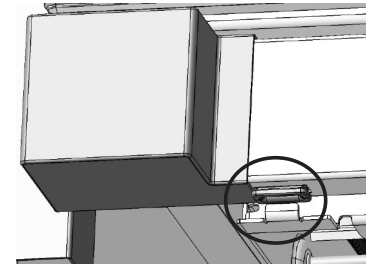


Fig. 18

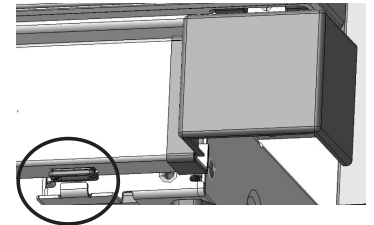


Fig. 19

Nota: Consulte el Manual de uso y cuidado para ajustar la altura de la puerta si es necesario.

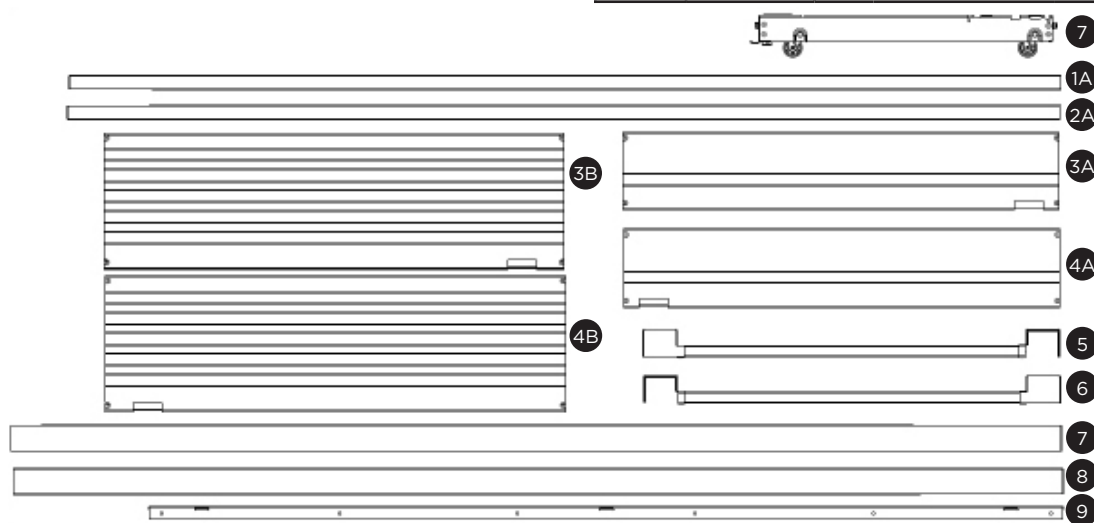
Trousse d'installation de garniture de réfrigérateur et de congélateur à une porte pour tous les modèles.

Gamme de produit : Toutes les plages de numéro de série des modèles de réfrigérateur et de congélateur : Toutes les plages de numéros de série

Composants de la trousse de garniture simple (découpés pour armoires hautes de 79 et 84 po)

Marque		Numéro de trousse	Numéro de trousse de garniture simple
Frigidaire Professional		TRMKTEZIFL79	A16405201
No d'article	Numéro de pièce	Description	Qté
1A	A18684901	Garniture latérale, côté droit	1
2A	A18684902	Garniture latérale, côté gauche	1
3A	A16766503	Garniture supérieure, côté droit plat	1
4A	A16766505	Garniture supérieure, côté gauche plat	1
5	A18684505	Coup de pied, côté droit	1
6	A18684507	Coup de pied, côté gauche	1
7	A17111301	Assemblage du niveleur	2
8	A20841303	Ensemble de quincaillerie U19, simple	1

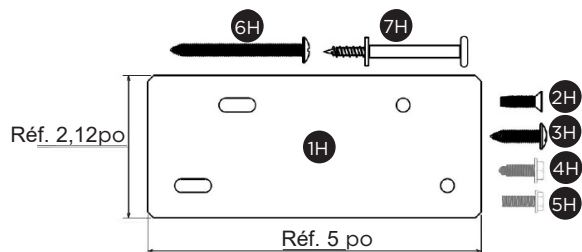
Marque		Numéro de trousse	Numéro de trousse de garniture simple
Electrolux		TRMKTSSILV84	A19895901
No d'article	Numéro de pièce	Description	Qté
1B	A19036503	Garniture latérale, côté droit	1
2B	A19036504	Garniture latérale, côté gauche	1
3B	A19036402	Garniture supérieure, persienne côté droit	1
4B	A19036403	Garniture supérieure, persienne côté gauche	1
5	A18684506	Coup de pied, côté droit	1
6	A18684508	Coup de pied, côté gauche	1
7	A17111301	Assemblage du niveleur	2
8	A20841304	Ensemble de quincaillerie U19, simple	1
9	A19036701	Fixation de garniture latérale	2



Ensemble de quincaillerie A20841303			
ARTICLE	NUMÉRO DE PIÈCE	DESCRIPTION	QTÉ
1H	A18695801	Barre d'attache, dessus	1
2H	297142600	Vis à tête plate, no 8-32	2
3H	050149	Vis tête ronde, no 8-18	4
4H	A16955502	Boulon, M5 x 16	6
5H	A21188301	Boulon, ¼-20	2
6H, 7H	A20706101	Vis de base de la garniture	1

Ensemble de quincaillerie A20841304			
ARTICLE	NUMÉRO DE PIÈCE	DESCRIPTION	QTÉ
1H	A18695801	Barre d'attache, dessus	1
2H	297142600	Vis à tête plate, no 8-32	2
3H	050149	Vis tête ronde, no 8-18	12
4H	A16955502	Boulon, M5 x 16	6
5H	A21188301	Boulon, ¼-20	2

REMARQUE : Tous les composants de l'ensemble de quincaillerie mentionnés dans cette feuille d'instructions auront un « H » après le numéro d'article.



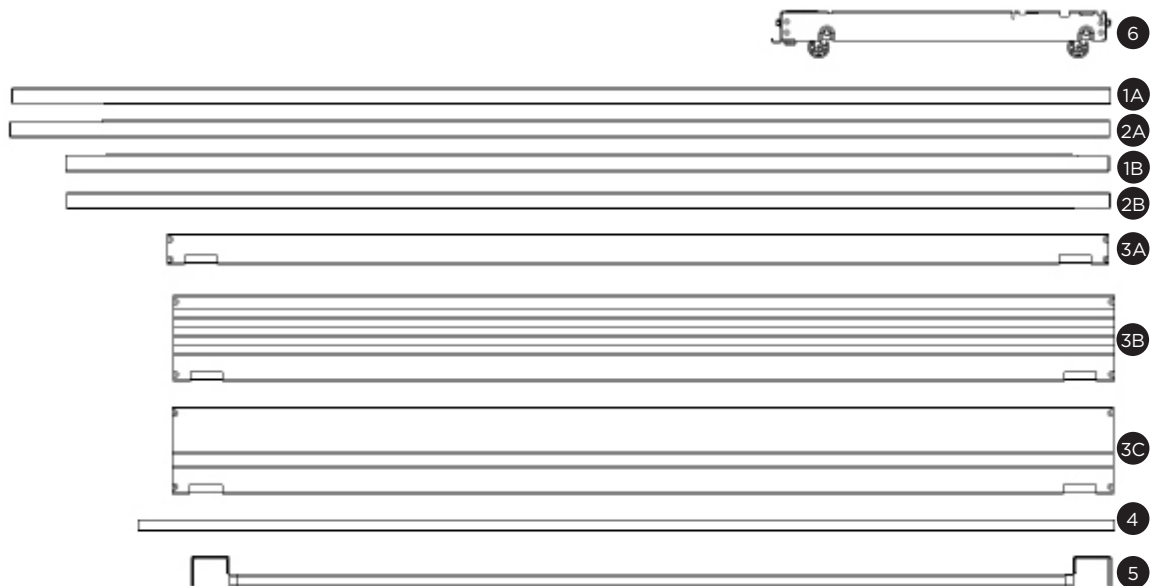
Composants de la trousse de garniture simple (découpés pourarmoires hautes de 75 et 79 po)

Marque		Numéro de trousse	Trousse de garniture double numéro
Frigidaire		TRMKTEZ2FL75	A18643301
No d'article	Numéro de pièce	Description	Qté
1B	A18685001	Garniture latérale, côté droit	1
2B	A18685002	Garniture latérale, côté gauche	1
3A	A18694901	Garniture supérieure, collet	1
4	A18685101	Garniture centrale	1
5	A18684501	Coup de pied	1
6	A17111301	Assemblage du niveleur	4
7	A20841301	Ensemble de quincaillerie U19, simple	1

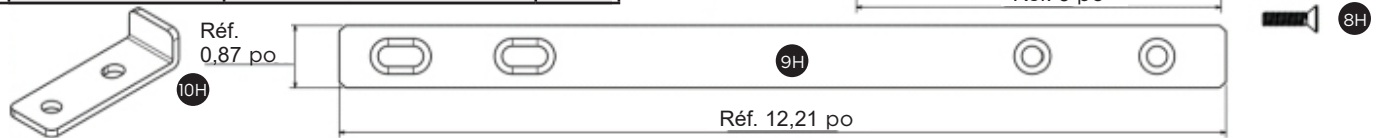
Marque		Numéro de trousse	Trousse de garniture double numéro
Frigidaire		TRMKTEZ2LV79	A16405401
No d'article	Numéro de pièce	Description	Qté
1A	A18684901	Garniture latérale, côté droit	1
2A	A18684902	Garniture latérale, côté gauche	1
3B	A18804301	Garniture supérieure, persienne	1
4	A18685101	Garniture centrale	1
5	A18684501	Coup de pied	1
6	A17111301	Assemblage du niveleur	4
7	A20841301	Ensemble de quincaillerie U19, simple	1

Marque		Numéro de trousse	Trousse de garniture double numéro
Frigidaire		TRMKTEZ2FL79	A16404901
No d'article	Numéro de pièce	Description	Qté
1A	A18684901	Garniture latérale, côté droit	1
2A	A18684902	Garniture latérale, côté gauche	1
3C	A16766501	Garniture supérieure, plate	1
4	A18685101	Garniture centrale	1
5	A18684501	Coup de pied	1
6	A17111301	Assemblage du niveleur	4
7	A20841301	Ensemble de quincaillerie U19, simple	1

Marque		Numéro de trousse	Trousse de garniture double numéro
Electrolux		TRMKTSS2FL79	A16404902
No d'article	Numéro de pièce	Description	Qté
1A	A18684903	Garniture latérale, côté droit	1
2A	A18684904	Garniture latérale, côté gauche	1
3C	A16766502	Garniture supérieure, plate	1
4	A18685102	Garniture centrale	1
5	A18684502	Coup de pied	1
6	A17111301	Assemblage du niveleur	4
7	A20841301	Ensemble de quincaillerie U19, simple	1

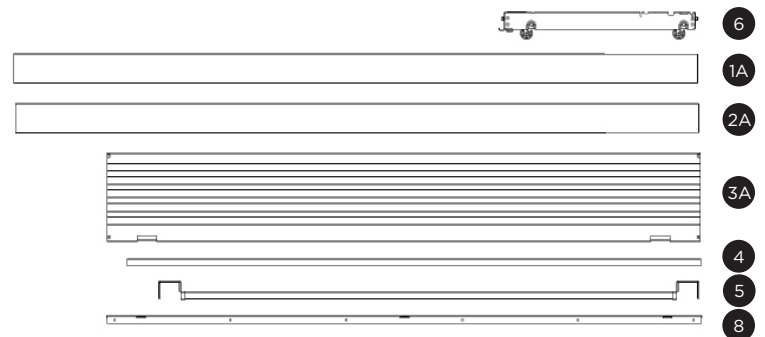


Ensemble de quincaillerie A20841301			
ARTICLE	NUMÉRO DE PIÈCE	DESCRIPTION	QTÉ
1H	A18695801	Barre d'attache, dessus	1
2H	297142600	Vis à tête plate, no 8-32	2
3H	050149	Vis tête ronde, no 8-18	4
4H	A16955502	Boulon, M5 x 16	6
5H	A21188301	Boulon, ¼-20	2
6H, 7H	A20706101	Vis de base de la garniture	1
8H	A20632701	Vis, 10-24 x ¾	8
9H	A16770801	Barre d'attache, bas	2
10H	A18685301	Support de garniture centrale	1



Composants de la trousse de garniture double (découpés pour les armoires hautes de 84 po)

Marque		Numéro de trousse	Trousse de garniture double numéro
Electrolux		TRMKTSS2LV84	A16405301
No d'article	Numéro de pièce	Description	Qté
1A	A19036501	Garniture latérale, côté droit	1
2A	A19036502	Garniture latérale, côté gauche	1
3A	A19036401	Garniture supérieure, persienne	1
4	A18685102	Garniture centrale	1
5	A18684502	Coup de pied	1
6	A17111301	Assemblage du niveleur	4
7	A20841302	Ensemble de quincaillerie U19, double	1
8	A19036701	Fixation de garniture latérale	2



Ensemble de quincaillerie A20841301			
ARTICLE	NUMÉRO DE PIÈCE	DESCRIPTION	QTÉ
1H	A18695801	Barre d'attache, dessus	1
2H	297142600	Vis à tête plate, no 8-32	2
3H	050149	Vis tête ronde, no 8-18	12
4H	A16955502	Boulon, M5 x 16	14
5H	A21188301	Boulon, ¼-20	4
8H	A20632701	Vis, 10-24 x ¾	8
9H	A16770801	Barre d'attache, bas	2
10H	A18685301	Support de garniture centrale	1



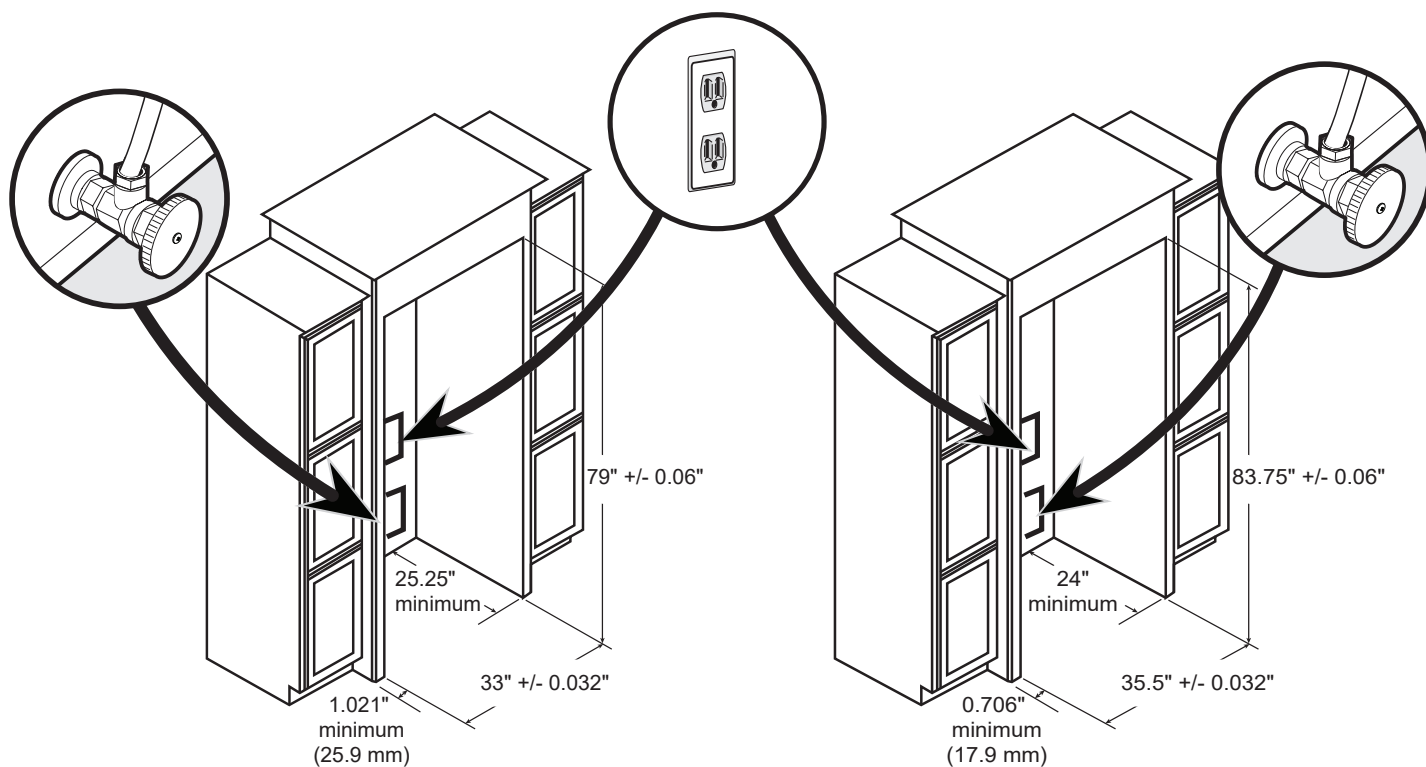
Trousse de garniture simple (découpe d'armoires hautes de 79 po et 84 po)

TRMKTEZ1FL79 (Frigidaire)

TRMKTSSILV84 (Electrolux)

 **IMPORTANT**

Assurez-vous que le congélateur et le réfrigérateur disposent de deux prises murales duplex distinctes reliées à la terre, comme indiqué dans le manuel d'utilisation et d'entretien.

**Dimensions des découpes du meuble**

Utilisez ces dimensions pour construire les ouvertures de l'armoire de cuisine pour le réfrigérateur et le congélateur.

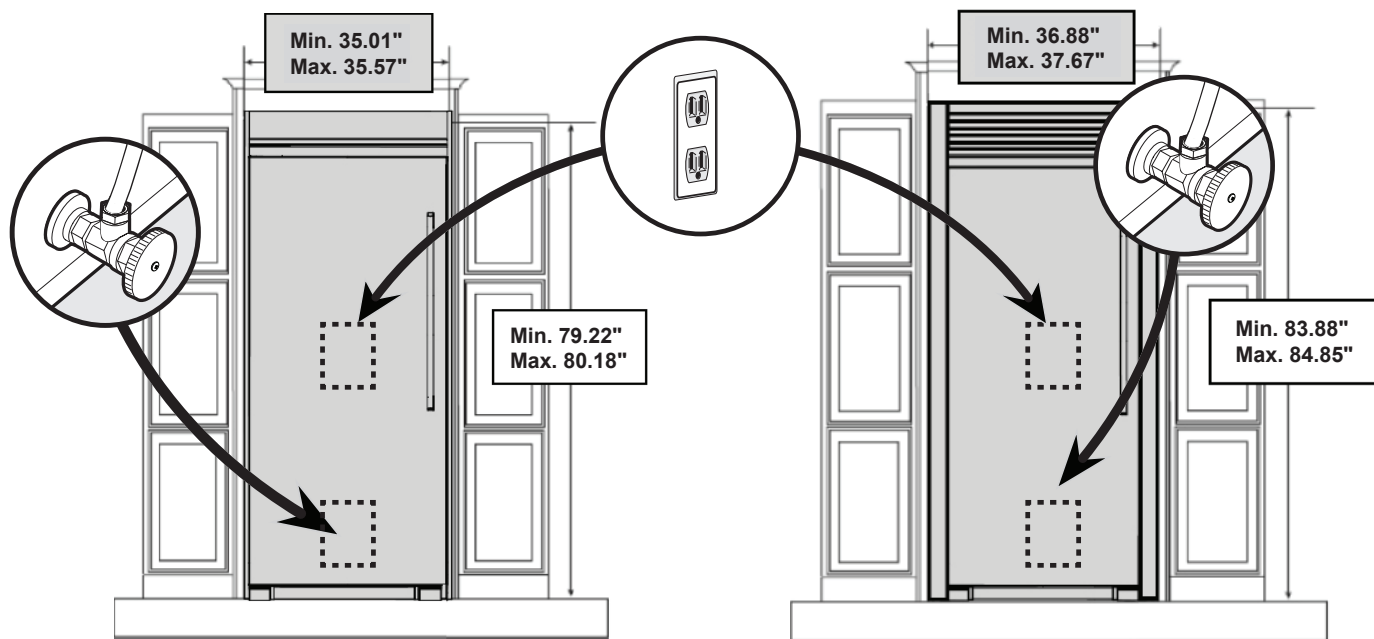
Trousse de garniture simple(découpe d'armoires hautes de 79 po et 84 po)

TRMKTEZ1FL79 (Frigidaire)

TRMKTSSILV84 (Electrolux)

 **IMPORTANT**

Assurez-vous que le congélateur et le réfrigérateur disposent de deux prises murales duplex distinctes reliées à la terre, comme indiqué dans le manuel d'utilisation et d'entretien.

**Dimensions de la trousse de garniture de finition**

Utilisez ces dimensions pour disposer les portes, tiroirs et étagères de l'armoire adjacents.

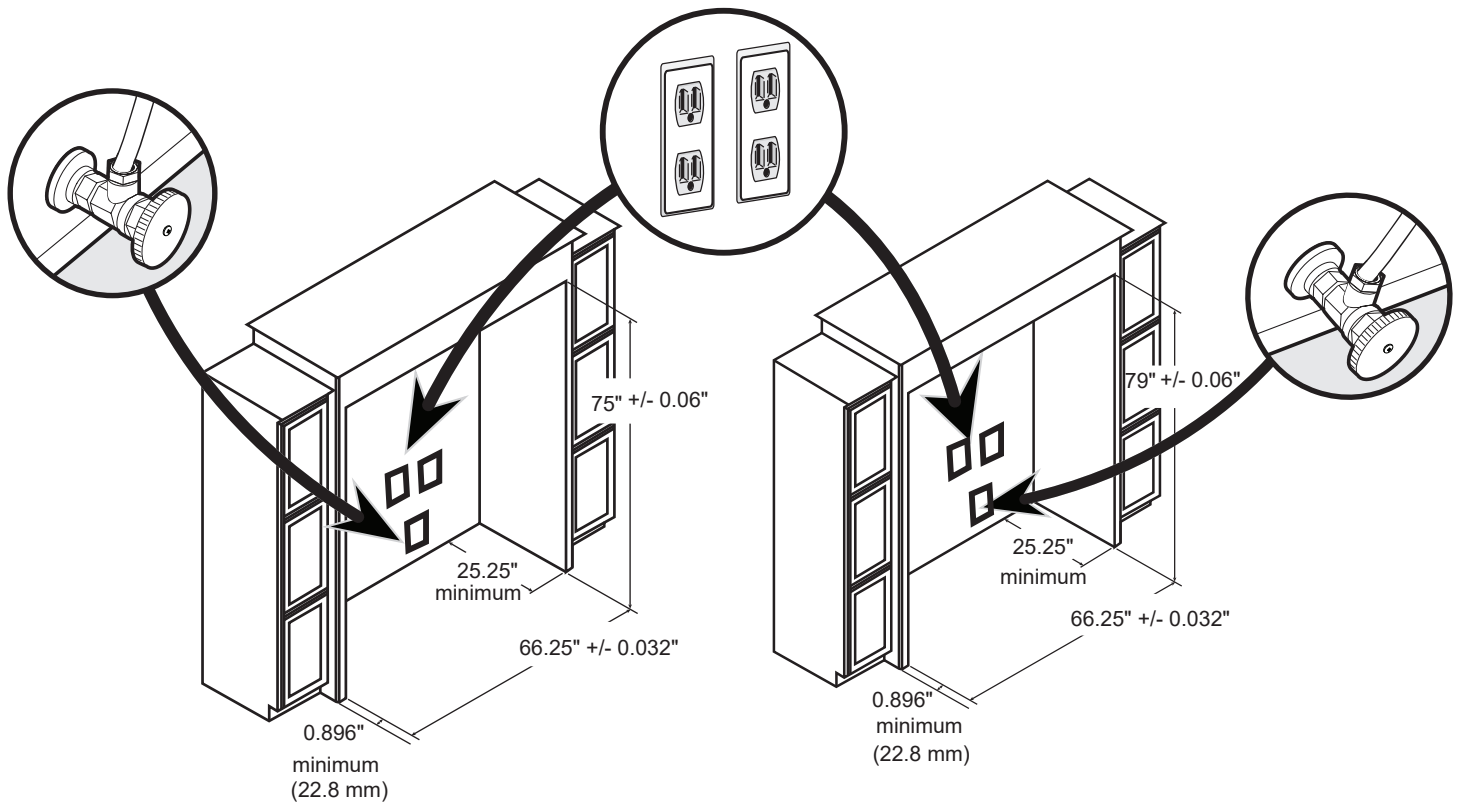
Trousse de garniture double (découpe d'armoires hautes de 75 po et 79 po)

IMPORTANT

Utilisez deux prises électriques doubles encastrées et une vanne d'arrêt d'eau encastrée d'une ouverture minimale de 24 po. Pour les nouvelles constructions, utilisez une profondeur d'armoire de 25,25 po.

REMARQUE

Pour installer une trousse de garniture double ou une trousse d'appariement, il n'y a pas de cloison entre le congélateur et le réfrigérateur.

TRMKTEZ2FL75 (Frigidaire)**TRMKTEZ2FL79 (Frigidaire)****TRMKTSS2FL79 (Electrolux)****TRMKTEZ2LV79 (Frigidaire)****Dimensions des découpes du meuble**

Utilisez ces dimensions pour construire les ouvertures de l'armoire de cuisine pour le réfrigérateur et le congélateur.

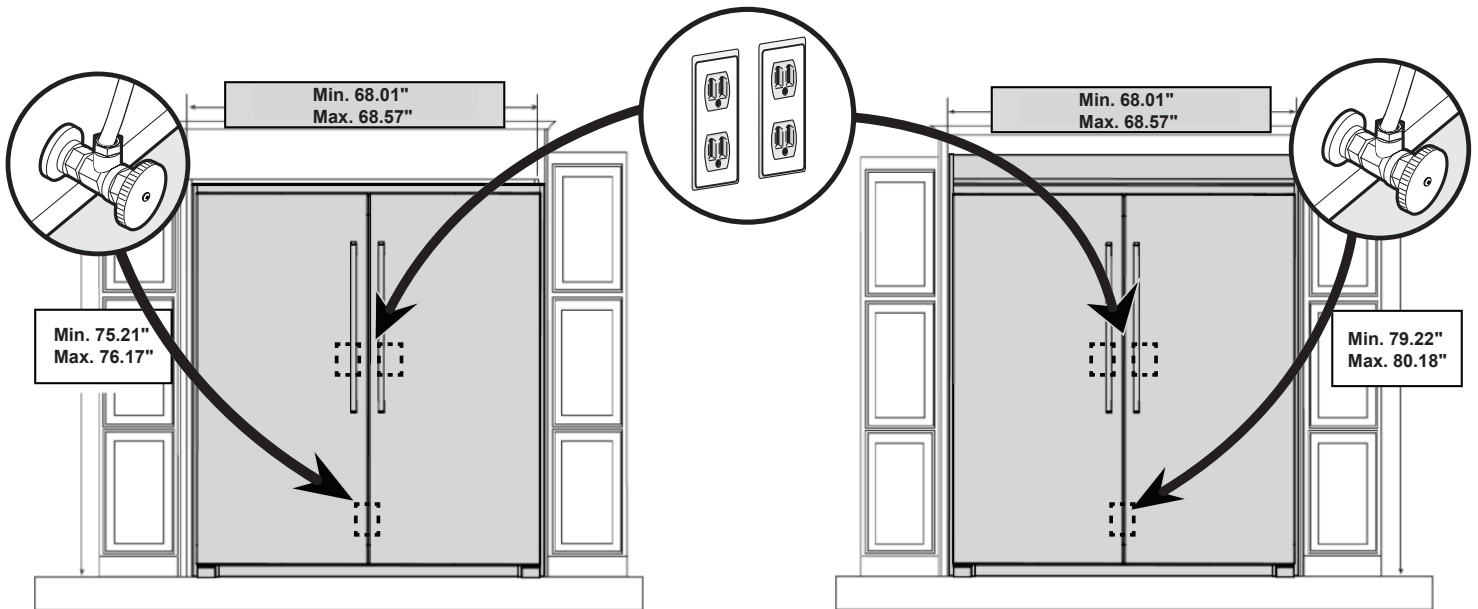
Trousse de garniture double (découpe d'armoires hautes de 75 po et 79 po)

IMPORTANT

Utilisez deux prises électriques doubles encastrées et une vanne d'arrêt d'eau encastrée d'une ouverture minimale de 24 po. Pour les nouvelles constructions, utilisez une profondeur d'armoire de 25,25 po.

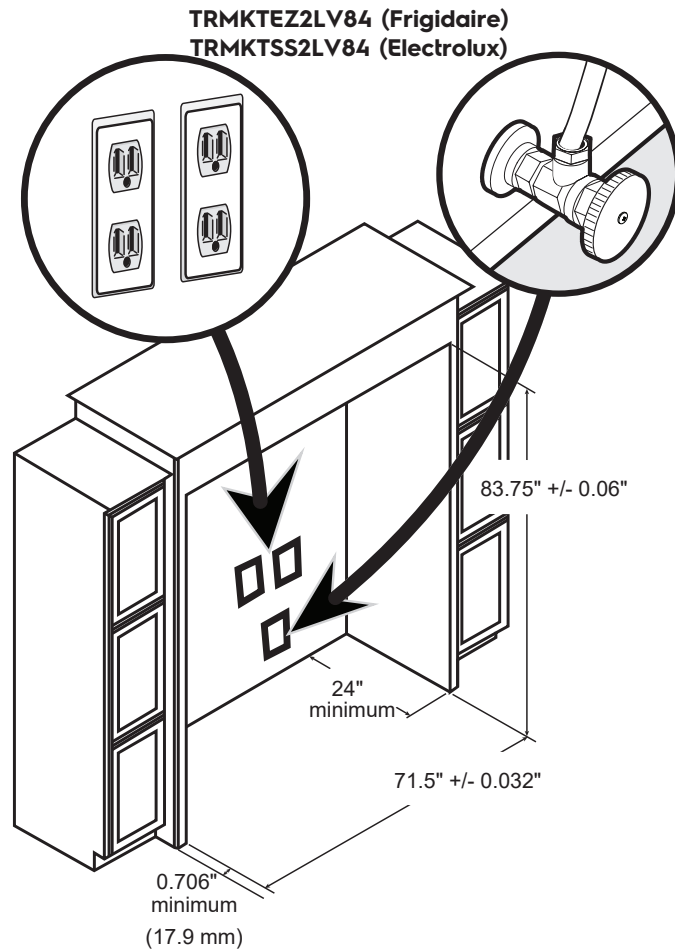
REMARQUE

Pour installer une trousse de garniture double ou une trousse d'appariement, il n'y a pas de cloison entre le congélateur et le réfrigérateur.

TRMKTEZ2FL75 (Frigidaire)**TRMKTEZ2FL79 (Frigidaire)****TRMKTSS2FL79 (Electrolux)****TRMKTEZ2LV79 (Frigidaire)****Dimensions de la trousse de garniture de finition**

Utilisez ces dimensions pour disposer les portes, tiroirs et étagères de l'armoire adjacents.

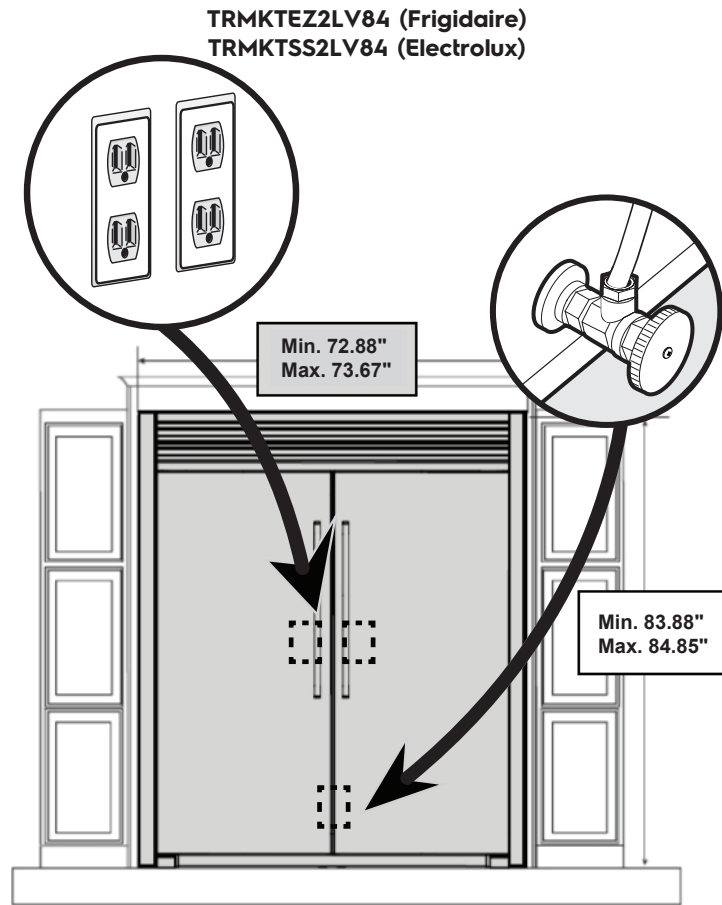
Trousses de garniture double (découpe d'armoires hautes de 84 po)



Dimensions des découpes du meuble

Utilisez ces dimensions pour construire les ouvertures de l'armoire de cuisine pour le réfrigérateur et le congélateur.

Trousses de garniture double(découpe d'armoires hautes de 84 po)



Dimensions de la trousse de garniture de finition

Utilisez ces dimensions pour disposer les portes, tiroirs et étagères de l'armoire adjacents.

IMPORTANT

Utilisez deux prises électriques doubles encastrées et une vanne d'arrêt d'eau encastrée d'une ouverture minimale de 24 po. Pour les nouvelles constructions, utilisez une profondeur d'armoire de 25,25 po.

Sécurité : Portez toujours des lunettes de sécurité lorsque vous utilisez des outils électriques.

Outils nécessaires :

- Tournevis PhillipsMC
- Tournevis à tête plate
- Lunettes de sécurité
- Clé à douille de $\frac{3}{8}$ po et $\frac{5}{16}$ po
- Perceuse électrique avec tourne-écrou de $\frac{5}{16}$ po
- Tourne-écrou de $\frac{3}{8}$ po
- Escabeau
- Ruban à mesurer
- Gants
- Niveau

Avant de commencer

- Soyez prudent lorsque vous déballez les composants. Ne pas utiliser d'objets tranchants pour retirer le matériel d'emballage. Cela peut égratigner la surface des composants de la garniture.
- Manipulez les pièces de garniture en métal avec un soin extrême, car les coins s'endommagent facilement lors de chutes.

Instructions pour les trousse de garniture d'installation double :

TRMKTEZ2FL75 (Frigidaire)

TRMKTEZ2LV79 (Frigidaire)

TRMKTEZ2FL79 (Frigidaire)

TRMKTSS2FL79 (Electrolux)

TRMKTSS2LV84 (Electrolux)

TRMKTEZ2LV84 (Frigidaire)

Raccordement de la conduite d'alimentation d'eau et d'électricité

REMARQUE

Consultez le manuel d'utilisation et d'entretien pour connaître les exigences en matière d'alimentation électrique et le raccordement d'alimentation en eau avant de continuer. Trouvez la **trousse d'entretien TFLTRICEKIT** sur ElectroluxAppliances.com pour connecter la conduite d'eau et filtrer la glace.

REMARQUE

Si l'unité de congélation est compatible avec la trousse de filtre à eau, veuillez consulter les instructions de la trousse de filtre à eau.

MISE EN GARDE

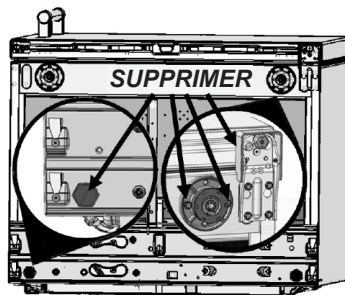
Les appareils sont lourds. L'installation nécessite deux personnes.

IMPORTANT

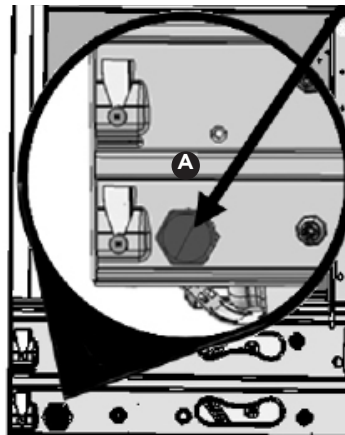
Assurez-vous qu'il y a deux sorties distinctes pour le congélateur et le réfrigérateur.

Installation du système de mise à niveau

1. a. Déposez le réfrigérateur et le congélateur sur le dos sur le matériel d'emballage, ou une toile de protection pour éviter les dommages et protéger le plancher.



- b. Retirez les 4 pieds de nivellement arrière des 2 unités en les dévissant dans le sens antihoraire (Fig. 1A) et rangez-les avec votre documentation de produit.



- c. Retirez les 4 pieds de nivellement avant des 2 unités en dévissant la cheville extérieure et les 2 boulons de chaque pied de nivellement avant avec un tourne-écrou de $\frac{5}{16}$ po et rangez-les avec votre documentation de produit. Retirez le couvercle de la charnière s'il est installé (Fig. 1B).

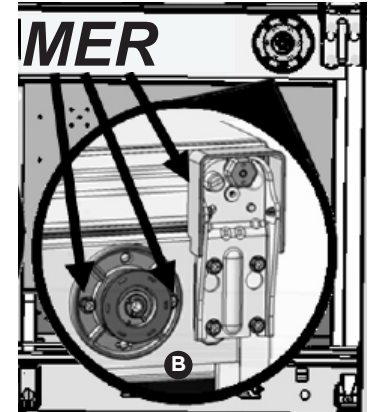


Fig. 1

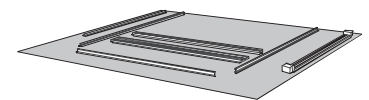


Fig. 2

2. Disposez les pièces sur une zone dégagée, face vers le bas. Assurez-vous de placer une toile de protection sur le plancher pour éviter d'égratigner la trousse de garniture ou le plancher (Fig. 2).

3. a. Installer le premier assemblage de niveleur sur un réfrigérateur/ congélateur (Fig. 3).

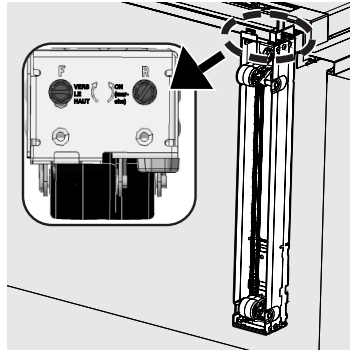


Fig. 3

- b. À l'aide d'un boulon 5H et d'une perceuse électrique, fixez le bas de l'assemblage du niveleur avec un tourne-écrou hexagonal de $\frac{3}{8}$ po dans le trou qui chevauche le trou de la vis (Fig. 4).
Remarque : L'arrière du support est profilé pour glisser sur la base métallique du compresseur. Le fait d'enfoncer d'abord le boulon arrière garantit un alignement correct de l'assemblage du niveleur.

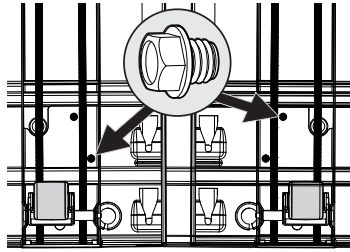


Fig. 4

- c. À l'aide des boulons 4H de l'étape 1, fixez l'avant de l'assemblage du niveleur au réfrigérateur/ congélateur à l'aide d'un tourne-écrou de $\frac{5}{16}$ po (Fig. 5).

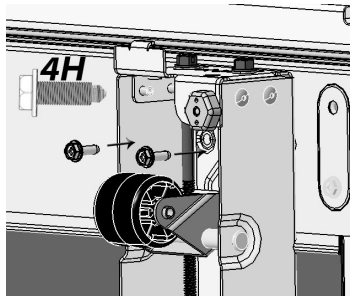


Fig. 5

Pour les étapes 3b et 3c, si vous avez besoin de plus d'espace pour le tourne-écrou, tournez le boulon étiqueté **F** dans le sens horaire (Fig. 6) à l'aide d'un tournevis à tête plate ou d'une clé à douille de $\frac{3}{8}$ po.

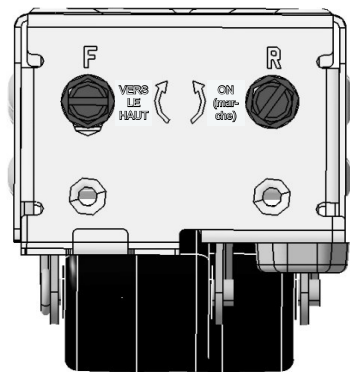


Fig. 6

- d. Fixez les 3 assemblages de niveleur restant comme décrit dans les 3 étapes précédentes en utilisant les six boulons 4H restants et les trois autres boulons 5H. Avec la ou les unités toujours sur le dos, ajuster toutes les roulettes de mise à niveau à niveau à l'orientation approximative de la Fig. 7.

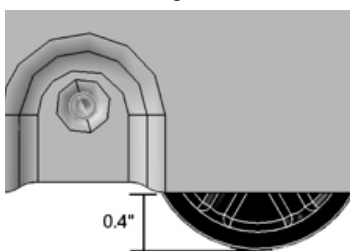


Fig. 7

Trousse de garniture support de garniture centrale

4. Avec le réfrigérateur toujours sur le dos, utilisez un tourne-écrou $\frac{5}{16}$ po pour retirer deux boulons 4H et fixez la barre en L 10H (Fig. 8).
Remarque : La bride courte de la barre en L doit être orientée vers le haut du réfrigérateur.

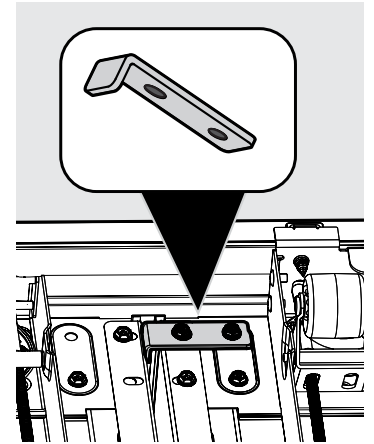


Fig. 8

5. Placez les deux unités à la verticale.

! MISE EN GARDE

L'unité est lourde. Il est recommandé que deux personnes soulèvent ou déplacent l'unité.

Installation de la trousse d'appariement

Avant de nettoyer votre appareil, coupez l'alimentation en débranchant le cordon d'alimentation de la prise électrique. Essayez les deux côtés du réfrigérateur et du congélateur.

REMARQUE

N'utilisez jamais de CHLORE pour nettoyer l'acier inoxydable. Nettoyez le devant et les poignées en acier inoxydable avec de l'eau savonneuse non abrasive et un chiffon. Rincez avec de l'eau propre et un chiffon doux. Essayez les taches tenaces avec un essuie-tout imbibé d'ammoniaque, puis rincez. Utilisez un nettoyeur pour acier inoxydable non abrasif, comme le **nettoyant pour acier inoxydable Frigidaire ReadyClean™** qui se trouve sur le site Frigidaire.com. Suivez toujours les instructions du fabricant.

REMARQUE

Toujours nettoyer, essuyer et sécher en suivant le grain pour éviter les rayures. Lavez le reste de l'unité avec de l'eau tiède et un détergent liquide doux. Rincez correctement et essuyez avec un chiffon doux et propre.

MISE EN GARDE

Utilisez des gants pour la prochaine étape.

REMARQUE : Avant de retirer le support en papier, alignez les blocs chauffants, afin de vous assurer que les fils sortent vers le centre et l'arrière du réfrigérateur/congélateur (comme illustré à la figure 9).

- Retirez la pellicule protectrice en papier du premier bloc chauffant.
- Collez le premier bloc chauffant sur le côté inférieur droit de l'unité de gauche (0,5 po du bas et 0,5 po du mur arrière), afin pour que le harnais sorte du haut.

REMARQUE : Assurez-vous de coller complètement le bloc chauffant sans aucune bulle d'air (Fig. 2A).

- Retirez la pellicule protectrice en papier du deuxième bloc chauffant.
- Collez le deuxième bloc chauffant sur le côté supérieur gauche de l'unité de droite (0,5 po du haut et 0,5 po du mur arrière), afin pour que le harnais sorte par le bas.

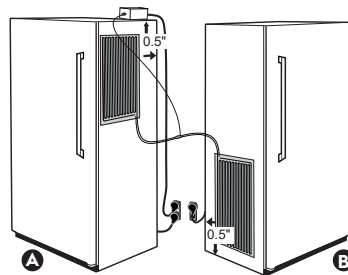


Fig. 9

REMARQUE : Assurez-vous de coller complètement le bloc chauffant sans aucune bulle d'air (Fig. 9B). Pour une meilleure adhérence, retirez l'étiquette jaune sur le côté de l'unité

REMARQUE : Pour obtenir les meilleurs résultats, veuillez utiliser les configurations des blocs chauffants mentionnés (côté supérieur droit du congélateur et côté inférieur gauche du réfrigérateur).

Évitez d'installer :

- les deux blocs chauffants sur le congélateur
 - les deux blocs chauffants sur le réfrigérateur
 - les deux blocs chauffants sur le dessus
 - les deux blocs chauffants au bas
 - les deux blocs chauffants au centre
10. Branchez le connecteur des deux **blocs chauffants A** dans le **bloc d'alimentation C** (Fig. 10).

REMARQUE : Vous ne pouvez pas sentir la température du bloc chauffant, car les coussins chauffent à peine.

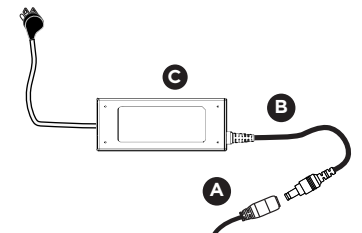
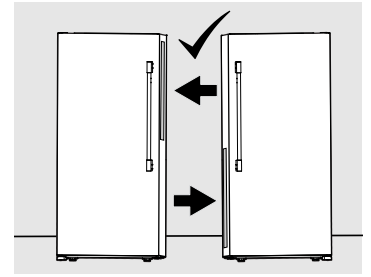


Fig. 10

REMARQUE : Assurez-vous que le bloc d'alimentation s'insère dans la découpe lorsqu'il est placé sur le dessus de l'appareil. Assurez-vous aussi que le bloc d'alimentation atteint la prise de courant lorsqu'il est placé sur le dessus de l'appareil (Fig. 11A). La longueur de fil supplémentaire est fournie pour l'emplacement de la prise.

11. Appliquez les deux bandes de ruban adhésif double face sur le bloc d'alimentation et collez le bloc d'alimentation sur le dessus de l'unité (Fig. 11B).

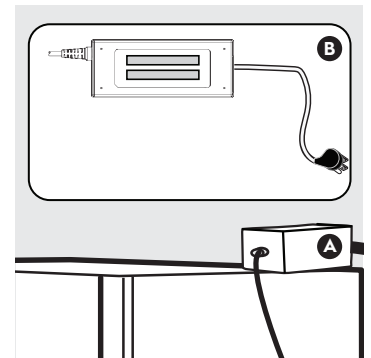


Fig. 11

12. Si le bloc d'alimentation ne peut pas être placé sur le dessus de l'unité, collez-le verticalement sur la paroi arrière de l'unité et assurez-vous que le connecteur à trois broches est orienté vers le bas (Fig. 12).

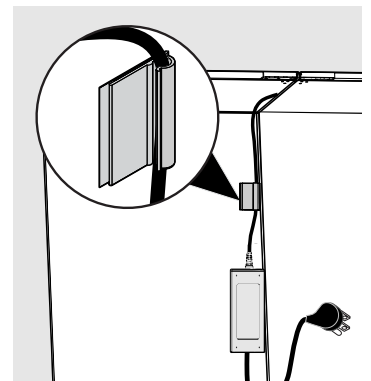


Fig. 12

13. Utilisez les attaches fournies pour tenir l'excédant des cordons d'alimentation à l'arrière des unités de sorte que tous les fils sont éloignés du sol (Fig. 13).

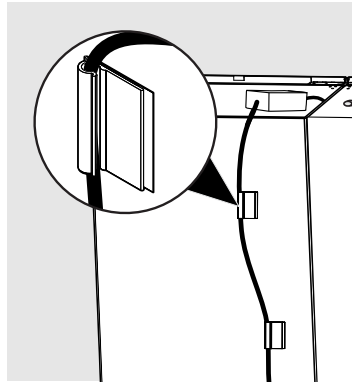


Fig. 13

REMARQUE : Assurez-vous que les faisceaux et les câbles sont dégagés du plancher avant de remettre les unités en place. Cela évitera d'endommager les fils.

REMARQUE : L'emplacement des attaches illustré à titre d'exemple.

14. Branchez l'alimentation électrique dans la prise principale avant de pousser les unités en position finale.

Installation de la barre d'attache de l'ensemble de garniture

IMPORTANT

- Avant de procéder à l'installation de la garniture, assurez-vous que le réfrigérateur et le congélateur sont au même niveau de l'avant vers l'arrière et de gauche à droite.
- Assurez-vous que les 8 roues touchent le sol.

15. En ayant le réfrigérateur/ congélateur côte à côte écarté de 1/2 po, fixez un support 9H à l'avant des niveleurs (Fig. 14), en gardant les vis, 8H du côté gauche, desserrées.

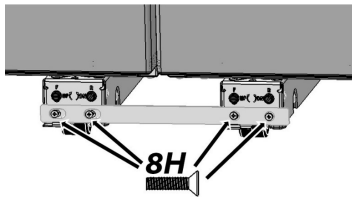


Fig. 14

Serrez à la main seulement!
REMARQUE : Un côté du support est alésé pour des ajustements fins à l'étape 18c.

16. Fixez l'autre support 9H aux niveleurs arrière (Fig. 15), en gardant les vis à droite desserrées.

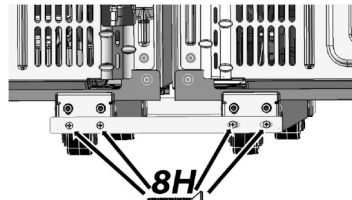


Fig. 15

Serrez à la main seulement!

17. Fixez la barre d'attache supérieure 1H (Fig. 16), en gardant les 2 boulons 4H gauches desserrés.

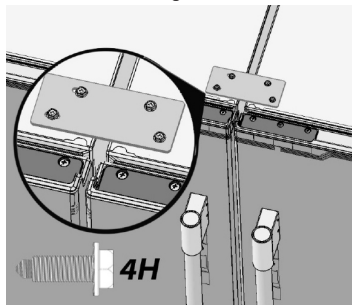


Fig. 16

18. a. Ouvrez les portes et placez la garniture du milieu entre les deux unités.
b. Ajustez l'écart des unités au besoin pour centraliser la garniture du milieu. Commencez par fixer les vis sur le support supérieur 1H, afin d'espacer uniformément la garniture centrale (Fig. 17).

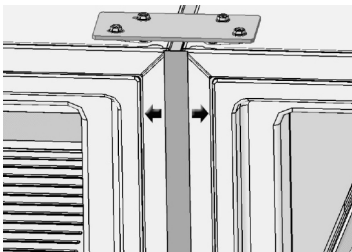


Fig. 17

- c. Fixez les quatre vis 8H (Fig. 14 et 15) à travers 2 supports 9H avant et arrière. Il se peut que vous ayez besoin de plusieurs réglages, afin que la garniture centrale soit bien alignée et centrée sur les unités.

REMARQUE : Avant de continuer, assurez-vous que les portes se ferment librement et restez parallèle. Le réglage de la hauteur des roues peut aider à corriger les problèmes d'alignement de la porte. Reportez-vous à l'**INSTALLATION** dans le manuel d'utilisation et d'entretien pour régler la hauteur de la porte.

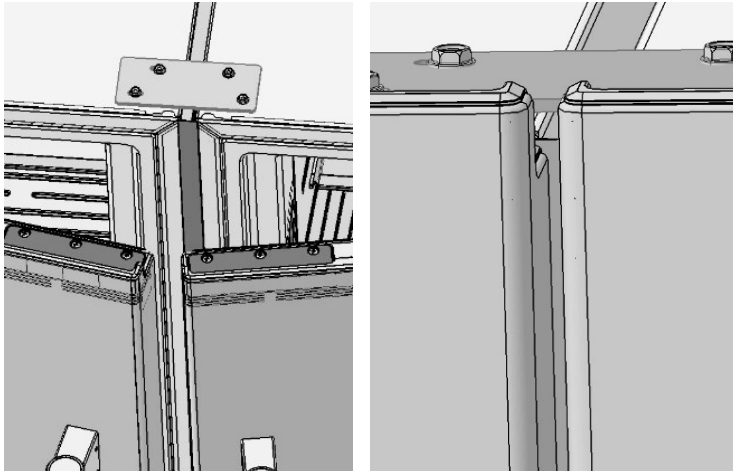


Fig. 18

REMARQUE

Avant de continuer, branchez les unités et vérifiez qu'elles fonctionnent correctement.

REMARQUE

Certains supports d'armoire peuvent nécessiter des trous de préperçage à l'aide d'une mèche de 3 mm (1/8 po) de diamètre.

Installation de l'accessoire de garniture latérale Electrolux TRMKTSS2LV84 (certains modèles)

19. À l'aide de huit vis 3H et d'une perceuse électrique, fixez les deux supports de fixation de la garniture latérale au bord de l'armoire avant gauche et droite avec les supports allant jusqu'au sol (Fig. 19). Assurez-vous que les fentes rectangulaires dépassent le bord de l'armoire.

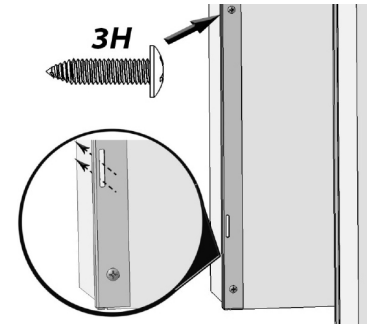


Fig. 19

Ajustement de l'accessoire de garniture latérale pour :

- TRMKTEZ2FL75 (Frigidaire)**
- TRMKTEZ2LV79 (Frigidaire)**
- TRMKTEZ2FL79 (Frigidaire)**
- TRMKTSS2FL79 (Electrolux)**

20. Selon la longueur des vis reçues (6H ou 7H), vissez une vis longue dans la partie inférieure gauche (Fig. 20A) de l'armoire murale avant, à proximité de l'endroit indiqué à la Fig. 20B.
21. Répéter l'étape 20 pour le côté droit de l'armoire murale à l'aide de l'autre vis 6H/7H.

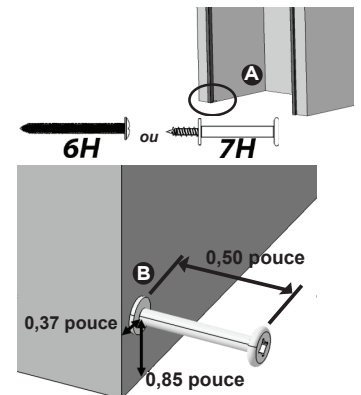


Fig. 20

REMARQUE : La profondeur de la vis varie selon les dimensions finales de la découpe de l'armoire. Nous vous recommandons de laisser environ 1/2 po de vis dépassant la paroi de l'armoire.

Fixation de la garniture supérieure

REMARQUE

Vous aurez besoin d'un escabeau pour installer les composants de la garniture supérieure.

22. a. Retirez les vis de charnière extérieure avant, communes aux deux côtés de l'installation double, ainsi que les deux vis avant 4H qui fixent la barre d'attache 1H (Fig. 21).
- b. Roulez l'installation double dans l'armoire, à environ $\frac{3}{4}$ de la profondeur, en vous assurant que le produit est centré dans l'enclave de l'armoire.
- c. Installez la garniture supérieure en fixant quatre vis 4H le long de la base de la garniture avec une clé à douille de $\frac{5}{16}$ po (Fig. 22).
23. a. Faites glisser l'installation double en place et assurez-vous qu'elle est centrée à l'intérieur des armoires.
- b. Percez des avant-trous de $\frac{1}{8}$ po et fixer deux vis 3H sur le côté droit de la garniture supérieure (une vis par côté pour la garniture supérieure à col) à l'aide d'un tournevis cruciforme dans les armoires (Fig. 23).
- c. Répéter pour le côté gauche.

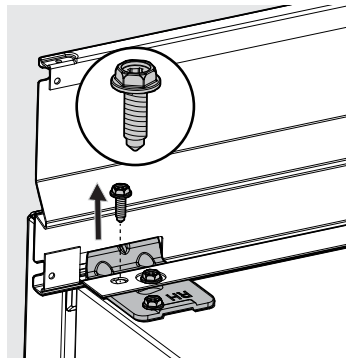


Fig. 21

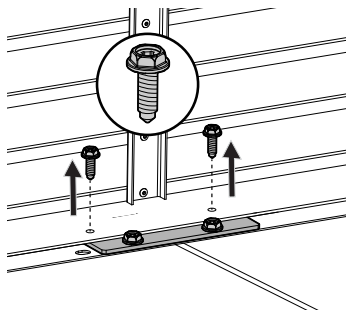


Fig. 22

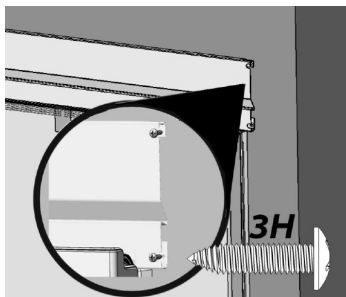


Fig. 23

Installation de la garniture latérale pour :

TRMKTEZ2FL75 (Frigidaire)

TRMKTEZ2LV79 (Frigidaire)

TRMKTEZ2FL79 (Frigidaire)

TRMKTSS2FL79 (Electrolux)

24. a. Placez les garnitures latérales en position en les faisant passer par-dessus la vis de positionnement comme indiqué à la Fig. 21 et en les raccordant sur la garniture supérieure (Fig. 24).

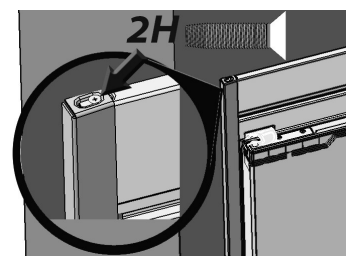


Fig. 24

Installation de la garniture latérale Electrolux TRMKTSS2LV84

25. a. Faites glisser la garniture latérale gauche en place en guidant soigneusement les fentes de fixation de la garniture latérale. La figure 25 montre une vue intérieure.

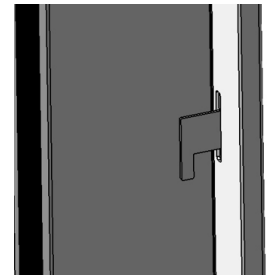


Fig. 25

- b. Fixez les vis 2H à la garniture supérieure (Fig. 26) et répétez pour le côté droit. **Serrez à la main seulement!**

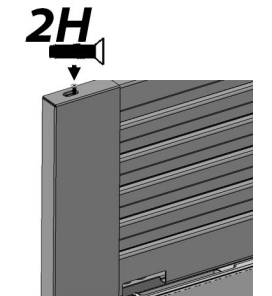


Fig. 26

26. a. Placez soigneusement les fentes de protection du coup de pied sur les 4 languettes de l'assemblage du niveleur. La première languette de l'assemblage de niveleur est encerclée à la Fig. 27, les deuxième et troisième languettes sont encerclées à la Fig. 28 et la quatrième languette est encerclée à la Fig. 29.
- b. Ajustez le coup de pied jusqu'à ce que les aimants soient engagés dans l'assemblage du niveleur et que le coup de pied repose verticalement en place.

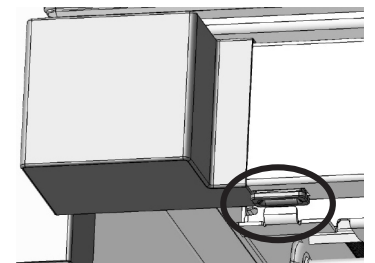


Fig. 27

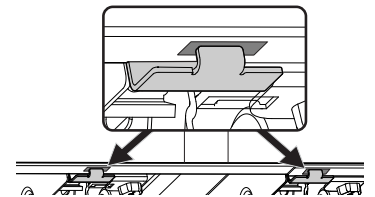


Fig. 28

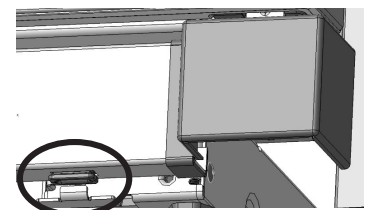


Fig. 29

Instructions pour les trousse de garniture d'installation simple :

TRMKTEZIFL79 (Frigidaire)

TRMKTSSILV84 (Electrolux)



MISE EN GARDE

Les appareils sont lourds. L'installation nécessite deux personnes.

Installation du système de mise à niveau

1.
 - a. Placez l'appareil sur le dos sur le matériel d'emballage ou sur une toile de protection pour éviter les dommages, et protéger le plancher.
 - b. Retirez les deux pieds de nivellement arrière en les dévissant dans le sens antihoraire (Fig. 1A) et rangez-les avec votre documentation de produit.
 - c. Retirez les deux pieds de nivellement avant en dévissant la cheville extérieure et les 2 boulons de chaque pied de nivellement avant avec un tourne-écrou de $\frac{5}{16}$ po. Retirez le couvercle de charnière s'il est installé (Fig. 1B) et rangez-le avec la documentation du produit.
2. Disposez les pièces sur une zone dégagée, face vers le bas. Assurez-vous de placer une toile de protection sur le plancher pour éviter d'égratigner la trousse de garniture ou le plancher (Fig. 2).
3.
 - a. Installer le premier assemblage de niveleur sur un réfrigérateur/congélateur (Fig. 3).

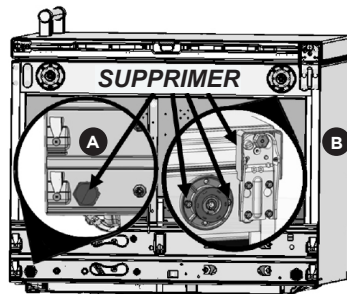


Fig. 1

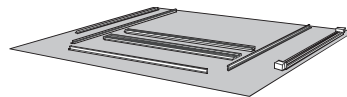


Fig. 2

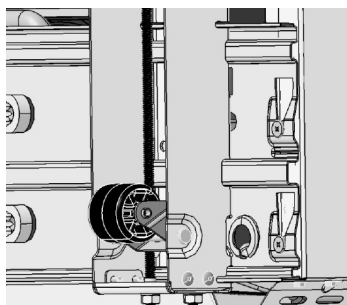


Fig. 3

- b. À l'aide d'un boulon 5H et d'une perceuse électrique, fixez le bas de l'assemblage du niveleur avec un tourne-écrou hexagonal de $\frac{3}{8}$ po dans le trou qui chevauche le trou de la vis (Fig. 4).
Remarque : L'arrière du support est profilé pour glisser sur la base métallique du compresseur. Le fait d'enfoncer d'abord le boulon arrière garantit un alignement correct de l'assemblage du niveleur.

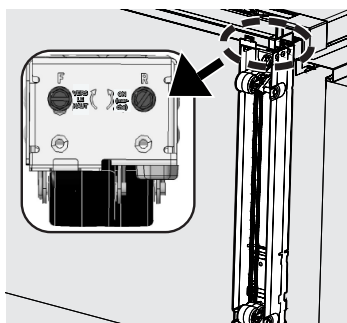


Fig. 4

- c. À l'aide des boulons 4H de l'étape 1, fixez l'avant de l'assemblage du niveleur au réfrigérateur/congélateur à l'aide d'un tourne-écrou de $\frac{5}{16}$ po (Fig. 5). Pour les étapes 3b et 3c, si vous avez besoin de plus d'espace pour le tourne-écrou, tournez le boulon étiqueté F dans le sens horaire (Fig. 6) à l'aide d'un tournevis à tête plate ou d'une clé à douille de $\frac{3}{8}$ po.

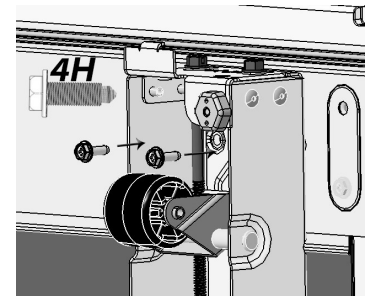


Fig. 5

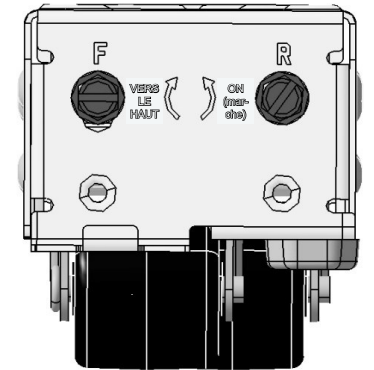


Fig. 6

- d. Fixez le reste de l'ensemble du niveleur comme décrit dans les 3 étapes précédentes. Avec la ou les unités toujours sur le dos, ajuster toutes les roulettes de mise à niveau à l'orientation approximative de la Fig. 7.

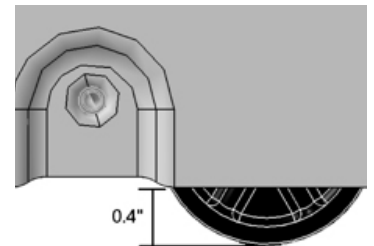


Fig. 7

Mettre au niveau l'unité

4. a. Basculez l'appareil à la verticale.
- b. Placez l'appareil dans l'espace de l'armoire ou aussi près que possible de la position finale (ne branchez pas encore l'alimentation ou l'eau). Cette étape est importante pour mettre l'unité de niveau avec précision avant d'effectuer d'autres installations.
- c. Utilisez un tournevis à tête plate ou une clé à douille de $\frac{3}{8}$ po pour ajuster les boulons avant des assemblages de niveleurs (Fig. 8). Soulevez ou abaissez les roues avant et arrière au besoin jusqu'à ce que l'unité repose correctement dans l'espace de l'armoire.
- d. Une fois les assemblages de niveleur vérifiés, remplacez l'unité devant les armoires pour qu'elle soit accessible.

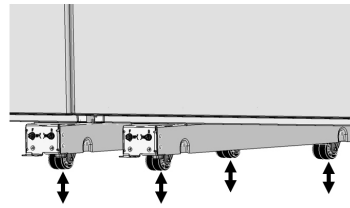


Fig. 8

Raccordement de la conduite d'alimentation d'eau et d'électricité

Remarque : Consultez le manuel d'utilisation et d'entretien pour connaître les exigences en matière d'alimentation électrique et le raccordement d'alimentation en eau avant de continuer. Trouvez la **trousse d'entretien TFLTRICEKIT** sur ElectroluxAppliances.com pour connecter la conduite d'eau et filtrer la glace.

Fixation de la garniture supérieure

REMARQUE

Vous aurez besoin d'un escabeau pour installer les composants de la garniture supérieure.

8. a. Retirez la vis extérieure avant de la charnière supérieure (Fig. 10) à l'aide d'une clé à douille de $\frac{5}{16}$ po ou d'une clé à mollet et conservez-la pour plus tard. Repérez le support 1H et placez-le sur le dessus de l'appareil à utiliser à l'étape 8d.
- b. Roulez grossièrement l'installation dans l'armoire, à environ $\frac{3}{4}$ de la profondeur, en vous assurant que le produit est centré dans l'enclave de l'armoire.
- c. Choisissez la garniture supérieure selon le côté de la charnière de porte (Fig. 11). Vous n'avez pas besoin de l'autre garniture supérieure pour l'installation.
- d. Installez la garniture supérieure en fixant quatre vis 4H le long de la base de la garniture avec une clé à douille de $\frac{5}{16}$ po (Fig. 12). Vissez le support 1H à l'étape 8a pour mettre la garniture supérieure à niveau correctement.

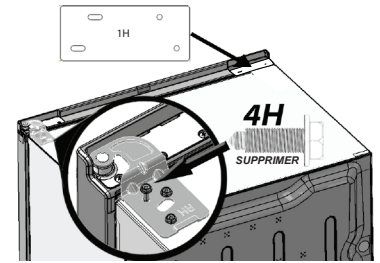


Fig. 10

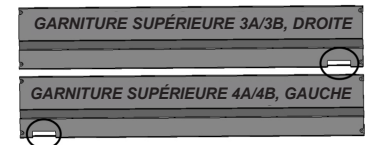


Fig. 11

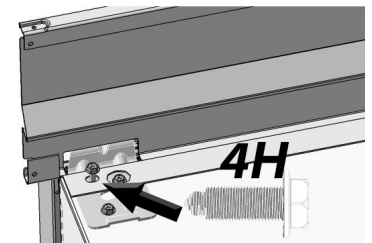


Fig. 12

REMARQUE

Certains supports d'armoire peuvent nécessiter des trous de préperçage à l'aide d'une mèche de $\frac{3}{32}$ mm ($\frac{1}{8}$ po) de diamètre.

Ajustement de l'accessoire de garniture latérale Electrolux TRMKTSSILV84

5. À l'aide de huit vis 3H et d'une perceuse électrique, fixez les deux supports de fixation de la garniture latérale aux bords de l'armoire avant gauche et droite, les supports allant jusqu'au sol (Fig. 9). Assurez-vous que les fentes rectangulaires dépassent le bord de l'armoire.

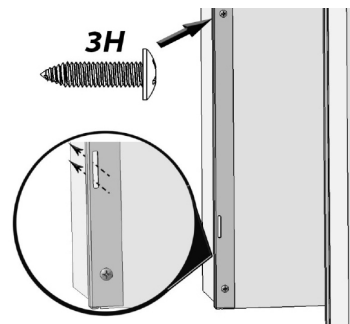


Fig. 8

Ajustement de l'accessoire de garniture latérale TRMKTEZIFL79 de Frigidaire

6. Selon la longueur des vis reçues (6H ou 7H), vissez une vis longue dans la partie inférieure gauche (Fig. 9A) de l'armoire murale avant, à proximité de l'endroit indiqué à la Fig. 9B.
7. Répétez l'étape 6 pour le côté droit de l'armoire à l'aide de l'autre vis 6H/7H.

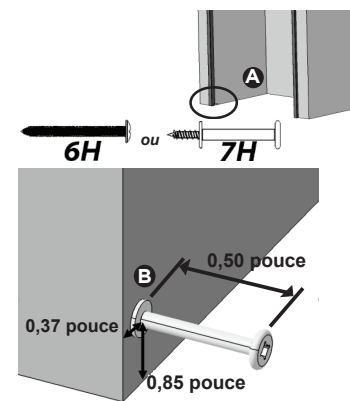


Fig. 9

9. a. Faites glisser l'appareil en place et assurez-vous que l'installation double est centrée.
- b. Percez des avant-trous de $\frac{1}{8}$ po et fixez deux vis 3H sur le côté droit de la garniture supérieure à l'aide d'un tournevis cruciforme dans les armoires (Fig. 13).
- c. Répétez pour le côté gauche.

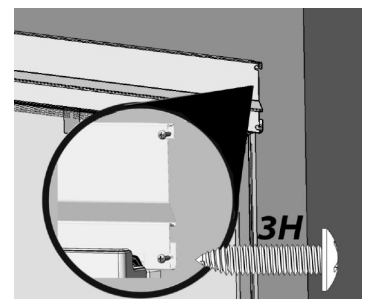


Fig. 13

Installation de la garniture latérale TRMKTEZ1FL79 de Frigidaire

10. a. Placez les garnitures latérales en les déposant sur la vis de placement comme illustré à la Fig. 9 et en les plaçant sur la garniture supérieure (Fig. 14).
- b. Fixez une vis 2H de chaque côté de la garniture supérieure (Fig. 14). **Serrez à la main seulement!**

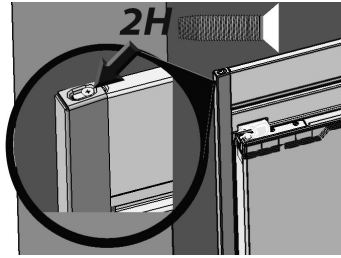


Fig. 14

Installation de la garniture latérale Electrolux TRMKTSSILV84

11. a. Faites glisser la garniture latérale gauche en place en guidant soigneusement les crochets de la garniture latérale dans les fentes de fixation de la garniture latérale. La Fig. 5 montre une vue intérieure.

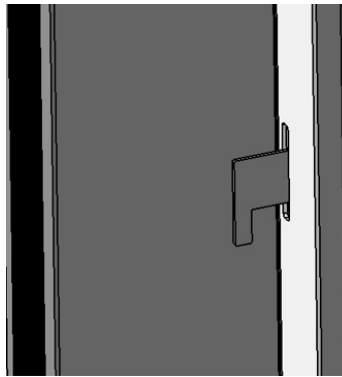


Fig. 15

- b. Fixez les vis 2H à la garniture supérieure (Fig. 16) et répétez pour le côté droit. **Serrez à la main seulement!**

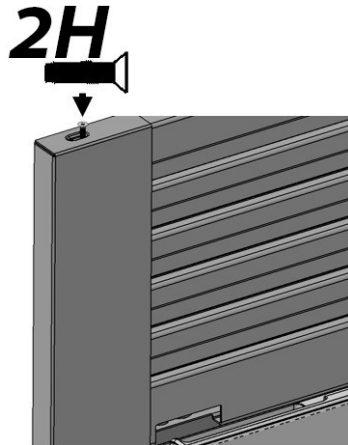


Fig. 16

12. a. Choisissez le coup de pied à placer sous l'appareil en fonction du côté de la charnière de porte (Fig. 17). Vous n'avez pas besoin de l'autre coup de pied.
- b. Placez soigneusement le coup de pied sur les 2 languettes de l'assemblage du niveleur. La première fente de l'assemblage de niveleur est encerclée à la Fig. 18 et la deuxième fente de l'ensemble niveleur est encerclée à la Fig. 19.
- c. Ajustez le coup de pied jusqu'à ce que les aimants soient engagés dans les boulons d'assemblage du niveleur et que le coup de pied repose verticalement en place.

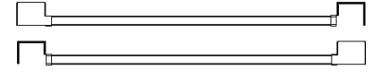


Fig. 17

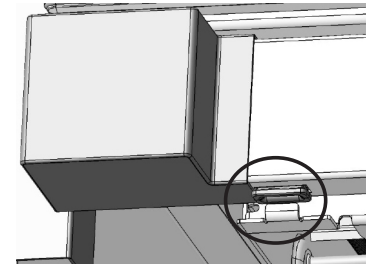


Fig. 18

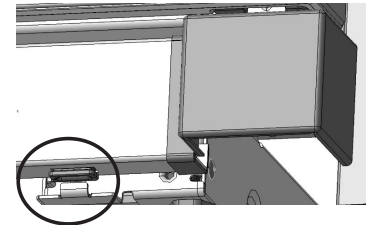


Fig. 19

Remarque : Reportez-vous à l'installation dans le manuel d'utilisation et d'entretien pour régler la hauteur de la porte si nécessaire.