



INSTALLATION INSTRUCTIONS
COMMERCIAL DRYER GAS OR ELECTRIC
INSTRUCTIONS D'INSTALLATION
SÈCHEUSE COMMERCIALE (GAZ ET ÉLECTRIQUE)
INSTRUCCIONES DE INSTALACIÓN
SECADORA COMERCIAL ELÉCTRICA O A GAS

CONTENTS

DRYER SAFETY2
TOOLS & PARTS5
DIMENSIONS/CLEARANCES6
LOCATION REQUIREMENTS7
GAS DRYER ELECTRICAL
REQUIREMENTS7
GAS REQUIREMENTS8
ELECTRIC DRYER ELECTRICAL
REQUIREMENTS - U.S.A. ONLY9
ELECTRIC DRYER ELECTRICAL
REQUIREMENTS - CANADA ONLY10
DRYER VENTING REQUIREMENTS11
INSTALLING LEVELING LEGS, AND COIN
BOX13
LEVELING14
GAS SUPPLY CONNECTION14
ELECTRIC DRYER ELECTRICAL
CONNECTIONS - U.S.A. ONLY16
COMPLETE INSTALLATION20
REVERSING DRYER DOOR SWING
(OPTIONAL)21
MAINTENANCE INSTRUCTIONS22
IF YOU NEED ASSISTANCE22
ELECTRONIC CONTROL SETUP
INSTRUCTIONS (NON-COIN/COIN
MODELS)22
GENERAL USER INFORMATION22
ACCESS TO USB PORT24

TABLE DES MATIÈRES

SÉCURITÉ DE LA SÈCHEUSE26
OUTILS ET PIÈCES29
DIMENSIONS/DISTANCES DE
DÉGAGEMENT30
EXIGENCES D'EMPLACEMENT31
SPÉCIFICATIONS ÉLECTRIQUES DE LA
SÈCHEUSE À GAZ31
EXIGENCES CONCERNANT
L'ALIMENTATION EN GAZ32
SPÉCIFICATIONS ÉLECTRIQUES DE
LA SÈCHEUSE ÉLECTRIQUE - É.-U.
SEULEMENT33
SPÉCIFICATIONS ÉLECTRIQUES DE LA
SÈCHEUSE ÉLECTRIQUE - CANADA
SEULEMENT34
EXIGENCES CONCERNANT L'ÉVACUATION
DE LA SÈCHEUSE35
INSTALLATION DES PIEDS DE
NIVELLEMENT ET DE LA BOÎTE À
MONNAIE37
MISE À NIVEAU38
RACCORDEMENT DE L'ALIMENTATION EN
GAZ39
RACCORDEMENTS ÉLECTRIQUES
DE LA SÈCHEUSE ÉLECTRIQUE -
É.-U. SEULEMENT40
FIN DE L'INSTALLATION45
INVERSION DU SENS D'OUVERTURE
DE LA PORTE DE LA SÈCHEUSE
(OPTIONNEL)45
INSTRUCTIONS D'ENTRETIEN46
EN CAS DE BESOIN D'ASSISTANCE46
INSTRUCTIONS DE CONFIGURATION
DES COMMANDES ÉLECTRONIQUES
(MODÈLES AVEC/SANS PIÈCE)47
INFORMATIONS GÉNÉRALES
D'UTILISATION47
ACCÈS AU PORT USB49

CONTENIDO

SEGURIDAD DE LA SECADORA51
HERRAMIENTAS Y PIEZAS54
DIMENSIONES Y ESPACIOS LIBRES55
REQUISITOS DE UBICACIÓN56
REQUISITOS ELÉCTRICOS
DE LA SECADORA A GAS56
REQUISITOS DE GAS57
REQUISITOS ELÉCTRICOS DE LA
SECADORA ELÉCTRICA (SOLO PARA
EE. UU.)58
REQUISITOS ELÉCTRICOS PARA LA
SECADORA ELÉCTRICA (SOLAMENTE EN
CANADÁ)59
REQUISITOS DE VENTILACIÓN DE LA
SECADORA60
INSTALACIÓN DE LAS PATAS
NIVELADORAS Y CAJA DE MONEDAS62
NIVELACIÓN63
CONEXIÓN DEL SUMINISTRO DE GAS64
CONEXIONES ELÉCTRICAS PARA LA
SECADORA ELÉCTRICA (SOLAMENTE EE.
UU.)65
INSTALACIÓN COMPLETA70
INVERSIÓN DEL SENTIDO DE APERTURA
DE LA PUERTA (OPCIONAL)70
INSTRUCCIONES DE MANTENIMIENTO...71
SI NECESITA ASISTENCIA71
INSTRUCCIONES DE PROGRAMACIÓN DEL
CONTROL ELECTRÓNICO (MODELOS SIN
MONEDA/CON MONEDA)72
INFORMACIÓN GENERAL PARA EL
USUARIO72
CÓMO ACCEDER AL PUERTO USB74

DRYER SAFETY

Your safety and the safety of others are very important.

We have provided many important safety messages in this manual and on your appliance. Always read and obey all safety messages.



This is the safety alert symbol.

This symbol alerts you to potential hazards that can kill or hurt you and others.

All safety messages will follow the safety alert symbol and either the word “DANGER” or “WARNING.”

These words mean:

⚠ DANGER

You can be killed or seriously injured if you don't immediately follow instructions.

⚠ WARNING

You can be killed or seriously injured if you don't follow instructions.

All safety messages will tell you what the potential hazard is, tell you how to reduce the chance of injury, and tell you what can happen if the instructions are not followed.



WARNING - “Risk of Fire”

- Clothes dryer installation must be performed by a qualified installer.
- Install the clothes dryer according to the manufacturer's instructions and local codes.
- Do not install a clothes dryer with flexible plastic venting materials or flexible metal (foil type) duct. If flexible metal duct is installed, it must be of a specific type identified by the appliance manufacturer as suitable for use with clothes dryers. Flexible venting materials are known to collapse, be easily crushed, and trap lint. These conditions will obstruct clothes dryer airflow and increase the risk of fire.
- To reduce the risk of severe injury or death, follow all installation instructions.
- Save these instructions.

- It is recommended that the owner post, in a prominent location, instructions for the customer's use in the event the customer smells gas. This information should be obtained from your gas supplier.
- Post the following warning in a prominent location.

FOR YOUR SAFETY

Do not store or use gasoline or other flammable vapors and liquids in the vicinity of this or any other appliance.

⚠ WARNING

Fire Hazard

Failure to follow safety warnings exactly could result in serious injury, death, or property damage.

Do not install a booster fan in the exhaust duct.

Install all clothes dryers in accordance with the installation instructions of the manufacturer of the dryer.

DRYER SAFETY



WARNING:

FIRE OR EXPLOSION HAZARD

Failure to follow safety warnings exactly could result in serious injury, death or property damage.

– Do not store or use gasoline or other flammable vapors and liquids in the vicinity of this or any other appliance.

– WHAT TO DO IF YOU SMELL GAS:

- Do not try to light any appliance.
- Do not touch any electrical switch; do not use any phone in your building.
- Clear the room, building, or area of all occupants.
- Immediately call your gas supplier from a neighbor's phone. Follow the gas supplier's instructions.
- If you cannot reach your gas supplier, call the fire department.

– Installation and service must be performed by a qualified installer, service agency, or the gas supplier.

WARNING: Gas leaks cannot always be detected by smell.

Gas suppliers recommend that you use a gas detector approved by UL or CSA.

For more information, contact your gas supplier.

If a gas leak is detected, follow the “What to do if you smell gas” instructions.

In the State of Massachusetts, the following installation instructions apply:

- Installations and repairs must be performed by a qualified or licensed contractor, plumber, or gas fitter qualified or licensed by the State of Massachusetts.
- Acceptable Shut-off Devices: Gas Cocks and Ball Valves installed for use shall be listed.
- A flexible gas connector, when used, must not exceed 4 feet (121.9 cm).

IMPORTANT: The gas installation must conform with local codes, or in the absence of local codes, with the National Fuel Gas Code, ANSI Z223.1/NFPA 54, or the Natural Gas and Propane Installation Code, CSA B149.1.

The dryer must be electrically grounded in accordance with local codes, or in the absence of local codes, with the National Electrical Code, ANSI/NFPA 70, or the Canadian Electrical Code, Part 1, CSA C22.1.

IMPORTANT SAFETY INSTRUCTIONS

When discarding or storing your old clothes dryer, remove the door.

SAVE THESE INSTRUCTIONS

DRYER SAFETY

IMPORTANT SAFETY INSTRUCTIONS

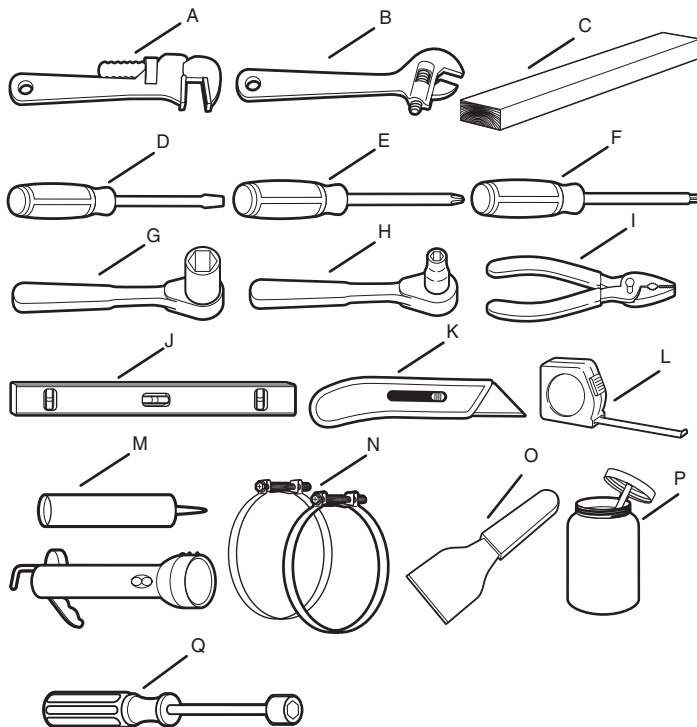
WARNING: To reduce the risk of fire, electric shock, or injury to persons when using the dryer, follow basic precautions, including the following:

- Read all instructions before using the dryer.
- This dryer is intended only for drying clothes and textiles that have been washed in water. Do not use for any other purpose.
- **WARNING:** If you smell gas, do not use the dryer or any electrical equipment nearby. Warn other people to clear the area. Contact the dryer owner immediately.
- Do not place items exposed to cooking oils in your dryer. Items contaminated with cooking oils may contribute to a chemical reaction that could cause a load to catch fire. To reduce the risk of fire due to contaminated loads, the final part of a tumble dryer cycle occurs without heat (cool down period). Avoid stopping a tumble dryer before the end of the drying cycle unless all items are quickly removed and spread out so that the heat is dissipated.
- Do not dry articles that have been previously cleaned in, washed in, soaked in, or spotted with gasoline, dry-cleaning solvents, other flammable, or explosive substances as they give off vapors that could ignite or explode.
- Do not dry unwashed items in the dryer.
- Risk of Suffocation and Injury from Entrapment: Do not allow children to play on or in the appliance. Close supervision of children is necessary when the appliance is used near children.
- Before the dryer is removed from service or discarded, remove the door to the dryer compartment.
- Do not reach into the dryer if the drum is moving.
- Do not open door while dryer is in operation. It will stop.
- Do not install or store the dryer where it will be exposed to the weather.
- Do not use replacement parts that have not been recommended by the manufacturer (e.g. parts made at home using a 3D printer).
- Do not tamper with controls.
- Clean dryer lint screen before or after each load.
- Do not use this dryer without the lint screen in place.
- Do not repair or replace any part of the dryer or attempt any servicing unless specifically recommended in this Installation Instructions or in published user-repair instructions that you understand and have the skills to carry out.
- Do not use fabric softeners or products to eliminate static unless recommended by the manufacturer of the fabric softener or product.
- Do not use heat to dry articles containing foam rubber or similarly textured rubber-like materials.
- The final part of a tumble dryer cycle occurs without heat (cool-down cycle) to ensure that the articles are left at a temperature that ensures that the items will not be damaged.
- **WARNING:** Never stop a tumble dryer before the end of the drying cycle unless all items are quickly removed and spread out so that the heat is dissipated. (Avoids risk of spontaneous combustion).
- Keep area around the exhaust opening and adjacent surrounding areas free from the accumulation of lint, dust, and dirt.
- The interior of the dryer and dryer exhaust vent should be cleaned periodically by qualified service personnel.
- See “Electrical Requirements” section for grounding instructions.
- **WARNING: Risk of Fire.** Do not install a booster fan in the exhaust duct.
NOTE: The booster fan warning does not apply to clothes dryers intended to be installed in a multiple clothes dryer system, with an engineered exhaust duct system that is installed per the clothes dryer manufacturer's guidelines.

SAVE THESE INSTRUCTIONS

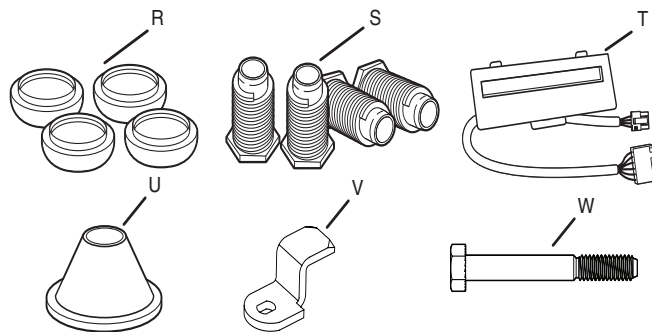
TOOLS AND PARTS

Tools Needed:



- A. 8" (200 mm) or 10" (250 mm) Pipe wrench
- B. 8" (200 mm) or 10" (250 mm) adjustable wrench that opens to 1" (25 mm) wrench
- C. 27" (686 mm) Wood block
- D. Flat-blade screwdriver
- E. Phillips screwdriver
- F. TORX T20[†] security screwdriver or bit
- G. 1" (25 mm) Hex-head socket wrench
- H. 5/16" (8 mm) Socket wrench
- I. Pliers (that open to 1⁹/₁₆" [39.7 mm])
- J. Level
- K. Utility knife
- L. Ruler or measuring tape
- M. Caulk gun and caulk (for installing new exhaust vent)
- N. Vent clamps
- O. Putty knife
- P. Pipe-joint compound suitable for gas type
- Q. 1/4" (6 mm) Nut driver

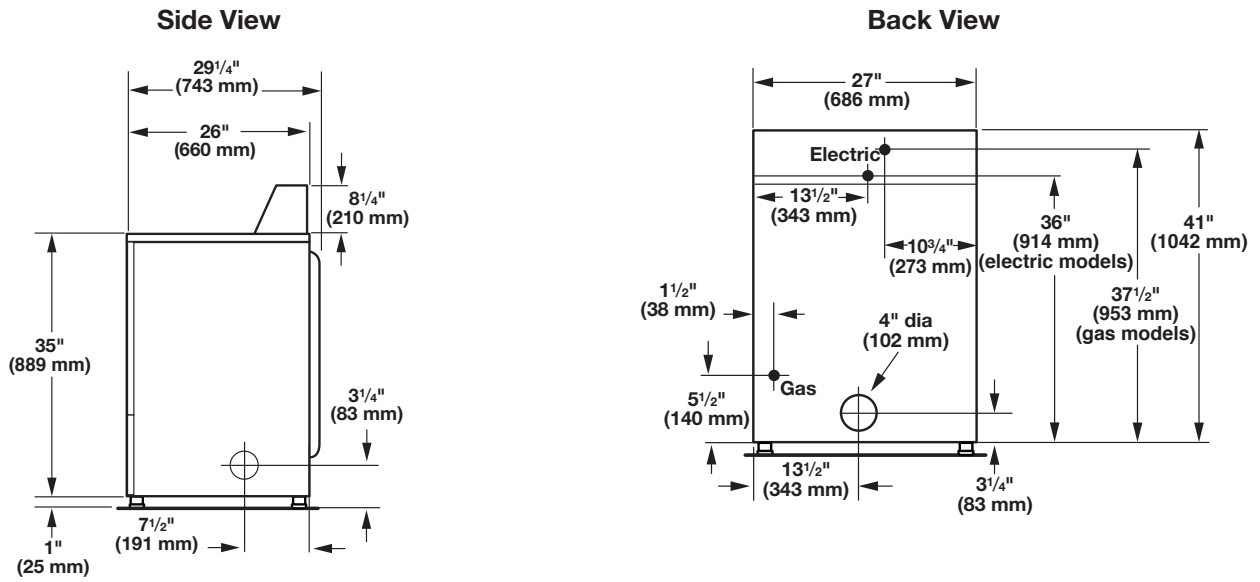
Parts Supplied:



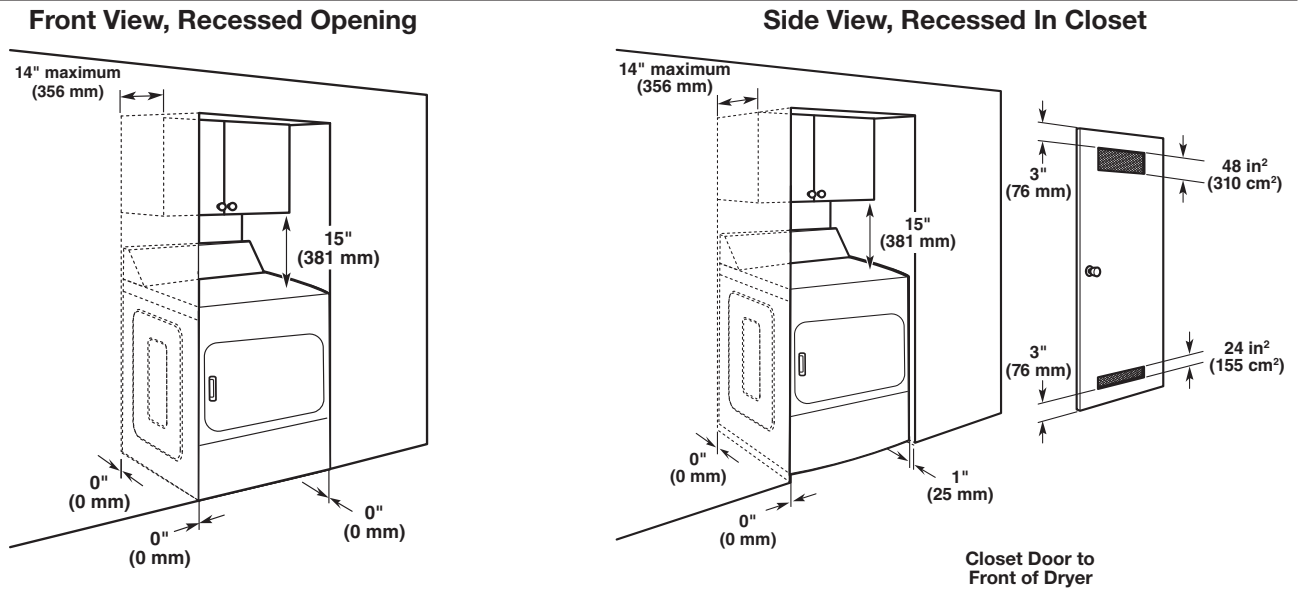
- R. Foot Boots (4)
- S. Leveling Legs (4)
- T. Bezel kit (Non-Coin models only)
- U. Security cone (Coin models only)
- V. Lock cam (on some models)
- W. 5/16" hex-head 18 x 2 1/2" security bolt (Coin models only)

DIMENSIONS/CLEARANCES

Dimensions



Clearances



LOCATION REQUIREMENTS

⚠ WARNING



Explosion Hazard

Keep flammable materials and vapors, such as gasoline, away from dryer.

Do not dry anything that has ever had anything flammable on it (even after washing).

Place dryer at least 18 inches (460 mm) above the floor for a garage installation.

Failure to do so can result in death, explosion, or fire.

Your dryer can be installed in a basement, laundry room, or recessed area.

This dryer is not intended for installation in a mobile home. An adapter kit per this install instruction is required for this dryer to be used for a Manufactured/Mobile home.

Companion appliance location requirements should also be considered.

IMPORTANT: Do not install or store the dryer where it will be exposed to water and/or the weather. Proper installation is your responsibility.

You will need:

- A grounded electrical outlet located within 6 ft (1.8 m) of where the power cord is attached to the back of the dryer. See "Electrical Requirements."
- A level floor with a maximum slope of 1" (25 mm) under entire dryer. Installing the dryer on soft floor surfaces, such as carpets or surfaces with foam backing, is not recommended.

Dryer installation clearances

- The location must be large enough to allow the dryer door to be fully opened.
- Additional spacing should be considered for ease of installation and servicing. The door opens more than 180°.
- Additional clearances might be required for wall, door, and floor moldings.
- Additional spacing of 1" (25 mm) on all sides of the dryer is recommended to reduce noise transfer.
- The back of the dryer shall be installed against a wall. Refer to the minimum installation dimensions/clearances in the diagrams.

When installing a gas dryer:

IMPORTANT: Observe all governing codes and ordinances.

- Check code requirements: Some codes limit or do not permit installation of clothes dryers in garages, closets, or sleeping quarters. Contact your local building inspector.
- Make sure that lower edges of the cabinet, plus the back and bottom sides of the dryer, are free of obstructions to permit adequate clearance of air openings for combustion air. See "Recessed Area and Closet Installation Instructions" below for minimum spacing requirements.

Recessed Area and Closet Installation Instructions

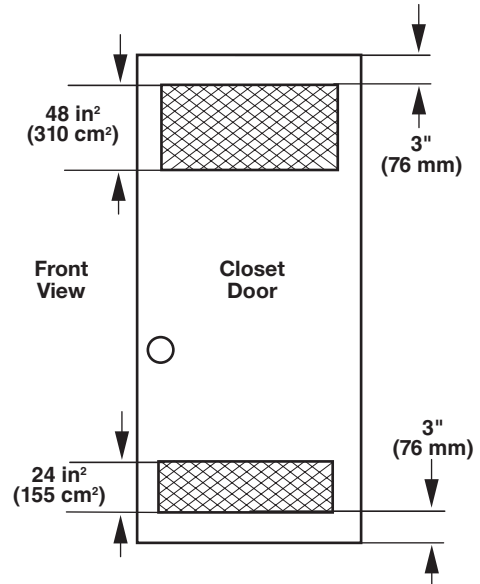
This dryer may be installed in a recessed area or closet. For recessed area and closet installations, minimum clearances can be found on the warning label on the rear of the dryer or in "Dimensions/Clearances."

The installation spacing is in inches and is the minimum allowable. Additional spacing should be considered for ease of installation, servicing, and compliance with local codes and ordinances.

If closet door is installed, the minimum unobstructed air opening in the top and bottom of the door shall be as depicted in below diagram. Louvered door with equivalent air openings are acceptable.

The dryer must be exhausted outdoors.

No other fuel-burning appliance may be installed in the same closet as the dryer.



GAS DRYER ELECTRICAL REQUIREMENTS

⚠ WARNING



Electrical Shock Hazard

Plug into a grounded 3 or 4 prong outlet.

Do not remove ground prong.

Do not use an adapter.

Do not use an extension cord.

Failure to follow these instructions can result in death, fire, or electrical shock.

IMPORTANT: The dryer must be electrically grounded in accordance with local codes and ordinances or, in the absence of local codes, with the National Electrical Code, ANSI/NFPA 70, latest edition, or Canadian Electrical Code, CSA C22.1. If codes permit and a separate ground wire is used, it is recommended that a qualified electrical installer determine that the ground path is adequate.

A copy of the above code standards can be obtained from:

National Fire Protection Association
One Batterymarch Park, Quincy, MA 02269

CSA International
8501 East Pleasant Valley Road
Cleveland, Ohio 44131-5575

- Do not ground to a gas pipe.
- Do not have a fuse in the neutral or ground circuit.
- A 120 V, 60 Hz AC only, 15 A, fused electrical circuit is required. A time-delay fuse or circuit breaker is also recommended. It is recommended that a separate circuit serving only this dryer be provided.
- This dryer is equipped with a power supply cord having a 3-prong grounding plug.
- To minimize the possibility of shock, the cord must be plugged into a mating, 3 prong, grounding-type outlet, grounded in accordance with local codes and ordinances. If a mating outlet is not available, it is the personal responsibility and obligation of the customer to have the properly grounded outlet installed by a qualified electrician.
- If codes permit and a separate ground wire is used, it is recommended that a qualified electrician determine that the ground path is adequate.
- Check with a qualified electrician if you are not sure the dryer is properly grounded.

Gas Dryer Grounding

GROUNDING INSTRUCTIONS

- For a grounded, cord-connected dryer:
This dryer must be grounded. In the event of malfunction or breakdown, grounding will reduce the risk of electric shock by providing a path of least resistance for electric current. This dryer is equipped with a cord having an equipment-grounding conductor and a grounding plug. The plug must be plugged into an appropriate outlet that is properly installed and grounded in accordance with all local codes and ordinances.

WARNING: Improper connection of the equipment-grounding conductor can result in a risk of electric shock. Check with a qualified electrician or service representative or personnel if you are in doubt as to whether the dryer is properly grounded. Do not modify the plug provided with the dryer: if it will not fit the outlet, have a proper outlet installed by a qualified electrician.

SAVE THESE INSTRUCTIONS

GAS REQUIREMENTS

Gas Supply

⚠ WARNING



Explosion Hazard

Use a new CSA International approved gas supply line.

Install a shut-off valve.

Securely tighten all gas connections.

If connected to propane, have a qualified person make sure gas pressure does not exceed 13" (33 cm) water column.

Examples of a qualified person include:

**licensed heating personnel,
authorized gas company personnel, and
authorized service personnel.**

Failure to do so can result in death, explosion, or fire.

IMPORTANT: Observe all governing codes and ordinances.

This installation must conform with all local codes and ordinances. In the absence of local codes, installation must conform with American National Standard, National Fuel Gas Code ANSI Z223.1/NFPA 54 or CAN/CSA B149.

A copy of the above code standards can be obtained from:

National Fire Protection Association
One Batterymarch Park, Quincy, MA 02269

CSA International
8501 East Pleasant Valley Road
Cleveland, Ohio 44131-5575

The design of this dryer has been certified by CSA International for use at altitudes up to 10,000 ft (3,048 m) above sea level at the B.T.U. rating indicated on the model/serial plate. Burner input adjustments are not required when the dryer is operated up to this elevation.

When installed above 10,000 ft (3,048 m), a four percent (4%) reduction of the burner B.T.U. rating shown on the model/serial plate is required for each 1,000 ft (305 m) increase in elevation. For assistance when converting to other gas types and/or installing above 10,000 ft (3,048 m) elevation, contact your local service company.

ELECTRIC DRYER ELECTRICAL REQUIREMENTS - U.S.A. ONLY

It is your responsibility:

- To contact a qualified electrical installer.
- To be sure that the electrical connection is adequate and in conformance with the National Electrical Code, ANSI/NFPA 70-latest edition and all local codes and ordinances.
- The National Electrical Code requires a 4-wire power supply connection for homes built after 1996, dryer circuits involved in remodeling after 1996, and all mobile home installations.
- A copy of the above code standards can be obtained from: National Fire Protection Association, One Batterymarch Park, Quincy, MA 02269.
- To supply the required 3 or 4 wire, single phase, 120/240 V, 60 Hz AC only electrical supply (or 3 or 4 wire, 120/208 V electrical supply, if specified on the serial/rating plate) on a separate 30 A circuit, fused on both sides of the line. A time delay fuse or circuit breaker is recommended. Connect to an individual branch circuit.
- Do not have a fuse in the neutral or grounding circuit.
- Do not use an extension cord.
- If codes permit and a separate ground wire is used, it is recommended that a qualified electrician determine that the ground path is adequate.

Electrical Connection

To properly install your dryer, you must determine the type of electrical connection you will be using and follow the instructions provided for it here.

- This dryer is manufactured ready to install with a 3-wire electrical supply connection. The neutral ground conductor is permanently connected to the neutral conductor (white wire) within the dryer. If the dryer is installed with a 4-wire electrical supply connection, the neutral ground conductor must be removed from the external ground connector (green screw), and secured under the neutral terminal (center or white wire) of the terminal block. When the neutral ground conductor is secured under the neutral terminal (center or white wire) of the terminal block, the dryer cabinet is isolated from the neutral conductor.
- If local codes do not permit the connection of a neutral ground wire to the neutral wire, see "Optional 3-wire connection" section.
- A 4-wire power supply connection must be used when the appliance is installed in a location where grounding through the neutral conductor is prohibited. Grounding through the neutral is prohibited for (1) new branch-circuit installations and (2) areas where local codes prohibit grounding through the neutral conductor.

Electric Dryer Grounding

GROUNDING INSTRUCTIONS

- For a grounded, cord-connected dryer:
This dryer must be grounded. In the event of malfunction or breakdown, grounding will reduce the risk of electric shock by providing a path of least resistance for electric current. This dryer uses a cord having an equipment-grounding conductor and a grounding plug. The plug must be plugged into an appropriate outlet that is properly installed and grounded in accordance with all local codes and ordinances.
- For a permanently connected dryer:
This dryer must be connected to a grounded metal, permanent wiring system, or an equipment-grounding conductor must be run with the circuit conductors and connected to the equipment-grounding terminal or lead on the dryer.

WARNING: Improper connection of the equipment-grounding conductor can result in a risk of electric shock. Check with a qualified electrician or service representative or personnel if you are in doubt as to whether the dryer is properly grounded. Do not modify the plug on the power supply cord: if it will not fit the outlet, have a proper outlet installed by a qualified electrician.

SAVE THESE INSTRUCTIONS

Electric Dryer Power Supply Cord

WARNING



Fire Hazard

- Use a new UL listed 30 amp power supply cord.**
- Use a UL listed strain relief.**
- Disconnect power before making electrical connections.**
- Connect neutral wire (white or center wire) to center terminal (silver).**
- Ground wire (green or bare wire) must be connected to green ground connector.**
- Connect remaining 2 supply wires to remaining 2 terminals (gold).**
- Securely tighten all electrical connections.**
- Failure to do so can result in death, fire, or electrical shock.**

If using a power supply cord:

Use a UL listed power supply cord kit marked for use with clothes dryers. The kit should contain:

- A UL listed 30 A power supply cord, rated 120/240 V minimum. The cord should be type SRD or SRDT and be at least 4 ft (1.22 m) long. The wires that connect to the dryer must end in ring terminals or “U” shaped spade terminals with upturned ends.
- A UL listed strain relief.

If your outlet looks like this:



4-Wire Receptacle (14-30R)

Then choose a 4-wire power supply cord with ring or spade terminals and UL listed strain relief. The 4-wire power supply cord, at least 4 ft (1.22 m) long, must have four 10-gauge copper wires and match a 4-wire receptacle of NEMA Type 14-30R. The ground wire (ground conductor) may be either green or bare. The neutral conductor must be identified by a white cover.

If your outlet looks like this:



3-Wire Receptacle (10-30R)

Then choose a 3-wire power supply cord with ring or spade terminals and UL listed strain relief. The 3-wire power supply cord, at least 4 ft (1.22 m) long, must have three 10-gauge copper wires and match a 3-wire receptacle of NEMA Type 10-30R.

Direct Wire

⚠ WARNING



Fire Hazard

- Use 10 gauge copper wire.
- Use a UL listed strain relief.
- Disconnect power before making electrical connections.
- Connect neutral wire (white or center wire) to center terminal.
- Ground wire (green or bare wire) must be connected to green ground connector.
- Connect remaining 2 supply wires to remaining 2 terminals (gold).
- Securely tighten all electrical connections.
- Failure to do so can result in death, fire, or electrical shock.

If connecting by direct wire:

Power supply cable must match power supply (4-wire or 3-wire) and be:

- Flexible armored cable or nonmetallic sheathed copper cable (with ground wire), covered with flexible metallic conduit. All current-carrying wires must be insulated.
- 10-gauge solid copper wire (do not use aluminum).
- At least 5 ft (1.52 m) long.

ELECTRIC DRYER ELECTRICAL REQUIREMENTS - CANADA ONLY

⚠ WARNING



Electrical Shock Hazard

Plug into a grounded 4 prong outlet.

Failure to do so can result in death or electrical shock.

Electrical Requirements – Canada only

It is your responsibility:

- To contact a qualified electrical installer.
- To be sure that the electrical connection is adequate and in conformance with the Canadian Electrical Code, C22.1 – latest edition and all local codes. A copy of the above codes standard may be obtained from: Canadian Standards Association, 178 Rexdale Blvd., Toronto, ON M9W 1R3 CANADA.
- To supply the required 4 wire, single phase, 120/240 V, 60 Hz AC only electrical supply on a separate 30 A circuit, fused on both sides of the line. A time-delay fuse or circuit breaker is recommended. Connect to an individual branch circuit.
- This dryer is equipped with a CSA International Certified Power Cord intended to be plugged into a standard 14-30R wall receptacle. The cord is 5 ft (1.52 m) in length. Be sure wall receptacle is within reach of dryer's final location.
- Do not use an extension cord.



4-Wire Receptacle (14-30R)

If you are using a replacement power supply cord, it is recommended that you use Power Supply Cord Replacement, reference parts list or www.whirlpool.com. For further information, please reference the service numbers located in the “Assistance or Service” section.

GROUNDING INSTRUCTIONS

- For a grounded, cord-connected dryer: This dryer must be grounded. In the event of malfunction or breakdown, grounding will reduce the risk of electric shock by providing a path of least resistance for electric current. This dryer is equipped with a cord having an equipment-grounding conductor and a grounding plug. The plug must be plugged into an appropriate outlet that is properly installed and grounded in accordance with all local codes and ordinances.

WARNING: Improper connection of the equipment-grounding conductor can result in a risk of electric shock. Check with a qualified electrician or service representative or personnel if you are in doubt as to whether the dryer is properly grounded. Do not modify the plug provided with the dryer: if it will not fit the outlet, have a proper outlet installed by a qualified electrician.

SAVE THESE INSTRUCTIONS

DRYER VENTING REQUIREMENTS

⚠ WARNING



Fire Hazard

Use a heavy metal vent.

Do not use a plastic vent.

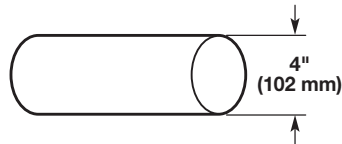
Do not use a metal foil vent.

Failure to follow these instructions can result in death or fire.

WARNING: To reduce the risk of fire, this dryer MUST BE EXHAUSTED OUTDOORS.

IMPORTANT: Observe all governing codes and ordinances.

Dryer exhaust must not be connected into any gas vent, chimney, wall, ceiling, attic, crawlspace, or a concealed space of a building. Only rigid or flexible metal vent shall be used for exhausting.



4" (102 mm) Heavy, Metal Exhaust Vent

- Only a 4" (102 mm) heavy, metal exhaust vent and clamps may be used.
- Do not use plastic or metal foil vent.

Rigid metal vent:

- Recommended for best drying performance and to avoid crushing and kinking.

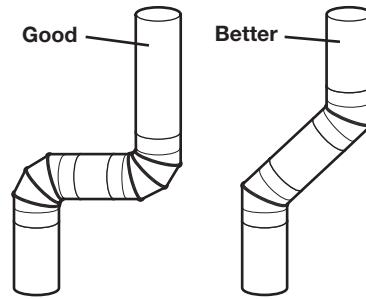
Flexible metal vent: (Acceptable only if it is accessible to clean)

- Must be fully extended and supported in final dryer location.
- Remove excess to avoid sagging and kinking that may result in reduced airflow and poor performance.
- Do not install in enclosed walls, ceilings, or floors.
- The total length should not exceed 7¼ ft (2.4 m).

NOTE: If using an existing vent system, clean lint from entire length of the system and make sure exhaust hood is not plugged with lint. Replace plastic or metal foil vents with rigid metal or flexible metal vents. Review "Vent System Chart" and if necessary, modify existing vent system to achieve best drying performance.

Elbows:

- 45° elbows provide better airflow than 90° elbows.



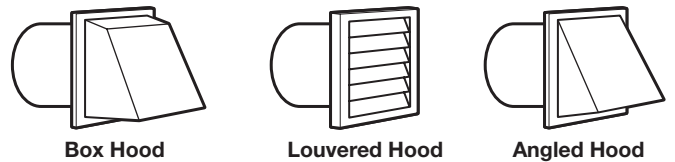
Clamps:

- Use clamps to seal all joints.
- Exhaust vent must not be connected or secured with screws or other fastening devices that extend into interior of duct and catch lint. Do not use duct tape.

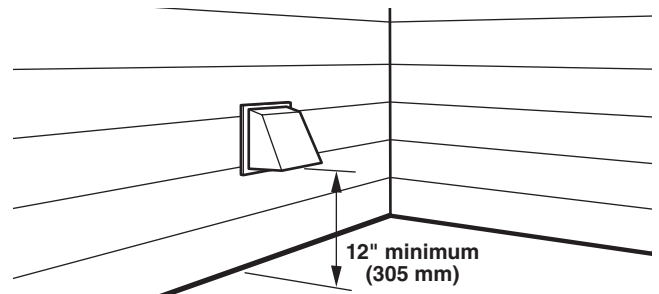


Vent Hoods

4" (102 mm) Diameter Exhaust Hoods



Exhaust hood must be at least 12" (305 mm) from the ground or any object that may be in the path of the exhaust (such as flowers, rocks, bushes, or snow).



Vent System Length

Maximum Vent Length/Vent Connection

Maximum length of vent system depends upon the type of vent used, number of elbows, and type of exhaust hood.

Vent System Chart (Rigid Metal Vent)		
No. of 90° Turns	Box and Louvered Hood	Angled Hood
0	64 ft (19.5 m)	58 ft (17.7 m)
1	54 ft (16.5 m)	48 ft (14.6 m)
2	44 ft (13.4 m)	38 ft (11.6 m)
3	35 ft (10.7 m)	29 ft (8.8 m)
4	27 ft (8.2 m)	21 ft (6.4 m)

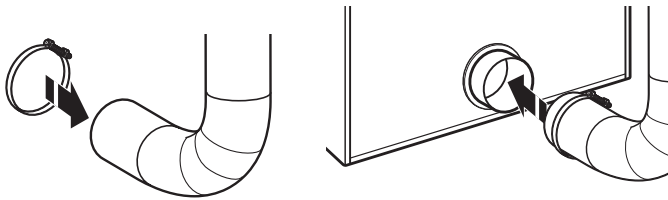
For vent systems not covered by the vent specification chart, see your parts distributor.

Provision must be made for enough air for combustion and ventilation. (Check governing codes and ordinances.) See "Recessed Area and Closet Installation Instructions" in the "Location Requirements" sections.

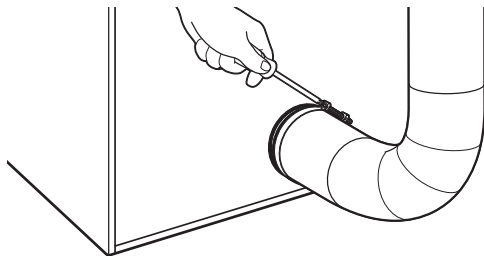
A 4" (102 mm) outlet hood is preferred. However, a 2½" (64 mm) outlet exhaust hood may be used. A 2½" (64 mm) outlet creates greater back pressure than other hood types. For permanent installation, a stationary vent system is required.

Connect Vent

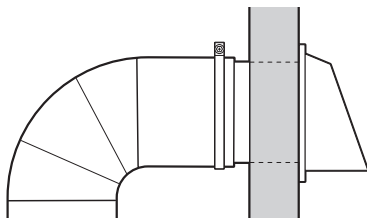
1. If connecting to existing vent, make sure the vent is clean.
2. Using a 4" (102 mm) clamp, connect vent to exhaust outlet in dryer.



3. Tighten hose clamp with Phillips screwdriver.



4. Make sure the vent is secured to exhaust hood with a 4" (102 mm) clamp.

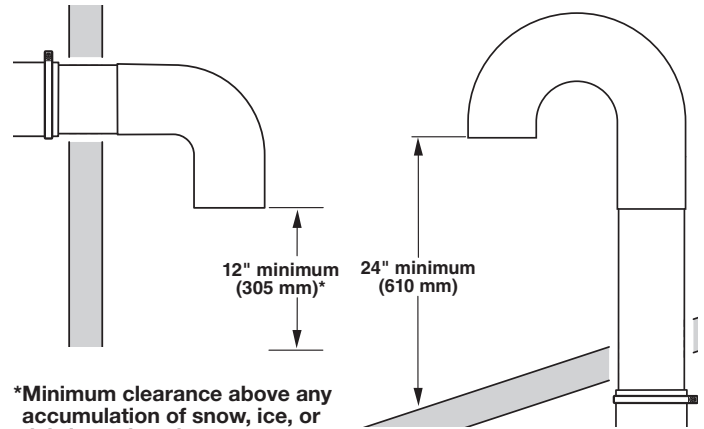


5. Move dryer into final position. Do not crush or kink vent. Make sure dryer is level.

NOTE: Testing for proper ventilation should be done with a Manometer. Minimum: 0.01" (0.2 mm). Maximum: 0.6" (16 mm).

If an Exhaust Hood Cannot be Used

The outside end of main vent should have a sweep elbow directed downward.



*Minimum clearance above any accumulation of snow, ice, or debris such as leaves

If main vent travels vertically through the roof, rather than through wall, install a 180° sweep elbow on end of vent at least 2 ft (610 mm) above surface of roof.

The opening in wall or roof shall have a diameter 1/2" (13 mm) larger than vent diameter. Vent should be centered in opening. Do not install screening over end of vent for best performance.

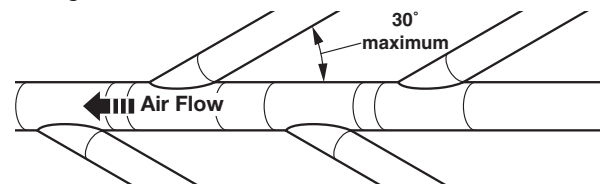
Multiple Dryer Venting

A main vent can be used for venting a group of dryers. The main vent should be sized to remove 5,663 L/min (200 CFM) of air per dryer. Large-capacity lint screens of proper design may be used in main vent if checked and cleaned frequently. The room where the dryers are located should have make-up air (air supply) equal to or greater than CFM of all the dryers in the room.

Back-draft dampers are available from your distributor and should be installed in the vent of each dryer to keep exhausted air from returning into dryers and to keep exhaust in balance within main vent. Unobstructed return air openings are required.

Each single-load dryer should have an unobstructed outdoor air opening of 24 in² (154 cm²) (based on 1 in² [6.5 cm²] per 1,000 B.T.U. [252 kcal]), common make-up air openings are also acceptable. Set up common openings so the make-up air is distributed equally to all of the dryers. Keep in mind that the coverage area must be increased by 33 % to account for the use of registers or louvers over the openings. Also, make-up air openings should not be installed near the location where exhaust vents exit the building.

Each vent should enter the main vent at an angle pointing in the direction of the airflow. Vents entering from the opposite side should be staggered to reduce the exhausted air from interfering with the other vents.



The maximum angle of each vent entering the main vent should not be more than 30°.

Keep air openings free of dry cleaning fluid fumes. Fumes create acids which, when drawn through the dryer heating units, can damage dryers and items being dried.

A clean-out cover should be located on the main vent for periodic cleaning of the vent system.

NOTE: For more dryer venting information, please refer to Whirlpool document W10100920.

INSTALLING LEVELING LEGS, AND COIN BOX

⚠ WARNING

Excessive Weight Hazard

Use two or more people to move and install dryer.
Failure to do so can result in back or other injury.

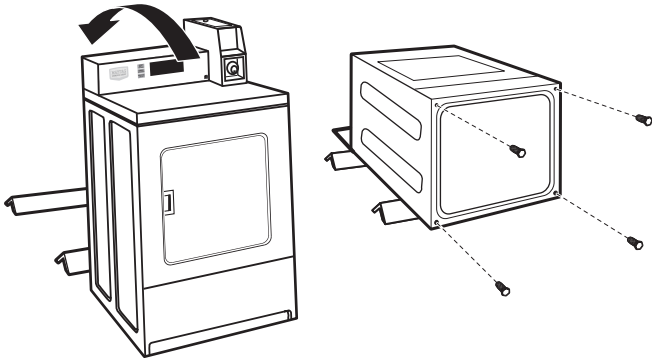
1. Prepare dryer for leveling legs

NOTE: Slide dryer onto cardboard or hardboard before moving to avoid damaging floor covering.

Using two or more people, move dryer to desired installation location.

Take the tape off from front corners of dryer. Open dryer and remove the literature and parts packages. Wipe drum interior with a damp cloth to remove any dust.

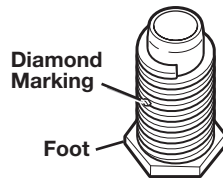
Take two cardboard corners from the dryer carton and place them on the floor in back of the dryer. Firmly grasp the body of the dryer and gently lay it on its back on the cardboard corners. Disconnect power before making electrical connections.



(appearance may vary)

2. Screw in leveling legs

Examine leveling legs and find diamond marking. Screw legs into leg holes by hand. Use an adjustable wrench or 1" (25 mm) hex-head socket wrench to finish turning legs until diamond marking is no longer visible. Then fit a covered foot boot over each leg foot.



To protect the floor, use a large piece of cardboard from the dryer carton. Stand dryer up on the cardboard. Slide the dryer until it is close to its final location. Leave enough room for electrical connection and to connect the exhaust vent.

A longer leveling foot is available if needed on extremely sloped floors, Part Number 279810.

3. Install added security device

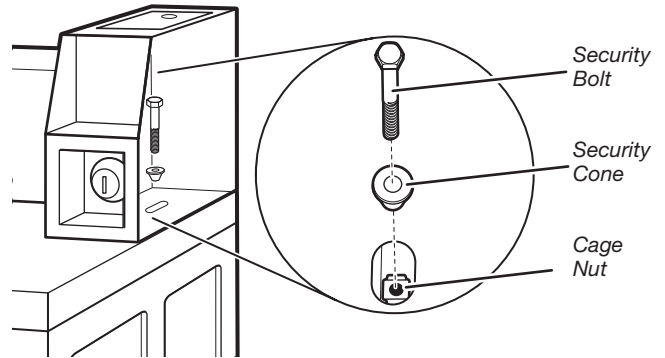
Check that power is not supplied to the dryer.

Open and remove the service door.

Insert the narrow part of the security cone into the oblong hole in the bottom rear of the meter case assembly.

Pass the security bolt through this cone and thread it by hand into the cage nut below the oblong hole.

Tighten the security bolt by hand a few turns before using a wrench to tighten until snug.



NOTE: Installing the security bolt provides added security, but will add to the service time when the top needs to be removed or lifted for servicing the dryer.

LEVELING

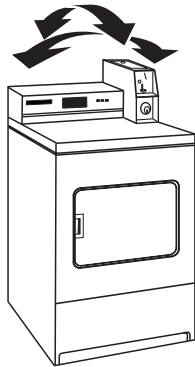
Leveling your dryer properly reduces excess noise and vibration.

⚠ WARNING

Excessive Weight Hazard

**Use two or more people to move and install dryer.
Failure to do so can result in back or other injury.**

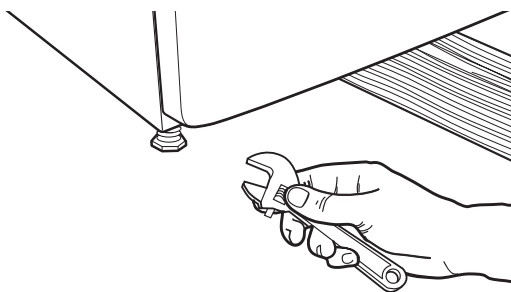
1. Remove cardboard from beneath dryer. Place a level on top edges of dryer, checking each side and front. If not level, tip dryer and adjust legs up or down as shown in Step 3, repeating as necessary.
2. Grip dryer from top and rock back and forth, making sure all four legs are firmly on floor. Repeat, rocking dryer from side to side. If dryer rocks, go to Step 3 and adjust leveling legs.



(appearance may vary)

3. If dryer is not level, use a 1" or 25 mm open-end or adjustable wrench to turn the leveling leg counterclockwise to lower the dryer or clockwise to raise the dryer. Recheck levelness of dryer and that all four legs are firmly in contact with the floor. Repeat as needed.

HELPFUL TIP: You may want to prop up front of dryer about 4" (102 mm) with a wood block or similar object that will support weight of dryer.



GAS SUPPLY CONNECTION

Make Gas Connection

⚠ WARNING



Explosion Hazard

Use a new CSA International approved gas supply line.

Install a shut-off valve.

Securely tighten all gas connections.

If connected to propane, have a qualified person make sure gas pressure does not exceed 13" (33 cm) water column.

Examples of a qualified person include:

**licensed heating personnel,
authorized gas company personnel, and
authorized service personnel.**

Failure to do so can result in death, explosion, or fire.

1. Remove red cap from dryer gas supply line.
2. Connect gas supply to dryer. Use a pipe thread compound approved for the type of gas supplied. If flexible metal tubing is used, be certain there are no kinks.

If necessary for service, depending on model:

Open the toe panel by removing the 2 1/4" hex-head screws from the bottom of the panel. Then lift up on the panel while pulling the bottom of the panel away from the dryer.

OR

Open the toe panel. Use a putty knife to press on the toe panel lock located at the center top of the toe panel. Pull downward on the toe panel to open. Toe panel is hinged at the bottom.

3. Open the shut-off valve in the gas supply line and make sure the dryer has its own gas supply opened.
4. Test all connections by brushing on an approved noncorrosive leak-detection solution. Bubbles will show a leak. Correct any leaks found.

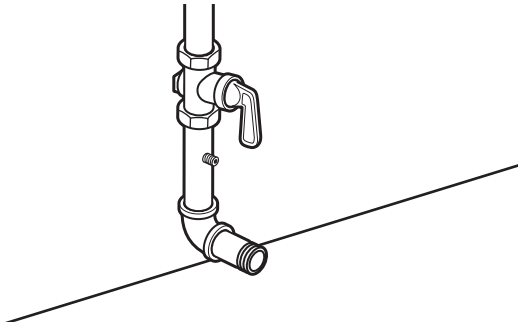
Type of Gas

This dryer is equipped for use with natural gas. It is design-certified by CSA International for propane and butane gases with appropriate conversion. No attempt shall be made to convert dryer from gas specified on serial/rating plate for use with a different gas without consulting the serving gas supplier. Conversion must be done by a qualified service technician. Refer to parts list or www.whirlpool.com for gas conversion kit part numbers.

Gas Supply Line

Recommended Method

Provide a gas supply line of 1/2" (13 mm) rigid (IPS) pipe to dryer location. Pipe joint compounds that resist action of propane gas must be used. Do not use TEFLON^{®†} tape. With propane gas, piping or tubing size can be 1/2" (13 mm) minimum. Usually, propane gas suppliers determine size and materials used in the system.



Gas Supply Pressure Testing

A 1/8" (3 mm) NPT minimum plugged tapping, accessible for gauge testing, must be installed immediately downstream of the installed shut-off valve to the dryer (as shown above). The dryer must be disconnected from the gas supply piping system during any pressure testing of the system at test pressures in excess of 1/2" psig (352 kg/m²). The expected pressures for the gas supply are listed in inches of water in the table below:

	Natural Gas	Propane Gas
Minimum	5.2" (132.1 mm)	8.0" (203.2 mm)
Maximum	10.5" (266.7 mm)	13.0" (330.2 mm)

Alternate Method

The gas supply may also be connected using 3/8" (10 mm) approved copper or aluminum tubing. If the total length of the supply line is more than 20 ft (6.1 m), larger tubing will be required.

If using natural gas, do not use copper tubing. Pipe joint compounds that resist action of type of gas supplied must be used.

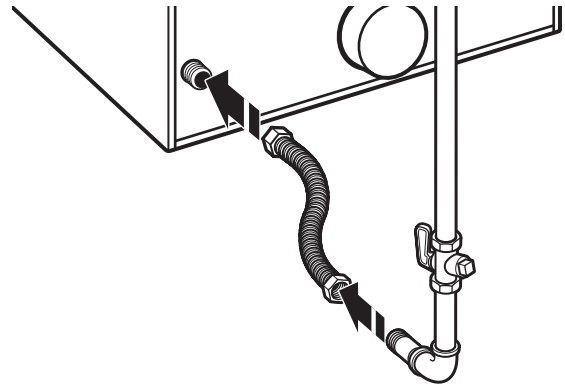
Shut-off valve required

The supply line must be equipped with a manual shut-off valve installed within 6 ft (1.8 m) of dryer in accordance with National Fuel Gas Code, ANSI Z223.1. This valve should be located in same room as dryer. It should be in a location that allows ease of opening and closing. Do not block access to shut-off valve. In Canada, an individual manual shut-off valve must be installed in accordance with the B149 installation codes CAN/CGA B149.1 and CAN/CGA B149.2.

Flexible Metal Appliance Connector

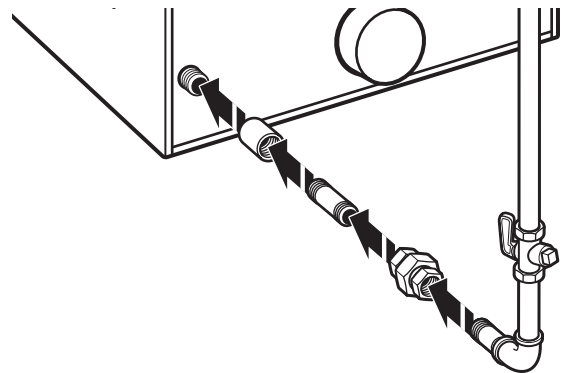
It is recommended that a new flexible stainless steel gas line, design-certified by CSA International, be used for connecting the dryer to the gas supply line. (The gas pipe which extends through the lower rear of the dryer is provided with 3/8" (10 mm) male pipe thread.)

NOTE: Do not kink or damage the flexible stainless steel gas line when moving the dryer.



Rigid Pipe Connection

The rigid pipe connection requires a combination of pipe fittings to obtain an in-line connection to the dryer.



†[®]TEFLON is a registered trademark of Chemours.

ELECTRIC DRYER ELECTRICAL CONNECTIONS - U.S.A ONLY

Power Supply Cord Connection

⚠ WARNING



Fire Hazard

Use a new UL listed 30 amp power supply cord.

Use a UL listed strain relief.

Disconnect power before making electrical connections.

Connect neutral wire (white or center wire) to center terminal (silver).

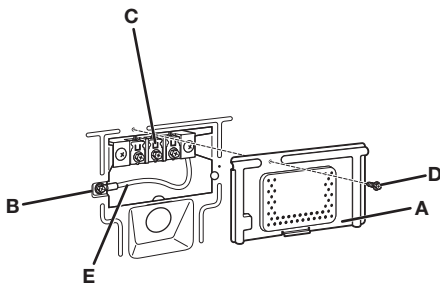
Ground wire (green or bare wire) must be connected to green ground connector.

Connect remaining 2 supply wires to remaining 2 terminals (gold).

Securely tighten all electrical connections.

Failure to do so can result in death, fire, or electrical shock.

Remove Terminal Block Cover

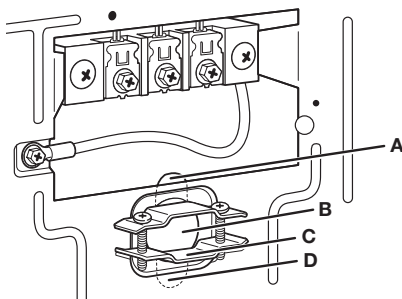


Before you start, disconnect power. Remove hold-down screw (D) and terminal block cover (A).

- A. Terminal block cover C. Center terminal block screw
 B. External ground conductor screw D. Hold-down screw
 E. Neutral ground wire

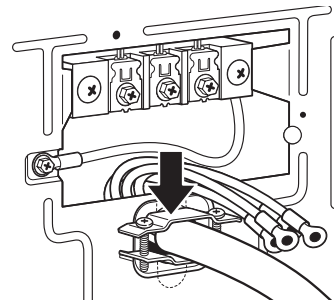
Power Supply Cord Strain Relief

1. Insert strain relief.



Remove the screws from a 3/4" (19 mm) UL listed strain relief (UL marking on strain relief). Put the tabs of the two clamp sections (C) into the hole below the terminal block opening (B) so that one tab is pointing up (A) and the other is pointing down (D), and hold in place. Tighten strain relief screws just enough to hold the two clamp sections (C) together.

2. Insert power cord into strain relief.



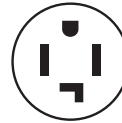
Put power supply cord through the strain relief. Be sure that the wire insulation on the power supply cord is inside the strain relief. The strain relief should have a tight fit with the dryer cabinet and be in a horizontal position. Do not further tighten strain relief screws at this point.

Connection Options

Power Cord

4-wire receptacle (NEMA Type 14-30R)

Go to "Power Supply Cord Connection" section.



3-wire receptacle (NEMA Type 10-30R)

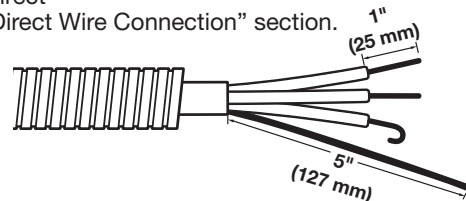
Go to "Power Supply Cord Connection" section.



Direct Wire

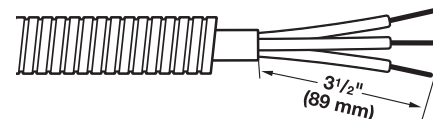
4-wire direct

Go to "Direct Wire Connection" section.



3-wire direct

Go to "Direct Wire Connection" section.



NOTE: If local codes do not permit connection of a cabinet-ground conductor to neutral wire, go to "Connecting 3-Wire Connection: Optional" section. This connection may be used with either a power supply cord or a direct wire connection.

Connecting 4-Wire Connection: Power Supply Cord

IMPORTANT: A 4-wire connection is required where local codes do not permit the use of 3-wire connections.

Standard Power Supply Cord Connectors



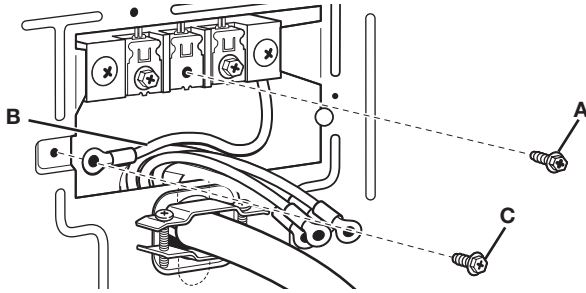
Flanged spade connector



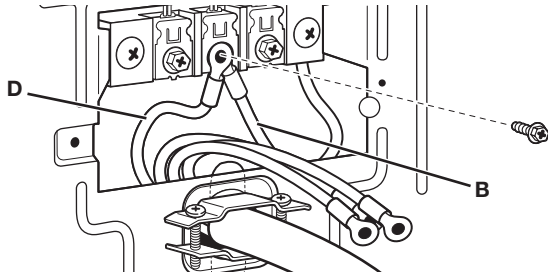
Ring Connector

Connecting Ground and Neutral Wires

1. Remove center terminal block screw (A) and neutral ground wire (B) by removing the external ground connector screw (C).

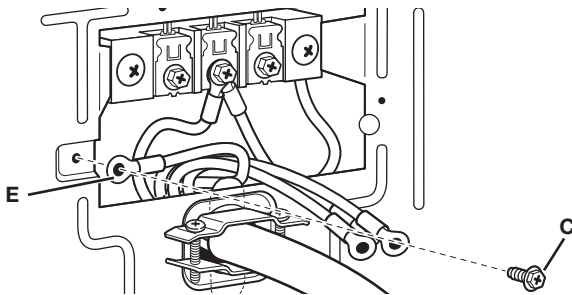


2. Connect neutral ground (B) and neutral wire (white or center) (D) to center terminal block. Tighten screw.



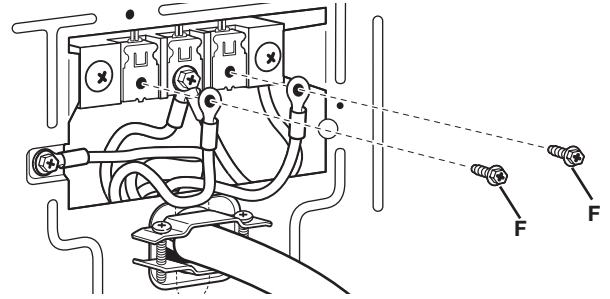
Connecting Power Cord Ground Wire

3. Connect ground wire (green or bare) (E) with external ground connector screw (C). Tighten screw.



Connecting Remaining Wires

4. Connect remaining wires with outer terminal block screws (F). Tighten strain relief screws against power cord. Finally, re-install terminal block cover and tighten hold-down screw. Go to "Complete Installation" section.



Connecting 3-Wire Connection: Power Supply Cord

Standard Power Supply Cord Connectors



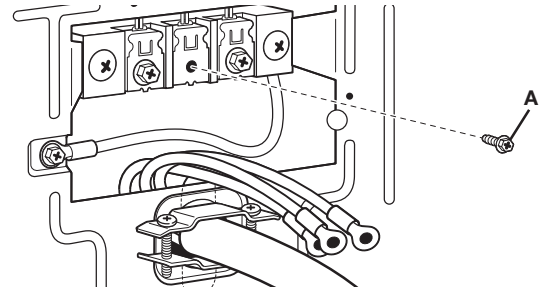
Flanged spade connector



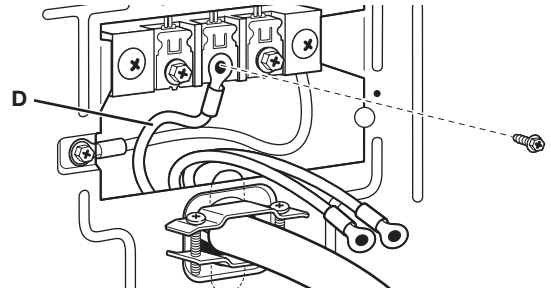
Ring Connector

Connecting Neutral Wire

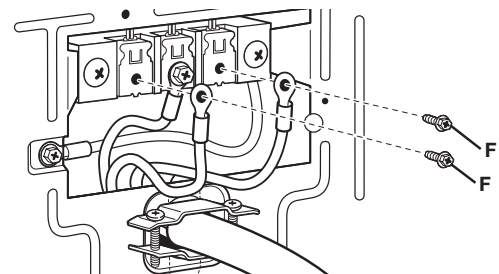
1. Loosen or remove center terminal block screw (A).



2. Connect white neutral wire (white or center) (D) to center terminal block. Tighten screw.



3. Connect remaining wires with outer terminal block screws (F). Tighten strain relief screws against power cord. Finally, re-install terminal block cover and tighten hold-down screw. Go to "Complete Installation" section.



Direct Wire Connection

⚠ WARNING



Fire Hazard

Use 10 gauge copper wire.

Use a UL listed strain relief.

Disconnect power before making electrical connections.

Connect neutral wire (white or center wire) to center terminal (silver).

Ground wire (green or bare wire) must be connected to green ground connector.

Connect remaining 2 supply wires to remaining 2 terminals (gold).

Securely tighten all electrical connections.

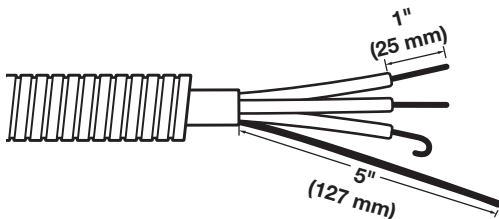
Failure to do so can result in death, fire, or electrical shock.

Connection Options

Direct Wire

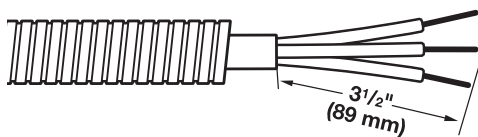
4-wire direct

Go to "Connecting 4-Wire Connection: Direct Wire" section.



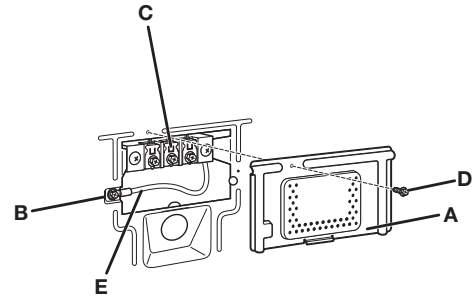
3-wire direct

Go to "Connecting 3-Wire Connection: Direct Wire" section.



NOTE: If local codes do not permit connection of a cabinet-ground conductor to neutral wire, go to "Connecting 3-Wire Connection: Optional" section. This connection may be used with either a power supply cord or a direct wire connection.

Remove Terminal Block Cover

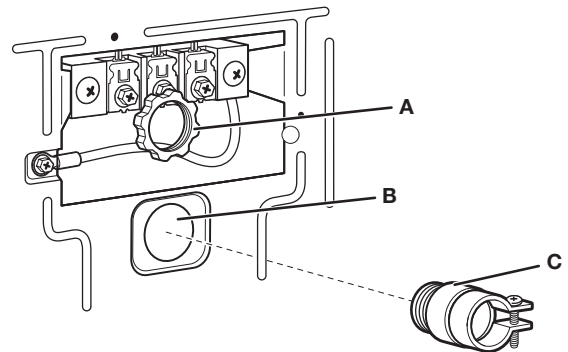


Before you start, disconnect power. Remove hold-down screw (D) and terminal block cover (A).

- A. Terminal block cover
- B. External ground conductor screw
- C. Center terminal block screw
- D. Hold-down screw
- E. Neutral ground wire

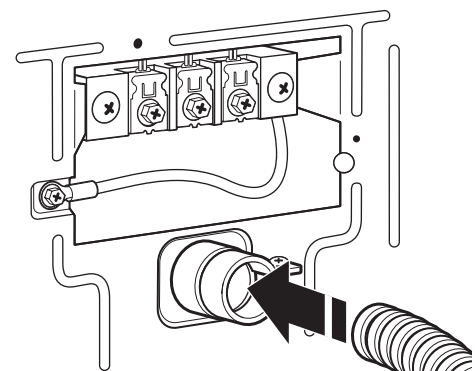
Direct Wire Strain Relief

1. Insert strain relief.



Unscrew the removable conduit connector (A) and any screws from a 3/4" (19 mm) UL listed strain relief (UL marking on strain relief). Put the threaded section of the strain relief (C) through the hole below the terminal block opening (B). Reaching inside the terminal block opening, screw the removable conduit connector (A) onto the strain relief threads.

2. Insert conduit into strain relief and tighten clamp.



Put direct wire cable through the strain relief. The strain relief should have a tight fit with the dryer cabinet and be in a horizontal position. Tighten strain relief screw against the direct wire cable.

Connecting 4-Wire Connection: Direct Wire

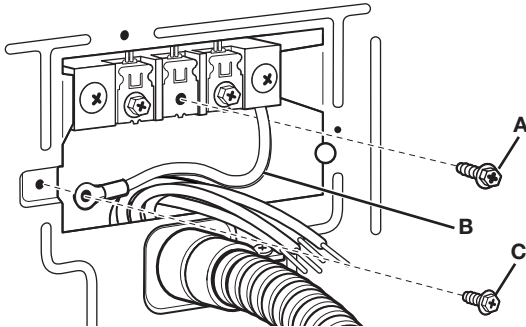
IMPORTANT: A 4-wire connection is required where local codes do not permit the use of 3-wire connections.

Direct wire cable must have 5 ft (1.52 m) of extra length so dryer can be moved if needed.

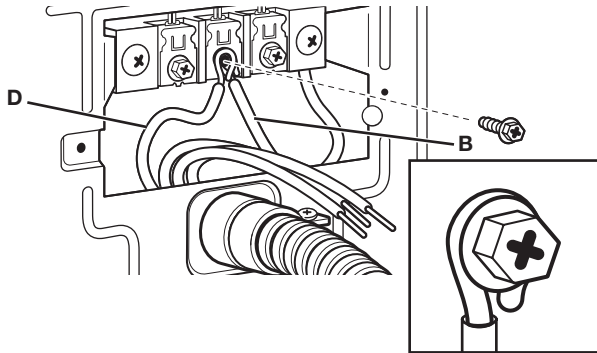
Strip 5" (127 mm) of outer covering from end of cable, leaving bare ground wire at 5" (127 mm). Cut 1½" (38 mm) from three remaining wires. Strip insulation back 1" (25 mm). Shape ends of wires into a hook shape.

Connecting Neutral Ground and Neutral Wires

1. Remove center terminal block screw (A) and neutral ground wire (B) by removing the external ground connector screw (C).

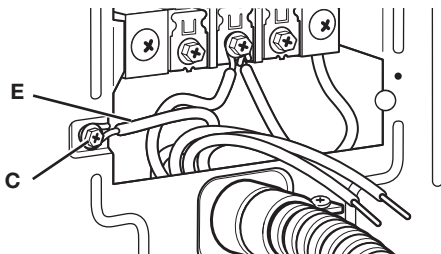


2. Connect neutral ground (B) and place hooked end (hook facing right) of neutral wire (white or center wire) cable (D) under center terminal block screw (B). Squeeze hooked end together. Tighten screw.



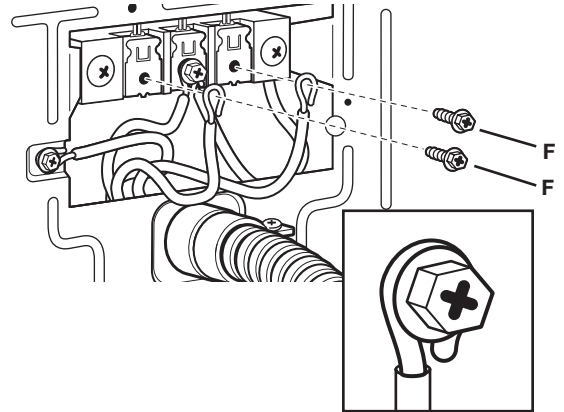
Connecting Direct Wire Ground

3. Connect ground wire (green or bare) (E) with external ground connector screw (C). Tighten screw.



Connecting Remaining Wires

4. Place hooked ends of remaining direct wire cables (hooks facing right). Squeeze hooded ends together and tighten outer terminal block screws (F). Finally, re-install terminal block cover and tighten hold-down screw. Tighten screws. Go to "Complete Installation" section.



Connecting 3-Wire Connection: Direct Wire

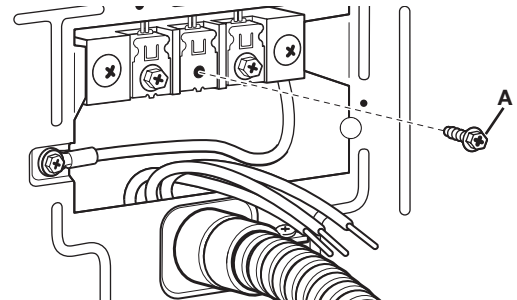
Use where local codes permit connecting cabinet-ground conductor to neutral wire.

Direct wire cable must have 5 ft (1.52 m) of extra length so dryer can be moved if needed.

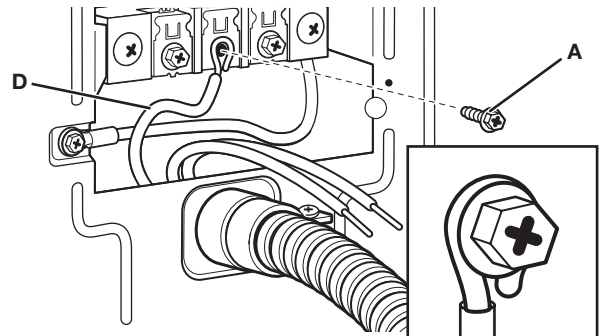
Strip 3½" (89 mm) of outer covering from end of cable. Strip insulation back 1" (25 mm). If using 3-wire cable with ground wire, cut bare wire even with outer covering. Shape ends of wires into a hook shape.

Connecting Neutral Wire

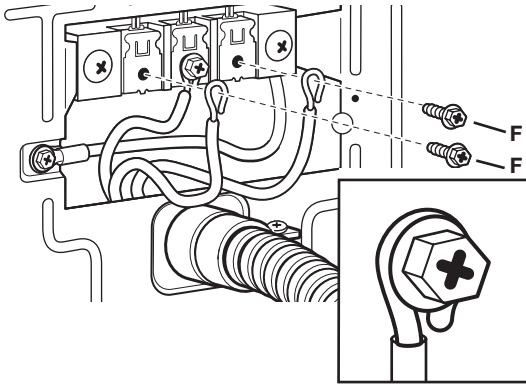
1. Loosen or remove center terminal block screw (A).



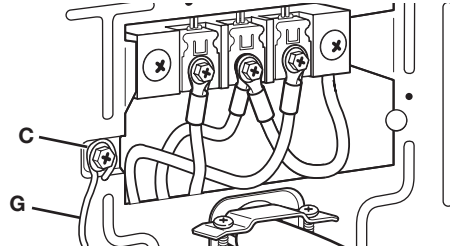
2. Place hooked end (hook facing right) of neutral wire (white or center wire) (D) cable under center terminal block screw (A). Squeeze hooked end together. Tighten screw.



- Place hooked ends of remaining direct wire cables (hooks facing right). Squeeze hooded ends together and tighten outer terminal block screws (F). Finally, re-install terminal block cover and tighten hold-down screw. Tighten screws. Go to "Complete Installation" section.



- Connect a separate copper ground wire (G) under the external ground conductor to screw (C) an adequate ground. Finally, re-install terminal block cover and tighten hold-down screw. Go to "Complete Installation" section.

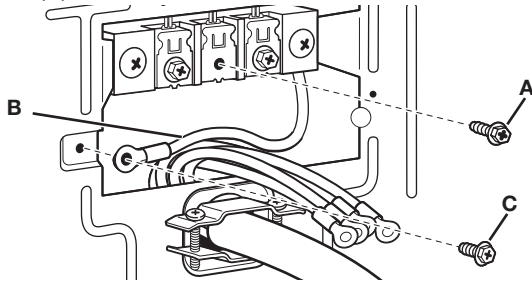


Connecting 3-Wire Connection: Optional

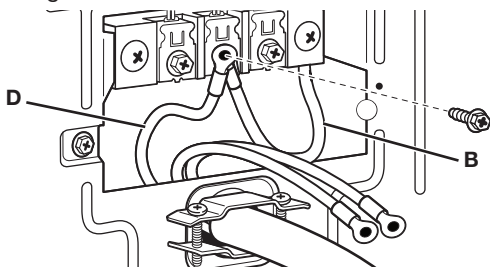
Use for direct wire or power supply cord where local codes do not permit connecting cabinet-ground conductor to neutral wire.

Connecting Neutral Wire

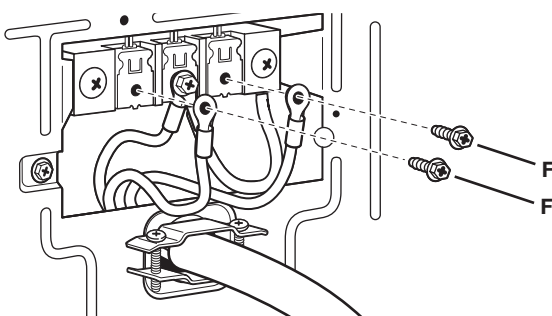
- Remove center terminal block screw (A). Also, remove neutral ground wire (B) by removing external ground conductor screw (C).



- Connect neutral ground wire (B) and neutral wire (white or center) (D) of power supply cord/cable under center terminal block. Tighten screw.



- Connect remaining wires under outer terminal block. Tighten screws (F).



COMPLETE INSTALLATION

- Check the electrical requirements. Be sure that you have the correct electrical supply and the recommended grounding method. See "Electrical Requirements."
- Check that all parts are now installed. If there is an extra part, go back through the steps.
- Check that you have all of your tools.
- Dispose of/recycle all packaging materials.

⚠ WARNING



Electrical Shock Hazard

Plug into a grounded 3 or 4 prong outlet.

Do not remove ground prong.

Do not use an adapter.

Do not use an extension cord.

Failure to follow these instructions can result in death, fire, or electrical shock.

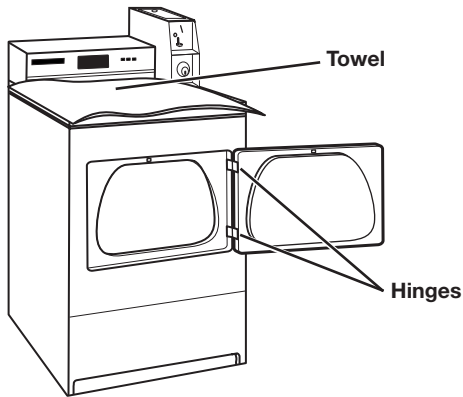
- Plug into a grounded outlet, or connect power.
- Check dryer operation: Close dryer door. Set the cycle. Operating time will accumulate per number of coins.
NOTE: Dryer door must be closed for dryer to operate. When door is open, dryer stops, but timer continues to run. To restart dryer, close door and push START button.
- Open the dryer door. Check that the inside of the dryer is warm. If the burner does not ignite and you can feel no heat inside the dryer, shut off dryer for 5 minutes. Check that all supply valve controls are in "ON" position and that the electrical cord is plugged in. Repeat 5 minute test.
- If drying time is too long, make sure that the lint screen is clean and that there are no obstructions to airflow in the dryer vent system.
- Restart the dryer and allow it to complete a full heat cycle (not air cycle) to make sure it is working properly.

REVERSING DRYER DOOR SWING (OPTIONAL)

You can change your door swing from a right-side opening to left-side opening, if desired.

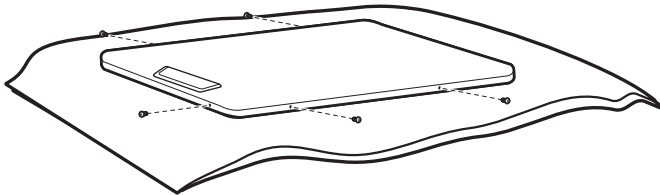
Remove the Door Assembly

1. Place a towel or soft cloth on top of dryer or workspace to avoid scratching of the surface.
2. Open dryer door. Remove bottom screws from cabinet side of hinges. Loosen (do not remove) top screws from cabinet side of hinges.

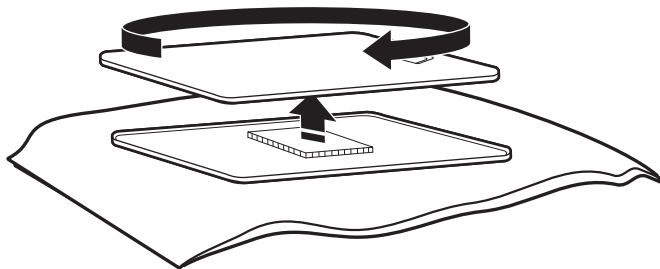


(appearance may vary)

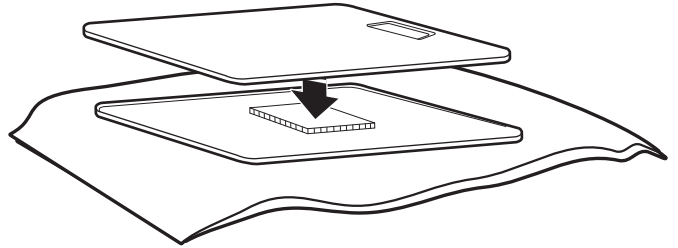
3. Lift door until top screws in cabinet are in large part of hinge slot. Pull forward off screws. Set door (handle side up) on top of dryer. Remove top screws from cabinet.
4. Remove screws attaching hinges to door.
5. Remove screws at top, bottom, and side of door (5 screws).



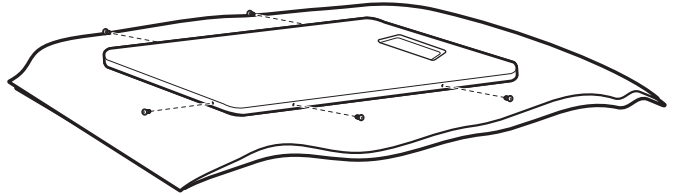
6. Holding door over towel on dryer, grasp sides of outer door and gently lift to separate it from inner door. Do not use a putty knife to pry apart. Do not pull on door seal or plastic door catch.



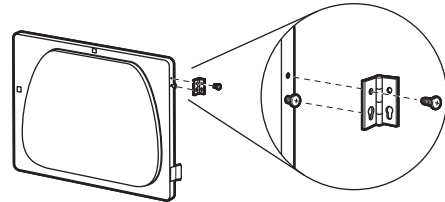
7. Be certain to keep cardboard spacer centered between doors. Reattach outer door panel to inner door panel so handle is on the side where hinges were just removed.



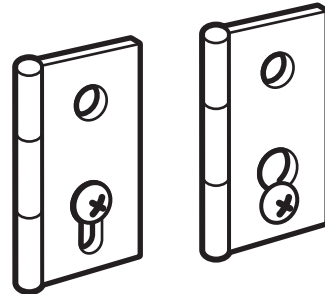
8. Reattach screws at top, bottom, and side of door (5 screws).



9. Attach door hinges to dryer door so that larger hole is at the bottom of the hinge and the hinge pin is toward the door front.



10. Remove the 4 screws that attach 2 plugs on the left side. Attach plugs to right side using the same 4 screws.
11. Insert screws into bottom holes on left side of cabinet. Tighten screws halfway. Position door so large end of door hinge slot is over screws. Slide door up so screws are in bottom of slots. Tighten screws. Insert and tighten top screws in hinges.



12. Close door and check that door strike aligns with door catch. If needed, slide door catch left or right within slot to adjust alignment.

MAINTENANCE INSTRUCTIONS

- Clean lint screen before and after each cycle.
- Removing accumulated lint:

From inside the dryer cabinet:

Lint should be removed every 2 years or more often, depending on dryer usage. Cleaning should be done by a qualified person.

From the exhaust vent:

Lint should be removed every 2 years, or more often, depending on dryer usage.

- Keep area around dryer clear and free from combustible materials, gasoline, and other flammable vapors and liquids.
- Keep dryer area clear and free from items that would obstruct the flow of combustion and ventilation air.

If dryer does not operate, check the following:

- Electrical supply is connected.
- Circuit breaker is not tripped or house fuse is not blown.
- Door is closed.
- Controls are set in a running or “on” position.
- START button has been pushed firmly.
- For gas dryers, check that gas supply shut-off valves are set in open position.

IF YOU NEED ASSISTANCE

Contact your authorized Commercial Laundry distributor. To locate your authorized Commercial Laundry distributor, or for web inquiries, visit www.whirlpoolcommerciallaundry.com.

If you cannot locate your distributor, the Commercial Laundry Support Center will answer any questions about operating or maintaining your dryer not covered in the Installation Instructions.

Just dial **1-800 NO BELTS (1-866-698-2538)** — the call is toll free.

When you call, you will need the dryer model number and serial number. Both numbers can be found on the serial-rating plate located in the dryer door opening.

ELECTRONIC CONTROL SETUP INSTRUCTIONS (NON-COIN/COIN MODELS)

IMPORTANT

Electrostatic Discharge (ESD) Sensitive Electronics

ESD problems are present everywhere. ESD may damage or weaken the electronic control assembly. The new control assembly may appear to work well after repair is finished, but failure may occur at a later date due to ESD stress.

- Use an anti-static wrist strap. Connect wrist strap to green ground connection point or unpainted metal in the appliance.

-OR-

Touch your finger repeatedly to a green ground connection point or unpainted metal in the appliance.

- Before removing the part from its package, touch the anti-static bag to a green ground connection point or unpainted metal in the appliance.
- Avoid touching electronic parts or terminal contacts; handle electronic control assembly by edges only.
- When repackaging failed electronic control assembly in anti-static bag, observe above instructions.

GENERAL USER INFORMATION

BLANK DISPLAY – This condition indicates the dryer is inoperative. Enter set-up mode to view diagnostic code.

“0 MINUTES” SHOWING IN DISPLAY –

This indicates the previous cycle is complete or a machine reset was performed. Opening the door(s) will restore the display to the Vend Price or Available state.

Factory Default Settings – Dryer is programmed at the factory as follows:

5 minutes dry time/quarter (coin 1)

\$1.50 dry price (fixed cycle with top off – Coin Models)

\$0.00 dry price (fixed cycle – Non-Coin Models)

WARM START (after power failure) – A few seconds after power is restored, if a cycle was in progress at the time of the power failure, "RESELECT CYCLE" will flash in the display, indicating a button needs to be pressed to restart dryer.

There are four (4) types of dryer pricing:

Fixed “Vend” Pricing

A dryer set up for “Fixed Cycle” operation can only accept additional time accumulated by increments equal to the length of a complete dry cycle. A maximum of 75 minutes may be purchased; no additional credit is given for coins dropped with 75 minutes in the display.

Accumulator Pricing

If the price is set to one coin 1, then accumulator pricing is in effect. Cycle time can be purchased one coin at a time (Coin models) up to the maximum time of 75 minutes.

Fixed Cycle With Top Off Pricing

A dryer set to offer “Top Off” capability will allow time to be added to an existing dry cycle in increments equal to the number of minutes of dry time per coins or debit input, up to 75 minutes, regardless of the cost required to start the dryer. No credit is given for coins or debit inputs entered when the control is displaying 75 minutes.

In Enhanced Debit Mode, the top off price can be set independently (see VALUE OF COIN 2), and the top off time is calculated according to the following equation:

$$\frac{\text{top off time}}{\text{full cycle length}} = \frac{\text{top off price}}{\text{full cycle price}}$$

Penny increment offset is not applied to top off purchases.

FREE CYCLES – This is established by setting the cycle price to zero. When this happens, “SELECT CYCLE” will appear rather than a cycle price. Any cycle started as a free cycle will automatically terminate when the door is opened.

DEBIT CARD READY – This dryer is debit card ready. It will accept a variety of debit card systems, but does NOT come with a debit card reader. Refer to the debit card reader manufacturer for proper dryer setup. In models converted to a Generation 1 debit card system, debit pulses represent the equivalent of one coin (coin 1).

Display

After the dryer has been installed and plugged in, the display will show “0 minutes.”

Single Load Models CYCLES



Once the unit has been plugged in and the dryer door opened and closed, the display will show the price. In Non-Coin models set for free cycles, the display will flash “SELECT CYCLE” (not shown).

Single Load Models CYCLES



Control Set-up Procedures

IMPORTANT: Read all instructions before operating.

The fabric setting buttons along with the digital display are used to set up the dryer controls. The display can contain 4 numbers and/or letters and a decimal point. These are used to indicate the set-up codes and related code values available for use in programming the appliance.

How to Use the Buttons to Program the Controls

1. The HEAVY DUTY button is used to adjust the values associated with set-up code. Pressing the button will change the value by increments. Rapid adjustment is possible by holding down the button.
2. The NORMAL button will advance through the set-up codes. Pressing the button will advance to the next available set-up code. Holding down the NORMAL button will automatically advance through the set-up codes at a rate faster than 1 per second.
3. The DELICATES button is used to select or deselect options.

Start Operating Set-up

- Single Load Coin Models: Insert service door key, turn, and lift to remove service door.
- Single Load Non-Coin Models: Once the debit card reader is installed (according to the reader manufacturer’s instructions), the set-up mode can be entered by inserting a manual set-up card (supplied by the reader manufacturer) into the card slot. If manual set-up card is not available, manual set-up mode can be entered by removing connector J4 on the circuit board.

The dryer is now in the set-up mode.

NOTE: This dryer is preset at the factory and does not require any programming. However, if you want to change the settings, follow the “Set-Up Codes” guide below.

- Coin units are pre-set at the factory for fixed cycle price with top off.
- Non-Coin units are pre-set for free cycle operation so they can be run without readers or coins.

FOR NON-COIN MODELS: The set-up codes are the same as for the Coin models except where noted.

The set-up code is indicated by the one or two left-hand characters. The set-up code value is indicated by the two or three right-hand characters.

NOTE: Set-up codes marked with * are able to transfer from one machine to another machine (must be same model type) via USB stick.

CODE	EXPLICATION
6 06	REGULAR CYCLE AMOUNT TO START *
6 06	Represents the amount of Coins or Gen 1 Debit Pulses required to start a Regular Cycle. See Value of Coin 1 setting. COIN Models Factory Default is 606 (Requires 6 Coins).
Press the NORMAL keypad once to advance to next code.	
7 05	REGULAR CYCLE DRY TIME *
7 05	Represents the amount of Regular Cycle Minutes per Coin or Gen 1 Debit Pulses. Example - Regular Amount Start Setting = 606 and Regular Cycle Dry Time Setting = 705 then 6 X 5 = 30. Regular Cycle Time is 30 minutes. Factory Default is 705 (5 minutes per Coin/Debit Pulse) Adjustable from 01 to 75 using the Heavy Duty Keypad. NON-COIN MODELS ONLY: Factory preset for 45 = 45 minutes.
Press the NORMAL keypad once to advance to next code.	
2.00	HELP MODE MENU ACCESS
	This option is either SELECTED 'ON' or NOT SELECTED 'OFF'.
Press the NORMAL keypad once to advance to next code.	

CONTROLS SET-UP THROUGH USB

To access the USB setup menu, navigate to set-up code 2.xx (special pricing option). Pressing HEAVY DUTY keypad activates the help mode sub-menu. The first sub-mode within the help mode is USB option. Press HEAVY DUTY keypad at any time to exit help mode.

Submode	Description	Note
USB	While on this screen, press the HEAVY DUTY button to enter into USB menu. USB menu allows for software update and import/export machine settings.	Allows user to enter USB menu. See USB MENU section for more info.

USB MENU

To access USB menu enter into Help Mode. While on the USB screen press the HEAVY DUTY key. To advance through the USB sub menu, use the NORMAL key. The DELICATES key is the Select key. Press the HEAVY DUTY key pad at any time to exit USB Menu. See Page 24 for location of the USB Port on the appliance and instructions for how to install a USB Stick onto the appliance and to remove a USB stick from the appliance.

Code	Explanation
U0.00	USB drive Inserted? (Status only)
U0.00	This will be displayed if USB drive is NOT detected.
U0.01	This will be displayed if USB drive is detected.
Press the NORMAL key once to advance to next code.	
U1.00	Programming Mode
U1.00	This will be displayed if USB drive not detected.
U1.01	This will be displayed if USB drive is detected. If you wish to reprogram the controls Press the DELICATES keypad 3 times. Display will toggle between U1.01 and ProG while updating ACU or U1.01 and --- while updating UI is in process. Please wait until process is complete, this could take several minutes. After software is successfully downloaded to machine, the control could take several minutes to reset. After reset is complete the machine will return to customer mode or service mode depending on Service Switch status.
FCE4 or FCE5	If the software programming was unsuccessful the display will toggle between U1.01 and FCE4 or FCE5.
Press the NORMAL key once to advance to next code.	
U2.00	Export Machine Settings to USB Drive.
U2.00	This will be displayed if USB drive is not detected.
U2.01	This will be displayed if USB drive is detected. If you wish to export machine settings to USB drive press the DELICATES key 3 times. Display will toggle between U2.01 and --- while export in process.
donE	Display will toggle between U2 and donE when export finished successfully.
FCE4 or FCE5	f the export was unsuccessful the display will toggle between U2.01 and FCE4 or FCE5.
Press the NORMAL key once to advance to next code.	
U3.00	Import Machine Settings from USB Drive.
U3.00	This will be displayed if USB drive is not detected.

Code	Explanation
U3.01	This will be displayed if USB drive is detected. If you wish to import machine settings from USB drive to machine press the DELICATES key 3 times. Display will toggle between U3.01 and --- while import in process.
donE	Display will toggle between U3 and donE when import finished successfully.
FCE4 or FCE5	If the import was unsuccessful the display will toggle between U3.01 and FCE4 or FCE5.
Press the NORMAL key once to advance to next code.	
U4.00	Export Machine Audit Data to USB Drive.
U4.00	This will be displayed if USB drive is not detected.
U4.01	This will be displayed if USB drive is detected. If you wish to export machine audit data to USB drive press the DELICATES key 3 times. Display will toggle between U4.01 and --- while export in process.
donE	Display will toggle between U4.01 and donE when export finished successfully.
FCE4 or FCE5	If the export was unsuccessful the display will toggle between U4.01 and FCE4 of FCE5.

END of SET-UP PROCEDURES

EXIT FROM SET-UP MODE

Single-Load COIN Models: Reinstall access door.

Single-Load NON-COIN Models:

→ Unplug dryer or disconnect power.

→ Open console, reinsert plug into J4, close console.

→ Plug in dryer or reconnect power.

ACCESS TO USB PORT

If using USB Stick to change Electronic Controls Settings

⚠ WARNING



Electrical Shock Hazard

Disconnect power before servicing.

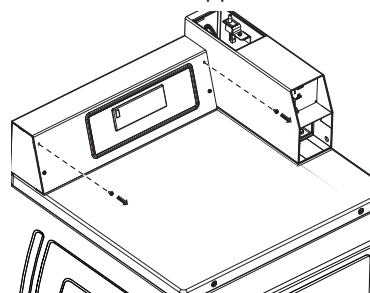
Replace all parts and panels before operating.

Failure to do so can result in death or electrical shock.

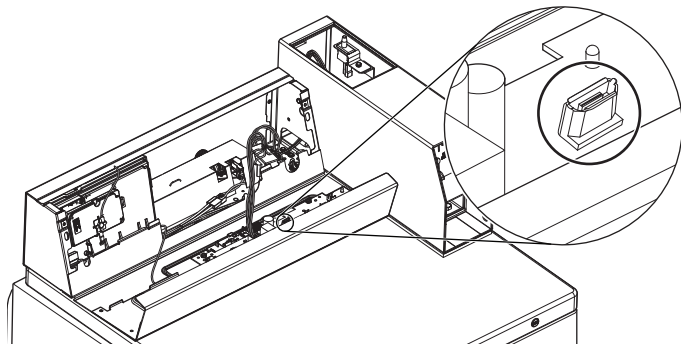
To Install or Remove USB Stick

USB Port is located on the Display Control Board.

1. Remove the two screws to allow the Fascia Panel to be rotated outward from the appliance.



2. Lay fascia panel face down on appliance top panel to provide access to User Interface Control Board.
3. Install USB Stick into USB Port or remove USB Stick from USB Port.



4. Replace fascia panel onto appliance with the two screws previously removed.

⚠ WARNING



Electrical Shock Hazard

Plug into a grounded 3 or 4 prong outlet.

Do not remove ground prong.

Do not use an adapter.

Do not use an extension cord.

Failure to follow these instructions can result in death, fire, or electrical shock.

5. Plug appliance into a grounded 3 prong outlet or reconnect power.

SÉCURITÉ DE LA SÈCHEUSE

Votre sécurité et celle des autres est très importante.

Nous donnons de nombreux messages de sécurité importants dans ce manuel et sur votre appareil ménager. Assurez-vous de toujours lire tous les messages de sécurité et de vous y conformer.



Voici le symbole d'alerte de sécurité.

Ce symbole d'alerte de sécurité vous signale les dangers potentiels de décès et de blessures graves à vous et à d'autres.

Tous les messages de sécurité suivront le symbole d'alerte de sécurité et le mot "DANGER" ou "AVERTISSEMENT". Ces mots signifient :

⚠ DANGER

Risque possible de décès ou de blessure grave si vous ne suivez pas immédiatement les instructions.

⚠ AVERTISSEMENT

Risque possible de décès ou de blessure grave si vous ne suivez pas les instructions.

Tous les messages de sécurité vous diront quel est le danger potentiel et vous disent comment réduire le risque de blessure et ce qui peut se produire en cas de non-respect des instructions.



AVERTISSEMENT - "Risque d'incendie"

- L'installation de la sècheuse à linge doit être effectuée par un installateur qualifié.
- Installer la sècheuse conformément aux instructions du fabricant et aux codes locaux.
- Ne pas installer de sècheuse à linge avec des matériaux d'évacuation en plastique souple ou un conduit métallique souple (de type papier d'aluminium). Si un conduit métallique souple est installé, celui-ci doit être d'un type spécifique identifié par le fabricant de l'appareil et convenir à une utilisation avec les sècheuses à linge. Les matériaux d'évacuation souples sont connus pour s'affaisser, être facilement écrasés et bloquer la charpie. Ces situations obstrueront le débit d'air de la sècheuse à linge et augmenteront le risque d'incendie.
- Pour réduire le risque de blessure grave ou de décès, suivre toutes les instructions d'installation.
- Conserver ces instructions.

- On recommande que le propriétaire place les instructions à l'usage du client en un lieu bien visible, au cas où le client percevrait une odeur de gaz. Ces renseignements doivent être obtenus auprès de votre fournisseur en gaz.
- Placer l'avertissement qui suit à un endroit bien visible.

POUR VOTRE SÉCURITÉ

Ne pas remiser ou utiliser de l'essence ou tout autre liquide ou vapeur inflammable à proximité de cet appareil ou de tout autre appareil.

⚠ AVERTISSEMENT

Risque d'incendie

Le non-respect de cet avertissement peut causer des blessures graves, des dommages à la propriété ou le décès.

Ne pas installer de ventilateur d'appoint dans le conduit d'évacuation.

Installer toutes les sècheuses en respectant les instructions d'installation du fabricant de la sècheuse.

SÉCURITÉ DE LA SÈCHEUSE

AVERTISSEMENT :

RISQUE D'INCENDIE OU D'EXPLOSION

Le non-respect des avertissements de sécurité peut causer des dommages à la propriété, des blessures graves, voire la mort.

- Ne pas entreposer ou utiliser de l'essence ou d'autres vapeurs ou liquides inflammables à proximité de cet appareil ou de tout autre appareil électroménager.
- QUE FAIRE DANS LE CAS D'UNE ODEUR DE GAZ :
 - Ne pas tenter d'allumer un appareil.
 - Ne pas toucher à un commutateur électrique; ne pas utiliser le téléphone se trouvant sur les lieux.
 - Évacuer tous les gens de la pièce, de l'édifice ou du quartier.
 - Appeler immédiatement le fournisseur de gaz d'un téléphone voisin. Suivre ses instructions.
 - À défaut de joindre votre fournisseur de gaz, appeler les pompiers.
- L'installation et l'entretien doivent être effectués par un installateur qualifié, une agence de service ou le fournisseur de gaz.

AVERTISSEMENT : L'odorat ne permet pas toujours la détection d'une fuite de gaz.

Les distributeurs de gaz recommandent l'emploi d'un détecteur de gaz (homologation UL ou CSA).

Pour d'autres informations, contacter le fournisseur de gaz local.

En cas de détection d'une fuite de gaz, exécuter les instructions "Que faire dans le cas d'une odeur de gaz".

Dans l'État du Massachusetts, les instructions d'installation suivantes sont applicables :

- Les travaux d'installation et réparation doivent être exécutés par un plombier ou tuyauteur qualifié ou licencié, ou par le personnel qualifié d'une entreprise licenciée par l'État du Massachusetts.
- Remplacer par des dispositifs de fermeture acceptables : Les robinets de gaz et robinets à bille installés pour l'utilisation devraient être indiqués.
- Si un conduit de raccordement flexible est utilisé, sa longueur ne doit pas dépasser 4 pi (121,9 cm).

IMPORTANT : L'installation au gaz doit être conforme aux codes locaux, ou en l'absence de codes locaux, au Code National d'alimentation au gaz, à la norme ANSI Z223.1/NFPA 54 ou au Code des installations au gaz naturel et au propane, CSA-B149.1.

La sècheuse doit être correctement reliée à la terre en conformité avec les codes locaux en vigueur, ou en l'absence de tels codes, avec le National Electrical Code, ANSI/NFPA 70 ou le Code canadien des installations électriques, CSA C22.1 partie 1.

IMPORTANTES INSTRUCTIONS DE SÉCURITÉ

Avant de jeter ou de ranger votre vieille sècheuse, enlever la porte.

CONSERVEZ CES INSTRUCTIONS

SÉCURITÉ DE LA SÈCHEUSE

IMPORTANTES INSTRUCTIONS DE SÉCURITÉ

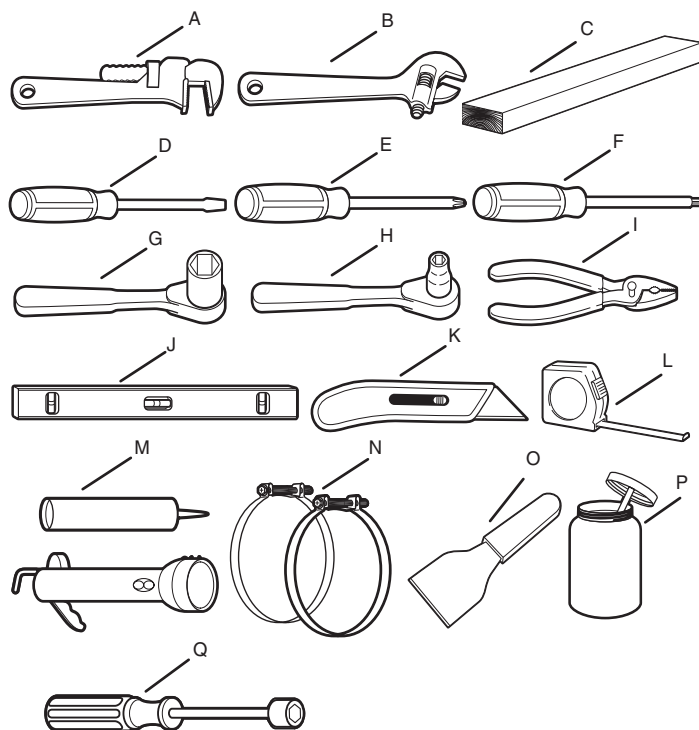
AVERTISSEMENT : Afin de réduire le risque d'incendie, de décharge électrique ou de blessures lors de l'utilisation de la sècheuse, il convient d'observer certaines précautions fondamentales, notamment :

- Lire toutes les instructions avant d'utiliser la sècheuse.
- Cette sècheuse est conçue uniquement pour le séchage de vêtements et de textiles ayant été nettoyés à l'eau. Ne pas l'utiliser à toute autre fin.
- **AVERTISSEMENT** : Si l'on détecte une odeur de gaz, ne pas utiliser la sècheuse ou tout autre équipement électrique situé à proximité. Avertir les autres personnes qu'elles doivent évacuer cette zone. Contacter le propriétaire de la sècheuse immédiatement.
- Ne pas placer d'articles tachés d'huile de cuisson dans la sècheuse. Les articles couverts d'huile de cuisson peuvent provoquer une réaction chimique et enflammer la charge de vêtements. Pour réduire le risque d'incendie dû à des charges contaminées, la partie finale du programme de séchage par culbutage a lieu sans chaleur (période de refroidissement). Éviter d'arrêter une sècheuse en phase de culbutage avant la fin du programme de séchage, à moins de retirer et d'étendre rapidement tous les articles afin que la chaleur se dissipe.
- Ne pas sécher d'articles qui ont été précédemment nettoyés, lavés, trempés ou tachés avec de l'essence, des solvants pour nettoyage à sec ou d'autres substances inflammables ou explosives; ces substances dégagent des vapeurs qui pourraient s'enflammer ou exploser.
- Ne pas faire sécher d'articles non lavés dans cette sècheuse.
- Risque de suffocation et de blessure par coincement : Ne pas laisser des enfants jouer sur l'appareil ou à l'intérieur de celui-ci. Une surveillance étroite des enfants est nécessaire lorsque l'appareil est utilisé à proximité d'enfants.
- Ne pas laisser des enfants jouer sur la sècheuse ou à l'intérieur de celle-ci. Une surveillance attentive des enfants est nécessaire lorsque la sècheuse est utilisée à proximité des enfants.
- Retirer la porte du compartiment de la sècheuse avant de retirer la sècheuse pour un entretien ou de le mettre au rebut.
- Ne pas accéder à l'intérieur de la sècheuse pendant le fonctionnement du tambour.
- Ne pas ouvrir la porte pendant que la sècheuse fonctionne. Celle-ci s'arrêtera.
- Ne pas installer ou entreposer la sècheuse dans un endroit où elle serait exposée aux intempéries.
- Ne pas effectuer d'intervention non autorisée sur les commandes.
- Ne pas utiliser de pièces de remplacement qui n'ont pas été recommandées par le fabricant (c.-à-d., pièces fabriquées à la maison à l'aide d'une imprimante 3D).
- Nettoyer le filtre à charpie de la sècheuse avant ou après chaque charge.
- Ne pas utiliser cette sècheuse si le filtre à charpie n'est pas installé.
- Ne pas réparer ou remplacer une quelconque pièce de la sècheuse ou effectuer tout entretien qui ne serait pas expressément recommandé dans le guide d'utilisation et d'entretien ou dans des instructions de réparation par l'utilisateur et s'assurer de bien comprendre ces instructions et d'être capable de les exécuter.
- Ne pas utiliser d'assouplissant ou de produits pour éliminer l'électricité statique à moins que cela ne soit recommandé par le fabricant de l'assouplissant ou du produit.
- Ne pas sécher à la chaleur des articles contenant du caoutchouc mousse ou des matières similaires.
- La partie finale du programme de séchage par culbutage s'effectue sans chaleur (programme de refroidissement) pour que les articles soient laissés à une température qui ne risque pas de les endommager.
- **AVERTISSEMENT** : Ne jamais arrêter une sècheuse en phase de culbutage avant la fin du programme de séchage, à moins de retirer et d'étendre rapidement tous les articles afin que la chaleur se dissipe. (Évitez les risques de combustion spontanée.)
- La zone située autour de l'ouverture d'évacuation et les zones adjacentes doivent être propres, exemptes de peluches et poussières.
- L'intérieur de la sècheuse et son conduit d'évacuation doivent être nettoyés régulièrement par un personnel d'entretien qualifié.
- Voir la section « Spécifications électriques » pour les instructions de mise à la terre.
- **AVERTISSEMENT : Risque d'incendie.** Ne pas installer de ventilateur secondaire dans le conduit d'évacuation.
REMARQUE : L'avertissement de ventilateur secondaire ne s'applique pas aux sècheuses conçues pour être installées dans un système où il y a plusieurs sècheuses, avec un système de conduit d'évacuation conçu sur mesure et installé selon les directives du fabricant de la sècheuse.

CONSERVER CES INSTRUCTIONS

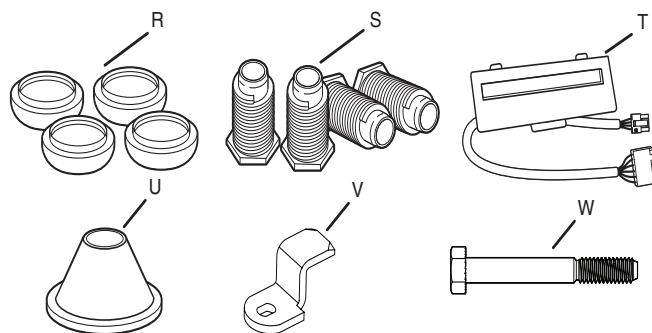
OUTILS ET PIÈCES

Outils requis :



- A. Clé à tuyau de 8 po (200 mm) ou 10 po (250 mm)
- B. Clé à molette de 8 po (200 mm) ou 10 po (250 mm) (ouverture jusqu'à 1 po [25 mm])
- C. Cale de bois de 27 po (686 mm)
- D. Tournevis à tête plate
- E. Tournevis à tête cruciforme
- F. Tournevis ou embout de sécurité TORX® T20†
- G. Clé à douille hexagonale de 1 po (25 mm)
- H. Clé à douille de 5/16 po (8 mm)
- I. Pince (ouverture jusqu'à 1 9/16 po [39,7 mm])
- J. Niveau
- K. Couteau tout usage
- L. Règle ou mètre ruban
- M. Pistolet à calfeutrage et composé de calfeutrage (pour l'installation d'un nouveau conduit d'évacuation)
- N. Bride de conduit
- O. Couteau à mastic
- P. Composé d'étanchéité des tuyauteries résistant au type de gaz utilisé
- Q. Tourne-écrou de 1/4 po (6 mm)

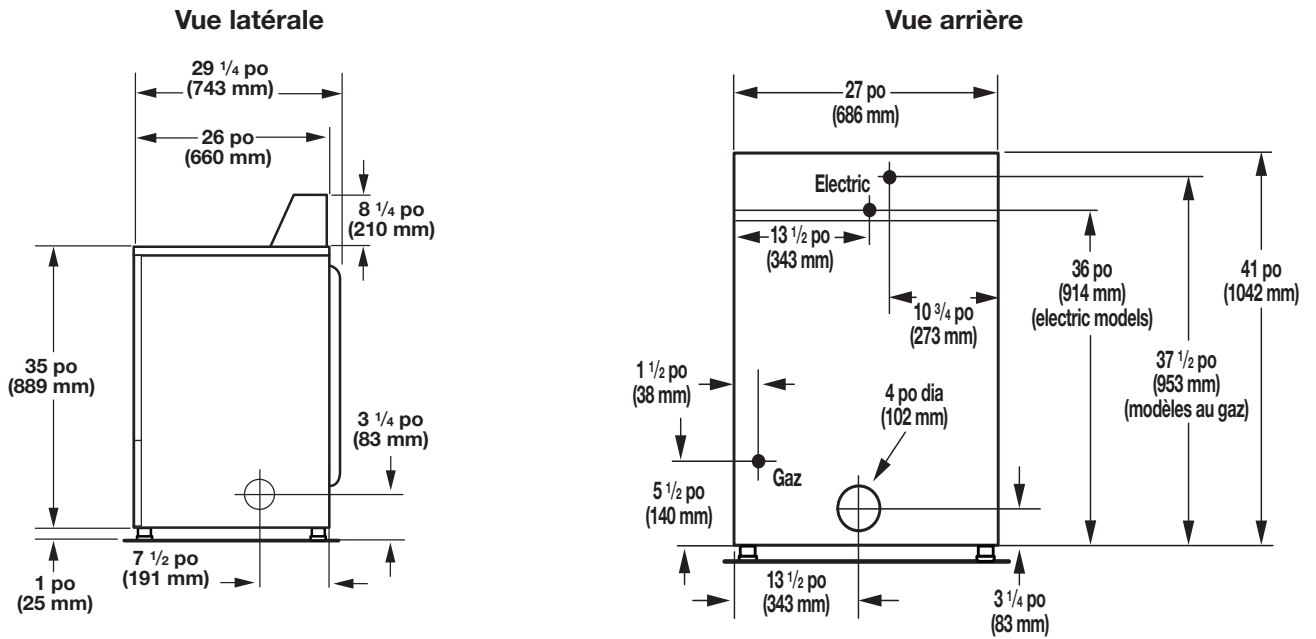
Pièces fournies :



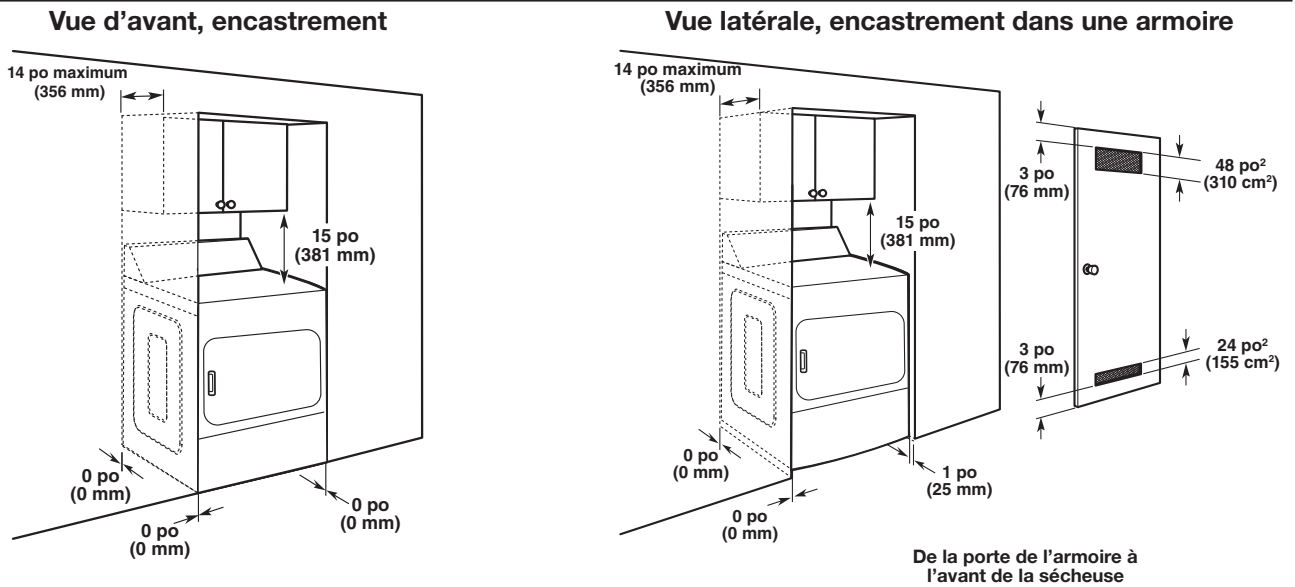
- R. Capuchons bottines (4)
- S. Pieds de nivellement (4)
- T. Trousse de cerclage (modèles sans pièce seulement)
- U. Cône de sécurité (modèles avec pièces seulement)
- V. Came de verrouillage (sur certains modèles)
- W. Boulon de sécurité de 18 x 2 1/2 po à tête hexagonale de 5/16 po (modèles avec pièces seulement)

DIMENSIONS/DISTANCES DE DÉGAGEMENT

Dimensions



Distances de dégagement



EXIGENCES D'EMPLACEMENT

⚠️ AVERTISSEMENT



Risque d'explosion

Garder les matières et les vapeurs inflammables, telle que l'essence, loin de la sècheuse.

Ne pas faire sécher un article qui a déjà été touché par un produit inflammable (même après un lavage).

Placer la sècheuse au moins 460 mm (18 po) au-dessus du plancher pour une installation dans un garage.

Le non-respect de ces instructions peut causer un décès, une explosion ou un incendie.

La sècheuse peut être installée dans un sous-sol, une salle de buanderie ou un encastrement.

Elle n'est pas conçue pour être installée dans une maison mobile. Un ensemble d'adaptateur comme indiqué dans ces instructions d'installation est requis pour utiliser la sècheuse dans une maison préfabriquée/mobile.

Il faut aussi prendre en compte les exigences d'emplacement des appareils voisins.

IMPORTANT : Ne pas installer ou remiser la sècheuse dans un endroit où elle sera exposée à l'eau ou aux intempéries. C'est à l'utilisateur qu'incombe la responsabilité de réaliser une installation correcte.

Il vous faudra :

- Une prise électrique reliée à la terre située à moins de 6 pi (1,8 m) de la fiche du cordon électrique se trouvant à l'arrière de la sècheuse
Consulter les « Spécifications électriques ».
- Un plancher de niveau ayant une pente maximale de 1 po (25 mm) sous l'ensemble de la sècheuse. L'installation de la sècheuse sur une surface molle, comme un tapis ou un plancher avec sous-couche en mousse, n'est pas recommandée.

Distances de dégagement pour l'installation de la sècheuse

- L'emplacement doit être assez grand pour permettre d'ouvrir complètement la porte de la sècheuse.
- Prévoir davantage d'espace pour faciliter l'installation et l'entretien. La porte ouvre de plus de 180°.
- Un espace supplémentaire peut être requis pour les moulures de porte et de plancher et pour les plinthes.
- Un espace supplémentaire de 1 po (25 mm) de tous les côtés de la sècheuse est recommandé pour réduire le transfert du bruit.
- L'arrière de la sècheuse doit être placé contre le mur. Consulter les dimensions/dégagements d'installation minimum dans les schémas.

Lors de l'installation d'une sècheuse à gaz :

IMPORTANT : Observer les dispositions de tous les codes et règlements en vigueur.

- Vérifier les exigences des codes : Certains codes limitent ou n'autorisent pas l'installation d'une sècheuse dans un garage, une armoire ou une chambre à coucher. Contacter l'inspecteur en bâtiments local.
- S'assurer que les rebords inférieurs de l'armoire, ainsi que l'arrière et le côté inférieur de la sècheuse, sont bien dégagés pour permettre une évacuation adéquate de l'air de combustion. Voir la section « Instructions d'installation dans un encastrement ou une armoire » ci-dessous pour connaître les distances de dégagement minimales.

Instructions d'installation dans un encastrement ou une armoire

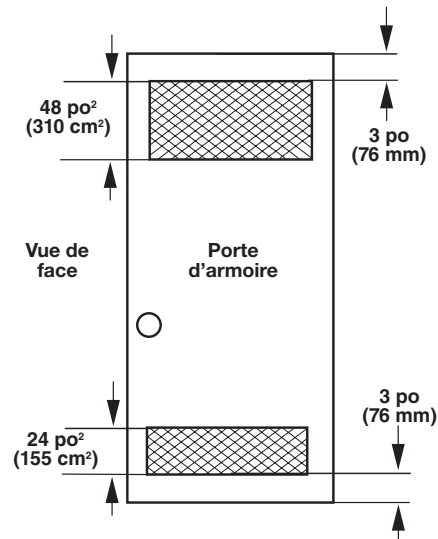
Cette sècheuse peut être installée dans un encastrement ou une armoire. Pour les installations dans un encastrement ou une armoire, les distances de dégagement minimales sont indiquées sur l'étiquette d'avertissement à l'arrière de la sècheuse ou à la section « Dimensions/distances de dégagement ».

Les dimensions d'installation sont en pouces et constituent le minimum applicable. Un espace supplémentaire peut être nécessaire pour faciliter l'installation, l'entretien et pour observer les codes et règlements locaux.

Si l'on installe une porte de placard, des ouvertures d'aération minimales non obstruées sont nécessaires en haut et en bas de la porte comme indiqué dans le schéma ci-dessous. Les portes à claire-voie offrant des ouvertures équivalentes sont acceptables.

La sècheuse doit évacuer à l'extérieur.

Aucun autre appareil consommant un combustible ne doit être installé dans la même armoire que la sècheuse.



SPÉCIFICATIONS ÉLECTRIQUES DE LA SÈCHEUSE À GAZ

⚠️ AVERTISSEMENT



Risque de choc électrique

Brancher sur une prise à 3 alvéoles reliée à la terre ou 4 alvéoles reliée à la terre.

Ne pas enlever la broche de liaison à la terre.

Ne pas utiliser un adaptateur.

Ne pas utiliser un câble de rallonge.

Le non-respect de ces instructions peut causer un décès, un incendie ou un choc électrique.

IMPORTANT : La sècheuse doit être correctement reliée à la terre en conformité avec les codes et règlements locaux en vigueur, ou en l'absence de tels codes, avec le National Electrical Code, ANSI/NFPA 70 – dernière édition, ou le Code canadien des installations électriques, CSA C22.1.

Si on utilise un conducteur distinct de mise à la terre lorsque les codes le permettent, il est recommandé qu'un électricien qualifié vérifie que la mise à la terre est adéquate. Pour obtenir un exemplaire des normes des codes ci-dessus, contacter :

National Fire Protection Association
One Batterymarch Park, Quincy, MA 02269

CSA International
8501 East Pleasant Valley Road
Cleveland, Ohio 44131-5575

- Ne pas utiliser une tuyauterie de gaz pour le raccordement à la terre.
- Ne pas installer un fusible dans le conducteur neutre ou le circuit de mise à la terre.
- L'appareil doit être alimenté par un circuit de 120 V CA à 60 Hz seulement et protégé par fusible de 15 A. On recommande également d'utiliser un fusible ou un disjoncteur temporisé. Il est recommandé de raccorder l'appareil sur un circuit distinct exclusif à cet appareil.
- Cette sècheuse comporte un cordon d'alimentation électrique à trois broches pour liaison à la terre.
- Pour réduire le risque de décharge électrique, on doit brancher le cordon sur une prise de courant de configuration correspondante, à 3 alvéoles, reliée à la terre et installée conformément aux codes et règlements locaux. Si une prise de courant de configuration correspondante n'est pas accessible, le client a la responsabilité et l'obligation de faire installer par un électricien qualifié une prise de courant correctement reliée à la terre.
- Si les codes le permettent et si l'on utilise un conducteur distinct de liaison à la terre, il est recommandé qu'un électricien qualifié vérifie la qualité de la liaison à la terre.
- En cas de doute quant à la qualité de la liaison à la terre de la sècheuse, consulter un électricien qualifié.

Mise à la terre de la sècheuse à gaz

INSTRUCTIONS DE LIAISON À LA TERRE

- Pour une sècheuse reliée à la terre et connectée par un cordon :

Cette sècheuse doit être reliée à la terre. En cas de mauvais fonctionnement ou de panne, la liaison à la terre réduira le risque de choc électrique en offrant au courant électrique un acheminement d'évacuation de moindre résistance. Cette sècheuse est alimentée par un cordon électrique comportant un conducteur relié à la terre et une fiche de branchement munie d'une broche de liaison à la terre. La fiche doit être branchée sur une prise appropriée qui est bien installée et reliée à la terre conformément à tous les codes et règlements locaux.

AVERTISSEMENT : Le raccordement incorrect de cet appareil au conducteur de liaison à la terre peut susciter un risque de choc électrique. En cas de doute quant à la qualité de liaison à la terre de la sècheuse, consulter un électricien ou un technicien ou un personnel qualifié. Ne pas modifier la fiche de branchement fournie avec la sècheuse; si la fiche ne correspond pas à la configuration de la prise de courant, demander à un électricien qualifié d'installer une prise de courant appropriée.

CONSERVEZ CES INSTRUCTIONS

EXIGENCES CONCERNANT L'ALIMENTATION EN GAZ

Alimentation en gaz

! AVERTISSEMENT



Risque d'explosion

Utiliser une canalisation neuve d'arrivée de gaz approuvée par CSA International.

Installer un robinet d'arrêt.

Bien serrer chaque organe de connexion de la canalisation de gaz.

En cas de connexion au gaz propane, demander à une personne qualifiée de s'assurer que la pression de gaz ne dépasse pas 330 mm (13 po) de la colonne d'eau.

Par personne qualifiée, on comprend :

**le personnel autorisé de chauffage,
le personnel autorisé d'une compagnie de gaz, et
le personnel d'entretien autorisé.**

Le non-respect de ces instructions peut causer un décès, un explosion ou un incendie.

IMPORTANT : Observer les dispositions de tous les codes et règlements en vigueur.

Cette installation doit être effectuée conformément avec les codes et règlements locaux. En l'absence de code local, l'installation doit satisfaire aux prescriptions de la norme American National Standard, National Fuel Gas Code ANSI Z223.1/NFPA 54 ou CAN/CSA B149.

Pour obtenir un exemplaire des normes des codes ci-dessus, contacter :

National Fire Protection Association
One Batterymarch Park, Quincy, MA 02269

CSA International
8501 East Pleasant Valley Road
Cleveland, Ohio 44131-5575

La conception de cette sècheuse a été homologuée par CSA International pour une utilisation jusqu'à une altitude de 10 000 pi (3 048 m) au-dessus du niveau de la mer pour le débit thermique indiqué sur la plaque signalétique. Aucun réglage du brûleur n'est nécessaire lorsque la sècheuse est utilisée à une altitude inférieure à cette valeur maximale.

Lorsque l'appareil est installé à une altitude supérieure à 10 000 pi (3 048 m), on doit réduire de 4 % le débit thermique du brûleur indiqué sur la plaque signalétique pour chaque tranche de 1 000 pi (305 m) d'augmentation de l'altitude. Pour obtenir de l'aide lors de la conversion à d'autres types de gaz ou l'installation de l'appareil à une altitude supérieure à 10 000 pi (3048 m), contacter la société de dépannage la plus proche.

SPÉCIFICATIONS ÉLECTRIQUES DE LA SÉCHEUSE ÉLECTRIQUE – É.-U. SEULEMENT

C'est à l'utilisateur qu'incombe la responsabilité de :

- Contacter un électricien qualifié.
- S'assurer que le raccordement électrique est adéquat et conforme au code national de l'électricité, ANSI/NFPA 70 – plus récente édition, et à tous les codes et règlements locaux en vigueur.
- Le National Electrical Code impose un raccordement à 4 fils de l'alimentation électrique pour les maisons construites après 1996, les circuits de sècheuse modifiés après 1996 et toutes les installations de maisons mobiles.
- Pour obtenir un exemplaire des normes des codes ci-dessus, contacter : National Fire Protection Association One Batterymarch Park, Quincy, MA 02269.
- L'appareil doit être alimenté uniquement par un circuit monophasé à 3 ou 4 fils de 120/240 V CA, 60 Hz (ou 3 ou 4 fils, 120/208 V, si précisé sur la plaque signalétique) sur un circuit séparé et protégé par un fusible ou un disjoncteur de 30 A sur chacun des 2 câbles. On recommande d'utiliser un fusible ou un disjoncteur temporisé. On recommande également que cet appareil soit alimenté par un circuit indépendant.
- Ne pas avoir de fusible dans le circuit neutre ou de mise à la terre.
- Ne pas utiliser de câble de rallonge.
- Si les codes le permettent et si l'on utilise un conducteur distinct de liaison à la terre, il est recommandé qu'un électricien qualifié vérifie la qualité de la liaison à la terre.

Raccordement électrique

Pour installer la sècheuse de façon appropriée, il faut établir le type de raccords électriques que l'on utilisera et suivre les instructions de ce document.

- Cette sècheuse est prête à l'installation avec un raccordement à l'alimentation électrique à 3 fils. Le fil de terre neutre est définitivement raccordé au conducteur neutre (fil blanc) à l'intérieur de la sècheuse. Si la sècheuse est installée avec un raccordement à 4 fils à l'alimentation électrique, le fil de terre neutre doit être retiré de la vis du connecteur de terre externe (vis verte) et fixé sous la borne du neutre (fil du centre ou blanc) du bornier. Lorsque le fil de terre neutre est fixé sous la borne du neutre (fil du centre ou blanc) du bornier, la caisse de la sècheuse est isolée du conducteur neutre.
- Si les codes locaux n'autorisent pas le raccordement d'un conducteur de liaison à la terre au fil neutre, voir « Raccordement optionnel à 3 fils ».
- Un raccordement à 4 fils de l'alimentation électrique doit être utilisé lorsque l'appareil est installé dans un lieu où la mise à la terre par le conducteur neutre est interdite. Il est interdit de relier l'appareil à la terre par l'intermédiaire du conducteur neutre dans les cas suivants : (1) nouvelle installation de circuit de dérivation, et (2) juridictions dans lesquelles le code local interdit la liaison à la terre par l'intermédiaire du conducteur neutre.

Mise à la terre de la sècheuse électrique

INSTRUCTIONS DE LIAISON À LA TERRE

- Pour une sècheuse reliée à la terre et connectée par un cordon :


Cette sècheuse doit être reliée à la terre. En cas de mauvais fonctionnement ou de panne, la liaison à la terre réduira le risque de choc électrique en offrant au courant électrique un acheminement d'évacuation de moindre résistance. Cette sècheuse est alimentée par un cordon électrique comportant un conducteur relié à la terre et une fiche de branchement munie d'une broche de liaison à la terre. La fiche doit être branchée sur une prise appropriée qui est bien installée et reliée à la terre conformément à tous les codes et règlements locaux.

- Pour une sècheuse raccordée en permanence :


Cette sècheuse doit être raccordée à un système de câblage permanent en métal relié à la terre ou un conducteur relié à la terre doit être en fonction avec les conducteurs de circuit et raccordé à la borne de liaison à la terre ou la borne sur la sècheuse.

AVERTISSEMENT : Le raccordement incorrect de cet appareil au conducteur de liaison à la terre peut susciter un risque de choc électrique. En cas de doute quant à la qualité de liaison à la terre de la sècheuse, consulter un électricien ou un technicien ou un personnel qualifié. Ne pas modifier la fiche de branchement fournie avec la sècheuse; si la fiche ne correspond pas à la configuration de la prise de courant, demander à un électricien qualifié d'installer une prise de courant appropriée.

CONSERVEZ CES INSTRUCTIONS



AVERTISSEMENT



Risque d'incendie

Utiliser un cordon d'alimentation électrique neuf homologué UL de 30 ampères.

Utiliser un réducteur de tension homologué UL.

Déconnecter la source de courant électrique avant de réaliser les connexions électriques.

Connecter le conducteur neutre (blanc ou conducteur central) à la borne centrale (argent).

Le conducteur de liaison à la terre (vert ou nu) doit être relié au connecteur vert de liaison à la terre.

Connecter les 2 conducteurs d'alimentation restants aux 2 bornes (or) restantes.

Bien serrer chaque organe de connexion du branchement électrique.

Le non-respect de cette instruction peut causer un décès, un incendie ou un choc électrique.



AVERTISSEMENT



Risque d'incendie

Utiliser du fil en cuivre de calibre 10.

Utiliser un réducteur de tension homologué UL.

Déconnecter la source de courant électrique avant de réaliser les connexions électriques.

Connecter le conducteur neutre (blanc ou conducteur central) à la borne centrale.

Le conducteur de liaison à la terre (vert ou nu) doit être relié au connecteur vert de liaison à la terre.

Connecter les 2 conducteurs d'alimentation restants aux 2 bornes (or) restantes.

Bien serrer chaque organe de connexion du branchement électrique.

Le non-respect de cette instruction peut causer un décès, un incendie ou un choc électrique.

En cas d'utilisation d'un cordon d'alimentation :

Utiliser un ensemble de cordon d'alimentation électrique homologué UL marqué pour utilisation avec les sècheuses à vêtements. La trousse doit contenir :

- Un cordon d'alimentation électrique homologué UL de 30 A, 120/240 V minimum. Le câble doit être de type SRD ou SRDT et mesurer au moins 4 pi (1,22 m) de long. Les fils raccordés à la sècheuse doivent se terminer par des cosses rondes ou des cosses en « U » à fourche, à pointes relevées.
- Un serre-câbles (homologation UL).

Si la prise murale ressemble à ceci :



Prise murale à 4 conducteurs (14-30R)

Choisir un câble d'alimentation à 4 fils avec cosses rondes ou à fourche et un serre-câbles homologué UL. Le cordon d'alimentation électrique à 4 fils, d'au moins 4 pi (1,22 m) de long, doit avoir 4 fils en cuivre torsadés de calibre no 10 et une fiche à 4 fils correspondante de type NEMA 14-30R. Le fil de mise à la terre (le conducteur de mise à la terre) peut être vert ou nu. Le conducteur neutre doit être identifié par une gaine blanche.

Si la prise murale ressemble à ceci :



Prise murale à 3 conducteurs (10-30R)

Choisir un câble d'alimentation à 3 fils avec cosses rondes ou à fourche et un serre-câbles homologué UL. Le cordon d'alimentation électrique à 3 fils, d'au moins 4 pi (1,22 m) de long, doit comporter trois fils en cuivre torsadés de calibre no 10 et une fiche à 3 fils correspondante de type NEMA 10-30R.

Pour le raccordement direct :

Le câble d'alimentation doit correspondre à l'alimentation électrique (4 fils ou 3 fils) et être :

- Un câble en cuivre à gaine non métallique ou blindé souple (avec fil de mise à la terre), avec conduit métallique souple. Tous les fils sous tension doivent être isolés.
- Fil en cuivre plein de calibre 10 (ne pas utiliser d'aluminium).
- D'au moins 5 pi (1,52 m) de long.

SPÉCIFICATIONS ÉLECTRIQUES DE LA SÈCHEUSE ÉLECTRIQUE – CANADA SEULEMENT



AVERTISSEMENT



Risque de choc électrique

Brancher sur une prise à 4 alvéoles reliée à la terre.

Le non-respect de cette instruction peut causer un décès ou un choc électrique.

Spécifications électriques – Canada seulement

C'est à l'utilisateur qu'incombe la responsabilité de :

- Contacter un électricien qualifié.
- S'assurer que le raccordement électrique est adéquat et conforme à la dernière édition du Canadian Electrical Code, C22.1, et à tous les codes et règlements locaux en vigueur. Pour obtenir un exemplaire des normes des codes ci-dessus, contacter : Canadian Standards Association, 178 Rexdale Blvd., Toronto, ON M9W 1R3 CANADA.
- L'appareil doit être alimenté uniquement par un circuit monophasé de 120/240 V CA uniquement de 60 Hz à 4 fils, sur un circuit séparé de 30 A, protégé par fusible aux deux extrémités de la ligne. On recommande d'utiliser un fusible ou un disjoncteur temporisé. On recommande également que cet appareil soit alimenté par un circuit indépendant.
- Cette sècheuse est équipée d'un cordon électrique homologué par la CSA International à introduire dans une prise murale standard 14-30R.
Le cordon mesure 5 pi (1,52 m). Veiller à ce que la prise murale se trouve à proximité de l'emplacement définitif de la sècheuse.
- Ne pas utiliser de câble de rallonge.
Si un cordon de rechange est utilisé, il est recommandé d'utiliser le cordon d'alimentation de rechange, consulter la liste de pièces ou visiter le www.whirlpool.com.
Pour obtenir plus de renseignements, veuillez vous référer aux numéros de service indiqué à la section « Assistance ou entretien ».



Prise murale à 4 conducteurs (14-30R)

INSTRUCTIONS DE LIAISON À LA TERRE

- Pour une sècheuse reliée à la terre et connectée par un cordon :

Cette sècheuse doit être reliée à la terre. En cas de mauvais fonctionnement ou de panne, la liaison à la terre réduira le risque de choc électrique en offrant au courant électrique un acheminement d'évacuation de moindre résistance. Cette sècheuse est alimentée par un cordon électrique comportant un conducteur relié à la terre et une fiche de branchement munie d'une broche de liaison à la terre. La fiche doit être branchée sur une prise appropriée qui est bien installée et reliée à la terre conformément à tous les codes et règlements locaux.

AVERTISSEMENT : Le raccordement incorrect de cet appareil au conducteur de liaison à la terre peut susciter un risque de choc électrique. En cas de doute quant à la qualité de liaison à la terre de la sècheuse, consulter un électricien ou un technicien ou un personnel qualifié. Ne pas modifier la fiche de branchement fournie avec la sècheuse; si la fiche ne correspond pas à la configuration de la prise de courant, demander à un électricien qualifié d'installer une prise de courant appropriée.

CONSERVEZ CES INSTRUCTIONS

EXIGENCES CONCERNANT L'ÉVACUATION DE LA SÈCHEUSE

⚠ AVERTISSEMENT



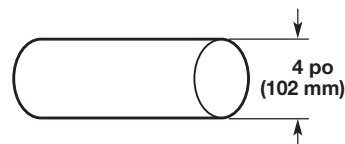
Risque d'incendie

- Utiliser un conduit d'évacuation en métal lourd.
- Ne pas utiliser un conduit d'évacuation en plastique.
- Ne pas utiliser un conduit d'évacuation en feuille de métal.
- Le non-respect de ces instructions peut causer un décès ou un incendie.

AVERTISSEMENT : Pour réduire le risque d'incendie, cette sècheuse doit ÉVACUER L'AIR À L'EXTÉRIEUR.

IMPORTANT : Observer les dispositions de tous les codes et règlements en vigueur.

Le conduit d'évacuation de la sècheuse ne doit pas être raccordé à une évacuation de gaz, une cheminée, un mur, un plafond, un grenier, un vide sanitaire ou un vide de construction. Seul un conduit d'évacuation métallique rigide ou flexible doit être utilisé pour le système d'évacuation.



Conduit d'évacuation en métal lourd de 4 po (102 mm)

- Utiliser uniquement un conduit d'évacuation en métal lourd de 4 po (102 mm) et des brides de serrage.
- Ne pas utiliser de conduit de plastique ou de métal très mince.

Conduit métallique rigide :

- Recommandé pour une performance de séchage idéale afin d'éviter tout écrasement ou déformation.

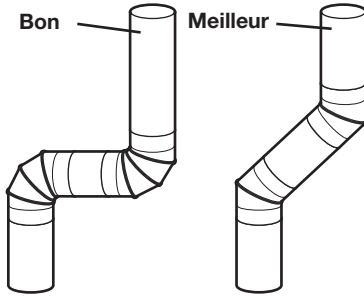
Conduit métallique flexible : (Acceptable uniquement si l'accès reste facile pour le nettoyage)

- Doit être entièrement déployé et soutenu à l'emplacement d'installation final de la sècheuse.
- Enlever tout excès de conduit flexible pour éviter tout affaissement et déformation susceptible de réduire la capacité d'évacuation et le rendement.
- Ne pas installer le conduit métallique flexible dans des cavités fermées de murs, plafonds ou planchers.
- La longueur totale ne doit pas dépasser 7 3/4 pi (2,4 m).

REMARQUE : Lors de l'utilisation d'un système d'évacuation existant, nettoyer et éliminer la charpie sur toute la longueur du système, et veiller à ce que l'évent d'évacuation ne soit pas obstrué par de la charpie. Remplacer tout conduit de plastique ou en aluminium par un conduit métallique rigide ou flexible. Consulter à nouveau le tableau des systèmes d'évacuations et modifier le système d'évacuation existant au besoin pour obtenir un meilleur séchage.

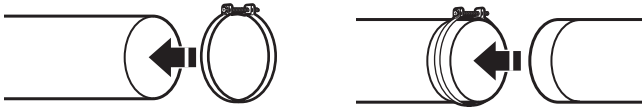
Coudes :

- Les coudes à 45° permettent une meilleure circulation de l'air que les coudes à 90°.



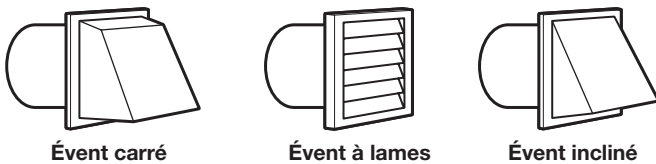
Brides de fixation :

- Utiliser des brides pour sceller tous les joints.
- Le conduit d'évacuation ne doit pas être raccordé ou fixé avec des vis ou tout autre dispositif de serrage qui se prolongerait à l'intérieur du conduit et retiendrait la charpie. Ne pas utiliser de ruban adhésif pour conduit.

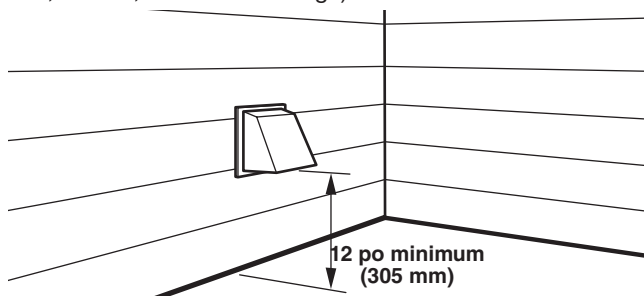


Hottes d'extraction

Clapets d'évacuation – Diamètre de 4 po (102 mm)



Le clapet de décharge doit se trouver à au moins 12 po (305 mm) au-dessus du sol ou de tout autre objet susceptible de se trouver sur le trajet de l'air humide rejeté (par exemple, fleurs, roches, buissons ou neige).



Longueur du système d'évacuation

Longueur maximale du conduit/raccord

La longueur maximale du système d'évacuation dépend du type d'évacuation utilisé, du nombre de coudes et du type d'évent.

Tableau du système d'évacuation
(évent en métal rigide)

Nombre de coudes à 90°	Évent carré et à lames	Évent incliné
0	64 pi (19,5 m)	58 pi (17,7 m)
1	54 pi (16,5 m)	48 pi (14,6 m)
2	44 pi (13,4 m)	38 pi (11,6 m)
3	35 pi (10,7 m)	29 pi (8,8 m)
4	27 pi (8,2 m)	21 pi (6,4 m)

Pour les systèmes d'évacuation autres que ceux indiqués dans le tableau des systèmes d'évacuation, consulter le revendeur de pièces.

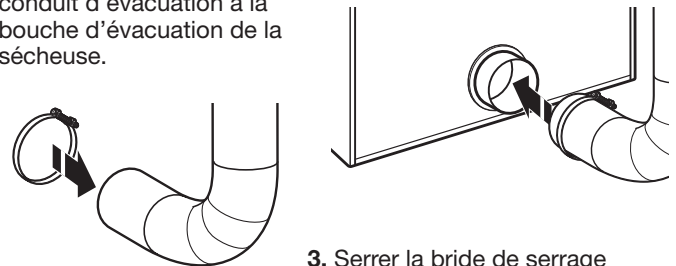
Prévoir un espace suffisant pour la combustion et la ventilation de l'air. (Vérifier les dispositions des codes et règlements en vigueur.) Voir le point « Instructions d'installation dans un encastrement ou une armoire » dans la section « Exigences d'emplacement ».

Il est préférable d'utiliser une sortie de hotte de 4 po (102 mm). Cependant, on peut utiliser un clapet d'évacuation de 2 1/2 po (64 mm). Une sortie de 2 1/2 po (64 mm) cause davantage de contre-pression que les autres types d'installation.

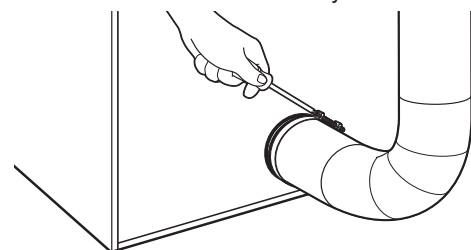
Pour une installation permanente, un système d'évacuation fixe est requis.

Raccordement du conduit d'évacuation

1. Si on utilise le conduit d'évacuation existant, s'assurer qu'il est propre.
2. À l'aide d'une bride de fixation de 4 po (102 mm), relier le conduit d'évacuation à la bouche d'évacuation de la sècheuse.

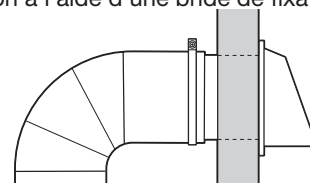


3. Serrer la bride de serrage de tuyau avec un tournevis



cruciforme.

4. S'assurer que le conduit d'évacuation est fixé au clapet d'évacuation à l'aide d'une bride de fixation de 4 po



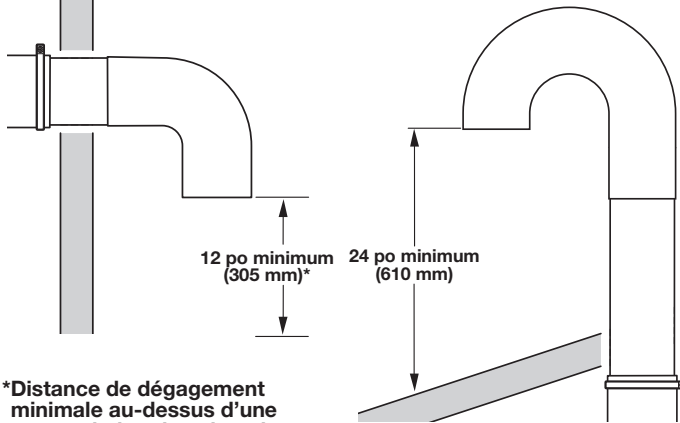
(102 mm).

- Déplacer la sècheuse à son emplacement final. Ne pas écraser ni pincer le conduit d'évacuation. Vérifier que la sècheuse est d'aplomb.

REMARQUE : L'évaluation de l'évacuation devrait être effectuée à l'aide d'un manomètre. Minimum : 0,01 po (0,2 mm). Maximum : 0,6 po (16 mm).

Si on ne peut pas utiliser d'évent d'évacuation

L'extérieur du conduit d'évacuation principal doit comporter un conduit de déviation orienté vers le bas.



*Distance de dégagement minimale au-dessus d'une accumulation de neige, de glace ou de débris comme des feuilles

Si le conduit principal monte verticalement à travers le toit et non à travers le mur, installer un coude de déviation à 180° à l'extrémité du conduit d'au moins 2 pi (610 mm) au-dessus de la surface ou du toit

Le diamètre de l'ouverture dans le toit ou le mur doit être supérieur de 1/2 po (13 mm) à celui du conduit. Le conduit doit être centré dans l'ouverture.

Pour de meilleures performances, ne pas installer de grillage à l'extrémité de l'évacuation.

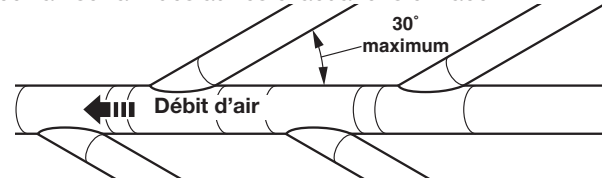
Évacuation pour plusieurs sècheuses

On peut utiliser un conduit principal pour assurer l'évacuation d'un ensemble de sècheuses. La taille du conduit principal doit permettre une évacuation de 5 663 L/min (200 CFM) d'air pour chaque sècheuse. On peut utiliser des filtres à charpie haute capacité correctement conçus dans le conduit principal s'ils sont inspectés et nettoyés régulièrement. La pièce dans laquelle se trouvent les sècheuses doit comporter un système d'air d'appoint (alimentation en air) au moins égal au π^3/min de toutes les sècheuses qui se trouvent dans la pièce.

Des clapets antireflux peuvent être achetés chez votre fournisseur et devraient être installés dans l'évacuation de chaque sècheuse pour empêcher l'air évacué de revenir dans les sècheuses et pour équilibrer l'évacuation du conduit principal. Des ouvertures dégagées pour le retour d'air sont nécessaires.

Chaque sècheuse à une seule charge devrait comporter une ouverture d'air non obstruée de 24 po² (154 cm²) (selon la mesure de 1 po² [6,5 cm²] pour 1 000 B.T.U. [252 kcal]), les ouvertures d'air d'appoint communes sont cependant aussi acceptables. Installer des ouvertures communes de sorte que l'air d'appoint soit distribué uniformément à toutes les sècheuses. Garder à l'esprit que la zone de couverture doit être augmentée de 33 % pour tenir compte de l'utilisation de registres ou de persiennes sur les ouvertures. De plus, les ouvertures d'air d'appoint ne doivent pas être installées près de l'emplacement des conduits d'évacuation à l'extérieur du bâtiment.

Chaque sortie d'évacuation devrait pointer dans la direction de l'évacuation. Les évacuations par l'autre côté doivent être placées en quinconce (décalées) pour réduire les interférences avec l'air sortant des autres évacuations en face.



L'inclinaison maximale de chaque conduit qui pénètre dans le conduit principal ne devrait pas dépasser 30°.

Veiller à ce que les ouvertures de passage d'air demeurent exemptes de vapeurs de solvants de nettoyage à sec. Les vapeurs sont source de formation de composés acides, dont l'introduction par les modules de chauffage de la sècheuse peut provoquer la détérioration de la sècheuse et du linge en cours de séchage.

Le conduit d'évacuation principal devrait comporter un couvercle amovible, ce qui permet le nettoyage périodique du système d'évacuation

REMARQUE : Pour obtenir plus de renseignements sur l'évacuation d'une sècheuse, consulter le document W10100920 de Whirlpool.

INSTALLATION DES PIEDS DE NIVELLEMENT ET DE LA BOÎTE À MONNAIE

⚠ AVERTISSEMENT

Risque du poids excessif

Utiliser deux ou plus de personnes pour déplacer et installer la sècheuse.

Le non-respect de cette instruction peut causer une blessure au dos ou d'autre blessure.

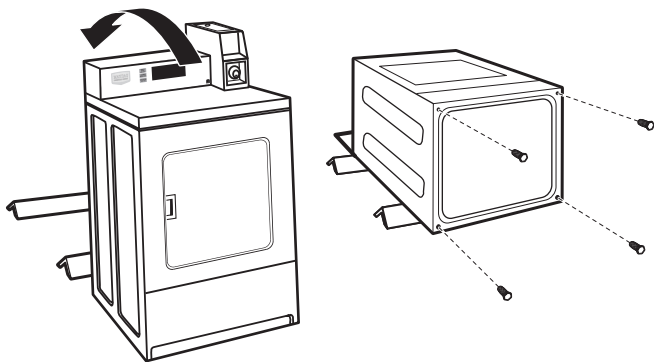
1. Préparation de la sècheuse pour les pieds de nivellement

REMARQUE : Faire glisser la sècheuse sur le carton ou le panneau dur avant de la déplacer pour éviter d'endommager la surface du plancher.

À l'aide d'au moins deux personnes, déplacer la sècheuse à l'emplacement d'installation souhaité.

Retirer le ruban des coins avant de la sècheuse. Ouvrir la sècheuse et ôter les sachets de pièces et le document de référence. Essuyer l'intérieur du tambour avec un chiffon humide pour éliminer toute trace de poussière.

Utiliser deux coins en carton de la boîte d'emballage de la sècheuse et les placer sur le plancher, à l'arrière de la sècheuse. Saisir fermement le corps de la sècheuse et l'allonger doucement sur sa partie postérieure sur les coins de carton. Déconnecter la source de courant électrique avant de réaliser les connexions électriques.



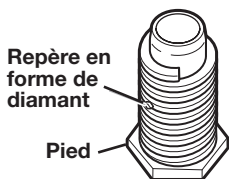
(L'apparence peut varier)

2. Vissage des pieds de nivellement

Examiner les pieds de nivellement pour trouver le repère en forme de diamant. Introduire manuellement les pieds dans les trous des pieds. Utiliser une clé à molette ou une clé de 1 po (25 mm) pour faire tourner les pieds jusqu'à ce que la marque de repérage (losange) ne soit plus visible. Placer ensuite un capuchon bottine sur chaque pied.

Repère en forme de diamant

Pied



Pour protéger le plancher, utiliser un grand morceau de carton provenant de l'emballage de la sécheuse. Redresser la sécheuse sur le morceau de carton. Faire glisser la sécheuse jusqu'à ce qu'elle se trouve à proximité de son emplacement final. Laisser suffisamment d'espace pour pouvoir réaliser le raccordement électrique et du conduit d'évacuation.

Un pied de nivellement plus long peut, au besoin, être obtenu pour les surfaces très inclinées (numéro de pièce 279810).

3. Installation du dispositif de sécurité supplémentaire

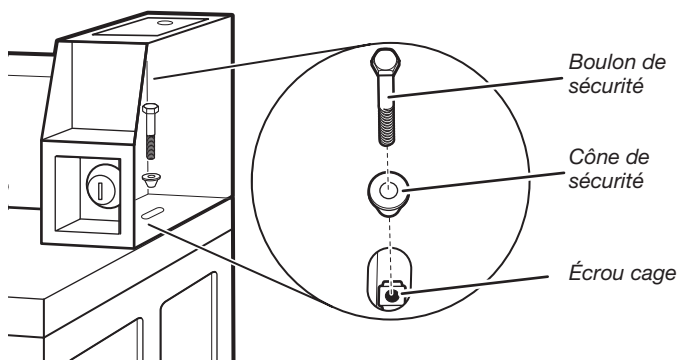
Vérifier que l'alimentation de la sécheuse soit coupée.

Ouvrir et retirer la porte de service.

Placer le cône de sécurité en orientant la petite partie vers le bas, par-dessus le trou de forme allongée dans la partie inférieure arrière du boîtier du compteur.

Introduire le boulon de sécurité dans ce cône et l'enfiler manuellement dans l'écrou cage, sous l'ouverture de forme allongée.

Serrer le boulon de sécurité de quelques tours à la main avant d'utiliser une clé pour serrer fermement.



Boulon de sécurité

Cône de sécurité

Écrou cage

REMARQUE : L'installation du boulon de sécurité offre une sécurité supplémentaire, mais représente aussi un délai supplémentaire pour une réparation éventuelle, lorsqu'il faut retirer ou soulever le dessus pour réparer la sécheuse.

MISE À NIVEAU

Niveler votre sécheuse pour réduire de façon adéquate le niveau sonore et les vibrations excessifs.

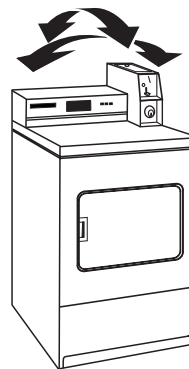
⚠ AVERTISSEMENT

Risque du poids excessif

Utiliser deux ou plus de personnes pour déplacer et installer la sécheuse.

Le non-respect de cette instruction peut causer une blessure au dos ou d'autre blessure.

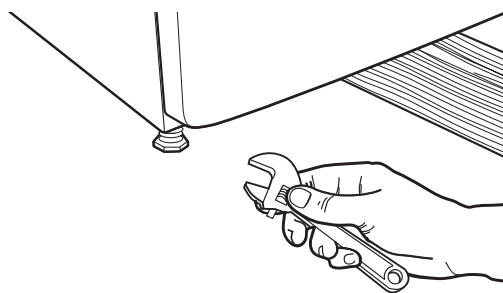
1. Enlever le morceau de carton placé sous la sécheuse. Placer un niveau sur les bords supérieurs de la sécheuse en vérifiant chaque côté et l'avant. Si elle n'est pas d'aplomb, faire basculer la sécheuse et régler les pieds vers le haut ou le bas comme indiqué à l'étape 3, puis recommencer si nécessaire.
2. Saisir la sécheuse par le dessus et la faire basculer d'avant en arrière tout en s'assurant que les quatre pieds sont en contact fermes avec le sol. Faire de nouveau basculer la sécheuse transversalement. Si la sécheuse bascule, passer à l'étape 3 et ajuster les pieds de nivellement.



(L'apparence peut varier)

3. Si la sécheuse n'est pas d'aplomb, utiliser une clé ouverte de 1 po (25 mm) ou une clé à molette pour faire tourner les pieds de nivellement en sens antihoraire pour abaisser la sécheuse ou horaire pour la surélever. Vérifier de nouveau l'aplomb de la sécheuse et s'assurer que les 4 pieds touchent fermement le sol. Répéter si nécessaire.

CONSEIL UTILE : Il serait judicieux de soulever l'avant de la sécheuse d'environ 4 po (102 mm) à l'aide d'un bloc de bois ou un objet semblable qui pourra soutenir le poids de l'appareil.



RACCORDEMENT DE L'ALIMENTATION EN GAZ

Raccordement au gaz

⚠ AVERTISSEMENT



Risque d'explosion

Utiliser une canalisation neuve d'arrivée de gaz approuvée par CSA International.

Installer un robinet d'arrêt.

Bien serrer chaque organe de connexion de la canalisation de gaz.

En cas de connexion au gaz propane, demander à une personne qualifiée de s'assurer que la pression de gaz ne dépasse pas 330 mm (13 po) de la colonne d'eau.

Par personne qualifiée, on comprend :

le personnel autorisé de chauffage,
le personnel autorisé d'une compagnie de gaz, et
le personnel d'entretien autorisé.

Le non-respect de ces instructions peut causer un décès, un explosion ou un incendie.

1. Retirer le capuchon rouge de la canalisation de gaz de la sècheuse.
2. Raccorder l'alimentation en gaz à la sècheuse. Utiliser un composé d'étanchéité de tuyauterie approuvé pour le type de gaz utilisé. Si on utilise un conduit métallique flexible, veiller à ce qu'il ne soit pas pincé. Si nécessaire pour une intervention d'entretien ou de réparation, selon le modèle :
Ouvrir la plinthe en ôtant les vis à tête hexagonale de 2 ¼ po du fond du panneau. Soulever ensuite le panneau tout en tirant le fond du panneau hors de la sècheuse.
OU
Ouvrir la plinthe. Appuyer sur le dispositif de verrouillage de la plinthe avec un couteau à mastic pour l'ouvrir – le dispositif se trouve sur la partie supérieure centrale de la plinthe. Tirer la plinthe vers le bas pour l'ouvrir. La plinthe comporte une charnière sur sa partie inférieure.
3. Ouvrir le robinet d'arrêt de la canalisation d'alimentation en gaz et s'assurer que l'entrée en gaz de la sècheuse est aussi ouverte.
4. Vérifier tous les raccords en les badigeonnant d'une solution de détection des fuites non corrosive approuvée. La formation de bulles indique la présence d'une fuite. Éliminer toute fuite détectée.

Type de gaz

Cette sècheuse est équipée pour une alimentation au gaz naturel. Sa conception est homologuée par CSA International pour l'alimentation au gaz propane ou butane avec conversion appropriée. Ne pas entreprendre de convertir la sècheuse pour une utilisation avec un gaz différent de celui indiqué sur la plaque signalétique sans consulter le fournisseur de gaz au préalable. L'opération de conversion doit être exécutée par un technicien de réparation qualifié.

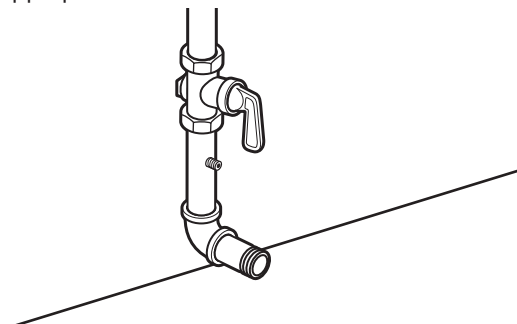
Consulter la liste des pièces ou visiter le

www.whirlpool.com pour connaître les numéros de pièce de la trousse de conversion.

Conduite de gaz

Méthode recommandée

Installer une canalisation de gaz rigide de 1/2 po (13 mm) jusqu'à l'emplacement d'installation de la sècheuse. On doit utiliser un composé d'étanchéité des tuyauteries résistant à l'action du gaz propane. Ne pas utiliser de ruban TEFLON[†]. Pour l'alimentation au propane, le diamètre des canalisations ou tuyaux doit être de 1/2 po (13 mm) minimum. En général, le fournisseur de gaz propane détermine les matériaux à utiliser et le diamètre approprié.



Essai de pression de la canalisation de gaz

Un piquage bouché de 1/8 po (3 mm) NPT minimum, accessible pour le contrôle de pression, doit être installé immédiatement en aval du robinet d'arrêt installé pour la sècheuse (comme illustré ci-dessous). Lors de toute épreuve de pressurisation du système à une pression supérieure à 1/2 lb/po² (352 kg/m²), on doit déconnecter la sècheuse de la tuyauterie de l'alimentation en gaz. Les pressions attendues pour l'entrée de gaz sont indiquées en pouces d'eau dans le tableau suivant :

	Gaz naturel	Gaz propane
Minimum	5,2 po (132,1 mm)	8,0 po (203,2 mm)
Maximum	10,5 po (266,7 mm)	13,0 po (330,2 mm)

Méthode alternative

L'alimentation en gaz peut aussi être raccordée à l'aide d'un conduit en cuivre ou en aluminium homologué de 3/8 po (10 mm). Si la longueur totale de la canalisation d'alimentation est supérieure à 20 pi (6,1 m), utiliser un conduit de taille supérieure

Pour le gaz naturel, ne pas utiliser de conduits en cuivre. On doit utiliser un composé d'étanchéité des tuyauteries résistant à l'action du gaz d'alimentation.

Robinet d'arrêt nécessaire

La canalisation d'alimentation doit comporter un robinet d'arrêt individuel manuel installé à 6 pi (1,8 m) maximum de la sècheuse conformément au National Fuel Gas Code, ANSI Z223.1. Le robinet doit se trouver dans la même pièce que la sècheuse. Il doit se trouver en un endroit facilement accessible pour les manœuvres d'ouverture/fermeture. Ne pas entraver l'accès au robinet d'arrêt manuel.

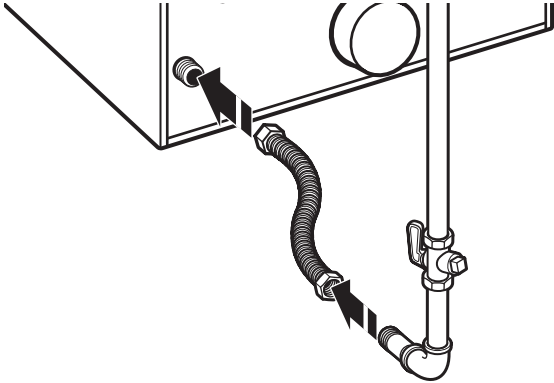
Au Canada, un robinet d'arrêt individuel doit être installé conformément aux codes d'installation B149.1 CAN/CGA B149.1 et CAN/CGA B149.2.

[†] TEFLON est une marque déposée de Chemours.

Raccord métallique flexible pour appareil ménager

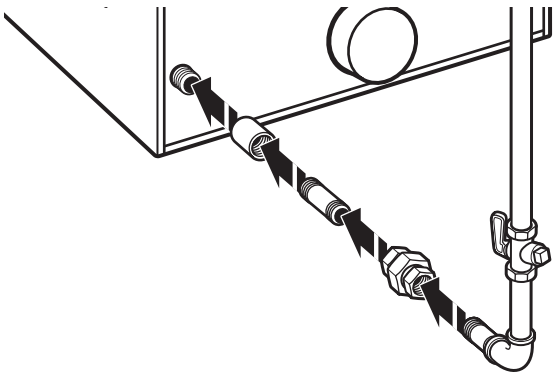
Il est recommandé d'utiliser une canalisation en acier inoxydable souple neuve, conception homologuée par CSA International, pour raccorder la sècheuse à la conduite d'alimentation en gaz. (La canalisation d'arrivée de gaz émergeant au niveau de la partie inférieure arrière de la sècheuse est dotée d'un filetage mâle de 3/8 po [10 mm]).

REMARQUE : Ne pas déformer/endommager la canalisation en acier inoxydable flexible lors du déplacement de la sècheuse.



Raccordement par conduit rigide

On doit utiliser une combinaison de raccords pour réaliser un raccordement aligné entre la sècheuse et la canalisation de gaz.



RACCORDEMENTS ÉLECTRIQUES DE LA SÈCHEUSE ÉLECTRIQUE – É-U. SEULEMENT

Raccordement du cordon d'alimentation

⚠ AVERTISSEMENT



Risque d'incendie

Utiliser un cordon d'alimentation électrique neuf homologué UL de 30 ampères.

Utiliser un réducteur de tension homologué UL.

Déconnecter la source de courant électrique avant de réaliser les connexions électriques.

Connecter le conducteur neutre (blanc ou conducteur central) à la borne centrale (argent).

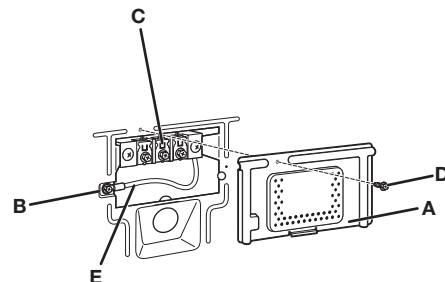
Le conducteur de liaison à la terre (vert ou nu) doit être relié au connecteur vert de liaison à la terre.

Connecter les 2 conducteurs d'alimentation restants aux 2 bornes (or) restantes.

Bien serrer chaque organe de connexion du branchement électrique.

Le non-respect de cette instruction peut causer un décès, un incendie ou un choc électrique.

Retirer le couvercle du bornier



Avant de commencer, débrancher l'alimentation. Retirer la vis de retenue (D) et le couvercle du bornier (A).

A. Couvercle du bornier

B. Vis du conducteur de mise à la terre externe

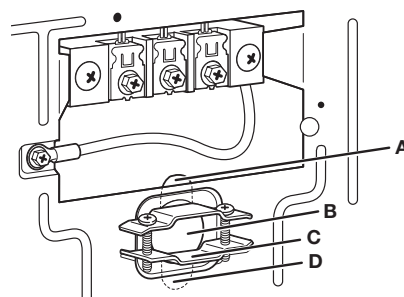
C. Vis de la borne centrale du bornier

D. Vis de retenue

E. Conducteur de terre neutre

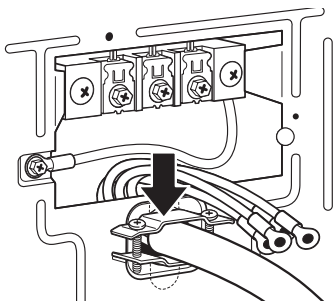
Serre-câbles du cordon d'alimentation

1. Insérer le serre-câbles.



Retirer les vis d'un serre-câbles homologué UL de 3/4 po (19 mm) UL (inscription UL sur le serre-câbles). Placer les languettes des deux moitiés de pince (C) dans le trou sous l'ouverture du bornier (B), de sorte qu'une d'entre elles pointe vers le haut (A) et l'autre vers le bas (D). Maintenir en place. Serrer les vis du serre-câbles juste assez pour maintenir ensemble les deux moitiés de pince (C).

2. Insérer le cordon d'alimentation dans le serre-câbles.



Passer le cordon d'alimentation à travers le serre-câbles. Vérifier que la gaine d'isolation du cordon d'alimentation rentre à l'intérieur du serre-câbles. Le serre-câbles doit être bien relié à la caisse de la sècheuse et se trouver en position horizontale. Ne pas visser davantage les vis du serre-câbles à ce stade.

Options de raccordement

Cordon d'alimentation

Prise à 4 conducteurs (Type NEMA 14-30R)
Lire la section « Raccordement du cordon d'alimentation ».

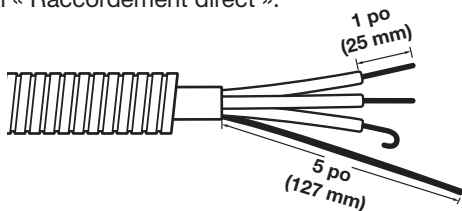


Prise à 3 conducteurs (Type NEMA 10-30R)
Lire la section « Raccordement du cordon d'alimentation ».

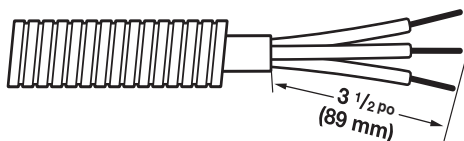


Raccordement direct

Direct – 4 fils
Lire la section « Raccordement direct ».



Direct – 3 fils
Lire la section « Raccordement direct ».



REMARQUE : Si les codes locaux n'autorisent pas le raccordement d'un conducteur de masse de la caisse au fil neutre, voir la section « Raccordement de la connexion à 3 fils : optionnel ». Ce raccordement peut servir pour un cordon d'alimentation ou une connexion directe des conducteurs.

Raccordement de la connexion à 4 fils : Cordon d'alimentation

IMPORTANT : Un raccordement à 4 fils est obligatoire lorsque les codes locaux n'autorisent pas l'utilisation de raccordements à 3 fils.

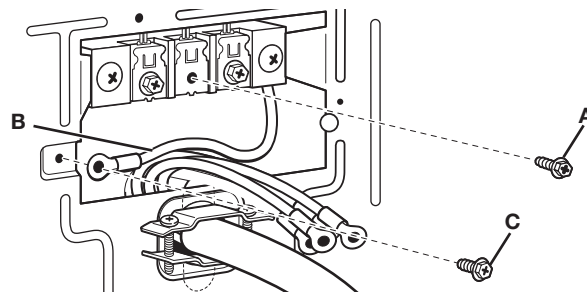
Connecteurs standard pour cordon d'alimentation



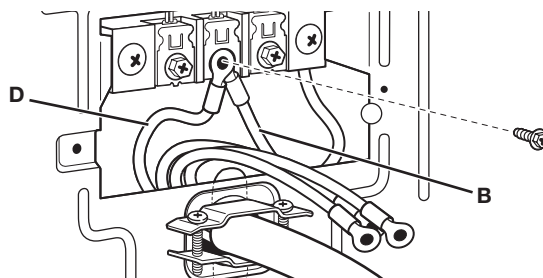
Connecteur à fourche et pointes relevées Connecteur rond

Raccordement du conducteur de mise à la terre et du conducteur neutre

1. Retirer la vis (A) de la borne centrale du bornier et le conducteur de terre neutre (B) en retirant la vis (C) du connecteur de terre externe.

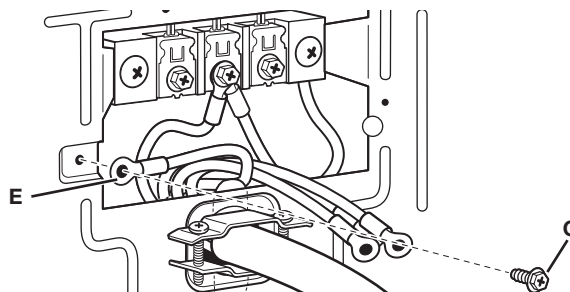


2. Connecter le conducteur terre neutre (B) et le conducteur neutre (blanc ou central) à la borne centrale du bornier. Serrer la vis.



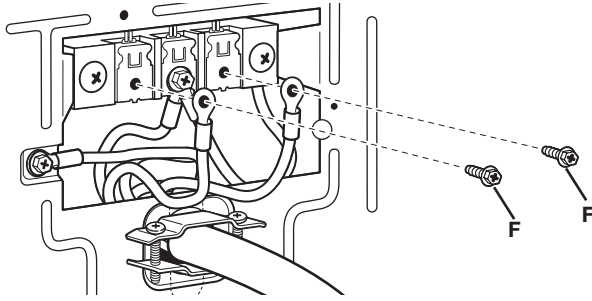
Connecter le conducteur de terre du cordon d'alimentation

3. Connecter le conducteur de mise à la terre (vert ou nu) (E) à la vis du connecteur de mise à la terre externe (C). Serrer la vis.



Connecter les conducteurs restants

4. Connecter les conducteurs restants au moyen des vis les plus à l'extérieur du bornier (F). Serrer les vis du serre-câbles autour du cordon d'alimentation. Enfin, réinstaller le couvercle du bornier et serrer la vis de retenue. Passer à la section « Achever l'installation ».



Raccordement de la connexion à 3 fils : Cordon d'alimentation

Connecteurs standard pour cordon d'alimentation



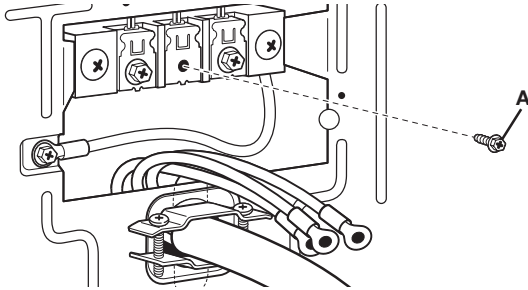
Connecteur à fourche et pointes relevées



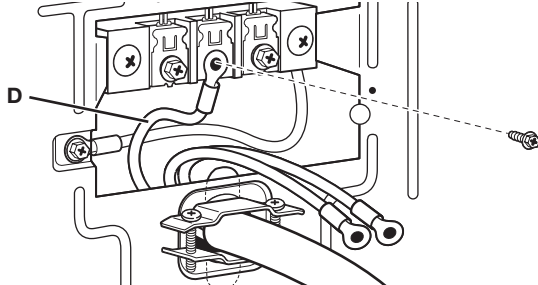
Connecteur rond

Raccordement du conducteur neutre

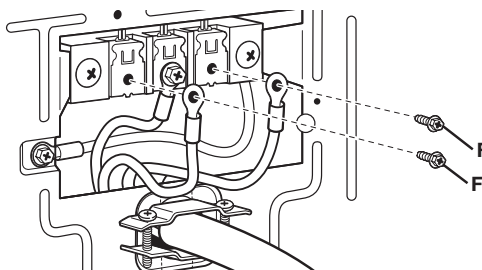
1. Desserrer ou retirer la vis de la borne centrale du bornier (A).



2. Connecter le conducteur neutre blanc (blanc ou conducteur central) (D) à la borne centrale (argent). Serrer la vis.



3. Connecter les conducteurs restants au moyen des vis les plus à l'extérieur du bornier (F). Serrer les vis du serre-câbles autour du cordon d'alimentation. Enfin, réinstaller le couvercle du bornier et serrer la vis de retenue. Passer à la section « Achever l'installation ».



⚠ AVERTISSEMENT



Risque d'incendie

Utiliser du fil en cuivre solide de calibre 10.

Utiliser un réducteur de tension homologué UL.

Déconnecter la source de courant électrique avant de réaliser les connexions électriques.

Connecter le conducteur neutre (blanc ou conducteur central) à la borne centrale (argent).

Le conducteur de liaison à la terre (vert ou nu) doit être relié au connecteur vert de liaison à la terre.

Connecter les 2 conducteurs d'alimentation restants aux 2 bornes (or) restantes.

Bien serrer chaque organe de connexion du branchement électrique.

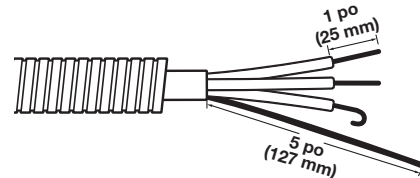
Le non-respect de cette instruction peut causer un décès, un incendie ou un choc électrique.

Options de raccordement

Raccordement direct

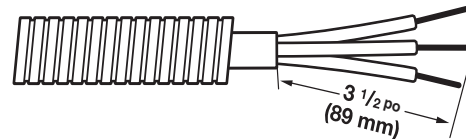
Direct – 4 fils

Lire la section « Raccordement de la connexion à 4 fils : câblage direct ».



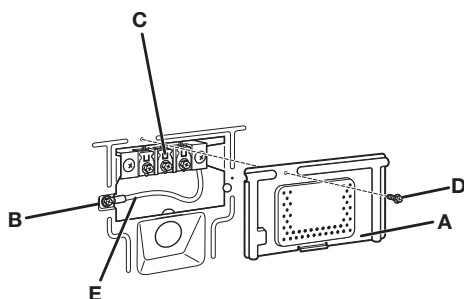
Direct – 3 fils

Lire la section « Raccordement de la connexion à 3 fils : câblage direct ».



REMARQUE : Si les codes locaux n'autorisent pas le raccordement d'un conducteur de masse de la caisse au fil neutre, voir la section « Raccordement de la connexion à 3 fils : optionnel ». Ce raccordement peut servir pour un cordon d'alimentation ou une connexion directe des conducteurs.

Retirer le couvercle du bornier

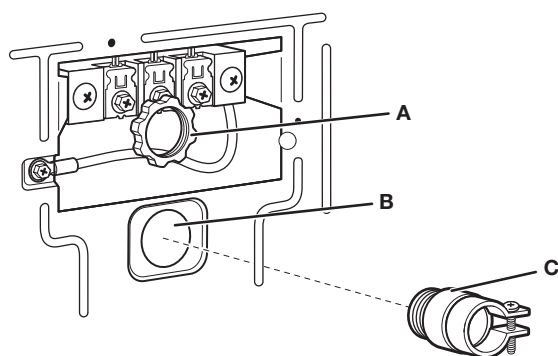


Avant de commencer, débrancher l'alimentation. Retirer la vis de retenue (D) et le couvercle du bornier (A).

- A. Couvercle du bornier
- B. Vis du conducteur de terre externe
- C. Vis de la borne centrale
- D. Vis de retenue
- E. Connecteur neutre de mise à la terre

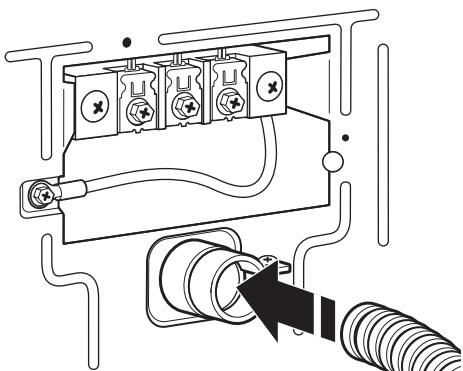
Serre-câbles pour câblage direct

1. Insérer le serre-câbles.



Dévisser le raccord de conduit amovible (A) et les vis d'un serre-câbles homologué UL (inscription UL sur le serre-câbles) de 3/4 po (19 mm). Visser la partie filetée du serre-câbles (C) dans le trou sous l'ouverture du bornier (B). En passant par l'ouverture du bornier, visser le connecteur de conduit amovible (A) sur le filetage du serre-câbles.

2. Insérer le conduit dans le serre-câbles et serrer la bride.



Passer le câble à raccordement direct à travers le serre-câbles. Le serre-câbles doit être bien relié à la caisse de la sècheuse et se trouver en position horizontale. Serrer la vis du serre-câbles autour du câble à raccordement direct.

Raccordement de la connexion à 4 fils : Raccordement direct

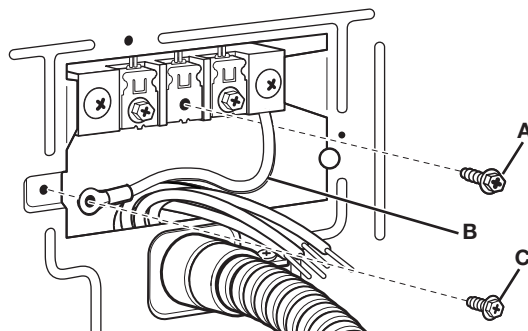
IMPORTANT : Un raccordement à 4 fils est obligatoire lorsque les codes locaux n'autorisent pas l'utilisation de raccordements à 3 fils.

Le câble à raccordement direct doit avoir une longueur supplémentaire de 5 pi (1,52 m) pour pouvoir déplacer la sècheuse si nécessaire.

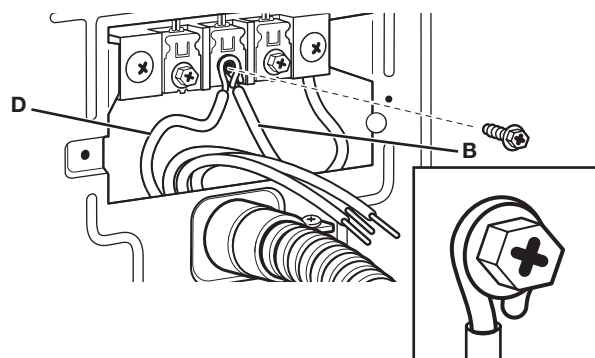
Dénuder une longueur de 5 po (127 mm) de gaine extérieure à l'extrémité du câble, en laissant le conducteur de mise à la terre nu à la longueur de 5 po (127 mm). Couper 1 1/2 po (38 mm) des trois conducteurs restants. Dénuder les conducteurs sur une longueur de 1 po (25 mm). Former des crochets aux extrémités des conducteurs.

Raccordement du conducteur de terre neutre et du conducteur neutre

1. Retirer la vis (A) de la borne centrale du bornier et le conducteur de terre neutre (B) en retirant la vis (C) du connecteur de terre externe.

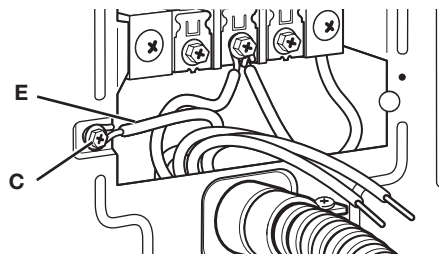


2. Connecter le conducteur de terre neutre (B) et placer l'extrémité en crochet (crochet orienté vers la droite) du conducteur neutre (blanc ou conducteur central) (D) sous la vis de la borne centrale (B). Rapprocher les extrémités du crochet. Serrer la vis.



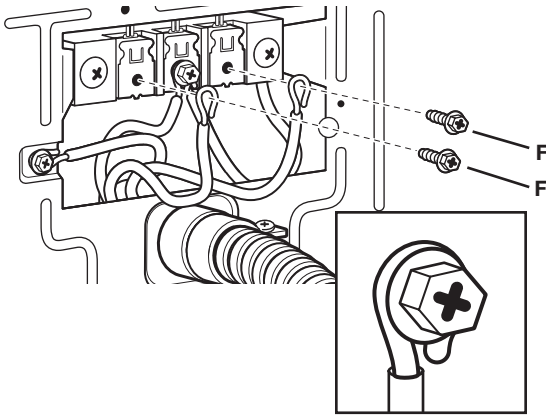
Raccordement direct du conducteur de terre

3. Connecter le conducteur de mise à la terre (vert ou nu) (E) à la vis du connecteur de mise à la terre externe (C). Serrer la vis.

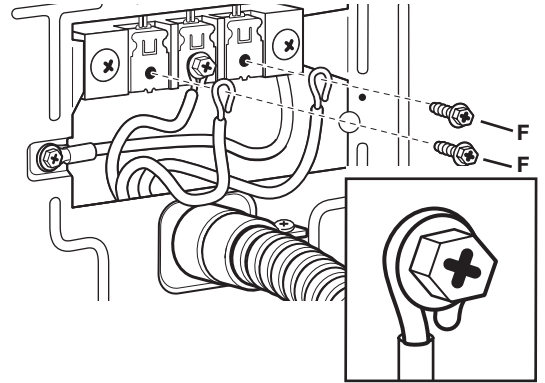


Connecter les conducteurs restants

- Placer les extrémités en crochet des conducteurs à raccordement direct (crochets orientés vers la droite). Rapprocher les extrémités en crochet et serrer les vis extérieures du boîtier (F). Enfin, réinstaller le couvercle du bornier et serrer la vis de retenue. Serrer les vis. Passer à la section « Achever l'installation ».



- Placer les extrémités en crochet des conducteurs à raccordement direct (crochets orientés vers la droite). Rapprocher les extrémités en crochet et serrer les vis extérieures du boîtier (F). Enfin, réinstaller le couvercle du bornier et serrer la vis de retenue. Serrer les vis. Passer à la section « Achever l'installation ».



Raccordement de la connexion à 3 fils : Raccordement direct

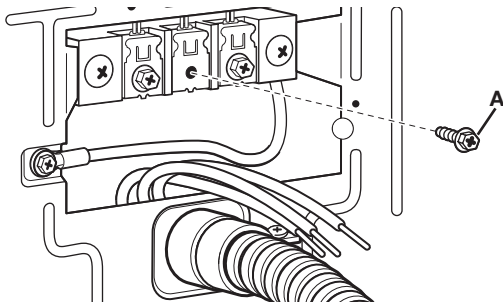
À utiliser lorsque les codes locaux autorisent la connexion du conducteur de masse de la caisse au conducteur neutre.

Le câble à raccordement direct doit avoir une longueur supplémentaire de 5 pi (1,52 m) pour pouvoir déplacer la sècheuse si nécessaire.

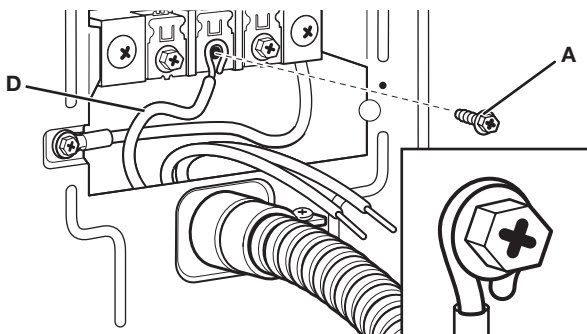
Dénuder une longueur de 3 1/2 po (89 mm) de gaine extérieure à l'extrémité du câble. Dénuder les conducteurs sur une longueur de 1 po (25 mm). Si un câble à 3 fils avec conducteur de mise à la terre est utilisé, couper le fil nu au même niveau que la gaine extérieure. Former des crochets aux extrémités des conducteurs.

Raccordement du conducteur neutre

- Desserrer ou retirer la vis de la borne centrale du bornier (A).



- Placer l'extrémité en crochet (crochet orienté vers la droite) du conducteur neutre (blanc ou conducteur central) (D) sous la vis de la borne centrale (A). Rapprocher les extrémités du crochet. Serrer la vis.

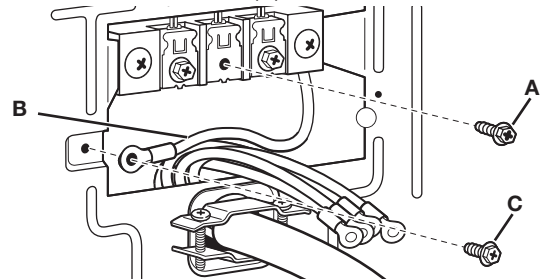


Raccordement de la connexion à 3 fils : en option

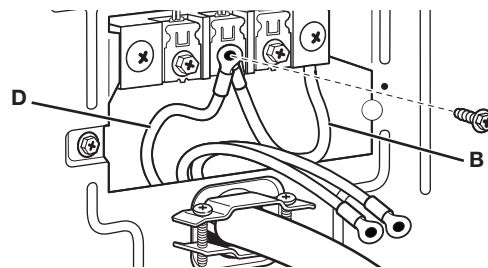
À utiliser pour le raccordement direct ou le cordon d'alimentation si les codes locaux ne permettent pas le raccordement du conducteur de terre de la caisse au neutre.

Raccordement du conducteur neutre

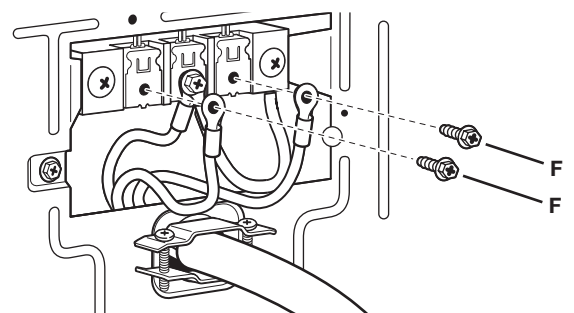
- Retirer la vis de la borne centrale (A). Retirer également le conducteur de terre neutre (B) en retirant la vis du conducteur de mise à la terre externe (C).



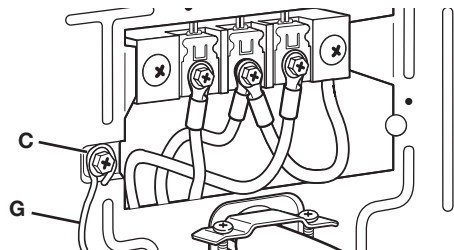
- Connecter le conducteur de terre neutre (B) et le conducteur neutre (blanc ou central) (D) du cordon/câble d'alimentation sous la borne centrale du bornier. Serrer la vis.



- Connecter les conducteurs restants sous le bornier extérieur. Resserrer les vis (F).



- Raccorder un autre conducteur de terre en cuivre (G) sous la vis de conducteur de terre externe (C) pour mise à la terre adéquate. Enfin, réinstaller le couvercle du bornier et serrer la vis de retenue. Passer à la section « Achever l'installation ».



FIN DE L'INSTALLATION

- Consulter les spécifications électriques. Vérifier que la tension électrique disponible est correcte et que la prise de courant est convenablement reliée à la terre. Consulter les « Spécifications électriques ».
- Vérifier que toutes les pièces sont maintenant installées. S'il reste une pièce, passer en revue les différentes étapes.
- Vérifier la présence de tous les outils.
- Éliminer/recycler tous les matériaux d'emballage.

⚠ AVERTISSEMENT



Risque de choc électrique

Brancher sur une prise à 3 alvéoles reliée à la terre ou 4 alvéoles reliée à la terre.

Ne pas enlever la broche de liaison à la terre.

Ne pas utiliser un adaptateur.

Ne pas utiliser un câble de rallonge.

Le non-respect de ces instructions peut causer un décès, un incendie ou un choc électrique.

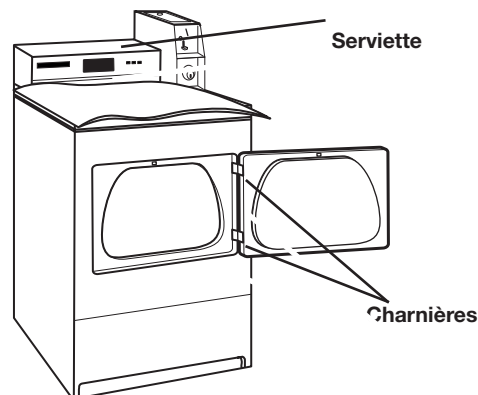
- Brancher sur une prise reliée à la terre ou connecter la source de courant électrique.
- Vérifier le bon fonctionnement de la sècheuse : Fermer la porte de la sècheuse. Régler le programme. La durée de fonctionnement s'allonge en fonction du nombre de pièces.
REMARQUE : La porte de la sècheuse doit être fermée pour que celle-ci puisse fonctionner. Si l'on ouvre la porte, la sècheuse s'arrête, mais la minuterie continue à fonctionner. Pour remettre la sècheuse en marche, fermer la porte et appuyer sur le bouton START (mise en marche).
- Ouvrir la porte de la sècheuse. Vérifier que l'intérieur de la sècheuse est chaud. Si le brûleur ne s'allume pas et qu'on ne ressent pas de chaleur à l'intérieur de la sècheuse, éteindre la sècheuse pendant 5 minutes. Vérifier que toutes les manettes des vannes d'alimentation sont en position ouverte « ON » (marche) et que le cordon électrique est branché. Effectuer de nouveau le test de 5 minutes.
- Si le temps de séchage est trop long, s'assurer que le filtre à charpie est propre et qu'il n'y a pas d'obstruction dans le système d'évacuation de l'air.
- Démarrer à nouveau la sècheuse et la laisser terminer un programme avec chaleur (pas un programme de séchage à l'air) pour s'assurer qu'elle fonctionne correctement.

INVERSION DU SENS D'OUVERTURE DE LA PORTE DE LA SÈCHEUSE (OPTIONNEL)

Au besoin, il est possible d'inverser le sens d'ouverture de la porte de la sècheuse.

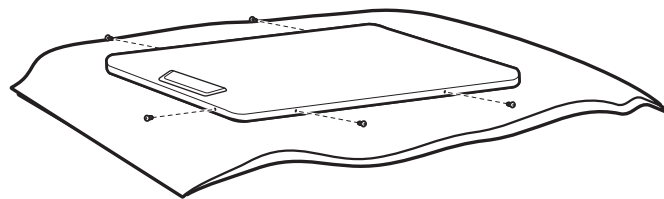
Retrait de la porte

- Placer une serviette ou un chiffon doux sur le dessus de la sècheuse ou du plan de travail pour éviter d'érafler la surface.
- Ouvrir la porte de la sècheuse. Ôter les vis inférieures du côté charnière de la caisse. Desserrer (ne pas retirer) les vis supérieures du côté charnière de la caisse.

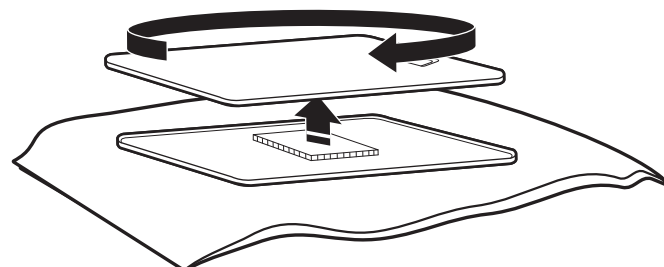


(L'apparence peut varier)

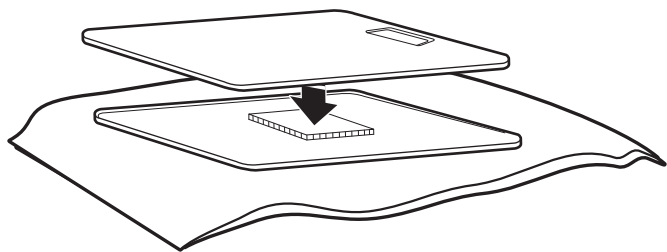
- Soulever la porte jusqu'à ce que les vis supérieures dans la caisse se trouvent dans la partie large de l'encoche de la charnière. Tirer vers l'avant pour dégager des vis. Placer la porte (côté poignée vers le haut) sur la serviette. Retirer les vis supérieures de la caisse.
- Retirer les vis fixant les charnières à la porte.
- Retirer les vis du sommet, du bas et du côté de la porte (5 vis).



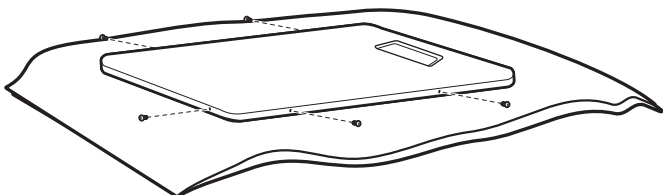
- Tout en maintenant la porte sur une serviette et sur la sècheuse, saisir les côtés de la porte externe et soulever doucement pour la séparer de la porte interne. Ne pas utiliser un couteau à mastic pour séparer les parties. Ne pas tirer sur le joint ou le pignon de retenue en plastique de la porte.



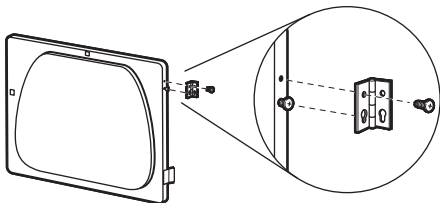
7. Veiller à maintenir la cale d'espacement en carton centrée entre les portes. Fixer à nouveau le panneau de porte à la porte interne de façon à ce que la poignée se trouve du côté où les vis viennent d'être retirées.



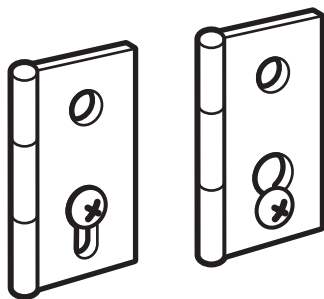
8. Replacer les vis du sommet, du bas et du côté de la porte (5 vis).



9. Fixer les charnières de porte à la porte de la sécheuse de façon à ce que le trou le plus gros se trouve au fond de la charnière et que l'axe de la charnière soit orienté vers l'avant de la porte.



10. Ôter les 4 vis fixant les 2 bouchons d'obturation du côté gauche. Fixer les bouchons d'obturation sur le côté droit à l'aide des mêmes 4 vis.
11. Insérer les vis dans les trous inférieurs du côté gauche de la caisse. Serrer les vis à moitié. Positionner la porte de façon à ce que le côté large de l'encoche de la charnière de porte se trouve au-dessus des vis. Faire glisser la porte vers le haut de façon à ce que les vis se trouvent au fond des encoches. Serrer les vis. Insérer les vis supérieures dans les charnières et les serrer.



12. Fermer la porte et vérifier que la gâche de la porte est alignée avec le pignon de retenue de la porte. Au besoin, faire glisser le pignon de retenue de la porte vers la gauche ou vers la droite à l'intérieur de l'encoche pour régler l'alignement.

INSTRUCTIONS D'ENTRETIEN

■ Nettoyer le filtre à charpie avant ou après chaque programme.

■ Comment enlever la charpie accumulée :

À l'intérieur de la caisse de la sécheuse :

Retirer la charpie tous les 2 ans, ou plus souvent, selon l'utilisation de la sécheuse. Le nettoyage doit être effectué par une personne qualifiée.

De l'intérieur du conduit d'évacuation :

Retirer la charpie tous les 2 ans, ou plus souvent, selon l'utilisation de la sécheuse.

■ Dégager l'espace autour de la sécheuse; aucune matière combustible, essence ou autres vapeurs ou liquides inflammables ne doit s'y trouver.

■ Dégager l'emplacement de la sécheuse de façon à ce qu'il soit libre de tout élément susceptible d'obstruer le débit d'air de combustion et de ventilation.

Si la sécheuse ne fonctionne pas, vérifier ce qui suit :

■ La prise de courant est correctement alimentée.

■ Le disjoncteur ne s'est pas déclenché et aucun fusible n'est grillé.

■ La porte est fermée.

■ Les commandes sont réglées à la position de marche ou « ON » (marche).

■ On a appuyé fermement sur le bouton START (mise en marche).

■ Pour les sécheuses à gaz, vérifier que le robinet d'arrêt est ouvert.

EN CAS DE BESOIN D'ASSISTANCE

Communiquez avec votre distributeur de produits de buanderie commerciaux autorisé. Pour localiser votre distributeur autorisé de buanderie à usage commercial ou pour toute question par Internet, consultez le www.whirlpoolcommerciallaundry.com.

Si vous ne parvenez pas à localiser un revendeur, le centre d'aide pour les appareils de buanderie à usage commercial répond à toute question qui n'aurait pas été abordée dans les Instructions d'installation au sujet du fonctionnement ou de l'entretien de la sécheuse.

Il suffit de composer le **1 800 NO BELTS (1 866 698-2538)** – l'appel est sans frais.

Lors de l'appel, vous aurez besoin des numéros de modèle et de série de la sécheuse. Ces deux numéros figurent sur la plaque signalétique située dans l'ouverture de la porte de la sécheuse.

INSTRUCTIONS DE CONFIGURATION DES COMMANDES ÉLECTRONIQUES (MODÈLES AVEC/SANS PIÈCE)

IMPORTANT

Circuits électroniques sensibles aux décharges électrostatiques (DES)

Le risque de décharge électrostatique est permanent. Une décharge électrostatique peut détruire ou détériorer les circuits électroniques de la machine. La nouvelle carte peut sembler fonctionner correctement après la réparation, mais une décharge électrostatique peut lui avoir fait subir des contraintes qui provoqueront une défaillance plus tard.

- Utiliser un bracelet de décharge électrostatique. Connecter le bracelet de décharge électrostatique au point vert de raccordement à la terre ou à une surface métallique non peinte à l'intérieur de l'appareil.

– OU –

Toucher avec le doigt à plusieurs reprises un point vert de raccordement à la terre ou une surface métallique non peinte à l'intérieur de l'appareil.

- Avant de retirer la pièce de son emballage, placer le sachet antistatique en contact avec un point vert de raccordement à la terre ou une surface métallique non peinte à l'intérieur de l'appareil.
- Éviter de toucher les composants électroniques ou les broches de contact; manipuler les circuits électroniques de la machine uniquement par les bords.
- Lors du remballage de circuits électroniques défectueux dans le sachet antistatique, observer les instructions ci-dessus.

INFORMATIONS GÉNÉRALES D'UTILISATION

AFFICHAGE VIDE – Ce problème indique que la sècheuse est défectueuse. Entrer au mode de réglage pour consulter le code de diagnostic.

« 0 MINUTES » **APPARAÎT SUR L’AFFICHAGE** – Cela indique que le programme précédent est terminé ou qu’une réinitialisation de la machine a été effectuée. L’ouverture de la porte restaurera l’affichage à l’état Vend Price (prix de vente) ou Available (disponible).

Configurations d’usine par défaut – La sècheuse est programmée à l’usine comme suit :

Durée de séchage de 5 minutes/pièce de 0,25 \$ (pièce 1)

Prix du séchage 1,50 \$ (programme fixe avec durée supplémentaire – Modèles avec pièces)

Prix du séchage 0,00 \$ (programme fixe – modèles sans pièce)

DÉMARRAGE À CHAUD (après une panne de courant) – Quelques secondes après le rétablissement de l’alimentation, si un programme était en cours au moment de la coupure, « RESELECT CYCLE » (resélectionner programme) clignote sur l’affichage, indiquant qu’il faut appuyer sur un bouton pour redémarrer la sècheuse.

Il existe quatre (4) types de prix pour la sècheuse : Prix de vente fixe

Une sècheuse réglée pour un fonctionnement en programme fixe accepte uniquement les durées supplémentaires accumulées par paliers égaux à la durée d’un programme de séchage complet. Un maximum de 75 minutes peut être acheté; aucun crédit supplémentaire n’est accordé pour les pièces insérées lorsque 75 minutes est affiché.

Prix par accumulation

Si le prix est défini sur une Pièce 1, alors le tarif par accumulation est en vigueur. La durée du programme peut être augmentée avec une pièce à la fois (modèles à pièces) jusqu’à

une durée maximale de 75 minutes.

Programme fixe avec prix de durée supplémentaire

Une sècheuse réglée pour proposer une fonctionnalité « Top Off » (durée supplémentaire) permet d’ajouter une durée à un programme de séchage existant par paliers égaux au nombre de minutes de durée de séchage par pièce de 0,25 \$ ou montant de débit, jusqu’à 75 minutes, quel que soit le coût nécessaire pour mettre en marche la sècheuse. Aucun crédit n’est accordé pour les pièces insérées ou les apports par carte de débit lorsque l’affichage indique 75 minutes.

En mode débit amélioré, le prix d’appoint peut être réglé indépendamment (voir VALEUR DE LA PIÈCE 2), et la durée de l’appoint est calculée en fonction de l’équation suivante :

$$\frac{\text{Durée d'appoint}}{\text{Durée du programme complet}} = \frac{\text{Prix d'appoint}}{\text{Prix programme complet}}$$

La compensation par incréments en cents ne s’applique pas aux achats d’appoint.

PROGRAMME GRATUIT – Cette fonction est établie en réglant le prix du programme sur zéro. Dans ce cas, « SELECT CYCLE » (sélectionner un programme) s’affiche à la place du prix du programme. En mode gratuit, un programme commencé se termine automatiquement à l’ouverture de la porte.

COMPATIBLE CARTE DE DÉBIT – Cette sècheuse est compatible avec les cartes de débit. Elle accepte divers systèmes de cartes de débit, mais est livrée SANS lecteur de carte de débit. Consulter le fabricant du lecteur de carte de débit pour une installation correcte avec la sècheuse. Dans les modèles convertis avec un système à carte de débit de 1^{re} génération, les impulsions de débit représentent l’équivalent d’une pièce (pièce 1).

Affichage

Une fois la sècheuse installée et branchée pour la première fois, l’affichage indique « 0 minutes. »

Modèles à une seule charge

CYCLES

HEAVY DUTY

HIGH HEAT

NORMAL

MEDIUM HEAT

DELICATES

LOW HEAT



0
MINUTES

Une fois la sècheuse branchée et sa porte ouverte puis fermée, l’affichage indique le prix. Sur les modèles réglés sur des programmes gratuits, l’affichage indique « SELECT CYCLE » (sélectionner programme) en clignotant (non illustré).

Modèles à une seule charge

CYCLES

HEAVY DUTY

HIGH HEAT

NORMAL

MEDIUM HEAT

DELICATES

LOW HEAT



PRICE
1.50

Procédures de configuration des commandes

IMPORTANT : Lire toutes les instructions avant la mise en marche.

Les boutons de réglage du tissu, associés à l’affichage numérique, servent à régler les commandes de la sècheuse. L’affichage peut contenir 4 chiffres ou lettres et un point décimal. Il indique les codes de configuration et les valeurs correspondantes pour la programmation de l’appareil.

Utilisation des boutons pour la programmation des commandes

1. Le bouton HEAVY DUTY (service intense) est utilisé pour régler les valeurs associées au code de configuration. En appuyant sur le bouton, la valeur change par paliers. Un réglage rapide est possible en maintenant le bouton enfoncé.
2. Le bouton NORMAL fait défiler les codes de configuration. Le code de configuration disponible suivant est atteint en appuyant sur ce bouton. Pour passer aux codes de configuration suivants à un rythme supérieur à un (1) par seconde, maintenir le bouton « NORMAL » enfoncé.
3. Le bouton DELICATES (articles délicats) sélectionne les options ou les annule.

Configuration en début d'exploitation

- Modèles avec pièce à une seule charge : insérer la clé de service dans la porte, la tourner et la soulever pour retirer la porte de service.
- Modèles avec pièces à une seule charge : Une fois le lecteur de carte de débit installé (conformément aux instructions du fabricant du lecteur), on peut entrer au mode de configuration en insérant une carte de configuration manuelle (fournie par le fabricant du lecteur) dans la fente d'insertion de carte. Si l'on ne dispose pas de carte de configuration manuelle, le mode de configuration manuel est accessible en retirant le connecteur J4 sur la carte de circuits.

La sècheuse est maintenant en mode configuration.

REMARQUE : Cette sècheuse est pré-réglée à l'usine et ne nécessite aucune programmation. Cependant, pour modifier les paramètres, suivre le guide des « Codes de configuration » suivant.

- Les modèles avec pièces sont pré-réglés en usine avec prix de programme fixe avec appoint.
- Les unités sans pièce sont pré-réglées pour un fonctionnement gratuit des programmes, donc elles peuvent être mises en service sans lecteurs ou pièces de monnaie.

Pour les modèles sans pièce : Les codes de configuration sont les mêmes que pour les modèles avec pièces, sauf indication contraire.

Le code de configuration est indiqué par un ou deux caractères à gauche. La valeur du code de configuration est indiquée par deux ou trois caractères à droite.

REMARQUE : Les codes de configuration marqués d'un * peuvent être transférés d'une machine à une autre (doivent être du même type de modèle) à l'aide d'une clé USB.

CODE	EXPLICATION
6 06	MONTANT NÉCESSAIRE POUR COMMENCER UN PROGRAMME NORMAL*
6 06	Représente le montant en pièces ou le débit de 1 ^{re} génération de la carte de débit nécessaire pour commencer le programme normal. Voir le réglage de la valeur de la pièce 1. Le réglage par défaut réglé en usine des modèles à pièces est 606 (demandé 6 pièces).
Appuyer une fois sur la touche NORMAL pour passer au code suivant.	
7 05	DURÉE DU PROGRAMME DE SÉCHAGE NORMAL*
7 05	Représente le nombre de minutes par pièce ou valeur de débit de 1 ^{re} génération d'un programme normal. Exemple – Réglage du montant de mise en marche d'un programme normal = 606 et Réglage de la durée de séchage d'un programme normal = 705, puis 6 X 5 = 30. La durée d'un programme normal est 30 minutes. Le réglage d'usine par défaut est 705 (5 minutes par pièce/montant débité). Peut être réglé de 01 à 75 en utilisant la touche Heavy Duty (service intense). MODELES SANS PIÈCE SEULEMENT : Valeur pré-réglée en usine pour 45 = 45 minutes.

CODE	EXPLICATION
Appuyer une fois sur la touche NORMAL pour passer au code suivant.	
2.00	ACCÈS AU MENU DU MODE D'AIDE Cette option est soit SÉLECTIONNÉE « ON » (activée), soit NON SÉLECTIONNÉE « OFF » (désactivée).
Appuyer une fois sur la touche NORMAL pour passer au code suivant.	

CONFIGURATION DES COMMANDES PAR USB

Pour accéder au menu de configuration USB, accéder au code de configuration 2.xx (tarif spécial en option). Appuyer sur la touche HEAVY DUTY (service intense) pour activer le sous-menu du mode d'aide. Le premier sous-mode du mode d'aide est l'option USB. Appuyer à tout moment sur la touche HEAVY DUTY (service intense) pour quitter le mode d'aide.

Sous-mode	Description	Remarque
USB	Sur cet écran, appuyer sur la touche HEAVY DUTY (service intense) pour accéder au menu USB. Le menu USB permet la mise à jour du logiciel et l'importation/exportation des paramètres de la machine.	Permet à l'utilisateur d'accéder au menu USB. Voir la section MENU USB pour plus d'infos.

MENU USB

Pour accéder au menu USB, passer par le mode Help (aide). Sur l'écran USB, appuyer sur la touche HEAVY DUTY (service intense). Pour avancer dans le sous-menu USB, utiliser la touche NORMAL. La touche DELICATES (articles délicats) est la touche Select (sélectionner). Appuyer à tout moment sur la touche HEAVY DUTY (service intense) pour quitter le menu USB. Voir la page 52 pour connaître l'emplacement du port USB sur l'appareil et les instructions pour installer une clé USB sur l'appareil et pour retirer une clé USB de l'appareil.

CODE	EXPLICATION
U0.00	Clé USB insérée? (État uniquement)
U0.00	Ce code s'affiche si la clé USB n'est PAS détectée.
U0.01	Ce code s'affiche si la clé USB est détectée.
Appuyer une fois sur la touche NORMAL pour passer au code suivant.	
U1.00	Mode de programmation
U1.00	Ce code s'affiche si la clé USB n'est PAS détectée.
U1.01	Ce code s'affiche si la clé USB est détectée. Si l'on souhaite reprogrammer les commandes, appuyer 3 fois sur la touche DELICATES (articles délicats). L'affichage bascule entre U1.01 et ProG pendant la mise à jour du MCA ou U1.01 et --.-- pendant la mise à jour de l'IU. Patienter jusqu'à la fin du processus, cela peut prendre plusieurs minutes. Une fois le logiciel téléchargé avec succès sur la machine, le contrôle peut prendre plusieurs minutes pour se réinitialiser. Après la réinitialisation complète, la machine revient en mode client ou en mode service en fonction de l'état du commutateur de service.
FCE4 ou FCE5	Si la programmation du logiciel a échoué, l'affichage bascule entre U1.01 et FCE4 ou FCE5.
Appuyer une fois sur la touche NORMAL pour passer au code suivant.	

CODE	EXPLICATION
U2.00	Exporter les paramètres de la machine sur une clé USB.
U2.00	Ce code s'affiche si la clé USB n'est pas détectée.
U2.01	Ce code s'affiche si la clé USB est détectée. Si l'on souhaite exporter les paramètres de la machine vers une clé USB, appuyer 3 fois sur la touche DELICATES (articles délicats). L'affichage bascule entre U2.01 et --.-- pendant l'exportation en cours.
DonE (terminé)	L'affichage bascule entre U2 et donE une fois l'exportation terminée avec succès.
FCE4 ou FCE5	Si l'exportation a échoué, l'affichage bascule entre U2.01 et FCE4 ou FCE5.
Appuyer une fois sur la touche NORMAL pour passer au code suivant.	
U3.00	Importer les paramètres de la machine de la clé USB.
U3.00	Ce code s'affiche si la clé USB n'est pas détectée.
U3.01	Ce code s'affiche si la clé USB est détectée. Si l'on souhaite importer les paramètres de la machine de la clé USB vers la machine, appuyer 3 fois sur la touche DELICATES (articles délicats). L'affichage bascule entre U3.01 et --.-- pendant l'importation en cours.
DonE (terminé)	L'affichage bascule entre U3 et donE une fois l'importation terminée avec succès.
FCE4 ou FCE5	Si l'importation a échoué, l'affichage bascule entre U3.01 et FCE4 ou FCE5.
Appuyer une fois sur la touche NORMAL pour passer au code suivant.	
U4.00	Exporter les données d'audit de la machine sur une clé USB.
U4.00	Ce code s'affiche si la clé USB n'est pas détectée.
U4.01	Ce code s'affiche si la clé USB est détectée. Si l'on souhaite exporter les données d'audit de la machine sur une clé USB, appuyer 3 fois sur la touche DELICATES (articles délicats). L'affichage bascule entre U4.01 et --.-- pendant l'exportation en cours.
DonE (terminé)	L'affichage bascule entre U4.01 et donE une fois l'exportation terminée avec succès.
FCE4 ou FCE5	Si l'exportation a échoué, l'affichage bascule entre U4.01 et FCE4 ou FCE5.

FIN DES OPÉRATIONS DE CONFIGURATION

QUITTER LE MODE DE CONFIGURATION

Modèles COIN à une seule charge : réinstaller la porte d'accès.

Modèles SANS PIÈCES à une seule charge :

- Débrancher la sècheuse ou déconnecter la source de courant électrique.
- Ouvrir la console, réinsérer la fiche dans le connecteur J4, fermer la console.
- Brancher la sècheuse ou reconnecter la source de courant électrique.

ACCÈS AU PORT USB

Si une clé USB est utilisée pour modifier les réglages des commandes électroniques

⚠ AVERTISSEMENT



Risque de choc électrique

Déconnecter la source de courant électrique avant l'entretien.

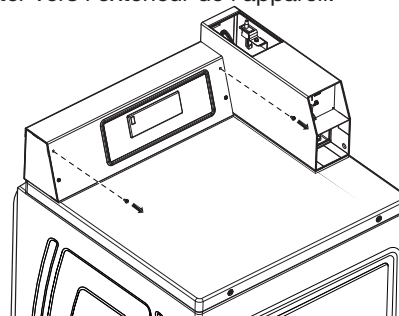
Remplacer pièces et panneaux avant de faire la remise en marche.

Le non-respect de ces instructions peut causer un décès ou un choc électrique.

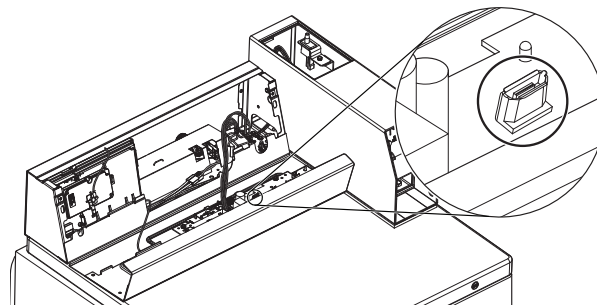
Pour installer ou retirer une clé USB

Le port USB est situé sur la carte de commande de l'affichage.

1. Retirer les deux vis pour permettre au panneau de façade de pivoter vers l'extérieur de l'appareil.



2. Poser le panneau de façade face vers le bas sur le panneau supérieur de l'appareil pour permettre l'accès au tableau de commande de l'interface utilisateur.
3. Installer la clé USB dans le port USB ou retirer la clé USB du port USB.



4. Replacer le panneau de façade sur l'appareil au moyen des deux vis retirées précédemment.

⚠ AVERTISSEMENT



Risque de choc électrique

Brancher sur une prise à 3 alvéoles reliée à la terre ou 4 alvéoles reliée à la terre.

Ne pas enlever la broche de liaison à la terre.

Ne pas utiliser un adaptateur.

Ne pas utiliser un câble de rallonge.

Le non-respect de ces instructions peut causer un décès, un incendie ou un choc électrique.

5. Brancher l'appareil sur une prise à 3 alvéoles reliée à la terre ou reconnecter la source de courant électrique.

SEGURIDAD DE LA SECADORA

Su seguridad y la seguridad de los demás es muy importante.

Hemos incluido muchos mensajes importantes de seguridad en este manual y en su electrodoméstico. Lea y obedezca siempre todos los mensajes de seguridad.



Este es el símbolo de alerta de seguridad.

Este símbolo le llama la atención sobre peligros potenciales que pueden ocasionar la muerte o una lesión a usted y a los demás.

Todos los mensajes de seguridad irán a continuación del símbolo de advertencia de seguridad y de la palabra "PELIGRO" o "ADVERTENCIA". Estas palabras significan:

▲ PELIGRO

Si no sigue las instrucciones de inmediato, usted puede morir o sufrir una lesión grave.

▲ ADVERTENCIA

Si no sigue las instrucciones, usted puede morir o sufrir una lesión grave.

Todos los mensajes de seguridad le dirán el peligro potencial, le dirán cómo reducir las posibilidades de sufrir una lesión y lo que puede suceder si no se siguen las instrucciones.



ADVERTENCIA – “Riesgo de Incendio”

- La instalación de la secadora de ropa debe ser realizada por un técnico calificado.
- Instalar la secadora de ropa de acuerdo con las instrucciones del fabricante.
- No instalar la secadora de ropa con materiales de ventilación de plástico. Si se instala ducto flexible metálico (tipo aluminio), éste debe ser de un tipo específico que sea avalado por el fabricante como apto para el uso con secadora de ropa. Los materiales de ventilación flexibles son bien conocidos por colapsarse, se aplastan fácilmente y retienen pelusa. Estas condiciones bloquearán el flujo de aire de la secadora e incrementarán el riesgo de incendio.
- Para reducir el riesgo de lesiones graves o muerte, siga todas las instrucciones de instalación.
- Guarde estas instrucciones.

- Se recomienda que el propietario coloque en un lugar a la vista las instrucciones para el uso del cliente en caso de que este perciba olor a gas. Esta información deberá obtenerse de su proveedor de gas.
- Coloque a la vista la siguiente advertencia.

FOR YOUR SAFETY

Do not store or use gasoline or other flammable vapors and liquids in the vicinity of this or any other appliance.

▲ ADVERTENCIA

Peligro de incendio

Si no se siguen las advertencias de seguridad con exactitud, se podrían producir lesiones graves, muertes o daños a la propiedad.

No instale un ventilador de refuerzo en el conducto de escape.

Instale todas las secadoras de ropa de acuerdo con las instrucciones de instalación del fabricante de las secadoras.

SEGURIDAD DE LA SECADORA

ADVERTENCIA:

PELIGRO DE INCENDIO O EXPLOSIÓN

Si no se siguen las advertencias de seguridad con exactitud, se podrían producir lesiones graves, muertes o daños a la propiedad.

- No almacene o use gasolina u otros líquidos y vapores inflamables cerca de éste u otro aparato electrodoméstico.
- PASOS QUE USTED DEBE SEGUIR SI HUELE A GAS:
 - No trate de encender ningún aparato electrodoméstico.
 - No toque ningún interruptor eléctrico; no use ningún teléfono en su edificio.
 - Desaloje a todos los ocupantes del cuarto, edificio o área.
 - Llame inmediatamente a su proveedor de gas desde el teléfono de un vecino. Siga las instrucciones de su proveedor de gas.
 - Si usted no puede comunicarse con su proveedor de gas, llame al departamento de bomberos.
- La instalación y el servicio deben ser efectuados por un instalador calificado, una agencia de servicio o por el proveedor de gas.

ADVERTENCIA: Las pérdidas de gas no siempre se pueden detectar por el olfato.

Los proveedores de gas recomiendan que usted use un detector de gas aprobado por UL (Laboratorio de normalización) o CSA (Asociación canadiense de seguridad).

Para obtener más información, póngase en contacto con su proveedor de gas.

Si se detecta una fuga de gas, siga las instrucciones de “Pasos que usted debe seguir si huele a gas”.

En el estado de Massachusetts se aplican las siguientes instrucciones de instalación:

- Las instalaciones y reparaciones se deben efectuar por un contratista, plomero o gasista calificado o licenciado por el estado de Massachusetts.
- Reemplace con dispositivos de cierre aceptables: las llaves de gas y las válvulas de bola instaladas para el uso deben estar en la lista.
- Si se usa un conector de gas flexible no debe exceder de 4 pies (121,9 cm).

IMPORTANTE: La instalación de gas debe cumplir con los códigos locales y en la ausencia de códigos locales, con el Código nacional de gas combustible (National Fuel Gas Code), ANSI Z223.1/NFPA 54 o el Código de instalación de gas natural y propano, CSA B149.1.

La secadora deberá estar conectada a tierra de acuerdo con los códigos locales, o en la ausencia de códigos locales, con el Código nacional eléctrico (National Electrical Code), ANSI/NFPA 70 o el Código canadiense de electricidad (Canadian Electrical Code), Parte 1, CSA C22.1.

INSTRUCCIONES IMPORTANTES DE SEGURIDAD

Antes de guardar o descartar su vieja secadora, quítele la puerta.

GUARDE ESTAS INSTRUCCIONES

SEGURIDAD DE LA SECADORA

INSTRUCCIONES DE SEGURIDAD IMPORTANTES

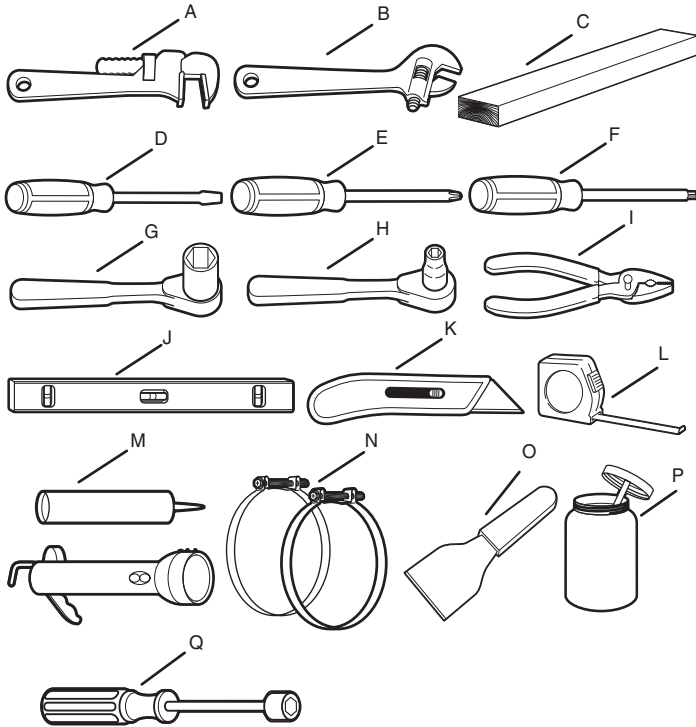
ADVERTENCIA: A fin de reducir el riesgo de incendio, choque eléctrico o de daño a las personas que usen la secadora, deben seguirse las precauciones básicas, incluidas las siguientes:

- Lea todas las instrucciones antes de usar la secadora.
- Esta secadora se ha diseñado solamente para secar ropa y materiales textiles que hayan sido lavados en agua. No la use para ningún otro propósito.
- **ADVERTENCIA:** Si usted siente olor a gas, no use la secadora ni ningún equipo eléctrico que esté cerca. Adverta a otras personas que deben despejar el área. Comuníquese inmediatamente con el dueño de la secadora.
- No coloque los objetos expuestos a aceite para cocinar en su secadora. Los objetos expuestos a aceites para cocinar pueden contribuir a una reacción química que podría causar que una carga se incendie. Para reducir el riesgo de incendio debido a cargas contaminadas, la parte final de un ciclo en la secadora se produce sin calor (período de enfriamiento). Evite detener una secadora antes de que termine el ciclo de secado a menos que todos los objetos se saquen y separen rápidamente de modo que el calor se disipe.
- No seque artículos que ya se hayan limpiado, lavado, remojado o manchado con gasolina, disolventes de limpieza en seco, u otras sustancias inflamables o explosivas ya que despiden vapores que pueden encenderse o causar una explosión.
- No seque en la secadora artículos que no hayan sido lavados.
- Riesgo de asfixia y lesiones por atrapamiento: No permita que los niños jueguen sobre o dentro del electrodoméstico. Es necesaria la cuidadosa vigilancia de los niños siempre que estén cerca cuando se use el electrodoméstico.
- Quite la puerta de la secadora al compartimiento de secado antes de ponerla fuera de funcionamiento o de descartarla.
- No introduzca las manos en la secadora cuando el tambor está en movimiento.
- No abra la puerta mientras la secadora esté funcionando. Se detendrá.
- No instale o almacene esta secadora en lugares donde quede expuesta a la intemperie.
- No altere los controles.
- Limpie el filtro de pelusa de la secadora antes o después de cada carga.
- No use piezas de repuesto que no hayan sido recomendadas por el fabricante (por ejemplo, piezas hechas en casa con una impresora 3D).
- No use esta secadora sin el filtro de pelusa en su lugar.
- No repare o reemplace ninguna pieza de la secadora ni trate de repararla a menos que esto se recomiende específicamente en estas instrucciones de instalación o en las instrucciones de reparación publicadas para el usuario que usted comprenda y solo si cuenta con la experiencia necesaria para llevar a cabo dicha reparación.
- No utilice suavizantes de telas o productos para eliminar la estática de prendas a menos que lo recomiende el fabricante del suavizante de telas o del producto en uso.
- No utilice calor para secar prendas que contengan goma espuma o materiales con textura similar a la goma.
- La parte final de un ciclo de rotación en la secadora ocurre sin calor, cool-down cycle (ciclo de enfriamiento), para asegurarse de que los artículos se dejen a una temperatura que asegure que no se dañarán.
- **ADVERTENCIA:** Nunca detenga una secadora que esté girando antes de que se termine el ciclo de secado, a menos que todos los artículos se hayan sacado y separado, para que se disipe el calor. (Evite los riesgos de combustión espontánea).
- Mantenga el área alrededor de la abertura de ventilación y las áreas adyacentes a esta abertura sin pelusas, polvo o tierra.
- La parte interior de la secadora y su ducto de ventilación se deben limpiar periódicamente por personal de servicio calificado.
- Consulte "Requisitos eléctricos" para obtener las instrucciones de conexión a tierra.
- **ADVERTENCIA: Riesgo de incendio.** No instale un ventilador de refuerzo en el ducto de escape.
NOTA: La advertencia del ventilador de refuerzo no se aplica a las secadoras de ropa diseñadas para ser instaladas en un sistema de secadora de ropa múltiple, con un sistema de conducto de escape diseñado que se instala según las pautas del fabricante de dicha secadora.

GUARDE ESTAS INSTRUCCIONES

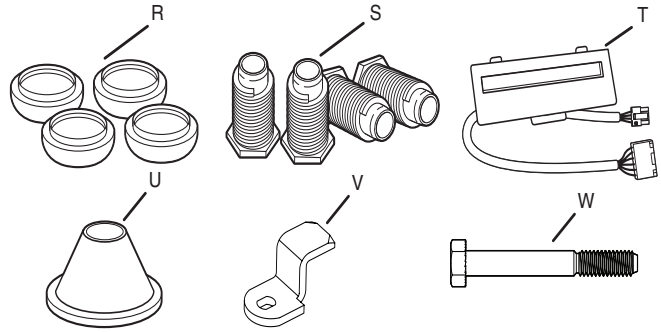
HERRAMIENTAS Y PIEZAS

Herramientas necesarias:



- A. Llave para tubos de 8" (200 mm) o 10" (250 mm)
- B. Llave ajustable de 8" (200 mm) o 10" (250 mm) que se abra a 1" (25 mm)
- C. Bloque de madera de 27" (686 mm)
- D. Destornillador de cabeza plana
- E. Destornillador Phillips
- F. Destornillador o broca de seguridad TORX® T20†
- G. Llave de cubo de cabeza hexagonal de 25 mm (1")
- H. Llave de tubo de 5/16" (8 mm)
- I. Pinzas (que se abran a 1⁹/₁₆" [39,7 mm])
- J. Nivel
- K. Cuchillo multiusos
- L. Regla o cinta para medir
- M. Pistola y masilla para calafateo (para instalar el nuevo ducto de escape)
- N. Abrazaderas para ducto
- O. Cuchillo para masilla
- P. Compuesto para unión de tuberías que sea adecuado para el tipo de gas
- Q. Sacatuercas de 1/4" (6 mm)

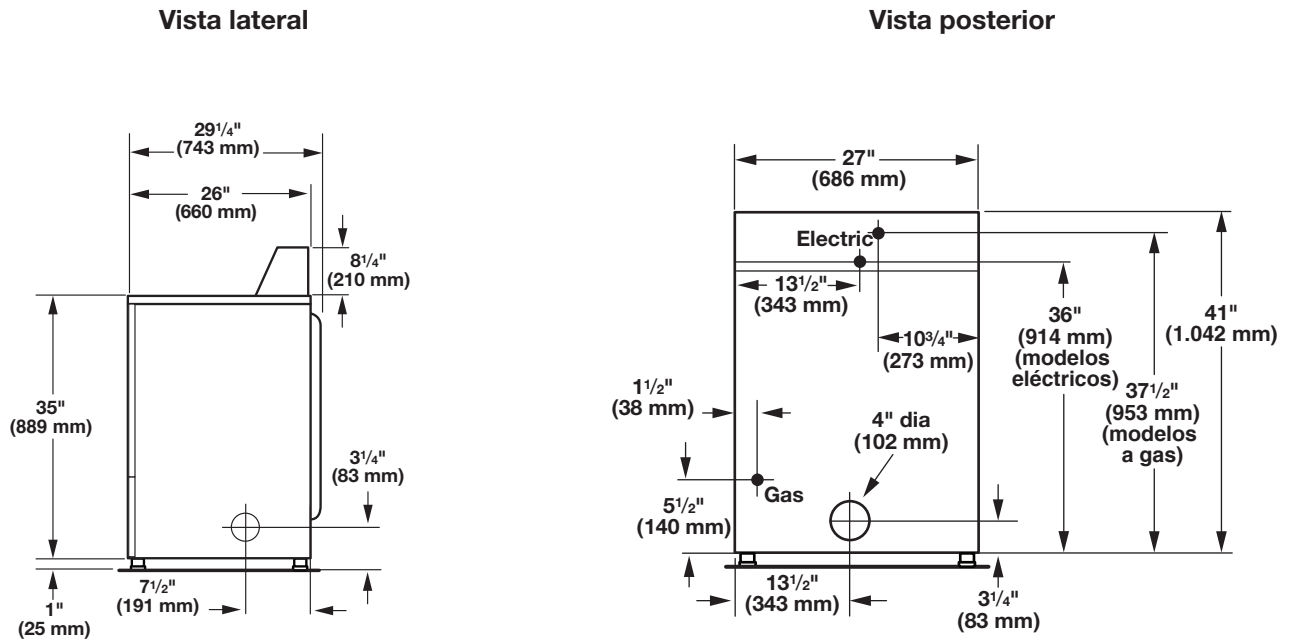
Piezas suministradas:



- R. Tapas protectoras (4)
- S. Patas niveladoras (4)
- T. Juego de panel (solo modelos sin monedas)
- U. Cono de seguridad (solo modelos de monedas)
- V. Leva del seguro (en algunos modelos)
- W. Perno de seguridad de cabeza hexagonal de 5/16", 18 x 2 1/2" (solo modelos de monedas)

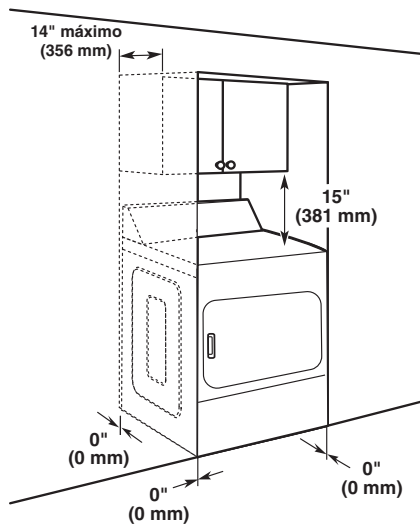
DIMENSIONES Y ESPACIOS LIBRES

Dimensiones

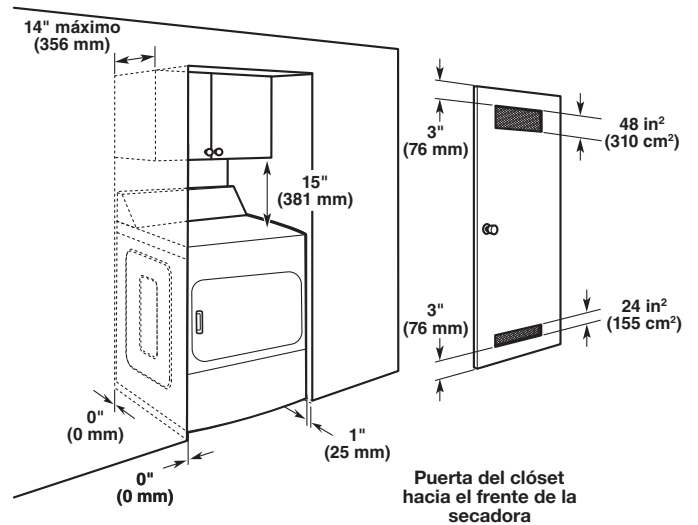


Espacios libres

Vista frontal, Apertura empotrada



Vista lateral, Empotrada en clóset



REQUISITOS DE UBICACIÓN

⚠ ADVERTENCIA



Peligro de Explosión

Mantenga los materiales y vapores inflamables, como la gasolina, lejos de la secadora.

No seque ningún artículo que haya tenido alguna vez cualquier sustancia inflamable (aún después de lavarlo).

Coloque la secadora a un mínimo de 18 pulgadas (460 mm) sobre el piso para la instalación en un garaje.

No seguir estas instrucciones puede ocasionar la muerte, explosión o incendio.

La secadora se puede instalar en un sótano, un cuarto para lavar o un lugar empotrado.

La secadora no ha sido diseñada para instalarse en una casa rodante. Se requiere un juego de adaptadores de acuerdo con estas instrucciones de instalación para que esta secadora se use en una casa prefabricada o rodante.

También se deberán tener en cuenta los requisitos para la ubicación de otro electrodoméstico que lo acompañe.

IMPORTANTE: No instale ni almacene la secadora en un lugar expuesto al agua o el clima. Usted es responsable de su correcta instalación.

Necesitará lo siguiente:

- Un tomacorriente eléctrico con conexión a tierra ubicado a una distancia máxima de 6 pies (1,8 m) del lugar donde el cable de alimentación está fijado a la parte trasera de la secadora. Consulte "Requisitos eléctricos".
- Un piso nivelado con un declive máximo de 1" (25 mm) debajo de la secadora completa. No se recomienda la instalación de la secadora en superficies de suelo suave, como alfombras o superficies con soporte de espuma.

Espacio libre en la instalación de la secadora

- El lugar debe ser lo suficientemente grande para permitir que la puerta de la secadora se abra completamente.
- Debe considerarse espacio adicional para facilitar la instalación y el mantenimiento. La puerta se abre más de 180°.
- Se podrían necesitar espacios libres adicionales para las molduras de la pared, de la puerta y del piso.
- Se recomienda dejar un espacio adicional de 1" (25 mm) en todos los lados de la secadora para reducir la transferencia de ruido.
- La parte trasera de la secadora deberá estar instalada contra una pared. Consulte las dimensiones y espacios mínimos de instalación en los diagramas.

Cuando instale una secadora a gas:

IMPORTANTE: Respete todas las normativas y reglamentos vigentes.

- Verifique los requisitos de las normativas: Algunas normativas limitan, o no permiten, la instalación de la secadora en garajes, armarios empotrados o dormitorios. Comuníquese con el inspector de construcciones de su localidad.

- Asegúrese de que los bordes inferiores del armario, además de los lados de la parte posterior e inferior de la secadora, estén libres de obstrucciones, para permitir el espacio adecuado de aberturas para la combustión de aire. Vea "Instrucciones para la instalación empotrada o en clóset" a continuación para los requisitos mínimos de espacio.

Instrucciones para la instalación empotrada y en clóset

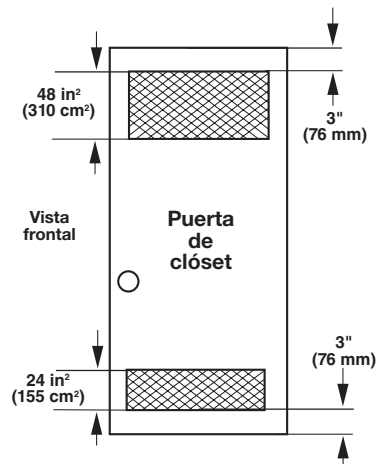
Esta secadora podrá instalarse en un área empotrada o en un clóset. Para las instalaciones en áreas empotradas y clósets, se pueden encontrar los espacios mínimos en la etiqueta de advertencia, en la parte posterior de la secadora o en la sección "Dimensiones y espacios libres".

El espacio de instalación es en pulgadas (centímetros) y es el mínimo permitido. Debe considerarse espacio adicional para facilitar la instalación, el mantenimiento y el cumplimiento de las normativas y reglamentos locales.

Si se instala la puerta del clóset, las aberturas mínimas de ventilación sin obstrucciones en la parte superior e inferior de la puerta deben quedar como se muestra en el diagrama de abajo. Se aceptan puertas tipo persianas con aberturas de aire equivalentes.

La secadora debe ventilarse al exterior.

No se puede instalar otro electrodoméstico que usa combustible en el mismo clóset en que se encuentra la secadora.



REQUISITOS ELÉCTRICOS DE LA SECADORA A GAS

⚠ ADVERTENCIA



Peligro de Choque Eléctrico

Conecte a un contacto de pared de conexión a tierra de 3 o 4 terminales.

No quite la terminal de conexión a tierra.

No use un adaptador.

No use un cable eléctrico de extensión.

No seguir estas instrucciones puede ocasionar la muerte, incendio o choque eléctrico.

IMPORTANTE: La secadora debe tener una conexión de electricidad a tierra de acuerdo con los códigos y las ordenanzas locales o, en ausencia de códigos locales, con el Código

nacional de electricidad (National Electrical Code), ANSI/NFPA 70, la última edición, o el Código canadiense de electricidad (Canadian Electrical Code), CSA C22.1. Si los códigos lo permiten y se emplea un cable de conexión a tierra separado, es recomendable que un instalador eléctrico competente determine si la ruta de conexión a tierra es adecuada.

Puede obtener una copia de las normas de los códigos antes indicados en:

National Fire Protection Association
One Batterymarch Park, Quincy, MA 02269

CSA International
8501 East Pleasant Valley Road
Cleveland, Ohio 44131-5575

- No conecte la descarga a tierra a un tubo de gas.
- No coloque un fusible en el circuito neutro o de conexión a tierra.
- Se necesita un circuito eléctrico de 120 V, 60 Hz, CA solamente, protegido con fusible de 15 A. También se recomienda usar un fusible retardador o disyuntor. Asimismo se recomienda el uso de un circuito independiente que preste servicio únicamente a esta secadora.
- Esta secadora viene equipada con un cable eléctrico dotado de un enchufe de 3 terminales con conexión a tierra.
- Para reducir al mínimo los posibles choques eléctricos, el cable se debe enchufar en un tomacorriente apropiado de pared de 3 terminales, conectado a tierra de acuerdo con los códigos y normas locales. Si no hay disponible un tomacorriente equivalente, es responsabilidad y obligación personal del cliente el hacer instalar un tomacorriente debidamente conectado a tierra por un electricista calificado.
- Si los códigos lo permiten y se emplea un cable de conexión a tierra separado, se recomienda que un electricista competente determine si la trayectoria de descarga a tierra es adecuada.
- Si no está seguro de que la conexión a tierra de la secadora sea la adecuada, verifique con un electricista competente.

Conexión a tierra de la secadora a gas

INSTRUCCIONES PARA LA CONEXIÓN A TIERRA

- Para la conexión de una secadora mediante cable eléctrico conectado a tierra:
Esta secadora debe estar conectada a tierra. En el caso de funcionamiento defectuoso o avería, la conexión a tierra reducirá el riesgo de choque eléctrico al proporcionar una vía de menor resistencia para la corriente eléctrica. Esta secadora está equipada con un cable que cuenta con un conductor para la conexión a tierra del equipo y un enchufe de conexión a tierra. El enchufe debe conectarse en un contacto apropiado, que esté debidamente instalado y conectado a tierra de acuerdo con todos los códigos y ordenanzas locales.

ADVERTENCIA: La conexión indebida del conductor para la conexión a tierra del equipo puede ocasionar un riesgo de choque eléctrico. Verifique con un electricista, representante o personal de servicio técnico calificado para asegurarse de que la conexión a tierra de la secadora sea apropiada. No modifique el enchufe proporcionado con la secadora. Si no encaja en el contacto, contrate un electricista calificado para que instale un contacto adecuado.

GUARDE ESTAS INSTRUCCIONES

REQUISITOS DE GAS

Suministro de gas

! ADVERTENCIA



Peligro de Explosión

Use una línea de suministro de gas nueva con aprobación CSA Internacional.

Instale una válvula de cierre.

Apriete firmemente todas las conexiones de gas.

Si se conecta a un suministro de gas propano, la presión no debe exceder una columna de agua de 330 mm (13 pulgada) y debe ser verificada por una persona calificada.

Ejemplos de una persona calificada incluyen: personal de servicio del sistema de calefacción con licencia, personal autorizado de la compañía de gas, y personal autorizado para dar servicio.

No seguir estas instrucciones puede ocasionar la muerte, explosión o incendio.

IMPORTANTE: Respete todas las normativas y reglamentos vigentes.

Esta instalación debe hacerse de acuerdo con todos los códigos y ordenanzas locales. Si no hay códigos locales, la instalación deberá hacerse de acuerdo al Código nacional estadounidense (American National Standard), el Código Nacional de Gas Combustible (National Fuel Gas Code), ANSI Z223.1/NFPA 54 o CAN/CSA B149.

Puede obtener una copia de las normas de los códigos antes indicados en:

National Fire Protection Association
One Batterymarch Park, Quincy, MA 02269

CSA International
8501 East Pleasant Valley Road
Cleveland, Ohio 44131-5575

El diseño de esta secadora ha sido certificado por CSA International para uso en altitudes que alcanzan los 10.000 pies (3048 m) sobre el nivel del mar, en la categoría de B.T.U. indicada en la placa del número de modelo/serie. No se requieren ajustes de la entrada del quemador cuando se usa la secadora hasta esta altitud.

Si se instala a un nivel superior a los 10 000 pies (3048 m) de altitud, se requiere una reducción de categoría de B.T.U. del cuatro por ciento (4 %) del quemador, que se muestra en la placa del número de modelo/serie, por cada incremento de 1000 pies (305 m) de altitud. Para obtener asistencia para convertir el aparato a otros tipos de gas y/o instalar el aparato a una altitud superior a 10.000 pies (3048 m), póngase en contacto con su compañía de servicio más cercana.

REQUISITOS ELÉCTRICOS DE LA SECADORA ELÉCTRICA (SOLO PARA EE. UU.)

Es su responsabilidad:

- Comunicarse con un instalador eléctrico calificado.
- Asegurarse de que la conexión eléctrica sea adecuada y de conformidad con el Código Nacional Eléctrico, ANSI/NFPA 70 (última edición) y con todos los códigos y ordenanzas locales.
- El Código Nacional Eléctrico requiere una conexión de suministro de energía eléctrica de 4 cables para aquellos hogares construidos después de 1996, para los circuitos de secadora que se hayan reformado después de 1996 y todas las instalaciones de casas rodantes.
- Puede obtener una copia de las normas de los códigos antes indicados en: National Fire Protection Association, One Batterymarch Park, Quincy, MA 02269.
- Proveer el suministro eléctrico requerido de 3 o 4 hilos, monofásico, de 120/240 V, 60 Hz, CA solamente (o un suministro eléctrico de 3 o 4 hilos, de 120/208 V, si se especifica en la placa indicadora de clasificación/de la serie) en un circuito separado de 30 A, protegido con fusibles en ambos lados de la línea. Se recomienda un fusible retardador o un cortacircuitos. Conectar a un circuito derivado individual.
- No coloque un fusible en el circuito neutro o de conexión a tierra.
- No utilice un cable de extensión.
- Si los códigos lo permiten y se emplea un cable de conexión a tierra separado, se recomienda que un electricista competente determine si la trayectoria de descarga a tierra es adecuada.

Conexión eléctrica

Para instalar su secadora adecuadamente, usted debe determinar el tipo de conexión eléctrica que va a usar y seguir las instrucciones que aquí se proveen para el caso.

- Esta secadora ha sido manufacturada lista para ser instalada en una conexión de suministro de energía eléctrica de 3 cables. El conductor neutro de conexión a tierra está permanentemente conectado al conductor neutro (cable blanco), dentro de la secadora. Si la secadora está instalada con una conexión de suministro eléctrico de 4 hilos, el conductor neutro de conexión a tierra se debe quitar del conector de conexión a tierra exterior (tornillo verde) y se debe ajustar debajo de la terminal neutra (cable central o blanco) del bloque de terminal. Cuando el conductor neutro de conexión a tierra esté ajustado debajo de la terminal neutra (cable central o blanco) del bloque de terminal, el gabinete de la secadora queda aislado del conductor neutro.
- Si los códigos locales no permiten la conexión de un cable neutro de conexión a tierra al cable neutro, consulte la sección "Conexión opcional de 3 cables".
- Deberá usarse una conexión con suministro eléctrico de 4 hilos cuando el aparato esté instalado en una ubicación en la cual esté prohibida la conexión a tierra a través del conductor neutro. Está prohibido hacer la puesta a tierra a través del conductor neutro para (1) las nuevas instalaciones de circuito derivado y (2) las áreas donde los códigos locales prohíben la conexión a tierra a través de conductores neutros.

Conexión a tierra de la secadora eléctrica

INSTRUCCIONES PARA LA CONEXIÓN A TIERRA

■ Para la conexión de una secadora mediante cable eléctrico conectado a tierra:
Esta secadora debe estar conectada a tierra. En el caso de funcionamiento defectuoso o avería, la conexión a tierra reducirá el riesgo de choque eléctrico al proporcionar una vía de menor resistencia para la corriente eléctrica. Esta secadora usa un cable que cuenta con un conductor para la conexión a tierra del equipo y un enchufe de conexión a tierra. El enchufe debe conectarse en un contacto apropiado, que esté debidamente instalado y conectado a tierra de acuerdo con todos los códigos y ordenanzas locales.

■ Para la conexión permanente de una secadora:
Esta secadora debe estar conectada a un sistema de cableado de metal permanente, conectado a tierra, o se debe tender un conducto para la conexión a tierra del equipo con los conductores de circuito y conectado al terminal de tierra del equipo o al conductor de suministro de la secadora.

ADVERTENCIA: La conexión indebida del conductor para la conexión a tierra del equipo puede ocasionar un riesgo de choque eléctrico. Verifique con un electricista, representante o personal de servicio técnico calificado para asegurarse de que la conexión a tierra de la secadora sea apropiada. No modifique el enchufe que viene con el cable eléctrico. Si no encaja en el contacto, contrate un electricista calificado para que instale un contacto adecuado.

GUARDE ESTAS INSTRUCCIONES

Cable eléctrico de la secadora eléctrica

⚠ ADVERTENCIA



Peligro de Incendio

Use un cable de suministro eléctrico nuevo de 30 amperios que esté en la lista de UL.

Use un protector de cables que esté en la lista de UL.

Desconecte el suministro eléctrico antes de hacer las conexiones eléctricas.

Conecte el alambre neutro (el blanco o el del centro) a la terminal central (plateada).

El alambre de tierra (el verde o el no aislado) se debe conectar con el conector verde de tierra.

Conecte los 2 alambres de suministro restantes con las 2 terminales restantes (las doradas).

Apriete firmemente todas las conexiones eléctricas.

No seguir estas instrucciones puede causar la muerte, incendio, o choque eléctrico.

Si emplea un cable eléctrico:

Use un juego de cable eléctrico que esté en la lista de UL, para ser usado con secadoras de ropa. El juego deberá incluir:

- Un cable eléctrico de 30 amperios que esté en la lista de UL, de 120/240 V, como mínimo. El cable deberá ser del tipo SRD o SRDT, y tener por lo menos 4 pies (1,22 m) de largo. Los cables que lo conectan a la secadora deben acabar en terminales de anillo o de horquilla en forma de "U" con los extremos hacia arriba.
- Un protector de cables que esté en la lista de UL.

Si el contacto de pared luce como este:



Contacto de 4 hilos (14-30R)

Entonces elija un cable de suministro eléctrico de 4 hilos con terminales de anillo o de horquilla y con protector de cables que esté en la lista de UL. El cable eléctrico de 4 hilos, de por lo menos 4 pies (1,22 m) de largo, debe tener cuatro hilos de cobre de calibre 10 y encajar en un tomacorriente para 4 hilos de NEMA Tipo 14-30R. El cable de conexión a tierra (conductor de conexión a tierra) debe ser verde o desnudo. Se deberá indicar el conductor neutro con una cubierta blanca.

Si el contacto de pared luce como este:



Contacto de 3 alambres (10-30R)

Entonces elija un cable de suministro eléctrico de 3 alambres con terminales de anillo o de horquilla y con protector de cables que esté en la lista de UL. El cable eléctrico de 3 hilos, de por lo menos 4 pies (1,22 m) de largo, debe tener 3 hilos de cobre de calibre 10 y encajar en un tomacorriente para 3 hilos de NEMA Tipo 10-30R.

Cable directo

⚠ ADVERTENCIA



Peligro de Incendio

Utilice alambre de cobre de calibre 10.

Use un protector de cables que esté en la lista de UL.

Desconecte el suministro eléctrico antes de hacer las conexiones eléctricas.

Conecte el alambre neutro (el blanco o el del centro) a la terminal central.

El alambre de tierra (el verde o el no aislado) se debe conectar con el conector verde de tierra.

Conecte los 2 alambres de suministro restantes con las 2 terminales restantes (las doradas).

Apriete firmemente todas las conexiones eléctricas.

No seguir estas instrucciones puede causar la muerte, incendio o choque eléctrico.

Si hace la conexión con cableado directo:

El cable eléctrico debe ser igual al suministro eléctrico (de 4 hilos o de 3 hilos) y debe ser:

- Cable blindado flexible o cable de cobre forrado no metálico (con cable de conexión a tierra), cubierto con un conducto metálico flexible. Todos los cables conductores de corriente deben estar aislados.
- Alambre de cobre sólido de calibre 10 (no utilice aluminio).
- Al menos 5 pies (1,52 m) de longitud.

REQUISITOS ELÉCTRICOS PARA LA SECADORA ELÉCTRICA (SOLAMENTE EN CANADÁ)

⚠ ADVERTENCIA



Peligro de Choque Eléctrico

Conecte a un contacto de pared de conexión a tierra de 4 terminales.

No seguir estas instrucciones puede ocasionar la muerte, incendio o choque eléctrico.

Requisitos eléctricos – Solo para Canadá

Es su responsabilidad:

- Comunicarse con un instalador eléctrico calificado.
- Asegurarse de que la conexión eléctrica sea adecuada y de conformidad con el Código eléctrico canadiense, C22.1, última edición y con todos los códigos locales. Usted puede obtener una copia de todas las normas arriba indicadas en: Asociación canadiense de normalización (Canadian Standards Association), 178 Rexdale Blvd., Toronto, ON M9W 1R3 CANADÁ.
- Proveer el suministro eléctrico requerido de 4 cables, monofásico, de 120/240 V, 60 Hz, CA solamente en un circuito separado de 30 A, protegido con fusibles en ambos lados de la línea. Se recomienda un fusible retardador o un cortacircuitos. Conectar a un circuito derivado individual.
- La secadora está equipada con un cable de suministro de energía certificado por CSA International para ser enchufado en un tomacorriente de pared estándar tipo 14-30R. El cable tiene 5 pies (1,52 m) de largo. Cerciórese que haya un tomacorriente de pared al alcance de la ubicación final de la secadora".
- No use un cable eléctrico de extensión. Si está usando un cable eléctrico de repuesto, se le recomienda usar el Cable eléctrico de repuesto, consulte la lista de piezas www.whirlpool.com. Para obtener más información, consulte los números de servicio ubicados en la sección "Ayuda o servicio técnico".



Contacto de 4 hilos (14-30R)

INSTRUCCIONES PARA LA CONEXIÓN A TIERRA

- Para la conexión de una secadora mediante cable eléctrico conectado a tierra:
Esta secadora debe estar conectada a tierra. En el caso de funcionamiento defectuoso o avería, la conexión a tierra reducirá el riesgo de choque eléctrico al proporcionar una vía de menor resistencia para la corriente eléctrica. Esta secadora está equipada con un cable que cuenta con un conductor para la conexión a tierra del equipo y un enchufe de conexión a tierra. El enchufe debe conectarse en un contacto apropiado, que esté debidamente instalado y conectado a tierra de acuerdo con todos los códigos y ordenanzas locales.

ADVERTENCIA: La conexión indebida del conductor para la conexión a tierra del equipo puede ocasionar un riesgo de choque eléctrico. Verifique con un electricista, representante o personal de servicio técnico calificado para asegurarse de que la conexión a tierra de la secadora sea apropiada. No modifique el enchufe proporcionado con la secadora. Si no encaja en el contacto, contrate un electricista calificado para que instale un contacto adecuado.

GUARDE ESTAS INSTRUCCIONES

REQUISITOS DE VENTILACIÓN DE LA SECADORA

⚠ ADVERTENCIA



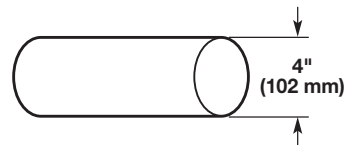
Peligro de Incendio

- Use un ducto de escape de metal pesado.
- No use un ducto de escape de plástico.
- No use un ducto de escape de aluminio.
- No seguir estas instrucciones puede ocasionar la muerte o incendio.

ADVERTENCIA: Para reducir el riesgo de incendio, esta secadora DEBE VENTILARSE EN EL EXTERIOR.

IMPORTANTE: Respete todas las normativas y reglamentos vigentes.

El conducto de ventilación de la secadora no debe conectarse en ningún conducto de gas, chimenea, pared, techo, desván, techo falso o el espacio oculto de un edificio. Deberá usarse solamente un ducto de metal rígido o flexible para la ventilación.



Ducto de escape de metal pesado de 4" (102 mm)

- Solo puede usarse un ducto de ventilación de metal pesado de 4" (102 mm) y abrazaderas.
- No utilice un conducto de ventilación de plástico ni de hoja de metal.

Conducto de ventilación de metal rígido:

- Se recomienda para un mejor rendimiento de secado y para evitar que se aplaste o se retuerza.

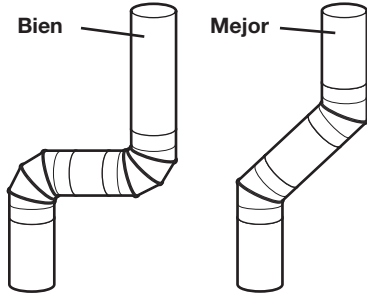
Conducto de ventilación de metal flexible: (Es aceptable solo si es accesible para la limpieza)

- Debe extenderse por completo y tener soporte en la ubicación final de la secadora.
- Quite el exceso del mismo para evitar que se doble y se retuerza, lo cual puede dar lugar a una reducción del flujo de aire y a un rendimiento insuficiente.
- No instale un conducto de ventilación de metal flexible en paredes, techos o suelos cerrados.
- La longitud total no deberá exceder de los 7¾ pies (2,4 m).

NOTA: Si se usa un sistema de ventilación existente, limpie la pelusa que está en toda la longitud del sistema y asegúrese de que la capota de ventilación no esté obstruida con pelusa. Reemplace los conductos de ventilación de plástico o de hoja de metal por conductos de metal rígido o de metal flexible. Consulte "Cuadros del sistema de ventilación" y, si es necesario, modifique el sistema de ventilación existente para lograr el mejor desempeño de secado.

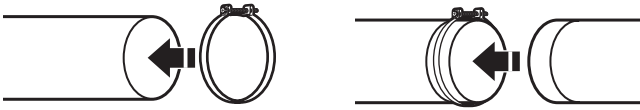
Codos:

- Los codos de 45° proveen un mejor flujo de aire que los codos de 90°.



Abrazaderas:

- Utilice abrazaderas para sellar todas las juntas.
- No debe conectarse ni asegurarse el conducto de ventilación con tornillos ni con ningún otro dispositivo de sujeción que se extienda hacia el interior de dicho conducto y atrape pelusa. No utilice cinta para ductos.

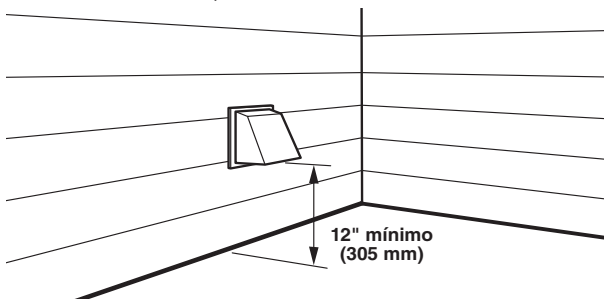


Capotas de ventilación

Capotas de ventilación de 4" (102 mm) de diámetro



La capota de ventilación debe estar por lo menos a 12" (305 mm) de distancia del piso o de cualquier objeto que pudiese estar en el trayecto del ducto de escape (como flores, rocas, arbustos o nieve).



Longitud del sistema de ventilación

Longitud máxima del conducto de ventilación/conexión de ventilación

La longitud máxima del sistema de ventilación depende del tipo de conducto que se use, el número de codos y el tipo de capota de ventilación.

Cuadro del sistema de ventilación (ducto de escape de metal rígido)

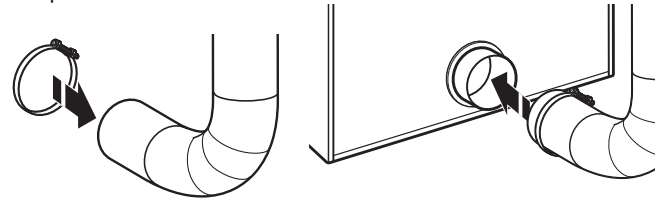
N.º de giros en 90°	Capotas de caja y tipo persianas	Capota angular
0	64 pies (19,5 m)	58 pies (17,7 m)
1	54 pies (16,5 m)	48 pies (14,6 m)
2	44 pies (13,4 m)	38 pies (11,6 m)
3	35 pies (10,7 m)	29 pies (8,8 m)
4	27 pies (8,2 m)	21 pies (6,4 m)

Para los sistemas de ventilación que no se cubren en la tabla de especificación de ventilación, consulte con su distribuidor de piezas. Deben preverse suficiente aire para la combustión y la ventilación. (Verifique las normativas y reglamentos vigentes.) Consulte "Instrucciones para la instalación empotrada o en clóset" en la sección "Requisitos de ubicación".

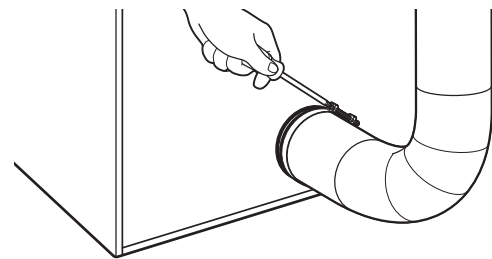
Se prefiere una capota de salida de 4" (102 mm). Aun así, podrá usarse una capota de ventilación de salida de 2½" (64 mm). Una salida de 2½" (64 mm) ocasiona mayor contrapresión que los otros tipos de capotas. Para una instalación permanente, se necesita un sistema fijo de ventilación.

Conexión del ducto de escape

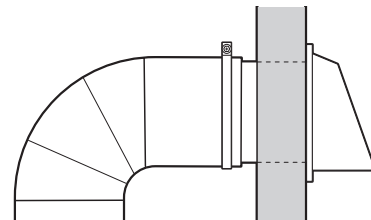
- Si se conecta a un ducto de escape existente, asegúrese de que el mismo esté limpio.
- Con una abrazadera de 4" (102 mm), conecte el ducto de escape a la salida de ventilación en la secadora.



- Apriete la abrazadera de manguera con un destornillador Phillips.



- Cerciórese de que el ducto de escape esté asegurado a la capota de ventilación con una abrazadera de 4" (102 mm).

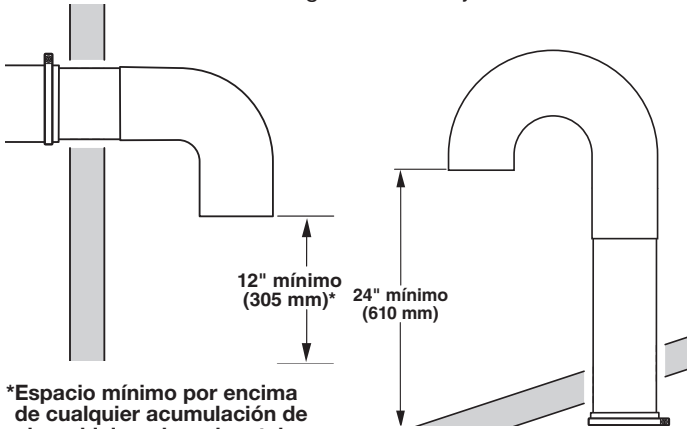


- Mueva la secadora a su posición final. No aplaste ni retuerza el conducto de ventilación. Asegúrese de que la secadora esté nivelada.

NOTA: Se debe usar un manómetro para probar que haya una ventilación adecuada. Mínimo: 0,01" (0,2 mm). Máximo: 0,6" (16 mm).

Si no se puede usar una capota de ventilación

El extremo exterior del ducto de ventilación principal debe tener un codo barredero dirigido hacia abajo.



*Espacio mínimo por encima de cualquier acumulación de nieve, hielo o desechos tales como hojas

Si el ducto de ventilación principal tiene una trayectoria vertical a través del techo en vez de la pared, instale un codo barredero de 180° en el extremo del ducto, a un mínimo de 2 pies (610 mm) por arriba de la superficie del techo.

La abertura en la pared o el techo deberá tener un diámetro de 1/2" (13 mm) mayor que el diámetro del ducto. El conducto debe centrarse en la abertura.

Para obtener el mejor rendimiento, no instale ninguna pantalla sobre el extremo del conducto.

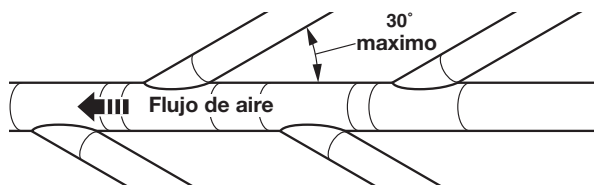
Ventilación de varias secadoras

Puede usar un ducto principal para ventilar un grupo de secadoras. El ducto principal deberá tener el tamaño adecuado para sacar 5663 L/min (200 CFM) de aire por cada secadora. Pueden usarse filtros de pelusa de gran capacidad con el diseño adecuado en el ducto principal si se controlan y se limpian con frecuencia. La habitación en donde estén ubicadas las secadoras deberá tener una renovación de aire (suministro de aire) igual o mayor que los CFM de todas las secadoras en la habitación.

Su distribuidor tiene reguladores de contracorriente que se deben instalar en el ducto de cada secadora para evitar que el aire expulsado vuelva a entrar en las secadoras y mantener la expulsión en equilibrio dentro del ducto principal. Se requieren aberturas de aire de retorno sin obstrucciones.

Cada secadora de una sola carga debe contar con una abertura de aire hacia el exterior sin obstrucciones de 24 pul² (154 cm²) (basado en 1 pul² [6,5 cm²] por cada 1000 B.T.U. [252 kcal]), las aberturas de renovación de aire comunes también son aceptables. Establezca aberturas comunes de manera que la renovación de aire se distribuya de manera uniforme a todas las secadoras. Tenga en cuenta que el área de cobertura debe aumentar en un 33 % para considerar el uso de reguladores o persianas en las aberturas. Además, las aberturas de renovación de aire no se deben instalar cerca de la ubicación donde los ductos de escape salen del edificio.

Cada ducto debe unirse al ducto principal en un ángulo que apunte en la dirección del flujo de aire. Los ductos que entran del lado opuesto deberán alternarse para reducir la interferencia del aire de salida con los otros ductos.



El ángulo máximo de cada ducto que entra en el ducto principal deberá ser de no más de 30°.

Mantenga las aberturas de aire libres de los gases de los líquidos de limpieza en seco. Las emanaciones crean ácidos que, cuando se extraen mediante las unidades de calefacción de la secadora, pueden dañar las secadoras y los artículos que esté secando.

Debe usarse una cobertura de limpieza en el ducto principal para limpiar periódicamente el sistema de ventilación.

NOTA: Para obtener más información sobre la ventilación de las secadoras, consulte el documento W10100920 de Whirlpool.

INSTALACIÓN DE LAS PATAS NIVELADORAS Y CAJA DE MONEDAS

⚠ ADVERTENCIA

Peligro de Peso Excesivo

Use dos o más personas para mover e instalar la secadora.

No seguir esta instrucción puede ocasionar una lesión en la espalda u otro tipo de lesiones.

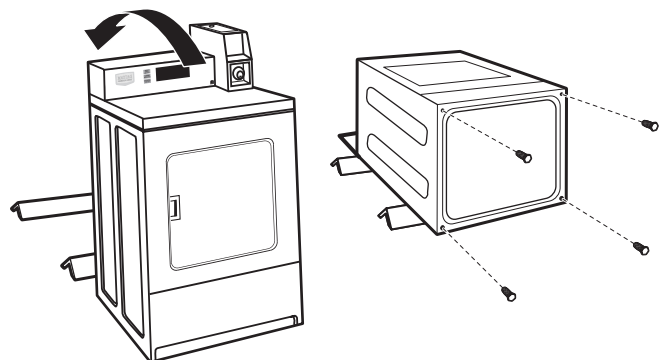
1. Prepare la secadora para las patas niveladoras

NOTA: Deslice la secadora sobre un pedazo de cartón o madera dura antes de moverla por el piso para no dañar el acabado de éste.

Con la ayuda de dos o más personas, mueva la secadora al lugar deseado para su instalación.

Remueva la cinta de las esquinas frontales de la secadora. Abra la secadora y saque los paquetes que contienen la bolsa con documentos y las piezas. Limpie el interior de la secadora con un paño húmedo para quitar residuos de polvo.

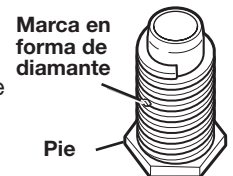
Tome dos esquinales de cartón de la caja de la secadora y ubíquelos en el suelo en la parte de atrás de la secadora. Sujete con firmeza el cuerpo de la secadora y colóquela sobre su parte posterior, encima de los esquinales de cartón. Desconecte el suministro eléctrico antes de realizar las conexiones eléctricas.



(la apariencia puede variar)

2. Atornille las patas niveladoras

Examine las patas niveladoras y localice la marca en forma de diamante. Atornille las patas en los orificios con la mano. Use una llave ajustable o una llave de cubo de cabeza hexagonal de 1" (25 mm) para terminar de girar las patas hasta que la marca en forma de diamante no quede visible. Luego haga encajar una cubierta protectora sobre cada pata.



Para proteger el piso, use un pedazo de cartón grande de la caja de la secadora. Coloque la secadora en posición vertical sobre el cartón. Deslice la secadora cerca de su ubicación final. Deje suficiente espacio para la conexión eléctrica y para conectar el ducto de escape.

Si debe hacer la instalación en un suelo inclinado, puede encontrar un pie nivelador más largo, número de pieza 279810.

3. Instale el dispositivo de seguridad adicional

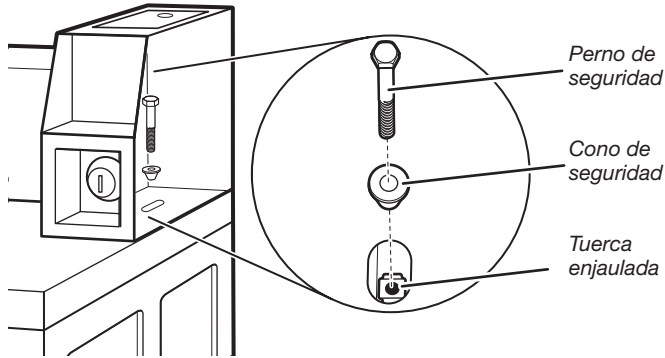
Asegúrese de que no haya suministro eléctrico a la secadora.

Abra y retire la puerta de servicio.

Inserte la parte angosta del cono de seguridad en el orificio alargado en la parte inferior posterior del conjunto de la caja del contador.

Pase el perno de seguridad a través de este cono y enrósquelo manualmente en la tuerca enjaulada, debajo del orificio alargado.

Ajuste el perno de seguridad a mano con algunos giros antes de usar una llave para apretarlo firmemente.



NOTA: La instalación de un perno de seguridad proporciona seguridad adicional, pero agregará tiempo al servicio cuando sea necesario retirar o levantar la parte superior para realizar mantenimiento a la secadora.

NIVELACIÓN

La nivelación adecuada de su secadora reduce el exceso de ruido y vibración.

⚠ ADVERTENCIA

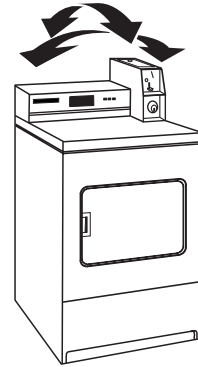
Peligro de Peso Excesivo

Use dos o más personas para mover e instalar la secadora.

No seguir esta instrucción puede ocasionar una lesión en la espalda u otro tipo de lesiones.

1. Retire el cartón de debajo de la secadora. Coloque un nivel en los bordes superiores de la secadora, revisando cada lado y el frente. Si la secadora no está nivelada, inclínala y ajuste las patas hacia arriba o hacia abajo, como se muestra en el paso 3, repitiendo si es necesario.

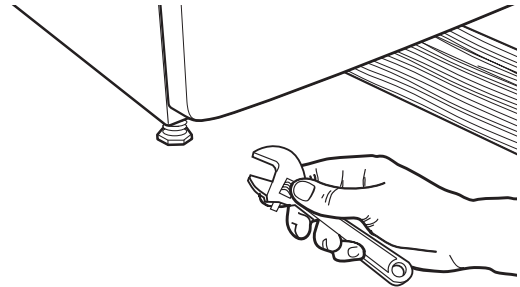
2. Tome la secadora desde arriba y muévela de adelante hacia atrás, cerciorándose de que todas las patas estén firmes en el suelo. Repita lo anterior, moviendo la secadora de lado a lado. Si la secadora se mueve, vuelva al paso 3 y ajuste las patas de nivelación.



(la apariencia puede variar)

3. Si la secadora no está nivelada, use una llave de boca o ajustable de 1" o 25 mm para girar la pata de nivelación en sentido opuesto a las manecillas del reloj para bajar la secadora o en el sentido de las manecillas del reloj para elevarla. Vuelva a verificar la nivelación de la secadora y que las cuatro patas estén firmemente en contacto con el suelo. Repita el procedimiento según sea necesario.

CONSEJO ÚTIL: Podría elevar la parte delantera de la secadora aproximadamente 4" (102 mm) con un bloque de madera o un objeto similar que soporte su peso.



CONEXIÓN DEL SUMINISTRO DE GAS

Conexión del suministro de gas

⚠️ ADVERTENCIA



Peligro de Explosión

Use una línea de suministro de gas nueva con aprobación CSA Internacional.

Instale una válvula de cierre.

Apriete firmemente todas las conexiones de gas.

Si se conecta a un suministro de gas propano, la presión no debe exceder una columna de agua de 330 mm (13 pulgadas) y debe ser verificada por una persona calificada.

Ejemplos de una persona calificada incluyen: personal de servicio del sistema de calefacción con licencia, personal autorizado de la compañía de gas, y personal autorizado para dar servicio.

No seguir estas instrucciones puede ocasionar la muerte, explosión o incendio.

1. Retire la tapa roja de la línea de suministro de gas de la secadora.
2. Conecte el suministro de gas a la secadora. Utilice un compuesto de rosca de tuberías aprobado para el tipo de gas suministrado. Si se usa tubería flexible de metal, asegúrese de que no hayan partes retorcidas.

Si se necesita para el servicio técnico, dependiendo del modelo:

Abra el panel de pie retirando los tornillos de cabeza hexagonal de 2 1/4" de la parte interior del panel. Después levante el panel mientras jala y saca la parte inferior de la secadora.

O BIEN

Abra el panel de pie. Use un cuchillo para masilla para presionar el seguro del panel, ubicado en la parte superior central del panel de pie. Jale el panel de pie hacia abajo para abrir. El panel de pie tiene bisagras en la parte inferior.

3. Abra la válvula de cierre de la línea de suministro de gas y cerciórese de que la secadora tenga su propio suministro de gas abierto.
4. Pruebe todas las conexiones aplicando con un pincel una solución aprobada para detección de fugas que no sea corrosiva. Se observarán burbujas si hay fugas. Corrija todas las fugas que encuentre.

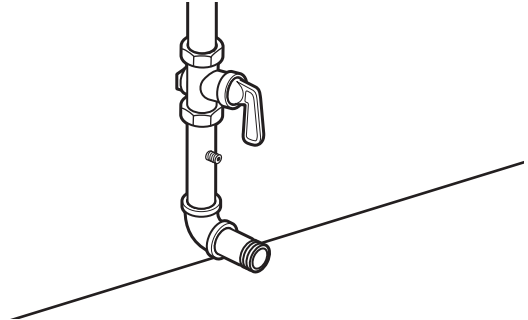
Tipo de gas

Esta secadora está equipada para uso con gas natural. Su diseño está certificado por CSA Internacional para gases propano y butano con la conversión apropiada. No se deberá hacer intento alguno para convertir la secadora del gas especificado en la placa indicadora de la serie/clasificación para utilizar un gas distinto sin consultar con el abastecedor de gas. La conversión deberá llevarla a cabo un técnico de servicio calificado. Consulte la lista de piezas o www.whirlpool.com para ver los números de piezas del kit de conversión.

Línea de suministro de gas

Método recomendado

Provea una línea de suministro de gas de tubería rígida (IPS) de 1/2" (13 mm) hacia la ubicación de la secadora. Pueden usarse compuestos para uniones de tubería que sean resistentes a la acción del gas propano. No utilice cinta TEFLON[†]. Con gas propano, el tamaño de la tubería o los tubos puede ser de 1/2" (13 mm) como mínimo. Por lo general, los proveedores de gas propano determinan el tamaño y los materiales que deben usarse en el sistema.



Prueba de presión del suministro de gas

Se debe instalar una derivación tapada NTP de por lo menos 1/8" (3 mm), accesible para las pruebas de calibre, inmediatamente debajo de la válvula de cierre instalada que va a la secadora (como se muestra arriba). Se debe desconectar la secadora del sistema de tubería del suministro de gas, siempre que se hagan pruebas de presión de dicho sistema a presiones de prueba que excedan 1/2" psig (352 kg/m²). Las presiones esperadas para el suministro de gas se indican en pulgadas de agua en la siguiente tabla:

	Gas natural	Gas propano
Mínimo	5,2" (132,1 mm)	8,0" (203,2 mm)
Máximo	10,5" (266,7 mm)	13,0" (330,2 mm)

Método opcional

El suministro de gas también se puede conectar usando tubería aprobada de cobre o aluminio de 3/8" (10 mm). Si la longitud total de la línea de suministro es mayor que 20 pies (6,1 m), deberá usarse tubos más largos.

Si va a usar gas natural, no use tubería de cobre. Pueden usarse compuestos para uniones de tubería que sean resistentes a la acción del tipo de gas provisto.

Se requiere una válvula de cierre

La línea de suministro debe estar equipada con una válvula de cierre manual instalada a una distancia menor de 6 pies (1,8 m) de la secadora, de acuerdo al National Fuel Gas Code (Código nacional de gas combustible), ANSI Z223.1. Esta válvula debe encontrarse en la misma habitación que la secadora. Debe estar en una ubicación que permita abrir y cerrar con facilidad. No bloquee el acceso a la válvula de cierre.

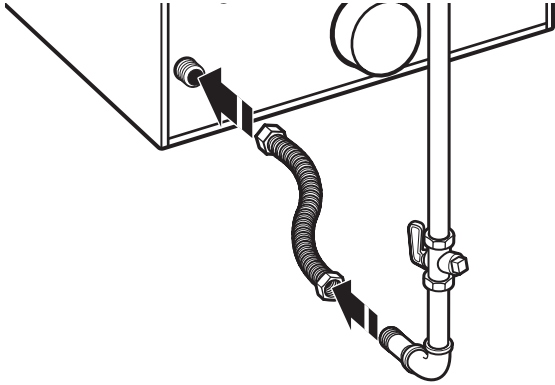
En Canadá, se deberá instalar una válvula de cierre manual de acuerdo con los códigos B149 de instalación CAN/CGA B149.1 y CAN/CGA B149.2.

[†]TEFLON es una marca comercial registrada de Chemours.

Conector flexible de metal para el aparato

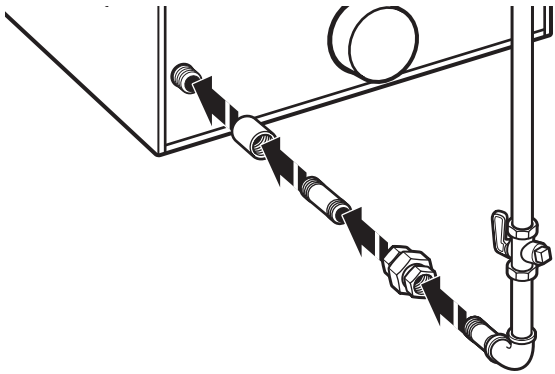
Se recomienda usar una nueva línea flexible de gas de acero inoxidable, cuyo diseño esté certificado por CSA (Asociación canadiense de seguridad), para conectar la secadora a la línea de suministro de gas. (El tubo de gas, que se extiende a través de la parte posterior inferior de la secadora, está suministrado con una rosca macho para tubería de 3/8" [10 mm]).

NOTA: No tuerza ni dañe la línea de gas flexible de acero inoxidable cuando mueva la secadora.



Conexión de tubería rígida

La conexión de tubería rígida requiere una combinación de accesorios de tubería para obtener una conexión en línea hacia la secadora.



CONEXIONES ELÉCTRICAS PARA LA SECADORA ELÉCTRICA (SOLAMENTE EE. UU.)

Conexión por cable de suministro de energía

⚠ ADVERTENCIA



Peligro de Incendio

Use un cable de suministro eléctrico nuevo de 30 amperios que esté en la lista de UL.

Use un protector de cables que esté en la lista de UL.

Desconecte el suministro eléctrico antes de hacer las conexiones eléctricas.

Conecte el alambre neutro (el blanco o el del centro) a la terminal central (plateada).

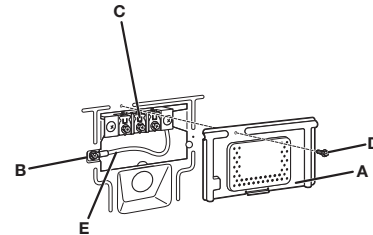
El alambre de tierra (el verde o el no aislado) se debe conectar con el conector verde de tierra.

Conecte los 2 alambres de suministro restantes con las 2 terminales restantes (las doradas).

Apriete firmemente todas las conexiones eléctricas.

No seguir estas instrucciones puede causar la muerte, incendio, o choque eléctrico.

Quite la tapa del bloque de terminal



Desconecte el suministro de energía antes de comenzar.

Quite el tornillo de sujeción (D) y la tapa del bloque de terminal (A).

A. Tapa del bloque de terminal

C. Tornillo central del bloque de terminal

B. Tornillo externo del conductor de conexión a tierra

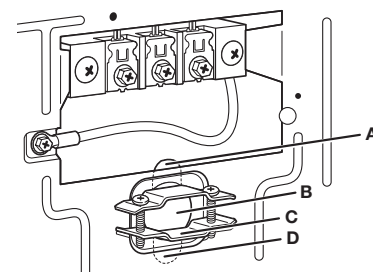
D. Tornillo de sujeción

E. Cable de conexión a tierra neutro

E. Cable de conexión a tierra neutro

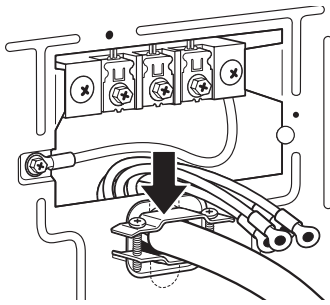
Protector del cable eléctrico

1. Inserte el protector de cables.



Quite los tornillos de un protector de cables de 3/4" (19 mm) que esté en la lista de UL (con la marca UL en el protector de cables). Coloque las lengüetas de las dos secciones de la abrazadera (C) en el orificio que está debajo de la abertura del bloque de terminal (B) de manera que una lengüeta esté apuntando hacia arriba (A) y la otra esté apuntando hacia abajo (D), y sujételas en su lugar. Apriete los tornillos del protector de cables solo lo suficiente para mantener las dos secciones de la abrazadera (C) juntas.

2. Inserte el cable eléctrico en el protector de cables.



Haga pasar el cable eléctrico a través del protector de cables. Asegúrese de que el aislamiento de cables del cable eléctrico esté dentro del protector de cables. El protector de cables deberá encajar de manera ajustada con el gabinete de la secadora y estar en posición horizontal. No ajuste más los tornillos del protector de cables en este momento.

Opciones de conexión

Cable eléctrico

Receptáculo de 4 cables (NEMA tipo 14-30R)
Consulte la sección "Conexión por cable de suministro eléctrico".

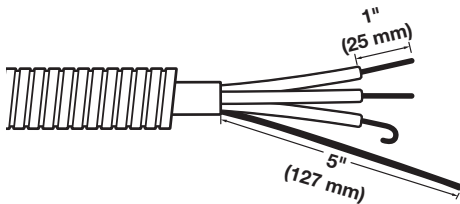


Receptáculo de 3 cables (NEMA tipo 10-30R)
Consulte la sección "Conexión por cable de suministro eléctrico".

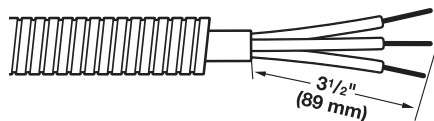


Cable directo

Conexión por cable directo de 4 cables
Consulte la sección "Conexión por cable directo".



Conexión por cable directo de 3 cables
Consulte la sección "Conexión por cable directo".



NOTA: Si los códigos locales no permiten la conexión de un conductor para conexión a tierra de la carcasa al cable neutro, consulte la sección "Conexión de 3 hilos: opcional". Esta conexión se puede utilizar con un cable eléctrico o un cable directo.

Cómo hacer la conexión de 4 hilos: Cable de suministro eléctrico

IMPORTANTE: Se necesita una conexión de 4 hilos donde los códigos locales no permitan el uso de conexiones de 3 hilos.

Conectores estándar del cable eléctrico

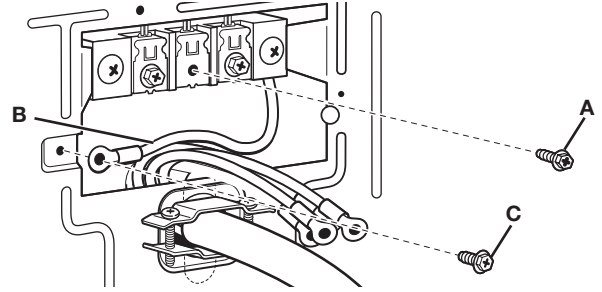


Conector bridado de horquilla

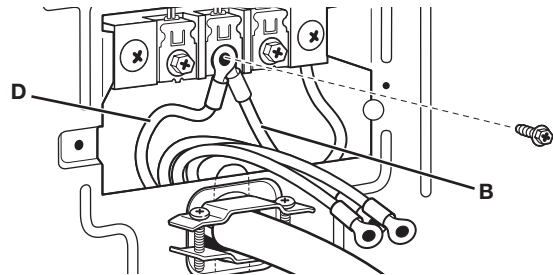
Conector de anillo

Cómo hacer la conexión de los cables a tierra y neutro

1. Para quitar el tornillo central del bloque de terminal (A) y el cable de conexión a tierra neutro (B), retire el tornillo externo del conector de conexión a tierra (C).

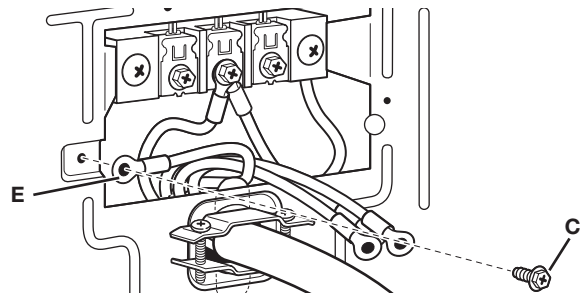


2. Conecte el cable de conexión a tierra neutro (B) y el cable neutro (blanco o central) (D) en el bloque de terminal central. Apriete el tornillo.



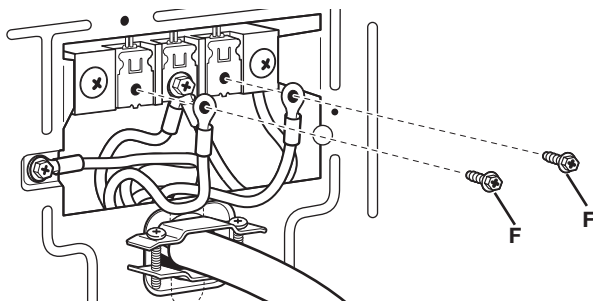
Conexión del cable eléctrico de conexión a tierra

3. Conecte el cable de conexión a tierra (verde o desnudo) (E) con el tornillo conector de conexión a tierra exterior (C). Apriete el tornillo.



Cómo conectar los cables restantes

- Conecte los cables restantes a los tornillos de los bloques de terminal de los extremos (F). Apriete los tornillos del protector de cables contra el cable de suministro eléctrico. Por último, vuelva a colocar la tapa del bloque de terminal y apriete el tornillo de sujeción. Consulte la sección "Completar instalación".



Cómo hacer la conexión de 3 hilos: Cable de suministro eléctrico

Conectores estándar del cable eléctrico



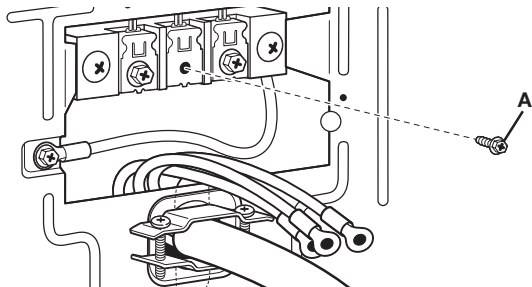
Conector bridado de horquilla



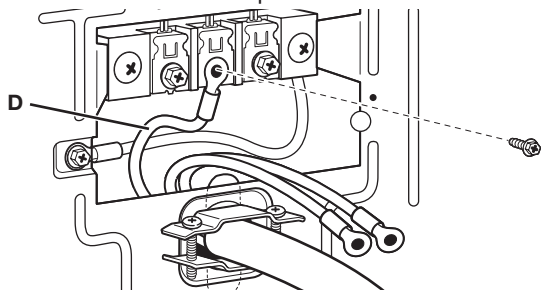
Conector de anillo

Cómo conectar el cable neutro

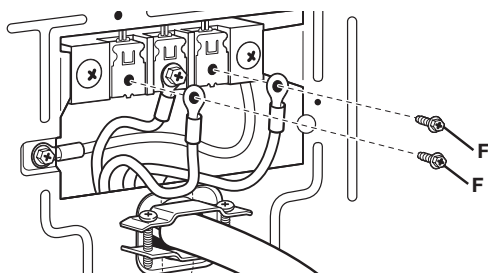
- Afloje o saque el tornillo del bloque de terminal central (A).



- Conecte el cable blanco neutro (blanco o central) (D) en el bloque de terminal central. Apriete el tornillo.



- Conecte los cables restantes a los tornillos de los bloques de terminal de los extremos (F). Apriete los tornillos del protector de cables contra el cable de suministro eléctrico. Por último, vuelva a colocar la tapa del bloque de terminal y apriete el tornillo de sujeción. Consulte la sección "Completar instalación".



Conexión por cable directo

⚠ ADVERTENCIA



Peligro de Incendio

Utilice alambres de cobre sólido de ancho 10.

Use un protector de cables que esté en la lista de UL.

Desconecte el suministro eléctrico antes de hacer las conexiones eléctricas.

Conecte el alambre neutro (el blanco o el del centro) a la terminal central (plateada).

El alambre de tierra (el verde o el no aislado) se debe conectar con el conector verde de tierra.

Conecte los 2 alambres de suministro restantes con las 2 terminales restantes (las doradas).

Apriete firmemente todas las conexiones eléctricas.

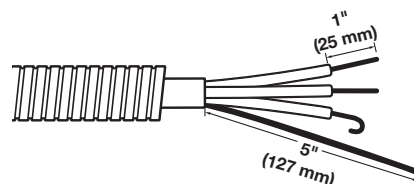
No seguir estas instrucciones puede causar la muerte, incendio o choque eléctrico.

Opciones de conexión

Cable directo

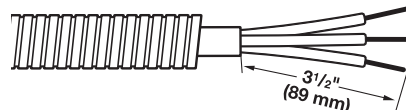
Conexión por cable directo de 4 cables

Consulte la sección "Cómo hacer la conexión de 4 cables: Cable directo".



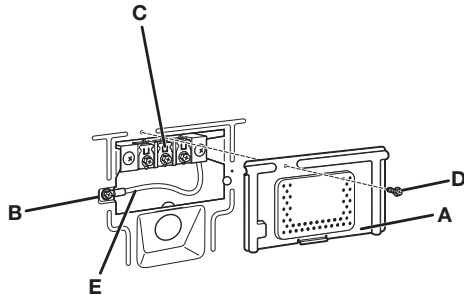
Conexión por cable directo de 3 hilos

Consulte la sección "Cómo hacer la conexión de 3 hilos: Cable directo".



NOTA: Si los códigos locales no permiten la conexión de un conductor para conexión a tierra de la carcasa al cable neutro, consulte la sección "Conexión de 3 hilos: opcional". Esta conexión se puede utilizar con un cable eléctrico o un cable directo.

Quite la tapa del bloque de terminal

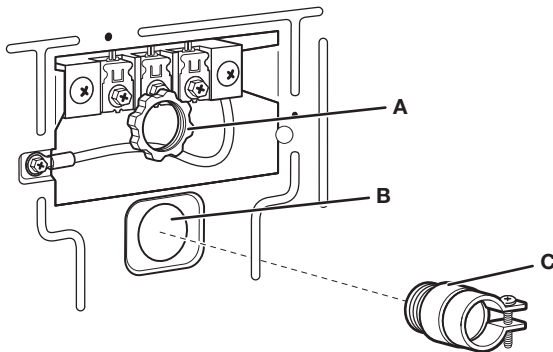


Desconecte el suministro de energía antes de comenzar. Quite el tornillo de sujeción (D) y la tapa del bloque de terminal (A).

- A. Tapa del bloque de terminal
- B. Tornillo conductor de tierra externo
- C. Tornillo central del bloque de terminal
- D. Tornillo de sujeción
- E. cable neutro de conexión a tierra

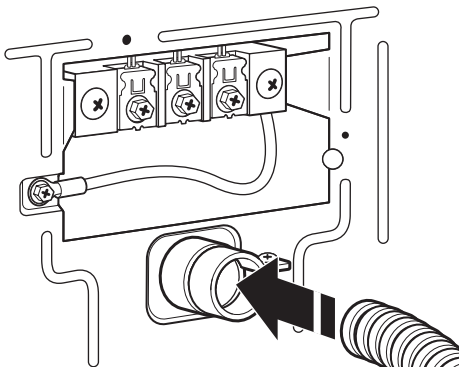
Protector de cables para cable directo

1. Inserte el protector de cables.



Desatornille el conector de conducto removible (A) y cualquier tornillo del protector de cables de 3/4" (19 mm) que está en la lista de UL (con la marca UL en el protector de cables). Haga pasar la sección trenzada del protector de cables (C) a través del orificio que está debajo de la abertura del bloque de terminal (B). Busque dentro de la abertura del bloque de terminal y atornille el conector de conducto removible (A) sobre las roscas del protector de cables.

2. Inserte el conducto en el protector de cables y apriete la abrazadera.



Haga pasar el cable directo a través del protector de cables. El protector de cables deberá encajar de manera ajustada con el gabinete de la secadora y estar en posición horizontal. Apriete el tornillo del protector de cables contra el cable directo.

Cómo hacer la conexión de 4 hilos: Cable directo

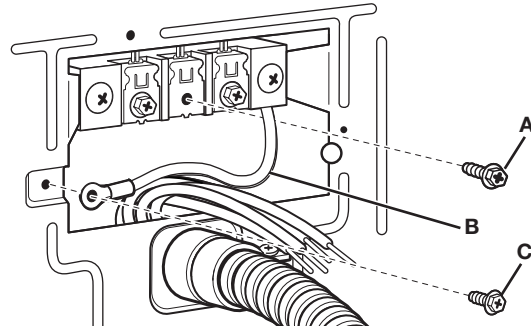
IMPORTANTE: Se necesita una conexión de 4 hilos donde los códigos locales no permitan el uso de conexiones de 3 hilos.

El cable directo deberá tener 5 pies (1,52 m) de largo adicional para poder mover la secadora si es necesario.

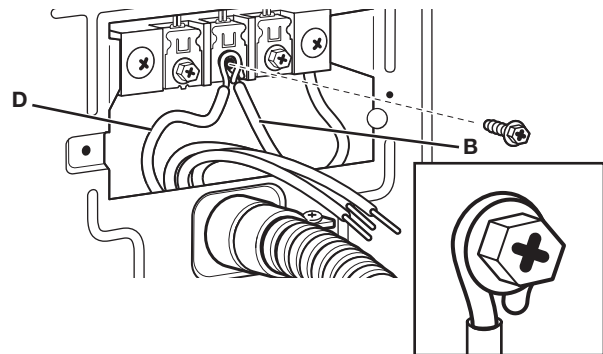
Pele 5" (127 mm) de la cubierta exterior del extremo del cable, dejando el cable a tierra desnudo a 5" (127 mm). Corte 1/2" (38 mm) de los tres cables restantes. Pele el aislamiento 1" (25 mm). Doble los extremos de los cables para formar un gancho.

Cómo hacer la conexión de los cables de conexión a tierra y neutros

1. Para quitar el tornillo central del bloque de terminal (A) y el cable de conexión a tierra neutro (B), retire el tornillo externo del conector de conexión a tierra (C).

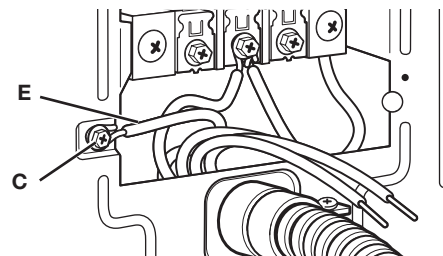


2. Conecte el cable de conexión a tierra neutro (B) y coloque el extremo en forma de gancho (gancho mirando hacia la derecha) del cable neutro (cable blanco o central) (D) debajo del tornillo central del bloque de terminal (B). Apriete y junte el extremo en forma de gancho. Apriete el tornillo.



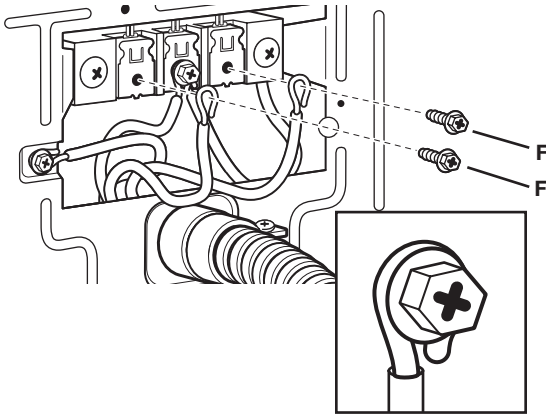
Cómo hacer la conexión a tierra del cable directo

3. Conecte el cable de conexión a tierra (verde o desnudo) (E) con el tornillo conector de conexión a tierra exterior (C). Apriete el tornillo.

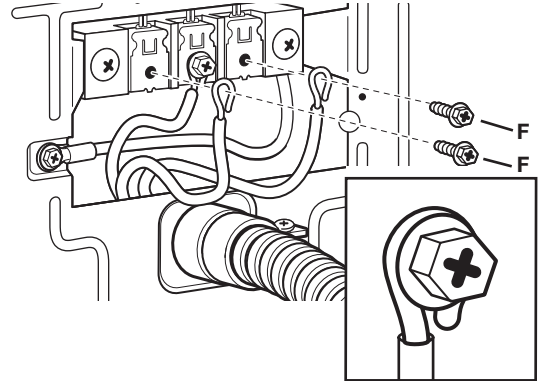


Cómo conectar los cables restantes

- Coloque los extremos en forma de gancho de los cables directos restantes (con los ganchos mirando hacia la derecha). Apriete los extremos en forma de gancho y apriete los tornillos externos del bloque de terminal (F). Por último, vuelva a colocar la tapa del bloque de terminal y apriete el tornillo de sujeción. Apriete los tornillos. Consulte la sección "Completar instalación".



- Coloque los extremos en forma de gancho de los cables directos restantes (con los ganchos mirando hacia la derecha). Apriete los extremos en forma de gancho y apriete los tornillos externos del bloque de terminal (F). Por último, vuelva a colocar la tapa del bloque de terminal y apriete el tornillo de sujeción. Apriete los tornillos. Consulte la sección "Completar instalación".



Cómo hacer la conexión de 3 hilos: Cable directo

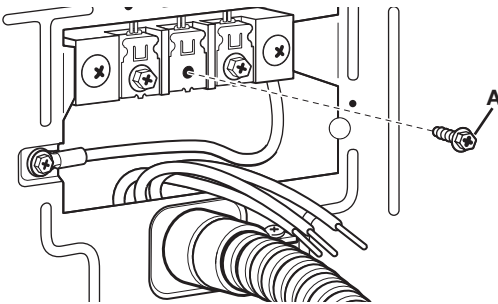
Úsela donde los códigos locales permitan conectar el conductor de tierra del gabinete al cable neutro.

El cable directo deberá tener 5 pies (1,52 m) de largo adicional para poder mover la secadora si es necesario.

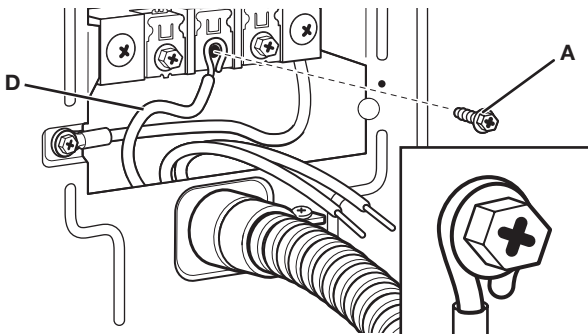
Pele 3½" (89 mm) de la cubierta exterior del extremo del cable. Pele el aislamiento 1" (25 mm). Si va a usar el cable de 3 hilos con cable a tierra, corte el cable desnudo alineado con la cubierta exterior. Doble los extremos de los cables para formar un gancho.

Cómo conectar el cable neutro

- Afloje o saque el tornillo del bloque de terminal central (A).



- Coloque el extremo en forma de gancho (gancho mirando hacia la derecha) del cable neutro (cable blanco o central) (D) debajo del tornillo central del bloque de terminal (A). Apriete y junte el extremo en forma de gancho. Apriete el tornillo.

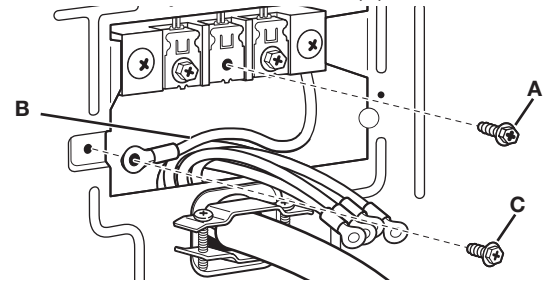


Cómo hacer la conexión de 3 hilos: Opcional

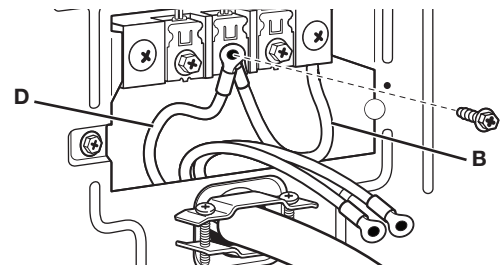
Úselo para el cable directo o el cable de suministro eléctrico donde los códigos locales no permiten conectar un conductor de conexión a tierra de la carcasa al cable neutro.

Cómo conectar el cable neutro

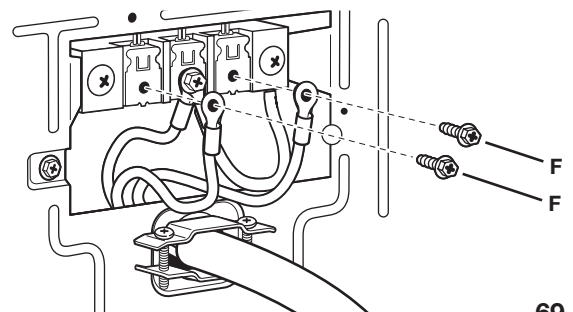
- Quite el tornillo del bloque de terminal (A). Retire también el cable neutro de conexión a tierra (B) quitando del tornillo conductor de tierra externo (C).



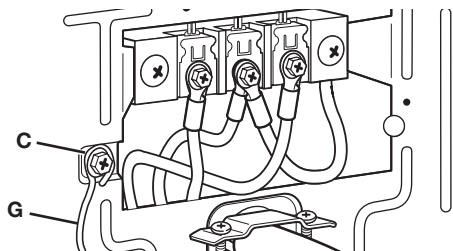
- Conecte el cable neutro de conexión a tierra (B) y el cable neutro (cable blanco o central) (D) del cable de suministro de energía debajo del bloque de terminal central. Apriete el tornillo.



- Conecte los cables restantes debajo del bloque de terminal externo. Apriete los tornillos (F).



- Conecte un cable de conexión a tierra de cobre separado (G) debajo del conductor de conexión a tierra externo al tornillo (C) para una conexión a tierra adecuada. Por último, vuelva a colocar la tapa del bloque de terminal y apriete el tornillo de sujeción. Consulte la sección "Completar instalación".



INSTALACIÓN COMPLETA

- Verifique los requisitos eléctricos. Asegúrese de contar con la fuente de electricidad correcta y el método recomendado de conexión a tierra. Consulte "Requisitos eléctricos".
- Verifique que todas las piezas estén ahora instaladas. Si hay una pieza adicional, repita los pasos.
- Verifique que tenga todas las herramientas.
- Deseche o recicle todo el material de embalaje.

⚠ ADVERTENCIA



Peligro de Choque Eléctrico

Conecte a un contacto de pared de conexión a tierra de 3 o 4 terminales.

No quite la terminal de conexión a tierra.

No use un adaptador.

No use un cable eléctrico de extensión.

No seguir estas instrucciones puede ocasionar la muerte, incendio o choque eléctrico.

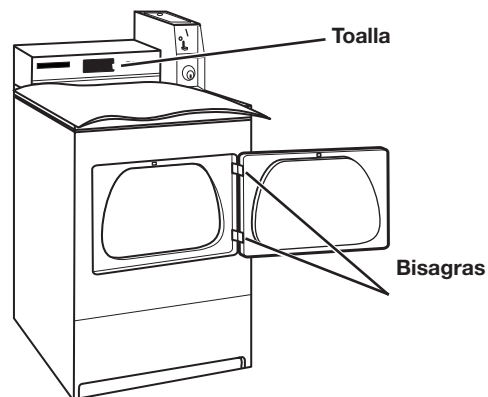
- Enchufe en un contacto con conexión a tierra o reconecte el suministro de energía.
- Verifique el funcionamiento de la secadora: Cierre la puerta de la secadora. Fije el ciclo. El tiempo de funcionamiento se acumulará según el número de monedas.
NOTA: La puerta de la secadora debe cerrarse para que funcione. Cuando se abre la puerta, la secadora se detiene, pero el temporizador continúa funcionando. Para reiniciar la secadora, cierre la puerta y presione el botón START (inicio).
- Abra la puerta de la secadora. Fijese si el interior de la secadora está tibio. Si el quemador no se enciende y no siente calor dentro de la secadora, apáguela por cinco minutos. Revise que todos los controles de la válvula de suministro estén en la posición ON (Encendido), y que el cable eléctrico esté enchufado. Repita la prueba de cinco minutos.
- Si el tiempo de secado es demasiado largo, cerciórese de que el filtro de pelusa esté limpio y no hayan obstrucciones del flujo de aire en el sistema de ventilación de la secadora.
- Reinicie la secadora y deje que complete un ciclo de calor completo (no un ciclo de aire) para asegurarse de que esté funcionando adecuadamente.

INVERSIÓN DEL SENTIDO DE APERTURA DE LA PUERTA (OPCIONAL)

Puede cambiar el sentido de apertura de la puerta de una apertura al lado derecho al lado izquierdo si así lo desea.

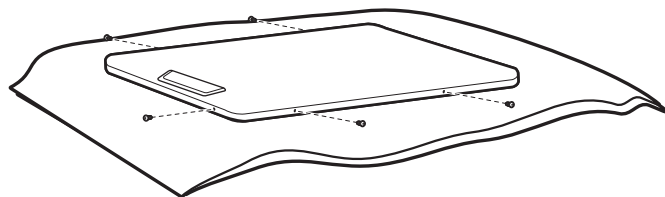
Cómo quitar el conjunto de la puerta

- Ponga una toalla o un paño suave sobre la secadora o el espacio de trabajo para evitar rayar la superficie.
- Abra la puerta de la secadora. Retire los tornillos inferiores de las bisagras de los lados de la carcasa. Afloje (no quite) los tornillos superiores del lado de la carcasa que tiene bisagras.

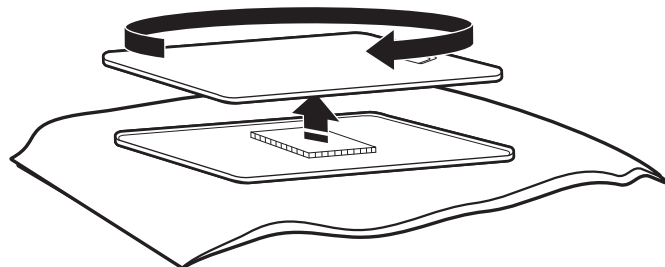


(la apariencia puede variar)

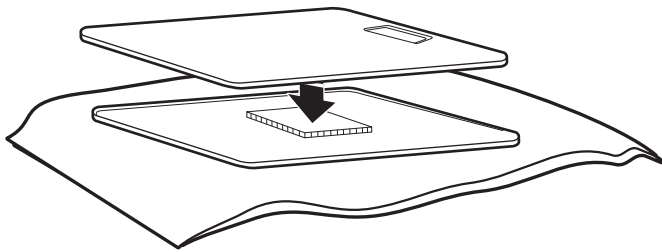
- Levante la puerta hasta que los tornillos superiores de la carcasa estén en la parte grande de la ranura de la bisagra. Jale hacia adelante para sacarla de los tornillos. Coloque la puerta (con el lado de la manija hacia arriba) encima de la secadora. Quite los tornillos superiores de la carcasa.
- Retire los tornillos que fijan las bisagras a la puerta.
- Quite los tornillos de la parte superior, inferior y lateral de la puerta (5 tornillos).



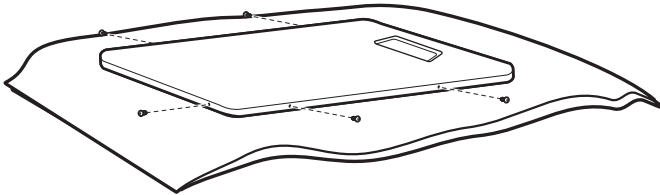
- Sosteniendo la puerta sobre la toalla encima de la secadora, sujete los lados de la puerta exterior y levántela con cuidado para separarla de la puerta interior. No use un cuchillo para masilla para apalancar. No jale el sello de la puerta ni el seguro de plástico de la puerta.



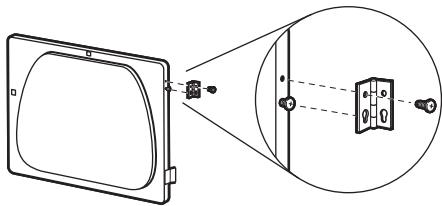
7. Asegúrese de mantener el espaciador de cartón centrado entre las puertas. Vuelva a sujetar el panel exterior al panel interior de la puerta, de modo que la manija quede en el lado en donde recién se han quitado las bisagras.



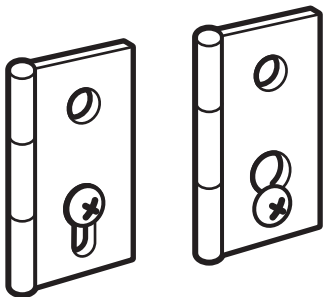
8. Vuelva a fijar los tornillos en la parte superior, inferior y lateral de la puerta (5 tornillos).



9. Fije las bisagras de la puerta a la puerta de la secadora para que el orificio más grande quede en la parte inferior de la bisagra y el pasador de la bisagra mire hacia la puerta frontal.



10. Quite los 4 tornillos que sujetan 2 tapones en el lado izquierdo. Sujete los tapones al lado derecho con los mismos 4 tornillos.
11. Inserte los tornillos en los orificios inferiores del lado izquierdo de la carcasa. Apriete los tornillos hasta la mitad. Coloque la puerta de modo que el extremo grande de la ranura de la bisagra de la puerta esté sobre los tornillos. Deslice la puerta hacia arriba, de modo que los tornillos queden en la parte inferior de las ranuras. Apriete los tornillos. Inserte y apriete los tornillos superiores en las bisagras.



12. Cierre la puerta y verifique que el tope de la misma esté alineado con el seguro de la puerta. De ser necesario, deslice el seguro de la puerta hacia la izquierda o derecha dentro de la ranura para ajustar el alineamiento.

INSTRUCCIONES DE MANTENIMIENTO

- Limpie el filtro de pelusa antes y después de cada ciclo.

- Eliminación de pelusa acumulada:

En el interior del gabinete de la secadora:

Según el uso de la secadora, se debe quitar la pelusa cada 2 años o con más frecuencia. La limpieza deberá efectuarla una persona competente.

Desde el ducto de escape:

Según el uso de la secadora, se debe quitar la pelusa cada 2 años o con más frecuencia.

- Mantenga el área alrededor de la secadora limpia y libre de materiales combustibles, gasolina y otros vapores y líquidos inflamables.

- Mantenga el área donde está la secadora despejada y libre de artículos que pudieran obstruir el flujo de aire para la combustión y la ventilación.

Si la secadora no funciona, revise lo siguiente:

- Que el suministro eléctrico esté conectado.
- El disyuntor no se disparó o el fusible de la casa no está quemado.
- Que la puerta esté cerrada.
- Que los controles estén fijados en una posición de funcionamiento u ON (Encendido).
- Que se haya presionado con firmeza el botón de Inicio (START).
- Para las secadoras a gas, revise que las válvulas de cierre del suministro de gas estén en la posición abierta.

SI NECESITA ASISTENCIA

Comuníquese con su distribuidor autorizado de lavandería comercial. Para ubicar a su distribuidor autorizado de aparatos de lavandería comercial o para solicitar información por internet, visite www.whirlpoolcommerciallaundry.com.

Si no puede localizar al distribuidor, el Centro de apoyo para lavandería comercial contestará cualquier pregunta que usted tenga acerca del funcionamiento y mantenimiento de la secadora que no esté cubierta en las Instrucciones de instalación.

Simplemente llame al **1-800 NO BELTS (1-866-698-2538)** — la llamada es gratuita.

Cuando llame, usted necesitará tener a mano el número del modelo y de la serie de la secadora. Ambos números se encuentran en la placa de clasificación de serie que está ubicada en la parte de la puerta de la secadora.

INSTRUCCIONES DE PROGRAMACIÓN DEL CONTROL ELECTRÓNICO (MODELOS SIN MONEDA/CON MONEDA)

IMPORTANTE

Descarga electrostática (ESD) Electrónicos sensibles

Los problemas de descarga electrostática se encuentran presentes en cualquier lugar. Las descargas electrostáticas pueden dañar o debilitar el conjunto del control electrónico. El nuevo ensamblaje del control puede parecer que funciona bien después de que se haya terminado la reparación, pero podrían ocurrir fallas en una fecha posterior debido a la tensión provocada por la descarga electrostática.

- Utilice una correa antiestática para muñeca. Conecte la correa para muñeca a un punto verde de conexión a tierra, o a una pieza de metal que no esté pintada en el artefacto.

– O BIEN –

Toque varias veces con el dedo un punto verde de conexión a tierra o una pieza de metal que no esté pintada en el artefacto.

- Antes de sacar la pieza de su paquete, toque un punto verde de conexión a tierra o una pieza de metal sin pintar en el electrodoméstico con la bolsa antiestática.
- Evite tocar las piezas electrónicas o los contactos terminales; manipule el conjunto del control electrónico solamente por los bordes.
- Cuando vuelva a empacar el ensamblaje del control electrónico fallado en una bolsa antiestática, observe las instrucciones anteriores.

INFORMACIÓN GENERAL PARA EL USUARIO

PANTALLA EN BLANCO: Esta condición indica que la secadora no funciona. Ingrese al modo de configuración para ver el código de diagnóstico.

APARECE “0 MINUTOS” EN LA PANTALLA: Esto indica que el ciclo anterior está completo o se realizó un reinicio en la máquina. Al abrir la(s) puerta(s), la pantalla volverá al estado Precio de venta o Disponible.

Ajustes predeterminados de fábrica – La secadora está programada de fábrica como se describe a continuación:

5 minutos de tiempo de secado/moneda de 25 centavos (moneda 1)

Precio de secado de USD 1,50 (ciclo fijo con tiempo adicional – modelos con moneda)

Precio de secado de USD 0,00 (ciclo fijo – modelos sin moneda)

WARM START (Inicio en caliente, después de un corte de corriente): Algunos segundos después de que la energía haya vuelto, si un ciclo se encontraba en curso en el momento del corte, aparecerá “RESELECT CYCLE” (Vuelva a seleccionar el ciclo) en la pantalla, lo que indica que debe presionar el botón para reiniciar la secadora.

Hay cuatro (4) tipos de precios de la secadora:

Precio Fixed “Vend” (Fijo de “venta”)

Una secadora programada para un funcionamiento de “ciclo fijo” solamente puede aceptar tiempo adicional que se haya acumulado en incrementos iguales a la duración de un ciclo de secado completo. Se puede comprar un máximo de 75 minutos y no se da crédito adicional por monedas adicionales una vez que aparece 75 minutos en la pantalla.

Precio del acumulador Si el precio se ha fijado a una moneda 1, el precio del acumulador entra en efecto. El tiempo del ciclo se puede comprar con una moneda a la vez (modelos de modelo), hasta un tiempo máximo de 75 minutos.

Ciclo fijo con precio por tiempo adicional Una secadora programada con la función de “Top Off” (tiempo adicional) permitirá que se agregue tiempo a un ciclo de secado en funcionamiento, en incrementos iguales al número de minutos de secado por moneda o débito ingresado, hasta 75 minutos, independientemente del monto necesario para poner en marcha la secadora. No se da crédito por monedas o ingresos de tarjeta de débito cuando el control muestre 75 minutos en pantalla.

En Enhanced Debit Mode (Modo mejorado de tarjeta de débito), el precio por tiempo adicional se puede fijar de manera independiente (consulte VALOR DE MONEDA 2), y el tiempo adicional se calcula según la siguiente ecuación:

$$\frac{\text{cantidad de tiempo adicional}}{\text{duración de ciclo completo}} = \frac{\text{precio por tiempo adicional}}{\text{precio de ciclo completo}}$$

Los incrementos con centavos no están permitidos en las compras de tiempo adicional.

CICLOS GRATUITOS

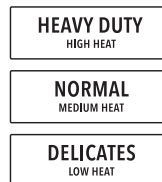
Esto se establece cuando ajusta el precio del ciclo en cero. Cuando esto ocurre, aparecerá SELECT CYCLE (Seleccionar ciclo) en lugar del precio del ciclo. Todo ciclo que haya comenzado como un ciclo gratuito finalizará automáticamente cuando se abra la puerta.

LISTA PARA TARJETA DE DÉBITO: Esta secadora está lista para las tarjetas de débito. Aceptará una variedad de sistemas de tarjeta de débito, pero NO viene con un lector de tarjetas de débito. Consulte al fabricante de lectores de tarjeta de pago automático para informarse sobre la programación adecuada en secadoras. En los modelos convertidos al sistema de tarjetas de débito de Generación 1, los pulsos de débito representan al equivalente de una moneda (moneda 1).

Pantalla

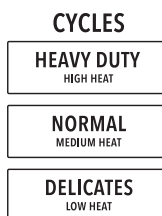
Después de que se instale y enchufe la secadora, la pantalla mostrará “0 minutos”.

Modelos de una sola carga CYCLES



Una vez que se haya enchufado la unidad y se haya abierto y cerrado la puerta de la secadora se mostrará el precio en la pantalla. En los modelos sin moneda que se hayan programado para dar ciclos gratuitos, la pantalla destellará “SELECT CYCLE” (Seleccionar ciclo – no se muestra).

Modelos de una sola carga CYCLES



Procedimientos de programación del control

IMPORTANTE: Lea todas las instrucciones antes de usarlo.

Los botones para la selección de las telas y la pantalla digital se utilizan para programar los controles de la secadora. En la pantalla se pueden mostrar 4 números y/o letras y un punto decimal. Estos solían indicar los códigos de programación y los valores relacionados con los códigos disponibles para usarse en la programación del electrodoméstico.

Cómo utilizar los botones para programar los controles

1. El botón HEAVY DUTY (Intenso) se usa para ajustar los valores asociados con el código de programación. Presionar el botón cambiará el valor en incrementos. Se puede hacer ajustes rápidamente si se mantiene presionado el botón.
2. El botón NORMAL hará avanzar los códigos de programación. Presionar este botón avanzará al siguiente código de programación disponible. Mantener presionado el botón NORMAL le muestra automáticamente todos los códigos de programación a una velocidad más rápida que uno por segundo.
3. El botón DELICATES (Ropa delicada) se utiliza para seleccionar o quitar opciones.

Programación para comenzar a usar

- Modelos de moneda de una sola carga: Inserte la llave en la puerta de servicio, gírela y levante para quitar la puerta de servicio.
- Modelos sin moneda de una sola carga: Una vez que se haya instalado el lector de tarjeta de pago automático (según las instrucciones del fabricante de lectores), se puede ingresar al modo de programación insertando una tarjeta de programación manual (provista por el fabricante de lectores) en la ranura para tarjeta. Si no se tiene una tarjeta de preparación manual, se puede ingresar al modo de preparación manual quitando el conector J4 en el tablero de circuito.

La secadora ahora está en el modo de programación.

NOTA: Esta secadora viene programada de fábrica y no necesita programación adicional. Sin embargo, si desea cambiar los ajustes, siga la guía "Códigos de programación" a continuación.

- Las unidades de moneda se preparan previamente de fábrica para tener un precio fijo con tiempo adicional.
- Las unidades sin moneda se preparan previamente para una operación con ciclo gratuito, de manera que se puedan poner a funcionar sin lectores ni monedas.

PARA MODELOS SIN MONEDA: Los códigos de programación son los mismos que para los modelos de moneda salvo cuando se menciona lo contrario. El código de programación se indica con uno o dos caracteres al lado izquierdo. El valor del código de programación se indica con uno o dos caracteres al lado derecho.

NOTA: Los códigos de configuración marcados con * pueden transferirse de una máquina a otra (deben ser del mismo tipo de modelo) por medio de una memoria USB.

CÓDIGO	EXPLICACIÓN
6 06	CANTIDAD DEL CICLO COMÚN PARA EMPEZAR*
6 06	Representa la cantidad de monedas o débito que se requiere para iniciar un ciclo común. El ajuste predeterminado de fábrica de los modelos de moneda es 606 (Requiere 6 monedas).
Pulse el botón NORMAL una vez para ver el siguiente código.	
7 05	TIEMPO DE SECADO DEL CICLO REGULAR*
7 05	Representa la cantidad de minutos del ciclo regular por moneda o débito ingresado. Ejemplo: ajuste de inicio de cantidad regular es igual a 606 y el ajuste de tiempo de secado del ciclo regular es igual a 705, entonces 6 x 5 = 30 El ajuste predeterminado de fábrica es 705 (5 minutos por moneda/débito ingresado). Ajustable de 01 a 75 utilizando el botón Heavy Duty (Intenso). SOLO MODELOS SIN MONEDAS: Prefijado de fábrica para 45 = 45 minutos
Pulse el botón NORMAL una vez para ver el siguiente código.	
2.00	MENÚ DEL MODO AYUDA ACCESO Esta opción NO ESTÁ SELECCIONADA "OFF" o está SELECCIONADA "ON".
Pulse el botón NORMAL una vez para ver el siguiente código.	

CONFIGURACIÓN DE CONTROLES A TRAVÉS DE USB

Para acceder al menú de configuración de USB, navegue hasta el código de configuración 2.xx (opción de precios especiales). Cuando oprime el botón HEAVY DUTY (Intenso) se activa el submenú del modo de ayuda. El primer submodo dentro del modo de ayuda es la opción USB. Presione el botón HEAVY DUTY (Intenso) en cualquier momento para salir del modo de ayuda.

Submodo	Descripción	Nota
USB	Mientras está en esta pantalla, presione el botón HEAVY DUTY (Intenso) para ingresar al menú USB. El menú USB permite actualizar el software e importar/exportar la configuración de la máquina.	Permite al usuario ingresar al menú USB. Consulte la sección MENÚ USB para obtener más información.

MENÚ USB

Para acceder al menú USB ingrese al Modo de Ayuda. Mientras está en la pantalla USB, presione el botón HEAVY DUTY (Intenso). Para avanzar por el submenú USB, utilice el botón NORMAL. El botón DELICATES (Ropa delicada) el botón Seleccionar. Presione el botón HEAVY DUTY (Intenso) en cualquier momento para salir del menú USB. Consulte la página 79 para conocer la ubicación del puerto USB en el dispositivo y las instrucciones sobre cómo instalar una memoria USB y extraerla del aparato.

CÓDIGO	EXPLICACIÓN
U0.00	¿Está la unidad USB insertada? (Solo estado)
U0.00	Esto se mostrará si la unidad USB NO se detecta.
U0.01	Esto se mostrará si la unidad USB se detectó.
Presione el botón NORMAL una vez para avanzar al siguiente código.	
U1.00	Modo de programación
U1.00	Esto se mostrará si la unidad USB no se detecta.
U1.01	Esto se mostrará si la unidad USB se detectó. Si desea reprogramar los controles presione el botón DELICATES (Ropa delicada) tres veces. La pantalla alternará entre U1.01 y ProG mientras se actualiza ACU o U1.01 y --.-- mientras se actualiza la interfaz de usuario. Espere hasta que el proceso esté completo, esto podría tomar varios minutos. Una vez que el software se haya descargado correctamente en la máquina, el control puede tardar varios minutos en reiniciarse. Una vez que termine el reinicio, la máquina volverá al modo del cliente o modo de servicio en función del estado del interruptor de servicio.
FCE4 o FCE5	Si la programación del software no tuvo éxito, la pantalla alternará entre U1.01 y FCE4 o FCE5.
Presione el botón NORMAL una vez para avanzar al siguiente código.	
U2.00	Exportar los ajustes de la máquina a la unidad USB.
U2.00	Esto se mostrará si la unidad USB no se detecta.
U2.01	Esto se mostrará si la unidad USB se detectó. Si desea exportar la configuración de la máquina a una unidad USB, presione la tecla DELICATES (Ropa delicada) tres veces. La pantalla alternará entre U2.01 y --.-- mientras la exportación está en proceso.
donE	La pantalla alternará entre U2 y donE cuando la exportación finalice correctamente.
FCE4 o FCE5	Si la exportación no tuvo éxito, la pantalla alternará entre U2.01 y FCE4 o FCE5.
Presione el botón NORMAL una vez para avanzar al siguiente código.	

CÓDIGO	EXPLICACIÓN
U3.00	Importar los ajustes de la máquina desde la unidad USB.
U3.00	Esto se mostrará si la unidad USB no se detecta.
U3.01	Esto se mostrará si la unidad USB se detectó. Si desea importar los ajustes de la máquina de una unidad USB a la máquina, presione el botón DELICATES (Ropa delicada) tres veces. La pantalla alternará entre U3.01 y --.-- mientras la importación está en proceso.
donE	La pantalla alternará entre U3 y donE cuando la importación finalice correctamente.
FCE4 o FCE5	Si la importación no tuvo éxito, la pantalla alternará entre U3.01 y FCE4 o FCE5.
Presione el botón NORMAL una vez para avanzar al siguiente código.	
U4.00	Exportación de los datos de auditoría de la máquina a una unidad USB.
U4.00	Esto se mostrará si la unidad USB no se detecta.
U4.01	Esto se mostrará si la unidad USB se detectó. Si desea exportar los datos de auditoría de la máquina a una unidad USB, pulse la tecla DELICATES (Ropa delicada) tres veces. La pantalla alternará entre U4.01 y --.-- mientras la exportación está en proceso.
donE	La pantalla alternará entre U4.01 y donE cuando la exportación finalice correctamente.
FCE4 o FCE5	Si la exportación no tuvo éxito, la pantalla alternará entre U4.01 y FCE4 o FCE5.

FIN DE LOS PROCEDIMIENTOS DE CONFIGURACIÓN CÓMO SALIR DEL MODO DE PROGRAMACIÓN

Modelos de moneda de una sola carga: Vuelva a instalar la puerta de acceso.

Modelos sin moneda de una sola carga:

- Desenchufe la secadora o desconecte el suministro de energía.
- Abra la consola, vuelva a conectar el enchufe en J4 y luego cierre la consola.
- Enchufe la secadora o reconecte el suministro de energía.

CÓMO ACCEDER AL PUERTO USB

Si usa una memoria USB para cambiar los ajustes de control electrónico

⚠ ADVERTENCIA



Peligro de Choque Eléctrico

Desconecte el suministro de energía antes de darle mantenimiento.

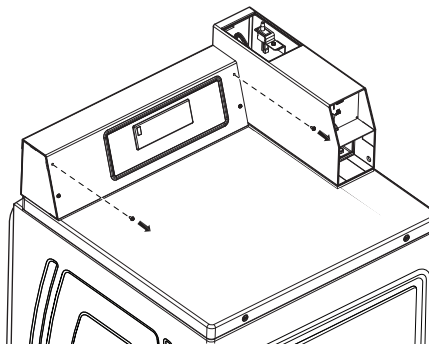
Vuelva a colocar todos los componentes y paneles antes de hacerlo funcionar.

No seguir estas instrucciones puede ocasionar la muerte o choque eléctrico.

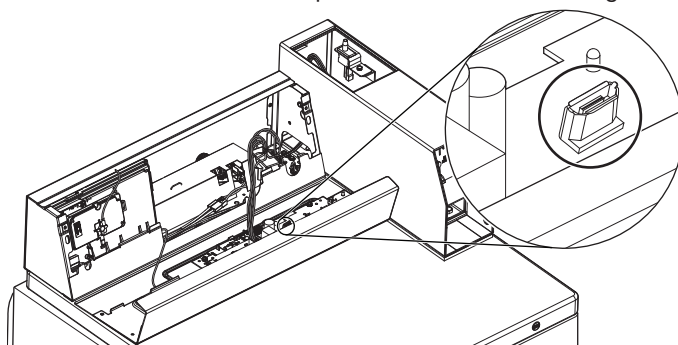
Para instalar o quitar una memoria USB

El puerto USB se encuentra en la placa de control de pantalla.

1. Quite los dos tornillos para permitir que el panel frontal gire hacia afuera del aparato.



2. Coloque el panel frontal hacia abajo en el panel superior del aparato para proporcionar acceso a la placa de control de la interfaz de usuario.
3. Instale la unidad USB en el puerto USB o retírela del lugar.



4. Vuelva a colocar el panel frontal en el aparato con los dos tornillos que quitó antes.

⚠ ADVERTENCIA



Peligro de Choque Eléctrico

Conecte a un contacto de pared de conexión a tierra de 3 o 4 terminales.

No quite la terminal de conexión a tierra.

No use un adaptador.

No use un cable eléctrico de extensión.

No seguir estas instrucciones puede ocasionar la muerte, incendio o choque eléctrico.

5. Conecte el aparato a un contacto de pared de conexión a tierra de 3 terminales o reconecte el suministro de energía.

NOTES

NOTES

NOTES

NOTES

NOTES

