



PERLICK®



G5 24" WINE RESERVE

Crafted with over a century of premier commercial refrigeration expertise, the Perlick G5 collection brings the most innovative refrigeration available into the home—empowering hosts to serve effortlessly, whether for one guest or many.

Job:
Area:
Item #:
Model #:



G5WR24GC



G5WR24SC



MODEL NUMBER	MANUFACTURER ITEM NUMBER	DESCRIPTION
G5WR24SC	URC24W21-5-SRW0	24" WINE RESERVE, SOLID DOOR, HINGE RIGHT
G5WR24GC	URC24W41-5-SRW0	24" WINE RESERVE, GLASS DOOR, HINGE RIGHT

G5 Collection Feature-Benefits

- **High-Performance Cooling:** Perlick’s fastest cool-down speed yet, powered by Perlick’s exclusive RAPIDcool™ technology chills every beverage quickly and evenly throughout the cabinet
- **Seamless, Beautiful Design:** Sleek cabinet profile and fully concealed, soft-closing hinges integrate effortlessly into surrounding cabinetry
- **Trusted Performance:** Certified for indoor and outdoor use, delivering consistent performance in kitchens, patios, or rooftop terraces
- **Smart Technology:** Adapts to your usage and environment for frost-free, consistent cooling, while continuously monitoring unit health for easy troubleshooting and fast remote support
- **3-year parts and labor warranty,** 6-year sealed system parts & labor, with 30-day initial aesthetics parts and labor warranty
- **Quick-Cool Mode:** Chills beverages up to 20% faster for on-demand cooling
- **Intuitive Touchscreen Controls:** Sleek, modern interface with temperature, lighting, and diagnostics on an easy-to-use interface
- **Total Color Control™ LED Lighting:** 20 curated settings, including four distinct white tones, to create any desired aesthetic
- **Ultra-Quiet Performance:** Powered by Perlick-exclusive variable speed technology, delivering quiet operation without compromising cooling power
- **Triple-Pane Glass Doors:** Low-E, argon-filled, UV-resistant glass reduces energy transfer and strengthens durability
- **Perlick Anti-Condensation System™:** Prevents condensation from forming on the exterior of the cabinet
- **Easy Installation:** Patent-pending front-access leveling legs allow quick adjustments without tipping the unit
- **Better For The Environment Refrigerant:** This product uses R600a refrigerant which has zero ODP and very low GWP
- **Exclusively Perlick:** Exclusively designed, engineered and manufactured by Perlick
- All stainless-steel interiors and exteriors, with 400-series stainless steel
- Sabbath Mode-Star K certified that allows equipment to operate in accordance with Halacha, Shabbat, and Jewish Holidays

G5 Wine Reserve Feature-Benefits

- An open-shelf design lets cold air flow evenly around each bottle, reducing temperature fluctuations and extending wine life
- Vinyl coated steel shelves with stainless steel fronts, shelves are capable of mounting custom wood (or other material) fronts to match custom cabinetry
- 40°F (4.4°C) – 68°F (20°C), Factory Set Point 55°F (12.8°C)



800.558.5592

perlick.com



PERLICK®



G5 24" WINE RESERVE

MODEL NUMBERS		G5WR24SC, G5WR24GC
MODEL DESCRIPTION		WINE RESERVE
OVERALL DIMENSIONS	Width - in. (mm)	23 7/8" (606)
	Depth - in. (mm)	22 1/2" (572)
	Height - in. (mm)	34 5/16" (872)
OPENING DIMENSIONS	Width - in. (mm)	24" (610)
	Depth - in. (mm)	24" (610)
	Height - in. (mm)	34 1/2" (876)
INTERNAL VOLUME Net. Cu. Ft. (L).		5.0 (141)
SHIPPING WEIGHT Lbs. (kg).		245 (111)
EQUIPMENT WEIGHT Lbs. (kg).		206 (94)
ELECTRICAL SPECIFICATIONS	Electrical Supply	115VAC/60 Hz/1 Ph
	Running Load Amps	1.9
	Electrical Connection	Cord connected
	Cord Plug Type	NEMA 3 Prong 5-15P
	Cord Length	6'
	Defrost Initiation	Automatic
	Defrost Type	Off cycle
	Thermostat	Digital
	Lighting Type	LED
REFRIGERATION SPECIFICATIONS	Refrigerant	R600a (57g)
	Expansion Device	Capillary Tube
	Temperature Settings F (C)	40°F (4.4°C) - 68°F (20°C) Factory Set Point 55°F (12.8°C)
	Heat Rejection (at 75°F)	450 BTU/hr
	Front Vented	Yes

Perlick accessories are available for purchase through an authorized Perlick dealer. For a full list of accessories and to find a dealer near you, visit perlick.com



800.558.5592

perlick.com

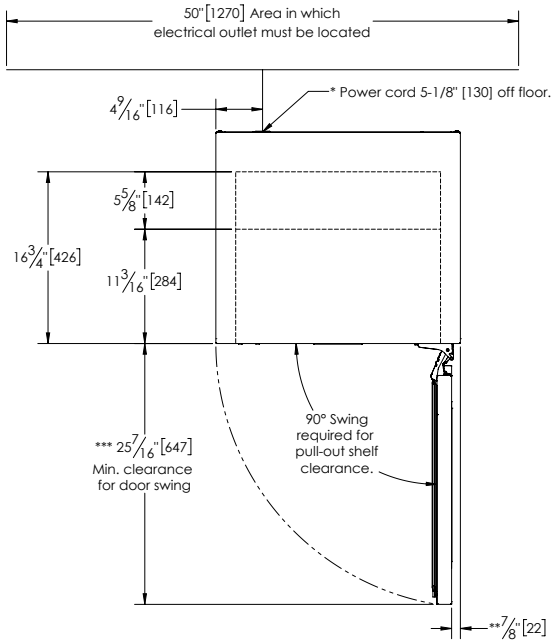


PERLICK®

R RESIDENTIAL



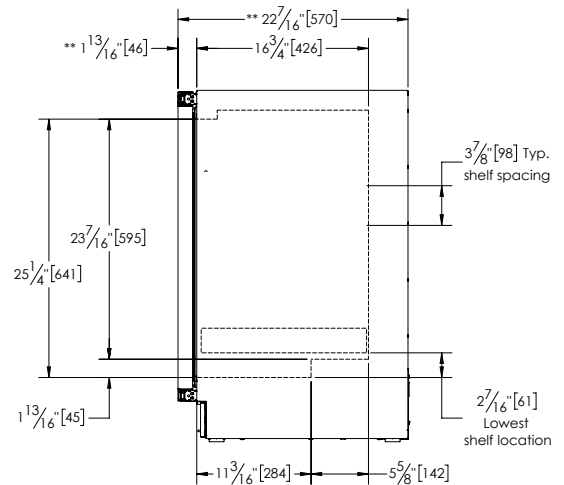
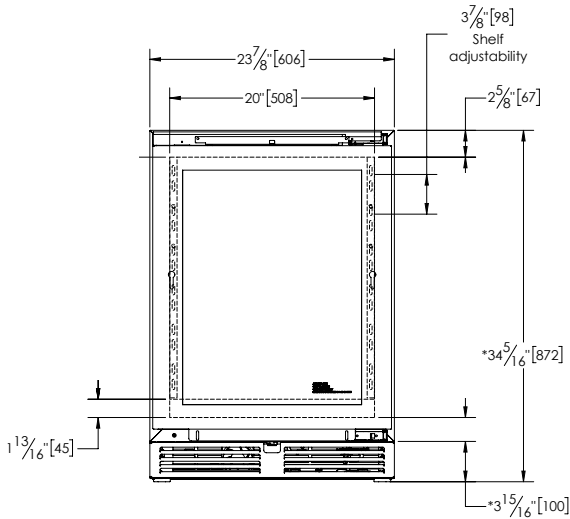
G5 24" WINE RESERVE



* - Leg levelers can add 3/4" [19] to these dimensions when fully extended.

** - Overlay will add additional 3/4" [19] to overall depth. In addition, overall depth will change depending on handle selected.

*** - Minimum clearance for door swing is shown without door overlay installed



800.558.5592

perlick.com