



XOVD136_
XOVD148_
DESIGNER CANOPY

HOW BEAUTIFUL KITCHENS BREATHE



POWERED BY XOIL INSERT /LINER

- Choose from 2 Sizes and 4 Finishes
- Choose CCC 395 | 600 CFM or 1000 CFM
- Optional ADA Compliant Remote Control
- 5 Minute delay function

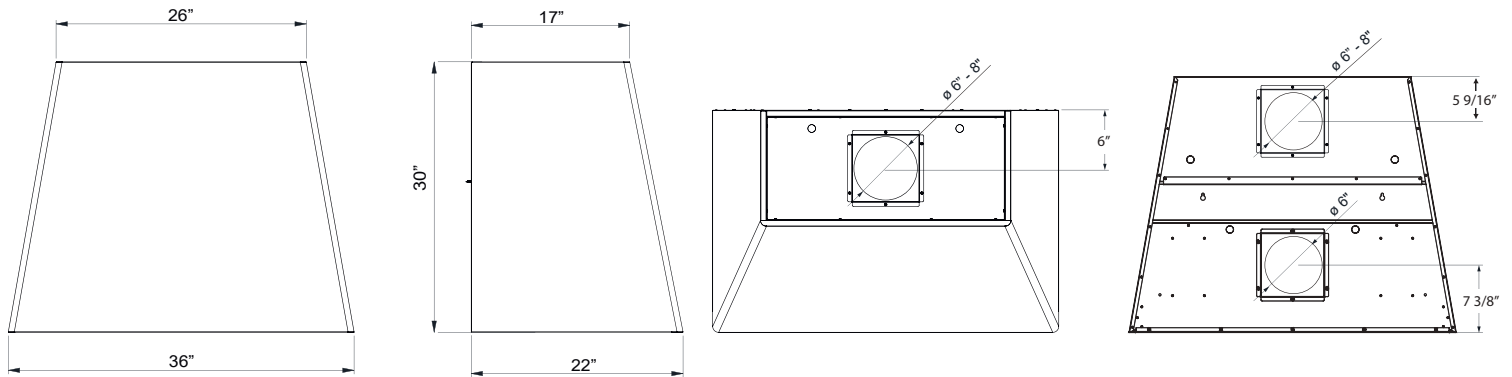
DESIGNED AND CRAFTED IN ITALY

Get your custom look without the wait. Powered by an XOIL Insert/Liner, the XOVD1 canopies are available in two sizes and four designer finishes. Proven performance in an elegant factory fitted shell available off the shelf.

At XO, we believe that a good design is something everyone can afford

WORLD CLASS SERVICE | COMPREHENSIVE WARRANTIES
OUR LASTING COMMITMENT TO YOU





Specify: XOVD136SS (Stainless Steel) | XOVD136MB (Black) | XOVD136MW (White) | XOVD136SG (Gold)

This model requires the purchase of either:
 XOIL3619SC (395 | 600 CFM) or XOIL3619KSE (1000 CFM)
 Combination Insert/Liner



FEATURES

FINISH

- Stainless Steel
- Matte Black
- Matte White
- Satin Gold



FEATURES

- Electronic 3 Speed Control
- CCC Code Compliance Control - 395 or 600 CFM or Choose 1000 CFM Insert
- High Efficiency 3000K LED Lights (x2)
- Dishwasher Safe SS PRO Baffle filters
- 5 Minute Delay Shutoff Timer
- 6" Vertical or Rear Duct (600 CFM Max)
- 8" Vertical Duct (1000 CFM)
- Made In Italy
- Two Year In-Home Parts and Labor Warranty

PERFORMANCE

SPEED	1	2	3	BOOST
CFM	160	250	395	600
SONES	1.0	2.5	4.0	6.5
CFM	200	590	1000	---
SONES	2.0	6.4	8.0	---

SPECIFICATIONS

ELECTRICAL 120V 60Hz 3.6 AMP (SC)
 120V 60Hz 6.6 AMP (KSE)

DIMENSIONS

36" W x 22" D x 30" H

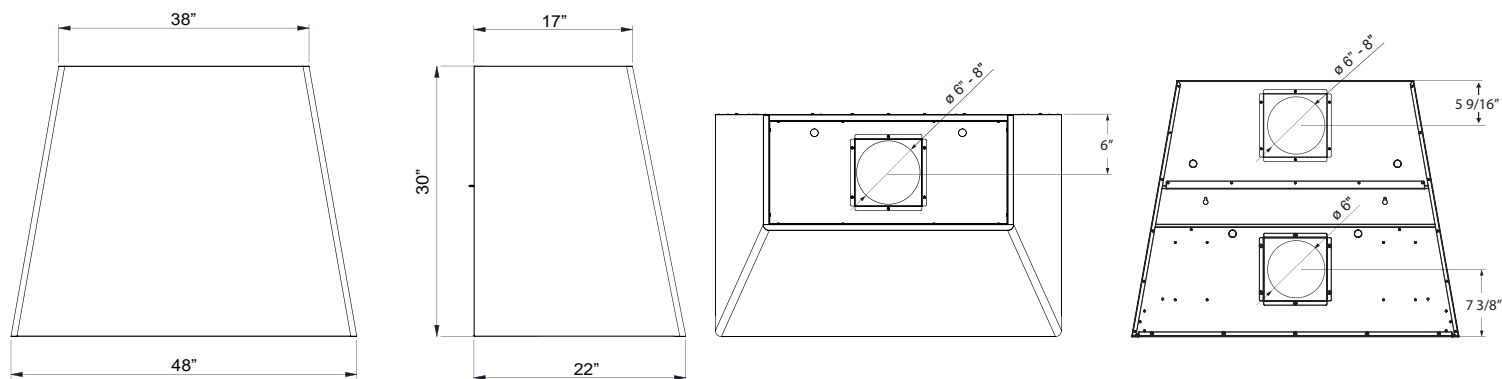
MOUNTING HEIGHT

ABOVE COOKING 27" - 32"

OPTIONS

- Recirculation Kit* **XORFK12**
- Recirculation Filters **XORFRND**
- ADA Compatible Remote **XOVREMOTE1**
- Make Up Air Kit (6") **XOMA06**
- Make Up Air Kit (8") **XOMA08**

*Recirculation limited to 600 CFM Max Blowers. Filtered, recirculated air must be returned to the living space.



Specify: XOVD148SS (Stainless Steel) | XOVD148MB (Black) | XOVD148MW (White) | XOVD148SG (Gold)

This model requires the purchase of either:
 XOIL4819SC (395 | 600 CFM) or XOIL4819KSE (1000 CFM)
 Combination Insert/Liner



FEATURES

FINISH

Stainless Steel
 Matte Black
 Matte White
 Satin Gold



FEATURES

- Electronic 3 Speed Control
- CCC Code Compliance Control - 395 or 600 CFM or Choose 1000 CFM Insert
- High Efficiency 3000K LED Lights (x2)
- Dishwasher Safe SS PRO Baffle filters
- 5 Minute Delay Shutoff Timer
- 6" Vertical or Rear Duct (600 CFM Max)
- 8" Vertical Duct (1000 CFM)
- Made In Italy
- Two Year In-Home Parts and Labor Warranty

PERFORMANCE

SPEED	1	2	3	BOOST
CFM	160	250	395	600
SONES	1.0	2.5	4.0	6.5
CFM	200	590	1000	---
SONES	2.0	6.4	8.0	---

SPECIFICATIONS

ELECTRICAL 120V 60Hz 3.6 AMP (SC)
 120V 60Hz 6.6 AMP (KSE)

DIMENSIONS

48" W x 22" D x 30" H

MOUNTING HEIGHT

ABOVE COOKING 27" - 32"

OPTIONS

Recirculation Kit* **XORFK12**
 Recirculation Filters **XORFRND**
 ADA Compatible Remote **XOVREMOTE1**
 Make Up Air Kit (6") **XOMA06**
 Make Up Air Kit (8") **XOMA08**

*Recirculation limited to 600 CFM Max Blowers. Filtered, recirculated air must be returned to the living space.

RECOMMENDED MOUNTING HEIGHT

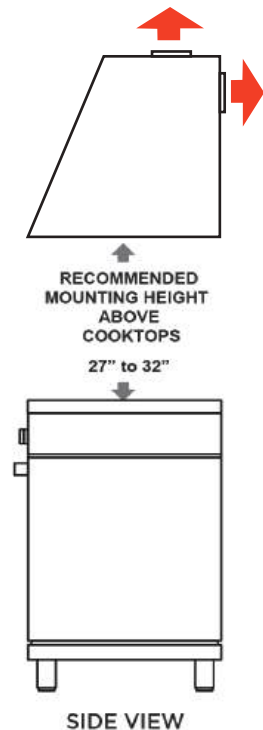
All range hoods have a recommended range of installation height over the cooking surface. However cooking styles, types of cooking equipment and installation limitations can vary greatly. For installations outside the recommended range - consult XO.

DEPENDING UPON THE XOIL INSERT MODEL USED YOUR INSTALLATION MAY REQUIRE EITHER A 6" OR 8" DUCT - SOME INSTALLATIONS MAY PERMIT A REAR EXHAUST DISCHARGE. CONSULT THE MANUAL FOR ADDITIONAL INFORMATION.

RECIRCULATION

Recirculation of the exhaust is possible but is limited to 600 CFM Maximum.

An accommodation must be made to return the filtered exhaust to the living space. Never discharge the exhaust into a confined space such as a soffit, attic, garage, crawl space or the voids between walls.



HOW DOES CODE COMPLIANCE CONTROL HELP -



CODE COMPLIANCE CONTROL (CCC) enables the installer to re-program the hood as it is being installed. **Your XO Hood is set to operate at 600 CFM maximum at the factory.**

Re-programming is accomplished quickly and requires no special tools or additional parts but once done, the air flow rate is limited to a maximum of 395 CFM below the 400 CFM cap that most local codes impose eliminating the need for additional controls.

Re-programming also disables the Power Boost function. After conversion, the installer affixes a label stating the unit has been converted to 395 CFM max. Once done, the unit cannot be changed back.

If your application calls for a make-up air solution, XO gives you more choices.

Code Compliance Controls are not available on 1000 CFM models.