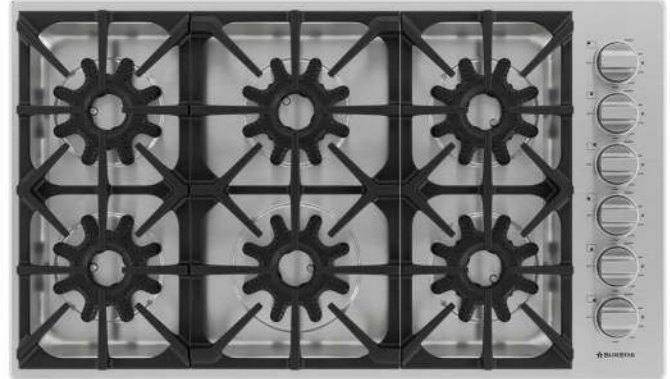


BlueStar is extending the innovative X-8™ burner technology from its dual fuel range line into cooktops. The new X-8™ cooktop will be the most powerful with 95,000 BTUs. Our exclusive X-8™ star-shaped sealed burner offers unmatched versatility and control on EVERY burner. A 25,000 BTU burner, plus 14,000 BTU burners, all go down to 500 BTUs. Customize with 190 painted knob colors & multiple trim options.



## PRODUCT FEATURES

- Most powerful gas cooktop with 95,000 BTUs
- Six exclusive X-8™ sealed burners with full-spectrum power, performance & versatility from EVERY burner
- One 25,000 BTU power burner
- Five 14,000 BTU burners
- Low 500 BTU setting on every single burner
- Professional grade cast iron grates
- Customize with 190 painted knob colors & multiple trims
- Handcrafted in Pennsylvania since 1880

## MODEL CONFIGURATION

6 Burners   Natural Gas	BSDCTX8366B
6 Burners   LP/Propane Gas	BSDCTX8366BL

## SPECIFICATIONS

Unit Dimensions: 36"W x 21"D x 4"H  
 Top Burner Power: 25,000 BTUs  
 Low Burner Power: 500 BTUs (All Burners)  
 Electrical Requirements: 120V, 60Hz, 15 AMPs, 1 PH  
 (Unit must be on a Non-GFI, dedicated outlet)  
 Operating Gas Pressure: NAT: 5.0" WC, LP: 10.0" WC  
 Incoming Gas Line: 1/2"

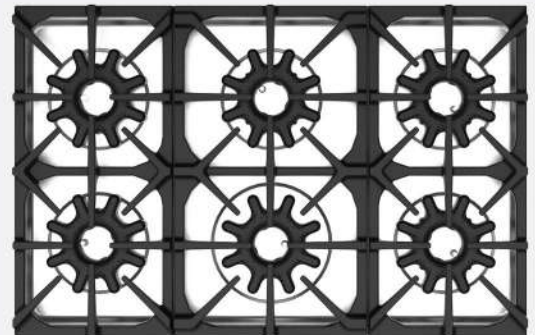
## ADDITIONAL CUSTOMIZATION OPTIONS

- 190 painted knob colors & multiple trim options

*All specifications subject to change without notice.  
 Visit [www.bluestarcooking.com](http://www.bluestarcooking.com) prior to site preparation or installation.*

## BURNER CONFIGURATION

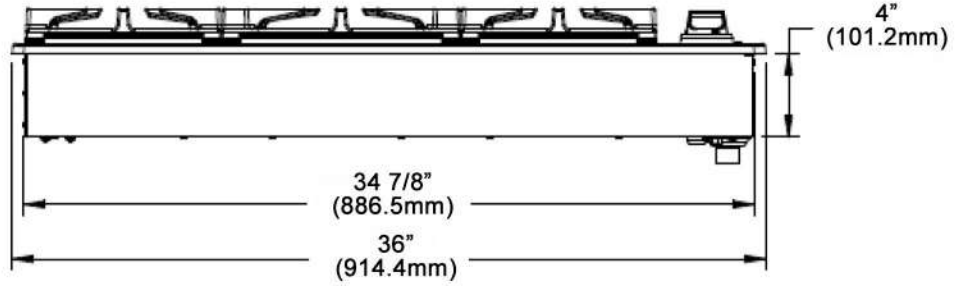
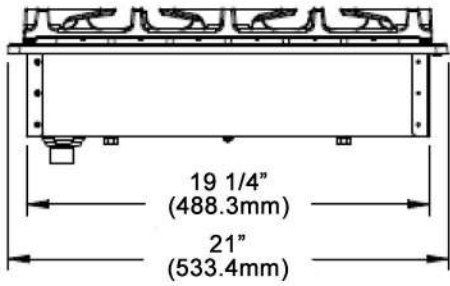
14,000 BTUs    14,000 BTUs    14,000 BTUs



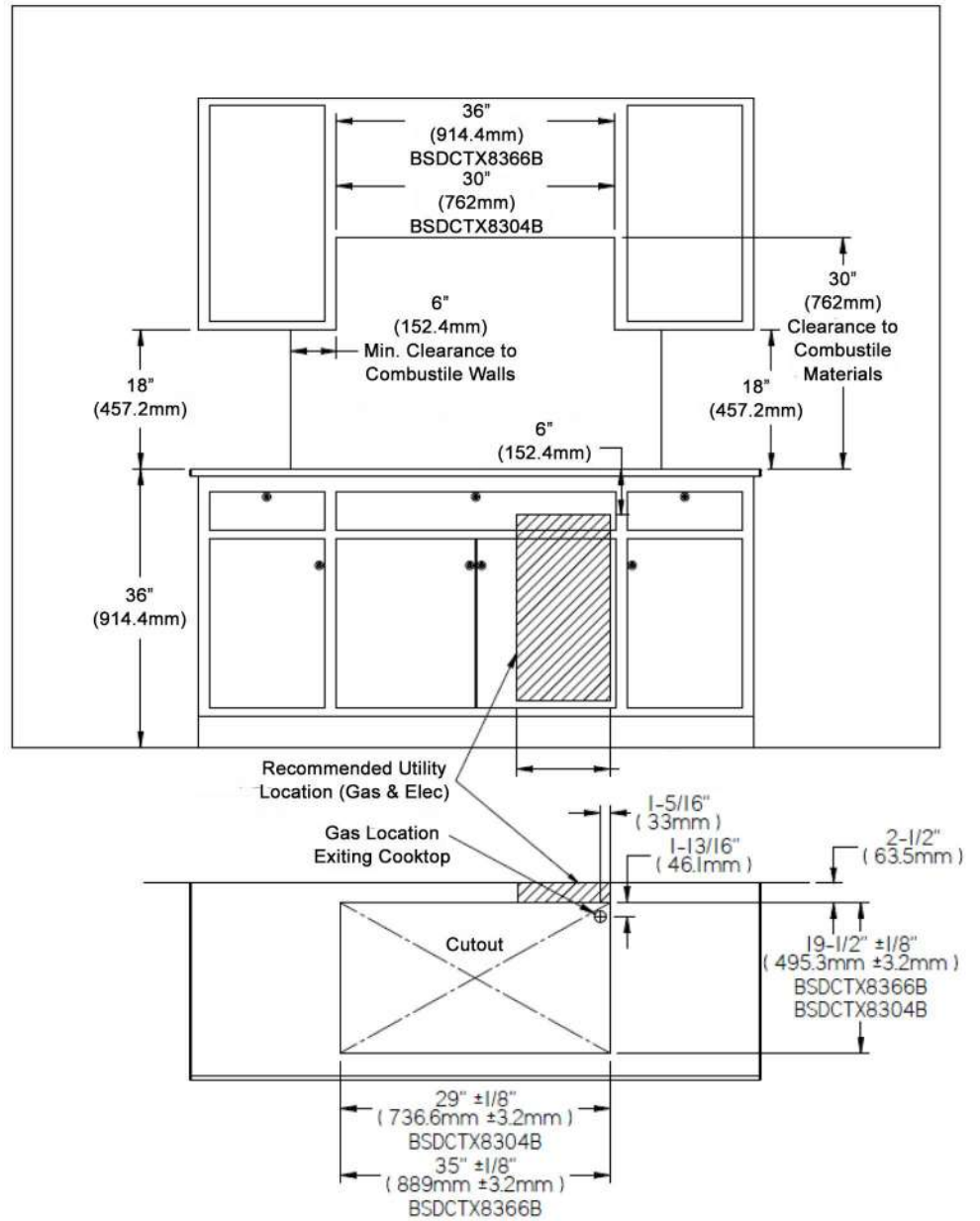
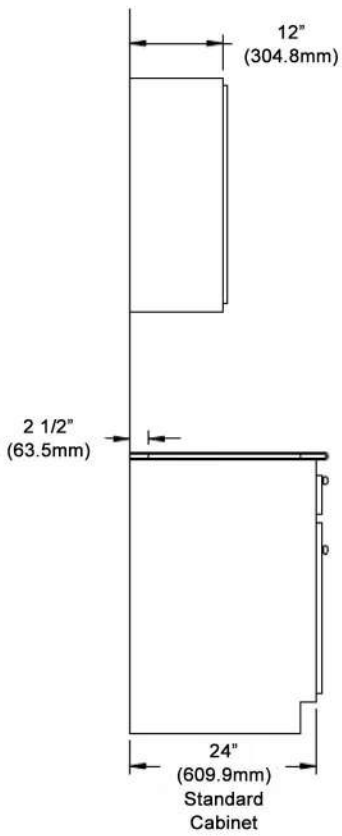
14,000 BTUs    25,000\* BTUs    14,000 BTUs

(\* ) 4% less output when configured for LP/Propane





### Front View



### Side View

### Top View