



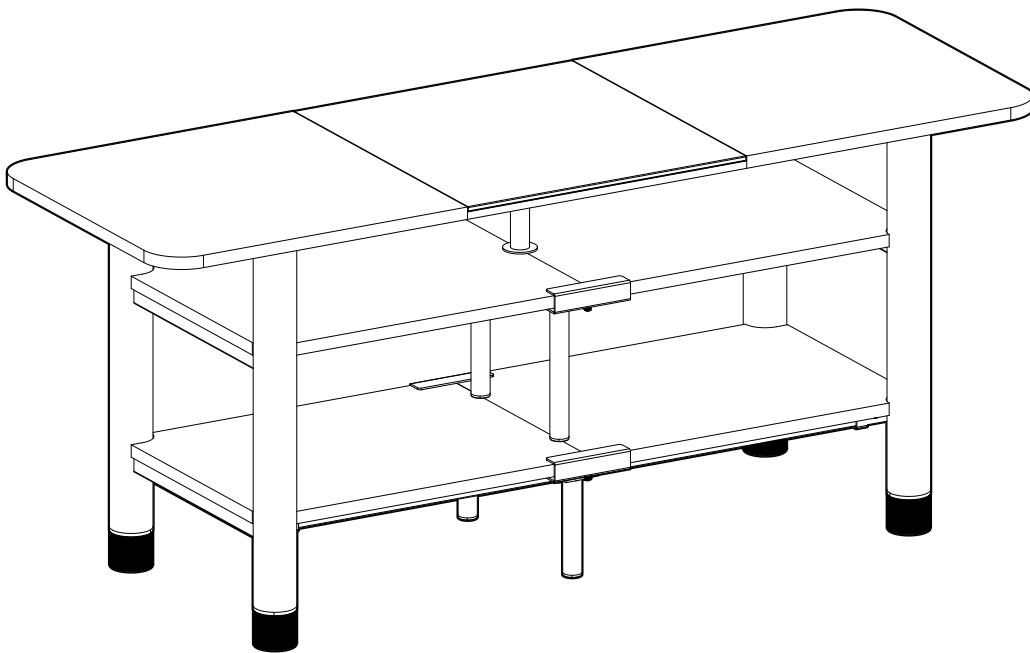
# Folding Furniture Instruction Manual

Rev00

English 02-09

Français 10-17

Español 18-25



**Model: ERTFS1-01B/ERTFL1-01B**

**Thank you for choosing ErgoAV!**

At ErgoAV, our goal is to add value to your AV experience by providing the highest quality products and services in the industry. If you have any questions or concerns, please contact us.

✉ [support@ergoav.com](mailto:support@ergoav.com)

☎ (877) 419-7832 Mon-Fri 8am - 8pm (CST)

🌐 [www.ergoav.com](http://www.ergoav.com)

🏢 ErgoAV

📍 9501 Louisiana Ave N, #200, Brooklyn Park, MN 55445

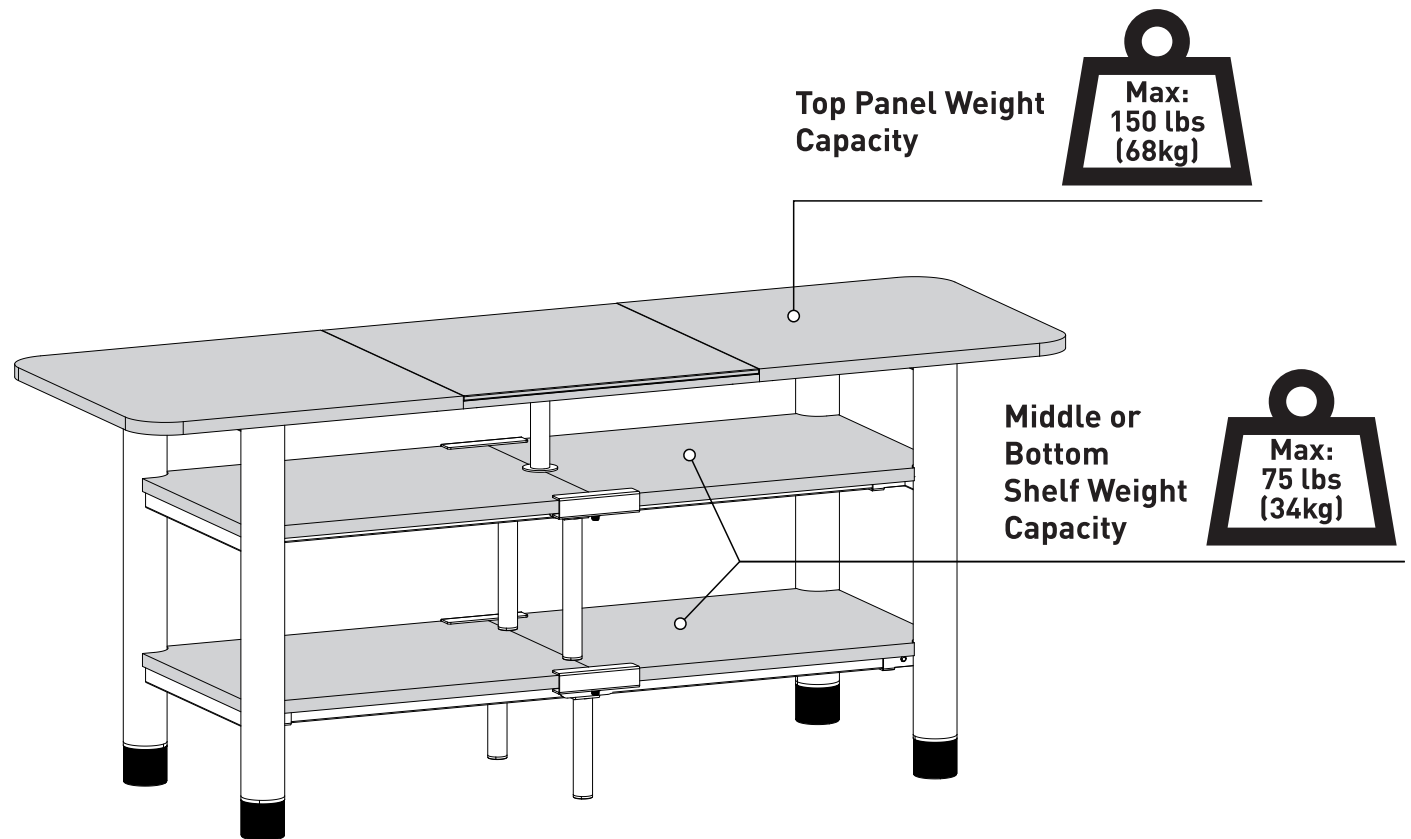
## Important Safety Information

**⚠ DANGER:** Please carefully read all instructions before attempting installation. If you DO NOT understand the instructions or have any questions or concerns, please call technical support or email customer service.

**⚠ CAUTION:** Avoid the risk of personal injury and property damage!

- DO NOT use this product for any purpose that is NOT explicitly specified in this manual. DO NOT exceed the maximum weight capacity. We are not liable for damage or injury caused by incorrect assembly, improper mounting, or inappropriate use.
- The information contained in this manual DOES NOT cover all possible conditions or variables in relation to the installation of this product. The information provided in this document is subject to change without notice.

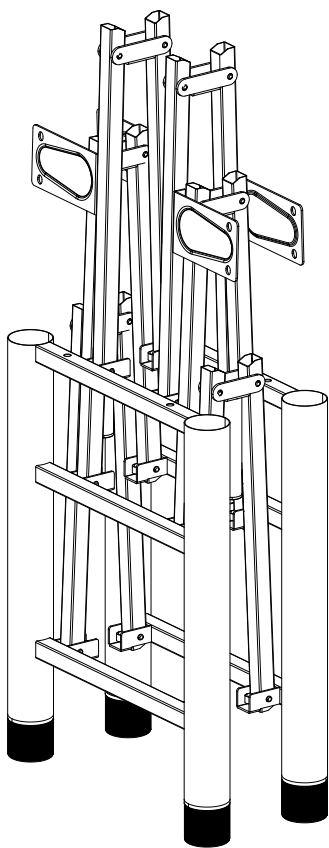
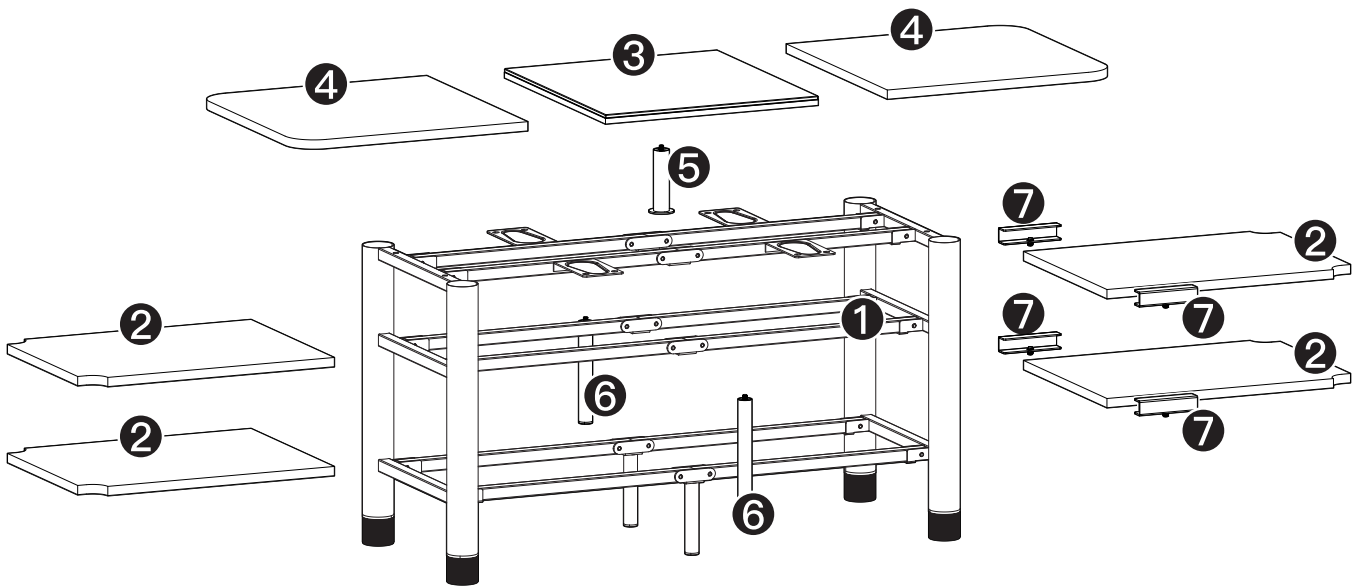
## Weight Restrictions



### **⚠ WARNING**

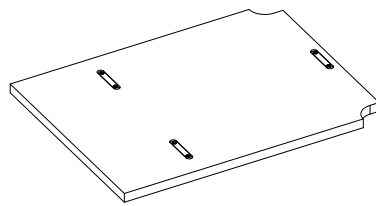
DO NOT exceed the maximum weight indicated. This folding furniture is intended for use only within the weight ranges listed. Use with products heavier than the maximum weight limit may result in failure of the folding furniture, causing potential damage and or injury. NO NOT exceed the specified weight limits.

# Supplied Parts and Hardware



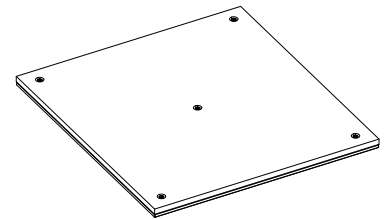
Foldable Frame

**1** x 1



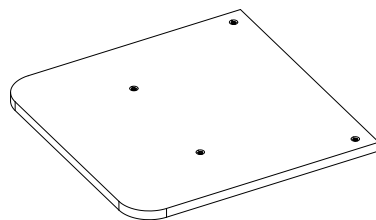
Shelf

**2** x 4



Top Middle Panel

**3** x 1



Top Side Panel

**4** x 2



Center Support

**5** x 1



Shelf Support

**6** x 2



Shelf Connector

**7** x 4



Bolt  
M6 x 30mm

**A** x 4



Bolt  
M6 x 10mm


**B** x 8

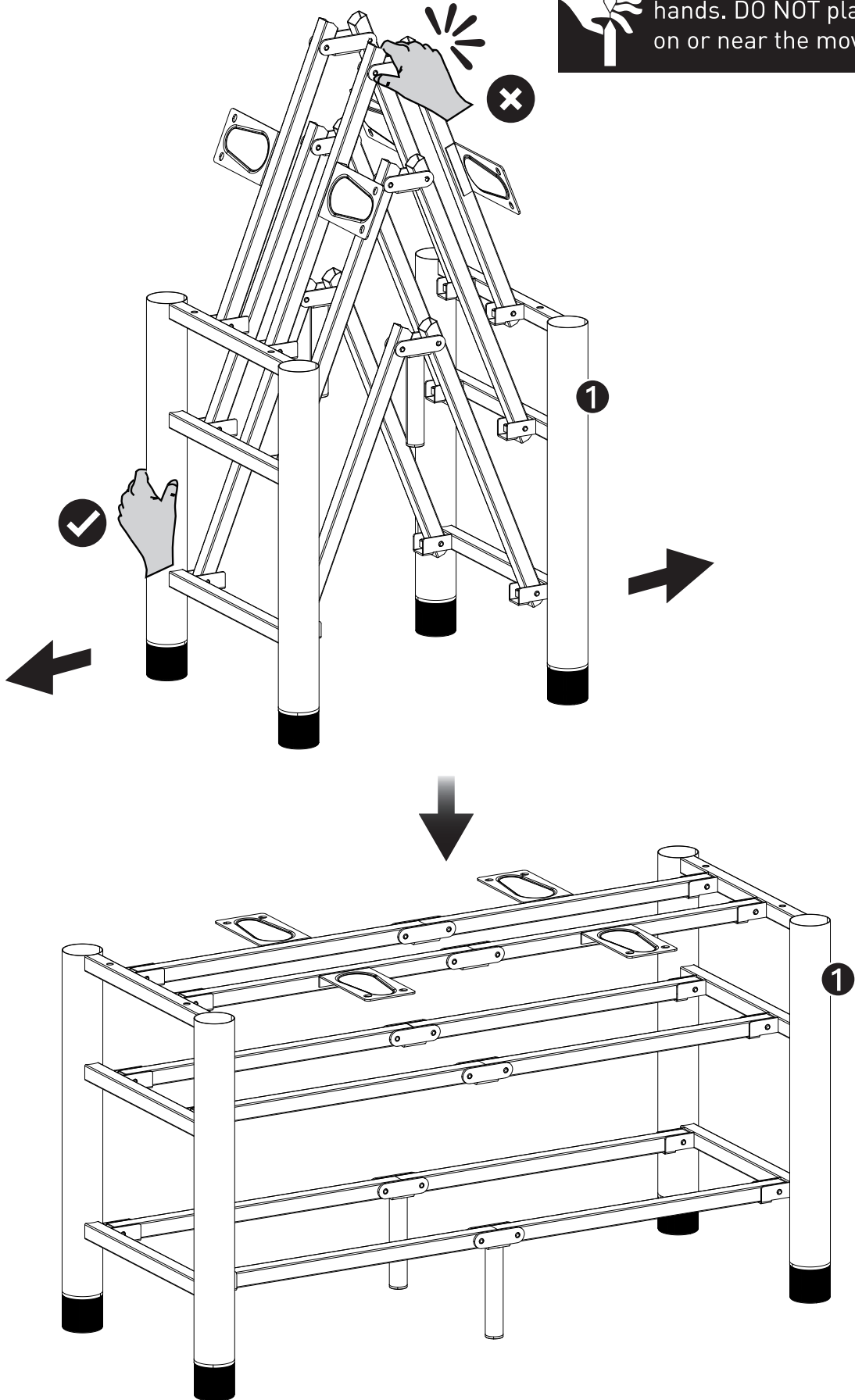



Allen Key  
4mm

**C** x 1

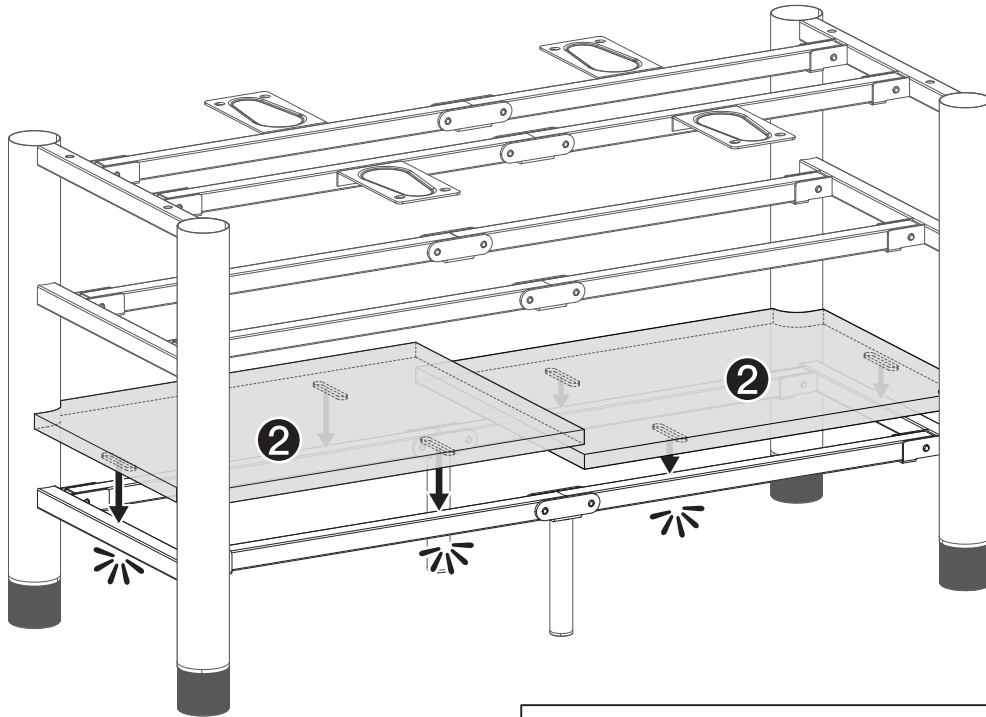
# STEP 1 Unfold the Frame

 **WARNING:** When folding or unfolding the frame, be careful not to pinch your hands. DO NOT place hands on or near the moving joints.



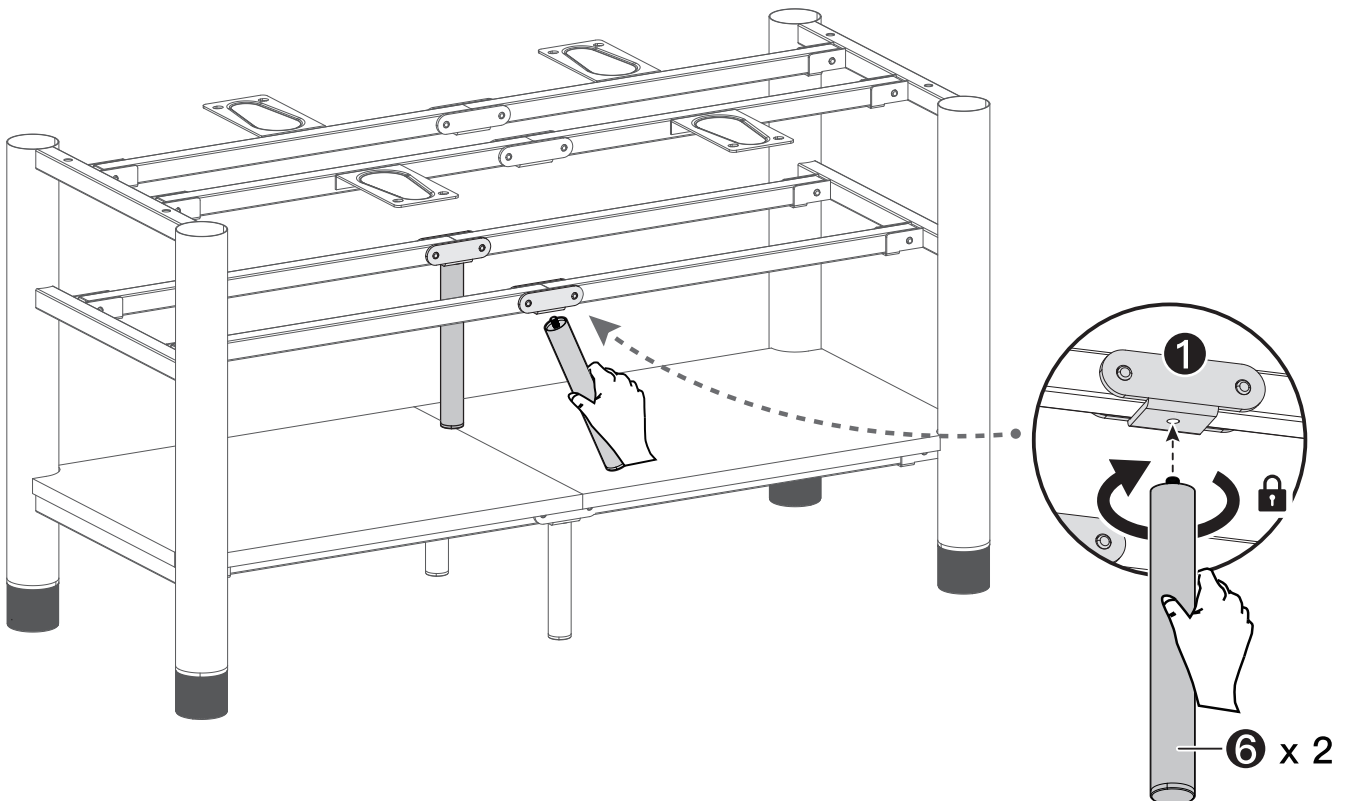
## STEP 2 Attach the Shelves and Shelf Supports

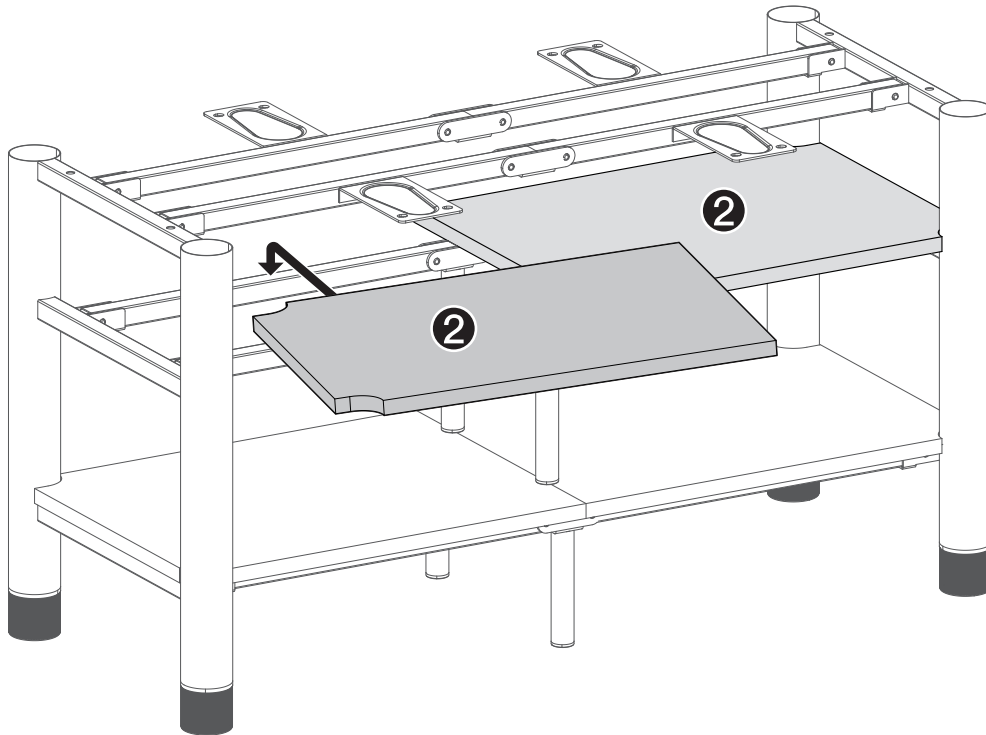
1



**⚠ Note:** There are magnets underneath the shelf ② that can be attached to the frame.

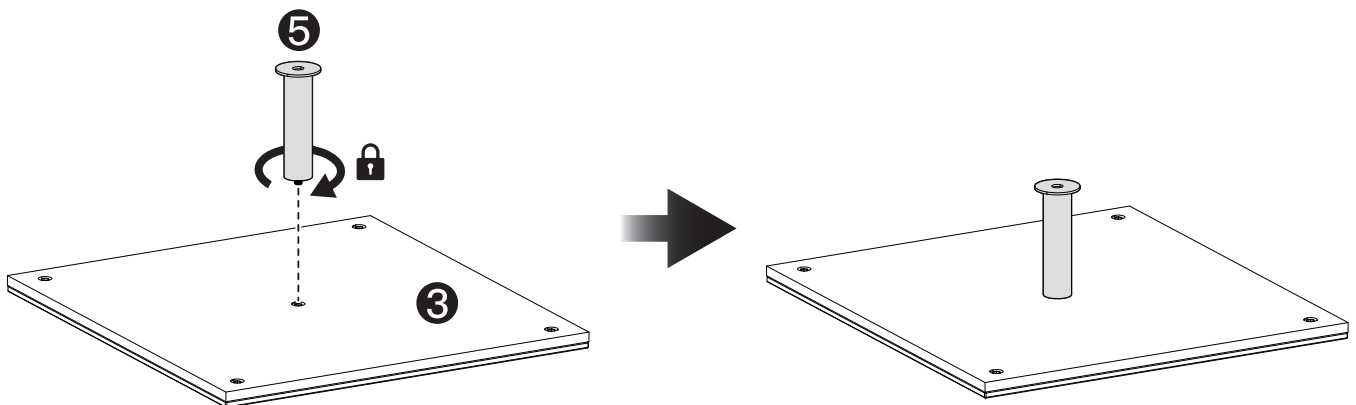
2

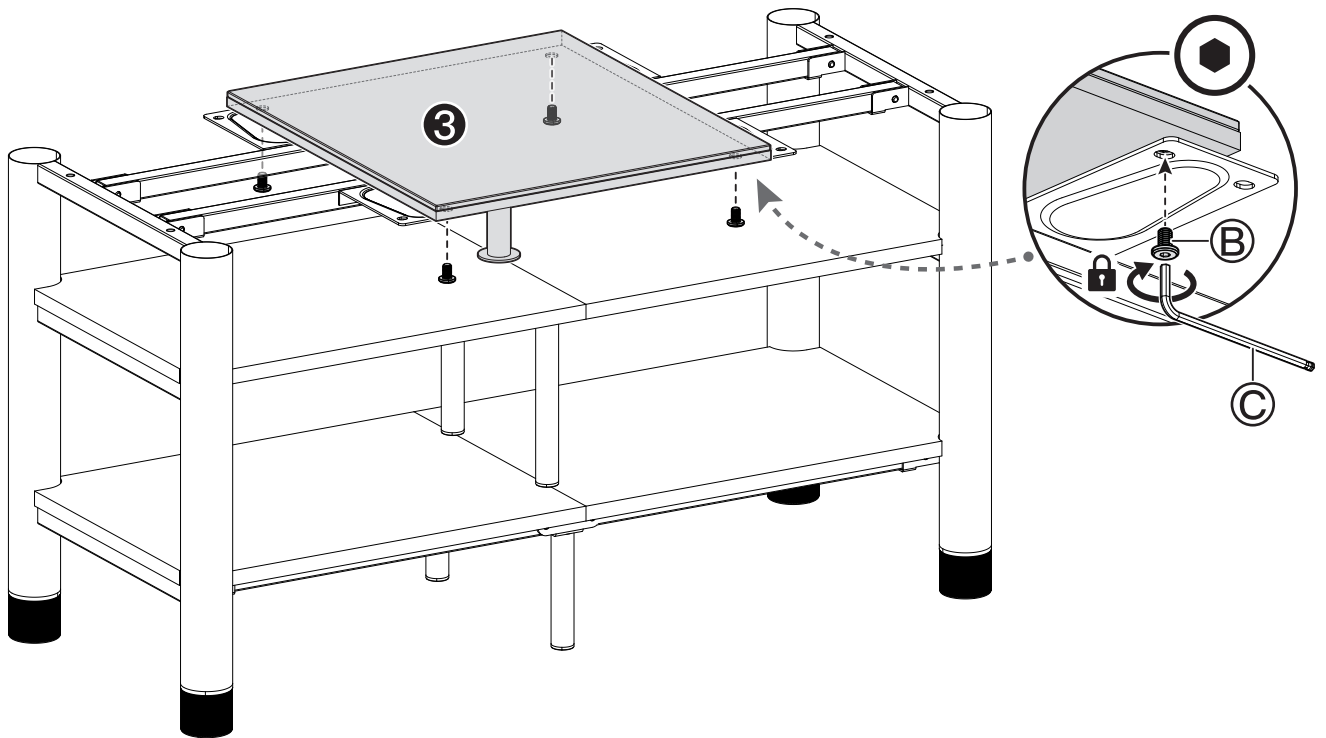
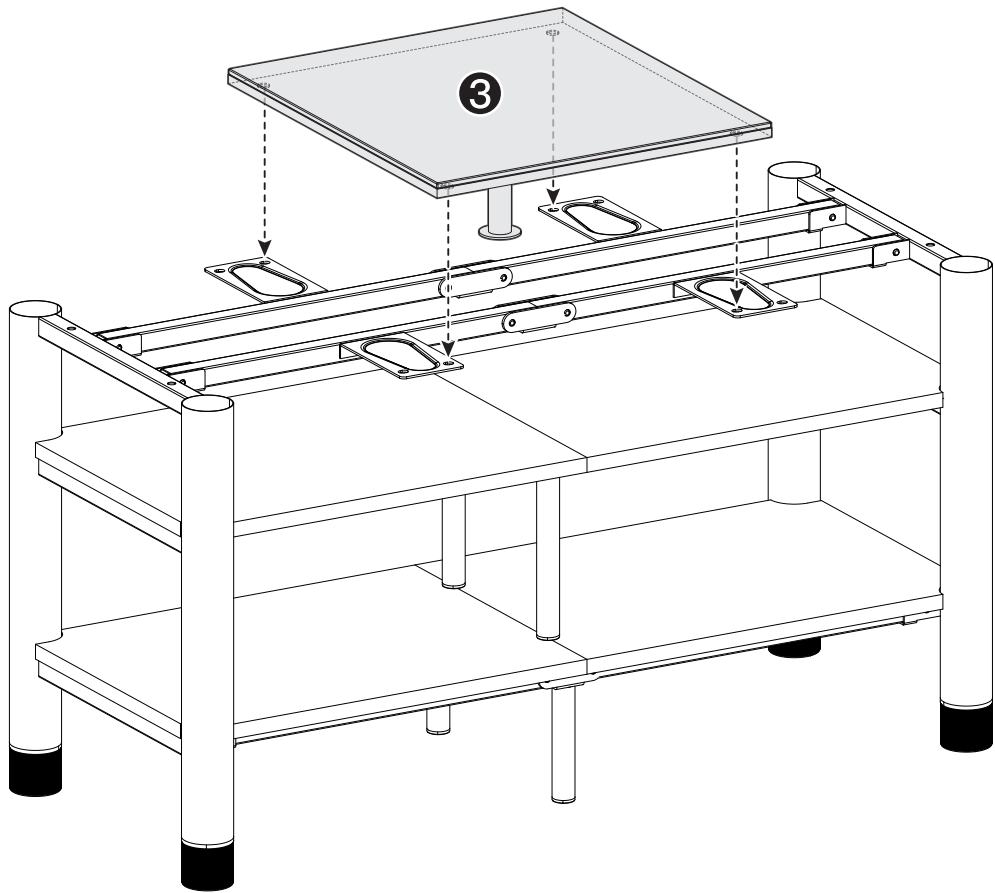
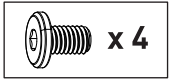




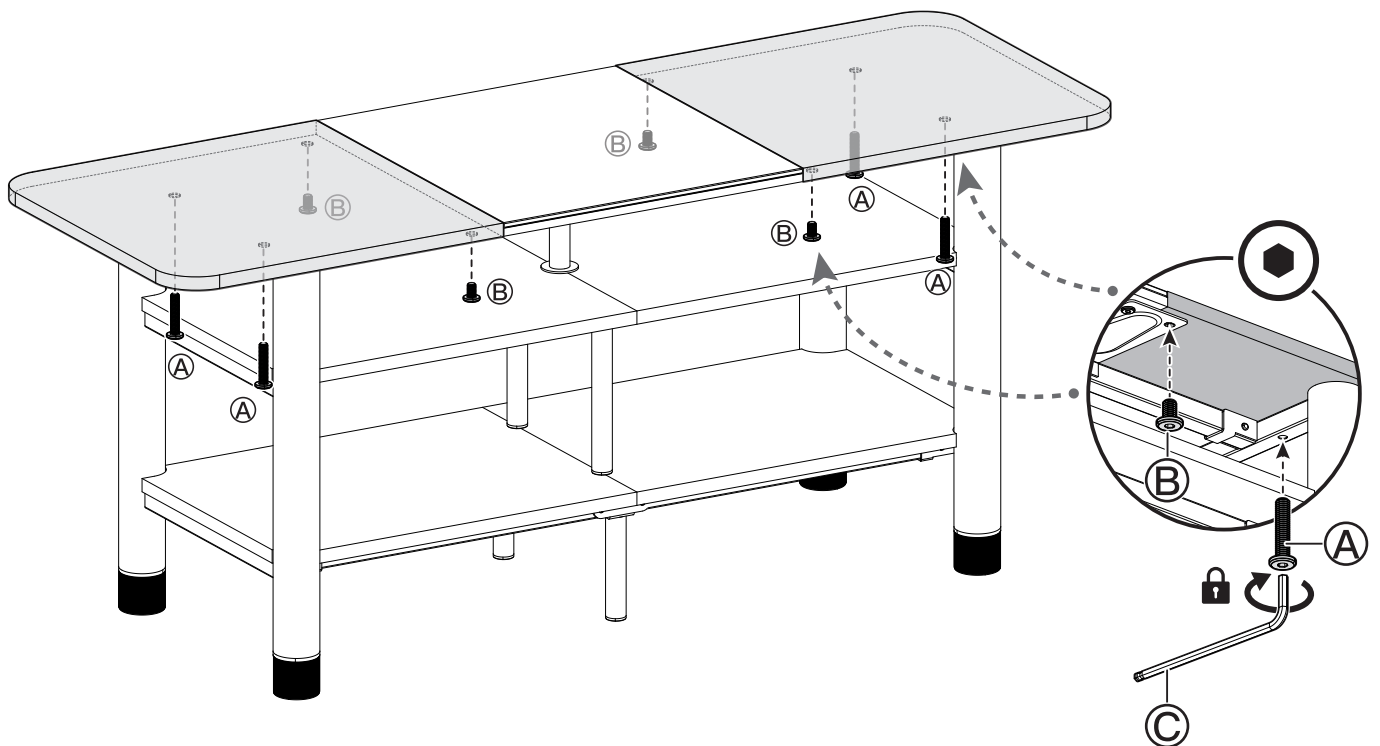
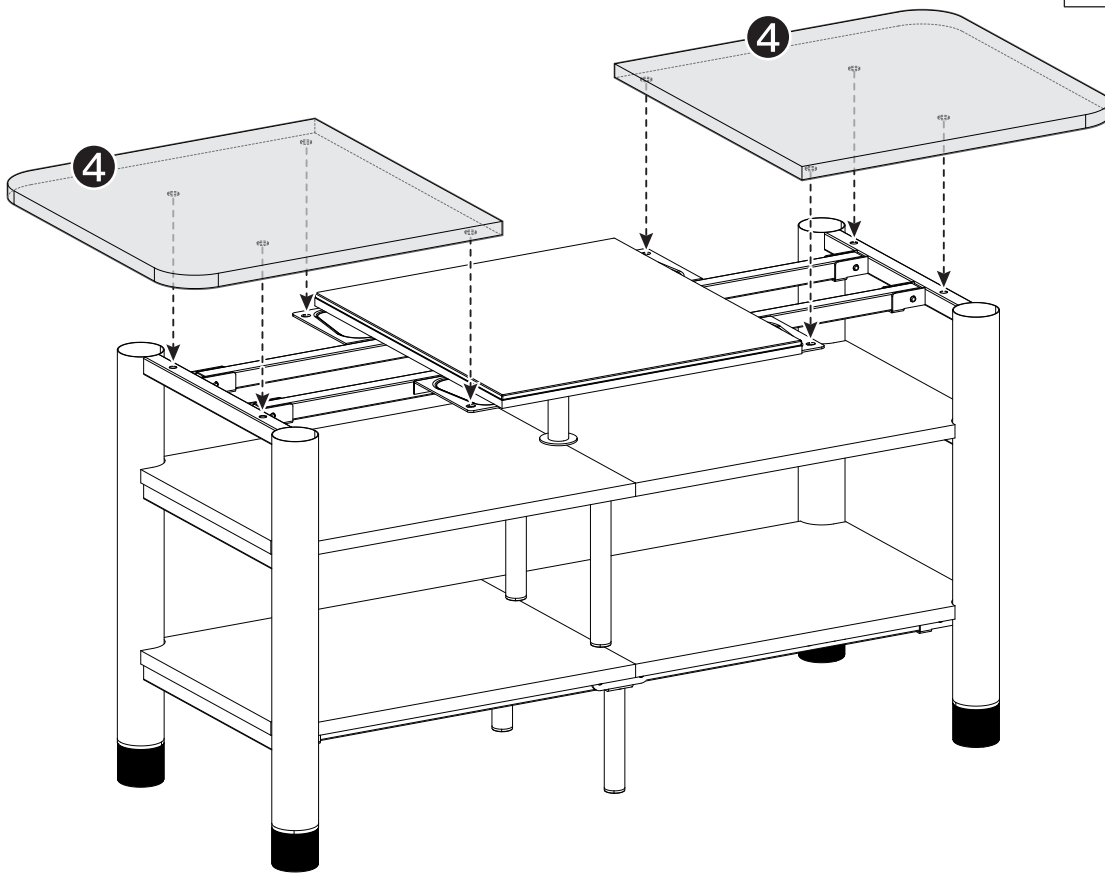
### STEP 3 Assemble and Attach the Top Middle Panel

1

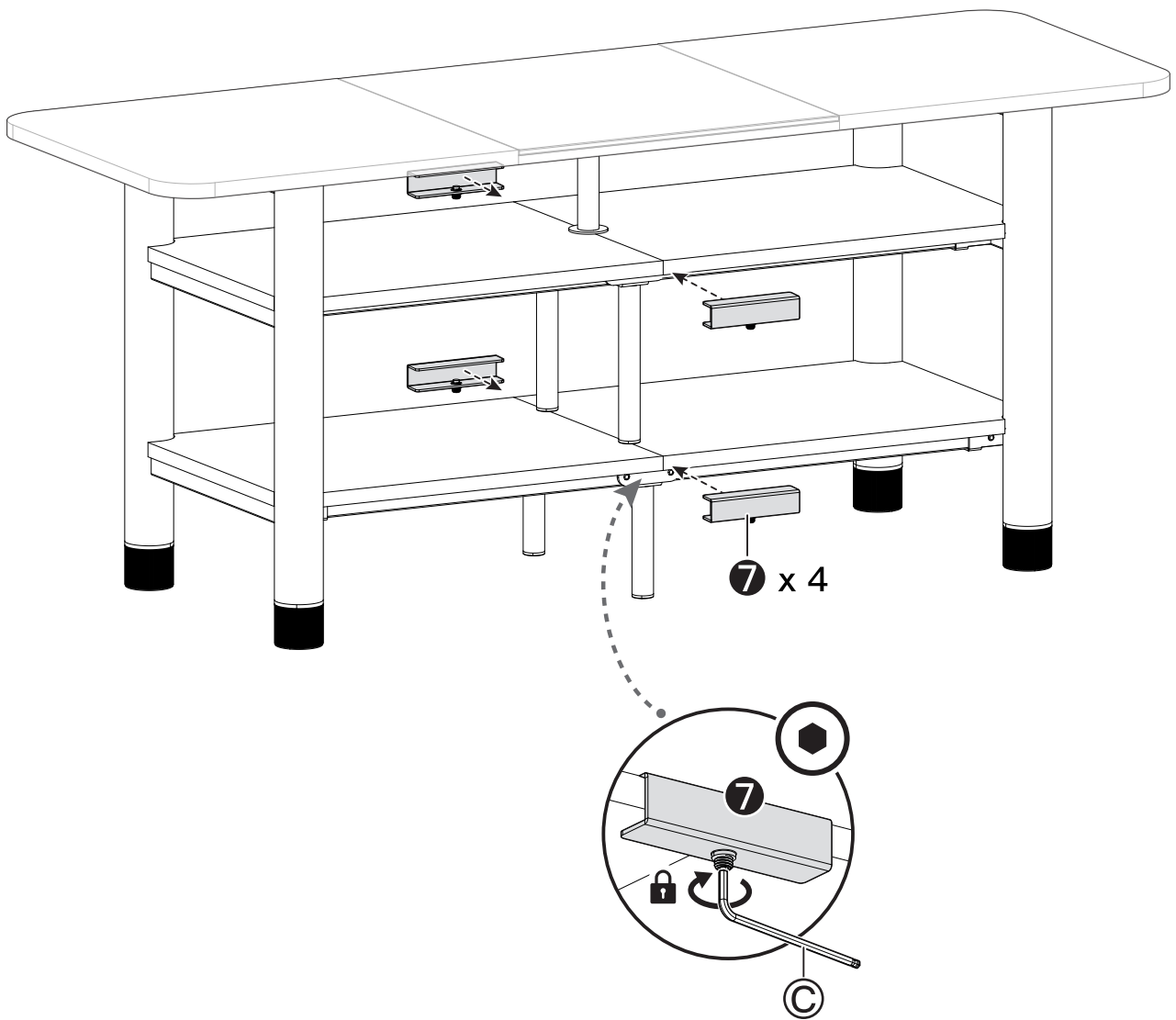




# STEP 4 Attach the Top Side Panels

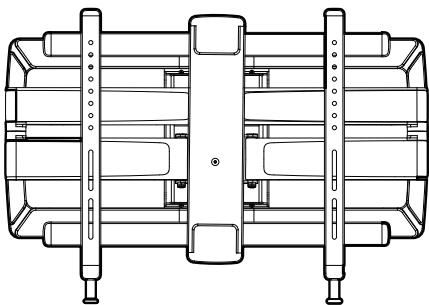


## STEP 5 Attach the Shelf Connectors

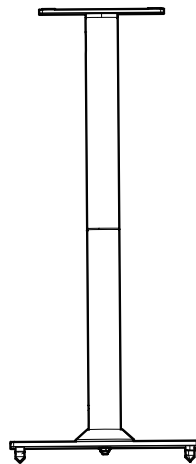


# ERGOAV™

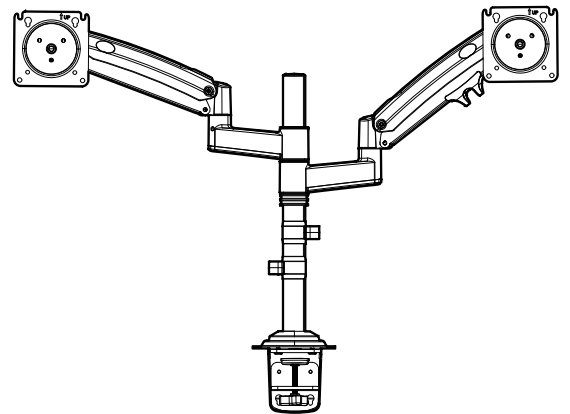
At ErgoAV, our goal is to provide the high-quality audio video solutions and product support that you need. If you have any questions, concerns, or feedback, please let us know!



**TV Mounts**



**Speaker Stands**



**Computer Monitor Mounts**

 (877) 419-7832 Mon-Fri 8am - 8pm (CST)

 [support@ergoav.com](mailto:support@ergoav.com)

 [www.ergoav.com](http://www.ergoav.com)

 ErgoAV

 9501 Louisiana Ave N, #200, Brooklyn Park, MN 55445