



ASSEMBLY INSTRUCTIONS COASTER FINE FURNITURE



Fine Furniture for every stage of life

951839
Accent Cabinet

REVISION 0 : 12/27/2021
REVISION 1 : 07/15/2022

COASTERFURNITURE.COM

PAGE 1 OF 5

ITEM: 951839

ASSEMBLY INSTRUCTIONS

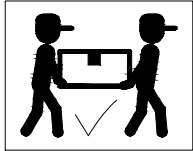
ASSEMBLY TIPS:

1. Remove hardware from box and sort by size.
2. Please check to see that all hardware and parts are present prior to start of assembly.
3. Please follow attached instructions in the same sequence as numbered to assure fast & easy assembly.



WARNING!

1. Don't attempt to repair or modify parts that are broken or defective. Please contact the store immediately.
2. This product is for home use only and not intended for commercial establishments.



ASSEMBLY TIME

20 MINUTES

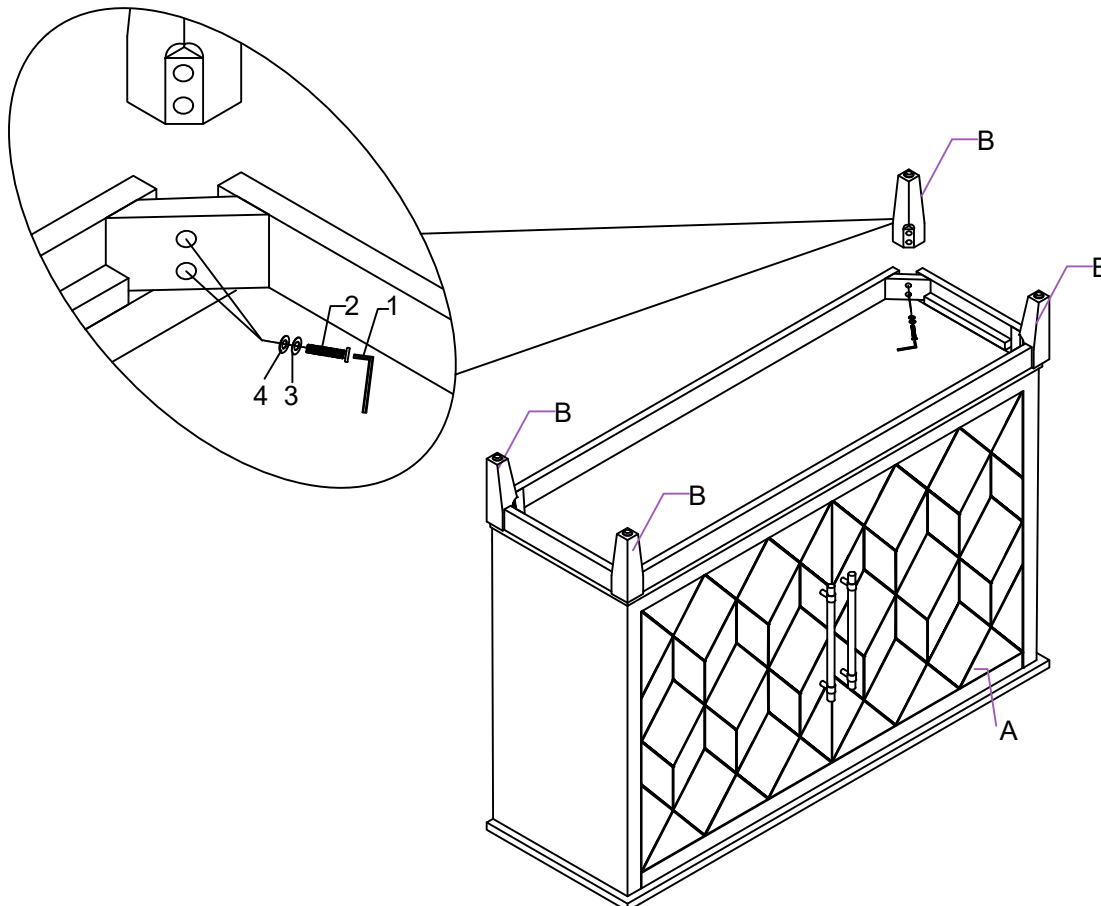
PARTS IDENTIFICATION

A	CABINET		1PC
B	LEG		4PCS
C	HANDLE		2PCS

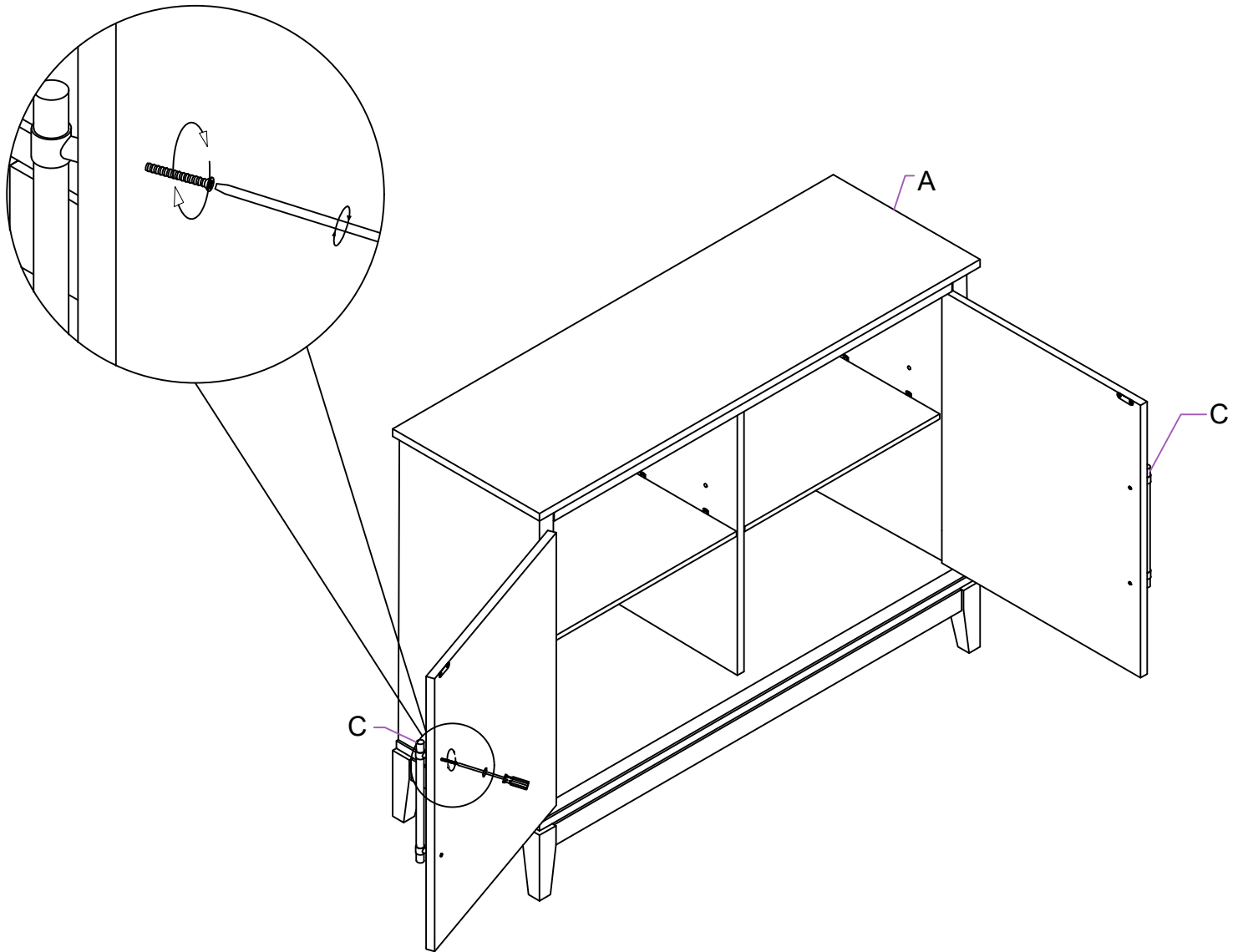
Z HARDWARE IDENTIFICATION

1	ALLEN WRENCH		Ø5mm	1PC
2	BOLT		Ø8*40mm	8PCS
3	LOCK WASHER		Ø8mm	8PCS
4	FLAT WASHER		Ø8mm	8PCS

STEP 1


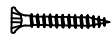




STEP 2



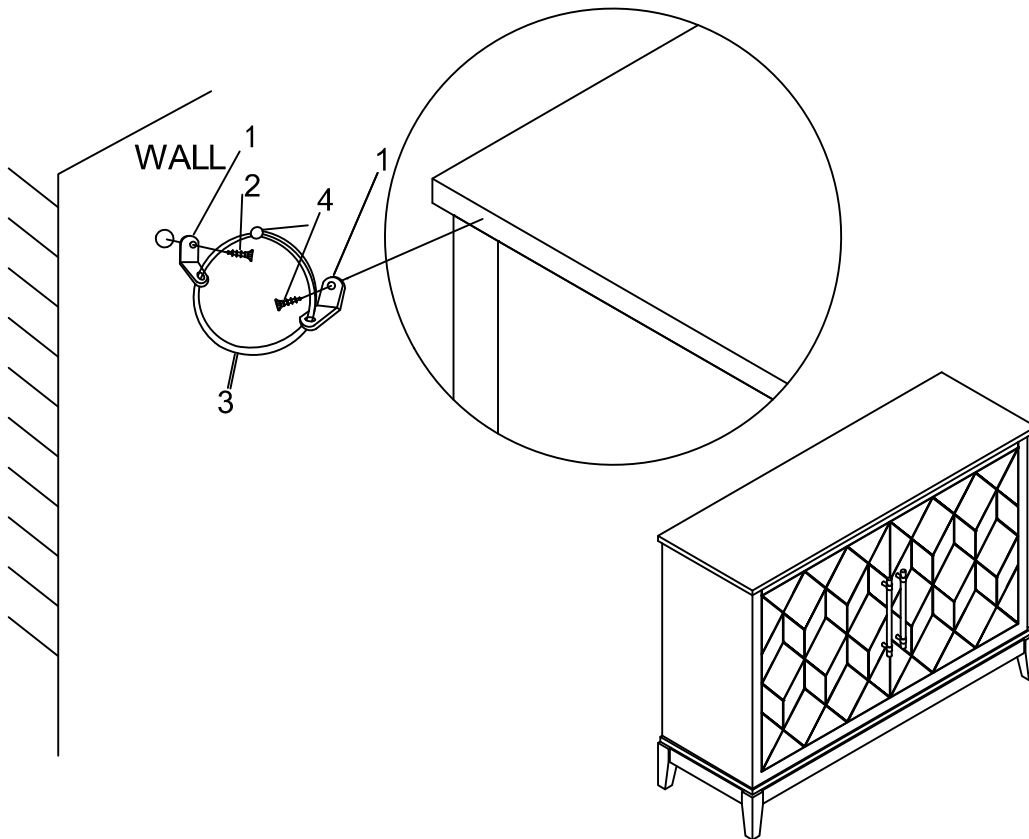
ITEM: 951839

Z HARDWARE PACKAGE

NO.	DESCRIPTION	FIGURE	SIZE	Q'TY
1	PLUG			2PCS
2	LARGE SCREW		Ø8x2"	1PC
3	TIGHTWIRE			1PC
4	SHORT SCREW		Ø8x3/4"	1PC

Please install the Anti tipping hardware as shown in the drawing - this can help to prevent any tipping issues.

ATTENTION: Anti tipping safeguard



FURNITURE TIPPING RESTRAINT

WARNING

Injury may result from tipping furniture
This restraint is not a substitute for proper adult supervision
This restraint may provide protection against tipping furniture.
Do not allow children to climb on furniture.
Failure to detach this restraint before moving furniture may result in injury and damage

ITEM: 951839

