

---

# WARMING DRAWER INSTALLATION GUIDE

---

Components required	3
Accessing your product specifications	4
Unpack product	6
Position in cavity	7
Fit drawer panel	9
Adjust drawer	11
Checklist	12

**INTEGRATED**

WB30SDEI3

# COMPONENTS REQUIRED

---

## TOOLS

### Not supplied

- T20 star-head screwdriver
- 3/16" (5mm) Hex key
- Level
- Shims

---

## PARTS

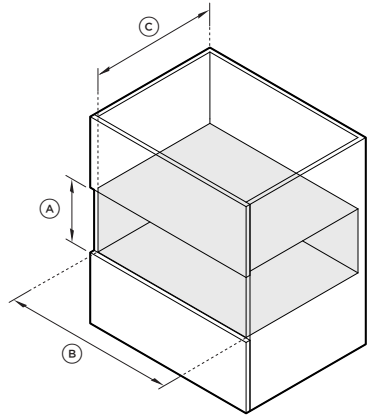
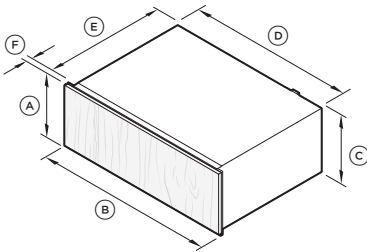
### Supplied

- |   |   |
|---|---|
| <input type="checkbox"/> Power cords (1)        | <input type="checkbox"/> Bracket covers (5) |
| <input type="checkbox"/> T20 wood screws (4)    | <input type="checkbox"/> Bracket spacer (1) |
| <input type="checkbox"/> T20 machine screws (6) | <input type="checkbox"/> Wire shelf (1)     |
| <input type="checkbox"/> Side brackets (2)      |   |

# ACCESSING YOUR PRODUCT SPECIFICATIONS



For full product, cabinetry and service specifications, refer to the Planning Guide. To access the Planning Guide, scan the QR code or visit [fisherpaykel.com/specify](http://fisherpaykel.com/specify). Search by appliance type, product name or model code.



PRODUCT DIMENSIONS	inch	mm
(A) Overall height	10 11/16	271
(B) Overall width	29 7/8	758
(C) Chassis height	10 11/16	271
(D) Chassis width	27 3/4	724
(E) Chassis depth*	21 9/16	551
(F) Front panel thickness	min 5/8	min 16
Front panel height	10 1/2	267
Front panel width	29 7/8	758

\*Including power plug

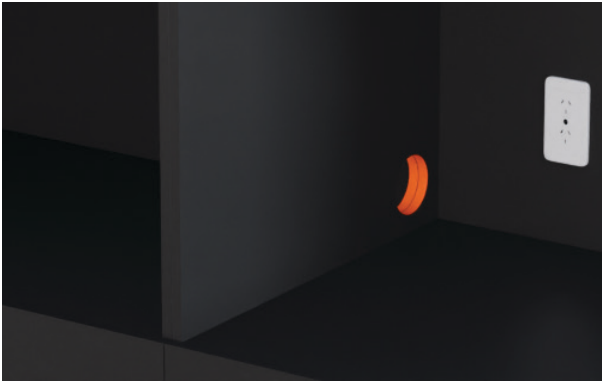
CAVITY DIMENSIONS	inch	mm
(A) Minimum inside height of cavity	10 3/4	273
(B) Minimum inside width of cavity	28 1/2	724
(C) Minimum inside depth of cavity	22 13/16	580
Recommended cabinet height	10 3/4	273
Recommended cabinet width	30	762

## PRIOR TO INSTALLATION



[fisherpaykel.com/specify](https://fisherpaykel.com/specify)

1. Refer to the Planning Guide for cabinetry, cavity, panel and service specifications.



2. Ensure the cabinet meets the minimum cavity specifications required.

The cabinet must be level and square to prevent the need for product adjustments such as shimming.

## UNPACK PRODUCT



1. Carefully remove the warming drawer and accessories box from the packaging.



2. Dispose of packaging responsibly.

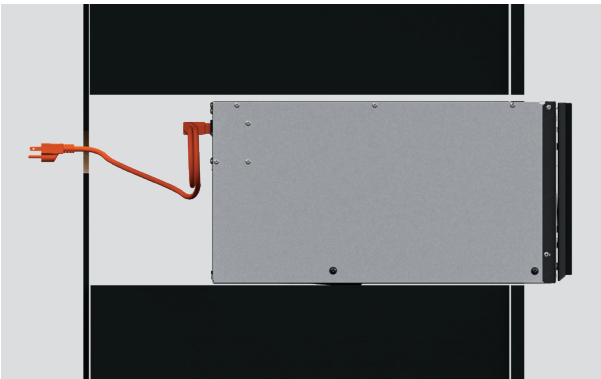
## POSITION IN CAVITY



1. Use the supplied spacer to position the cabinet brackets at the correct depth. Secure the brackets to the cabinet using four T20 wood screws.

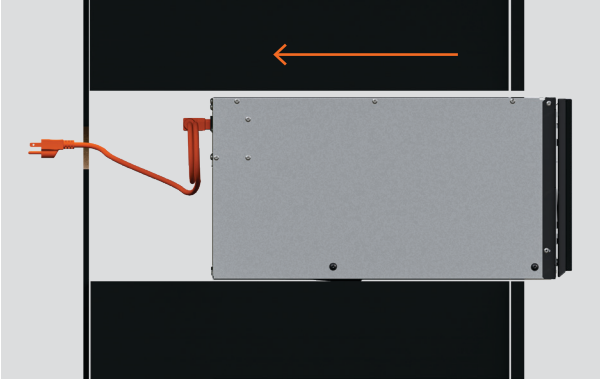


2. Connect the power cable to the product and the power supply.

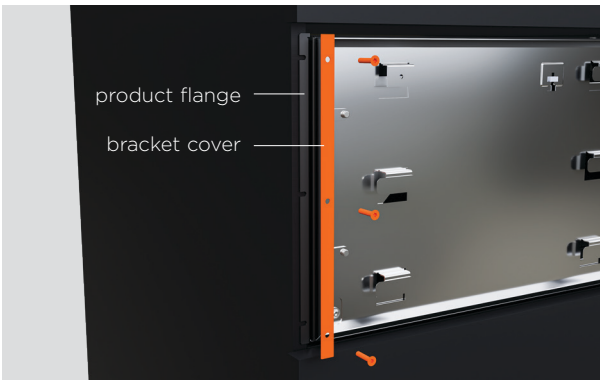


3. Apply protective tape to adjacent cabinetry panels before lifting product into place.

## POSITION IN CAVITY



**3.** Carefully push the warming drawer into the cabinetry.



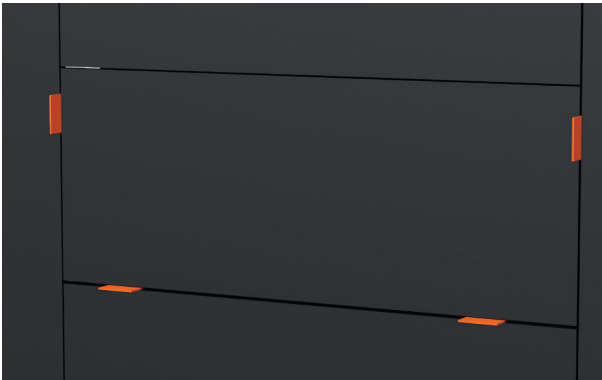
**4.** Secure the bracket covers and product flange to the cabinet brackets using four T20 machine screws.

## FIT DRAWER PANEL

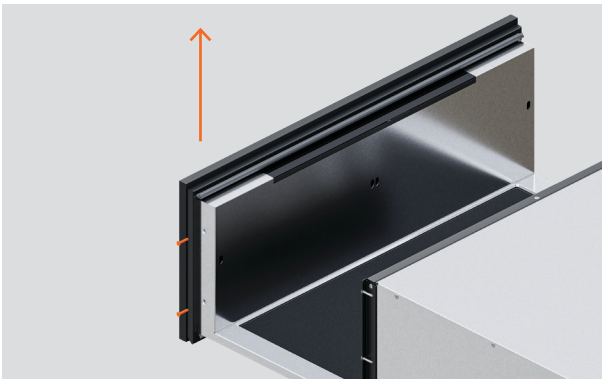


**1.** Remove the adhesive backing from the door brackets. Bend brackets further to extend if required.

Carefully align the custom panel to the product and press into place.

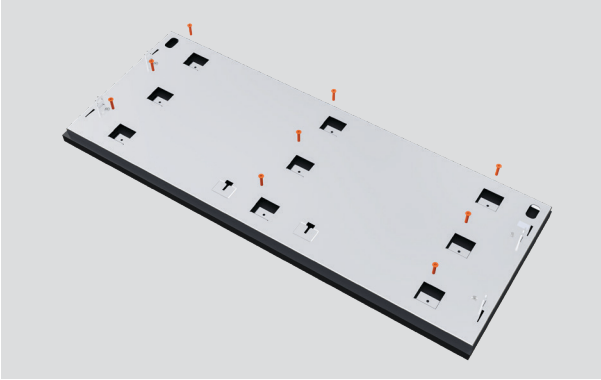


**2.** Using shims if required, adjust the custom panel to achieve even gaps. Press the panel onto the tape to hold it in position.



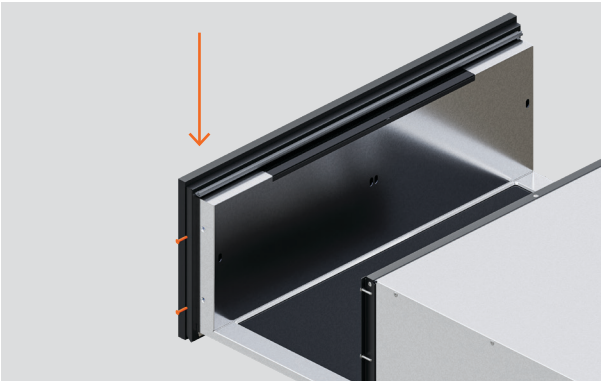
**3.** Fully open the drawer and remove the two T20 screws from both sides of the frame. Slide the door frame upward and lift it off the drawer.

## FIT DRAWER PANEL



4. Drill pilot holes through the door frame into the custom panel. Do not drill through the panel.

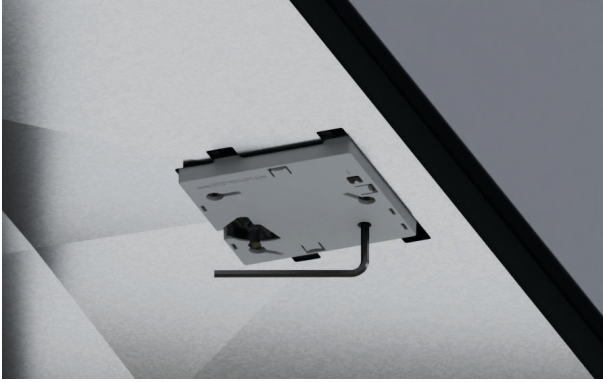
Secure the panel to the door using six T20 wood screws.



5. Fit the panel from the bottom first, pushing it in and then down.

Secure the panel to the door using two T20 wood screws on each side.

## ADJUST DRAWER

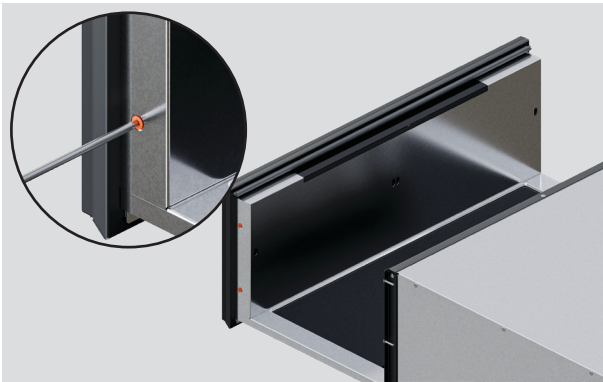


### 1. Adjust depth:

Open the drawer fully.

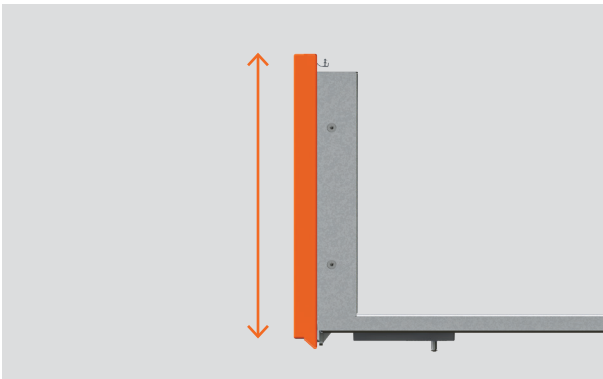
Use a hex key to adjust the front panel position by up to 3/16" (4 mm).

Turn clockwise to move the panel back, or counter-clockwise to move it forward.



### 1. Adjust height:

Open the drawer fully and slightly loosen the T20 star head screws.



### 2. Adjust height:

Adjust the drawer height by up to 1/16" (2 mm) and re-tighten the screws to secure.

# CHECKLIST

## Installation checks

- All clearances are correct.
- The product is level and securely fitted in the cabinetry.
- All internal packaging is removed.
- The isolating switch can be easily reached.

## Test operation

- Open the drawer.
- Press the power button to turn it on.
- Close the drawer.
- After 5-10 minutes, open the drawer to check it is warming.
- Press the power button to turn it off before closing the drawer.

## Complete and keep for safe reference:

Model \_\_\_\_\_

Serial no. \_\_\_\_\_

Purchase date \_\_\_\_\_

Purchaser \_\_\_\_\_

Dealer address \_\_\_\_\_

Installer's name \_\_\_\_\_

Installer's signature \_\_\_\_\_

Installation company \_\_\_\_\_

Installation date \_\_\_\_\_

