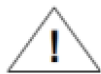


ASSEMBLY INSTRUCTION

ITEM NO: 8555BE/GY-AC

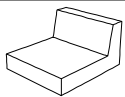

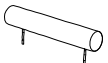

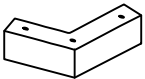
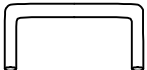
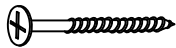

Armless Chair



Legs and hardware are stored in the box, please take out for assembly.

NOTE: Do not use power tools for assembly. Power tools increase the risk of over tightening which lead to splitting or cracking the wood.

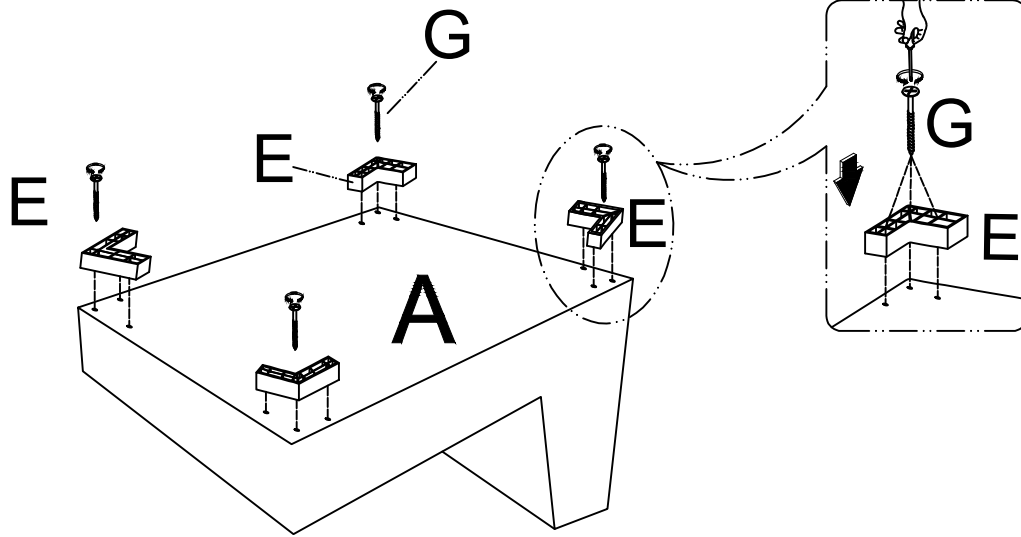
CHAIR COMPONENT LIST

NO	DRAWING	QTY	DESCIPTION
A		1	SEAT
B		1	SEAT CUSHION
C		1	HEADREST
D		1	BACK CUSHION
E		4	PLASTIC LEG
F		2	CONNECTOR
G		12	SCREW #4x45mm
X		1	RECTANGULAR PILLOW (Dim 25" X 14")

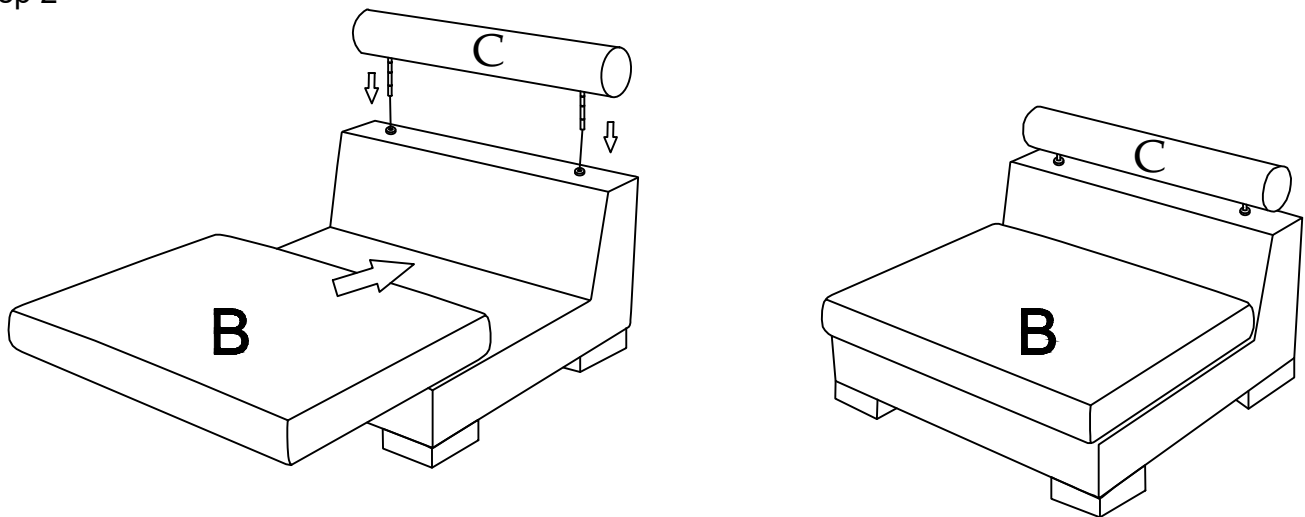
ASSEMBLY INSTRUCTION

ITEM NO: 8555BE/GY-AC

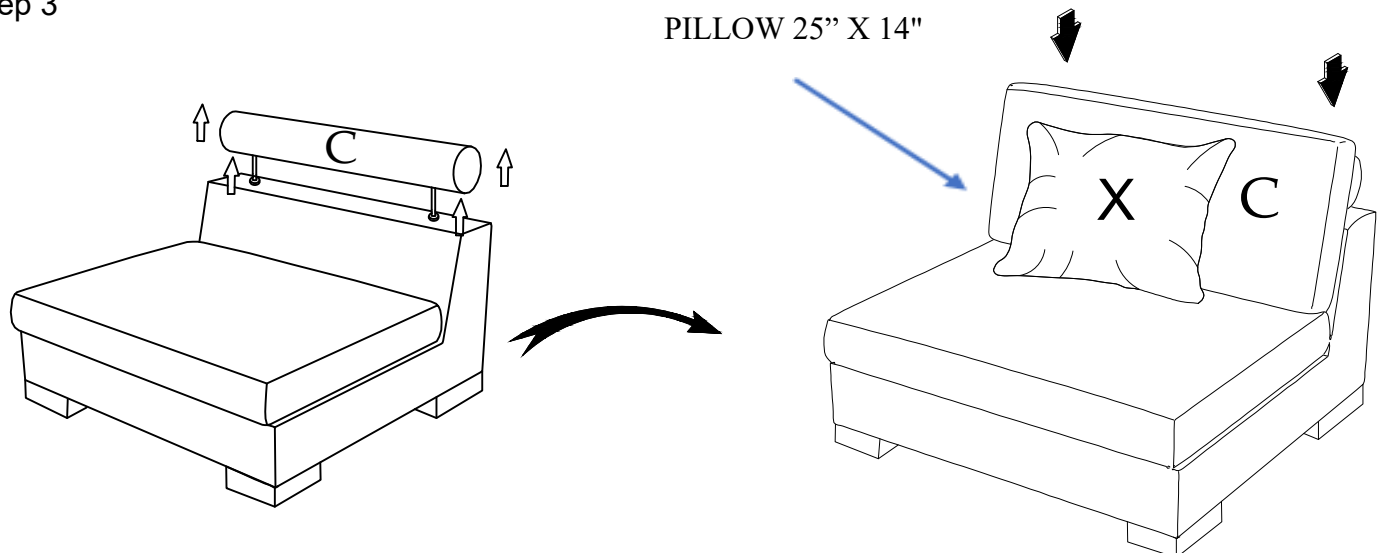
Step 1



Step 2

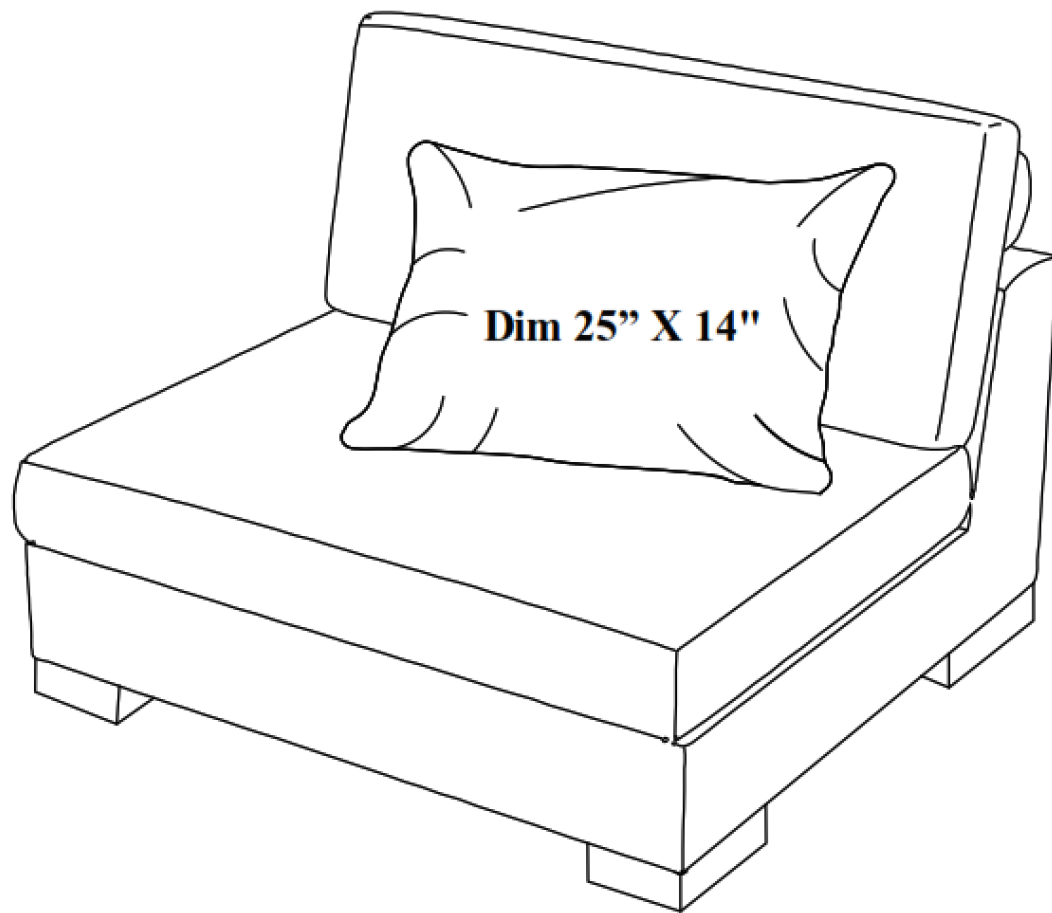


Step 3



ASSEMBLY INSTRUCTION

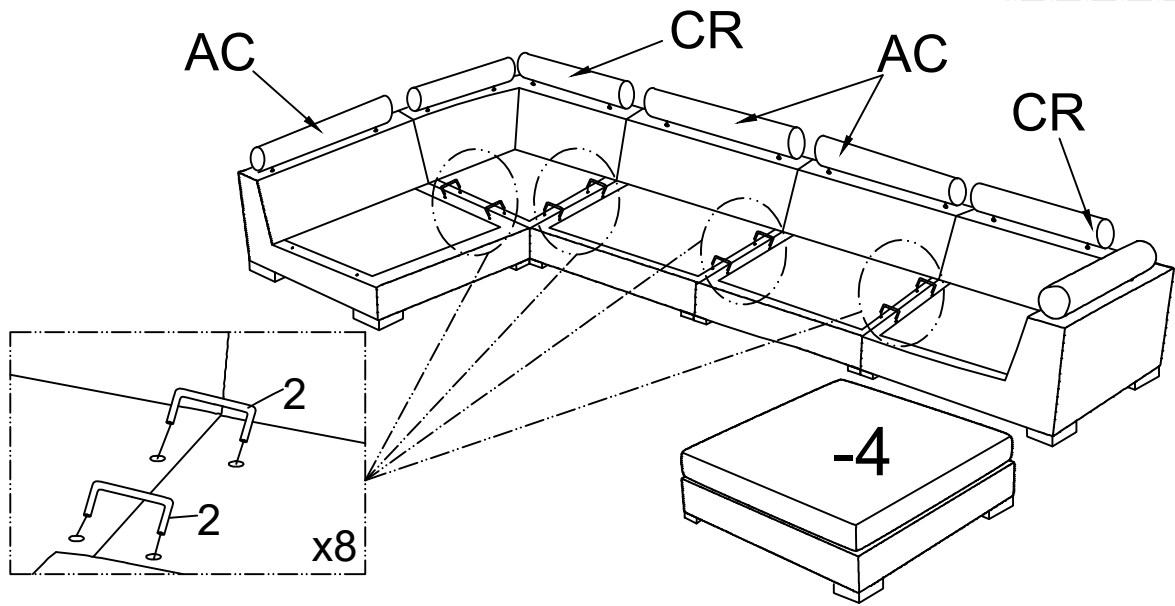
ITEM NO: 8555BE/GY-AC



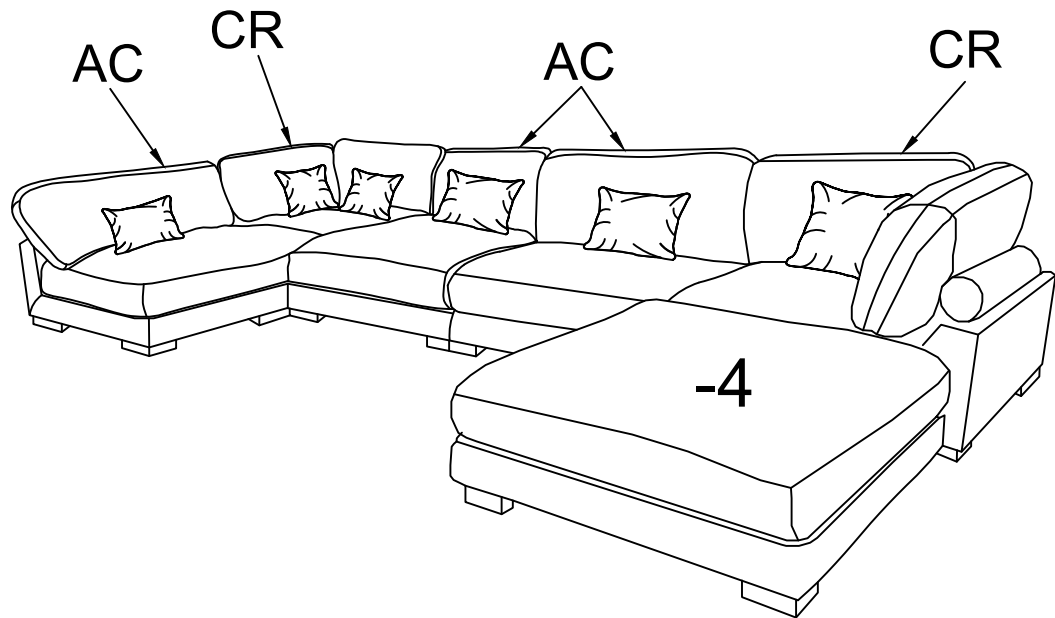
ASSEMBLY INSTRUCTION

ITEM NO : 8555BE/GY-AC

STEP 1



STEP 2



CARE INSTRUCTIONS FOR CORDUROY UPHOLSTERY FURNITURE :

In order to maintain the original appearance of your corduroy furniture, please follow below care procedures:

- Avoid exposing furniture directly to sunlight or heating and air conditioning outlets. Sunlight and / or exposure to heating and air conditioning outlets will fade/damage corduroy. Do not place your upholstered furniture too close to windows, radiators, or vents, and be sure to use window treatments to block the sun's rays.
- Vacuum or wipe with a soft cloth regularly to remove dust.
- Hardware may loosen over time. Periodically check to make sure all connection are tight, Re-tighten if necessary.



For items use on wooden floor, hard surfaces or carpets, it is recommended to Install protective pads under all legs and supports to avoid/prevent from damages/scratches and discoloration.