










Operating and Installation Instructions Washing Machine



To prevent accidents and machine damage, read these instructions **before** installation or use.

Contents

Caring for the environment	6
IMPORTANT SAFETY INSTRUCTIONS	7
Operating the washing machine	12
Control panel	12
Sensor controls and touch display with sensor controls	13
Main menu	13
Examples of how to operate the appliance	14
Operating a laundromat machine	16
Initial commissioning	17
Reference to external appliances	18
Setting the display brightness	18
Setting the date	18
Selecting program packages	19
1. Preparing the laundry	22
2. Loading the washing machine	23
3. Selecting a program	24
4. Selecting program settings	25
5. Adding detergent	26
Adding fabric softener or liquid starch separately	27
Adding starch separately	27
6. Starting a program – end of a program	30
Timer	31
Program chart	32
Extra options	47
Pre-wash 	47
Pre-rinse 	47
Rinse plus 	47
Soak 	47
Intensive 	47
Water plus 	47
SoftSteam 	47
Rinse hold 	47
Starch stop 	47

Special features in the program sequence	48
Spinning	48
Anti-crease	48
Changing the program sequence	49
Changing a program.....	49
Canceling a program	49
Adding or removing laundry	49
Cleaning and care	51
Cleaning the housing and control panel.....	51
Cleaning the detergent dispenser drawer	51
Cleaning the drum, suds container, and drainage system	53
Cleaning the water intake filters	53
Frequently asked questions	55
The wash program will not start.	55
Program cancellation and error message.....	56
A fault message appears in the display	57
Unsatisfactory wash results	58
General problems with the washing machine	59
The door will not open.....	61
Opening the door in the event of a blocked drain outlet and/or power outage ..	62
Technical Service	64
Contact in the event of a fault	64
Optional accessories.....	64
Installation and connection	66
Front view	66
Rear view.....	67
Installation locations.....	68
Installation notes	68
Transporting the washing machine to its installation site.....	69
Installation surface	70
Removing the shipping struts	70
Installing the shipping struts	72
Leveling the washing machine	73
Securing the washing machine against slippage	74
External control equipment	74
Payment system	74
Water connection	75
Cold water connection	75
Hot-water connection*	76

Contents

Water drainage	77
Drain pump.....	77
Electrical connection	78
Technical data	79
Supervisor level	80
Opening the Supervisor level	80
Code-based access	80
Changing the PIN code	80
Closing the settings menu.....	80
Operation/display	81
Language.....	81
Language menu.....	81
Set languages.....	81
Display brightness.....	81
Clock display	82
Date	82
Volume.....	82
Visibility parameters	82
Display off status.....	83
Machine off status.....	83
Delay start	83
Memory	83
Temperature unit.....	84
Weight unit	84
Logo	84
Supervisor code	84
Program selection	84
Controls.....	84
Program packages	85
Favorite programs	85
Special programs	86
Sort programs	86
Program color allocation	86
Hygiene	86
Expert code	86

Process technology	87
Anti-crease	87
Water level Min. iron	87
Water level Cottons	87
Pre-wash temp Cottons	87
Wash time.....	87
Pre-rinse Cottons	88
Pre-rinse Minimum iron	88
Pre-wash Cotton/M-iron.....	88
Cottons rinses	88
Minimum iron rinses	88
Disinfection rinse.....	88
Auto load control.....	88
Controlled energy cons.	89
Service.....	89
Clean drain pump (LP).....	89
Service interval.....	89
External applications	90
Empty sensor	90
Early warning counter.....	90
Peak load signal	90
Peak load prevention.....	90
Select KOM module	91
WiFi.....	91
Network time	91
Remote	92
RemoteUpdate	92
SmartGrid	93
Machine parameters.....	93
Suds cooling.....	93
Water intake	93
Low water pressure	94
Automatic dispensing.....	94
CapDosing.....	94
Legal Information.....	95
Payment system	95
Settings for payment systems.....	95
Feedback sig. to pay system.....	96
Clear paid signal.....	96
Payment system lock	96
FOC programs.....	96

Caring for the environment

Disposal of the packing material

The cardboard box and packing materials protect the appliance during shipping. They have been designed to be biodegradable and recyclable.

Ensure that any plastic wrappings, bags, etc. are disposed of safely and kept out of the reach of children. Danger of suffocation!

Disposal of your old appliance

Electrical and electronic appliances contain valuable materials. They also contain certain substances, compounds and components which were essential for the proper functioning and safe use of the equipment. Handling these materials improperly by disposing of them in your household waste can be harmful to your health and the environment. Therefore, please do not dispose of your old appliance with regular household waste and follow local regulations on proper disposal.



Consult with local authorities, dealers or Miele in order to dispose of and recycle electrical and electronic appliances. Miele assumes no responsibility for deleting any personal data left on the appliance being disposed. Please ensure that your old appliance is kept away from children until removal. Observe safety requirements for appliances that may tip over or pose an entrapment hazard.

IMPORTANT SAFETY INSTRUCTIONS

WARNING

To reduce the risk of fire, electric shock or injury to persons while using your appliance follow basic safety precautions, including the following:

- ▶ Read all instructions before using the appliance.

▶ GROUNDING INSTRUCTIONS

This appliance must be grounded. In the event of a malfunction or breakdown, grounding will reduce the risk of electric shock by providing a path of least resistance for electric current. This appliance is equipped with a cord having an equipment-grounding conductor and a grounding plug. The plug must be plugged into an appropriate outlet that is properly installed and grounded in accordance with all local codes and ordinances.

- ▶ **WARNING** - Improper connection of the equipment-grounding conductor may result in a risk of electric shock. Check with a qualified electrician if you are in doubt as to whether the appliance is properly grounded.

- ▶ Do not modify the plug provided with the appliance - if it will not fit the outlet, have a proper outlet installed by a qualified electrician.

- ▶ Do not install or use a washer with visible damage.

- ▶ Do not install or store this appliance where it will be exposed to the weather.

- ▶ Do not install your washing machine where temperatures below freezing may occur. Frozen hoses may burst under pressure. The reliability of the electronic control unit may be impaired at temperatures below freezing.

IMPORTANT SAFETY INSTRUCTIONS

- ▶ Before connecting the machine, ensure that the connection data on the data plate (fusing, voltage and frequency) match the mains electrical supply. If in doubt contact an electrician.
- ▶ Do not use an extension cord to connect this appliance to the power supply. Extension cords do not guarantee the required safety of the appliance (e.g. danger of overheating).
- ▶ This appliance is not designed for maritime use or for use in mobile installations such as recreational vehicles or aircraft. However, under certain conditions it may be possible for an installation in these applications. Please contact the Miele Technical Service Dept. with specific requirements.
- ▶ Do not repair or replace any part of the appliance or attempt any servicing unless specifically recommended in these operating instructions.
- ▶ If the power cord is damaged it must only be replaced by a Miele Service technician with a genuine Miele power cord.
- ▶ Under certain conditions, hydrogen gas may be produced in a hot water system that has not been used for 2 weeks or more. **HYDROGEN GAS IS EXPLOSIVE.** If the hot water system has not been used for such a period, turn on all hot water faucets and let the water flow from each for several minutes before using the washing machine. This will release any built-up hydrogen gas. Do not smoke or use an open flame during this time, the gas is flammable.
- ▶ Before the appliance is removed for service or discarded, remove the door.

IMPORTANT SAFETY INSTRUCTIONS

Use

- ▶ Do not allow children to play on or in the appliance. Close supervision is necessary when the appliance is used near children.
- ▶ The drum door glass will be hot when washing at very high temperatures. Do not touch the glass. Danger of burns! Keep children away from the washer when in use.
- ▶ Only use the washing machine to wash items which are specified by the manufacturer to be machine washable on the fabric care label. Any other applications may be dangerous.
- ▶ Do not wash articles that have been previously cleaned, washed, soaked or spotted with gasoline, dry-cleaning solvents or other flammable substances. These articles give off vapors that could ignite or explode. Do not add these items to the wash load.
- ▶ Do not add gasoline, dry-cleaning solvents, or other flammable or explosive substances to the wash water. These substances give off vapors which could ignite or explode.
- ▶ Do not use cleaning solvents on or near the machine or the controls. Contact with cleaning solvents will damage the surface..
- ▶ Do not reach into the appliance if the drum is moving.
- ▶ Do not tamper with the controls.

SAVE THESE INSTRUCTIONS

IMPORTANT SAFETY INSTRUCTIONS

- ▶ Miele Tumble Dryers and Miele Washing Machines can be installed as a washer-dryer stack. This requires a Miele Washer-Dryer Stacking Kit which can be purchased separately. Please ensure that the washer-dryer stacking kit is suitable for the Miele Tumble Dryer and the Miele Washing Machine.
- ▶ If installing the machine on a Miele Plinth (available as an optional accessory), please make sure you order the correct one for this washing machine.
- ▶ If detergent has come into contact with the eyes, rinse out immediately with plenty of lukewarm water. If detergent has accidentally been ingested, seek medical advice immediately. People with damaged or sensitive skin should avoid contact with detergent.
- ▶ When adding or removing laundry during the main wash, your skin may come into contact with detergent, particularly if the detergent is dispensed externally. Take care when placing your hands inside the drum. If suds have come into contact with the skin, rinse off immediately with lukewarm water.
- ▶ This washing machine is supplied with a special lamp to cope with particular conditions (e.g., temperature, moisture, chemical resistance, abrasion resistance, and vibration). This special lamp must only be used for the purpose for which it is intended. It is not suitable for room lighting. Replacement lamps should only be installed by a Miele authorized technician or by Miele Technical Service.
- ▶ The maximum dry laundry weight is 19.8 lb (9 kg). See the “Program chart” for the maximum recommended loads for individual programs.

IMPORTANT SAFETY INSTRUCTIONS

FCC Declaration of Conformity

▶ These devices comply with FCC Rules Part 15. This equipment has been tested and found to be in compliance with the limits for a Class B digital device, pursuant to Part 15 of the FCC Rules of Operation and is subject to the following conditions:

These devices may not cause harmful interference.

These devices must accept any interference received, including interference that may cause undesired operation.

FCC Radiation Exposure Statement

▶ This equipment complies with FCC radiation exposure limits set forth for an uncontrolled environment. This equipment should be installed and operated with minimum distance 8" (20 cm) between the radiator and your body.

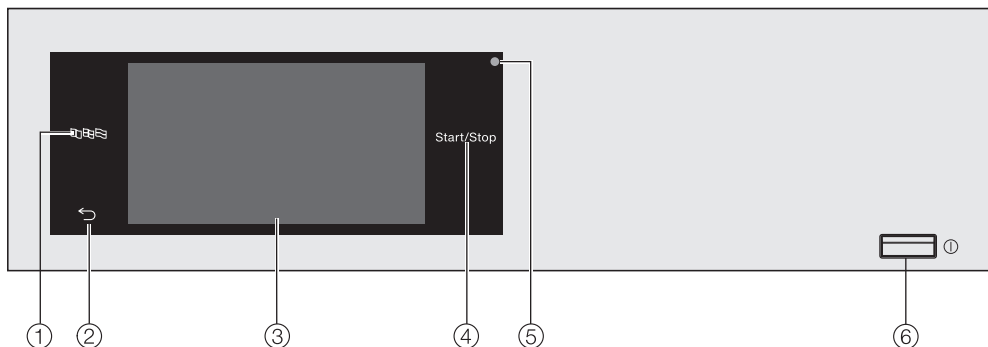
Industry Canada Statement

▶ This digital apparatus does not exceed the Class B limits for Radio Noise Emissions from digital apparatus set out in the Radio Interference Regulations of the Canadian Department of Communications.

Complies with Canadian ICES-003 Class B specifications.

Operating the washing machine

Control panel



① **Language sensor control**

For selecting the current user language.

The operating language is displayed again at the end of the program.

② **Back sensor control** ←

Takes you back one level in a menu.

③ **Touch display**

④ **Sensor control *Start/Stop***

For starting the program selected and canceling a program once it has started. The program selected can be started as soon as the sensor control starts flashing.

⑤ **Optical interface**



For Technical Service.

⑥ **⏻ button**

For switching the washing machine on and off. To save energy, the washing machine will switch off automatically. It is switched off 15 minutes after the end of the program/anti-crease phase, or after being switched on if no further selection is made.

Operating the washing machine

Sensor controls and touch display with sensor controls


The , , and *Start/Stop* sensor controls and the sensor controls in the display react to finger-tip contact. Every touch of a sensor control is confirmed with an audible keypad tone. You can adjust the volume of the keypad tone or switch it off (see “Supervisor level”).

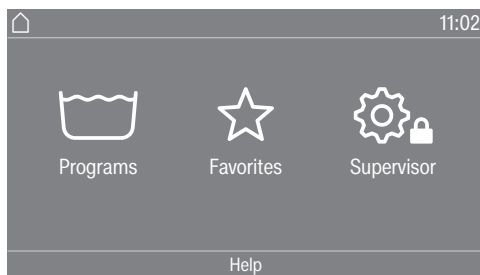
The control panel with sensor controls and the touch display can be scratched by pointed or sharp objects, e.g., pens. Only touch the display with your fingers.

Main menu

After switching on the washing machine, the main menu will appear in the display.

You can access all the important sub-menus from the main menu.

Touch the  sensor control at any time to return to the main menu. Values set previously are not saved.



Programs

For selecting the wash program.

Favorites

For selecting one of 12 favorite wash programs which can be set up and saved by the supervisor (see “Favorite programs” under “Supervisor level”).

Supervisor

You can alter the washing machine’s electronics to suit changing requirements in the Supervisor level (see “Supervisor level”).

Operating the washing machine

Examples of how to operate the appliance

Option lists

Program menu (single-option list)



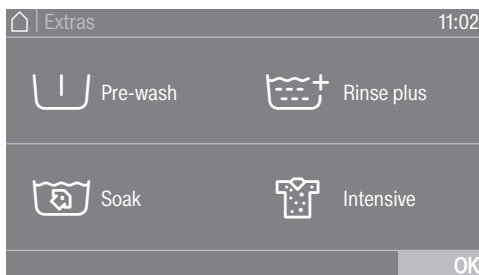
You can scroll to the right or the left by swiping your finger across the screen. To do this, place your finger on the touch display and swipe it in the direction you want.

The orange bar under the pictures shows that there are further options to choose from.

Touch a program name to select the wash program.

The display will change to the standard menu for that program.

Extras menu (multiple selection)



Touch one or several *extra options* to select it/them.

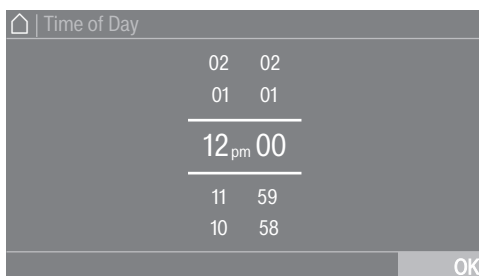
Currently selected *extra options* are highlighted in orange.

To deselect an *extra option*, simply touch the *extra option* again.

Use the *OK* sensor control to activate all selected *extra options*.

Setting numerical values

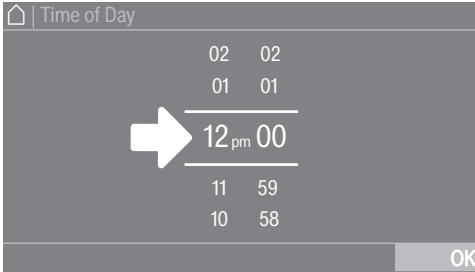
You can set numerical values in some menus.



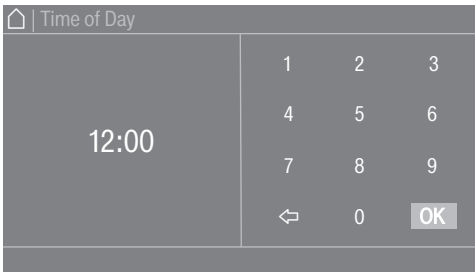
Enter the numbers by swiping upward or downward. Place your finger on the number that you want to change and move your finger in the direction you want. Use the *OK* sensor control to accept the set numerical value.

Tip: A numerical keypad may also appear to adjust the value for some settings.

Operating the washing machine



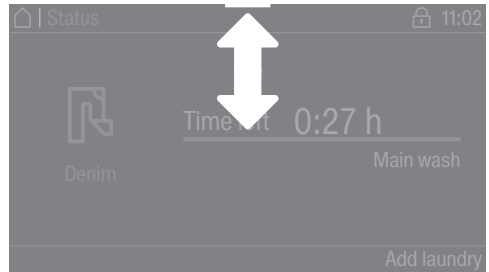
Briefly touching a number between the two lines will bring up the numerical keypad.



Once a valid number has been entered, the *OK* sensor control will be highlighted in green.


Pull-down menu

The pull-down menu can be used to display information, e.g., about a wash program.



If an orange bar appears at the top of the screen in the middle of the display, you can open the pull-down menu. Touch the bar and drag down with your finger.

Exiting a menu

- Tap the  sensor button to return to the previous screen.

Entries made before this which have not been confirmed with *OK* will not be saved.

Help display

With some menus, *Help* appears along the bottom line of the display.

- Touch the *Help* sensor control to display the text.
- Touch the *Close* sensor control to return to the previous screen.

Operating the washing machine

Operating a laundromat machine

The entry menu will vary depending on the programming status (see “Controls” under “Supervisor level”).

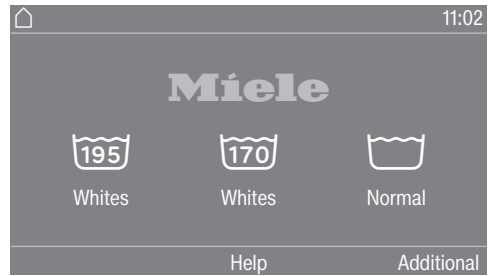
Shortcuts are the easiest way to operate the machine. Operating staff are unable to change pre-set programs.

Laundromat, basic (4 prog)




4 pre-set programs are available. These cannot be changed by the supervisor.

Laundromat, ext. (12 prog)

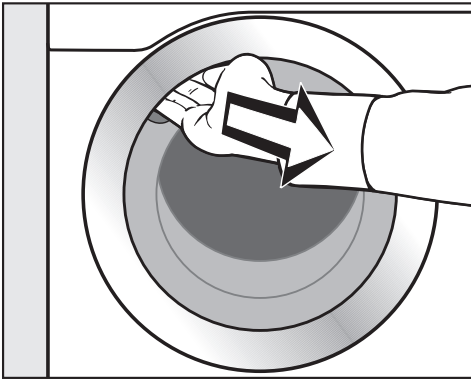


Up to 12 pre-set programs are available. The first 3 programs can be selected directly. The remaining programs are selected via another list. These cannot be changed by the supervisor.

 Damage resulting from incorrect installation and connection. Installing and connecting the washing machine incorrectly will cause serious property damage. See “Installation and connection”.

Emptying the drum

A swivel elbow for the drain hose and/or assembly material may be stored in the drum.



- Pull open the door.
- Remove the swivel elbow and assembly material.
- Shut the door gently.

Switching on the washing machine

- Press the  button.

The welcome screen will light up.

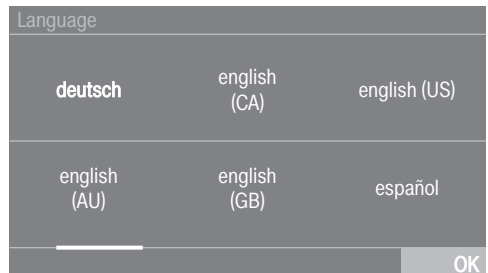
When commissioning the washing machine for the first time, you will have to define settings for daily use of the appliance. Some settings can only be configured during the initial commissioning process. After that, they should be changed by Miele Technical Service.

Complete the initial commissioning process.

These settings are also described under “Supervisor level”.

Setting the display language

You will be asked to select the display language. You can change the language at any time (see “Language” under “Supervisor level”).



- Scroll to the left or the right until the language you want appears.
- Touch the sensor control for the language you want.

The selected language will be highlighted in orange and the display will change to the next setting.

Initial commissioning

Reference to external appliances

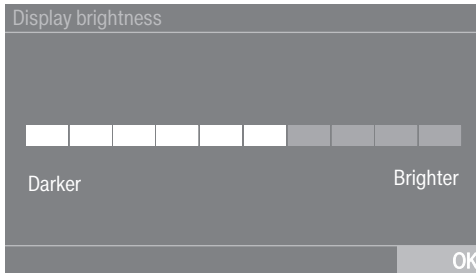
A reference to external hardware appears.

- Confirm with the OK sensor control.

Before initial commissioning, connect the XCI box or slide a communication module into the slot on the back of the washing machine. The washing machine must be disconnected from the power supply. Then start the commissioning process.

Setting the display brightness

You will be asked to select the brightness of the display.



- Touch the segment bars until you reach the required level of brightness.

The selected brightness level will be highlighted in orange.

- Confirm with OK.

The display will change to the next setting.

Setting the date

Date		
September	25	2021
August	24	2020
July	23	2019
June	22	2018
May	21	2017

- Place your finger on the value that you want to change and move your finger in the direction you want.
- Once all values have been selected, confirm with the OK sensor control.

The display will change to the next setting.

Confirming the time request

The following question appears in the display:

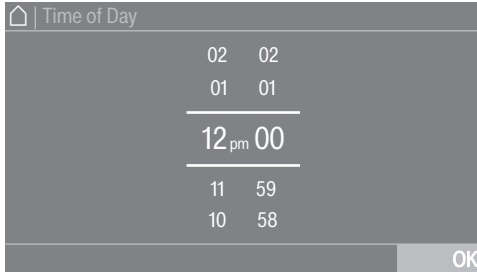
Remove the clock display?

- Touch the Yes or No sensor control.

If you select Yes, the system will skip the Clock display setting.

If you select No, the display will switch to the Clock display setting.

Setting the time



- Place your finger on the number that you want to change and move your finger in the direction you want.

- Confirm with the *OK* sensor control.

The display will change to the next setting.

Selecting program packages

You can select various programs from the program packages. Any programs already active are highlighted in orange.



- Scroll right until you reach a program that is not highlighted in orange.

- Touch the sensor control for the required program.

The selected program is highlighted in orange.

- You can select further programs.

Tip: You can disable a selected program by touching the program's sensor control again.

Exception: The Cottons  and Cottons Pro programs cannot be disabled.

- If you do not want to select any more programs, confirm with the sensor control *OK*.

The display will change to the next setting.

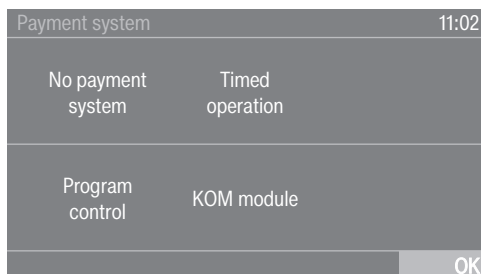
Initial commissioning

Setting up a payment system

If you wish to set up a payment system, read the “Payment system” section of the “Supervisor level” chapter.

These settings can only be changed during the initial commissioning process. If you wish to change the settings after the commissioning process, please contact Miele Technical Service.

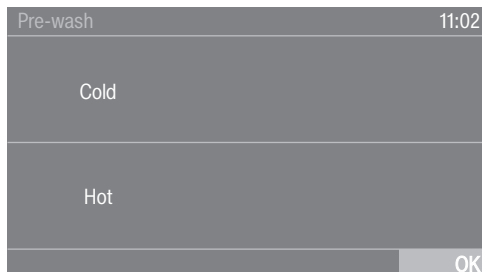
If you do not wish to set up a payment system, you can skip this stage.



- Touch the **No payment system sensor control**.

The display will change to the next setting.

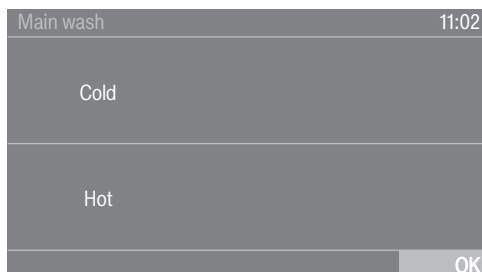
Selecting pre-wash water



- Touch the **cold sensor control** if the washing machine is only connected to a cold water supply, or touch **hot** if the washing machine is connected to cold and hot water.

The display will change to the next setting.

Selecting main wash water




- Touch the **cold sensor control** if the washing machine is only connected to a cold water supply, or touch **hot** if the washing machine is connected to cold and hot water.

Further information will appear on the display.

Removing the shipping struts

The display will remind you to remove the shipping struts.

 Risk of damage due to failure to remove the shipping struts. Failure to remove the shipping struts can result in damage to the washing machine and to adjacent cabinetry or appliances. Remove the shipping struts as described in “Installation and connection”.


- Confirm that the shipping struts have been removed with the **OK** sensor control.

Continue setting up as described in the Operating instructions **appears in the display.**

- Confirm the message with the **OK** sensor control.

Completing the commissioning process

To complete the commissioning process, the *Normal* program must be run without laundry and without detergent.

If the power is interrupted prior to the start of the first wash program (e.g., if the machine is switched off with the  sensor control), the initial commissioning process can be completed again.

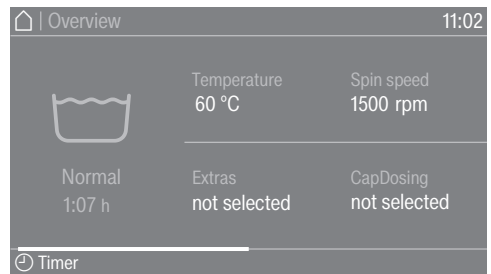
Once a wash program has been running for over 20 minutes, the initial commissioning process does not have to be performed again.

- Turn on the faucets.

- Touch the **Programs** sensor control.



- Touch the **Cottons Plus** sensor control.



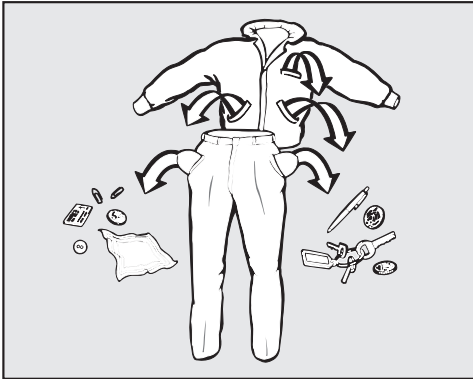
- Touch the **Start/Stop** sensor control.

When the program has finished, your machine is ready for use.

If you have activated disinfection programs, you must complete the *Thermal disinfection* program as the first program; make sure you use a suitable detergent but do not load the machine.

1. Preparing the laundry

Emptying pockets



- Empty all pockets.

⚠ Damage due to foreign objects. Nails, coins, paper clips, and so on can cause damage to garments and components in the machine. Check the laundry before washing and remove any such foreign objects.

Sorting the laundry

- Sort the laundry according to color and the garment care label.

Pre-treating stains

- Badly soiled areas and stains should be cleaned as soon as possible. Stains should be carefully dabbed off using a soft, colorfast cloth.

⚠ Damage due to solvent-based cleaning agents.

Cleaning agents containing benzene, stain remover, etc., can damage plastic parts.

When pre-treating a stain, make sure that plastic parts do not come into contact with cleaning agents.

⚠ Risk of explosion due to solvent-based cleaning agents.

When using solvent-based cleaning agents, an explosive mixture may develop.

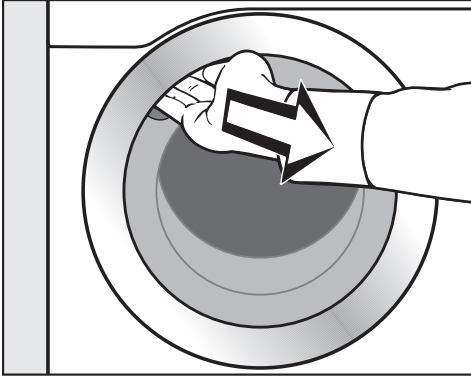
Never use solvent-based cleaning agents in the washing machine.

General tips

- Do not machine wash items which are specified by the manufacturer as **not washable** on the care label (☒).
- Curtains: Remove rollers and lead weights or place in a laundry bag.
- Sew in or remove any loose underwiring in bras.
- Turn garments inside out, if recommended by the manufacturer.
- Zip up or close any jackets with Velcro or hook and eye fastenings before washing.
- Fasten duvet covers and pillow cases to prevent small items from becoming rolled up inside them.
- Please refer to the “Program chart” for more tips and tricks.

2. Loading the washing machine

Opening the door



- Reach under the door grip and pull the door open.

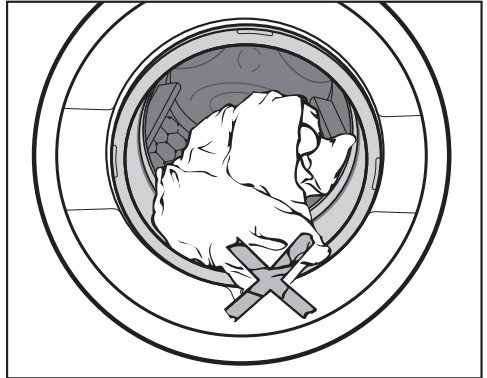
Check the drum for foreign objects before loading it with laundry.

- Unfold the laundry and load loosely into the drum.

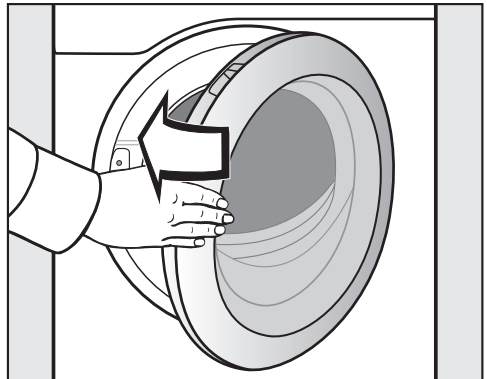
Mixing both large and small items gives better wash results and also helps distribute the load evenly during spinning.

The most efficient use of energy and water is achieved when a full load is washed. However, do not overload as this reduces cleaning efficiency and causes creasing.

Closing the door



- Make sure that no items are caught between the door and the seal.



- Shut the door gently.

3. Selecting a program

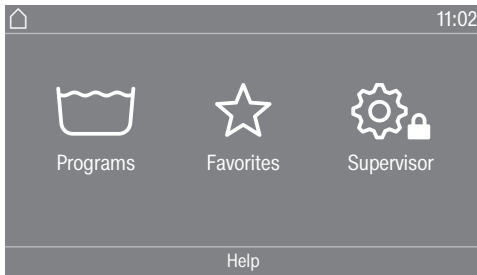
Switching on the washing machine

- Press the ⓘ button.

The drum lighting will come on.

The drum lighting will go out automatically after 5 minutes or when the program starts.

Selecting a program



There are different ways to select a program.

You can select a program from the Programs menu.

- Touch the Programs sensor control.



- Scroll to the right in the display until the program you want appears.
- Touch the sensor control for that program.

The display will change to the standard menu for that wash program.

Alternatively, you can select a program from the Favorites menu.

The programs under Favorites can be changed by the supervisor (see “Favorite programs” under “Supervisor level”).

- Touch the Favorites sensor control.



- Scroll to the right in the display until the program you want appears.
- Touch the sensor control for that program.

The display will change to the standard menu for that wash program.

In the case of Favorite programs, the majority of the program settings are already fixed and cannot be changed.

4. Selecting program settings

Selecting a load

To enable load-specific dispensing, you can specify the load for some programs.

- Touch the **Weight sensor control**.
- Enter a valid value for the load quantity.

The display will switch to the **Overview menu**.

Selecting a temperature

You can alter the preset temperature of a wash program.

- Touch the **Temperature sensor control**.
- Select the desired temperature.

The display will switch to the **Overview menu**.

Selecting a spin speed

You can alter the preset spin speed of a wash program.

- Touch the **Spin speed sensor control**.
- Select the spin speed you want.

The display will switch to the **Overview menu**.

Selecting extra options

You can select extra options for some wash programs.

- Touch the **Extras sensor control**.
- Select one or more extra options.
- Confirm with the **OK sensor control**.

The display will switch to the **Overview menu**.

See “Extras” for further information.

Activating CapDosing

You can use CapDosing for some wash programs.

- Touch the **CapDosing sensor control**.

The types of caps which can be used with the program will appear in the display.

- Select the type of cap you want.

CapDosing is now active.

The display will switch to the **Overview menu**.

See “CapDosing” under “5. Adding detergent” for more information.

5. Adding detergent

There are several options for adding detergent to the washing machine.

Detergent dispenser drawer

You can use any detergent that is suitable for washing machines.

Detergent dispensing

Please follow the detergent manufacturer's instructions in relation to dosage.

Adding too much detergent will lead to excessive foaming.
Avoid adding excess detergent.

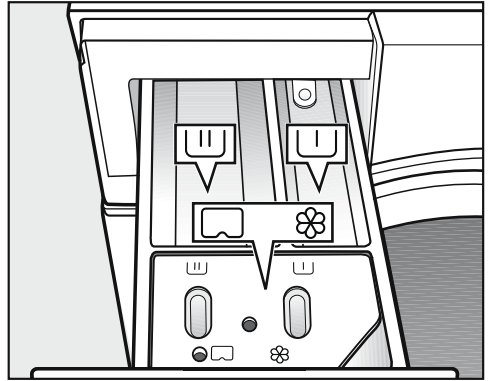
The amount to dispense will depend on:

- the amount of laundry
- how dirty the laundry is
- the water hardness

Hardness range	Hardness in mmol/l	Degree of German hardness °dH
Soft (I)	0–1.5	0–8.4
Medium (II)	1.5–2.5	8.4–14
Hard (III)	Above 2.5	Above 14

Check with your local water supplier if you do not know the water hardness in your area.

Filling with detergent



- Pull out the detergent dispenser drawer and add detergent to the compartments.

U Detergent for the pre-wash (divide the total recommended amount as follows: $\frac{1}{3}$ to compartment U and $\frac{2}{3}$ to compartment U)

U Detergent for the main wash

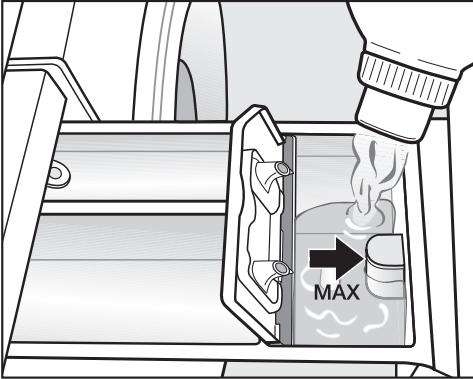
⊗/ Fabric softener, liquid starch, or caps

For disinfection programs, the U and U compartments can be filled with detergent for the main wash if you have not selected Pre-wash.

5. Adding detergent

Adding fabric softener or liquid starch separately

- Select the *Separate Rinse* program.
- Change the spin speed if necessary.



- Add the fabric softener or the liquid starch to the ☼ compartment. **Do not exceed the maximum level mark.**
- Touch the *Start/Stop* sensor control.

This will be automatically dispensed in the final rinse. At the end of the program, a small amount of water remains in the ☼ compartment.

Adding starch separately

- Prepare the starch solution in accordance with the manufacturer's instructions on the packaging.
- Select the *Starch* program.
- Add the prepared starch to the ☼ compartment.
- Touch the *Start/Stop* sensor control.

Tip: If starching separately or automatically, thoroughly clean the detergent dispenser drawer, especially the siphon, regularly.

Dye removers and dyes

⚠ Damage due to color run/dye removers.

Color run and dye removers can cause corrosion in the washing machine.

Do not use color run or dye removers in the washing machine.

Only use dyes suitable for use in a washing machine. The manufacturer's instructions on the packaging must be observed.

5. Adding detergent

CapDosing

3 different types of cap are available:

- ☼ = Fabric care (e.g., fabric softener, proofing agent)
- 🗑️ = Additives (e.g., detergent enhancers)
- 💧 = Detergent (for the main wash only)

Only one cap can be selected per wash program.

Depending on the setting selected, the detergent, additive, or fabric care agent will be dispensed via the cap for this wash program.

Each cap contains the correct amount for one wash cycle.

Caps are available to order from Miele's online store, Miele Technical Service, or from your Miele dealer.

⚠️ Caps pose a health risk. The ingredients of caps can be hazardous to health if they are swallowed or come into contact with skin. Keep caps out of the reach of children.

Activating CapDosing

- Touch the CapDosing sensor control.

The types of caps which can be used with the program will appear in the display.

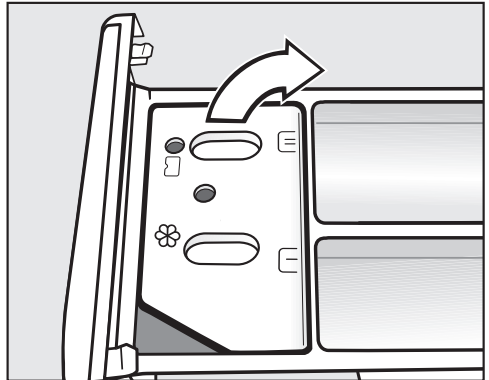
- Select the type of cap you want.

CapDosing is now active.

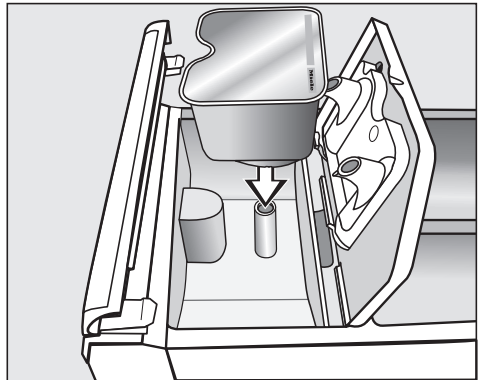
The display switches to the default display and shows the selected cap.

Inserting a cap

- Open the detergent dispenser drawer.

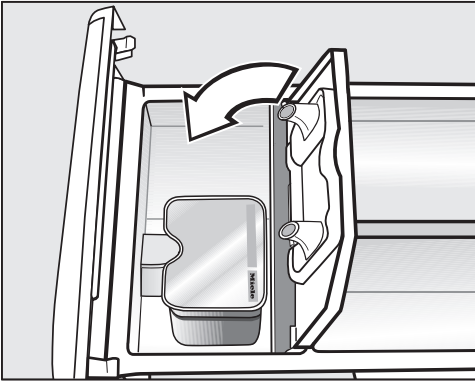


- Open the lid of the ☼/🗑️ compartment.



- Press the cap in firmly.

5. Adding detergent



- Close the lid and press it firmly shut.
- Close the detergent dispenser drawer.

The cap is opened by the act of inserting it in the detergent dispenser drawer. The contents can run out of the cap if you then remove it from the drawer before it is used.
Dispose of opened caps.

The wash program will dispense the contents of the cap at the correct time.

When using CapDosing, water intake to the ⌘ compartment takes place solely via the cap.

When using caps, do not add extra fabric softener to the ⌘ compartment.

- Remove the empty cap at the end of the program.

For technical reasons, a small amount of water will remain in the cap.

Deactivating or changing CapDosing

CapDosing can only be deactivated or changed prior to the program start.

- Touch the CapDosing sensor control and disable the selected cap option.

External dispensing

The washing machine is pre-equipped for connecting to external detergent dispensing systems. A separate conversion kit for external dispensing systems is required. This must be installed by Miele Technical Service or by a Miele Service dealer.

6. Starting a program – end of a program

Payment system

If your machine is connected to a payment system, the amount of payment required will appear in the display.

Do not cancel the program once it has started. Depending on the settings, money may be lost in the payment system.

Starting a program

The program can be started as soon as the *Start/Stop* sensor control is flashing on and off.

- Touch the *Start/Stop* sensor control.

The door will lock (🔒 symbol) and the program will start.

If a delay-start period has been selected, this will appear in the display.

The program duration will appear in the display either straight away or once the delay-start period has elapsed. The program sequence is also shown in the display.

Tip: You can use the pull-down menu to display the selected temperature, spin speed, and any selected extra options.

End of program

The door remains locked during the anti-crease phase. However, the washing machine door can be unlocked at any time by touching the *Start/Stop* sensor.

Removing the laundry

- Pull open the door.
- Remove the laundry.

Items left in the drum could discolor other items in the next wash or become discolored themselves. Remove all items from the drum.

- Check the folds in the door seal for any foreign objects.


Tip: Leave the door slightly open to allow the drum to dry.

- Switch the washing machine off with the ⏻ button.
- If applicable, remove the used cap from the detergent dispenser drawer.

Tip: Leave the detergent dispenser drawer slightly open to allow it to dry.

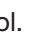
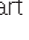

Before the program starts, the timer can be used to select a program start time or program end time.

Setting the timer

- Touch the  Timer sensor control.
- Select the Finish at, Start in, or Start at option.
- Set the hours and the minutes and confirm your entry with the OK sensor control.


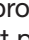
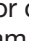
Changing the timer

The selected delay-start period can be changed before the program starts.

- Touch the , , or  sensor control.
- If required, change the specified time and confirm with the OK sensor control.

Deleting the timer

The selected delay-start period can be canceled before the program starts.

- Touch the , , or  sensor control.

The selected delay-start period will appear in the display.

- Touch the Delete sensor control.
- Confirm with the OK sensor control.

The selected delay-start period is deleted.

Starting the timer

- Touch the Start/Stop sensor control.

The door will lock and the time until the program starts will appear in the display.

After the program start, the selected delay-start period can only be changed or canceled by interrupting the program.

The program can be started immediately at any time.

- Touch the Start immediately sensor control.

Program chart

Program packages

You can select various programs from the program packages. The programs will appear in the program list.

Label

Normal		Cold to 140°F (60°C)		Max. load 17.6 lb (8 kg)	
Items	Cotton, linen, and mixed fiber textiles made of both cotton and linen				
1,500 rpm	Extra options: Pre-wash, Rinse hold		Rinses: 2		
USA test program in accordance with: DOE Federal Register 10 CFR Part 430 Appendix J2 to subpart B					
Canada test program in accordance with: CAN/CSA-C360-13					

Standard programs

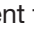
Whites		167°F to 194°F (75°C to 90°C)		Max. load 17.6 lb (8 kg)	
Items	Textiles made from cotton and linen, e.g., bed linen, baby clothes, underwear				
Tip	An additional Pre-rinse can be programmed in.*				
1,500 rpm	Extra options: Pre-wash, Intensive, Water plus, Rinse hold, Starch stop		Rinses: 2–5*		
Minimum iron		Cold to 140°F (60°C)		Max. load 8.8 lb (4 kg)	
Items	Synthetic and mixed fiber textiles and easy care cotton				
Tip	<ul style="list-style-type: none"> - Reduce the spin speed for fabric which creases easily. - An additional Pre-rinse can be programmed in.* 				
1,200 rpm	Extra options: Pre-wash, Intensive, Water plus, SoftSteam, Rinse hold		Rinses: 2–4*		
Delicates		Cold to 140°F (60°C)		Max. load 6.6 lb (3 kg)	
Items	Delicate garments made from synthetic fiber, mixed fiber, and viscose				
Tip	- Deselect the spin speed for fabric that creases easily.				
600 rpm	Extra options: Pre-wash, SoftSteam, Rinse hold		Rinses: 2		

* Settings can be altered in the Supervisor level.


Program chart

Express			86°F (30°C)	Max. load 8.8 lb (4 kg)
Items	Cotton garments that have hardly been worn or are only very lightly soiled			
1,400 rpm		Rinses: 2		
Woolens			Cold to 104°F (40°C)	Max. load 6.6 lb (3 kg)
Items	Machine-washable woolens and woolen blends			
Tip	Use detergent formulated for woolens.			
1,200 rpm	Extra options: Rinse hold		Rinses: 2	
Toweling			104°F to 140°F (40°C to 60°C)	Max. load 17.6 lb (8 kg)
Items	Towels and bathrobes made from terrycloth			
Tip	Use a color detergent for dark textiles.			
1,400 rpm	Extra options: Pre-wash, Rinse hold		Rinses: 2	
Dress Shirts			Cold to 140°F (60°C)	Max. load 6.6 lb (3 kg)
Items	Shirts and blouses			
Tip	<ul style="list-style-type: none"> - Pre-treat collars and cuffs depending on the level of soiling. - Wash silk shirts and blouses in the Silks program. - Reduce the maximum load quantity by half if you have selected the <i>SoftSteam</i> extra option. 			
800 rpm	Extra options: Soak, Rinse plus, Soft-Steam, Rinse hold, Starch stop		Rinses: 2	
Dark Garments			86°F to 140°F (30°C to 60°C)	Max. load 8.8 lb (4 kg)
Items	Black and dark items made of cotton or mixed fibers			
Tip	Wash inside out.			
1,000 rpm	Extra options: Soak, Rinse plus, Soft-Steam, Rinse hold		Rinses: 3	
Denim			86°F to 140°F (30°C to 60°C)	Max. load 8.8 lb (4 kg)
Items	Denim shirts, blouses, trousers, and jackets			
Tip	<ul style="list-style-type: none"> - Wash denim inside-out. - Denim often contains excess dye and may run during the first few washes. Wash light and dark colored items separately. 			
1,000 rpm	Extra options: Rinse hold		Rinses: 3	


Program chart

Silks		Cold to 86°F (30°C)	Max. load 6.6 lb (3 kg)
Items	Silks and all hand-washable textiles which do not contain wool		
Tip	<ul style="list-style-type: none"> - Observe the instructions on the wash care label. - Place tights, bras, etc., in a laundry bag. 		
600 rpm	Extra options: Rinse plus, Rinse hold	Rinses: 2	
Separate Rinse		Max. load 17.6 lb (8 kg)	
Items	Items which only need to be rinsed and spun		
Tip	- Observe the spin speed for items which crease easily.		
1,400 rpm	Extra options: Rinse plus, Rinse hold	Rinses: 2	
Starch		Cold to 104°F (40°C)	Max. load 8.8 lb (4 kg)
Items	Table cloths, serviettes, and workwear that need starching		
Tip	<ul style="list-style-type: none"> - Laundry that is to be starched should be washed but not treated with fabric softener. - Observe the spin speed for items which crease easily. 		
1,200 rpm		Rinses: 1	
Clean Machine		158°F (70°C)	No load
	For cleaning the suds container and the drainage system. <ul style="list-style-type: none"> - Add universal detergent to the  compartment. - Use the <i>Clean Machine</i> program regularly if you frequently use disinfection programs. 		
Drain/Spin		Max. load 17.6 lb (8 kg)	
Tip	<ul style="list-style-type: none"> - Make sure you select the appropriate spin speed. - Drain only: Select 0 rpm for the spin speed. - Select the Rinse plus extra option for one rinse. 		
1,500 rpm	Extra options: Rinse plus		

Program chart

Maintenance wash hygiene		No load
	<ul style="list-style-type: none"> - If a program at a temperature below 140°F (60°C) has been used, a request to start the Maintenance Wash Hygiene program appears in the display. The Hygiene setting must be switched on for this purpose (see “Supervisor level”). - Add universal detergent to the  compartment. 	

Sport

Sportswear		86°F to 140°F (30°C to 60°C)	Max. load 7.7 lb (3.5 kg)
Items	Sports and leisure wear, such as shirts and trousers made from synthetic fibers or mixed blends		
Tip	<ul style="list-style-type: none"> - If you wish to proof the items at the same time, add the proofing agent to the  compartment in the detergent dispenser drawer. - Do not use fabric softener. - Observe the manufacturer’s care label. 		
1,000 rpm	Extra options: Pre-wash, Soak, Rinse hold	Rinses: 2	
SportMicrofiber		86°F to 140°F (30°C to 60°C)	Max. load 7.7 lb (3.5 kg)
Items	Sportswear such as jerseys and leggings, as well as microfiber and fleece garments		
Tip	<ul style="list-style-type: none"> - Do not use fabric softener. - Observe the manufacturer’s care label. 		
800 rpm	Extra options: Rinse plus, Rinse hold	Rinses: 2	
Sneakers		86°F to 140°F (30°C to 60°C)	Max. 2 pairs
Items	Sneakers (no leather shoes), shin pads, elbow protectors, and similar items		
Tip	<ul style="list-style-type: none"> - Do not use fabric softener. - Coarse soiling should be brushed off first. - Observe the manufacturer’s care label. - Use the dryer basket for tumble drying. - Close Velcro fasteners. 		
400 rpm	Extra options: Pre-wash, Pre-rinse	Rinses: 3	

Program chart

Hard items		Cold to 104°F (40°C)	Max. load 7.7 lb (3.5 kg)
Items	Washable plastic items, e.g., toy building blocks or casino chips, or even chain link safety gloves, etc.		
Tip	<ul style="list-style-type: none"> - Use the <i>Soak</i> extra option to loosen dirt. - Use detergent for delicates. 		
-	Extra options: Pre-rinse, Pre-wash, Rinse plus	Rinses: 2	

Outdoor

Downs		86°F to 140°F (30°C to 60°C)	Maximum of 1 article
Items	Outdoor jackets, sleeping bags, and other down-filled items		
Tip	<ul style="list-style-type: none"> - Observe the manufacturer's care label. - Do not use fabric softener. - Remove any air before washing. To do this, either push the items into a narrow laundry bag to compress them or tie the items together with a washable strap. - The items are spun after wetting to remove any air. 		
1,000 rpm	Extra options: Pre-rinse, Rinse plus, Rinse hold	Rinses: 2	

Outdoor		Cold to 104°F (40°C)	Max. load 7.7 lb (3.5 kg)
Items	Performance outerwear (e.g., outdoor jackets and trousers) made from membrane fabrics such as Gore-Tex [®] , SYMPATEX [®] , WIND-STOPPER [®] , etc.		
Tip	<ul style="list-style-type: none"> - Zip up or close any Velcro fasteners before washing. - Do not use fabric softener. - Use the <i>Proofing</i> program to treat outdoor textiles at regular intervals. Reproofing after each wash cycle is not recommended. - Wash down-filled items with the <i>Downs</i> program. 		
1,000 rpm	Extra options: Pre-wash, Soak, Rinse plus, Rinse hold	Rinses: 2	

Program chart

Proofing		86°F to 104°F (30°C to 40°C)	Max. load 7.7 lb (3.5 kg)
Items	Treating microfiber fabric, skiwear, and table linens/drapes made from mainly synthetic fibers		
Tip	<ul style="list-style-type: none"> - Add proofing agent to the ☼ compartment. - The items should be freshly laundered and spun or dried before proofing. - For best results, apply a thermal treatment to the articles by drying in a tumble dryer or ironing. 		
1,000 rpm	Extra options: Rinse hold	Rinses: 1	

Wellness/Hair salons

Towels		Cold to 104°F (40°C)	Max. load 13.2 lb (6 kg)
Items	Lightly soiled cotton toweling		
Tip	Use a color detergent for dark textiles.		
1,400 rpm			Rinses: 2
Towels plus		104°F to 176°F (40°C to 80°C)	Max. load 13.2 lb (6 kg)
Items	Heavily soiled cotton toweling		
Tip	Use a color detergent for dark textiles.		
1,400 rpm	Extra options: Pre-wash	Rinses: 2	
Capes		Cold to 86°F (30°C)	Max. load 5.5 lb (2.5 kg)
Items	Lightly soiled hairdressers' capes made from synthetic fibers		
Tip	Select the <i>Rinse plus</i> extra option for particularly good wash results		
600 rpm	Extra options: Rinse plus	Rinses: 2	

Program chart

Hotel

Bed Linens		104°F to 194°F (40°C to 90°C)	Max. load 17.6 lb (8 kg)
Items	Cotton or mixed fiber bed linens		
Tip	<ul style="list-style-type: none"> - The items are always soaked after the start. - Use a color detergent for colored textiles. 		
1,200 rpm	Extras: Pre-wash, Soak, Rinse plus, SoftSteam	Rinses: 2	
Table Linens/ Drapes		104°F to 167°F (40°C to 75°C)	Max. load 8.8 lb (4 kg)
Items	Tablecloths and serviettes made from cotton, linen, and mixed fibers		
Tip	<ul style="list-style-type: none"> - Select Pre-wash for stubborn stains. Use detergent with enzymes for the pre-wash. - The items are always soaked after the start. 		
1,000 rpm	Extras: Pre-wash, Soak, Intensive, Soft-Steam, Rinse hold, Starch stop	Rinses: 2	
Kitchen laundry		140°F to 185°F (60°C to 85°C)	Max. load 17.6 lb (8 kg)
Items	Cotton or linen kitchen laundry, e.g., chef's jackets and trousers, chef's hats, cleaning cloths		
Tip	<ul style="list-style-type: none"> - Select Pre-wash for stubborn stains. Use detergent with enzymes for the pre-wash. - A Pre-rinse cycle is carried out before the main wash. 		
1,200 rpm	Extra options: Pre-wash, Soak, Intensive	Rinses: 3	

Home textiles

Lightweight curtains		Cold to 104°F (40°C)	Max. load 6.6 lb (3 kg)
Items	Curtains specified as machine-washable by the manufacturer		
Tip	For curtains which crease easily, deselect the spin speed function.		
600 rpm	Optional extras: Pre-wash, Rinse plus, Rinse hold	Rinses: 3	

Program chart

Curtains		Cold to 104°F (40°C)	Max. load 6.6 lb (3 kg)
Items	Curtains specified as machine-washable by the manufacturer		
Tip	For curtains which crease easily, reduce the spin speed or deselect the spin.		
800 rpm	Extra options: Pre-wash, Pre-rinse, Rinse hold	Rinses: 3	
Down bedding		104°F to 167°F (40°C to 75°C)	1 duvet
Items	Down-filled duvets		
Tip	<ul style="list-style-type: none"> - Observe the instructions on the wash care label. - Remove any air before washing. To do this, either push the items into a narrow laundry bag to compress them or tie the items together with a washable strap. - The items are spun after wetting to remove any air. 		
1,400 rpm	Extra options: Soak, Rinse plus, Rinse hold	Rinses: 3	
Synthetic bedding		104°F to 167°F (40°C to 75°C)	Max. 17.6 lbs (8 kg) or 1 duvet
Items	Bed linen made from microfiber and duvets with a synthetic filling		
Tip	<ul style="list-style-type: none"> - Observe the instructions on the wash care label. - Use liquid detergent. 		
800 rpm	Extra options: Pre-wash, Soak, Rinse plus, Rinse hold	Rinses: 2	
Pillows		Cold to 140°F (60°C)	1–2 pillows*
Items	Washable pillows with a down or synthetic filling		
Tip	<ul style="list-style-type: none"> - Observe the instructions on the wash care label. - Remove any air before washing. To do this, either push the items into a narrow laundry bag to compress them or tie the items together with a washable strap. - The items are spun after wetting to remove any air. 		
1,400 rpm	Extra options: Pre-wash	Rinses: 3	

Program chart

Bedspreads		104°F to 167°F (40°C to 75°C)	Max. load 8.8 lb (4 kg)
Items	Synthetic or woollen bedspreads, e.g., day blankets		
Tip	Gentle wash program for covers with delicate fillings.		
800 rpm	Extra options: Pre-rinse, Rinse hold	Rinses: 3	

* 1 pillow (80 x 80 cm) or 2 pillows (40 x 80 cm)


Workwear

Oil/fat special		140°F to 194°F (60°C to 90°C)	Max. load 17.6 lb (8 kg)
Items	Work coats, jackets, hats, cleaning cloths made from cotton or mixed fibers		
Tip	<ul style="list-style-type: none"> - Activate Pre-wash for heavy contamination. - Use special detergent to improve the wash results. 		
1,400 rpm	Extra options: Pre-wash, Soak, Intensive, Rinse plus, Rinse hold	Rinses: 3	
Dust/flour special		104°F to 194°F (40°C to 90°C)	Max. load 17.6 lb (8 kg)
Items	Cotton or mixed fiber workwear, table cloths, or cleaning cloths soiled with dust or flour		
Tip	<ul style="list-style-type: none"> - Select Pre-rinse for very heavy levels of soiling. - Activate pre-wash for stubborn soiling. 		
1,400 rpm	Extra options: Pre-wash, Pre-rinse, Soak, Intensive, Rinse plus, Rinse hold	Rinses: 2	
Intensive wash		104°F to 194°F (40°C to 90°C)	Max. load 17.6 lb (8 kg)
Items	Heavily soiled workwear made from cotton, linen, and mixed fibers		
Tip	You can achieve particularly good wash and rinse results with a high water level.		
1,400 rpm	Extra options: Pre-wash, Soak, Rinse plus, Rinse hold	Rinses: 2	

Disinfection/Robert Koch Institute

☼ Dis. RKI		185°F (85°C)/15 min	Max. load 17.6 lb (8 kg)
Items	Cotton, linen, and mixed fiber textiles		
Tip	<ul style="list-style-type: none"> - Thermal disinfection with a 15-minute holding time at 185°F (85°C). - Single-bath disinfection process. - No water intake via the fabric softener compartment. 		
1,400 rpm	Extra options: Soak	Rinses: 2	
☼ Dis. RKI		158°F (70°C)/10 min	Max. load 17.6 lb (8 kg)
Items	Cotton or mixed fiber textiles, sorted by color, provided they are suitable for disinfection		
Tip	<ul style="list-style-type: none"> - Chemo-thermal disinfection with a 10-minute holding time at 158°F (70°C). - Single-bath disinfection process. - Use a detergent approved by the Robert Koch Institute. - No water intake via the fabric softener compartment. 		
1,400 rpm	Extra options: Soak	Rinses: 3	
☼ Dis. RKI		140°F (60°C)/20 min	Max. load 17.6 lb (8 kg)
Items	Cotton or mixed fiber textiles, sorted by color, provided they are suitable for disinfection		
Tip	<ul style="list-style-type: none"> - Chemo-thermal disinfection with a 20-minute holding time at 140°F (60°C). - Single-bath disinfection process. - Use a detergent approved by the Robert Koch Institute. - No water intake via the fabric softener compartment. 		
1,400 rpm	Extra options: Soak	Rinses: 3	


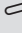
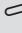
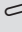
Program chart

 Dis. RKI		104°F (40°C)/20 min	Max. load 17.6 lb (8 kg)
Items	Cotton or mixed fiber textiles, sorted by color, provided they are suitable for disinfection		
Tip	<ul style="list-style-type: none"> - Chemo-thermal disinfection with a 20-minute holding time at 104°F (40°C). - Single-bath disinfection process. - Use a detergent approved by the Robert Koch Institute. - No water intake via the fabric softener compartment. 		
1,400 rpm	Extra options: Soak	Rinses: 3	

Laundry (CFPP 01-04)

Disinfection 71°C		160°F (71°C)	Max. load 9.9 lb (4.5 kg)
Items	Cotton or mixed fiber textiles, sorted by color, provided they are suitable for disinfection		
Tip	<ul style="list-style-type: none"> - Disinfection with a 3-minute holding time at 160°F (71°C). - The spin speed cannot be modified. - No water intake via the fabric softener compartment. 		
1,400 rpm	Extra options: Pre-wash, Pre-rinse	Rinses: 3	
Disinfection 65°C		149°F (65°C)	Max. load 9.9 lb (4.5 kg)
Items	Cotton or mixed fiber textiles, sorted by color, provided they are suitable for disinfection		
Tip	<ul style="list-style-type: none"> - Disinfection with a 10-minute holding time at 149°F (65°C). - The spin speed cannot be modified. - No water intake via the fabric softener compartment. 		
1,400 rpm	Extra options: Pre-wash, Pre-rinse	Rinses: 3	
MRSA		104°F (40°C)	Max. load 9.9 lb (4.5 kg)
Items	Minimum-iron textiles, sorted by color, provided they are suitable for disinfection		
Tip	<ul style="list-style-type: none"> - Add MRSA disinfectants to the fabric softener compartment. - The spin speed cannot be modified. 		
1,000 rpm		Rinses: 3	

Disinfection

 Disinfection 185°F (85°C)/15 min Max. load 17.6 lb (8 kg)		
Items	Cotton, linen, and mixed fiber textiles	
Tip	<ul style="list-style-type: none"> - Thermal disinfection with a 15-minute holding time at 185°F (85°C). - No water intake via the fabric softener compartment. 	
1,400 rpm	Extra options: Pre-wash, Pre-rinse, Rinse plus	Rinses: 2
 Disinfection 158°F (70°C)/10 min Max. load 17.6 lb (8 kg)		
Items	Cotton or mixed fiber textiles, sorted by color, provided they are suitable for disinfection	
Tip	<ul style="list-style-type: none"> - Chemo-thermal disinfection with a 10-minute holding time at 158°F (70°C). - No water intake via the fabric softener compartment. 	
1,400 rpm	Extra options: Pre-wash, Pre-rinse, Rinse plus	Rinses: 2
 Disinfection 140°F (60°C)/20 min Max. load 17.6 lb (8 kg)		
Items	Cotton or mixed fiber textiles, sorted by color, provided they are suitable for disinfection	
Tip	<ul style="list-style-type: none"> - Chemo-thermal disinfection with a 20-minute holding time at 140°F (60°C). - No water intake via the fabric softener compartment. 	
1,400 rpm	Extra options: Pre-wash, Pre-rinse, Rinse plus	Rinses: 2
 Disinfection 104°F (40°C)/20 min Max. load 17.6 lb (8 kg)		
Items	Cotton or mixed fiber textiles, sorted by color, provided they are suitable for disinfection	
Tip	<ul style="list-style-type: none"> - Chemo-thermal disinfection with a 20-minute holding time at 104°F (40°C). - No water intake via the fabric softener compartment. - An extra gentle wash rhythm allows you to wash even more sensitive textiles. 	
1,400 rpm	Extra options: Pre-wash, Pre-rinse, Rinse plus	Rinses: 2



Program chart

Further programs

Disinfection 176°F (80°C)/10 min Max. load 17.6 lb (8 kg)		
Items	Cotton, linen, and mixed fiber textiles	
Tip	<ul style="list-style-type: none"> - Thermal disinfection with a 10-minute holding time at 176°F (80°C). - No water intake via the fabric softener compartment. 	
1,400 rpm	Extra options: Pre-wash, Pre-rinse	Rinses: 2
Disinfection 167°F (75°C)/10 min Max. load 17.6 lb (8 kg)		
Items	Cotton, linen, and mixed fiber textiles	
Tip	<ul style="list-style-type: none"> - Thermal disinfection with a 10-minute holding time at 167°F (75°C). - No water intake via the fabric softener compartment. 	
1,400 rpm	Extra options: Pre-wash, Pre-rinse	Rinses: 2
Disinfection 158°F (70°C)/17 min Max. load 17.6 lb (8 kg)		
Items	Cotton or mixed fiber textiles	
Tip	<ul style="list-style-type: none"> - Thermal disinfection with a 17-minute holding time at 158°F (70°C). - No water intake via the fabric softener compartment. 	
1,400 rpm	Extra options: Pre-wash, Pre-rinse	Rinses: 2
Dental surgery garments 140°F (60°C)/60 min Max. load 17.6 lb (8 kg)		
Items	Cotton or mixed fiber textiles, sorted by color, provided they are suitable for disinfection	
Tip	<ul style="list-style-type: none"> - Chemo-thermal disinfection with a 60-minute holding time at 140°F (60°C). - No water intake via the fabric softener compartment. 	
1,400 rpm	Extra options: Pre-wash, Pre-rinse, Rinse plus	Rinses: 2

Program chart

WetCare

WetCare sensitive Cold to 86°F (30°C)		Max. load 9.9 lb (4.5 kg)
Items	Outerwear that cannot be washed, e.g., suits, smart dresses marked with the care symbol 	
Tip	<ul style="list-style-type: none"> - A finishing bath is applied after washing. - Use a liquid finishing agent for impregnation; add the detergent to the fabric softener compartment. 	
1,100 rpm	Extra options: Rinse hold	Rinses: 1
WetCare Silks Cold to 86°F (30°C)		Max. load 7.7 lb (3.5 kg)
Items	Textiles or silk items that cannot be washed and are prone to creasing	
Tip	<ul style="list-style-type: none"> - A finishing bath is applied after washing. - Use a liquid finishing agent for impregnation; add the detergent to the fabric softener compartment. 	
600 rpm	Extra options: Rinse hold	Rinses: 1
WetCare Intensive 86°F to 104°F (30°C to 40°C)		Max. load 9.9 lb (4.5 kg)
Items	Heavily soiled outerwear that cannot be washed	
Tip	<ul style="list-style-type: none"> - A finishing bath is applied after washing. - Use a liquid finishing agent for impregnation; add the detergent to the fabric softener compartment. 	
1,100 rpm	Extra options: Pre-wash, Rinse hold	Rinses: 2
WetCare Disinfection 104°F (40°C)		Max. load 9.9 lb (4.5 kg)
Items	Outerwear that cannot be washed and that is marked with the care symbol 	
Tip	- Textiles are washed and disinfected (104°F/40°C for 20 minutes).	
1,100 rpm	Extra options: Pre-wash	Rinses: 2
WetCare Hygiene 68°F to 86°F (20°C to 30°C)		Max. load 9.9 lb (4.5 kg)
Items	Sensitive textiles, e.g., outerwear	
Tip	- Textiles are washed and disinfected following the addition of a disinfectant during the rinse phase.	
1,100 rpm	Extra options: Rinse hold	Rinses: 2

Program chart

Special programs

You can put together 5 special programs and assign your own program names. Enter these into the tables.

Load: max. 17.6 lb (8 kg)

Example: *Intensive Plus*

- Pre-wash intensive
- Intensive wash, 194°F (90°C)
- Rinse 1
- Rinse 2
- Rinse 3
- Pre-treat
- Spin, 1,400 rpm

(1)

-
-
-
-
-
-
-

(2)

-
-
-
-
-
-
-

(3)

-
-
-
-
-
-
-

(4)

-
-
-
-
-
-
-

(5)

-
-
-
-
-
-
-

The 5 special programs are pre-programmed at the factory; see “Supervisor level”.

You can add extra options to the wash programs.

Not all extra options can be selected with every program. If an extra option is not listed, it is not permitted for use with the wash program in question.

Selecting extra options

- Touch the **Extras** sensor control.
- Select one or more of the extra options available.
- Confirm with the **OK** sensor control if several extra options are available.

Pre-wash

A pre-wash can be added for heavily soiled laundry. Coarse soiling is loosened and removed before the main wash.

Pre-rinse

The laundry is rinsed before the main wash to remove larger quantities of soiling, e.g., dust, sand.

Rinse plus

An extra rinse can be activated to achieve a more thorough wash result.

Soak

For heavily soiled and stained items with protein stains. The soak duration is 10 minutes.

Intensive





For hard-wearing laundry that is very heavily soiled. Cleaning efficiency is increased through more intense mechanical action and the application of more heat energy.

Water plus

The water level in the main wash and the rinses will be increased.

SoftSteam

In order to reduce creasing, the laundry undergoes a smoothing process at the end of the program. Reducing the maximum load by 50% will achieve a better result. Small loads achieve a better result.

The textiles must be suitable for drying in a tumble dryer   and suitable for ironing  .

Rinse hold

The laundry is not spun after the final rinse and remains in the rinse water. This helps prevent creasing if the laundry is not going to be removed from the drum immediately after the end of the program.

Starch stop

Water is drained out of the machine before the last rinse and the program stops. The prepared starch is added directly to the drum. The program is continued with the *Start/Stop* sensor control.

Special features in the program sequence

Spinning

Final spin speed

When a program is selected, the maximum spin speed for this wash program is shown in the display.

You can reduce the final spin speed.

However, you cannot select a final spin speed higher than that shown in the chart.

Rinse-spin

There is a spin cycle after the main wash and between the rinse cycles. A reduction in the final spin speed will also reduce the rinse-spin speed as appropriate.

Deselecting the rinse-spin and final spin

- Select the program setting *Spin speed 0*.

After the last rinse cycle, the water will be pumped away and the anti-crease phase will switch on.

Anti-crease

At the end of the program, the drum continues to turn at intervals for up to 30 minutes to help prevent creasing. The washing machine can be opened at any time.

There is no anti-crease phase at the end of some programs.

Changing the program sequence

A program cannot be canceled or changed when operating a payment system.

Changing a program

After a program has started, it is no longer possible to select a different program.

You will need to cancel the current program before you can select a new one.

Canceling a program

You can cancel a wash program at any time after it has started.

- Touch the *Start/Stop* sensor control.

The following will appear in the display:

i Cancel the program?

- Select *yes*.

The following will appear in the display:

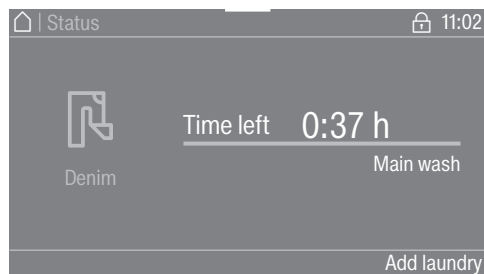
Program cancelled.

The suds are pumped away.

- Wait until the door unlocks.
- Pull open the door.
- Remove the laundry.

Adding or removing laundry

You can add or remove items during the first few minutes after the program has started.



- Touch the *Add laundry* sensor control.

If the message *Add laundry* is not visible in the display then it is no longer possible to add items of laundry.

The program will stop and the door will unlock.

⚠ Risk of chemical burns from detergent.

When adding or removing laundry, your skin may come into contact with detergent, particularly if the detergent is dispensed externally.

Take care when placing your hands inside the drum.

If suds have come into contact with the skin, rinse off immediately with plenty of lukewarm water.

- Pull open the door.
- Add laundry or remove individual items.
- Close the door.
- Touch the *Start/Stop* sensor control.

The wash program will continue.

Changing the program sequence

The safety lock will remain activated if the temperature in the drum is above 131°F (55°C). The lock will not deactivate until the temperature has dropped to below 131°F (55°C).



Risk of electric shock.

Only ever perform cleaning and maintenance work when the appliance is disconnected from the power.

Disconnect the washing machine from the power supply.

Cleaning the housing and control panel



Damage caused by cleaning agents.

Solvent-based cleaning agents, abrasive cleaners, glass cleaners, or multi-purpose cleaning agents can cause damage to plastic surfaces and other parts.

Do not use any of these cleaning agents.



Risk of damage due to ingress of water.

The pressure of a water jet can cause water to get into the washing machine, resulting in damage to components.

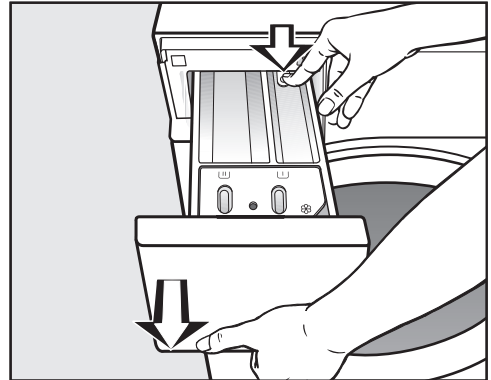
Do not spray the washing machine with a water jet when hosing down.

- Clean the housing and control panel with a mild cleaning agent or soap and water and dry both with a soft cloth.
- The drum and any other stainless steel components can be cleaned using a suitable stainless-steel cleaning agent.

Cleaning the detergent dispenser drawer

Washing at low temperatures and the use of liquid detergent can lead to a build-up of bacteria in the detergent dispenser drawer.

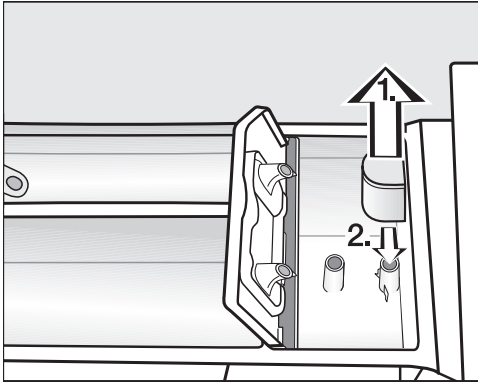
- For hygiene reasons, clean the entire drawer at regular intervals.



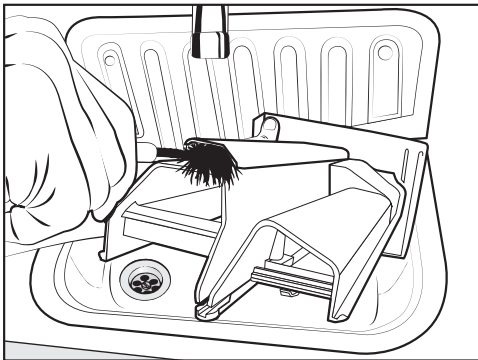
- Pull out the detergent dispenser drawer until a resistance is felt. Press down the release button and at the same time pull the drawer right out of the machine.
- Clean the detergent dispenser drawer with warm water.

Cleaning and care

Cleaning the siphon and the channel

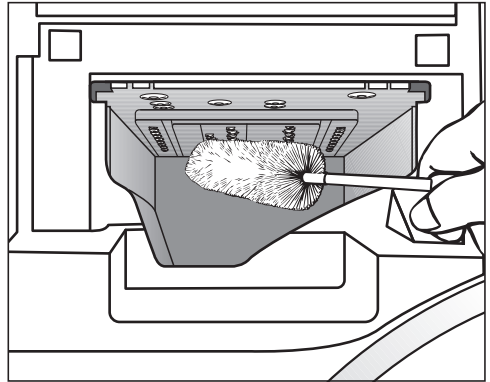


- Pull the siphon out of the ☸ compartment. Clean the siphon under warm running water. Clean the siphon tube in the same way.
- Re-install the siphon.



- Clean the fabric softener channel with a brush and warm water.

Cleaning the detergent dispenser drawer housing




- Use a bottle brush to remove detergent residues and limescale from the jets inside the detergent dispenser drawer.
- Replace the detergent dispenser drawer.

Tip: Leave the detergent dispenser drawer slightly open to allow it to dry.

Cleaning the drum, suds container, and drainage system

The drum, suds container, and drainage system can be cleaned if necessary.

- Start the *Clean machine* program.
- Add powder detergent to the  compartment in the detergent dispenser drawer.
- At the end of the program, check the inner drum and remove any coarse residues.

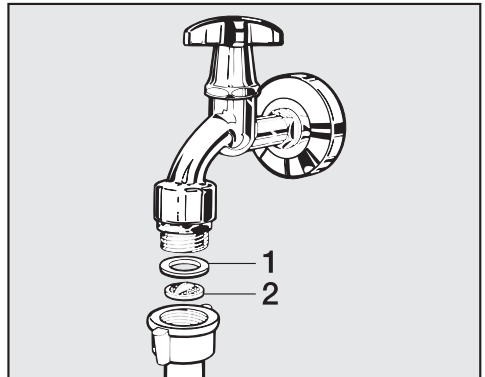
Use the *Clean machine* program regularly if you frequently use disinfection programs.

Cleaning the water intake filters

The washing machine has filters to protect the water intake valves. Check these filters every 6 months or so. Check the filters more often if there are frequent interruptions to the external water supply.

Cleaning the filters in the intake hoses

- First turn off the faucet.
- Unscrew the intake hose from the faucet.



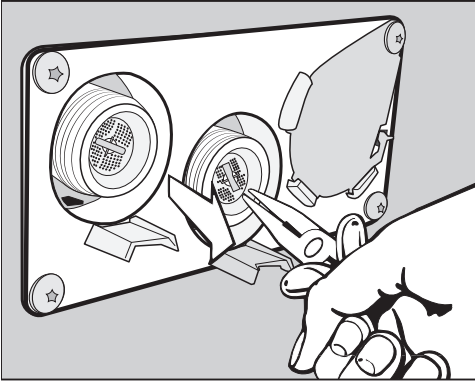
- Remove the rubber seal **1** from the connector.
- Using pointed pliers, take hold of the plastic filter bar **2** and pull it through the filter.
- Clean the plastic filter.
- Reassemble the appliance in reverse order.

Make sure there is no water leaking from the screw thread.
Tighten the screw thread.

Cleaning and care

Cleaning the filters in the water intake valves

- Using pliers, carefully loosen the ribbed plastic nut on the intake valve and unscrew.



- Use pointed pliers to grip the bar and pull out the filter; then clean the filter. Reassemble the appliance in reverse order.



The filters must be put back in place after cleaning.

Frequently asked questions

You are able to correct the majority of faults and problems that arise during day-to-day use without external assistance. You can save time and money in many cases, as you do not need to contact Miele Technical Service.






The following tables are designed to help you to find the cause of a malfunction or a fault and to resolve it.

The wash program will not start.

Problem	Possible cause and solution
The display remains dark, and the <i>Start/Stop</i> sensor control does not light up or flash.	There is no power to the machine. <ul style="list-style-type: none"> ■ Check whether the washing machine is switched on. ■ Check whether the washing machine is connected to the power supply. ■ Check whether the circuit breaker has tripped.
	The washing machine has switched off automatically to save energy. <ul style="list-style-type: none"> ■ Switch the washing machine back on with the  button.
The following appears in the display:  Door will not lock. Contact Service..	The door is not closed properly. The door lock could not engage. <ul style="list-style-type: none"> ■ Close the door again. ■ Start the program again. If the fault message appears again, contact Technical Service.
The program does not start when <i>Spin</i> has been selected.	You have not yet completed the initial commissioning process. <ul style="list-style-type: none"> ■ Perform the <i>Initial commissioning process</i> as described in these instructions.
The display is dark and the <i>Start/Stop</i> sensor control is flashing slowly.	The display has switched off automatically to save energy. <ul style="list-style-type: none"> ■ Touch any of the controls. The display switches back on.

Frequently asked questions

Program cancellation and error message

Problem	Possible cause and solution
 Drainage fault. Clean drain filter and pump. Check the drain hose.	The drain is blocked or restricted. The drain hose has been fixed too high. <ul style="list-style-type: none"> ■ Clean the drain filter and the drain pump. ■ The maximum drain height is 3' 3 3/8" (1 m).
 Water intake fault. Open the water supply.	The water intake is blocked or restricted. <ul style="list-style-type: none"> ■ Check whether the water supply is turned on properly. ■ Check whether the intake hose is kinked.
	The water pressure is too low. <ul style="list-style-type: none"> ■ Switch on the Low water pressure setting (see “Low water pressure” under “Supervisor level”).
	The filters in the water intake are blocked. <ul style="list-style-type: none"> ■ Clean the filters (see “Cleaning the filters” under “Cleaning and care”).
 Waterproof system activated.	The water protection system has reacted. <ul style="list-style-type: none"> ■ Turn off the water supply. ■ Contact Technical Service.
 Disinfection temperature not reached	The required temperature was not reached during the disinfection program. <ul style="list-style-type: none"> ■ The washing machine has not carried out the disinfection cycle correctly. ■ Start the program again.
 Fault F. If restart fails, contact Service.	There is a fault. <ul style="list-style-type: none"> ■ Disconnect the washing machine from the power supply. ■ Wait at least 2 minutes before reconnecting the washing machine to the power supply. ■ Switch the washing machine on again. ■ Start the program again. If the fault message appears again, contact Technical Service.


A fault message appears in the display¹

Problem	Possible cause and solution
i Container empty	One of the external detergent containers is empty. ■ Refill the detergent container.
i Hygiene info: run the Maintenance hygiene program, or a program of at least 60°C	During the last wash, a wash program with a temperature below 140°F (60°C) or the <i>Drain/Spin</i> program was selected. ■ Start a program with a minimum temperature of 140°F (60°C) or the Maintenance Wash Hygiene program.
i Check hot water intake	The hot water supply is blocked or restricted. ■ Check whether the hot water supply has been turned on properly. ■ Check whether the intake hose is kinked.
i Align the machine. Laundry not properly spun	The selected spin speed was not reached during the final spin due to excessive imbalance. ■ Check that the washing machine is level. ■ Start the spin cycle again.
i Machine is leaking	The washing machine or drain valve is leaking. ■ Turn off the water supply. ■ Contact Technical Service.


¹ The messages will appear at the end of the program and when the washing machine is switched on and needs to be confirmed with the *OK* sensor control.

Frequently asked questions

Unsatisfactory wash results

Problem	Possible cause and solution
Liquid detergent is not achieving the required results.	<p>Liquid detergents do not usually contain bleaching agents. They do not remove fruit, coffee, and tea stains.</p> <ul style="list-style-type: none">■ Use powder detergent containing a bleaching agent.■ Pour stain removers into the  drawer in the dispenser compartment and liquid detergent into a dispenser ball.■ Never put stain removers and liquid detergent together in the detergent dispenser drawer.
White residues which look like powder detergent are seen on dark textiles after washing.	<p>The detergent contained compounds (zeolites) to aid water softening which are not soluble in water. These have ended up on the laundry.</p> <ul style="list-style-type: none">■ Try and brush off the residues with a soft brush once the laundry is dry.■ In the future, wash dark textiles using a detergent which contains no zeolites. Liquid detergents do not usually contain zeolites.
Textiles that were very greasy are not properly clean.	<ul style="list-style-type: none">■ Select a program with pre-wash. Use liquid detergent for the pre-wash.■ Use an industrially available powder detergent for the main wash. <p>The use of heavy-duty detergent is recommended in the main wash for very heavily soiled work clothing. Please seek advice from the detergent and cleaning agent manufacturer.</p>
There are gray, oily particles clinging to washed laundry.	<p>Insufficient amounts of detergent were used. The laundry was heavily soiled with grease (oils, ointments).</p> <ul style="list-style-type: none">■ Use more detergent or use liquid detergent with this type of soiled laundry.■ Before washing the next load, run a 140°F (60°C) program with liquid detergent and no load.


General problems with the washing machine

Problem	Possible cause and solution
The machine shakes during the spin cycle.	The machine feet are not level and not secured. <ul style="list-style-type: none"> ■ Level the machine and adjust the feet correctly.
Strange pump noises can be heard.	This is not a fault. These slurping noises occur at the start and end of a pump sequence as a normal part of the operation.
Large amounts of detergent residue remain in the detergent dispenser drawer.	The water pressure is too low. <ul style="list-style-type: none"> ■ Clean the filters in the water intake.
	Powder detergent used in conjunction with water softeners tends to become sticky. <ul style="list-style-type: none"> ■ Clean the detergent dispenser drawer and in future, add detergent first and then the water softener.
Fabric softener is not completely dispensed or too much water remains in the  compartment.	The siphon is not correctly positioned or is clogged up. <ul style="list-style-type: none"> ■ Clean the siphon (see “Cleaning the detergent dispenser drawer” under “Cleaning and care”).
The display is in a different language.	A different language has been selected. <ul style="list-style-type: none"> ■ Switch the washing machine off and on again. <p>The selected supervisor language appears in the display.</p>
	The supervisor language has been changed. <ul style="list-style-type: none"> ■ Select the language you require (see “Language” under “Supervisor level”).
The laundry has not been spun properly. The laundry is still wet.	The machine detected a high level of imbalance during the final spin and reduced the spin speed automatically. <ul style="list-style-type: none"> ■ Include both large and small items in the load as this will achieve better distribution.
At the end of the program there is still liquid in the cap.	The small pipe in the detergent dispenser drawer onto which the cap is placed is blocked. <ul style="list-style-type: none"> ■ Clean the small pipe.
	This is not a fault. For technical reasons, a small amount of water will remain in the cap.

Frequently asked questions

Problem	Possible cause and solution
There is water next to the cap in the fabric softener compartment.	<p>The CapDosing sensor control was not activated or an empty cap was not removed at the end of the last wash program.</p> <ul style="list-style-type: none">■ Activate the CapDosing sensor control when a cap is next used.■ Remove and then dispose of the empty cap at the end of each wash cycle. <p>The small pipe in the detergent dispenser drawer onto which the cap is placed is blocked.</p> <ul style="list-style-type: none">■ Clean the small pipe.
The drum remains stationary but the program keeps running.	<ul style="list-style-type: none">■ Switch the washing machine off and then back on with the ⏻ button.■ Note the message in the display.■ Touch the <i>Start/Stop</i> sensor control. <p>The drum continues to spin and the program continues.</p>

The door will not open

Problem	Possible cause and solution
<p>The door cannot be pulled open during a program.</p>	<p>The door is locked during the wash program.</p> <ul style="list-style-type: none"> ■ Touch the <i>Start/Stop</i> sensor control. ■ Select <i>Cancel program</i> or <i>Add laundry</i>. <p>The door will unlock and you will be able to pull it open.</p> <hr/> <p>There is still water in the drum and the machine is unable to drain.</p> <ul style="list-style-type: none"> ■ Clean the drainage system as described under “Opening the door in the event of a blocked drain outlet and/or power outage”.
<p>At the end of a program or when a program is canceled, the following appears in the display: Cooling down or Comfort cooling •</p>	<p>To protect the user against scalding, the door cannot be opened if the suds temperature is higher than 130°F (55°C).</p> <ul style="list-style-type: none"> ■ Wait until the temperature in the drum has decreased and the message has gone out in the display.
<p>The following appears in the display:  The door lock is jammed. Contact Service.</p>	<p>The door lock has jammed.</p> <ul style="list-style-type: none"> ■ Contact Technical Service.

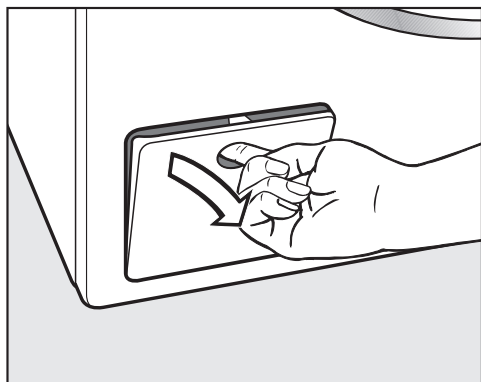
Frequently asked questions

Opening the door in the event of a blocked drain outlet and/ or power outage

⚠ Risk of electric shock.

Only ever perform cleaning and maintenance work when the appliance is disconnected from the power.

Disconnect the washing machine from the power supply.



- Open the access flap to the drain system.

Blocked drain outlet

If the drain outlet is blocked, there may be a large quantity of water (max. 30 l) left behind in the washing machine.

⚠ Risk of scalding due to hot suds.

Escaping suds will be hot if laundry has been washed at high temperatures.

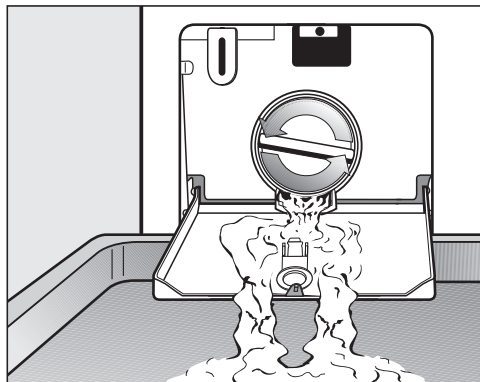
Carefully allow all suds to drain off.

Emptying the drum

... For machines with a drain filter

- Place a suitable container under the access flap.

Remove the drain filter, though not completely.

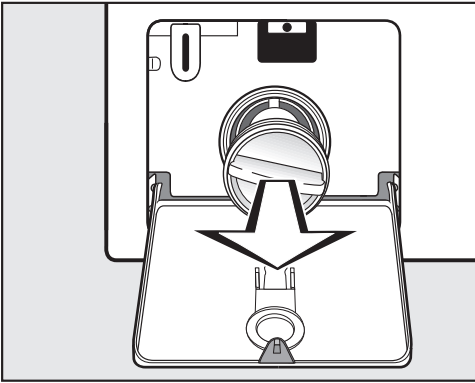


- Slowly unscrew the drain filter to let the water out.
- Tighten the drain filter back up again if you need to interrupt the flow of water.

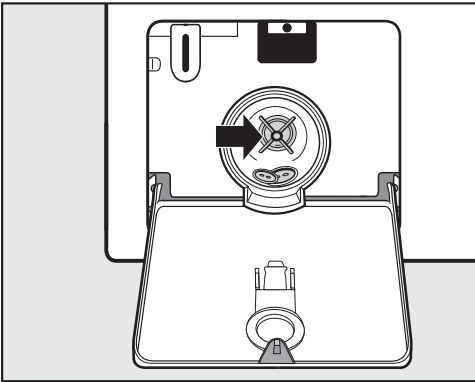
Frequently asked questions

Cleaning the drain filter


Once the flow of water ceases:



- Remove the drain filter completely.
- Clean the drain filter thoroughly.



- Check the drain pump impellers to make sure they can rotate freely.
- Remove any foreign objects (e.g., buttons, coins, etc.) and clean the interior.
- Put the drain filter back in place and secure it.

 Risk of damage from leaking water.

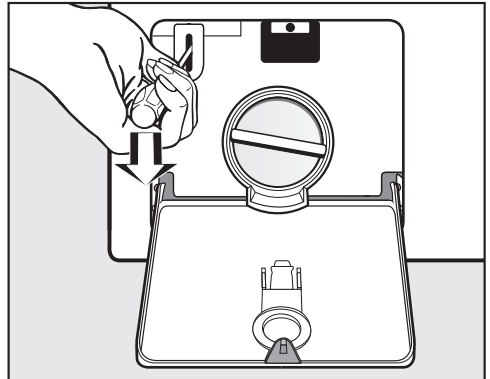
Water will escape from the machine if you forget to replace the drain filter. Replace the drain filter correctly and tighten it securely.

Opening the door

 Danger of injury due to rotating drum.

Reaching into a rotating drum is extremely dangerous and may result in injury.

Always make sure that the drum is stationary before reaching in to remove laundry.



- Use a screwdriver to unlock the door.
- Pull open the door.

Technical Service

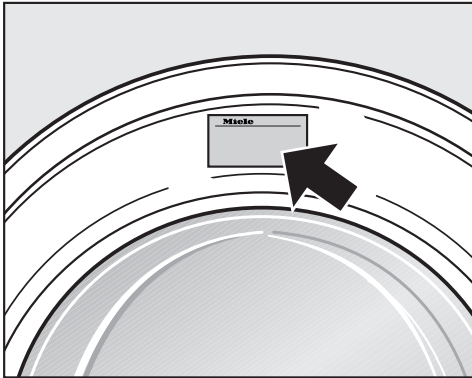
Contact in the event of a fault

In the event of a fault which you cannot remedy yourself, please contact your Miele dealer or Miele Technical Service.

Contact information for Miele Technical Service can be found at the end of this document.

Please quote the model and serial number of your appliance when contacting Miele. Both pieces of information can be found on the data tag.

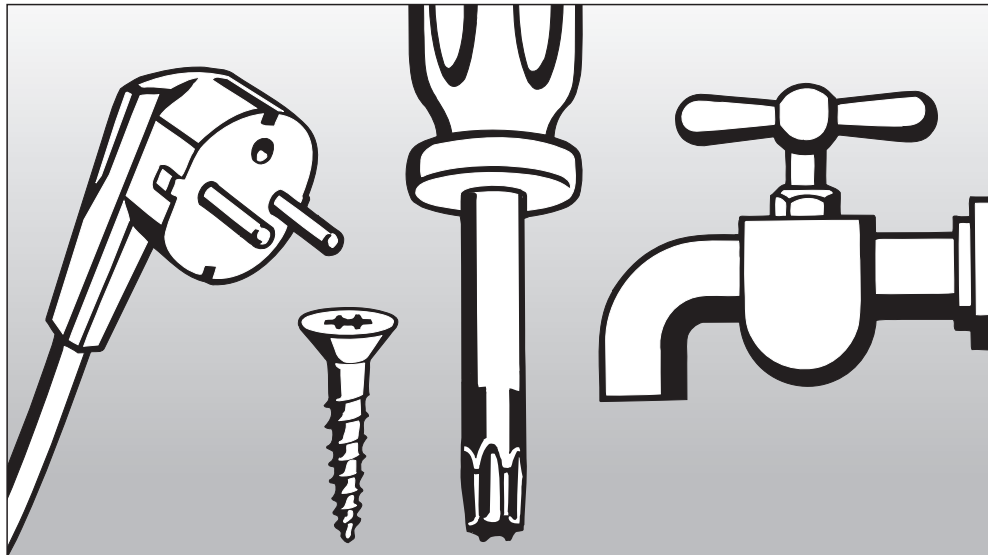
The data tag is found above the port-hole glass when the washing machine door is opened:



Optional accessories

Optional spare parts and accessories for this washing machine are available from your Miele dealer or Miele Technical Service.

Installation instructions



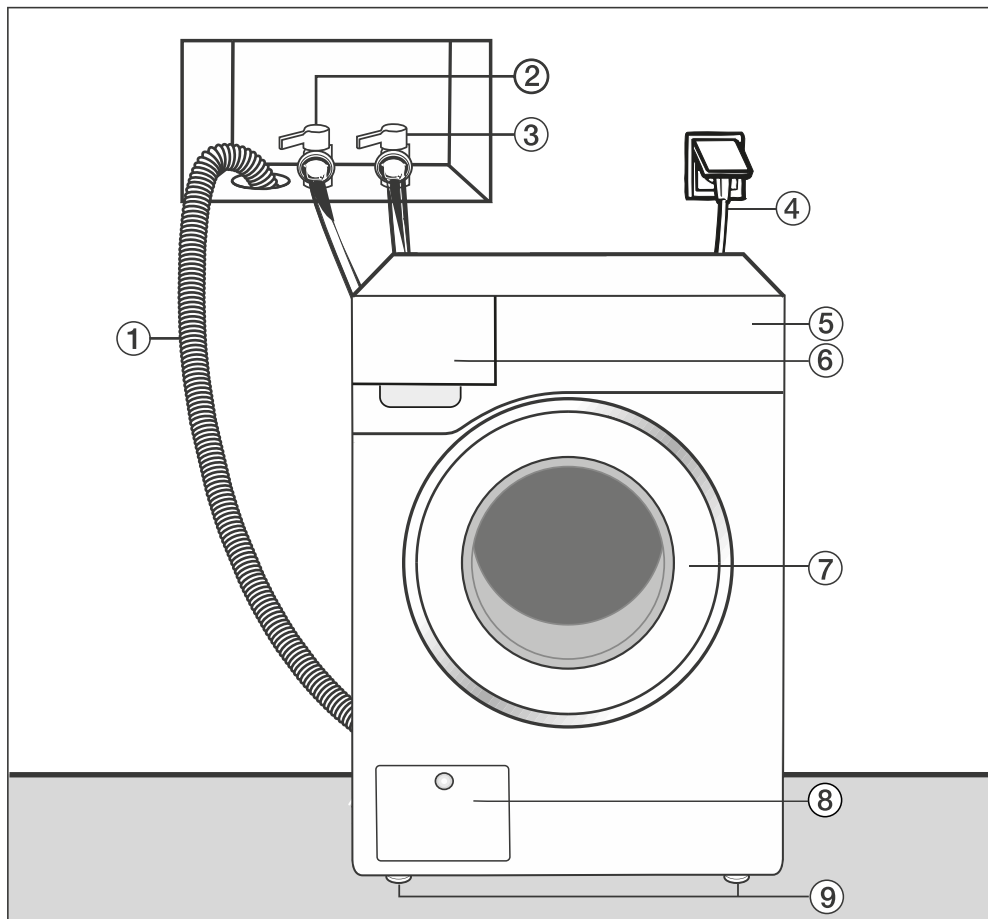
Alteration rights reserved.

Visit our website for all the current product specifications, technical appliance information, and warranty information.

To avoid accidents or damage to the appliance, please read these instructions before installing and/or using it.

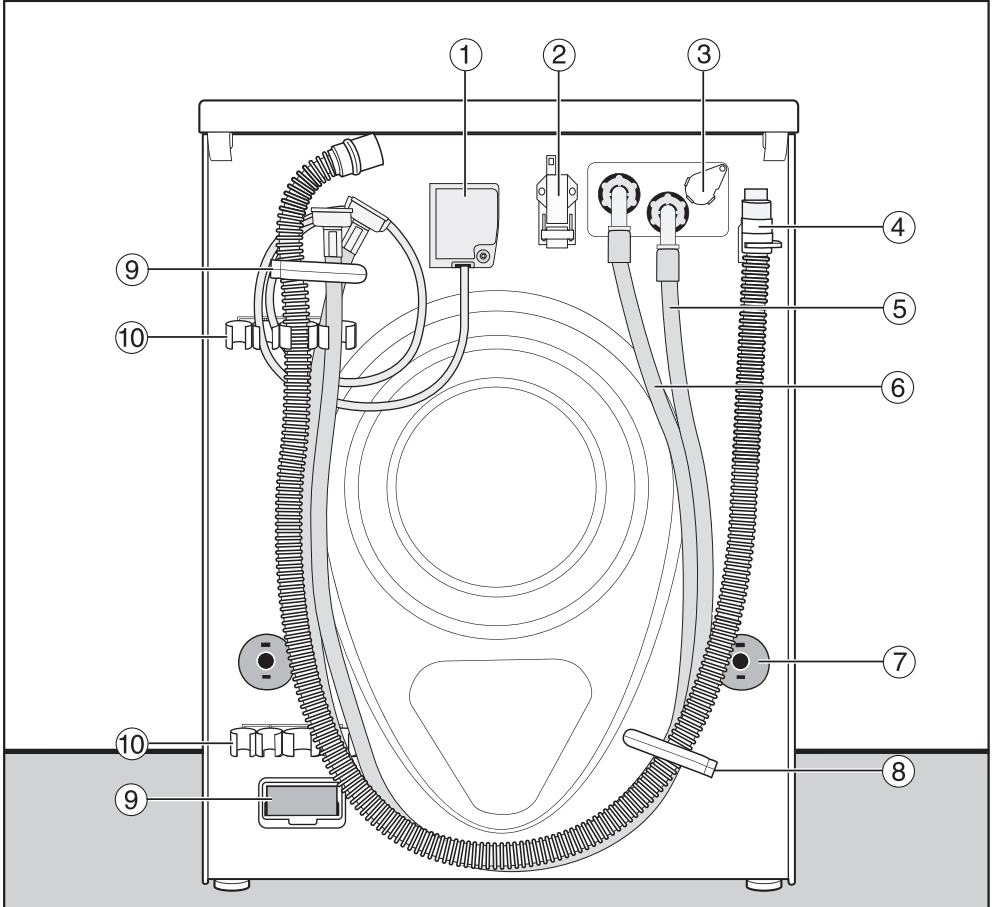
Installation and connection

Front view



- ① Drain hose
- ② Intake hose (cold water)
- ③ Intake hose (hot water), if attached
- ④ Electrical connection
- ⑤ Control panel
- ⑥ Detergent dispenser drawer
- ⑦ Door
- ⑧ Access flap to drain filter and drain pump
- ⑨ Height-adjustable feet

Rear view

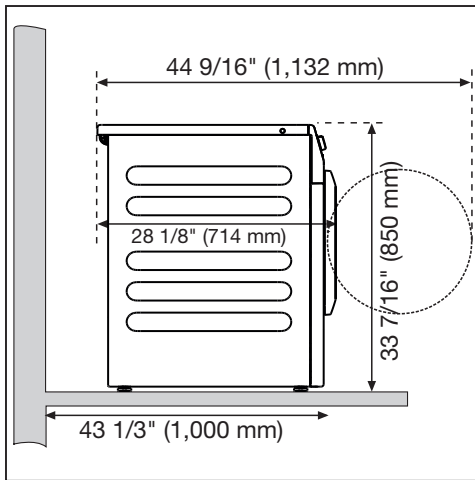


- ① Electrical connection
- ② Interface for communicating with external appliances
- ③ Socket for external dispensing
- ④ Drain hose
- ⑤ Intake hose (cold water)
- ⑥ Intake hose (hot water), if attached
- ⑦ Safety caps for shipping struts
- ⑧ Transport clips for hoses
- ⑨ Module slot (for external communication module)
- ⑩ Holder for removed shipping struts

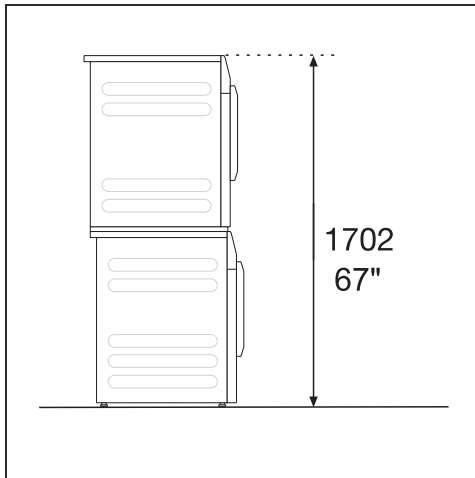
Installation and connection

Installation locations

Side view



Washer-dryer stack



The washing machine can be installed as a washer-dryer stack together with a Miele Tumble Dryer. A stacking kit (APCL 001, optional accessory) is required for this.

Installation on a plinth

The washing machine can be installed on a steel plinth (open or closed, e.g. APCL 002, APCL 003, APCL 005, APCL 007, APCL 011 or APCL 012, available as an optional Miele accessory) or on a concrete plinth.

! Injury can occur if the washing machine has not been adequately secured.

When installing the machine on a plinth, there is the danger of the washing machine falling off the plinth during spinning.

Secure the washing machine using the clamps supplied.

Installation notes

This washing machine is not suitable for building under.

! Risk of damage due to moisture ingress.

Moisture can damage electrical components.

Do not install the machine near or directly above an open gully or floor drain.

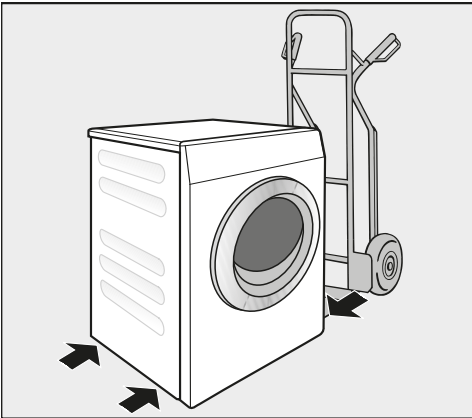
Transporting the washing machine to its installation site

⚠ Danger of injury from incorrect transport.

If the washing machine tips up there is a danger of injury to people and damage to property.

Make sure the washing machine is stable during transportation.

Transporting the washing machine with a sack truck



- If transporting the washing machine with a sack truck, make sure its left or right side is resting on the truck.

⚠ Risk of damage from incorrect transport.

The front or back of the washing machine may be damaged if the machine is transported with a sack truck.

Always insert the sack truck under one of the sides of the washing machine.

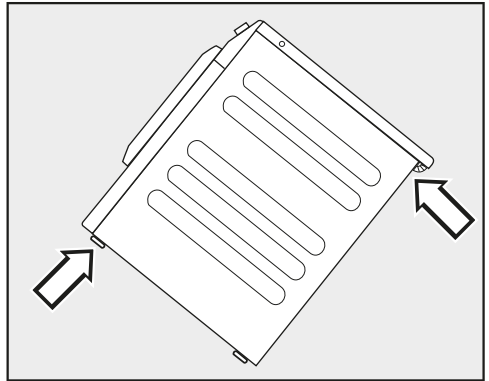
Transporting the washing machine to its installation site

The protruding lid at the back can be used to hold the machine when transporting.

⚠ Danger of injury due to insecure lid.

The fixings at the back of the lid may become brittle due to external circumstances. There is a danger of the lid being pulled off when carrying the appliance.

Before carrying the appliance, check that the lid is secure where it protrudes at the back of the appliance.



- Carry the washing machine by the front feet and by the lid where it protrudes at the back of the appliance.

Installation and connection

Installation surface

A concrete floor is the most suitable installation surface for this machine. It is far less prone to vibration during the spin cycle than wooden floorboards or a carpeted surface.

- The machine must be level and securely positioned.
- To avoid vibrations during spinning, the machine should not be installed on soft floor coverings.

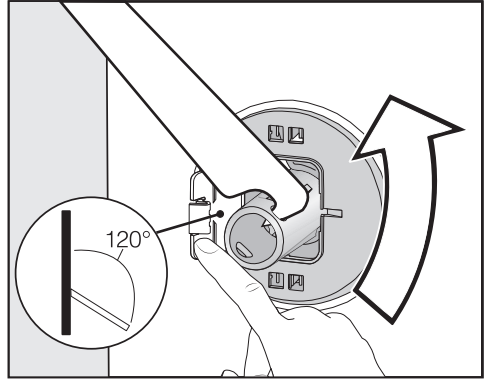
If installing on a wooden joist floor:

- Install the machine on a plywood base (at least 2' 3 9/16" x 1' 11 5/8" x 1 3/16" (70 x 60 x 3 cm)). The base should span several joists and be bolted to the joists and not only to the floorboards.

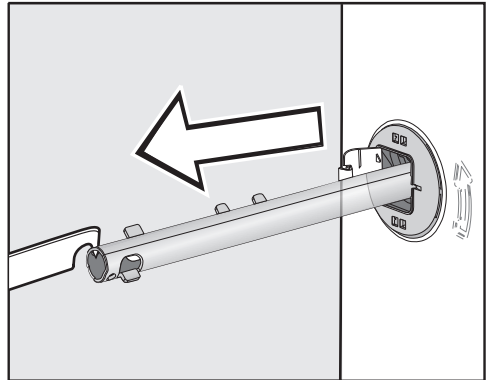
Tip: If possible, install the machine in a corner of the room. This is usually the most stable part of the floor.

Removing the shipping struts

Removing the left-hand shipping strut

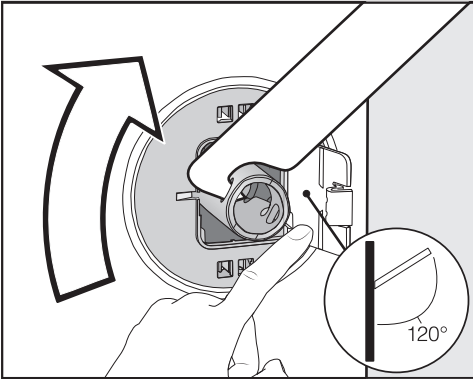


- Open the cover and use the wrench supplied with the washing machine to turn the shipping strut 90°.

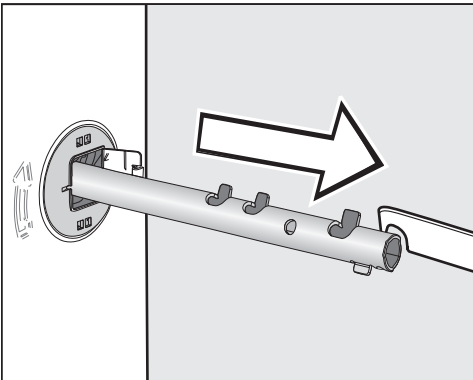


- Pull out the shipping strut.

Removing the right-hand shipping strut




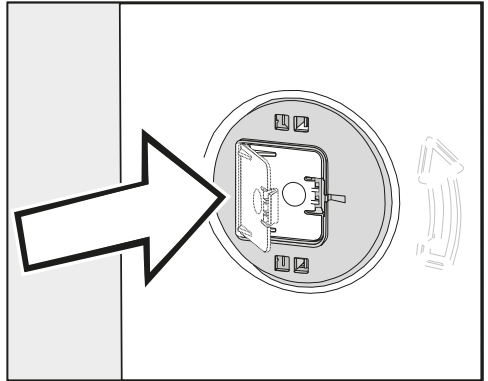
- Open the cover and use the wrench supplied with the washing machine to turn the shipping strut 90°.



- Pull out the shipping strut.

Covering the holes

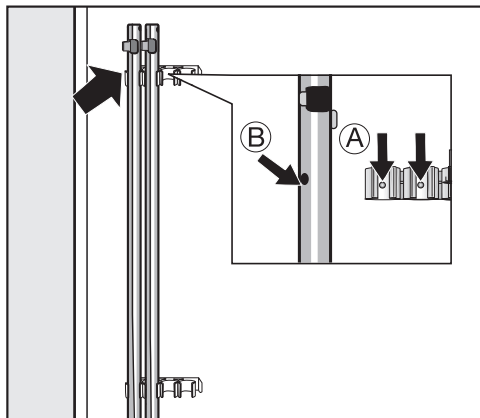
 Risk of injury from sharp edges. There is a risk of injury from reaching into holes that are not covered. Cover the holes for the shipping struts after they have been removed.



- Press the covers firmly shut until they click into place.

Installation and connection

Securing the shipping struts



- Secure the shipping struts to the back of the washing machine.

Tip: Make sure that the holes (B) are placed over the retainers (A).

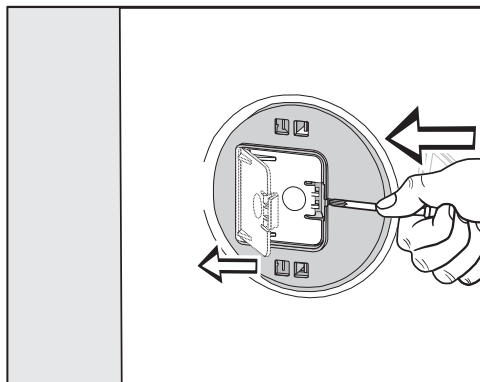
⚠ Risk of damage from incorrect transport.

The washing machine may become damaged if moved without the shipping struts in place.

Keep the struts in a safe place. Install them again if the washing machine is to be moved (e.g., when moving to a new house).

Installing the shipping struts

Opening the covers



- Press against the catch with a thin object (a narrow screwdriver, for example).

The cover opens.

Installing the shipping struts

- Install the shipping struts by following the instructions for their removal in reverse order.

Tip: The struts will slide in more easily if you lift the drum slightly.

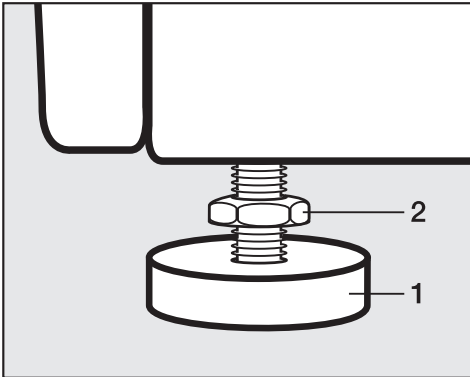
Leveling the washing machine

The washing machine must stand perfectly level on all four feet to ensure safe and proper operation.

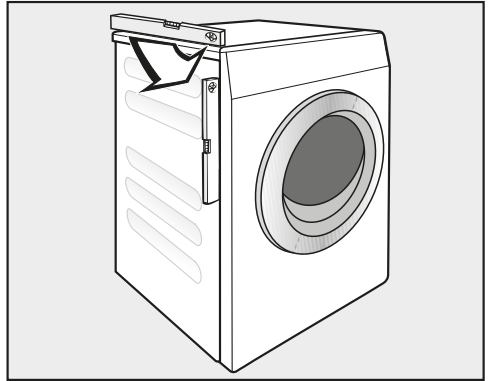
Incorrect installation may increase electric and water consumption and may cause the machine to move about.

Unscrewing and adjusting the feet


The 4 adjustable screw feet are used to level the washing machine. All four feet are screwed in when the machine is delivered.



- Using the wrench supplied, turn counter nut **2** in a clockwise direction. Then turn counter nut **2** together with foot **1** to unscrew.



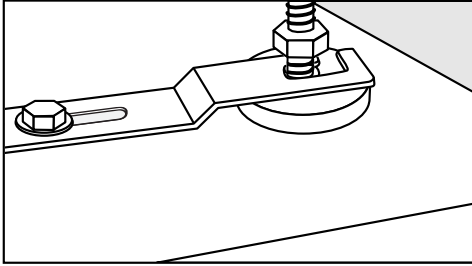
- Use a spirit level to check that the washing machine is standing level.
- Hold foot **1** securely with a pipe wrench. Turn counter nut **2** again using the wrench supplied until it sits firmly up against the housing.

 Risk of damage due to incorrectly aligned washing machine. There is a danger of the washing machine moving about if the feet are not secured.

Turn all 4 counter nuts for the feet until they sit firmly up against the housing. Please also check this for the feet which did not need adjustment.

Installation and connection

Securing the washing machine against slippage



- Secure the front feet of the washing machine using the clamps supplied.
- Follow the installation instructions supplied.

External control equipment

The XCI box accessory is needed to connect external control equipment, such as payment systems, dispensing systems or peak load control units.

Payment system

This washing machine can be fitted with a payment system (optional accessory).

The necessary reprogramming must always be carried out by Miele Technical Service or a Miele Service Dealer.

Coins/tokens must be removed from the coin box regularly. Otherwise, the payment system will become blocked.

Water connection

Cold water connection

The washing machine should be connected to a domestic water supply in accordance with current local and national safety regulations. The German authorities do not require it to have a non-return valve as the washing machine has been designed to comply with DIN regulations.

The flow pressure must amount to a minimum of 14.5 psi (100 kPa) and must not exceed 145 psi (1,000 kPa). If the pressure exceeds 145 psi (1,000 kPa), a pressure reducing valve must be installed.

For the connection, a faucet with a $\frac{3}{4}$ inch screw thread is required. If this type of faucet is not available, only a qualified installer may connect the washing machine to the domestic water supply.

The connection point is subject to domestic water pressure. You should therefore open the faucet slowly and check for leaks. Correct the position of the washer and screw thread if appropriate.

The intake hose for cold water is not suitable for connection to a hot water supply.

Switching to cold water operation

If the washing machine is not connected to a hot water point, you will have to configure the settings *Main wash water*, *Pre-wash water*, and *Rinse water* to cold (see "Supervisor level").

- Unscrew the hot water hose.
- Screw on the stopper provided.

Maintenance

Only use genuine Miele hoses that have been tested to withstand pressure of at least 1,015 psi (7,000 kPa) should you ever need a replacement.

A filter is located in the open end of the intake hose and another in the intake point to protect the water intake valves.

Neither filter may be removed.

Hose extension

Longer hoses of 8' 2 $\frac{7}{16}$ " or 13' 1 $\frac{1}{2}$ " (2.5 m or 4.0 m) in length are available from Miele Technical Service or from your Miele dealer as accessories.

Installation and connection

Hot-water connection*

The hot water temperature must not exceed 158°F (70°C).

To minimize energy consumption during operation with hot water, the washing machine should be connected to a suitable hot water ring circuit. So-called “transmission pipes” (single pipes to hot water generators) can result in any water remaining in the pipes cooling down if not in constant use. More energy would then be consumed to heat the liquid up again.

The same connection requirements as for cold water also apply to hot water.

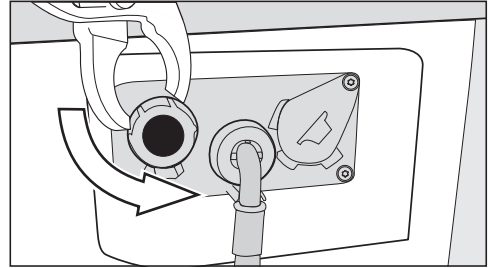
The intake hose (hot = red stripes) is connected to the faucet.

The washing machine cannot only be connected to a hot water connection.

* Some machine versions do not come with a hot water hose.

Switching to hot water operation

If the washing machine is due to be connected to a hot water point, you can configure the settings *Main wash water*, *Pre-wash water*, and *Rinse water* to hot (see “Supervisor level”).



- Unscrew the stopper from the hot water valve.
- Screw on the hot water hose.

Water drainage

Drain pump

The suds are drained through a drain pump with a 1 m delivery head. For the water to drain freely, the hose must be installed free of kinks. The swivel elbow (accessory) can be hooked onto the end of the hose.

Drainage options

1. Connected securely to a plastic drain pipe with a rubber nipple (there is no need to use a non-return valve).
2. Connected securely to a sink with a plastic nipple.
3. Connected securely to a floor drain.

If required, the hose can be extended to a length of up to 16.4 ft (5 m). Accessories are available from your Miele dealer or Miele Technical Service.

For a drain height of more than 1 m (up to a max. of 1.6 m), a replacement drain pump is available from Miele Technical Service or from your Miele dealer.


Installation and connection

Electrical connection

This description applies to washing machines both with and without a power plug.

The following applies to washing machines with a power plug:

- The washing machine is ready to be connected.
- The power plug must be easily accessible after installation so that the machine can be disconnected from the power supply if necessary.

 **Damage caused by incorrect supply voltage.**

The data tag indicates the nominal power consumption and the appropriate fuse rating.

Compare the specifications on the data tag with those of the domestic electrical supply and make sure that they match.

The washing machine may only be connected to a permanent electrical system that conforms to the national and local codes and regulations.

Do not connect the machine to an extension lead or multi-socket adapter as they do not guarantee the required safety of the appliance (e.g., danger of overheating).

If the machine is hard-wired, a dual circuit breaker must be provided on-site. When switched off there must be an all-pole contact gap of at least 3 mm in the isolator switch (including circuit breakers, breakers, and relays according to

IEC/EN 60947). This connection process must be performed by a qualified electrician.

The plug connector or isolator switch should be easily accessible at all times.

 **Risk of electric shock.**

If the washing machine is disconnected from the power supply, protective measures should be taken to ensure that the point of disconnection cannot accidentally be switched on again.

Make sure the isolator is lockable or the point of disconnection is monitored at all times.

New connections, modifications to the system, or servicing of the ground conductor, including determining the correct fuse rating, must be carried out by a qualified electrician, as they are familiar with the pertinent regulations and the specific requirements of the electric utility company.

If converting the washing machine to an alternative voltage, observe the instructions in the wiring diagram. Conversion must be performed by Miele Technical Service or by an authorized Miele dealer.

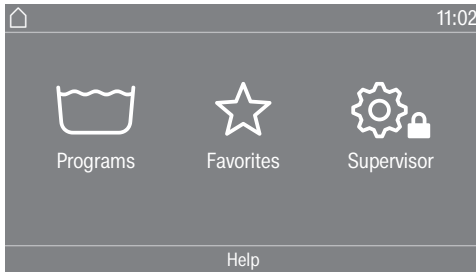
Technical data


Height	33 7/16" (850 mm)
Width	23 7/16" (596 mm)
Width (for machines with a stainless steel lid)	23 13/16" (605 mm)
Depth	28 1/8" (714 mm)
Depth with door open	44 9/16" (1,132 mm)
Weight	Approx. 220 lb (100 kg)
Maximum floor load in operation	3,000 Newton
Capacity	19.8 lb (9 kg) dry laundry
Connection voltage	See data tag on back of machine
Rated load	See data tag on back of machine
Fuse rating	See data tag on back of machine
A-rated sound emissions L_{pA} in accordance with EN ISO 11204/11203	< 70 dB re 20 μ Pa
Minimum water flow pressure	14.5 psi (100 kPa /1 bar)
Maximum water flow pressure	145 psi (1,000 kPa /10 bar)
Water intake hose length	5' 1" (1.55 m)
Power cord length	5' 10 7/8" (1.80 m)
Maximum delivery head (drain pump)	3' 3 3/8" (1.00 m)
LEDs	Class 1
Test certificates awarded	See data tag
Frequency band of the WiFi module	2.412 GHz – 2.472 GHz
Maximum transmission power of the WiFi module	< 100 mW

Supervisor level

Opening the Supervisor level

- Switch on the washing machine.



- Touch the Supervisor  sensor control.

The display will switch to the Supervisor level menu.

Code-based access

The Supervisor level is accessed using a code.

The code is **000** (factory default).

Changing the PIN code

You can alter the Supervisor level access code to protect the washing machine from unauthorized access.

Please inform Miele Technical Service if you have forgotten your new code. Technical Service will have to reset the code.

Make a note of your new code and store it in a safe place.

Closing the settings menu

- Touch the  sensor control.

The display will then go back to the previous menu level.


- Touch the  sensor control.

The display will change to the main menu.

Operation/display

Language


The display can be set to appear in one of several different languages. To select the permanent supervisor language you want, go to the Languages sub-menu.

When a program is running, you can change the user language using the  sensor.


Language menu

The display can be set to one of several different user languages. This setting allows you to determine how languages can be selected.

International


6 languages are available. The  sensor control is not active. Note the setting *Set languages*.

Language setting

The  sensor control can be used to select a language. All languages are available (factory default).

You can change the order of the first 4 languages. These slots are allocated to the most commonly used languages.

Standard language

The user language cannot be changed. The user language is the same as the supervisor language. The  sensor control is not active.

Set languages

The languages for the setting *Language entry International* can be changed.

32 languages are available. 6 languages can be selected to appear in the language menu display at one time.

If you wish to add a new language to the language menu:

- First select the language you want to replace.

All available languages are displayed.

- Select and confirm the language to replace the previous language.

The new language appears instead of the old one.

Display brightness

The brightness of the display can be altered. The setting depends on the various lighting conditions in the place of installation.

It can be set to one of 10 different levels.

Supervisor level

Clock display

After selecting the clock format, you can set the time of day.

Clock format

- 24 h clock
- 12 h clock
- No clock

Set

- The time can be set.

Date

The date can be set after selecting the date format.

Date format

- DD.MM.YYYY
- YYYY.MM.DD
- MM.DD.YYYY

Date

- The date can be set.

Volume

The volume for various sounds can be changed.

- Finish tone
- Keypad tone
- Welcome tone

It can be set to one of 7 different levels or switched off altogether.

- Fault alarm

The fault alarm can be activated or deactivated.

Visibility parameters

Various parameters, such as the temperature, spin speed, extra options, etc., are displayed when a program is selected. You can decide which parameters should not be displayed. These parameters can then not be edited during program selection.

Factory default: All parameters are visible (marked in orange)

Sort extras

Under the setting *Visibility parameters*, *Sort Extras* appears in the bottom line. Touch the sensor control to change the sequence of extra options (see “Arranging programs” under “Supervisor level”).

Display off status

The display switches off to save energy. The *Start/Stop* sensor control flashes slowly.

Changing this setting leads to increased energy consumption.

Off

The display does not switch off.

On (10 min.) Not curr.prog.

The display will remain on while the program is running but will go out 10 minutes after the end of the program.

Logo (10 min.) Not curr.prog.

The display stays switched on while the program is running. The logo lights up 10 minutes after the end of the program.

On after 10 min.

The display will go out after 10 minutes.

On (30 min.) Not curr.prog.

The display will remain on while the program is running but will go out 30 minutes after the end of the program.

Logo (30 min.) Not curr.prog.

The display stays switched on while the program is running. The logo lights up 30 minutes after the end of the program.

On after 30 min.

The display will go out after 30 minutes.

Machine off status

In order to save energy, the washing machine will switch off automatically after the end of the program or if no further selection is made. You can change this setting.

Changing this setting leads to increased energy consumption.

- No switch off
- Switch off after 15 minutes (factory default)
- Switch off after 20 minutes
- Switch off after 30 minutes

Delay start

The delay start (timer) display can be switched on or off.

Factory default: On

Memory

The washing machine will save the settings (temperature, spin speed, and some of the options) which have been selected for a program after the program has started.

When the program is chosen again, the saved settings will appear on the display.

Factory default: Off

Supervisor level

Temperature unit

You can select the unit for the temperature display.

Factory default: °F

Weight unit

You can decide whether load quantities are displayed in “kg” or “lbs”. You can also switch this information off altogether.

Factory default: lbs

Logo

You can choose whether the “Miele Professional” logo or your own logo appears in the display.

The option `Laundromat Logo` must be selected for the setting `Controls`.

Supervisor code

You can alter the access code to the Supervisor level.

- Enter the current code.
- Enter a new code.

Program selection

Controls

You can select whether the washing machine is operated as a “wash-salon” (laundrette) machine. Shortcuts are the easiest way to operate the machine. Operating staff are unable to change pre-set programs.

Tip: Start by configuring all necessary settings and changes to the washing machine before adjusting any of the options below.

If “Laundromat, basic” or “Laundromat, ext.” are selected, the Supervisor level can no longer be opened from the display after the *Supervisor level* is closed. Please follow the instructions below if you wish to change any other settings.

Opening the Supervisor level (laundromat version)

- Switch on the washing machine and open the door.
- ① Touch the *Start/Stop* sensor control and hold it down whilst carrying out steps ②–③.
- ② Close the washing machine door.
- ③ The *Start/Stop* sensor control will now be flashing quickly; wait until it lights up constantly.
- ④ Release the *Start/Stop* sensor control when the *Start/Stop* sensor control lights up constantly.

Control options

Standard (factory default)

All functions and programs can be displayed.

Laundromat, basic (4 prog)

4 programs are available. Go to **Favorite programs** to select which programs are to be listed.

Laundromat, ext. (12 prog)

12 programs are available. Go to **Favorite programs** to select which programs are to be listed.

External program selection

Programs are selected using a communication module, e.g., an external terminal.

Program packages

The selection of programs can be expanded by activating single programs from the target group program packages.

The programs selected from the program packages (marked in orange) are displayed under program selection.

Favorite programs

You can save up to 12 of your own customized wash programs as Favorites.

The saved programs will be displayed under *Favorites*.

The first 4 programs from the Favorites list are displayed with the control option *Laundromat, basic*.

All programs from the Favorites list are displayed with the control option *Laundromat Logo*.

You can specify the control option under **Controls**.

Tip: You can assign a different color to each program. In this case, the **Program color allocation** setting must be set to *On*.

Changing favorite programs

- Select the program you wish to change or replace.
- Touch the program icon or setting to be changed.

Another menu opens, enabling you to select a new program or change the parameters.

- Touch the **Save** sensor control.

Your selection is now active.

Supervisor level

Special programs

You can put together 5 special programs and save them as your own wash programs with your own program names.

You must have already activated Special programs under *Program packages*.

Enter the name of your special program and its basic settings into the “Special programs” table under the “Program chart”.

- Temperature: You can select a temperature in multiple increments from cold to 194°F (90°C).
- Wash block: You can select one or more wash blocks.
- Spin speed: You can select a spin speed in increments from 600 rpm to 1,400 rpm.

Sort programs

Programs can be moved within the program list and in the Favorites list.

Factory default: Off

Moving programs

- Touch the sensor control for the program you want to move.
- Press and hold the sensor control until the frame changes.
- Drag the program to the required place.

Program color allocation

You can assign a color to a Favorite program. In the list of Favorites, each Favorite program is given a colored frame, which can be adjusted.

Factory default: On

Hygiene

The Maintenance Wash Hygiene program is shown in the list of special programs.

If a program at a temperature below 140°F (60°C) has been used, a request to start the Maintenance Wash Hygiene program appears in the display.

Factory default: Off

Expert code

A code has to be entered to cancel a disinfection program. The code can be modified.

The code is: 0 0 0

Make a note of your new code if you ever change it.

Process technology

Anti-crease

The Anti-crease function helps prevent creasing after the end of the program. At the end of the program, the drum continues to turn for up to 30 minutes.

The door can be opened at any time during the Anti-crease phase.

Factory default: On

Water level Min. iron

You can increase the water level for the main wash in the *Minimum iron* program.

- + 0 mm wc (factory default)
- + 10 mm wc
- + 20 mm wc
- + 30 mm wc

Water level Cottons

You can increase the water level for the main wash in the *Cottons* program.

- + 0 mm wc (factory default)
- + 10 mm wc
- + 20 mm wc
- + 30 mm wc

Pre-wash temp Cottons

You can select the temperature for the pre-wash in the *Cottons* program.

- 86°F (30°C) (factory default)
- 95°F (35°C)
- 104°F (40°C)
- 113°F (45°C)

Wash time

Cottons pre-wash

You can increase the duration for the pre-wash in the *Cottons* program.

- + 0 min (factory default)
- + 6 min
- + 9 min
- + 12 min

Cottons

You can increase the duration for the main wash in the *Cottons* program.

- + 0 min (factory default)
- + 10 min
- + 20 min
- + 30 min
- + 40 min

Supervisor level

Minimum iron

You can increase the duration for the main wash in the *Minimum iron* program.

- + 0 min (factory default)
- + 5 min
- + 10 min
- + 15 min
- + 20 min

Pre-rinse Cottons

A pre-rinse can be activated in the *Cottons* program.

Factory default: Off

Pre-rinse Minimum iron

A pre-rinse can be activated in the *Minimum iron* program.

Factory default: Off

Pre-wash Cotton/M-iron

In the programs *Cottons* and *Minimum iron*, you can choose whether a pre-wash is permanently activated or whether it can be selected during program selection.

Factory default: Menu selection

Cottons rinses

You can alter the number of rinses carried out in the *Cottons* program.

- 2 rinses (factory default)
- 3 rinses
- 4 rinses
- 5 rinses

Minimum iron rinses

You can alter the number of rinses carried out in the *Minimum iron* program.

- 2 rinses (factory default)
- 3 rinses
- 4 rinses

Disinfection rinse

Additional rinses can be activated in disinfection programs with a temperature of at least 140°F (60°C).

Rinsing is carried out with hot water. The program cycle time is longer.

The laundry may feel hot at the end of the program.
Take care when removing items.

Factory default: Off

Auto load control

This washing machine comes with automatic load control. In some programs, the water levels and the program cycle times are adapted to the load.

If the automatic load control is deactivated, the machine will always carry out the program sequence based on a full load.

Factory default: On

Controlled energy cons.

With this option selected, the machine will optimize the energy it uses in the *Whites*, *Cottons*, and *Minimum iron* programs.

Factory default: On

Service

Clean drain pump (LP)

The user sees a message when the drain pump filter has to be cleaned.

The message is displayed every 500 operating hours.

The message appears at the end of the program.

Factory default: Off

Service interval

Service information can appear in the display. You can configure whether a date or the number of operating hours is displayed.

You can select up to 3 messages with their own text.

Your message is displayed at the end of the program and can be acknowledged with *OK*. The same message appears at the end of the next program.

Settings

This setting allows you to determine the interval (by hours or date) at which the message appears.

- Factory default: Off
- By time
You can then select a time interval from 1–9999 hours.
- By date
You can then enter a date.

Message text

Enter your message for your planned maintenance work.

Resetting the display

The message appears until the display is permanently reset. The message then appears again once the next interval is reached.

Supervisor level

External applications

Empty sensor

External hardware is connected via the Miele XCI Box.

A siphon contact can be used to detect whether external detergent containers are empty. A message appears if a container is empty.

- Off (factory default)
- Normally open contact

The siphons are equipped with a normally open contact.

- Normally closed contact

The siphons are equipped with a normally closed contact.

Early warning counter

External hardware is connected via the Miele XCI Box.

An internal counter reports when an external dispenser container is almost empty. The counter in question then has to be reset.

Peak load signal

External hardware is connected via the Miele XCI Box.

The peak-load negotiation function enables the washing machine to be connected to an energy management system. When a signal is registered, the washing machine's heater is switched off for a short period.

The washing machine may only be operated with a peak-load system if this system is connected to the washing machine via the Miele XCI box.

- No function (factory default)
- Peak load with 230 V
- Peak load with 0 V

Peak load prevention

The peak-load negotiation function can be deactivated with disinfection programs. When a signal is registered, the washing machine's heater is not switched off.

Factory default: Off

Select KOM module

This washing machine is equipped with an integrated WiFi module. However, the washing machine can also be equipped with an external module.

- Off
- Internal module (factory default)
The internal WiFi module is used.
- External module
An XKM module or RS232 module is inserted into the module slot.

WiFi

Control the networking of your washing machine.

- Setup
This message only appears if the washing machine has not yet been connected to a WiFi network.
- Deactivate (visible when the network is activated)
The network remains set up; the WiFi function is switched off.
- Activate (visible if the network is deactivated)
The WiFi function is reactivated.
- Connection status (visible when the network is activated)
 - The quality of WiFi reception
 - The network name
 - The IP address
- Set up again (visible if already set up)

Resets the WiFi login (network) to immediately re-establish a new connection.

- Reset (visible if already set up)
The network is no longer set up. A new connection has to be established in order to use the network again.
 - The WiFi is switched off
 - The WiFi connection will be reset to the factory default

Network time

The date and time can be synchronized over the network.

- Off
The date and time are not synchronized over the network.
- As master
The machines are in a network but are not connected to the Internet. A machine is declared as the master and sends data to the *slave* appliances.
- As slave
The machines are in a network and are connected to the Internet. All machines are configured as *slaves*. Data is synchronized over the Internet.

Supervisor level

Remote

Programs are selected on an external terminal.

Factory default: On

RemoteUpdate

The RemoteUpdate function updates the software in your washing machine.

The RemoteUpdate function is deactivated as standard.

If you do not install a RemoteUpdate, you can continue to use your washing machine in the usual way. However, Miele recommends installing RemoteUpdates.

Activation

The RemoteUpdate menu option is only displayed and can only be selected if you have added your washing machine to your WiFi network.

Miele's RemoteUpdate function can only be used if the washing machine is connected to a WiFi network and you have an account in the Miele Professional app. The washing machine must be registered with your account in the app.

See the Miele Professional app for terms and conditions of use.

Some software updates can only be carried out by Miele Technical Service.

Running a RemoteUpdate

If a RemoteUpdate is available for your washing machine, it will be displayed automatically when the Supervisor level is open.

You can choose to start the RemoteUpdate immediately or wait until later. If you select "Start later", the prompt to run the RemoteUpdate will be displayed again the next time you switch on your washing machine.

The RemoteUpdate can take a few minutes.

Please note the following information about the RemoteUpdate function:

- You will only receive a message when a RemoteUpdate is available.
- Once a RemoteUpdate has been installed, it cannot be undone.
- Do not switch off the washing machine during a RemoteUpdate. Otherwise, the RemoteUpdate will be aborted and will not be installed.

SmartGrid

The SmartGrid setting is only visible if a WiFi network has been set up and activated. This function can be used for starting your tumble dryer automatically at a time when your energy supplier's energy costs are most economical.

Activating SmartGrid gives the timer sensor control a new function. Use the "Timer" sensor control to configure SmartStart. The washing machine will then start within the timeframe specified by you when it receives a signal from your energy supplier. If a signal has not been received from the energy supplier by the latest start time set, the washing machine will start automatically.

Factory default: Off

Machine parameters

Suds cooling

Additional water flows into the drum at the end of the main wash to cool the suds down.

Suds cooling takes place when a program with a temperature of 158°F (70°C) or higher is selected.

Suds cooling should be activated:

- To prevent the danger of scalding if the drain hose is hooked over the edge of a sink or basin.
- Where the drainage pipes do not comply with DIN 1986.

Factory default: On

Water intake

Pre-wash

You can select the water type for the pre-wash.

- Cold
Only cold water is used for the pre-wash.
- Hot
Hot water is also added for the pre-wash.
Hot water can only be added if the wash temperature is above 86°F (30°C).

Main wash

You can select the water type for the main wash.

- Cold

Supervisor level

Only cold water is used for the main wash.

- Hot

Hot water is also added for the main wash.

Hot water can only be added if the wash temperature is above 86°F (30°C).

Program cycle times will be longer if the machine is not connected for hot water; this may mean that the “Time left” display is incorrect.

First rinse

You can select the water type for the first rinse in some programs.

- Cold (factory default)

Only cold water is used for the first rinse.

- Hot

Hot water is also added for the first rinse.

Final rinse

You can select the water type for the last rinse in some programs.

- Cold (factory default)

Only cold water is used for the final rinse.

- Hot

Hot water is also added for the final rinse (only possible for programs with a temperature of at least 140°F/60°C).

Low water pressure

If the water pressure is below 100 kPa (1 bar), the program will be canceled and the fault message **Check water intake** will appear.

If the on-site water pressure cannot be increased, activating the setting **Low water pressure** will prevent the program from being canceled.

Factory default: No

Automatic dispensing

Automatic dispensing via an external dispensing system can be activated

Factory default: Off

CapDosing

You can choose whether **CapDosing** is displayed in the program settings.

Factory default: On

Legal Information

Open Source Licenses

You can view information here.

Copyrights and licenses for operator and control software

Miele uses their own and third party software which is not subject to any so-called open source license for the operation and control of the machine. This software/these software components are protected by copyright. The copyright powers of Miele and third parties have to be respected.

Furthermore, this machine contains software components which are distributed under open source license conditions. Please refer to the menu item Settings | Machine parameters | Legal information | Open source licenses in the machine for the Open Source components contained therein, together with the corresponding copyright notices, copies of the licensing conditions valid at the time, and any further information. The liability and warranty provisions of the open source licensing conditions as stated therein apply only in relation to the respective rights holders.

Payment system

External hardware is connected via the Miele XCI Box.

If you wish to change the settings after the commissioning process, please contact Miele Technical Service.

Settings for payment systems

You would like to connect a payment system.

- No payment system
The next settings are skipped and initial commissioning can be completed.
- Program operation
The machine is operated using a coin box. The user purchases a wash program.
- Timed operation
The machine is operated using a coin box. The user purchases a time-controlled program.
- Timed operation with pulse counter
For payment systems where the usage time is increased each time a coin is inserted.
- COM module
The machine is operated by a central control unit.

Supervisor level

Feedback sig. to pay system

Setting the feedback signal for the coin box.

- Factory default: Off
- End of program

The feedback signal is sent at the end of the program.

- Release of the start button

The feedback signal is sent when the start button is released.

- Start and end of program

The feedback signal is sent at the start and end of the program.

- Program running

The feedback signal is sent constantly between the start and end of the program.

Clear paid signal

The “Paid” signal in coin-box mode can be applied until the end of the program or discarded if the program is not started after 5 minutes.

Factory default: Off

Payment system lock

To avoid tampering, a program lock can be set up in program operation. If the lock is applied, the program is interrupted and payment credit is lost as soon as the door is opened.

The time for the lock can be adjusted to prevent laundry being added.

- Off
- As soon as the program starts
- 1 minute after the start of the program
- 2 minutes after the start of the program
- 3 minutes after the start of the program (factory default)
- 4 minutes after the start of the program
- 5 minutes after the start of the program

FOC programs

In coin-box mode, you can decide whether the Drain/Spin program can be used for free.

Factory default: Off

**Please have the model and serial number
of your machine available when
contacting Technical Service.**

U.S.A.

Miele, Inc.

National Headquarters

9 Independence Way

Princeton, NJ 08540

Phone: 800-991-9380

www.mieleusa.com/professional

prosales@mieleusa.com

Technical Service & Support

Phone: 800-991-9380

proservice@mieleusa.com



Miele & Cie. KG

Carl-Miele-Straße 29, 33332 Gütersloh, Germany

PWM 908

en-US

M.-Nr. 11 213 060 / 02