



BOSCH

Register your
appliance and join
the Bosch
family of perks:
[bosch-home.com/us/
mybosch](https://bosch-home.com/us/mybosch)



Tumble dryer

WQB245B0UC

[en-us] User manual and installation
instructions

Further information and explanations are available online:



Table of contents

1 Safety	4	11.7 Adding laundry	22
1.1 Safety definitions.....	4	11.8 Terminating the program	22
1.2 General information.....	4	11.9 Removing the laundry	22
1.3 Intended use	4	11.10 Put the appliance into standby mode.....	22
1.4 Restrictive Use.....	4	11.11 Lint screen.....	22
1.5 Safe installation.....	4	11.12 Condensation container	24
1.6 Safe use.....	5	12 Dryness level	25
1.7 Safe cleaning and maintenance	6	12.1 Changing the dryness level	25
1.8 State of California Proposition 65 Warnings	7	12.2 Adjusting the dryness level.....	25
2 Preventing material damage	8	13 Control panel lock	25
3 Environmental protection and energy-saving	8	13.1 Activating the control panel lock	25
3.1 Disposal of packaging	8	13.2 Deactivating the control panel lock.....	25
3.2 Saving energy	8	14 Home Connect	25
3.3 Energy-saving mode	8	14.1 Setting up the Home Connect app.....	25
4 Installation and connection	8	14.2 Setting up Home Connect	26
4.1 Unpacking the appliance	8	14.3 Home Connect menu	26
4.2 Included in delivery	9	14.4 Activating Wi-Fi on the appliance	26
4.3 Requirements for the installation location.....	9	14.5 Deactivating Wi-Fi on the appliance	26
4.4 Water drain hose.....	9	14.6 Resetting the appliance network settings	26
4.5 Connecting the condensation container	10	14.7 Remote start.....	26
4.6 Aligning the appliance	11	14.8 Intelligent program recommendation	26
4.7 Reversing the door.....	11	14.9 Remote diagnostics.....	26
4.8 Connecting the appliance to the electricity supply ...	13	14.10 Data Protection	27
5 Familiarizing yourself with your appliance	15	15 Basic settings	27
5.1 Appliance	15	15.1 Overview of the basic settings.....	27
5.2 Control panel.....	16	15.2 Changing the basic settings	27
5.3 Operating logic.....	16	16 Appliance care	27
6 Display	17	16.1 Preparing for the appliance care program	27
7 Buttons	18	16.2 Calling up the appliance care program	28
8 Programs	19	16.3 Running the basic appliance care program	28
8.1 Automatic programs	19	16.4 Running the intensive appliance care program.....	28
8.2 Timed programs.....	20	17 Cleaning and maintenance	29
9 Accessories	21	17.1 Tips on cleaning and care	29
10 Laundry	21	17.2 Moisture sensor.....	29
10.1 Preparing the laundry	21	17.3 Condensation container filter	29
11 Basic Operation	21	18 Troubleshooting	31
11.1 Switching on the appliance.....	21	19 Transportation, storage and disposal	34
11.2 Setting a program	21	19.1 Preparing the appliance for transportation.....	34
11.3 Adjusting the program settings	22	19.2 Disposal of your old appliance.....	34
11.4 Saving the program settings.....	22	20 Customer Service	34
11.5 Loading laundry	22	20.1 Model number (E-Nr.), production number (FD)	
11.6 Starting the program	22	and consecutive numbering (Z-Nr.)	34

21 Technical specifications..... 35



IMPORTANT SAFETY INSTRUCTIONS

READ AND SAVE THESE INSTRUCTIONS

Read all of the instructions carefully before using the appliance. In order to reduce the risk of fire, electric shocks and personal injuries when using the appliance, follow the basic safety precautions, including the following safety instructions.

1.1 Safety definitions

Here you can find explanations of the safety signal words used in this manual.

1.2 General information



- Read this manual carefully.
- Keep the manual and the product information in a safe place for future reference or for the next owner.
- Do not connect the appliance if it has been damaged in transit.

1.3 Intended use

Only a licensed professional may connect appliances without plugs. The manufacturer is not responsible for damage caused by incorrect connections. An incorrect connection is not covered by the Statement of Limited Product Warranty.

Only use this appliance:

- For drying and freshening up fabrics that are washed with water and suitable for dryers.
- for normal household use and in enclosed spaces in a residential environment.
- up to an altitude of max. 13,100 ft (4000 m) above sea level.

1.4 Restrictive Use

This appliance is not intended for use by persons (including children) with reduced physical, sensory or mental capabilities, or lack of experience and knowledge, unless they have been given supervision or instruction concerning use of the appliance by a person responsible for their safety.

Do not let children play with the appliance.

WARNING

This indicates that death or serious injuries may occur as a result of non-observance of this warning.

CAUTION

This indicates that minor or moderate injuries may occur as a result of non-observance of this warning.

NOTICE:

This indicates that damage to the appliance or property may occur as a result of non-compliance with this advisory.

Note: This alerts you to important information and/or tips.

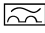
Cleaning and user maintenance must not be performed by children unless they are being supervised.

Keep children under the age of 3 and pets away from the appliance.

1.5 Safe installation

WARNING

Incorrect installation is dangerous.

- ▶ Connect and operate the appliance only in accordance with the specifications on the rating plate.
- ▶ Connect the appliance to a power supply with alternating current only via a correctly installed socket outlet with grounding.
- ▶ The protective conductor system of the domestic electrical installation must be properly installed. The installation must have a sufficiently large cable cross-section.
- ▶ When using a residual current circuit breaker, only use a type with the  mark.
- ▶ Never equip the appliance with an external switching device, e.g. a timer or remote control.
- ▶ Never connect the appliance to a circuit that is regularly switched on and off by the energy supplier.
- ▶ When the appliance is installed, the power plug of the power cord must be freely accessible. If free access is not possible, an all-pole isolating switch must be integrated in the permanent electrical installation according to the installation regulations.



IMPORTANT SAFETY INSTRUCTIONS

READ AND SAVE THESE INSTRUCTIONS

- ▶ When installing the appliance, check that the power cord is not trapped or damaged.

If the insulation of the power cord is damaged, that can be dangerous.

- ▶ Never let the power cord come into contact with hot appliance parts or heat sources.
- ▶ Never let the power cord come into contact with sharp points or edges.
- ▶ Never kink, crush or modify the power cord.

WARNING

It is dangerous to use an extended power cord and non-approved adapters.

- ▶ Do not use extension cords or multiple socket strips.
- ▶ Only use adapters and power cords approved by the manufacturer.
- ▶ If the power cord is too short and a longer one is not available, please contact an electrician to have the domestic installation adapted.

WARNING

The high weight of the appliance may result in injury when lifted.

- ▶ Do not lift the appliance on your own.
- If this appliance is not correctly installed in a washer-dryer stack, the installed appliance may fall.
- ▶ Only stack the dryer on a washing machine using the connection kit from the dryer manufacturer → *"Accessories", Page 21*. No other installation method is permitted.
 - ▶ Do not install the appliance in a washer-dryer stack if the dryer manufacturer does not offer a suitable connection kit.
 - ▶ Do not install appliances from different manufacturers and with varying depths and widths in a washer-dryer stack.
 - ▶ Do not install a washer-dryer stack on a platform; the appliances may tip over.

WARNING

Children may pull packaging material over their heads, or wrap themselves up in it and suffocate.

- ▶ Keep packaging material away from children.
- ▶ Do not allow children to play with packaging material.

CAUTION

The appliance may vibrate or move when in use.

- ▶ Place the appliance on a clean, even, solid surface.

- ▶ Align the appliance using the appliance feet and a spirit level.

If hoses and power cords have been laid incorrectly, this causes a tripping hazard.

- ▶ Lay hoses and power cords in such a way that there is no risk of tripping.

If the appliance is moved by holding onto protruding components, such as the appliance door, the parts may break off.

- ▶ Do not move the appliance by holding onto protruding parts.

CAUTION

Touching sharp edges on the appliance may lead to cuts.

- ▶ Do not touch the sharp edges on the appliance.
- ▶ Wear protective gloves when installing and transporting the appliance.

1.6 Safe use

WARNING

If the appliance or the power cord is damaged, this is dangerous.

- ▶ Never operate a damaged appliance.
- ▶ Never pull on the power cord to unplug the appliance. Always unplug the appliance at the power outlet.
- ▶ If the appliance or the power cord is damaged, immediately unplug the power cord or switch off the breaker in the circuit breaker box.
- ▶ Call Customer Service. → *Page 34*

Moisture intrusion may cause an electric shock.

- ▶ Use the appliance in enclosed spaces only.
- ▶ Never expose the appliance to intense heat or humidity.
- ▶ Do not use steam cleaners, high-pressure cleaners, hoses or sprays to clean the appliance.

WARNING

Children can lock themselves in the appliance, thereby putting their lives at risk.

- ▶ Do not install the appliance behind a door as this may obstruct the appliance door or prevent it from opening.
- ▶ With redundant appliances, pull out the mains plug of the power cord, cut through the power cord and remove the appliance door.

WARNING

Children may breathe in or swallow small parts, causing them to suffocate.

- ▶ Keep small parts away from children.



IMPORTANT SAFETY INSTRUCTIONS

READ AND SAVE THESE INSTRUCTIONS

- ▶ Do not allow children to play with small parts.

WARNING

If there is coal dust or flour in the air around the appliance, this may cause an explosion.

- ▶ Keep the area around the appliance clean during operation.

WARNING

Condensation water from this appliance is not suitable for drinking and may be contaminated with lint.

- ▶ Do not drink or reuse the condensation water from the appliance.

Detergents and care products may result in poisoning if consumed.

- ▶ If accidentally swallowed, seek medical advice.
- ▶ Keep detergents and care products out of the reach of children.

WARNING

The refrigerant R290 in this appliance is environmentally friendly yet combustible and may ignite if it comes into contact with open flames or ignition sources.

- ▶ Keep naked flames and ignition sources away from the



appliance.

WARNING

If there is any residual material left in the lint screen, this may ignite during the drying process.

- ▶ Clean the lint screen regularly.
- Highly flammable objects such as lighters or matches may ignite during the drying process.

- ▶ Remove all highly flammable objects from any pockets in your laundry before the drying process.

Unwashed laundry that has come into contact with solvents, oil, wax, wax remover, paint, grease or stain remover may ignite when drying is in progress.

- ▶ Do not place laundry in this appliance to be dried if the laundry has not been washed first.
- ▶ Rinse the laundry thoroughly with warm water and detergent before drying it in the machine.
- ▶ Do not use the appliance if industrial chemicals have been used to clean the laundry beforehand.

WARNING

If drying is interrupted early, the laundry is not cooled sufficiently and may ignite.

- ▶ Do not interrupt the drying programme early.

- ▶ If drying is interrupted early, remove the laundry immediately and spread it out.

CAUTION

The covering plate may break if you stand on or climb onto the appliance.

- ▶ Do not stand on or climb onto the appliance.
- The appliance may tip over if you sit on or lean against the open door.
- ▶ Do not sit on or lean against the appliance door.
 - ▶ Do not place any objects on the appliance door.
- Reaching into the drum while it is still turning may cause hand injuries.
- ▶ Wait for the drum to come to a complete stop before reaching inside.

1.7 Safe cleaning and maintenance

WARNING

Improper repairs are dangerous.

- ▶ Never make any technical modifications to the appliance or its features.
 - ▶ Do not tamper with controls.
 - ▶ Repairs to the appliance should only be performed by authorized service providers.
 - ▶ Only original spare parts may be used to repair the appliance.
 - ▶ If the power cord of this appliance becomes damaged, it must be replaced by the manufacturer, the manufacturer's Customer Service, or an authorized service provider in order to prevent injury.
- Moisture intrusion may cause an electric shock.
- ▶ Before cleaning, pull out the power plug or switch off the circuit breaker in the circuit breaker box.
 - ▶ Do not use steam cleaners, high-pressure cleaners, hoses or sprays to clean the appliance.

WARNING

The use of non-original spare parts and non-original accessories is dangerous.

- ▶ Only use the manufacturer's original spare parts and original accessories.

WARNING

Poisonous fumes may be given off if you use cleaning agents that contain solvents.

- ▶ Do not use cleaning agents that contain solvents.



IMPORTANT SAFETY INSTRUCTIONS

READ AND SAVE THESE INSTRUCTIONS

1.8 State of California Proposition 65 Warnings

This product may contain a chemical known to the State of California, which can cause cancer or reproductive harm. Therefore, the packaging of your product may bear the following label as required by California:

STATE OF CALIFORNIA PROPOSITION 65 WARNING:

 **WARNING**

Cancer and Reproductive Harm - www.P65Warnings.ca.gov

2 Preventing material damage

NOTICE:

The functionality of the appliance may be impaired if you use the wrong quantity of fabric softener, detergent, care product or cleaning agent.

- ▶ Follow the dosage recommendations from the manufacturer.
- ▶ Only use fabric softeners or products to eliminate static that are specifically recommended for this purpose by the product manufacturer.

Exceeding the maximum load capacity impairs the function of the appliance.

- ▶ Observe the maximum load capacity for each programme and do not exceed it.

→ *"Programs", Page 19*

The function of the appliance may be impaired if the appliance overheats.

- ▶ Keep the ventilation opening on the appliance clear during operation.
- ▶ Make sure that the area is adequately ventilated.

Light objects such as hair and lint may be sucked in from the ventilation opening on the appliance during operation and impair the function of the appliance.

- ▶ Keep the area around the appliance clean during operation.
- ▶ Keep light objects away from the appliance.

If you operate the appliance without a lint guard (e.g. lint screen, lint collector, filter mat, etc., depending on appliance specifications), or if the lint guard is incomplete or defective, this may result in damage to the appliance.

- ▶ Do not operate the appliance without a lint guard, or with a lint guard that is incomplete or defective.

Foam or foam rubber may deform or melt during the drying process.

- ▶ Do not dry laundry that contains foam or foam rubber.

Unsuitable cleaning agents may damage the surfaces of the appliance.

- ▶ Do not use strong or abrasive cleaning agents.
- ▶ Do not use cleaning agents with a high alcohol content.
- ▶ Do not use hard scouring pads or cleaning sponges.
- ▶ Clean the appliance with nothing but water and a soft, damp cloth.
- ▶ Remove all detergent residue, spray residue or other residues immediately if they come into contact with the appliance.

3 Environmental protection and energy-saving

3.1 Disposal of packaging

The packaging materials are environmentally compatible and can be recycled.

- ▶ Sort the individual components by type and dispose of them separately.

3.2 Saving energy

If you follow these instructions, your appliance will use less power.

Operate the appliance in a well-ventilated room and keep the ventilation opening on the appliance clear.

- ✓ If air exchange is impeded, this extends the program duration and increases energy consumption.

Spin the laundry in the washing machine before drying.

- ✓ Damper laundry extends the program duration and increases energy consumption.

Observe the program's maximum load capacity.

→ *"Programs", Page 19*

- ✓ If the maximum load is exceeded, this extends the program duration and increases energy consumption.

After drying, clean the lint screen → *Page 22*.

- ✓ If the lint screen is dirty, this reduces the air flow in the appliance, extends the program duration, and increases energy consumption.

Deactivate Wi-Fi on the appliance if it is not being used.

→ *"Deactivating Wi-Fi on the appliance", Page 26*.

- ✓ If the Wi-Fi is activated, this increases energy consumption.

3.3 Energy-saving mode

If you do not use the appliance for an extended period, it automatically switches to energy-saving mode. All displays go out and ▷ flashes.

Energy-saving mode ends when you use the appliance again.

If you do not continue operating the appliance, it automatically switches to standby mode.

4 Installation and connection

4.1 Unpacking the appliance

NOTICE:

Objects remaining in the drum that are not designed for operation with the appliance may cause material damage and damage to the appliance.

- ▶ Remove these objects, along with all supplied accessories, from the drum before starting the appliance.

1. Remove any packaging and protective covers completely from the appliance.

→ *"Disposal of packaging", Page 8*

2. Check the appliance for visible damage.
3. Open the door.
4. Remove any accessories from the drum.

- Close the door.

4.2 Included in delivery

After unpacking all the parts, check for any damage in transit and for completeness of delivery.

NOTICE:

If the appliance is operated with incomplete or defective accessories, the appliance may not be able to operate properly, or this may result in material damage and damage to the appliance.

- ▶ Do not operate the appliance with incomplete or defective accessories.
- ▶ Replace the accessories in question before operating the appliance.
→ "Accessories", Page 21

The delivery consists of the following:

- Tumble dryer
- Accompanying documents
- Water outlet hose with connection adapter, fixing material, and elbow.
→ "Water drain hose", Page 9
- Stopper
→ "Connecting the condensation container", Page 10
- Condensation hose
→ "Connecting the condensation container", Page 10
- Power adapter with fuses

4.3 Requirements for the installation location

NOTICE:

If the appliance is tilted at an angle greater than 40°, residual water may leak out of the appliance and cause material damage.

- ▶ Tilt the appliance carefully.
 - ▶ Transport the appliance in an upright position.
- If residual water in the appliance freezes, this may cause damage to the appliance.

- ▶ Do not install or operate this appliance anywhere that is liable to experience frost and/or outdoors.

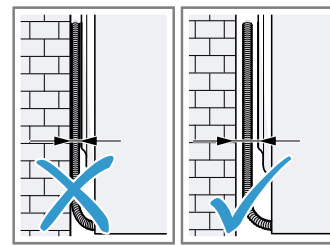
If the appliance is operated immediately after transportation, the refrigerant contained in the appliance may cause damage to the appliance.

- ▶ Immediately after transporting the appliance, leave it to rest for two hours before putting it into operation.

Installation location	Requirements
On the floor	Place the appliance on a clean, level, and firm surface. Align the appliance → Page 11.

Installation location	Requirements
In a washer-dryer stack	Only use the original connection set from the dryer manufacturer when setting up this appliance in a washer-dryer stack. <ul style="list-style-type: none"> ■ Connection kit → Page 21 <p>This appliance must only be stacked on a washing machine from the same manufacturer. The depth and width of this appliance must correspond with the dimensions of the washing machine. Do not place the washer-dryer stack on a platform.</p>

Against a wall



Do not trap the hoses and power cord between the wall and the appliance.

4.4 Water drain hose

Condensation that forms in the appliance as it dries the laundry is drained by default into the waste water system using the water outlet hose.

Note

- Operate this appliance using the water outlet hose provided.
→ "Connecting the water outlet hose", Page 9
If you connect the water outlet hose, you do not have to regularly empty the condensation container.
→ "Emptying the condensation container", Page 24

Connecting the water outlet hose

NOTICE:

When operating the appliance without the water drain hose being connected properly, liquid may leak out of the connecting piece.

- ▶ Before operating the appliance, connect the water drain hose properly to the connecting piece.

Requirements

- The appliance and the accessory have been unpacked.
→ "Unpacking the appliance", Page 8
- The appliance is installed at the installation location.
→ "Requirements for the installation location", Page 9
- The water outlet hose is connected to the appliance.
- ▶ Connect the appliance to the water outlet.
→ "Water drain connection types", Page 10

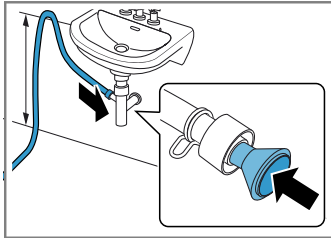
Water drain connection types

NOTICE:

In the event of a blocked or covered outlet, accumulated wastewater can flow back into the appliance.

- ▶ Before operating the appliance, ensure that the wastewater drains away quickly and eliminate any blockages.

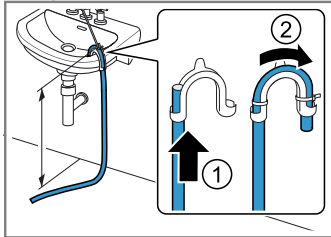
Drainage into a siphon.



Secure the connection point with a (1/2"-7/8" (12-22 mm)) hose clamp. Secure the water drain hose with a hose guide at a height of at least 31 1/2" (80 cm) and no more than 39 3/8" (100 cm).

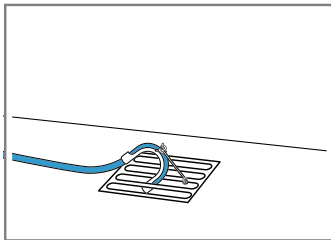
Note: You can use the Y-distributor → Page 21 to connect the water drain hose of an additional appliance, such as a washing machine, to the same siphon outlet.

Drainage into a washbasin.



Push the water drain hose fully through the elbow and secure it using fixing material. Secure the elbow at a height of no more than 39 3/8" (100 cm).

Drainage into a gully.



Push the water drain hose fully through the elbow and secure it using fixing material. Secure the elbow to the gully.

4.5 Connecting the condensation container

During the drying cycle, condensation forms; you can use the water outlet hose to drain away this condensation directly into the waste water system. If this is not possible at the appliance's installation location, connect the condensation container.

Note: Operate this appliance using the water outlet hose provided.

→ "Connecting the water outlet hose", Page 9

If you connect the water outlet hose, you do not have to regularly empty the condensation container.

→ "Emptying the condensation container", Page 24

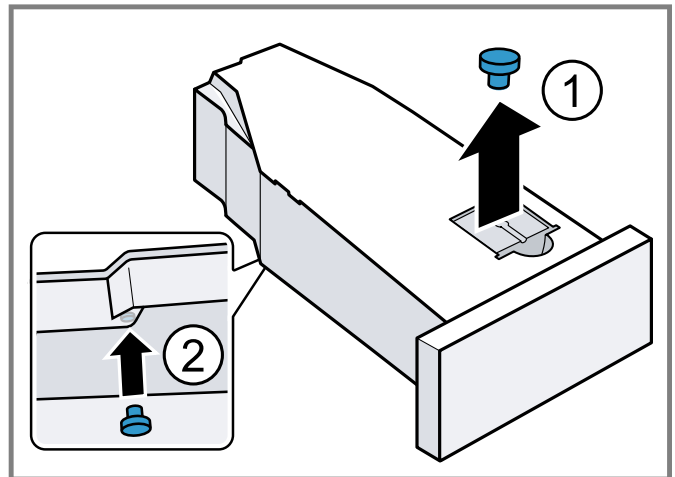
NOTICE:

When operating the appliance without the water drain hose being connected properly, liquid may leak out of the connecting piece.

- ▶ Before operating the appliance, connect the water drain hose properly to the connecting piece.

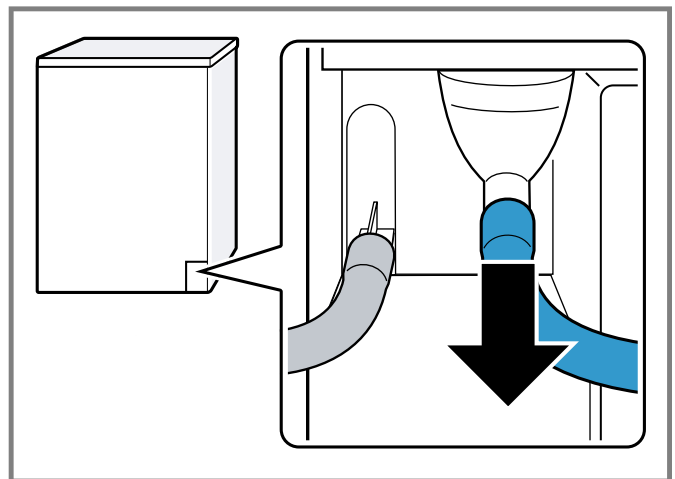
Requirements

- The appliance and the accessory have been unpacked. → "Unpacking the appliance", Page 8
 - The appliance is installed at the installation location. → "Requirements for the installation location", Page 9
1. Empty the condensation container. → "Emptying the condensation container", Page 24
 2. Remove the stopper from the recess in the top ① and insert it in the underside ②.



When the appliance is delivered, the stopper is included as an accessory in the scope of delivery.

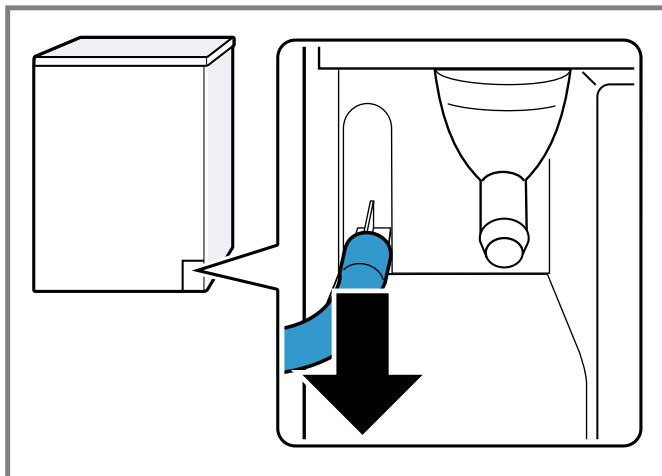
3. Insert the condensation container. → "Inserting the condensation container", Page 25
4. Pull the water outlet hose out of the connecting piece.



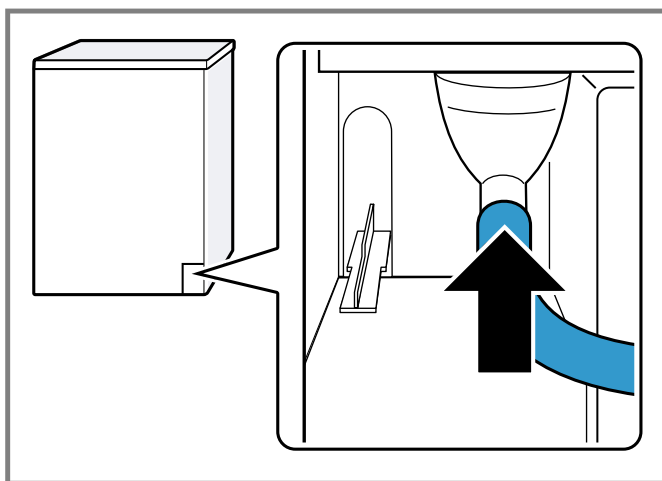
The water outlet hose is connected to the connecting piece at the factory.

Note: When removing the water outlet hose, liquid may leak out of the hose or connecting piece. Do not dispose of or kink the water outlet hose; instead, store it in a clean, dry place for later use.

5. Pull the condensation hose out of the holder.



6. Push the condensation hose as far as it will go onto the connecting piece.

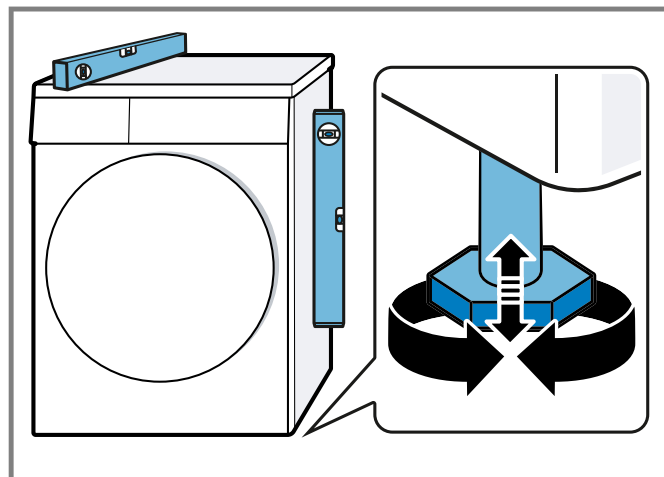


Tip: To go back to using the water outlet hose to drain the condensation into the waste water system (e.g. if you change where the appliance is located), carry out these steps in reverse order.

4.6 Aligning the appliance

In order to reduce noise and vibrations, align the appliance correctly.

- ▶ To align the appliance, turn the appliance feet. Check that the appliance is level using a spirit level.



All appliance feet must stand firmly on the ground.

4.7 Reversing the door

To make it easier to place and remove laundry in the drum, you can change the side on which the door is hinged.

⚠ CAUTION

Touching sharp edges on the appliance may lead to cuts.

- ▶ Do not touch the sharp edges on the appliance.
- ▶ Wear protective gloves when installing and transporting the appliance.

Notes

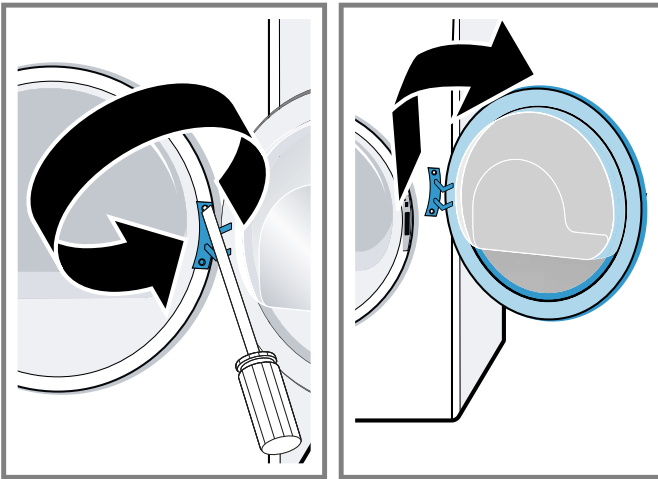
- Only use a Torx T15 screwdriver and a Torx T20 screwdriver to remove and insert screws.
- To prevent material damage, lay the removed door on a level and soft surface.

Removing the door

Requirement: The appliance is disconnected from the mains.

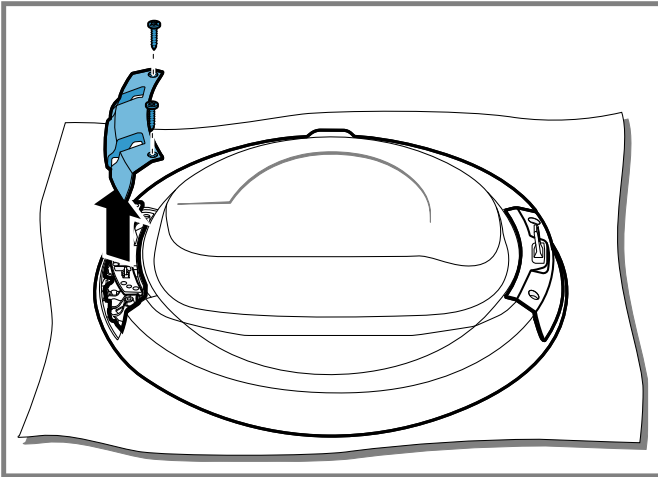
1. Open the door.

2. Unscrew the door.

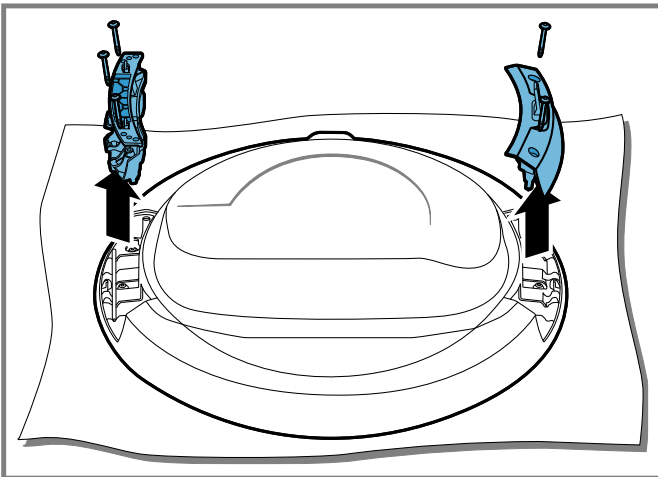


Changing the door hinge and door hook

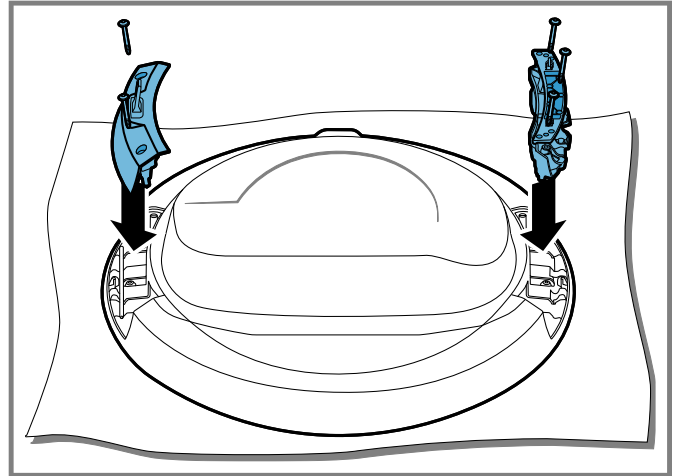
1. Unscrew the door hinge cover.



2. Unscrew the door hinge and the door hook.

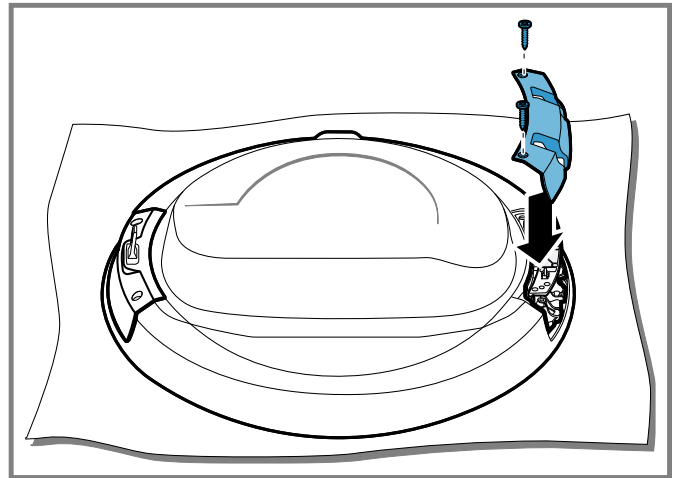


3. Screw the door hinge and the door hook onto the opposite sides.



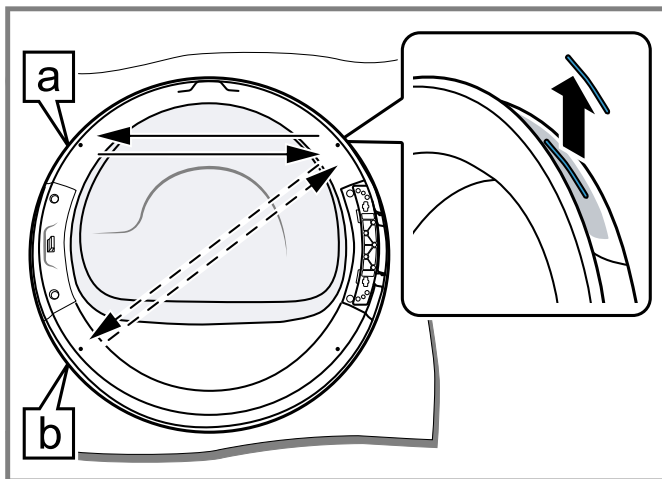
When you do this, ensure that the door seal is not trapped or damaged.

4. Screw on the door hinge cover.



When you do this, ensure that the door seal is not trapped or damaged.

- Remove the color door handle indicator and swap it with the cover on the opposite side.

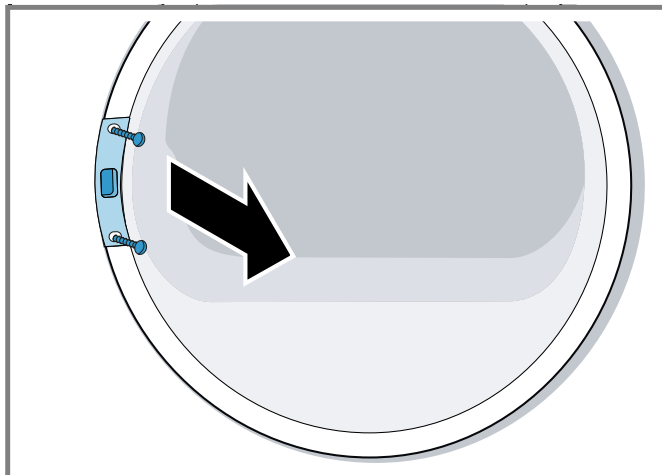


Select the position of the door handle indicator based on the appliance's installation location:

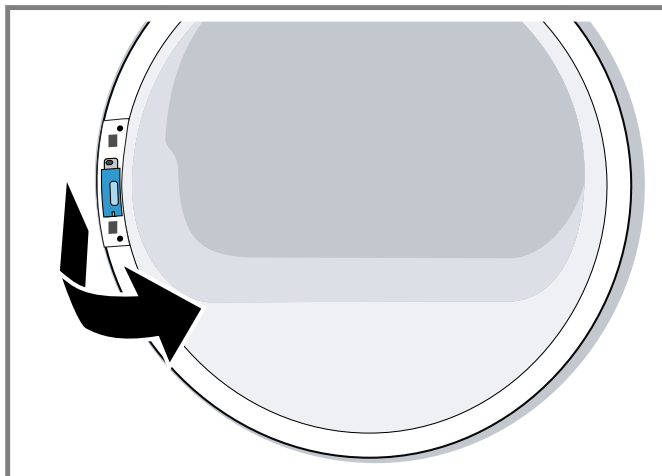
- [a] The appliance is installed on the floor.
- [b] The unit is installed in a raised position in a washer-dryer stack.

Changing the door lock

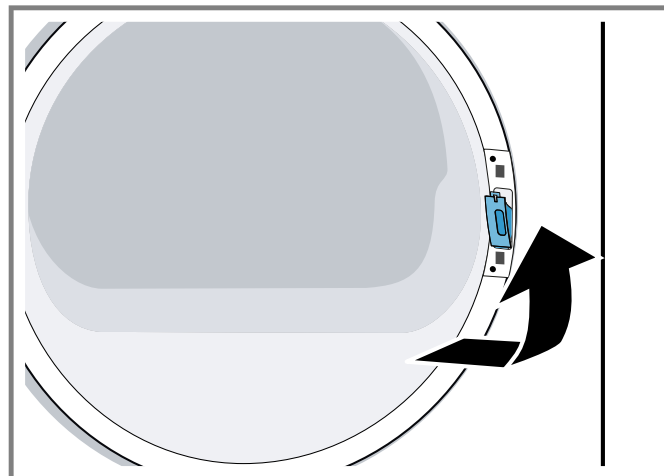
- Unscrew the door lock cover.



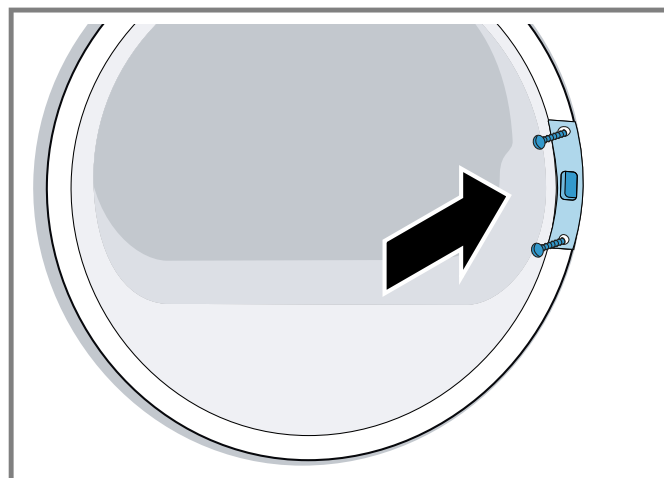
- Remove the door lock.



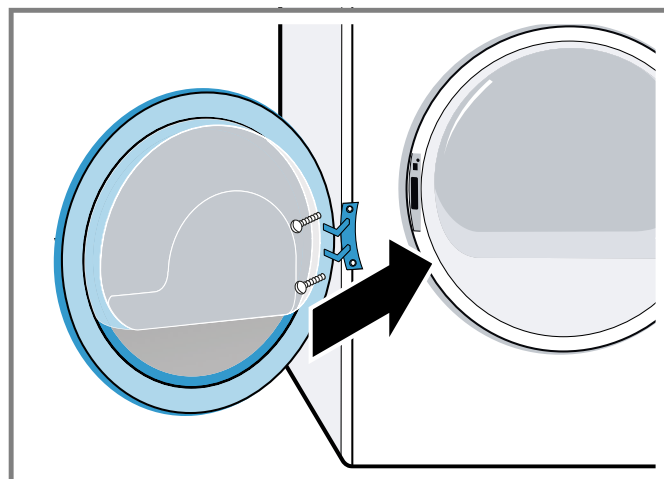
- Insert the door lock on the opposite side.



- Screw on the door lock cover.



- Screw on the door.



4.8 Connecting the appliance to the electricity supply

- Insert the power adapter with the line side into a suitable socket close to the appliance.

Observe the user manual that is enclosed with the power adapter.

2. Insert the mains plug for the appliance's power cord into the power adapter's load side.

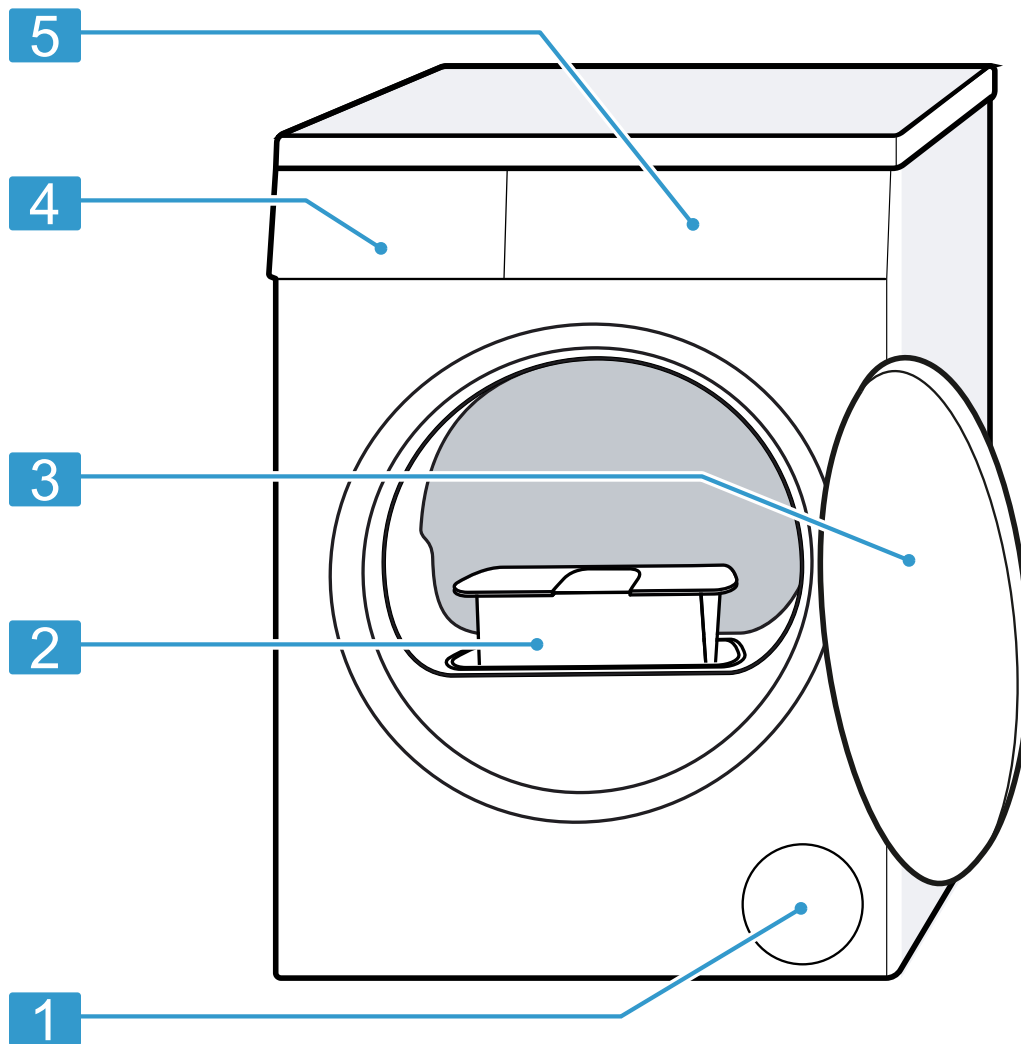
The connection details of the appliance can be found under Technical data → *Page 35*.

3. Check the power plug is inserted properly.

5 Familiarizing yourself with your appliance

5.1 Appliance

Here you can find an overview of the parts of your appliance.



On certain models, specific details such as the color and shape may differ from those pictured.

1 Ventilation opening

2 Lint screen → *Page 22*

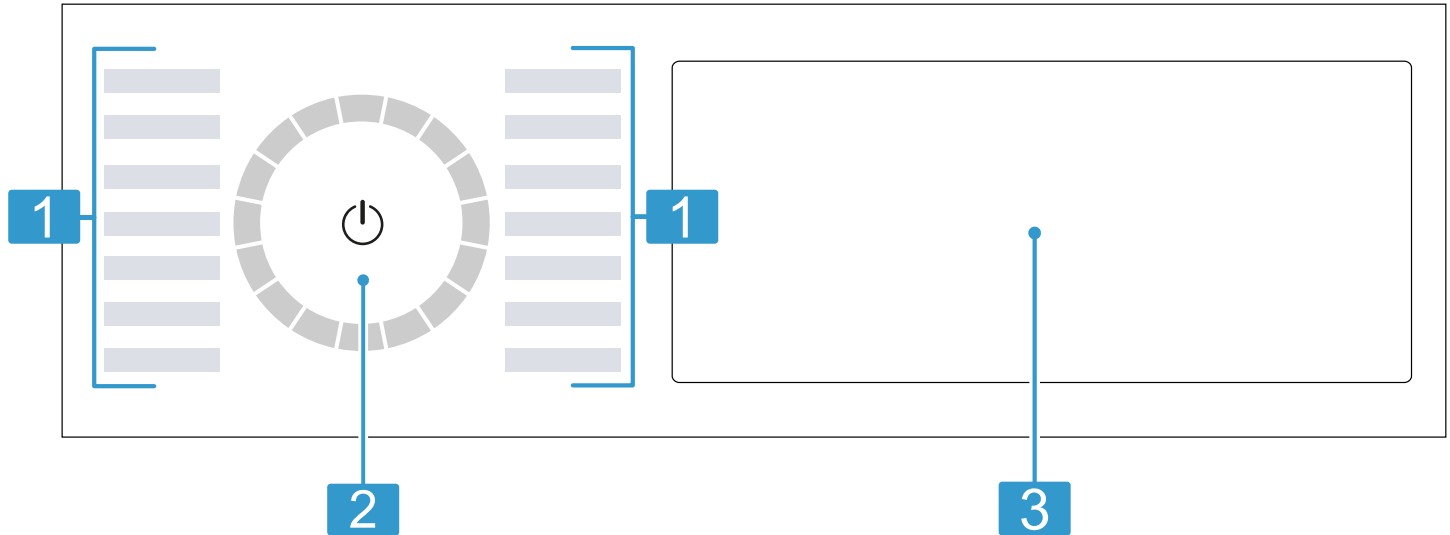
3 Door

4 Condensation container → *Page 24*

5 Control panel → *Page 16*

5.2 Control panel

You can use the control panel to configure all functions of your appliance and to obtain information about the operating status.



1 Programs → *Page 19*

2 Program selector → *Page 21*

3 Buttons → *Page 18* and display → *Page 17*

5.3 Operating logic

Some areas of the display are buttons and respond to touch. You can activate, deactivate or change settings by pressing the buttons. The activated settings are highlighted brightly on the display.

NOTICE:

Pressing on the display with force may cause damage.

- ▶ Do not apply heavy pressure on the display.
- ▶ Do not press on the display using pointed or sharp objects.

Changing a setting value

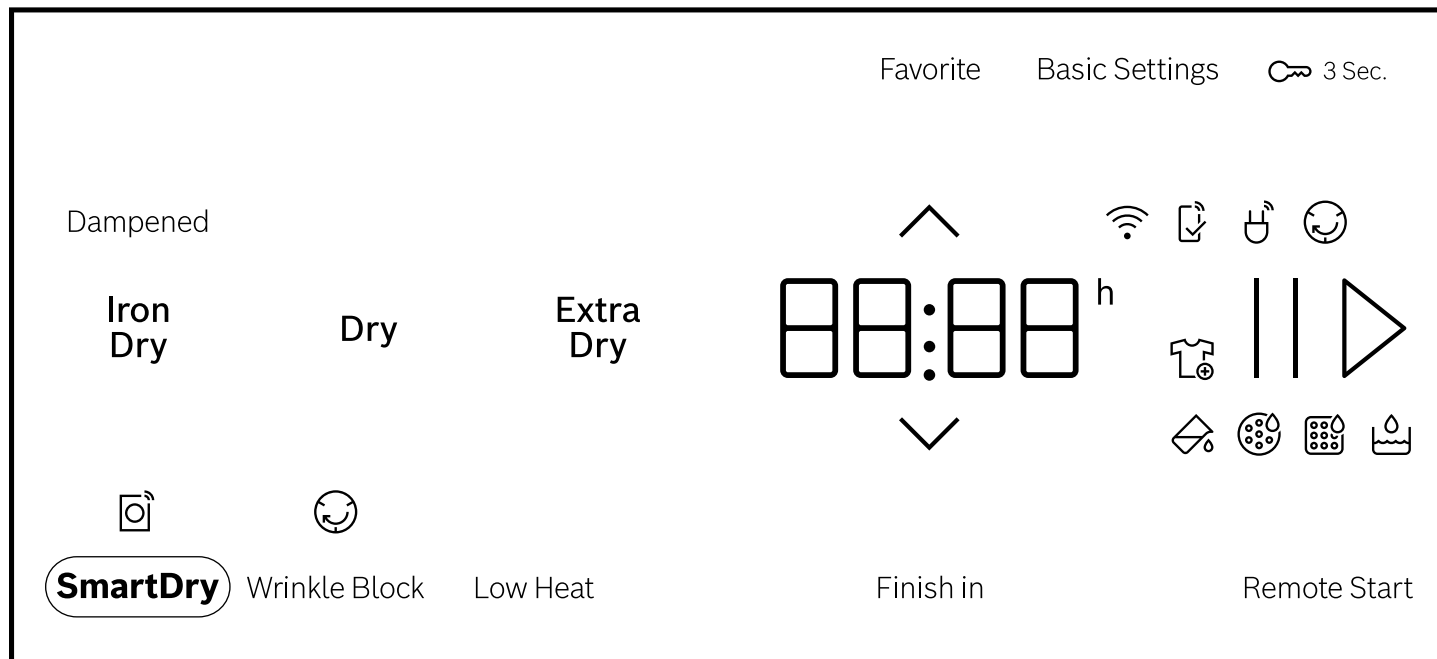
If you activate certain settings, the display shows selection buttons and you can change the setting value.

- ▶ Press the selection buttons → *Page 18*.







The display shows the setting value.

6 Display

The display shows the current settings, options or relevant information.



Example: Display

Display	Description
00:40 ¹	Expected program duration or program time remaining in hours and minutes.
10h ¹	Program end time → "Buttons", Page 19
	You can remove or add laundry, and interrupt the current program. → "Adding laundry", Page 22
	Empty and insert the condensation container. → "Emptying the condensation container", Page 24
	Clean the lint screen. → "Cleaning the lint screen", Page 22
CARÉ	Run the basic appliance care program. → "Appliance care", Page 27
Hot	The cooling process cools the laundry for a few minutes while the drum is rotating, in order to avoid damage to the laundry. The cooling process can be cancelled by opening the door. Note: Do not change the set program.
	<ul style="list-style-type: none"> ■ Lights up: The appliance is connected to your home network via Wi-Fi. ■ Flashes: The appliance is trying to connect to your home network via Wi-Fi. → "Home Connect", Page 25
	Settings that are not available on the appliance have been set via the Home Connect app. You can find more information in the Home Connect app.
	Anti-crease Program status
▶	Pause Program status
End	Program end Program status

¹ Example

7 Buttons

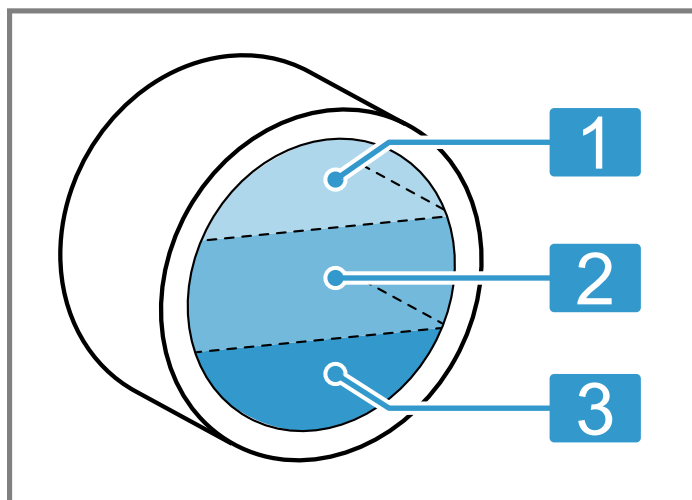
Below is an overview of the buttons and their setting options.

Button	Selection	Description
▷	<ul style="list-style-type: none"> ■ Start ■ Cancel ■ Pause 	<p>Start, cancel or pause the program.</p> <p>If is displayed, you can pause the program.</p> <p>If ▷ is displayed, you can start the program.</p>
⏻ (mains switch)	<ul style="list-style-type: none"> ■ Switch on ■ Standby mode ■ Restart the appliance 	<p>Switch on the appliance or put it in standby mode.</p> <p>If the control panel does not respond, press and hold ⏻ for approximately 5 seconds to restart the appliance.</p> <p>→ <i>"The appliance is not working."</i>, Page 31</p>
🔒 3 Sec.	<ul style="list-style-type: none"> ■ Activate ■ Deactivate 	<p>Activate or deactivate the control panel lock.</p> <p>Disable the control panel to prevent unwanted or accidental operation.</p> <p>If the control panel lock is activated and the appliance has been switched off, the control panel lock remains activated.</p> <p>→ <i>"Control panel lock"</i>, Page 25</p>
⏶	Multiple selection	To change a setting, press the ⏶ or ⏷ selection button until the display shows the required setting.
Basic Settings	Multiple selection	→ <i>"Basic settings"</i> , Page 27
Favorite	<ul style="list-style-type: none"> ■ Save ■ Set 	<p>Press the button for approx. 3 seconds to save your customized program settings.</p> <p>→ <i>"Saving the program settings"</i>, Page 22</p> <p>If you briefly press the button, you can set customized program settings for your program.</p>
Extra Dry	<ul style="list-style-type: none"> ■ Activate ■ Deactivate 	<p>The dryness level defines how damp or dry the laundry is after the program ends.</p> <p>→ <i>"Dryness level"</i>, Page 25</p>
Dry	<ul style="list-style-type: none"> ■ Activate ■ Deactivate 	<p>The dryness level defines how damp or dry the laundry is after the program ends.</p> <p>→ <i>"Dryness level"</i>, Page 25</p>
Iron Dry	<ul style="list-style-type: none"> ■ Activate ■ Deactivate 	<p>The dryness level defines how damp or dry the laundry is after the program ends.</p> <p>→ <i>"Dryness level"</i>, Page 25</p>
☺ Wrinkle Block	<ul style="list-style-type: none"> ■ Activate ■ Deactivate 	<p>Activate or deactivate the crease-reduction function.</p> <p>Once the program has ended, the drum moves the laundry at regular intervals for 120 minutes to prevent creasing.</p>

Button	Selection	Description
Low Heat	<ul style="list-style-type: none"> ▪ Activate ▪ Deactivate 	<p>Activate or deactivate gentle drying. The temperature is reduced for delicate fabrics, e.g. polyacrylic or elastane.</p> <p>The program duration is extended.</p>
Finish in	Up to 24 hours	<p>Set the program end time. The program duration is already included in the set number of hours. Once the program has started, the program duration is displayed.</p>
SmartDry	Activate	<p>After you have washed your laundry in the washing machine, the dryer recommends a suitable program for drying the laundry.</p> <p>Note: The washing machine must be compatible with Home Connect. The washing machine and dryer must be connected to your home network and registered in your Home Connect app.</p>
Remote Start	<ul style="list-style-type: none"> ▪ Activate ▪ Deactivate ▪ Open the Home Connect menu 	→ "Remote start", Page 26

8 Programs

You can dry your fabrics using either an automatic program or a timed program.



1 Large load

2 Medium load

3 Small load

8.1 Automatic programs


Automatic programs are programs in which humidity sensors measure the residual moisture in the laundry during the drying cycle. The program only ends once the set dryness level is reached.

Each automatic program has a dryness level → Page 25. The dryness level defines how dry or damp your laundry is after the program ends.

Tips

- Select the dryness level according to the type of fabric or the desired drying result.
→ "Dryness level", Page 25
- The laundry's care labels provide you with additional information on program selection.


Program	Description	Max. load
Cotton	Dry hard-wearing, heat-resistant fabrics made of cotton or linen.	large

Program	Description	Max. load
Mix	Dry items made of cotton and synthetics.	small
Bedding	Dry quilt covers, pillowcases, and sheets made of cotton. Note: The drum movement is optimized for drying large items of laundry.	medium
Delicates	Dry delicate items made of satin, synthetics, or blended fabrics.	small
Sanitize	Dry hard-wearing, heat-resistant fabrics made of cotton or linen. Note: Particularly suitable for strict hygiene requirements.	medium
Jeans	Dry jeans and thick, double-layered items made of cotton. Note: Turn laundry inside out before drying.	medium
Sportswear	Dry self-drying sportswear made of performance fibers, microfibers and synthetics.	small
Quick Dry Auto	Dry items made of synthetics or light cotton.	small
Towels	Dry hard-wearing, heat-resistant towels and robes made of cotton or linen.	medium
 App Programs	Select additional programs directly via the Home Connect app. A description of the programs can be found in the Home Connect app. Note: Your appliance must be connected to your home network and registered in your Home Connect app. → " <i>Home Connect</i> ", Page 25	–

8.2 Timed programs

Timed programs are programs with a defined or adjustable program duration. The program ends once this time has elapsed, even if the laundry is still not dry, for example. Timed programs are suitable for drying individual items of laundry or thin fabrics.

Tip: The laundry's care labels provide you with additional information on program selection.

Program	Description	Max. load
Hand Wash/Wool	Dry machine-washable items made of wool or containing wool. Note: The laundry becomes fluffier but not dry. Remove laundry once the program has ended and allow it to dry.	medium
Air Fluff	Fluff/loosen all fabric types except for wool and silk. This program is suitable for fluffing dry laundry only. Also suitable for freshening up or airing dry clothing that has hardly been worn. Note: This program is suitable for drying using the wool basket.	small
Time Dry	Dry all types of fabric except for wool and silk. Suitable for pre-dried or slightly damp laundry and for drying off multi-layered, thick laundry. Note: This program is suitable for drying using the wool basket. If you are using the wool basket, you can also dry fabrics made from wool using this program.	small
 App Programs	Select additional programs directly via the Home Connect app. A description of the programs can be found in the Home Connect app. Note: Your appliance must be connected to your home network and registered in your Home Connect app. → " <i>Home Connect</i> ", Page 25	–
Anti Shrink	Pre-dry items made from cotton, linen, or synthetic fabrics. Suitable for pre-drying slightly damp laundry. To reduce creasing, hang up the laundry directly after pre-drying.	small

9 Accessories

Only use original accessories. These are designed especially for your appliance.

Note: Some accessories are available in other colors.

Contact

→ "Customer Service", Page 34.

	Use	Order number
Elbow	Secure the water drain hose in place.	00655300
Connection kit	To save space, stack the appliance on a suitable washing machine of the same width and depth, and that is from the same manufacturer.	WTZ27510UC
Wool basket	Dry or air individual woolen items, sports shoes, and soft toys.	WMZ20600
Y-distributor	Connect the water drain hose of an additional appliance to the same siphon outlet.	15000490
Appliance care product	Spare part for the intensive appliance care function.	00311829
Platform	Install the appliance at a raised height so that it can be easily loaded and unloaded.	WTZPW20D
Power adapter	Connect the appliance to a NEMA 14-30 (4-pin) outlet.	WTZPA20UC
Power adapter	Connect the appliance to a NEMA 10-30 (3-pin) outlet.	WTZPA30US
Fuses	Spare part for the power adapter to protect the appliance from damage due to overloads and short circuits.	10013781

10 Laundry

10.1 Preparing the laundry

NOTICE:

Objects remaining in the laundry may damage the laundry and the drum.

- ▶ Remove all items from any pockets in your laundry before using the appliance.

Note

The appliance and fabrics are protected when you prepare your laundry.

- Brush off sand and soil
- Sort the laundry according to color and fabrics and observe the care labels
- Close all zippers, hook and loop fasteners, hooks and eyes
- Remove curtain fittings and lead strips
- Load the laundry unfolded into the drum
- Spin the laundry before drying
- Dry woolen items, sports shoes and soft toys in the wool basket

11 Basic Operation

11.1 Switching on the appliance

Note: If you switch the appliance on the first time after you have connected it to the electrical system, the switch-on process takes up to one minute.

Requirement: The appliance has been correctly installed and connected.

→ "Installation and connection", Page 8

- ▶ Press .

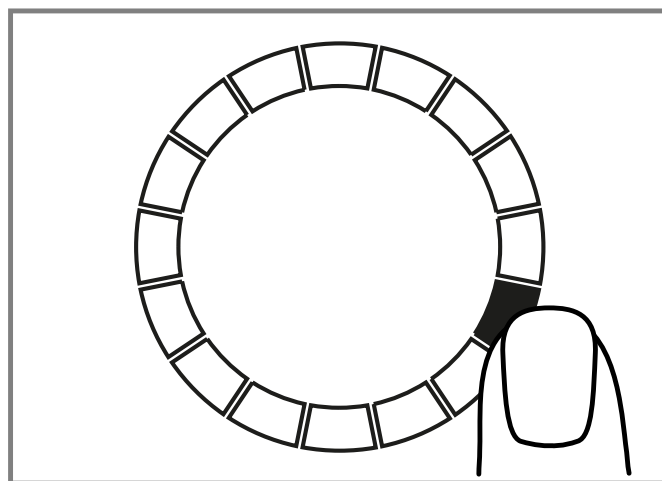
The switch-on process takes a few seconds.

Note: The lighting for the drum goes out automatically.

11.2 Setting a program

1. Press the required program.

→ "Programs", Page 19



- ✓ The display shows the program settings.

2. If required, adjust the program settings.

→ "Adjusting the program settings", Page 22

11.3 Adjusting the program settings

Depending on the program and program progress, you can adjust or activate/deactivate the settings.

Requirement: A program has been set.

→ "Setting a program", Page 21

▶ Adjust the program settings.

→ "Buttons", Page 18

Observe the information about operating logic

→ Page 16.

Note: The program settings are not saved permanently for the program.

11.4 Saving the program settings

You can save your individual program settings as favorites.

Requirements

■ A program has been set.

→ "Setting a program", Page 21

■ The program settings have been adjusted.

→ "Adjusting the program settings", Page 22

▶ Press and hold **Favorite** for approximately 3 seconds.

Press **Favorite** to call up the saved program.

Note: To overwrite the saved program, repeat the steps above.

11.5 Loading laundry

Note: To prevent creasing, note the maximum load for the programs.

→ "Programs", Page 19

Requirements

■ The laundry is prepared and sorted.

→ "Laundry", Page 21

■ The drum is empty.

1. Open the door.

2. Place the laundry in the drum.

3. Close the door.

Ensure that there is no laundry trapped in the door.

11.6 Starting the program

Requirement: A program has been set.

→ "Setting a program", Page 21

▶ Press .

✓ The display shows the program duration or the program end time.

✓ After the program has ended, the display shows: "End".

Note: If "Hot" appears, the appliance cools the laundry. When "Hot" goes out, the laundry has cooled down.

11.7 Adding laundry

After the program starts, you can remove or add laundry at any time.

1. Press .

The cooling process starts automatically after approximately 30 seconds and cools down the laundry while the drum is rotating. If you want to avoid or cancel the cooling process, open the door.

→ "Display", Page 17

2. Open the door.

3. Add or remove laundry.

4. Close the door.

5. Press .

11.8 Terminating the program

1. Press .

2. Open the door.

3. Remove the laundry.

→ "Removing the laundry", Page 22

11.9 Removing the laundry

1. Open the door.

2. Remove the laundry from the drum.

11.10 Put the appliance into standby mode

▶ Press .

11.11 Lint screen

During drying, lint from the laundry is collected in the lint screen. The lint screen protects the appliance from lint.

Cleaning the lint screen

If the drying program has finished or the display shows a notification while the appliance is in operation, clean the lint screen.

Note: If you do not clean the appliance as described, the appliance's functionality may be impaired.

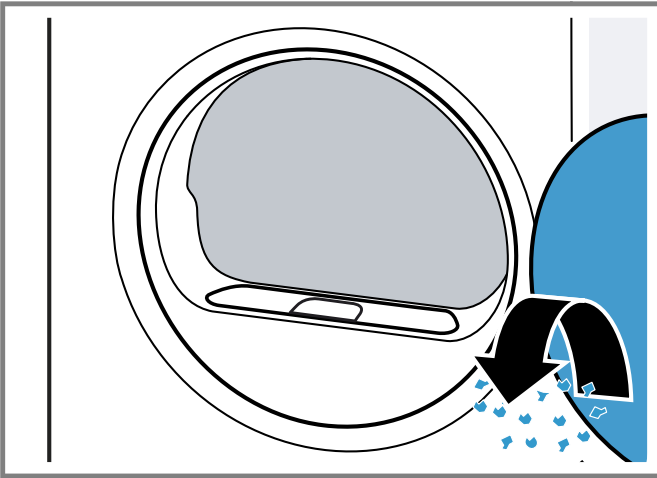
Requirements

■ The display shows the following after drying: "End"

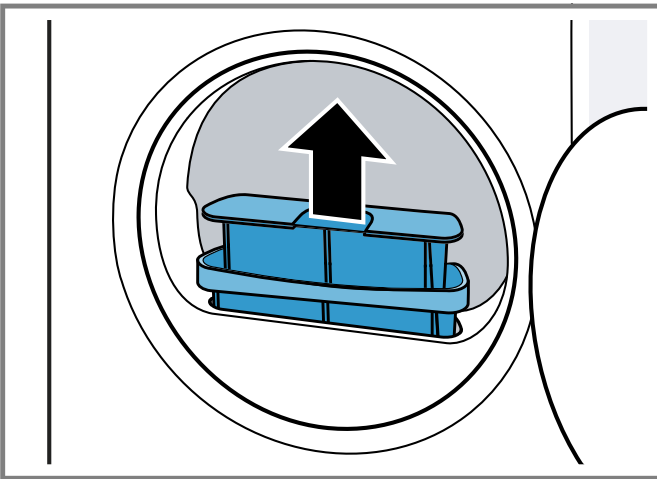
■ or the display shows the following during operation: .

1. Open the door.

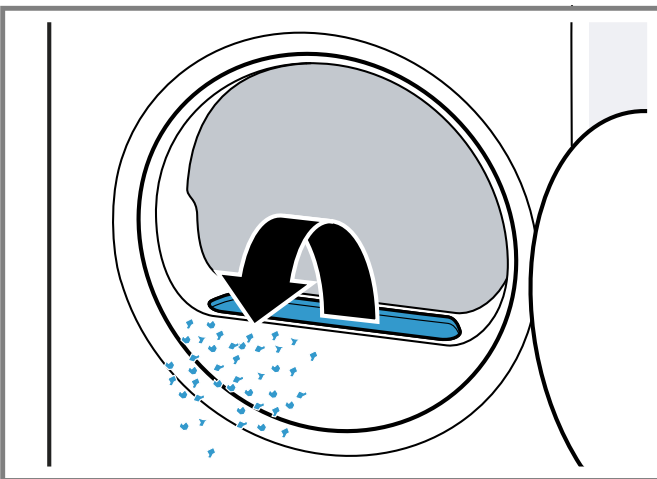
2. Remove the lint from the door.



3. Remove the two-part lint screen.

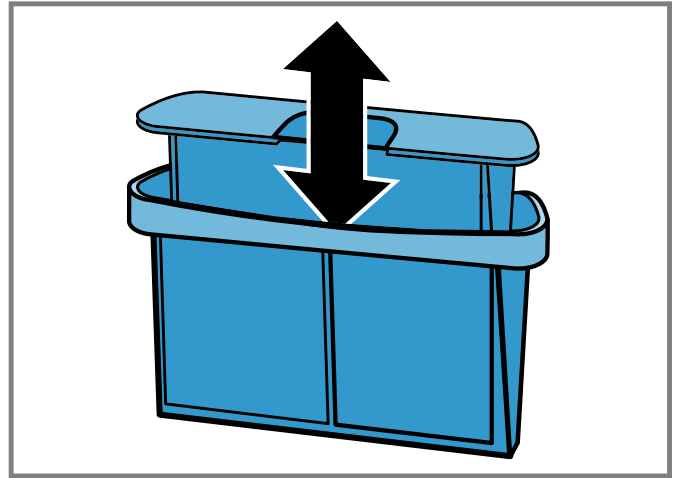


4. Remove the lint from the recess.

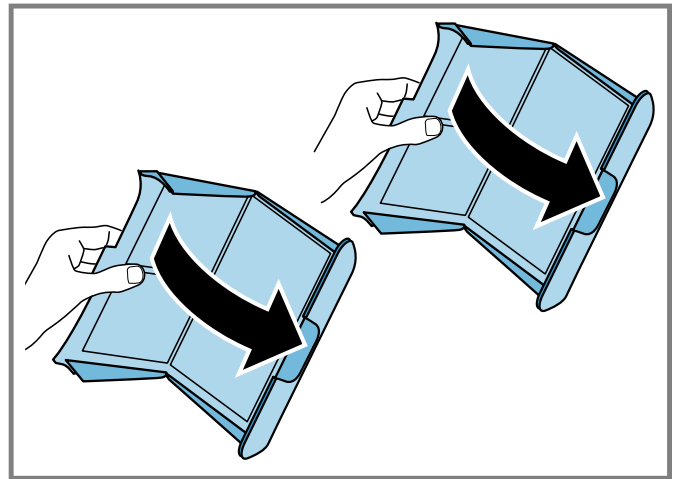


Ensure that no lint falls into the air channel.

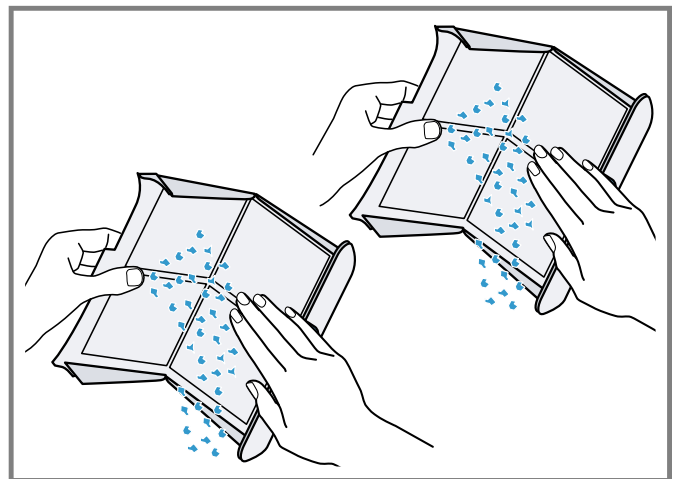
5. Disconnect the two-part lint screen.



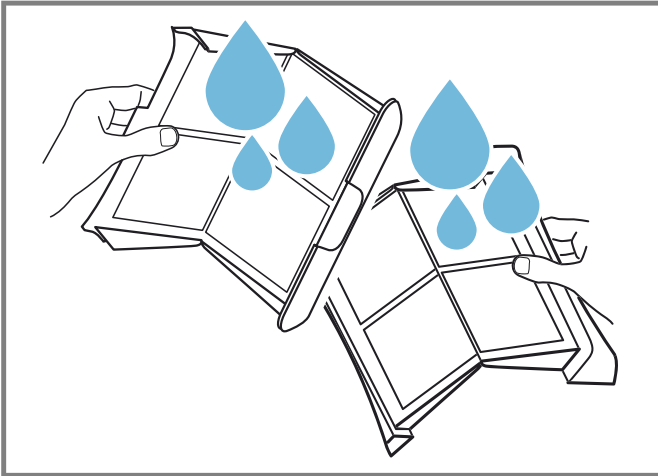
6. Open the two lint screens.



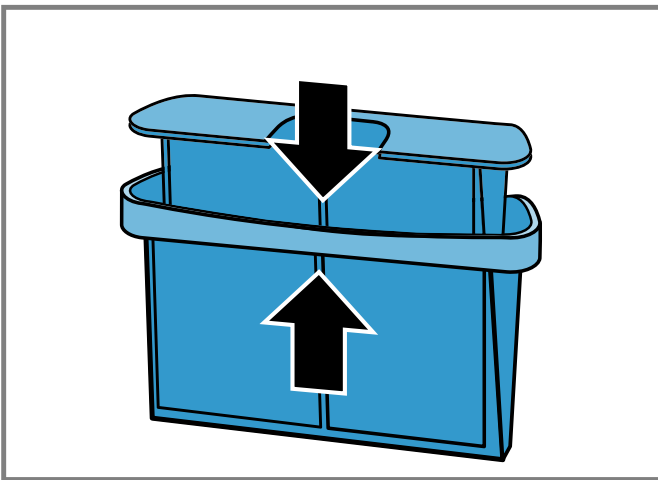
7. Remove the lint.



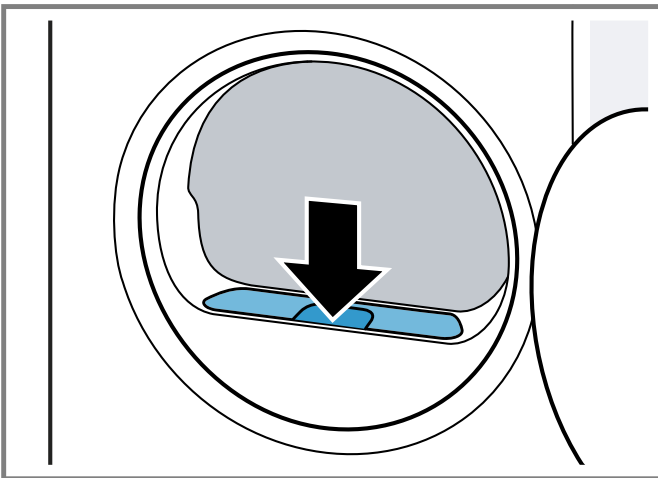
8. Clean the two lint screens thoroughly under warm, running water and then dry them off.



9. Close the two lint screens and put them together.



10. Insert the two-part lint screen.



11. Close the door.

11.12 Condensation container

If you have connected the condensation container, your appliance uses this to collect any condensation.

Note: Operate this appliance using the water outlet hose provided.


If you connect the water outlet hose, you do not have to regularly empty the condensation container.

→ "Emptying the condensation container", Page 24

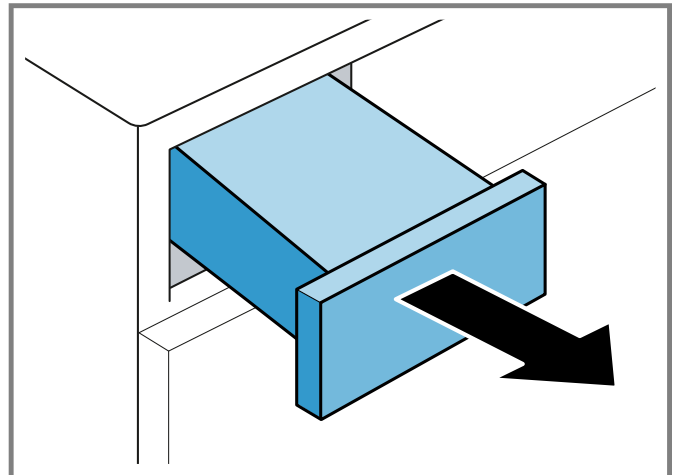
Emptying the condensation container

If the drying program has finished or the display shows a notification while the appliance is in operation, empty the condensation container.

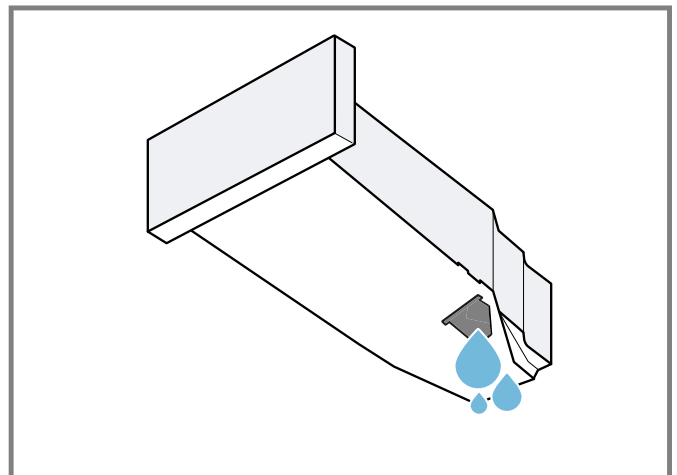
Requirements

- The display shows the following after drying: "End"
- or the display shows the following during operation: 

1. Pull out the condensation container, keeping it level.



2. Empty the condensation container.



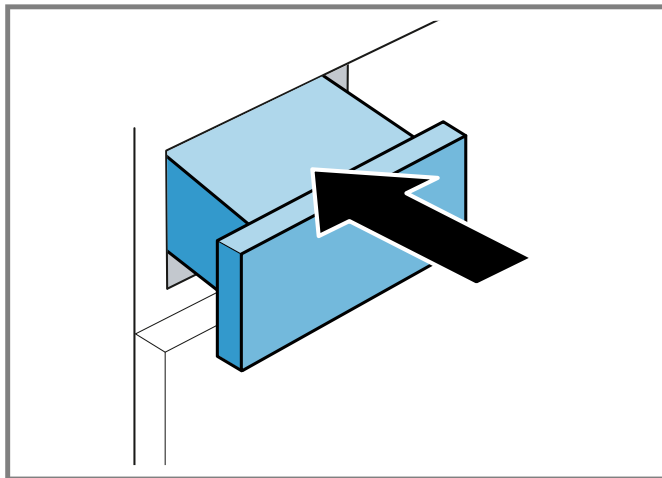
Check the condensation container filter → Page 29 regularly, and clean the filter if it is dirty.

Make sure that you insert the condensation container before operating the appliance.

→ "Inserting the condensation container", Page 25

Inserting the condensation container

- ▶ Push the condensation container in as far as it will go.



12 Dryness level

Each automatic program has a specified dryness level. The dryness level defines how dry or damp your laundry is after the program ends.

Dryness level	Description
Extra Dry	For multi-layered, thick laundry that does not dry readily.
Dry	For normal, single-layered laundry.
Iron Dry	For normal, single-layered laundry. The laundry is still slightly damp after the program ends. To prevent creasing after drying, iron the laundry or hang it up.

12.1 Changing the dryness level

For some automatic programs, you can change the dryness level so that your laundry will be drier or more damp.

1. Set an automatic program. → *Page 19*
 - ✓ The display shows the specified dryness level.
2. Press **Dry**, **Extra Dry** or **Iron Dry**.

12.2 Adjusting the dryness level

If the laundry feels too damp after it has been dried to a particular dryness level, you can adjust the dryness level.

Note: You can also adjust the dryness level in the basic settings.

1. Set an automatic program. → *Page 19*
 - ✓ The display shows the specified dryness level.
2. Press and hold **Dry**, **Extra Dry** or **Iron Dry** for approximately 3 seconds.
3. Press **^** or **v** to adjust the dryness level.

4. Press and hold the selected dryness level for approximately 3 seconds to return to the automatic program.

13 Control panel lock

Secure your appliance against being operated unintentionally using the controls.

13.1 Activating the control panel lock

- ▶ Press and hold **☞** **3 Sec.** for around 3 seconds.
- ✓ The control elements are locked.
- ✓ The control panel lock also remains activated when the appliance is in standby mode and in the event of a power failure.

13.2 Deactivating the control panel lock

Requirement: To deactivate the control panel lock, the appliance must be switched on.

- ▶ Press and hold **☞** **3 Sec.** for around 3 seconds.

14 Home Connect

This appliance is network-capable. Connecting your appliance to a mobile device lets you control its functions via the Home Connect app, adjust its basic settings and monitor its operating status.

The Home Connect services are not available in every country. The availability of the Home Connect function depends on the availability of Home Connect services in your country. You can find information on this at: www.home-connect.com.

The Home Connect app guides you through the entire registration process. Follow the instructions in the Home Connect app to implement the settings.

Tip: Follow the instructions in the Home Connect app as well.

Notes

- Also note the safety information in this instruction manual and ensure that it is also observed when operating the appliance using the Home Connect app. → *"Safety", Page 4*
- Operating the appliance on the appliance itself always takes priority. It is not possible to operate the appliance using the Home Connect app during this time.

14.1 Setting up the Home Connect app

1. Install the Home Connect app on your mobile device.
2. Start the Home Connect app and set up access for Home Connect.

The Home Connect app guides you through the entire registration process.

14.2 Setting up Home Connect

Requirements

- The Home Connect app is installed on your mobile device.
 - The appliance receives signals from the WLAN home network (Wi-Fi) at its installation location.
1. Press and hold **Remote Start** for around 3 seconds.
 2. Follow the instructions in the Home Connect app.

14.3 Home Connect menu

The Home Connect menu contains all of the Home Connect settings.

Calling up the Home Connect menu

- ▶ Press and hold **Remote Start** for at least 3 seconds.
- ✓ The display shows the first setting of the Home Connect menu.

Navigating in the Home Connect menu

- ▶ Briefly press **Remote Start** until the display shows the required setting.

Exiting the Home Connect menu

- ▶ Press and hold **Remote Start** for at least 3 seconds.

14.4 Activating Wi-Fi on the appliance

Requirements

- The Home Connect menu is called up. → *Page 26*
- The display shows "oFF".
- ▶ Press **||▷** to change the setting.
- ✓ The display shows "on" if the Wi-Fi is activated.

Note: If the Wi-Fi is activated, the display alternately shows "on" and the signal strength of the Wi-Fi connection.

14.5 Deactivating Wi-Fi on the appliance

Requirements

- The Home Connect menu is called up. → *Page 26*
- The display shows "on".
- ▶ Press **||▷** to change the setting.
- ✓ The display shows "oFF" if the Wi-Fi is deactivated.

14.6 Resetting the appliance network settings

Requirements

- The Home Connect menu is called up. → *Page 26*
- The display shows "rES".
- ▶ Press and hold **||▷** for at least 3 seconds.
- ✓ The network settings are reset.

14.7 Remote start

Enable the appliance for remote start via the Home Connect app.

Note

Remote start will be deactivated in the following circumstances:

- The appliance door is opened.
- Press **||▷**.
- Press **Remote Start**.
- Following a power failure.

Activating remote start

Requirement: The appliance door is closed.

- ▶ Press **Remote Start**.
- ✓ **Remote Start** lights up and the appliance is enabled for remote start via the Home Connect app.

Deactivating remote start

- ▶ Press **Remote Start**.
- ✓ **Remote Start** goes out.

14.8 Intelligent program recommendation

When you activate the intelligent program recommendation, your appliance recommends a suitable program for drying the laundry once you have washed your laundry in the washing machine.

Activating the intelligent program recommendation

Requirements

- Your washing machine has the Home Connect function.
- Your washing machine and your dryer must be connected to your home network and registered in your Home Connect app.

1. Press **☐ SmartDry**.
 - ✓ The appliance determines a suitable program. To cancel the process, set a different program or switch the appliance to standby mode.
 - ✓ If the appliance finds a suitable program, the display for the program lights up and the program information is displayed.
 - ✓ If the appliance does not find a suitable program, a signal tone sounds and the display shows "- -".
2. Press **||▷**.

14.9 Remote diagnostics

The Customer Service can access your appliance via Remote Diagnostics if you ask them to do so, if your appliance is connected to the Home Connect server and if Remote Diagnostics is available in the country where you are using the appliance.

Tip: Further information and details about the availability of Remote Diagnostics in your country can be found in the Service/Support section of your local website: www.home-connect.com.

14.10 Data Protection

Please see the information on data protection.

The first time your appliance is registered on a home network connected to the Internet, your appliance will transmit the following types of data to the Home Connect server (initial registration):

- Unique appliance identification (consisting of appliance codes as well as the MAC address of the installed Wi-Fi communication module).
- Security certificate of the Wi-Fi communication module (to ensure a secure data connection).
- The current software and hardware version of your appliance.
- Status of any previous reset to factory settings.

This initial registration prepares the Home Connect functions for use and is only required when you want to use the Home Connect functions for the first time.

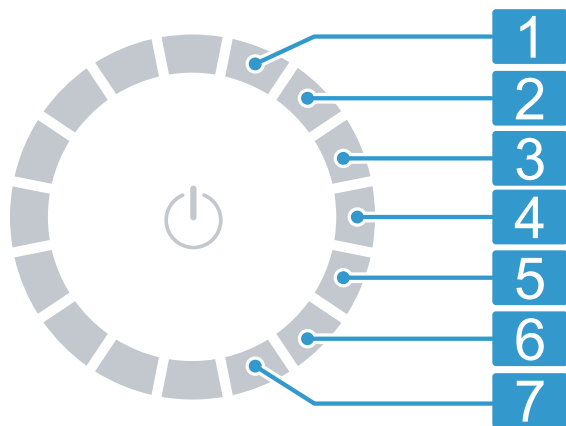
Note: Please note that the Home Connect functions can be utilized only with the Home Connect app. Information on data protection can be called up in the Home Connect app.

15 Basic settings

You can configure the basic settings for your appliance to meet your needs.

Note: You can also adjust the the basic settings in the Home Connect app.

15.1 Overview of the basic settings



Program selector with program positions

- | | |
|----------|--|
| 1 | Set the volume of the signal tone that is emitted when the program ends:
0 (off) to 4 (very loud) |
| 2 | Set the volume of the signal tone that is emitted when the buttons are selected:
0 (off) to 4 (very loud) |
| 3 | Set the display brightness:
1 (low) to 4 (very high) |

- | | |
|----------|---|
| 4 | Adjust the dryness level → <i>Page 25</i> :
0 (dry) to 3 (driest) |
| 5 | Start the basic (CP1) or intensive (CP2) appliance care program.
→ " <i>Appliance care</i> ", <i>Page 27</i> |
| 6 | Display the number of started programs. |
| 7 | Restore the appliance to the factory settings (rES). |

15.2 Changing the basic settings

1. To call up the basic settings, press **Basic Settings**.
2. Use the program selector to select the required basic setting. → *Page 27*
3. Adjust the basic setting:
 - To change the value, press \wedge or \vee .
 - To reset the appliance to the factory settings, press and hold $\parallel \triangleright$ for approx. 3 seconds.
4. Press **Basic Settings** to save the settings.

16 Appliance care

The appliance offers cleaning programs for basic and intensive appliance care.

16.1 Preparing for the appliance care program

Preparing the appliance for the appliance care program

Prepare the appliance before running the appliance care program.

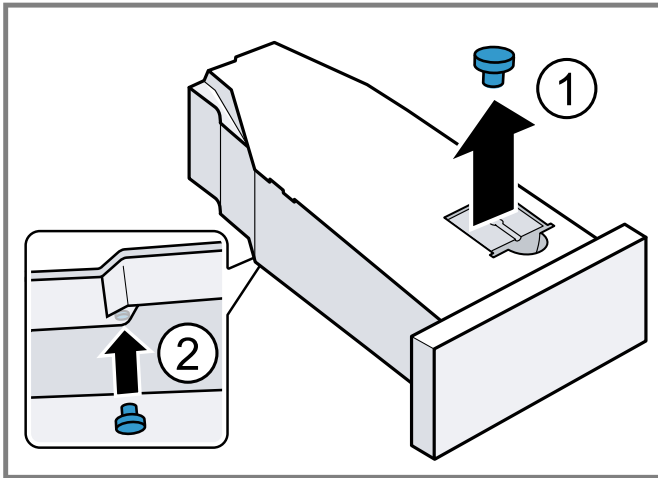
Requirements

- The drum is empty.
 - The appliance is in standby mode.
1. Clean the lint screen. → *Page 22*
 2. Pull out the condensation container horizontally and empty it. → *Page 24*

Preparing the condensation container for the appliance care program

If you are draining the condensation water from the appliance using the drain hose, prepare the condensation container before running the appliance care program.

1. Remove the stopper from the recess in the top ① and insert it in the underside ②.



When the appliance is delivered, the stopper is included as an accessory in the scope of delivery.

2. Clean the filter in the condensation container.

16.2 Calling up the appliance care program

Requirement: The appliance care program is ready.
→ Page 27

1. Press ⏻ .
The switch-on process takes a few seconds.
 2. Press **Basic Settings**.
 3. Set the program to position 5.
- ✓ "CP1" and the program duration alternate on the display.

16.3 Running the basic appliance care program

To remove light dirt deposits in the appliance, you can run the basic appliance care program.

Notes

- The basic appliance care program runs for approximately 1 hour.
- After a lengthy period of use, the appliance reminds you to run the basic appliance care program. Before the program starts or after the program has ended, the display shows the notification "CArE". This notification appears repeatedly until you have run the basic appliance care program through to the end.

Requirements

- The appliance care program is ready. → Page 27
 - The appliance care program is called up. → Page 28
1. Pour approx. 6.3 cups (1.5 l) of hot mains water into the condensation container.
Hold the filled condensation container level so that no liquid spills out.
 2. Insert the condensation container so that it locks into place.
 3. Press $\text{||} \triangleright$.

- ✓ The appliance care program starts and a signal tone sounds.
 - ✓ "End" appears on the display and a signal tone sounds once the appliance care program has ended.
4. Pull out the condensation container horizontally and empty it.
 5. If you drain the condensation using the drain hose, remove the stopper from the underside of the condensation container and insert it into the recess in the top of the condensation container. → Page 27
 6. Insert the condensation container so that it locks into place.
 7. Put the appliance into standby mode. → Page 22

16.4 Running the intensive appliance care program

You can run the intensive appliance care program to remove any stubborn dirt deposits in the appliance and odors after a downtime of more than one month.

Notes

- The intensive appliance care program runs for approximately 4 hours and must not be canceled.
- When you run the intensive appliance care program, you need the original appliance care product → Page 21.

Starting the intensive appliance care program

Requirements

- The appliance care program is ready. → Page 27
 - The appliance care program is called up. → Page 28
1. Press ✓ .
 - ✓ "CP2" and the program duration alternate on the display.
 2. Pour a bottle of the appliance care product and approx. 6.3 cups (1.5 l) of hot mains water into the condensation container.
Hold the filled condensation container level so that no liquid spills out.
 3. Insert the condensation container so that it locks into place.
 4. Press $\text{||} \triangleright$.
 - ✓ The appliance care program starts and a signal tone sounds.
 - ✓ After around 3 hours, the appliance pauses the appliance care program and the remaining program duration flashes on the display.
 5. Pull out the condensation container horizontally and empty it.
 6. Pour approx. 6.3 cups (1.5 l) of hot mains water into the condensation container.
 7. Carefully swivel the condensation container horizontally and empty it to rinse out any remaining appliance care product.

Continuing the intensive appliance care program

1. Pour approx. 6.3 cups (1.5 l) of hot mains water into the condensation container.
Hold the filled condensation container level so that no liquid spills out.
2. Insert the condensation container so that it locks into place.
3. Press **||▷**.
 - ✓ The appliance care program continues.
 - ✓ "End" appears on the display and a signal tone sounds once the appliance care program has ended.
4. Pull out the condensation container horizontally and empty it.
5. If you drain the condensation using the drain hose, remove the stopper from the underside of the condensation container and insert it into the recess in the top of the condensation container. → *Page 27*
6. Insert the condensation container so that it locks into place.
7. Put the appliance into standby mode. → *Page 22*

17 Cleaning and maintenance

To keep your appliance working efficiently for a long time, it is important to clean and maintain it carefully.

17.1 Tips on cleaning and care

Wipe down the housing and the controls with nothing but water and a damp cloth.	This ensures the parts of the appliance will remain clean and hygienic.
Remove all detergent residue, spray residue, or other residues immediately.	Fresh deposits are easier to remove without leaving any residue.
Leave the appliance door open after use.	This allows the residual water to dry, reducing odors in the appliance.

17.2 Moisture sensor

The moisture sensor in this appliance measures how damp the laundry is during the drying cycle. The appliance changes the duration of the automatic program depending on the residual moisture in the laundry.

Cleaning the moisture sensor

Over time, residue from limescale, detergents, and care products can build up on the moisture sensor. Clean the moisture sensor regularly.

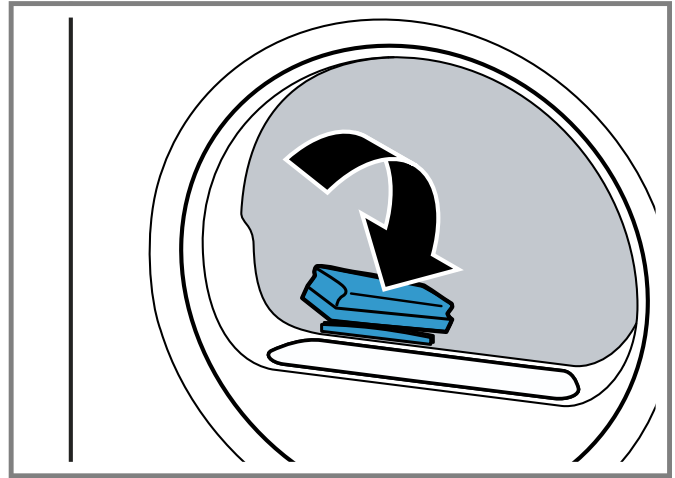
NOTICE:

Hard or rough objects may damage the moisture sensor.

- ▶ Do not use hard or rough objects, abrasive cleaning products, or steel wool for cleaning.

Note: If you do not clean the appliance as described, the appliance's functionality may be impaired.

1. Open the door.
2. Clean the moisture sensor with a sponge.



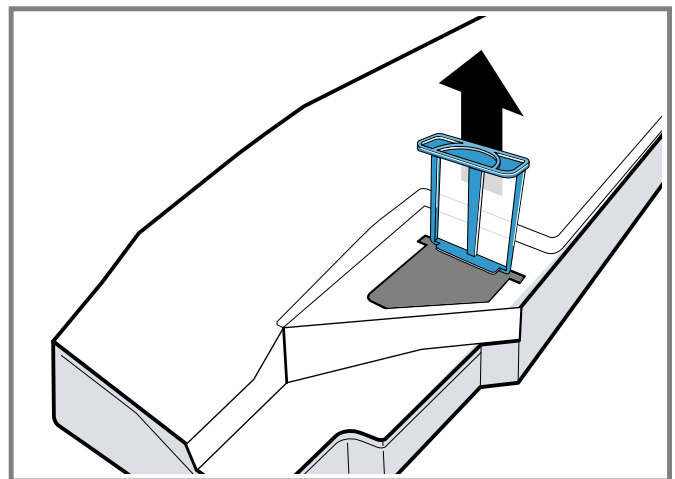
17.3 Condensation container filter

During drying, lint from the laundry gets into the condensation. The filter in the condensation container protects the appliance from lint.

Cleaning the condensation container filter

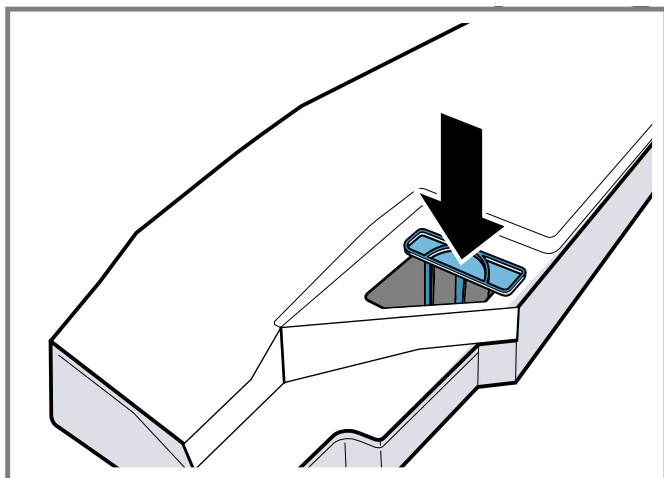
The filter is cleaned automatically when the condensation container is emptied. Check the filter regularly and clean the filter if it is dirty.

1. Empty the condensation container.
→ *"Emptying the condensation container", Page 24*
2. Remove the filter.



3. Clean the filter under warm, running water or in the dishwasher.

4. Slide in the filter as far as it will go.



5. Insert the condensation container.

→ *"Inserting the condensation container", Page 25*

18 Troubleshooting




You can eliminate minor issues on your appliance yourself. Please read the information on eliminating issues before contacting Customer Service. This may avoid unnecessary repair costs.

WARNING

Improper repairs are dangerous.

- ▶ Repairs to the appliance should only be performed by authorized service providers.

- ▶ Only original spare parts may be used to repair the appliance.
- ▶ If the power cord of this appliance becomes damaged, it must be replaced by the manufacturer, the manufacturer's Customer Service, or an authorized service provider in order to prevent injury.

Issue	Cause and troubleshooting
"Hot" and the drum rotates.	Cooling process active. <ol style="list-style-type: none"> 1. Not a fault. 2. Do not change the program during the cooling process. <p>Note: The cooling process takes up to 10 minutes. You can continue to operate the appliance.</p>
Humming noise.	Compressor active. <ul style="list-style-type: none"> ▶ Not a fault – normal operating noise.
The display goes out and  flashes.	Energy-saving mode is active. <ul style="list-style-type: none"> ▶ Press any button. ✓ The display lights up again.
"CArE"	After a period of operation, the appliance automatically recommends that you run the basic appliance care program. <ul style="list-style-type: none"> ▶ Run the basic appliance care program on the appliance. → <i>"Appliance care", Page 27</i>
	The lint screen is soiled. <ul style="list-style-type: none"> ▶ → <i>"Cleaning the lint screen", Page 22</i>
The appliance is not working.	The plug for the power cord is not plugged in. <ul style="list-style-type: none"> ▶ Connect the appliance to the power supply. <hr/> The circuit breaker in the circuit breaker panel has tripped. <ul style="list-style-type: none"> ▶ Check the breaker panel. <hr/> There has been a power failure. <ul style="list-style-type: none"> ▶ Check whether the lighting in your kitchen or other appliances in the room are working. <hr/> There is a software fault. <ul style="list-style-type: none"> ▶ To restart the appliance, press and hold  for approximately 5 seconds.
Appliance paused, but the drum is rotating.	Cooling process active. <ul style="list-style-type: none"> ▶ Not a fault – no action required.
Home Connect is not working properly.	Various causes are possible. <ul style="list-style-type: none"> ▶ Go to www.home-connect.com.
No connection to the home network.	Wi-Fi is switched off. <ul style="list-style-type: none"> ▶ Activating Wi-Fi on the appliance. → <i>"Activating Wi-Fi on the appliance", Page 26.</i> <hr/> Wi-Fi is activated but a connection to your home network cannot be established. <ol style="list-style-type: none"> 1. Ensure that the home network is available. 2. Reconnect the appliance to the home network. → <i>"Setting up Home Connect", Page 26</i>
Creasing.	The load is too large. <ul style="list-style-type: none"> ▶ Observe the maximum load capacity of the → <i>"Programs", Page 19.</i>

Issue	Cause and troubleshooting
Creasing.	<p>The laundry lies in the drum for too long after drying.</p> <ol style="list-style-type: none"> 1. Remove the laundry from the drum as soon as the drying program has finished. 2. Spread out the items of laundry to cool. <hr/> <p>Unsuitable program for the type of fabric.</p> <ul style="list-style-type: none"> ▶ Set a suitable program for the type of fabric. → <i>"Programs", Page 19</i> <hr/> <p>Easy-care fabrics are dried for too long.</p> <ul style="list-style-type: none"> ▶ → <i>"Changing the dryness level", Page 25.</i> ▶ → <i>"Adjusting the dryness level", Page 25.</i> <hr/> <p>Crease-reduction function not activated.</p> <ul style="list-style-type: none"> ▶ Activate the crease-reduction function. → <i>"Buttons", Page 18</i>
🗑️ and program terminated.	<p>Condensation container filled.</p> <ol style="list-style-type: none"> 1. → <i>"Emptying the condensation container", Page 24.</i> 2. → <i>"Inserting the condensation container", Page 25.</i> 3. → <i>"Starting the program", Page 22.</i> <hr/> <p>Water drain hose is caught or jammed.</p> <ol style="list-style-type: none"> 1. Ensure that the water drain hose is not kinked or trapped. 2. Route the water drain hose without kinks. <hr/> <p>Water drain hose is not connected correctly.</p> <ul style="list-style-type: none"> ▶ Ensure that the water drain hose is connected correctly. <hr/> <p>Water drain hose is blocked.</p> <ul style="list-style-type: none"> ▶ Rinse the water drain hose with tap water. <hr/> <p>The filter for the condensation container is soiled.</p> <ul style="list-style-type: none"> ▶ → <i>"Cleaning the condensation container filter", Page 29.</i>
Condensation in the condensation container even though the water drain hose is connected.	<p>The remaining volume of condensation may remain in the condensation container.</p> <ul style="list-style-type: none"> ▶ Not a fault – no action required. <hr/> <p>Water drain hose is not connected correctly.</p> <ul style="list-style-type: none"> ▶ Ensure that the water drain hose is connected correctly.
The program does not start.	<p>Control panel lock is activated.</p> <ul style="list-style-type: none"> ▶ Deactivate the control panel lock. <hr/> <p> ▷ has not been pressed.</p> <ul style="list-style-type: none"> ▶ Press ▷. <hr/> <p>No program has been set.</p> <ol style="list-style-type: none"> 1. → <i>"Setting a program", Page 21.</i> 2. → <i>"Starting the program", Page 22.</i>
The program duration changes during the drying cycle.	<p>The program operation is optimized electronically. This may change the program duration.</p> <ul style="list-style-type: none"> ▶ Not a fault – no action required.
Pumping noise.	<p>Condensation pump active.</p> <ul style="list-style-type: none"> ▶ Not a fault – normal operating noise.
Buzzing noise.	<p>Compressor ventilation active.</p> <ul style="list-style-type: none"> ▶ Not a fault – normal operating noise.
The drying time is too long.	<p>The lint screen is soiled.</p> <ul style="list-style-type: none"> ▶ → <i>"Cleaning the lint screen", Page 22</i> <hr/> <p>The ambient temperature is greater than 86 °F (30 °C).</p> <ul style="list-style-type: none"> ▶ Ensure that the ambient temperature is below 86 °F (30 °C).

Issue	Cause and troubleshooting
The drying time is too long.	The ambient temperature is lower than 59 °F (15 °C). <ul style="list-style-type: none"> ▶ Ensure that the ambient temperature is above 59 °F (15 °C).
	Insufficient air circulation at the appliance's installation location. <ul style="list-style-type: none"> ▶ Ventilate the appliance's installation location.
	Insufficient condensation for automatic self-cleaning when permanently drying small loads of laundry. <ul style="list-style-type: none"> ▶ Regularly dry a load weighing more than 6.6 lbs (3 kg) of damp laundry until the program ends.
	Insufficient condensation for automatic self-cleaning when permanently using the crease-removal function. <ul style="list-style-type: none"> ▶ Regularly dry a load weighing more than 6.6 lbs (3 kg) of damp laundry until the program ends.
	The appliance's ventilation opening is blocked. <ul style="list-style-type: none"> ▶ Ensure that the ventilation opening of the appliance is kept clear.
	The heat exchanger is soiled. <ul style="list-style-type: none"> ▶ Run the basic appliance care program on the appliance. → <i>"Appliance care", Page 27</i>
Water is leaking from the appliance.	Appliance is not correctly aligned. <ul style="list-style-type: none"> ▶ → <i>"Aligning the appliance", Page 11</i>
	Water drain hose is not connected correctly. <ul style="list-style-type: none"> ▶ Ensure that the water drain hose is connected correctly.
Laundry is too damp.	Unsuitable program for the type of fabric. <ul style="list-style-type: none"> ▶ Set a timed program for subsequent drying. → <i>"Programs", Page 19</i>
	There has been a power failure. <ul style="list-style-type: none"> ▶ Check whether the lighting in your kitchen or other appliances in the room are working.
	The load is too large. <ul style="list-style-type: none"> ▶ Observe the maximum load capacity of the → <i>"Programs", Page 19.</i>
	After the end of the program, warm laundry feels damper than it actually is. <ol style="list-style-type: none"> 1. Remove the laundry from the drum as soon as the drying program has finished. 2. Spread out the items of laundry to cool.
	Unsuitable dryness level set. <ul style="list-style-type: none"> ▶ → <i>"Changing the dryness level", Page 25.</i>
	Dryness level not adjusted. <ul style="list-style-type: none"> ▶ → <i>"Adjusting the dryness level", Page 25.</i>
	Load too small. <ul style="list-style-type: none"> ▶ Set a timed program for subsequent drying. → <i>"Programs", Page 19</i>
	Moisture sensor dirty. <ul style="list-style-type: none"> ▶ → <i>"Cleaning the moisture sensor", Page 29.</i>
	The drying process is interrupted and the condensation container has been filled. <ol style="list-style-type: none"> 1. → <i>"Emptying the condensation container", Page 24.</i> 2. → <i>"Inserting the condensation container", Page 25.</i> 3. → <i>"Starting the program", Page 22.</i>

Issue	Cause and troubleshooting
Odors have formed in the appliance.	<p>Stubborn dirt in the appliance or an extended appliance downtime of more than one month.</p> <ul style="list-style-type: none"> ▶ Run the intensive appliance care program. → "Appliance care", Page 27

19 Transportation, storage and disposal

19.1 Preparing the appliance for transportation

NOTICE:

If the appliance is operated immediately after transportation, the refrigerant contained in the appliance may cause damage to the appliance.

- ▶ Immediately after transporting the appliance, leave it to rest for two hours before putting it into operation.

Tip: The appliance may contain residual water, which may drip out of it when transported. The appliance should be transported upright.

Requirements

- The condensation container is emptied. Emptying the condensation container → Page 24
 - The appliance is switched on.
→ "Switching on the appliance", Page 21
1. Set any program → Page 21.
 2. Start the program → Page 22 and wait 5 minutes.
 - ✓ The condensation is drained.
 3. Put the appliance into standby mode.
→ "Put the appliance into standby mode", Page 22
 4. Remove the water drain hose from the connection point.
→ "Water drain connection types", Page 10
 5. Secure the water drain hose on the appliance against unintentional loosening.
Ensure that you do not bend the water drain hose.
 6. Empty the condensation container → Page 24.
 7. Insert the condensation container → Page 25.
 8. Disconnect the appliance's mains plug from the power supply.
 - ✓ The appliance is now ready to be transported.

19.2 Disposal of your old appliance

Environmentally compatible disposal allows valuable raw materials to be recycled.

WARNING

Children can lock themselves in the appliance, thereby putting their lives at risk.

- ▶ Do not install the appliance behind a door as this may obstruct the appliance door or prevent it from opening.

- ▶ With redundant appliances, pull out the mains plug of the power cord, cut through the power cord and remove the appliance door.

WARNING

Although the refrigerant R290 used in this appliance is environmentally friendly, it is flammable and may ignite if appliances are not disposed of in the proper manner.

- ▶ Dispose of the appliance in the proper manner.
- ▶ Do not damage the pipes in the refrigerant circuit.

1. Unplug the appliance from the power supply.
2. Cut through the power cord.
3. Remove the appliance door.
4. Dispose of the appliance in an environmentally responsible manner.

Information about current disposal methods can be obtained from your specialist dealer or local authority.

20 Customer Service

With any warranty repair, we will make sure your appliance is repaired by an authorized service provider using genuine replacement parts. We use only genuine replacement parts for all repairs.

Detailed information on the warranty period and terms of warranty can be found in the Statement of Limited Product Warranty, from your retailer, or on our website.

If you contact Customer Service, you will need the model number (E-Nr.), the production number (FD) and the consecutive numbering (Z-Nr.) of your appliance.

USA:

1-800-944-2904

www.bosch-home.com/us/owner-support/get-support

www.bosch-home.com/us/shop

CA:

1-800-944-2904

www.bosch-home.ca/en/service/get-support

www.bosch-home.ca/en/service/cleaners-and-accessories

For assistance with connecting to Home Connect, you can also view instructions here:

www.home-connect.com/us/en/help-support/set-up

20.1 Model number (E-Nr.), production number (FD) and consecutive numbering (Z-Nr.)

You can find the model number (E-Nr.), the production number (FD) and the consecutive numbering (Z-Nr.) on the appliance's rating plate.

Depending on the model, the rating plate can be found:

- on the inside of the door.

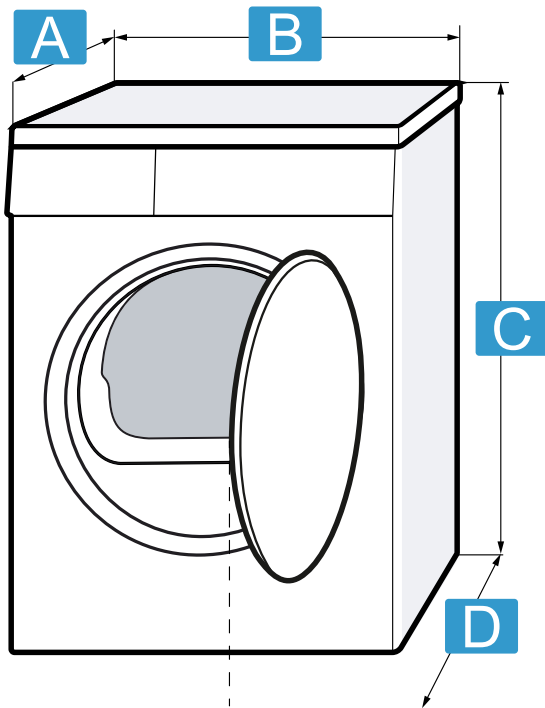
- on the inside of the service flap.
- on the backside of the appliance.

Making a note of your appliance's details and the Customer Service telephone number will enable you to find them again quickly.

21 Technical specifications

Weight	106.7 lbs (54.7 kg)
Drum volume	4.0 ft ³
Mains voltage	208-240 V, 60 Hz
⇌ Minimum installation protection	10 A
Power rating	900 W
Ambient temperature	<ul style="list-style-type: none"> ▪ Minimum: 41 °F (5 °C) ▪ Maximum: 95 °F (35 °C)
Length of the power cord	63 3/8" (161 cm)

Appliance dimensions



A	Appliance depth: 24 1/8" (61.3 cm) Appliance depth with door closed: 26" (65.1 cm)
B	Appliance width: 23 1/2" (59.8 cm)
C	Appliance height ¹ : 33 1/4" (84.2 cm)
D	Appliance depth with door open: 43 1/2" (110.5 cm)

¹ When aligning the appliance, the appliance height may increase by up to 5/8" (1.5 cm).



Register your appliance to enjoy customized benefits.

Thank you for being a Bosch customer!
Simply create a MyBosch account, then register your appliance.
You'll find a variety of customized information in MyBosch such as:

- **Discounts for filters, cleaners, accessories & parts**
- **Easy access to manuals & appliance specifications**
- **Easy access to part lists**
- **Customized offer for the Bosch Appliance Service Plan (sent by mail after appliance registration)**

Register here:
www.bosch-home.com/us/owner-support/mybosch

BOSCH
HOME APPLIANCES
SERVICE

Looking for help? You'll find it here.

No matter what, no matter when: Bosch is here to support you.
We're here to assist with usage instructions, cleaning tips,
accessories & parts, troubleshooting, and repairs.
Find online resources such as FAQs, how-to-videos, manuals,
warranties and authorized Bosch servicers at:
www.bosch-home.com/us/owner-support/get-support

Contact us:
Please have your Model Number (E-Nr) ready when contacting us.
1-800-944-2904
www.bosch-home.com/us/owner-support/contact-us

BSH Home Appliances Corporation
1901 Main Street, Suite 600
Irvine, CA 92614
USA
www.bosch-home.com
1-800-944-2904
© 2023 BSH Home Appliances Corporation



9001914001 (031222)

en-us