

Gas Rangetop

Installation Manual

RGM8058UC, RGM8658UC



BOSCH

Invented for life



Table of Contents

▲ Safety Definitions	2	Technical Data	8
IMPORTANT SAFETY INSTRUCTIONS	3	Installation Checklist	8
Appliance Handling Safety	4	Installation Procedure	8
Safety Codes and Standards	4	Prepare Installation Space	8
Electric Safety	4	Connect Gas Supply	9
Gas Safety	4	Install Appliance	10
Related Equipment Safety	5	Connect Electrical Supply	10
Conversion to Propane Gas	5	Burner Cap Placement	11
High Altitude Installation	5	Check the Installation	12
Before You Begin	6	Test for Gas Leaks	12
Tools and Parts Needed	6	Conversion to Propane Gas (LPG)	13
Parts Included	6	Technical Service	16
Removing Packaging	6	How to Obtain Warranty Service	16
General Information	7	Wiring Diagram for RGM8658UC	17
Cabinet Requirements	7	Wiring Diagram for RGM8058UC	18
Countertop Requirements	7		

▲ Safety Definitions

▲ WARNING

This indicates that death or serious injuries may occur as a result of non-observance of this warning.

▲ CAUTION

This indicates that minor or moderate injuries may occur as a result of non-observance of this warning.

NOTICE: This indicates that damage to the appliance or property may occur as a result of non-compliance with this advisory.

Note: This alerts you to important information and/or tips.



IMPORTANT SAFETY INSTRUCTIONS

READ AND SAVE THESE INSTRUCTIONS

⚠ WARNING: If the information in these instructions is not followed exactly, a fire or explosion may result causing property damage, personal injury or death.

- Do not store or use gasoline or other flammable vapors and liquids in the vicinity of this or any other appliance.
- **WHAT TO DO IF YOU SMELL GAS**
 - Do not try to light any appliance.
 - Do not touch any electrical switch.
 - Do not use any phone in your building.
 - Immediately call your gas supplier from a neighbor's phone. Follow the gas supplier's instructions.
 - If you cannot reach your gas supplier, call the fire department.
- Installation and service must be performed by a qualified installer, service agency or the gas supplier.

IMPORTANT SAFETY INSTRUCTIONS

READ AND SAVE THESE INSTRUCTIONS

IMPORTANT: THE APPLIANCE MUST BE INSTALLED BY A QUALIFIED INSTALLER.

INSTALLER: LEAVE THESE INSTRUCTIONS WITH THE APPLIANCE AFTER INSTALLATION IS COMPLETE.

IMPORTANT: SAVE FOR THE LOCAL INSPECTOR'S USE.

WARNING

If the information in this manual is not followed exactly, fire or shock may result causing property damage or personal injury.

WARNING

Do not repair, replace or remove any part of the appliance unless specifically recommended in the manuals. Improper installation, service or maintenance can cause injury or property damage. Refer to this manual for guidance. All other servicing should be done by an authorized servicer.

Improper installation is not covered by the warranty.

Appliance Handling Safety



Hidden surfaces may have sharp edges. Use caution when reaching behind or under appliance.

Safety Codes and Standards

This appliance complies with one or more of the following Standards:

ANSI Z21.1 / CSA 1.1 Household Cooking Gas Appliances

It is the responsibility of the owner and the installer to determine if additional requirements and/or standards apply to specific installations.

Installation must conform with local codes or, in the absence of local codes, with the National Fuel Gas Code, ANSI Z223.1/NFPA 54 or, in Canada, the Natural Gas and Propane Installation Code, CSA B149.1.

The appliance must be electrically grounded in accordance with local codes or, in the absence of local codes, with the National Electrical Code, NFPA 70 latest edition or, in Canada, the Canadian Electric Code, CSA C22.1-02.

Electric Safety

WARNING

Before you plug in an electrical cord or turn on power supply, make sure all controls are in the OFF position.

Be sure your appliance is properly installed and grounded by a qualified technician. Installation, electrical connections and grounding must comply with all applicable codes.

Before installing, turn power OFF at the service panel. Lock service panel to prevent power from being turned ON accidentally.

For appliances equipped with a cord and plug, do not cut or remove the ground prong. It must be plugged into a matching grounding type receptacle to avoid electrical shock. If there is any doubt as to whether the wall receptacle is properly grounded, the customer should have it checked by a qualified electrician.

Do not use an extension cord.

Do not use an adapter.

If required by the National Electrical Code (or Canadian Electrical Code), this appliance must be installed on a separate branch circuit.

The circuit breaker should have a contact separation of at least 3 mm on all poles.

Installer – show the owner the location of the circuit breaker or fuse. Mark it for easy reference.

Refer to rating label for more information. See "How to Obtain Warranty Service" under "Technical Service" for rating label location.

Gas Safety

Install a gas shutoff valve near the appliance. It must be easily accessible in an emergency.

Leak testing must be conducted by the installer according to the instructions in this manual.

The appliance and its individual shutoff valve must be disconnected from the gas supply piping system during any pressure testing at pressures in excess of ½ psi (3.5 kPa).

The appliance must be isolated from the gas supply piping system by closing its individual manual shutoff valve during any pressure testing of the gas supply piping system at test pressures equal to or less than ½ psi (3.5 kPa).

The minimum supply pressure must be 1" water column above the manifold pressure printed on the rating label. The maximum supply pressure must not exceed 14.0 inches water column (34.9 Millibars).

IMPORTANT SAFETY NOTICE: Burning gas cooking fuel generates some by-products which are on the list of substances which are known by the State of California to cause cancer or reproductive harm. To minimize exposure to these substances, always operate this unit according to the instructions contained in this booklet and provide good ventilation.

IMPORTANT SAFETY INSTRUCTIONS

READ AND SAVE THESE INSTRUCTIONS

Proposition 65 Warning:

This product may contain a chemical known to the State of California, which can cause cancer or reproductive harm. Therefore, the packaging of your product may bear the following label as required by California:

STATE OF CALIFORNIA PROPOSITION 65 WARNING:

 **WARNING**

Cancer and Reproductive Harm - www.P65Warnings.ca.gov

Related Equipment Safety

The appliance should only be used if installed by a qualified technician in accordance with these installation instructions and all applicable regulations and codes. The manufacturer is not responsible for damages resulting from incorrect installation.

Remove all tape and packaging before using the appliance. Destroy the packaging after unpacking the appliance. Never allow children to play with packaging material.

Never modify or alter the construction of the appliance. For example, do not remove leveling legs, panels, wire covers or anti-tip brackets/screws.

To eliminate the risk of burns or fire by reaching over heated surface units, cabinet storage space located above the surface units should be avoided. If cabinet storage is to be provided, the risk can be reduced by installing a hood that projects horizontally a minimum of 5 inches (127 mm) beyond the bottom of the cabinet. Verify that cabinets above the cooktop are a maximum of 13" (330 mm) deep.

When installing a cooktop over a single oven, be sure to follow both the oven's and cooktop's installation manuals.

Ventilation Recommendations

We strongly recommend the installation of a ventilation hood above this appliance. The hood must be installed according to instructions furnished with the hood.

CAUTION

The appliance should not be installed with a ventilation system that blows air downward toward the burners. This type of ventilation system may cause ignition and combustion problems with the gas cooking appliance resulting in personal injury or unintended operation.

Conversion to Propane Gas

WARNING

Personal injury or death from electrical shock may occur if the appliance is not installed by a qualified installer or electrician.

Any additions, changes or conversions required in order for this appliance to satisfactorily meet the application needs must be made by a qualified technician.

WARNING

This conversion kit shall be installed by a qualified service agency in accordance with the manufacturer's instructions and all applicable codes and requirements of the authority having jurisdiction. If the information in these instructions is not followed exactly, a fire, explosion or production of carbon monoxide may result causing property damage, personal injury or loss of life. The qualified service agency is responsible for the proper installation of this kit. The installation is not proper and complete until the operation of the converted appliance is checked as specified in the manufacturer's instructions supplied with the kit.

High Altitude Installation

This appliance has been tested for operation up to an altitude of 10,000 ft (3,048 m) elevation above sea level. If desired, for altitudes above 2,000 ft (610 m) elevation above sea level, adjustments may be made. Burners should be checked at the lowest setting, if the flame is not stable the simmer should be increased until the flame is stable. This can be done by adjusting the bypass screw in the valve. If flame performance is satisfactory, adjustment will not be required. It is required that a Certified Professional make the high altitude adjustments during installation.

Before You Begin

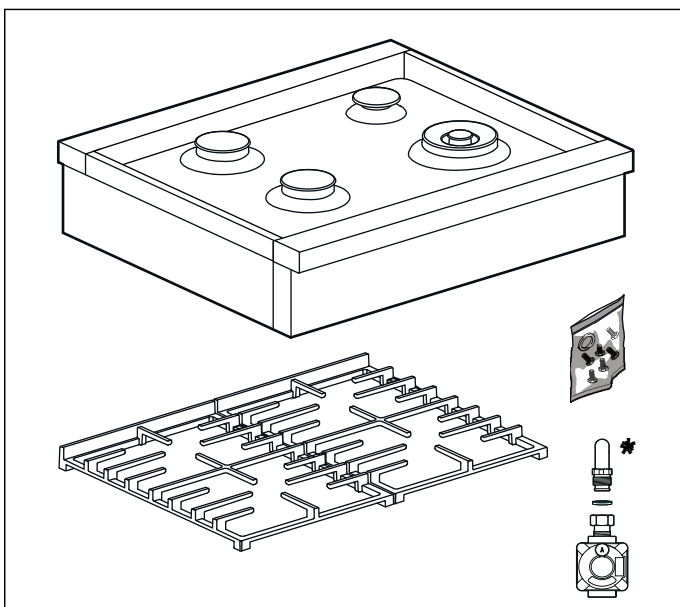
Tools and Parts Needed

- Phillips head screwdriver
- Slotted screwdriver 1/8" (3,5 mm)
- Adjustable wrench
- Tongue and groove pliers
- Pencil
- Tape measure

Note: Additional materials may be necessary for installation in solid surface countertops. Contact the countertop manufacturer.

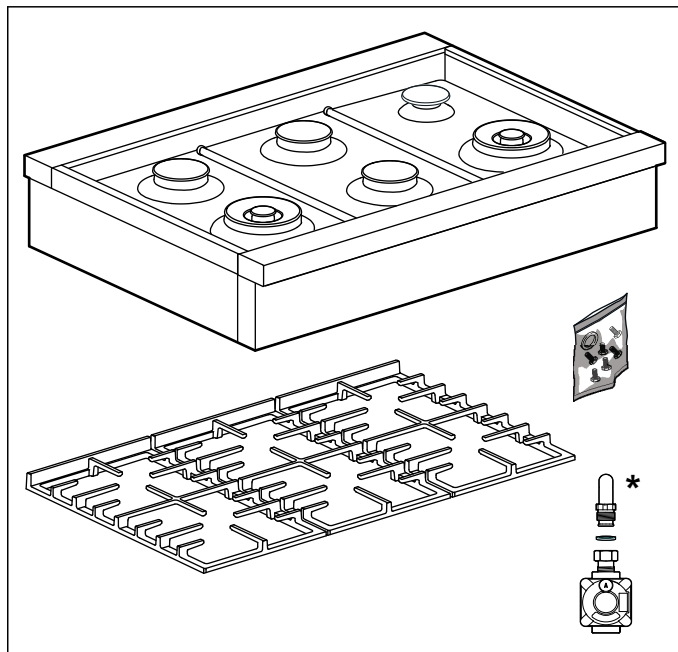
Parts Included

30":



* Attached to the appliance.

36":



* Attached to the appliance.

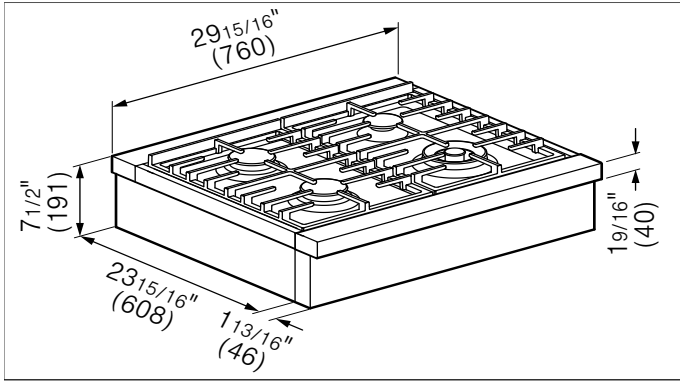
Removing Packaging

See the diagram on the packaging.

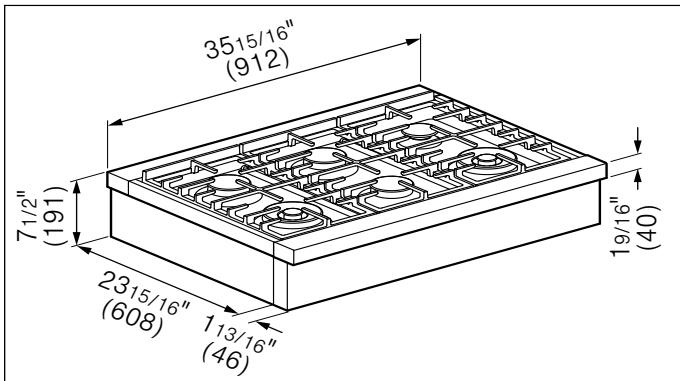
- If straps are present, cut the straps.
- Cut the tape making sure not to cut the unit.
- Lift the cardboard carton from the unit and dispose of.
- Remove the protective cover and the plastic films.

General Information

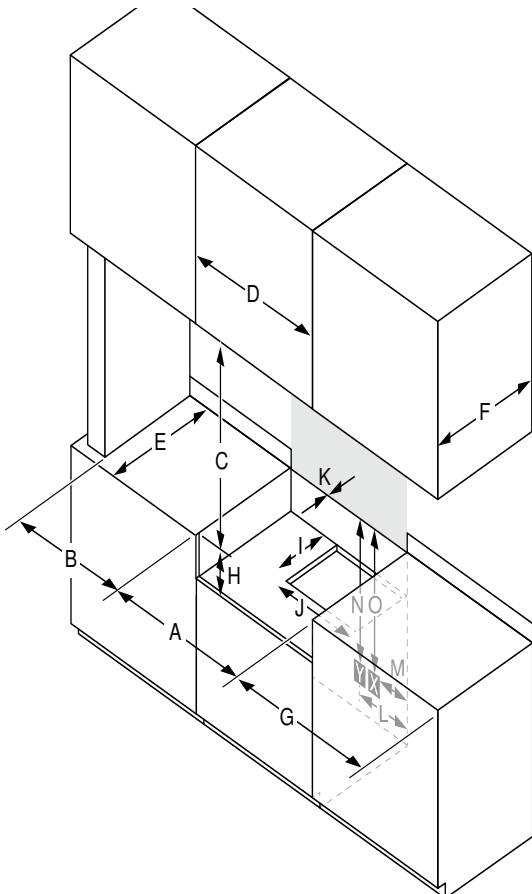
30":



36":



Cabinet Requirements



The minimum spaces that must be maintained when installing the gas cooktop shall be:

- A** 30": minimum 30" (762 mm)
36": minimum 36" (914 mm)
- B** minimum 20" (508 mm)*
- C** minimum 30" (762 mm) clearance between the top of the cooking surface and the bottom of the unprotected wood or metal cabinet
- D** 30": minimum 30" (762 mm)
36": minimum 36" (914 mm)
- E** minimum 24" (610 mm)
- F** maximum 13" (330 mm)
- G** minimum 20" (508 mm)*
- H** 7 3/8" (187 mm)
- I** minimum 4" (102 mm)
- J** minimum 12" (305 mm)
- K** minimum 0" (0 mm)

* Minimum distance is 12" (305 mm), but the total distance, left plus right, must be minimum 40" (1016 mm).

Gas supply line and grounded outlet

X = Gas Supply Line

Y = Grounded Outlet

The positions of the gas supply line and the grounded outlet should be:

- L** 8-12" (203-305 mm)
- M** 2-4" (51-101 mm)
- N** 24-28" (610-711 mm)
- O** 24-28" (610-711 mm)

Countertop Requirements

⚠ WARNING

To reduce the risk of ignition of surrounding combustible materials, install at least 20" (508 mm) from both sidewalls. Minimum distance is 12" (305 mm), but the total distance, left plus right, must be minimum 40" (1016 mm).

The countertop must be level and horizontal. The stability of the countertop must be maintained after the cut-out has been made.

Technical Data

30" (4 burners):

Total connected load, electric	0.001 A 0.1 W
Total connected load, gas (natural gas)	47,000 BTU/h (13.7 kW)
Total connected load, gas (propane gas)	47,000 BTU/h (13.7 kW)

36" (6 burners):

Total connected load, electric	0.001 A 0.1 W
Total connected load, gas (natural gas)	77,000 BTU/h (22.5 kW)
Total connected load, gas (propane gas)	77,000 BTU/h (22.5 kW)

Installation Checklist

Please refer to the pages following for complete installation instructions. Use this checklist to verify that you have completed each step of the installation process. This can help you avoid mistakes.

✓ Installation step

Before installing the cooktop, be sure to verify the cabinet dimensions are correct for your unit and that the required electrical and gas connections are present.

Before installing the cooktop, make sure that any opening in the wall behind the appliance and in the floor under the appliance shall be sealed.

Refer to the installation manual for content regarding Safety, Cabinet Dimensions, Removing Packaging, Electrical Installation, Gas Connection, and Customer Service.

Plug the cooktop into a properly configured receptacle.

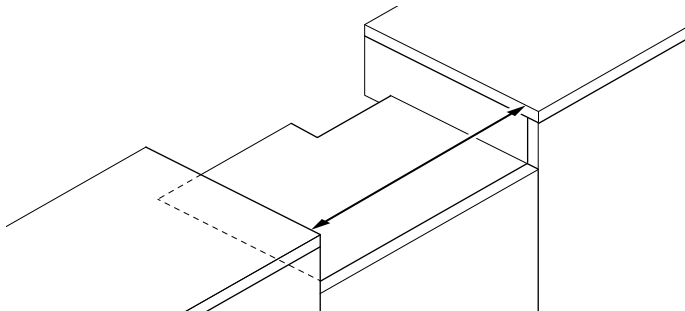
Installation Procedure

An air curtain or other overhead range hood, which operates by blowing a downward airflow onto a range, shall not be used in conjunction with the gas range unless the hood and range have been designed and tested in accordance with ANSI Z21.1 and listed by an independent testing laboratory for combination use.

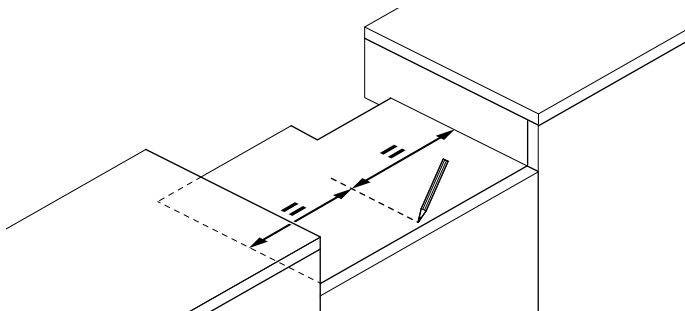
Prepare Installation Space

Installing the Bracket with Recess Depth up to 24"

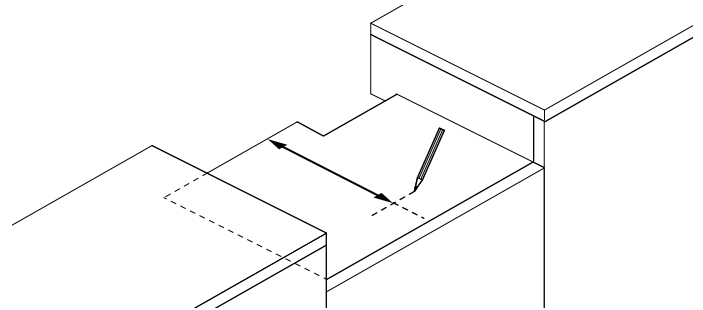
1. Measure the width of the slot for the appliance.



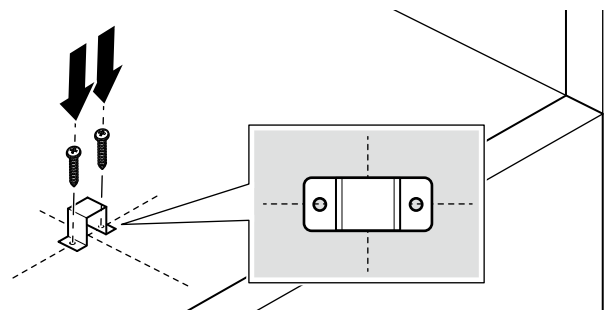
2. Divide the measurement in two and trace the midline on the furniture's floor.



3. Measure from the wall 21" (about 534 mm) and trace a line perpendicular to the midline.



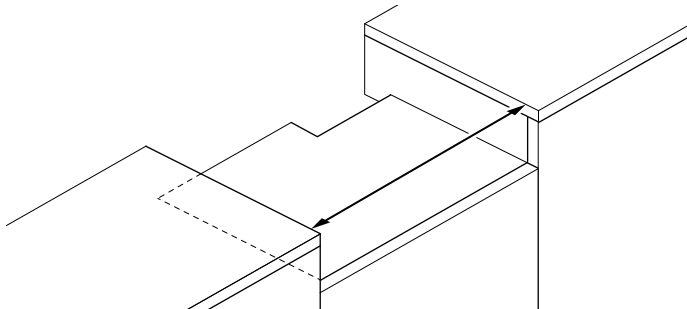
4. Put the bracket approximately as in the figure below, in the middle of the two lines (since it's not necessary to be more precise because the slot in the range top's floor provides enough clearance) and trace the center of the bracket's holes or fix it directly with the screws.



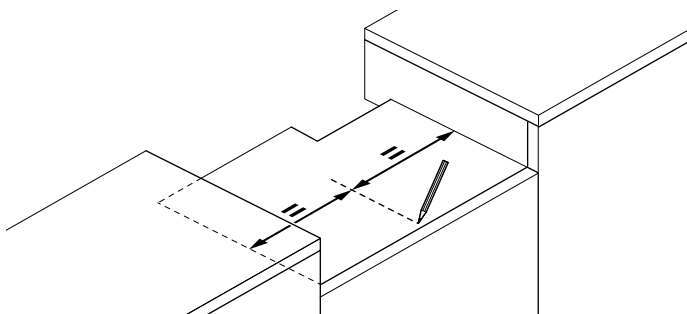
Installing the Bracket with Recess Depth over 24"

If the depth is more than 24" you can choose to install the range top against the wall as in the previous procedure and let the control panel go inside the furniture. Or you can decide to align the control panel with the rear side of the furniture and have a clearance on the back part between the appliance and the wall, so:

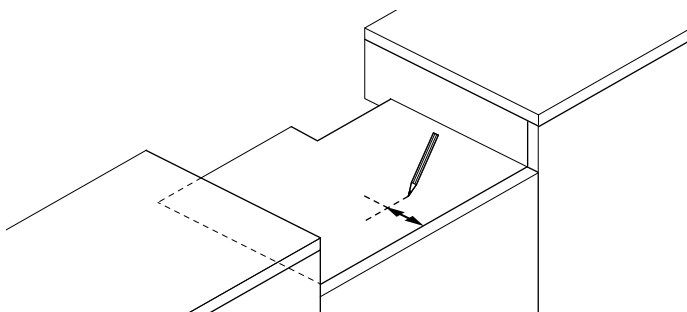
1. Measure the width of the slot for the appliance.



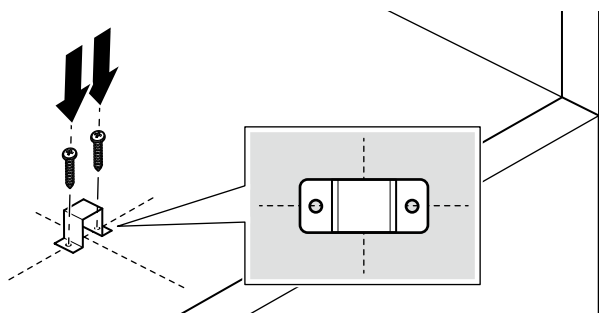
2. Divide the measurement in two and trace the midline on the furniture's floor.



3. Measure from front side of the furniture 3" (about 76 mm) and trace a line perpendicular to the midline.



4. Put the bracket approximately as in the figure below, in the middle of the two lines (since it's not necessary to be more precise because the slot in the range top's floor provides enough clearance) and trace the center of the bracket's holes or fix it directly with the screws.



Connect Gas Supply

The appliance is shipped from the factory for use with natural gas at a pressure of 5" of the water column. When checking for proper operation of the regulator, the inlet pressure must be at least 1" greater than the operating (manifold) pressure above. When used with natural gas, the pressure supplied to the regulator must be between 6" and 10,5" of the water column.

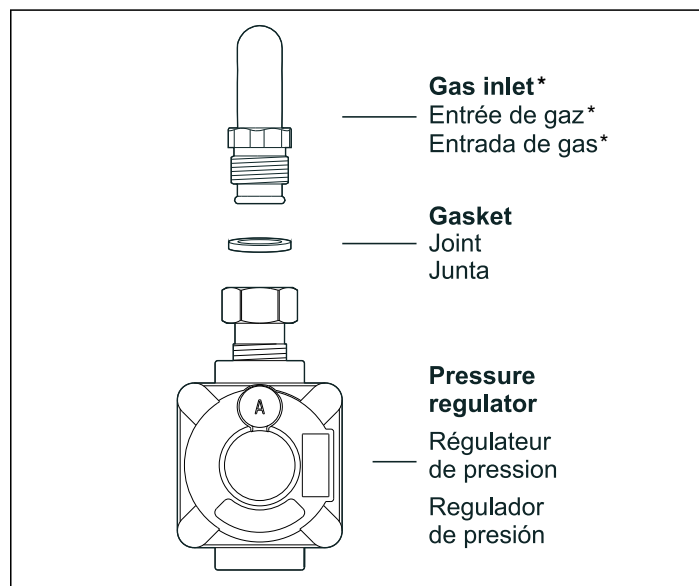
To convert the appliance to propane gas see "Conversion to propane gas (LPG)". A qualified technician or installer must do the conversion.

The gas inlet to the unit is located at the right rear of the appliance.

Install the pressure regulator (supplied with unit) to gas inlet. Position the gasket (supplied with unit) in between the inlet and the regulator. Position the regulator to have it cap D (→ Page 15) easily accessible. Turn the nut on gas inlet to hand tighten plus 1/3 turn.

Install the gas pipe to the regulator using Teflon tape or pipe-joint compound (resistant to propane gas and natural gas). Turn to hand tighten plus 1/3 turn. Do not exceed 1 turn for alignment, to prevent possible damage to the gas pressure regulator.

Check inlet fittings and regulator for leaks.

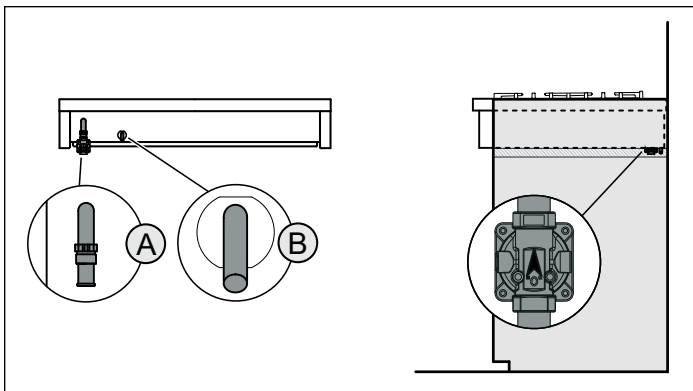


* Attached to the appliance.

⚠ WARNING

Do not attempt any adjustment of the pressure regulator, except when converting to propane. Adjustments could lead to leaks or cause incorrect gas pressure to the appliance.

Side and Back View Gas Rangetop Installation



Gas Location

- A** Gas connection
- B** Electrical connection

Connect the gas supply line to the unit pressure regulator using a 1/2" flex gas line connector between manual shut-off valve and pressure regulator. A metal flex line or fixed metal pipe shall be used to connect gas to the appliance. If a metal gas line cannot be used, consult your local certified electrician or local electric codes for proper grounding.

Check supply line connections for leaks using a soap solution or non-corrosive leak detection fluid. Do not use a flame of any sort.

▲ WARNING

Install a gas shut off valve near the appliance. After installation, it must be easily accessible in an emergency.

1. Turn on gas.
2. Apply a soap solution or non-corrosive leak detection fluid to all joints and fittings in the gas connection between the shut-off valve and the cooktop. Include gas fittings and joints in the cooktop if connections may have been disturbed during installation. Bubbles appearing around fittings and connections indicate a leak.
3. If a leak appears, turn off supply line gas shut-off valve and tighten connections.
4. Retest for leaks by turning on the supply line gas shut-off valve. When leak check is complete (no bubbles appear), test is complete.
5. Wipe off all soap solution or detection fluid residue.

Important Notes for Gas Connection:

- The appliance and its individual gas shutoff valve must be disconnected from the gas supply piping system during any pressure testing of that system at test pressures in excess of 1/2 psi (3.5kPa).
- The appliance must be isolated from the gas supply piping system by closing its individual manual shut-off valve during any pressure testing of the gas supply piping system at test pressures equal to or less than 1/2 psi (3.5kPa).

Install Appliance

▲ WARNING

Before you plug in an electrical cord or turn on power supply, make sure all controls are in the OFF position.

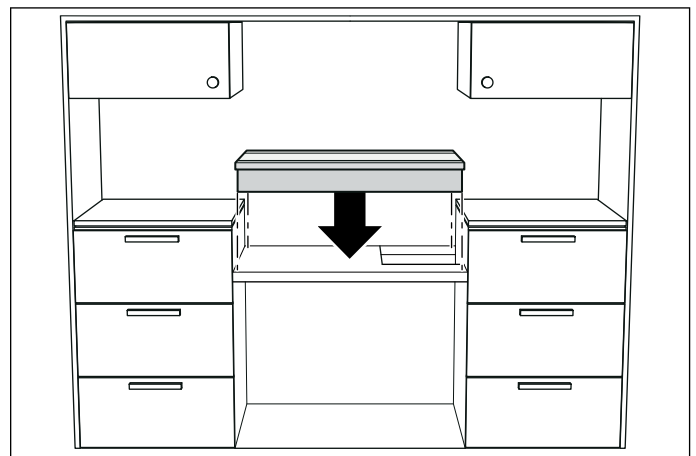
▲ WARNING

Do not contact exposed regulator while placing appliance in cabinetry.

Notes

- The appliance must sit securely in the cut-out and must not be able to move around (e.g. during cleaning).
- To help prevent cosmetic damage place plastic shipping cover back over appliance prior to loading into cabinetry.
- If additional construction is nearby the plastic shipping cover can be used to preserve cosmetic finish.

Install the range top pushing it to the back wall.



Connect Electrical Supply

The 120 V power cord is installed on gas rangetop. Plug the power cord into a standard 120 V wall outlet.

▲ WARNING

ELECTRICAL GROUNDING INSTRUCTIONS

This appliance is equipped with a three-prong grounding plug to protect you against the risk of shocks and it should be plugged directly into a properly grounded receptacle. Do not cut or remove the grounding prong from this plug.

Burner Cap Placement

Sealed burners

Your new cooktop has sealed gas burners. There are no burner parts under the cooktop to clean, disassemble or adjust. Your cooktop has three different burner sizes: small, large and dual-flame.

⚠ WARNING

To prevent flare-ups, do not use the cooktop without all burner caps and all burner grates properly positioned.

⚠ WARNING

To prevent burns, do not touch burner caps or grates while hot. Turn the cooktop off and allow the burners to cool.

The burner parts must be correctly positioned for the cooktop to function properly. If the burner parts are not correctly positioned, one or more of the following problems may occur:

- Burner flames are too high.
- Flames shoot out of burners.
- Burners do not ignite.
- Burner flames light unevenly.
- Burner emits gas odor.

Burner Cap and Burner Base Placement

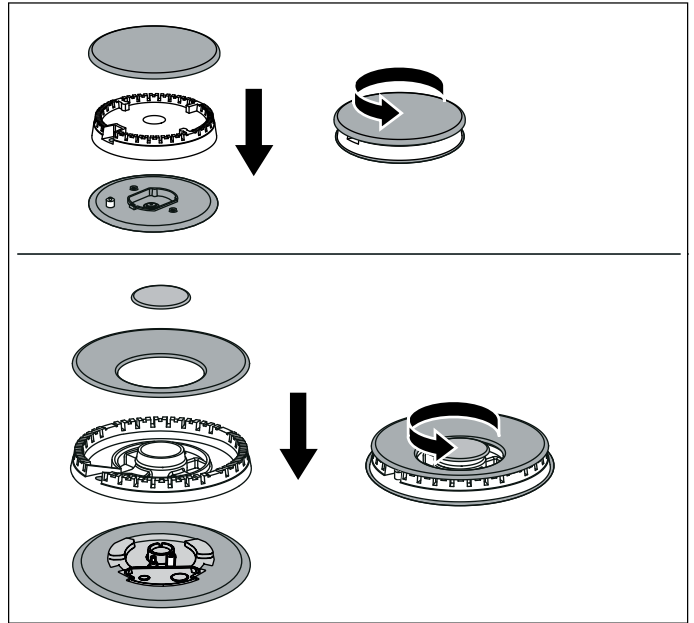
After electrical connection is complete, place each burner base on the corresponding location on the cooktop. One of the three bars on the burner base should line up with the notch and prevent the base from rotating. The small hole or cutout near the edge should also line up with the igniter. Pay special attention to avoid damaging the igniter during installation of the base. See Illustration below.

Once each base is located and resting evenly, place each burner cap on its correct burner base. See Illustration.

Place burner cap gently on top of base so that the prongs of the burner base fit snugly into the groove of the burner cap.

If the maintop is removed by a certified installer (for example to check electrical or piping connection) the

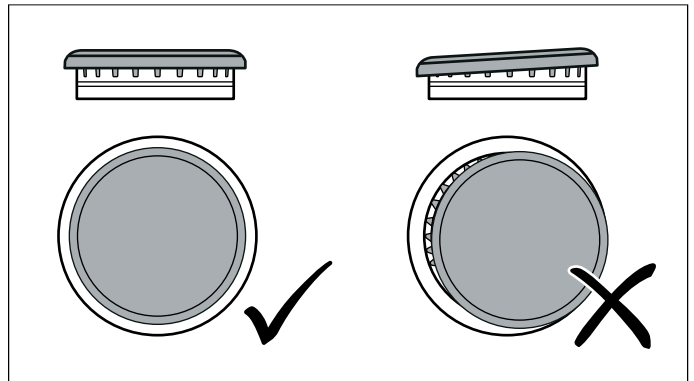
panhead screws that were removed must be re-installed to ensure proper functionality of burners.



Checking Burner Cap Placement

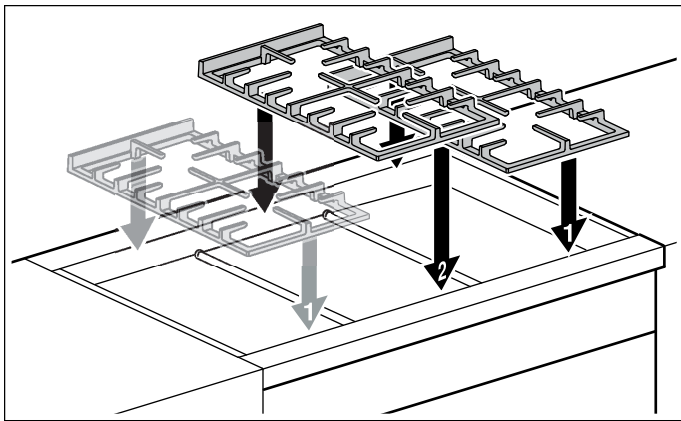
Check to make sure that there is no gap between the burner cap and burner base. See illustration below for correct and incorrect placements of the burner cap.

You may gently try to move the burner cap from side to side to check if it is properly placed. If properly placed, the cap will click from side to side as the prongs hit the groove ridge.



Install Grates

First position the outer grates, followed by the the central grate. If you only have two grates, the order in which you position them is not relevant.



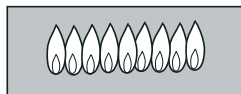
Check the Installation

Place each correct-sized burner cap in its seated, notched position and check the operation of the electric igniters. Check the flame characteristics. The flame should be blue with a minimal yellow tip on the outer cone of the flames.

Checking the flame characteristics

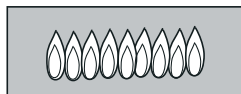
Yellow flames:

Further adjustment is required.



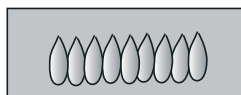
Yellow tips on outer cones:

Normal for propane gas



Soft blue flames:

Normal for natural gas



Orange flames:

Can be normal if certain types of humidifiers are used in the home. Flames should return to blue without the humidifier running.

Note: If the flame is completely or mostly yellow, verify that the regulator is set for the correct fuel. Retest after adjustment.

Some yellow streaking is normal during the initial start-up. Allow the appliance to operate for 4–5 minutes and reevaluate before making adjustments.

Test for Gas Leaks

▲ WARNING

RISK OF FIRE

Never check for gas leaks with a flame.

Leak testing is to be conducted by the installer according to the instructions given in this section.

1. Turn on gas.
2. Apply a non-corrosive leak detection fluid. Include all joints and fittings between the shutoff valve and the appliance. Include gas fittings and joints in the appliance if connections may have been disturbed during installation.
3. Inspect for leaks. Bubbles appearing around fittings and connections indicate a leak.
4. If a leak appears, turn off supply line gas shutoff valve and tighten connections.
5. Retest for leaks. Turn gas back on at supply line shutoff valve and reapply leak detection fluid.
6. When no bubbles appear, test is complete. Wipe off all detection fluid residue.

Conversion to Propane Gas (LPG)

Always provide adequate gas supply.

This appliance is shipped from the factory for use with natural gas. Use this kit to convert the appliance for propane gas use if necessary. Observe the following: Ensure that the range is converted for use with the appropriate gas before using it.

This appliance is designed to operate at a pressure of 10" of the water column when used with propane gas. When checking for proper operation of the regulator, the inlet pressure must be at least 1" greater than the operating (manifold) pressure above. When converting for propane gas use, the pressure supplied to the regulator must be between 11" and 13" of the water column.

The pressure regulator that is located in the inlet of the range manifold must remain in the supply line.

Use a flexible metal appliance connector or rigid pipe to connect the range to the gas supply. The connector should have an inner diameter of 1/2" and be 5 ft (1.5 m) or less in length. (Exception: Maximum connector length in Massachusetts installations is 3 ft (0.9 m)). In Canada, the connector must be single-wall metal and not longer than 6 ft (1.8 m).

Save the orifices removed from the appliance for future use.

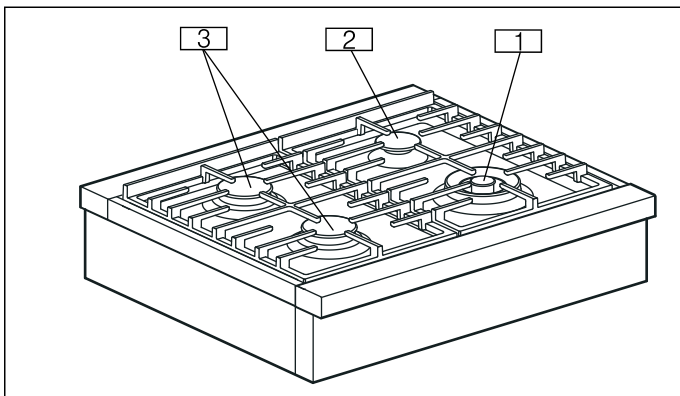
⚠ CAUTION

The gas supply shall be shut off prior to disconnecting the electrical power, before proceeding with the conversion.

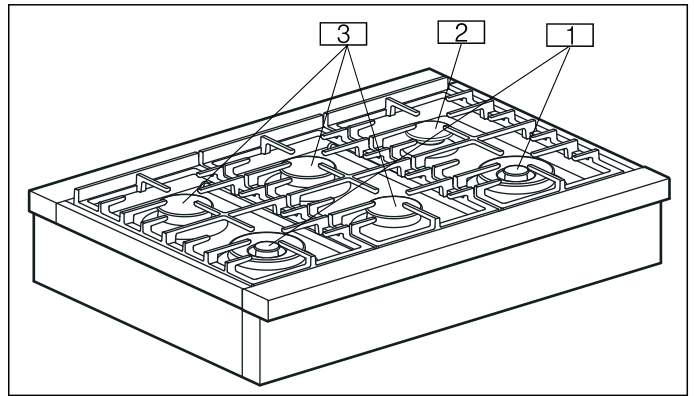
Parts included with propane gas nozzle set:

- 2x nozzle number 117
- 2x nozzle number 48
- 3x nozzle number 102
- 1x nozzle number 65
- 1x adhesive label

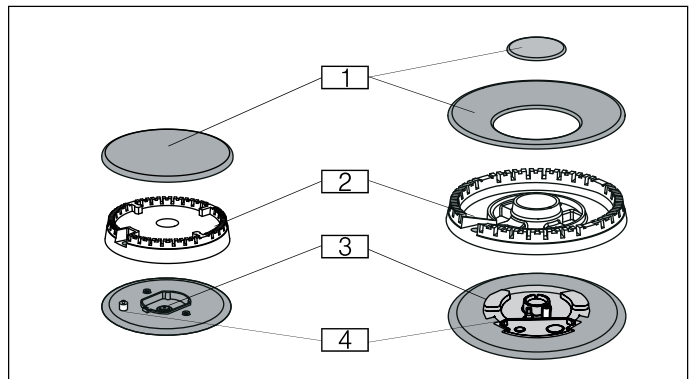
30"



36"



No.	Designation
1	Dual-flame burner (18,000 BTU/ 5.3 kW) LPG nozzles: 117 (external) and 48 (internal)
2	Small burner (5,000 BTU/ 1.5 kW) OptiSim® feature LPG nozzle: 65
3	Large burner (12,000 BTU/ 3.5 kW) LPG nozzle: 102



No.	Designation
1	Burner caps
2	Flame-spreader crowns
3	Thermocouples
4	Igniters

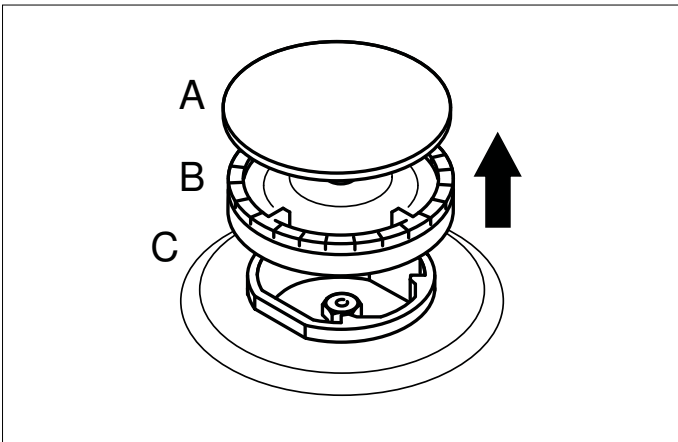
Make sure that the holes of the flame-spreader crowns are aligned with the thermocouples (3) and igniters (4).

Orifices

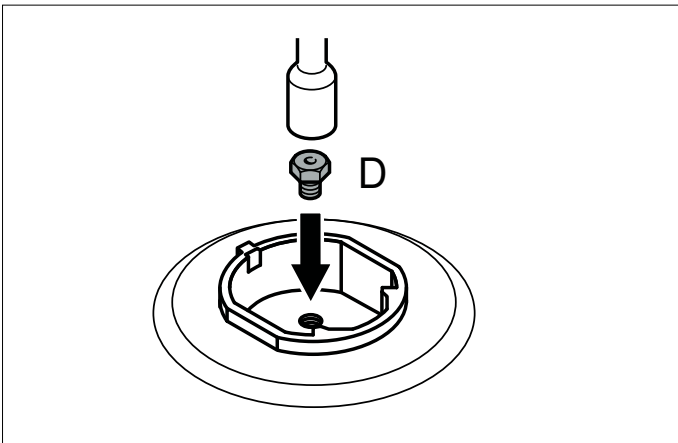
Type of gas	Pressure in W.C.P.	Burner Type	Nozzle Number	Bypass	Min Power	Max Power
Natural gas	5"	Dual-flame burner external	180 (S4)	Gap	1000 BTU (0.3 kW)	18000 BTU (5.3 kW)
		Dual-flame burner internal	75	Gap		
		Large burner	152	Gap	2400 BTU (0.7 kW)	12000 BTU (3.5 kW)
		Small burner	100	Gap	1000 BTU (0.3 kW)	5000 BTU (1.5 kW)
Liquid gas	10"	Dual-flame burner external	117	55	1000 BTU (0.3 kW)	18000 BTU (5.3 kW)
		Dual-flame burner internal	48	30		
		Large burner	102	45	2400 BTU (0.7 kW)	12000 BTU (3.5 kW)
		Small burner	65	30	1000 BTU (0.3 kW)	5000 BTU (1.5 kW)

Replacing the main control nozzles

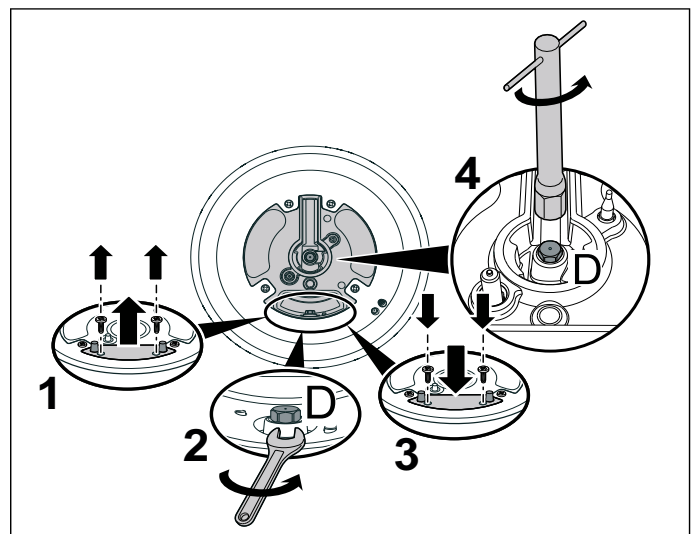
1. Remove the grates.
2. Remove the burner cover **A** and burner cup **B** from the burner **C**.



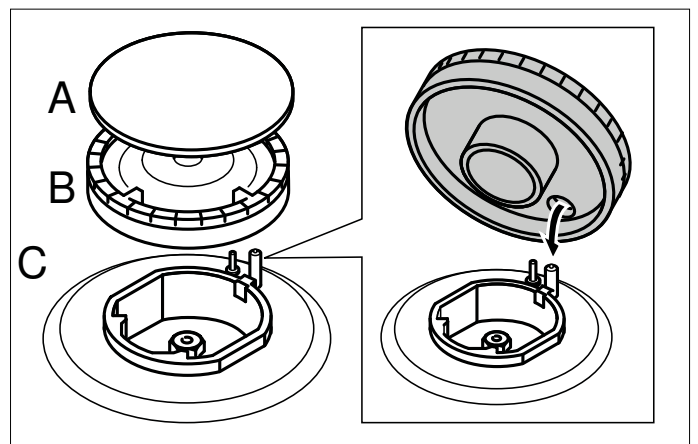
3. Remove the nozzle **D** and replace it with an appropriate nozzle for the new type of gas.
Standard-output burner/high-output burner



Double-ring high-output burner



4. Place the burner cup **B** onto the burner **C** and place the burner cover **A** onto the burner cup **B**.

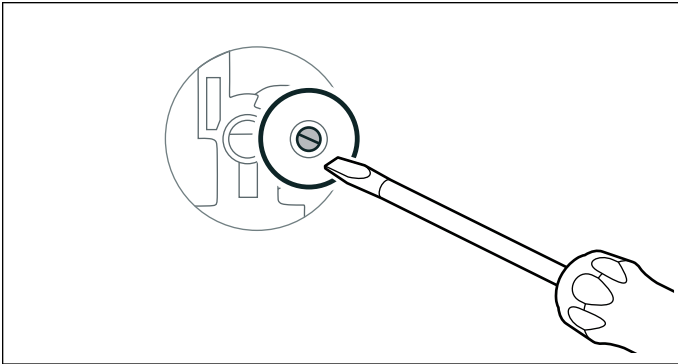


5. Refit the grates.

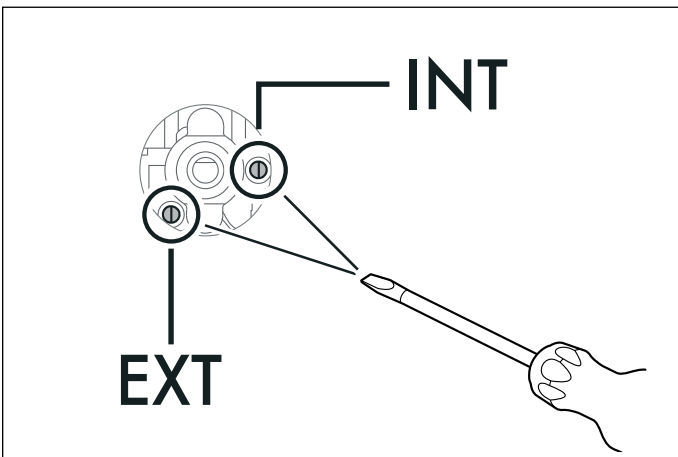
Setting the minimum gas flow

1. Remove the control knob and knob ring.
2. Turn the inner setting screw clockwise gently until it bottoms out.

Small burner/large burner



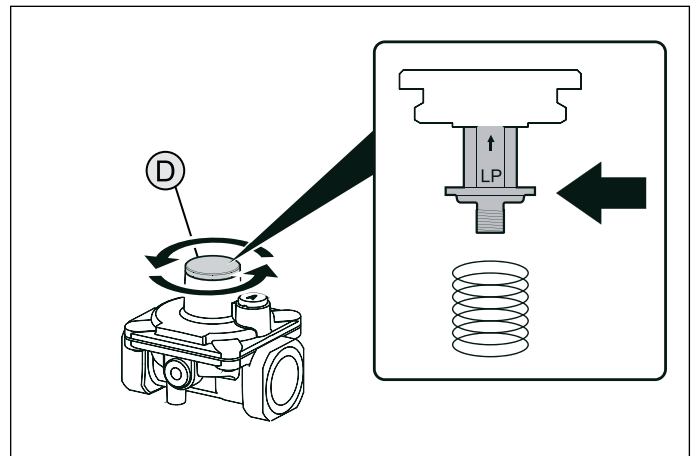
Dual-flame burner:



3. Replace the control knobs.
4. Light each burner individually and check for flame stability on low setting.
5. If required, loosen the setting screw to increase the gas flow.
6. Ensure that the flame does not go out when the gas flow is quickly changed between maximum and minimum, and vice versa. The optimum setting is achieved when the height of the small flame is approx. 1/8" (3 to 4 mm).
7. Refit the control knob and knob ring for the gas burner.
8. Repeat steps 2 to 8 until all of the gas burners have been set.
9. Connect the appliance to the power supply.

Setting the pressure regulator for propane gas

1. Use tongue and groove pliers to remove regulator cap **D**.
2. Unscrew the plastic regulator stem from the regulator cap **D**.
3. Invert the plastic regulator stem and screw it in tightly.



4. Replace cover cap **D** and tighten with tongue & groove pliers.
5. When converting for propane gas use, the pressure supplied to the regulator must be between 11" and 13" of the water column.

Checking functions after the conversion:

The flames must not go out when switching over swiftly from the high to the low setting.

Note: Stick the adhesive label included with the nozzle set over the rating plate of the appliance to document the changeover to a different gas type.

Test for Gas Leaks

After the conversion it is important to verify the leakages.
→ Page 12

Conversion to natural gas

This appliance is shipped from the factory for use with natural gas. If the appliance has been converted to propane gas before, you have to convert it to natural gas again.

Check the orifices for the right nozzles and, if required, replace them. See "Replacing the main control nozzles".

Adjust the minimum gas flow. See "Setting the minimum gas flow". The optimum setting is achieved when the height of the small flame is approx. 1/8" (3 to 4 mm).

Set the pressure regulator for natural gas. Turn the spring plate the other way around as shown in "Setting the pressure regulator for propane gas".

Save the orifices removed from the appliance for future use.

Technical Service

Contact our Technical Service Department if your appliance needs repair. Our Customer Service (see below) will be happy to supply you with details how to obtain a service repair.

How to Obtain Warranty Service

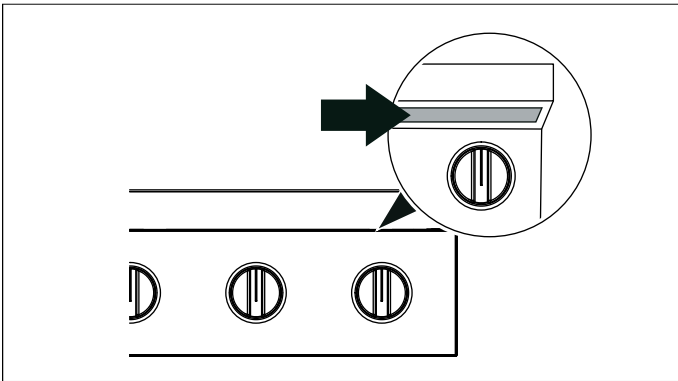
To obtain warranty service for your Product, you should contact Bosch Customer Service at 1-800-944-2904 to schedule a repair.

Model (E) number and FD number

When you contact our service, please have the Model (E) number and the FD number for your appliance available.

You can find this information on the rating label

- on the back side of the appliance
- on the underside of the projecting control panel



Questions? Please contact us. We look forward to hearing from you.

800-944-2904

www.bosch-home.com

1901 Main Street, Suite 600
Irvine, CA 92614

Wiring Diagram for RGM8658UC

⚠ WARNING

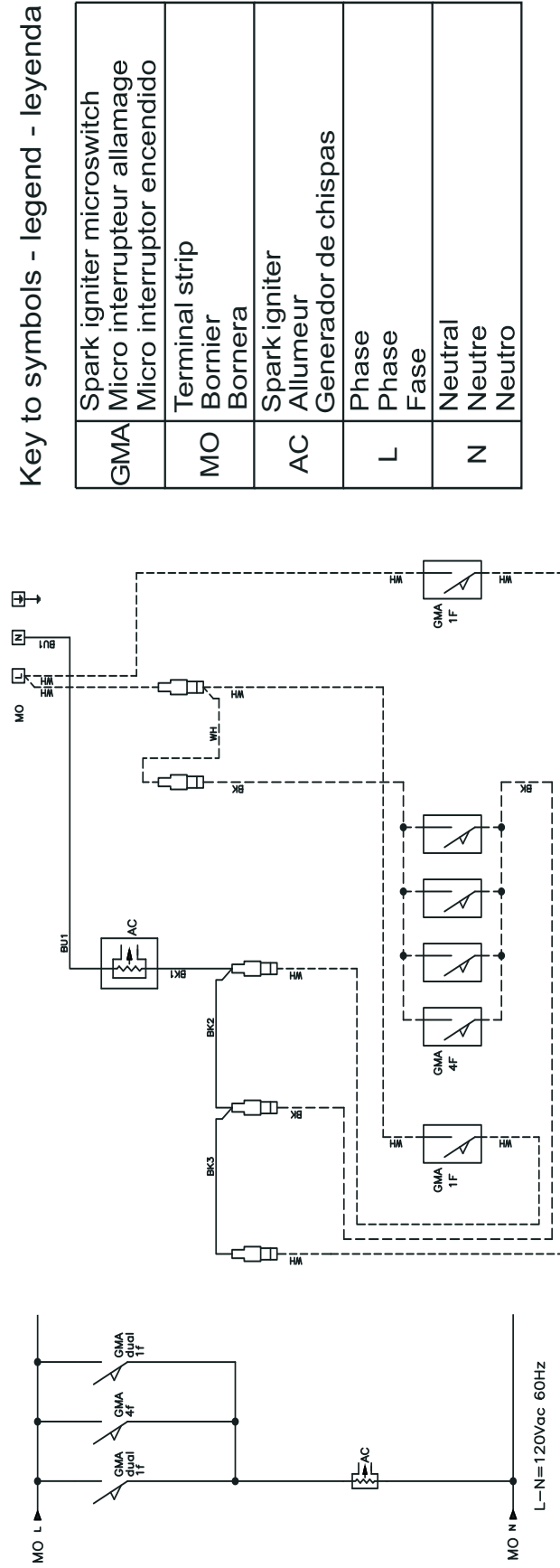
When servicing the controls, label all wires prior to disconnection. Wiring errors can cause improper and dangerous operation: Verify proper operation after servicing.

⚠ AVERTISSEMENT

Étiquetez les fils avant de déconnecter pour les contrôles de service. Une erreur dans le filage peut provoquer des opérations dangereuses et incorrectes. Vérifiez la conformité de l'opération après un entretien.

⚠ ADVERTENCIA

Marcar todos los cables antes de desconectar, al realizar el mantenimiento de los mandos. Los errores de conexión pueden causar boperaciones inadecuadas y peligrosas. Comprobar el funcionamiento correcto después del mantenimiento.



Wiring Diagram for RGM8058UC

⚠ WARNING

When servicing the controls, label all wires prior to disconnection. Wiring errors can cause improper and dangerous operation: Verify proper operation after servicing.

⚠ AVERTISSEMENT

Étiquetez les fils avant de déconnecter pour les contrôles de service. Une erreur dans le filage peut provoquer des opérations dangereuses et incorrectes. Vérifiez la conformité de l'opération après un entretien.

⚠ ADVERTENCIA

Marcar todos los cables antes de desconectar, al realizar el mantenimiento de los mandos. Los errores de conexión pueden causar boperaciones inadecuadas y peligrosas. Comprobar el funcionamiento correcto después del mantenimiento.

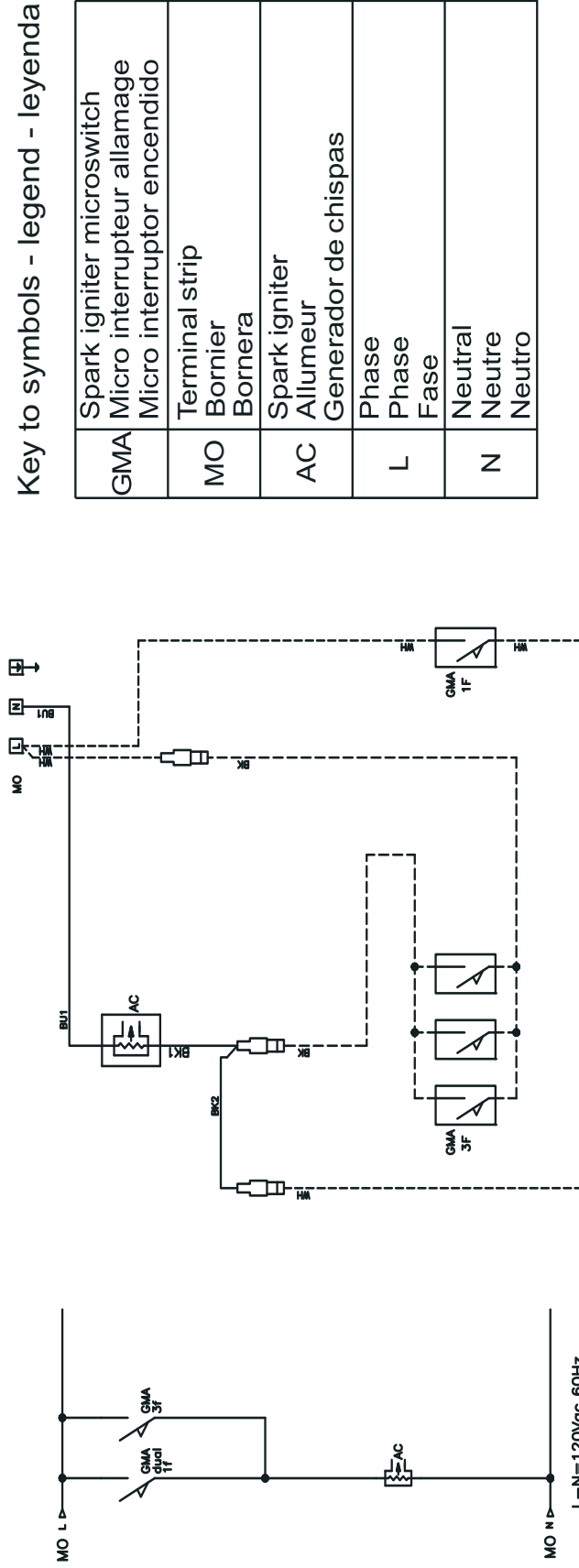


Table des matières

▲ Définitions de sécurité	19	Caractéristiques techniques	26
CONSIGNES DE SÉCURITÉ IMPORTANTES	20	Liste de contrôle pour l'installation	26
Sécurité de manutention des appareils	21	Procédure d'installation	26
Codes et normes de sécurité	21	Préparation des meubles	26
Sécurité électrique	21	Branchement du gaz	27
Sécurité en matière de gaz	21	Pose de l'appareil	28
Équipement de sécurité	22	Brancher l'alimentation électrique	29
Conversion gaz au propane	22	Montage des chapeaux de brûleur	29
Installation à altitude élevée	23	Vérification de l'installation	30
Avant de commencer	24	Test pour fuites de gaz	30
Outils et pièces nécessaires	24	Conversion gaz au propane (LPG)	31
Pièces comprises	24	Service technique	35
Pour enlever l'emballage	24	Comment bénéficier du service de garantie	35
Informations générales	25	Schéma de câblage pour RGM8658UC	36
Exigences pour les placards	25	Schéma de câblage pour RGM8058UC	37
Exigences pour le plan de travail	25		

▲ Définitions de sécurité

▲ AVERTISSEMENT

Ceci indique que le non-respect de cet avertissement peut entraîner des blessures graves, voire la mort.

▲ ATTENTION

Ceci indique que le non-respect de cet avertissement peut entraîner des blessures légères ou de gravité moyenne.

AVIS : Ceci indique que la non-conformité à cet avis de sécurité peut entraîner des dégâts matériels ou endommager l'appareil.

Remarque : Ceci vous signale des informations et/ou indications importantes.



CONSIGNES DE SÉCURITÉ IMPORTANTES

LIRE ET CONSERVER CES INSTRUCTIONS

⚠ AVERTISSEMENT : Si les directives ne sont pas suivies à la lettre, il y a un risque d'incendie ou d'explosion pouvant entraîner des dommages matériels, des blessures ou un décès.

- Ne pas conserver ou utiliser de l'essence ou d'autres liquides ou vapeurs inflammables à proximité de cet appareil ou de tout autre appareil.
- **QUE FAIRE SI VOUS PERCEVEZ UNE ODEUR DE GAZ**
 - Ne pas essayer de mettre un appareil sous tension.
 - Ne pas toucher d'interrupteur de courant électrique.
 - Ne pas utiliser de téléphones dans l'édifice.
 - Communiquer immédiatement avec le fournisseur de gaz depuis l'appareil téléphonique d'un voisin. Respecter les directives du fournisseur de gaz.
 - S'il s'avère impossible de joindre le fournisseur de gaz, communiquer avec les pompiers.
- Utiliser les services d'un installateur ou d'une agence de services qualifiés ou le fournisseur de gaz pour procéder à l'installation et aux réparations.

CONSIGNES DE SÉCURITÉ IMPORTANTES

LIRE ET CONSERVER CES INSTRUCTIONS

IMPORTANT : IL FAUT FAIRE POSER L'APPAREIL PAR UN INSTALLATEUR QUALIFIÉ.

INSTALLATEUR : LAISSEZ CES INSTRUCTIONS AVEC L'APPAREIL APRÈS UNE FOIS L'INSTALLATION TERMINÉE. IMPORTANT : À CONSERVER POUR L'USAGE DE L'INSPECTEUR LOCAL.

AVERTISSEMENT

Si l'information de ce guide n'est pas suivie exactement, il peut en résulter un incendie ou un choc électrique causant des dommages à la propriété, des blessures ou la mort.

AVERTISSEMENT

Ne réparez, remplacez, ni ne retirez aucune partie de l'appareil, excepté si les manuels recommandent de le faire. Une installation, un entretien ou une inspection incorrects peuvent occasionner des blessures ou des dommages matériels. Reportez-vous au présent manuel pour obtenir des indications. Toute autre intervention doit être effectuée par un technicien agréé.

La garantie ne couvre pas une mauvaise installation.

Sécurité de manutention des appareils



Certaines surfaces peuvent avoir des bords tranchants. Faire attention en étendant le bras derrière l'appareil ou en dessous.

Codes et normes de sécurité

Cet appareil est conforme à une ou plusieurs des normes suivantes :

ANSI Z21.1/CSA 1.1, appareils électroménagers pour la cuisson à gaz

Il incombe au propriétaire et à l'installateur de déterminer si des exigences et/ou normes additionnelles s'appliquent pour des installations spécifiques.

L'installation doit être conforme aux codes locaux ou, en l'absence de tels codes, au National Fuel Gas Code ANSI Z223.1/NFPA 54 ou, au Canada, au code national CSA B149.1 d'installation du gaz naturel et du propane.

L'appareil doit être mis à la terre en conformité aux codes locaux, ou en l'absence de tels codes, à la dernière version du National Electric Code NFPA 70 ou, au Canada, au code canadien de l'électricité CSA C22.1-02.

Sécurité électrique

AVERTISSEMENT

Avant tout raccordement de cordon électrique ou toute mise sous tension, assurez-vous que toutes les commandes sont en position OFF (d'arrêt).

S'assurer que l'appareil est installé et mis à la terre par un technicien qualifié. L'installation, les connexions électriques et la mise à la terre doivent être conformes à tous les codes applicables.

Avant l'installation, mettre l'appareil hors service au panneau de service. Verrouiller le panneau d'entrée d'électricité pour éviter que le courant ne soit accidentellement rétabli.

Pour les appareils dotés d'un cordon et d'une fiche, ne pas couper ou enlever la broche de mise à la terre. Le cordon doit être branché dans une prise de courant adaptée de type mise à la terre pour éviter tout risque d'électrocution. S'il y a un doute en ce qui concerne la mise à la terre de la prise murale, le client devra s'adresser à un électricien qualifié.

N'utilisez pas de rallonge.

N'utilisez pas d'adaptateur.

S'il y a lieu, conformément au Code national de l'électricité (ou au Code canadien de l'électricité), cet appareil doit être installé sur un circuit de dérivation séparé.

Le disjoncteur doit avoir une séparation de contact de 3 mm. minimum pour tous les pôles.

Installateur – Indiquer au propriétaire l'emplacement du disjoncteur ou du fusible. Identifier sa position pour pouvoir le retrouver facilement.

Consultez la plaque signalétique pour de plus amples renseignements. Voir « Comment obtenir une garantie » dans « Service technique » pour connaître l'emplacement de l'étiquette signalétique.

Sécurité en matière de gaz

Installer un robinet d'arrêt de gaz à proximité de l'appareil. Celui-ci doit être facilement accessible en cas d'urgence.

Les essais d'étanchéité doivent être effectués par l'installateur conformément aux instructions du présent manuel.

L'appareil et le robinet individuel de fermeture à commande manuelle dont il est muni doivent être déconnectés du système de canalisations de gaz lors de tout contrôle de pression où la pression d'essai est supérieure à ½ psi (3,5 kPa).

L'appareil doit être isolé du système de canalisations de gaz en fermant le robinet individuel de fermeture à commande manuelle dont il est muni pendant tout contrôle de pression du système de canalisations de gaz à des pressions d'essai inférieures ou égales à ½ psi (3,5 kPa).

La pression minimale d'alimentation doit être de 1 po CE au-dessus de la pression du distributeur, tel qu'indiqué

CONSIGNES DE SÉCURITÉ IMPORTANTES

LIRE ET CONSERVER CES INSTRUCTIONS

sur la plaque signalétique.

La pression maximale d'alimentation ne pas dépasser 14 po CE (34,9 millibars).

AVIS DE SÉCURITÉ IMPORTANT : l'incinération de combustible gazeux de cuisson peut générer des sous-produits qui figurent sur la liste des substances reconnues par l'État de Californie comme étant cancérigènes ou nuisibles à la reproduction. Pour minimiser l'exposition à ces substances, toujours faire fonctionner cet appareil conformément aux instructions contenues dans cette brochure et assurer une bonne ventilation.

Avertissement issu de la proposition 65 :

Ce produit pourrait contenir un produit chimique reconnu par l'État de la Californie comme cancérigène ou ayant des effets nocifs sur la reproduction. Par conséquent, l'emballage de votre produit pourrait porter l'étiquette suivante, comme requis par la Californie :

AVERTISSEMENT ISSUE DE LA PROPOSITION 65 DE L'ÉTAT DE LA CALIFORNIE :

 **AVERTISSEMENT**

Cancer et dommages à la reproduction

www.P65Warnings.ca.gov

Équipement de sécurité

L'appareil ne doit être utilisé que s'il est installé par un technicien qualifié conformément à ces instructions d'installation et à tous les règlements et codes. Le fabricant n'est pas responsable des dommages résultant d'une installation incorrecte.

Enlever le ruban adhésif et l'emballage avant d'utiliser l'appareil. Détruire l'emballage après avoir déballé l'appareil. Ne jamais laisser les enfants jouer avec les matériaux de conditionnement.

Ne jamais modifier ni altérer la configuration de l'appareil. Par exemple, ne pas retirer les pieds de nivellement, les panneaux, les couvercles de câblage ou les fixations/vis antibasculement.

Pour éliminer le risque de brûlures ou d'incendie lorsque l'on allonge le bras au-dessus des éléments de surface chauds, éviter d'installer des placards au-dessus des éléments de surface. Si l'installation de placards est prévue, le risque peut être réduit en installant une hotte aspirante qui dépasse horizontalement d'au moins 5 po (127 mm) la base du placard.

Vérifiez que la profondeur des armoires situées au-dessus de la table de cuisson ne dépasse pas 13 po (330 mm).

Lors de l'installation de la table de cuisson sur un four simple, prendre bien soin de suivre les instructions des manuels d'installation du four et de la table de cuisson.

Recommandations sur la ventilation

Il est vivement recommandé d'installer une hotte aspirante au-dessus de cet appareil. La hotte aspirante doit être installée conformément aux instructions qui l'accompagnent.

ATTENTION

L'appareil ne devrait pas être installé avec un système de ventilation qui souffle l'air vers les brûleurs. Ce type de système de ventilation peut causer des problèmes d'allumage et de combustion avec l'appareil de cuisson au gaz et pourrait provoquer des blessures ou nuire au fonctionnement normal.

Conversion gaz au propane

AVERTISSEMENT

Si l'appareil n'est pas installée par un installateur ou un électricien qualifié, des blessures corporelles ou la mort par électrocution peuvent survenir.

Tous les ajouts, modifications ou conversions nécessaires pour que cet appareil réponde de manière satisfaisante aux besoins de l'application doivent être effectués par un technicien qualifié.

AVERTISSEMENT

Cette trousse de conversion doit être installée par une agence de réparation qualifiée en conformité aux directives du fabricant et de tous les autres codes et toutes les exigences en vigueur de l'autorité ayant juridiction. Si les directives ne sont pas suivies à la lettre, il y a un risque d'incendie, d'explosion ou de génération de monoxyde de carbone pouvant entraîner des dommages matériels, des blessures ou une perte de vie. L'agence de réparation qualifiée est responsable de la bonne installation de cette trousse. L'installation n'est pas jugée terminée et adéquate jusqu'à ce que l'on ait testé l'appareil converti comme précisé dans les directives du fabricant fournies avec la trousse.

CONSIGNES DE SÉCURITÉ IMPORTANTES

LIRE ET CONSERVER CES INSTRUCTIONS

Installation à altitude élevée

Cet appareil a été testé pour son fonctionnement jusqu'à une altitude de 10 000 pi (3 048 m) d'altitude au-dessus du niveau de la mer.

Si désiré, pour des altitudes supérieures à 2000 pi (610 m) d'altitude au-dessus du niveau de la mer, des ajustements peuvent être apportés. Veuillez vérifier les brûleurs au réglage le plus bas. Si la flamme est instable, haussez la flamme de mijotage jusqu'à ce qu'elle soit stable. Vous pouvez le faire en réglant la vis de dérivation de la soupape. Si la flamme réagit de manière satisfaisante, aucun ajustement n'est requis. C'est requis qu'un professionnel certifié effectue les réglages de haute altitude pendant l'installation.

Avant de commencer

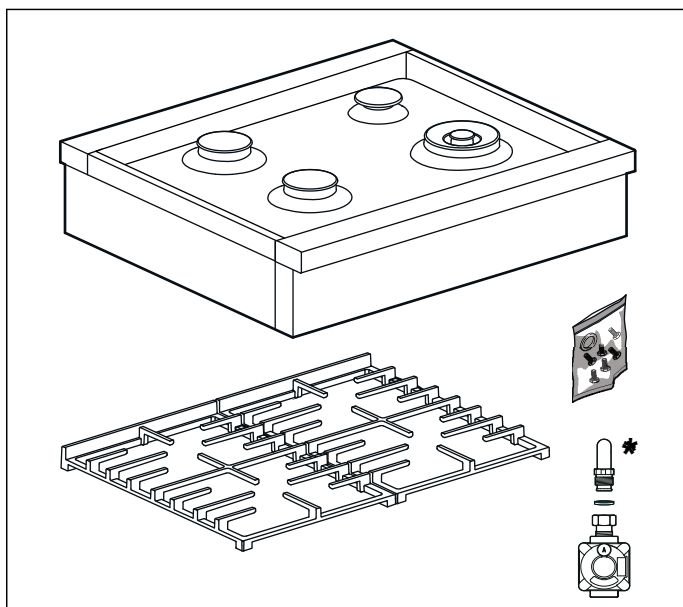
Outils et pièces nécessaires

- Tournevis à tête Phillips
- Tournevis plat 1/8 po (3,5 mm)
- Clé réglable
- Pinces à rainure et languette
- Crayon
- Ruban-mesure

Remarque : Des matériaux supplémentaires peuvent être nécessaires pour l'installation de comptoirs à surface solide. Contactez le fabricant du comptoir.

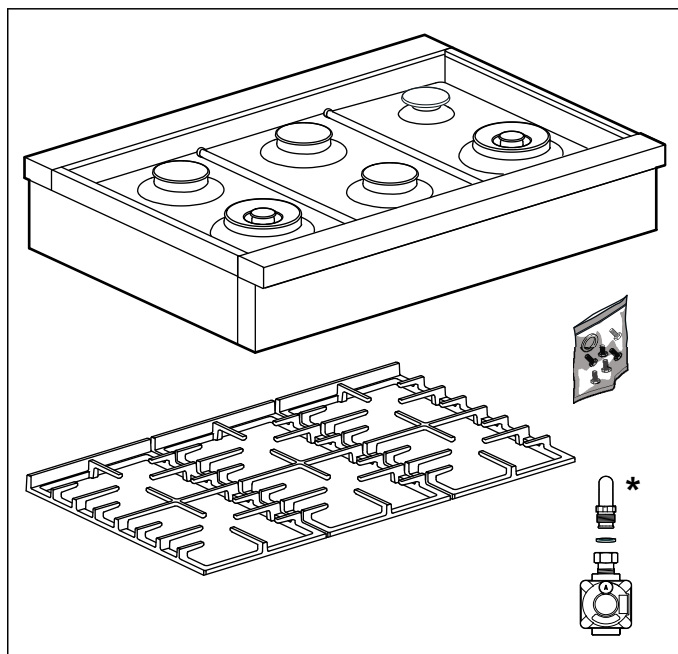
Pièces comprises

30 po :



* Fixé à l'appareil.

36 po :



* Fixé à l'appareil.

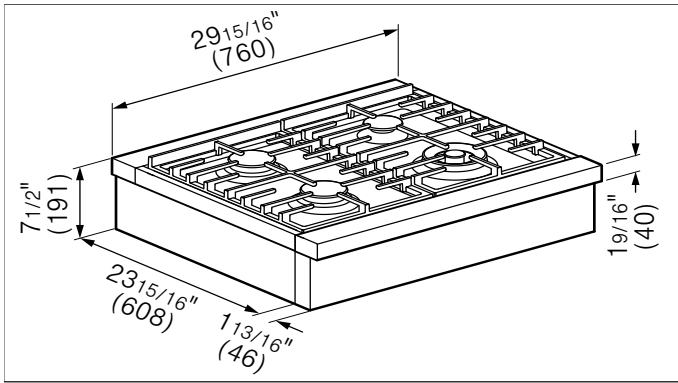
Pour enlever l'emballage

Voir le schéma sur l'emballage.

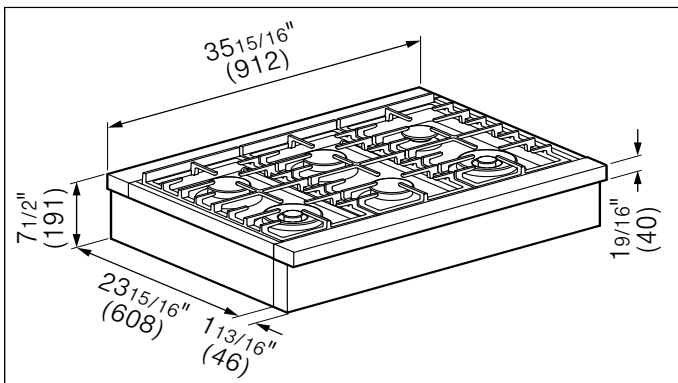
- S'il y a des sangles, coupez-les.
- Coupez la bande en veillant à ne pas couper l'unité.
- Lever le carton de l'appareil et débarrassez-vous en.
- Retirez le couvercle protecteur et les films plastiques.

Informations générales

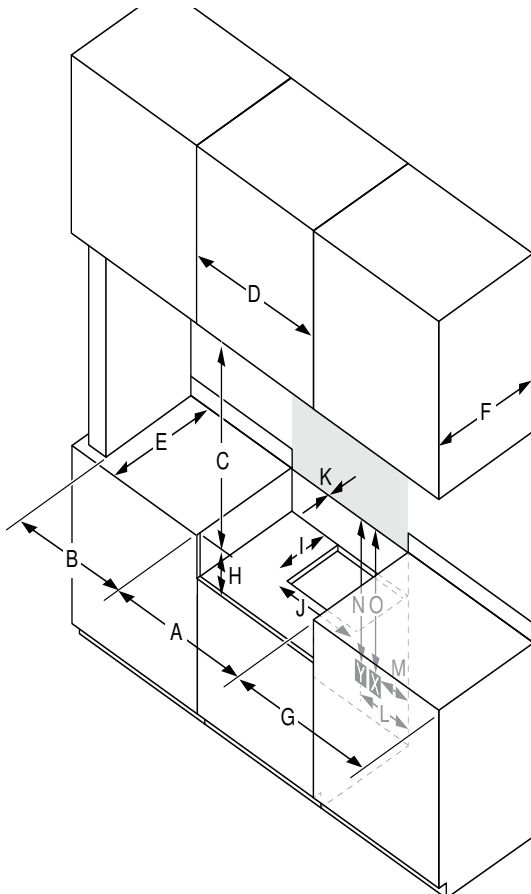
30":



36":



Exigences pour les placards



Les espaces minimaux qui doivent être maintenus lors de l'installation de la plaque de cuisson au gaz doivent être les suivants :

- A** 30 po : minimum 30 po (762 mm)
36 po : minimum 36 po (914 mm)
- B** minimum 20 po (508 mm)
- C** dégagement minimal de 30 po (762 mm) entre le dessus de la surface de cuisson et le dessous de l'armoire en bois ou en métal non protégée
- D** 30 po : minimum 30 po (762 mm)
36 po : minimum 36 po (914 mm)
- E** minimum 24 po (610 mm)
- F** maximum 13 po (330 mm)
- G** minimum 20 po (508 mm)
- H** 7 3/8 po (187 mm)
- I** minimum 4 po (102 mm)
- J** minimum 12 po (305 mm)
- K** minimum 0 po (0 mm)

* La distance minimale est de 12 po (305 mm), mais la distance totale, gauche et droite, doit être d'au moins 40 po (1016 mm).

Conduite d'alimentation en gaz et prise de mise à la terre

X = Conduite d'alimentation en gaz

Y = Prise de mise à la terre

Les positions de la conduite d'alimentation en gaz et de la sortie de mise à la terre doivent être :

- L** 8-12 po (203-305 mm)
- M** 2-4 po (51-101 mm)
- N** 24-28 po (610-711 mm)
- O** 24-28 po (610-711 mm)

Exigences pour le plan de travail

▲ AVERTISSEMENT

Pour réduire le risque d'inflammation des matières combustibles avoisinantes, installez à au moins 20 po (508 mm) des deux murs latéraux. La distance minimale est de 12 po (305 mm), mais la distance totale, gauche et droite, doit être d'au moins 40 po (1016 mm).

Le plan de travail doit être de niveau et horizontal. Le plan de travail doit rester stable après la découpe.

Caractéristiques techniques

30" (4 brûleurs) :

Intensité totale raccordée, électrique	0.001 A 0.1 W
Intensité totale raccordée, gaz (gaz naturel)	47,000 BTU/h (13.7 kW)
Intensité totale raccordée, gaz (gaz propane)	47,000 BTU/h (13.7 kW)

36" (6 brûleurs) :

Intensité totale raccordée, électrique	0.001 A 0.1 W
Intensité totale raccordée, gaz (gaz naturel)	77,000 BTU/h (22.5 kW)
Intensité totale raccordée, gaz (gaz propane)	77,000 BTU/h (22.5 kW)

Liste de contrôle pour l'installation

Veillez consulter les pages suivantes pour les instructions d'installation complètes. Utilisez cette liste de contrôle pour vérifier que vous avez terminé chaque étape du processus d'installation. Cela peut vous aider à éviter de commettre des erreurs.

✓ Étape d'installation

Avant d'installer la table de cuisson, assurez-vous que les dimensions du caisson sont correctes pour votre appareil et que les connexions électriques et gaz nécessaires sont présentes.

Avant d'installer la table de cuisson, assurez-vous que l'orifice dans le mur derrière l'appareil et dans le plancher sous l'appareil doit être scellé.

Reportez-vous au manuel d'installation pour le contenu concernant la sécurité, les dimensions du caisson, le démontage de l'emballage, l'installation électrique, le raccordement au gaz et le service clientèle.

Branchez la table de cuisson dans une prise de courant correctement configurée.

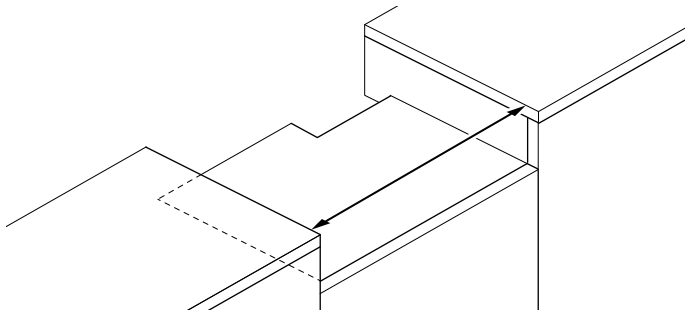
Procédure d'installation

Un rideau d'air ou une autre hotte de cuisinière suspendue, qui fonctionne en soufflant un flux d'air vers le bas sur une cuisinière, ne doit pas être utilisé conjointement avec la cuisinière à gaz à moins que la hotte et la cuisinière n'aient été conçues et testées conformément à la norme ANSI Z21.1 et répertoriées par un laboratoire d'essais indépendant pour une utilisation combinée.

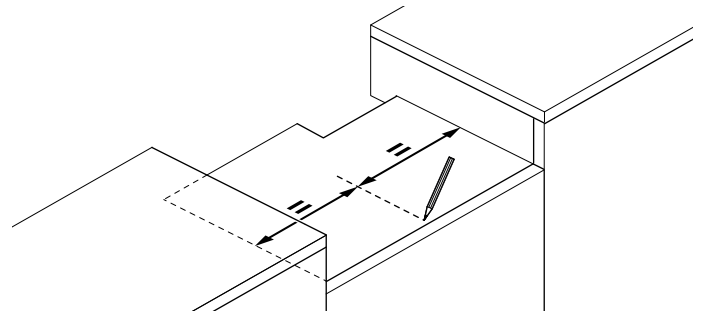
Préparation des meubles

Installation du support avec une profondeur de niche jusqu'à 24 po

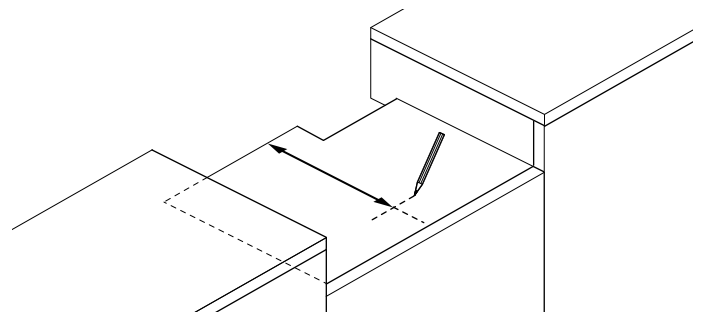
1. Mesurez la largeur de la fente pour l'appareil.



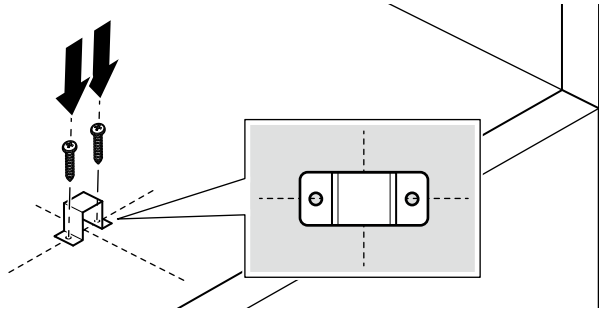
2. Divisez la mesure en deux et tracez la ligne médiane sur le sol du meuble.



3. Mesurer à partir du mur 21 po (environ 534 mm) et tracez une ligne perpendiculaire à la ligne médiane.



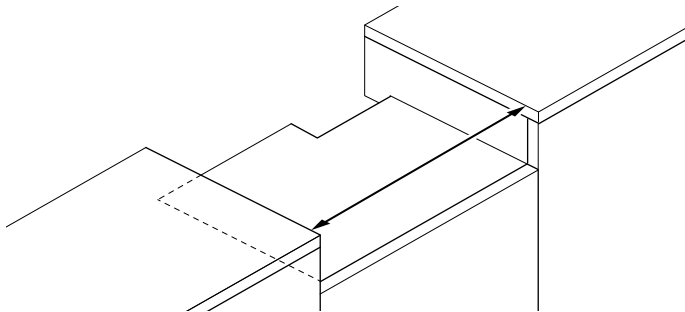
4. Mettez le support à peu près comme sur la figure ci-dessous, au milieu des deux lignes (car il n'est pas nécessaire d'être plus précis car la fente sur le dessus de la cuisinière offre un espace suffisant) et tracez le centre des trous du support ou fixez-le directement avec les vis.



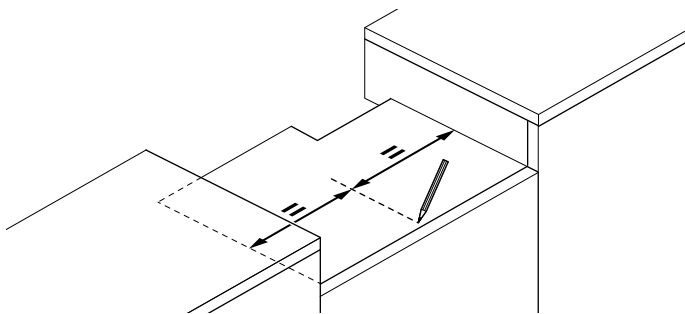
Installation du support avec une profondeur de niche supérieure à 24 po

Si la profondeur est supérieure à 24 po, vous pouvez choisir d'installer le haut de la cuisinière contre le mur comme dans la procédure précédente et laissez le panneau de commande entrer à l'intérieur du meuble. Ou vous pouvez décider d'aligner le panneau de commande avec l'arrière du meuble et avoir un espace sur la partie arrière entre l'appareil et le mur, donc :

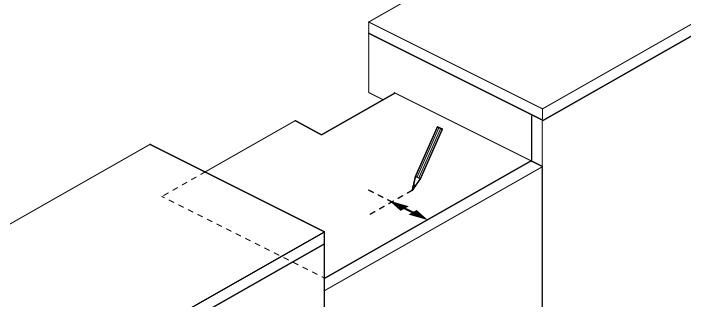
1. Mesurez la largeur de la fente pour l'appareil.



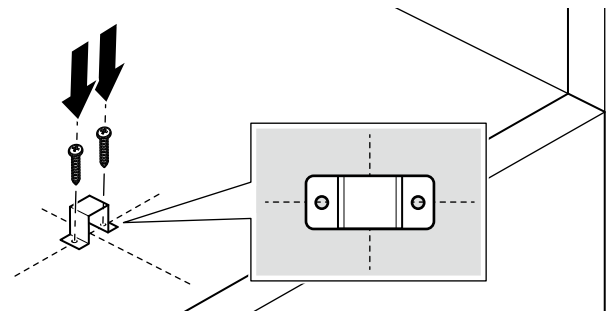
2. Divisez la mesure en deux et tracez la ligne médiane sur le sol du meuble.



3. Mesurez le devant du meuble 3 po (environ 76 mm) et tracez une ligne perpendiculaire à la ligne médiane.



4. Mettez le support à peu près comme sur la figure ci-dessous, au milieu des deux lignes (car il n'est pas nécessaire d'être plus précis car la fente sur le dessus de la cuisinière offre un espace suffisant) et tracez le centre des trous du support ou fixez-le directement avec les vis.



Branchement du gaz

L'appareil électroménager est livré de l'usine prêt à utiliser avec du gaz naturel à une pression de 5 po de la colonne d'eau. Lors de la vérification du bon fonctionnement du régulateur, la pression d'entrée doit être supérieure d'au moins 1 po à la pression de fonctionnement (collecteur) ci-dessus. Lorsqu'il est utilisé avec du gaz naturel, la pression fournie au régulateur doit se situer entre 6 po et 10.5 po de la colonne d'eau.

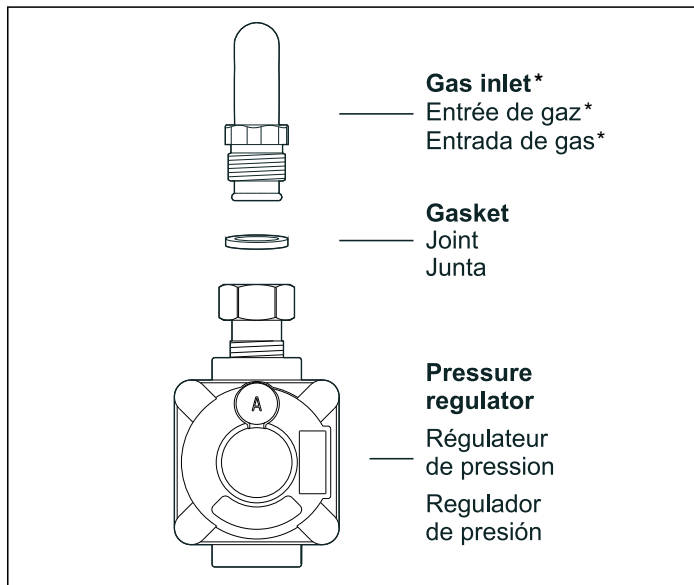
Pour convertir l'appareil au gaz propane, voir « Conversion au gaz propane (GPL) ». Un technicien ou un installateur qualifié doit procéder à la conversion.

L'admission de gaz de l'appareil est située à droite, à l'arrière de l'appareil.

Installez le régulateur de pression (fourni avec l'appareil) à l'entrée du gaz. Positionner le joint (fourni avec l'unité) entre l'entrée et le régulateur. Positionnez le régulateur pour avoir le capuchon D (→ Page 33) facilement accessible. Tournez l'écrou sur l'entrée de gaz pour serrer à la main plus 1/3 de tour.

Installez le tuyau de gaz au régulateur à l'aide d'un ruban de Téfalon ou de pâte à joint (résistant au gaz au propane et au gaz naturel). Serrez à la main puis tournez 1/3 de tour. Ne tournez pas plus de 1 tour lors de l'alignement, pour éviter d'endommager le régulateur de pression de gaz.

Vérifiez les raccords d'entrée ainsi que le régulateur pour détecter la présence de fuites.

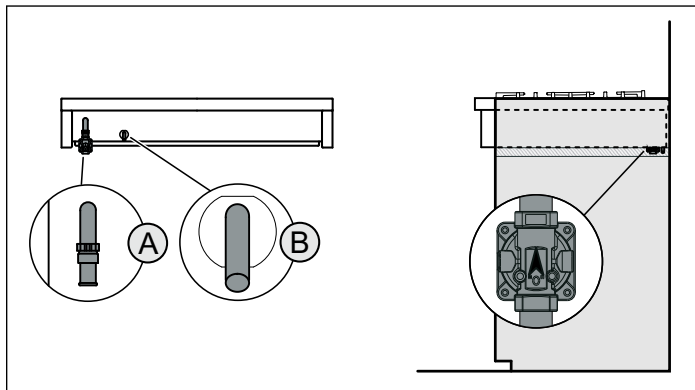


* Fixé à l'appareil.

▲ AVERTISSEMENT

N'essayez pas d'ajuster le régulateur de pression à moins de convertir l'appareil électroménager au propane. Les réglages peuvent entraîner des fuites ou une mauvaise pression en direction de l'appareil électroménager.

Vue latérale et arrière de l'installation de la tables de cuisson à gaz



Emplacement du gaz

- A** Raccordement du gaz
- B** Raccordement électrique

Raccordez la conduite d'alimentation en gaz au régulateur de pression de l'appareil avec un connecteur souple de gaz de 1/2 po entre le robinet d'arrêt manuel et le régulateur de pression. Une ligne de production métallique souple ou un tuyau métallique fixe doit être utilisé pour raccorder le gaz à l'appareil. Si une conduite de gaz en métal ne peut pas être utilisée, veuillez vous adresser à un électricien agréé local ou aux codes

électriques locaux pour obtenir une mise à la terre appropriée.

Vérifiez les raccords de la conduite d'alimentation pour détecter les fuites en utilisant une solution savonneuse ou un liquide de détection de fuites non corrosif. N'utilisez jamais de flamme de quelque nature que ce soit.

▲ AVERTISSEMENT

Installez un robinet d'arrêt près de l'électroménager. Après l'installation, il doit être facilement accessible en cas d'urgence.

1. Ouvrez le gaz.
2. Appliquez une solution savonneuse ou un liquide de détection de fuites non corrosif à toutes les jonctions et tous les raccords des conduites de gaz entre le robinet d'arrêt et la table de cuisson. Incluez les raccords et les jonctions de gaz de la table de cuisson si les raccords ont pu être déréglés au cours de l'installation. Les bulles qui apparaissent autour des raccords indiquent une fuite.
3. En présence d'une fuite, coupez l'alimentation en gaz en fermant le robinet d'arrêt et serrez le ou les raccords qui fuient.
4. Testez de nouveau la présence de fuites en ouvrant le robinet d'arrêt de l'alimentation de gaz. Lors de la vérification des fuites est terminé (aucune bulle n'apparaît), le test est terminé.
5. Essuyez tout résidu de la solution savonneuse ou du liquide de détection de fuite.

Remarques importantes concernant le raccord au gaz :

- L'appareil et son propre robinet d'arrêt doivent être déconnectés de la canalisation du système d'alimentation en gaz au cours de tests de pression de ce système aux pressions qui dépassent 1/2 psi (3,5 kPa).
- L'appareil électroménager doit être isolé de la canalisation du système d'alimentation en gaz en fermant son propre robinet d'arrêt manuel pour tout test de pression de la canalisation du système d'alimentation en gaz à des pressions égales ou inférieures à 1/2 psi (3,5 kPa).

Pose de l'appareil

▲ AVERTISSEMENT

Avant tout raccordement de cordon électrique ou toute mise sous tension, assurez-vous que toutes les commandes sont en position OFF (d'arrêt).

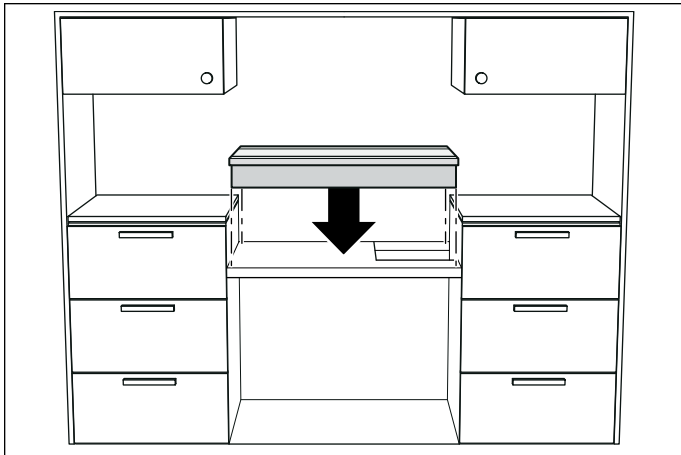
▲ AVERTISSEMENT

Le régulateur exposé ne doit pas entrer en contact avec l'appareil lorsqu'il est placé dans l'armoire.

Remarques

- L'appareil doit être solidement fixé dans la découpe et ne doit pas pouvoir se mouvoir (p. ex. pendant le nettoyage).
- Pour éviter tout dommage matériel, replacez le couvercle d'emballage en plastique sur l'appareil avant de le charger dans l'armoire.
- Si une construction supplémentaire est à proximité, le couvercle d'emballage en plastique peut être utilisé afin de préserver la finition esthétique.

Installez le haut de la cuisinière en le poussant contre le mur du fond.



Brancher l'alimentation électrique

Le cordon d'alimentation 120 V est installé sur les tables de cuisson à gaz. Branchez le cordon d'alimentation dans une prise murale standard de 120 V.

⚠ AVERTISSEMENT

INSTRUCTIONS DE MISE À LA TERRE

L'électroménager est doté d'une fiche à trois broches mise à la terre pour vous protéger contre le danger d'électrocution. La fiche doit être utilisée dans une prise correctement mise à la terre. Ne pas enlever ni couper la broche de mise à la terre de la fiche.

Montage des chapeaux de brûleur

Brûleurs scellés

Votre table de cuisson neuve dispose de brûleurs à gaz scellés. Il n'y a aucune pièce de brûleur à nettoyer, démonter ou régler sous la table de cuisson. Votre table de cuisson a trois tailles de brûleurs différentes : petite, grande et double flamme.

⚠ AVERTISSEMENT

Pour éviter les poussées, n'utilisez pas la table de cuisson sans tous les chapeaux de brûleur et toutes les grilles de brûleur correctement positionnés.

⚠ AVERTISSEMENT

Pour éviter les brûlures, ne touchez pas les chapeaux ou les grilles du brûleur lorsqu'il sont chauds. Éteignez la table de cuisson et laissez refroidir les brûleurs.

Les pièces du brûleur doivent être correctement positionnées pour que la plaque de cuisson puisse fonctionner correctement. Si les pièces du brûleur ne sont pas correctement positionnées, un ou plusieurs des problèmes suivants peuvent survenir :

- La flamme du brûleur est trop élevée.
- Des flammes jaillissent des brûleurs.
- Les brûleurs ne s'allument pas.
- La flamme du brûleur n'est pas uniforme.
- Une odeur de gaz se dégage du brûleur.

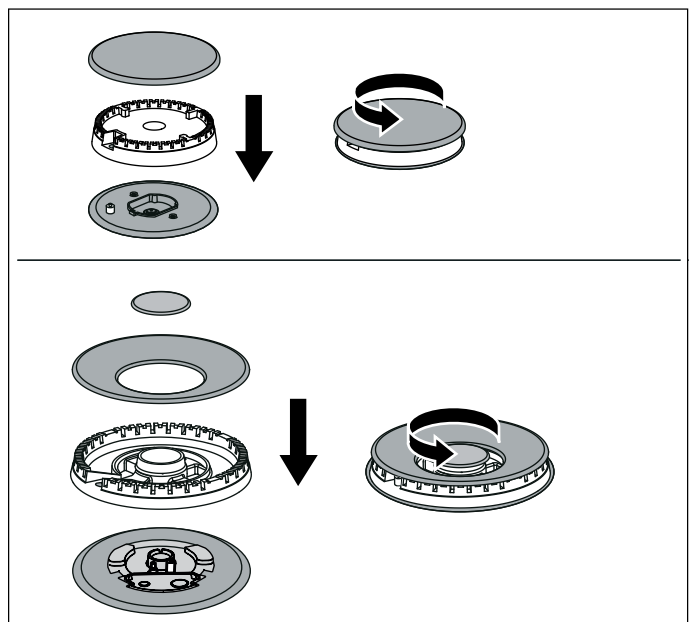
Positionnement du chapeau et de la base du brûleur

Après avoir terminé le raccordement électrique, déposer chaque base de brûleur à l'endroit correspondant sur la table de cuisson. Une des trois rainures sur la base du brûleur doit être alignée avec l'encoche pour empêcher son pivotement. Le petit trou ou la petite découpe près du rebord doit aussi être aligné(e) avec l'allumeur. Faire très attention de ne pas endommager l'allumeur lors de l'installation de la base. Voir l'illustration ci-dessous.

Une fois toutes les bases installées et bien appuyées, placer les chapeaux de brûleur sur la base correspondante. Voir l'illustration.

Déposer délicatement le chapeau de brûleur sur le dessus de la base de sorte que les pattes de la base soient bien ajustées dans la goulotte du chapeau du brûleur.

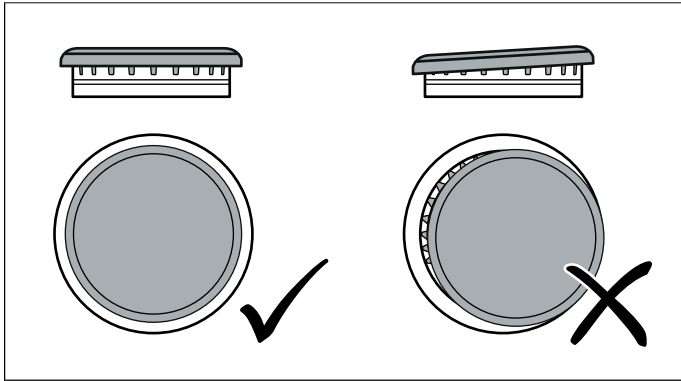
Si un installateur certifié retire la table de travail (par exemple pour vérifier le raccordement électrique ou les conduites), il faut réinsérer les vis à tête cylindrique large pour assurer le bon fonctionnement des brûleurs.



Vérification du positionnement du chapeau du brûleur

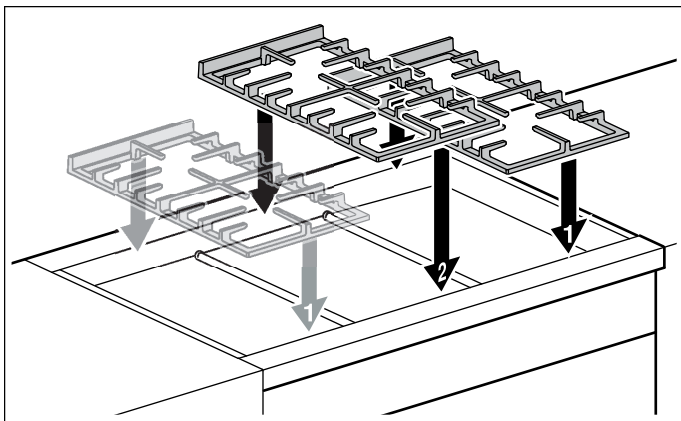
S'assurer qu'il n'y a aucun espace entre le chapeau et la base du brûleur. Consulter l'illustration ci-dessous pour voir un positionnement correct et incorrect du chapeau du brûleur.

Vous pouvez essayer délicatement de bouger le chapeau du brûleur pour vérifier s'il est correctement positionné. Si tel est le cas, un clic se fera entendre lorsque les pattes du chapeau frapperont la saillie de la goulotte.



Installation des grilles

Positionnez d'abord les grilles extérieures, puis la grille centrale. Si vous n'avez que deux grilles, l'ordre dans lequel vous les positionnez n'est pas important.



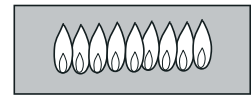
Vérification de l'installation

Placez chaque capot de brûleur de la bonne taille en position assise et crantée puis vérifiez le fonctionnement de l'allumeur électrique. Vérifiez les caractéristiques de la flamme. La flamme doit être bleue avec une pointe jaune minimale sur le cône extérieur des flammes.

Vérifiez les caractéristiques de la flamme

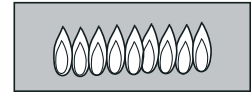
Flammes jaunes :

Des ajustements supplémentaires sont nécessaires.



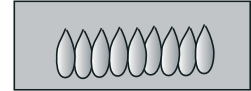
Pointes jaunes sur les cônes extérieurs :

Normal pour le gaz au propane



Flammes bleues douces :

Normal pour le gaz naturel



Flammes oranges :

Peut être normal si certains types d'humidificateurs sont utilisés dans la maison. Les flammes devraient redevenir bleues sans que l'humidificateur soit en marche.

Remarque : Si la flamme est complètement ou presque jaune, vérifiez que le régulateur est réglé avec le bon carburant. Recommencez le test après le réglage.

Des stries jaunes sont normales lors de la première mise en service. Laissez l'appareil fonctionner pendant 4 à 5 minutes et réévaluez la situation avant d'effectuer les réglages.

Test pour fuites de gaz

⚠ AVERTISSEMENT

RISQUE D'INCENDIE

Ne vérifiez jamais les fuites de gaz avec une flamme.

L'installateur doit procéder au test de fuites selon les directives fournies dans cette section.

1. Ouvrez le gaz.
2. Appliquez un liquide de détection de fuite non corrosif. Incluez tous les joints et raccords entre le robinet d'arrêt et l'appareil. Intégrez des raccords à gaz et des joints dans l'appareil si les connexions ont pu être perturbées pendant l'installation.
3. Inspectez les fuites. Les bulles qui apparaissent autour des raccords indiquent une fuite.
4. En présence de fuite, coupez l'alimentation en gaz en fermant le robinet d'arrêt et serrez le ou les raccords qui fuient.
5. Vérifiez à nouveau s'il y a des fuites. Ré-ouvrez le gaz à la vanne d'arrêt de la conduite d'alimentation et re-injectez le fluide de détection de fuite.
6. Quand aucune bulle n'apparaît, le test de fuite est terminé. Essayez tout résidu de liquide de détection de fuite.

Conversion gaz au propane (LPG)

Prévoyez toujours une alimentation en gaz suffisante.

Cet appareil est expédié de l'usine pour être utilisé avec du gaz naturel. Utilisez cette trousse pour convertir l'appareil au gaz au propane si nécessaire. Observez ce qui suit :

Assurez-vous que la cuisinière est convertie pour pouvoir être utilisée avec le gaz approprié avant de l'utiliser.

Cet appareil est conçu pour fonctionner à une pression de 10 po de la colonne d'eau lorsqu'il est utilisé avec du gaz au propane.

Lors de la vérification du bon fonctionnement du régulateur, la pression d'entrée doit être supérieure d'au moins 1 po à la pression de fonctionnement (collecteur) ci-dessus. Lors de la conversion au gaz au propane, la pression fournie au régulateur doit se situer entre 11 po et 13 po de la colonne d'eau.

Le régulateur de pression qui se trouve à l'entrée du collecteur de gamme doit rester dans la conduite d'alimentation.

Utilisez un connecteur métallique flexible ou un tuyau rigide pour brancher l'appareil à l'alimentation en gaz. Le connecteur doit avoir un diamètre intérieur de 1/2 po et une longueur de 5 pieds (1.5 m) ou moins. (Exception : la longueur maximale des connecteurs dans les installations du Massachusetts est de 3 pieds (0.9 m)). Au Canada, le connecteur doit être en métal à paroi simple et d'une longueur maximale de 6 pieds (1.8 m). Conserver les ports retirés de l'appareil électroménager pour un usage ultérieur.

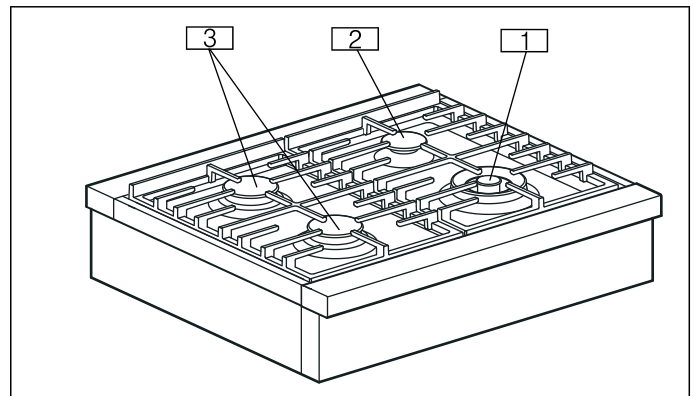
▲ ATTENTION

L'alimentation en gaz doit être fermée avant de déconnecter électrique afin de procéder à la conversion.

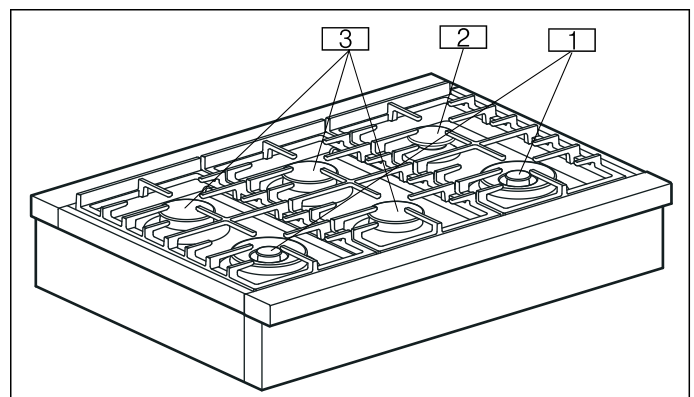
Pièces fournies avec l'ensemble des buses de gaz au propane :

- 2x numéro de buse 117
- 2x numéro de buses 48
- 3x numéro de buses 102
- 1 x numéro de buses 65
- 1x étiquette adhésive

30"

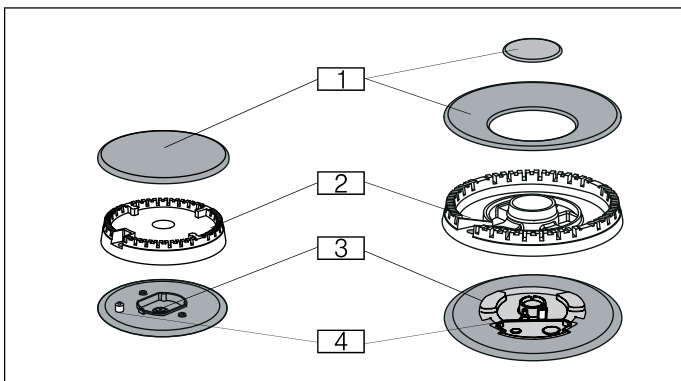


36"



Non. Désignation

1	Brûleur à double flamme (18,000 BTU/ 5.3 kW) Buses GPL : 117 (externes) et 48 (internes)
2	Petit brûleur (5,000 BTU/ 1.5 kW) Caractéristiques OptiSim® Buse GPL : 65
3	Grand brûleur (12,000 BTU/ 3.5 kW) Buse GPL : 102



Assurez-vous que les trous des couronnes du diffuseur de flammes sont alignés avec les thermocouples (3) et les allumeurs (4).

Non. Désignation

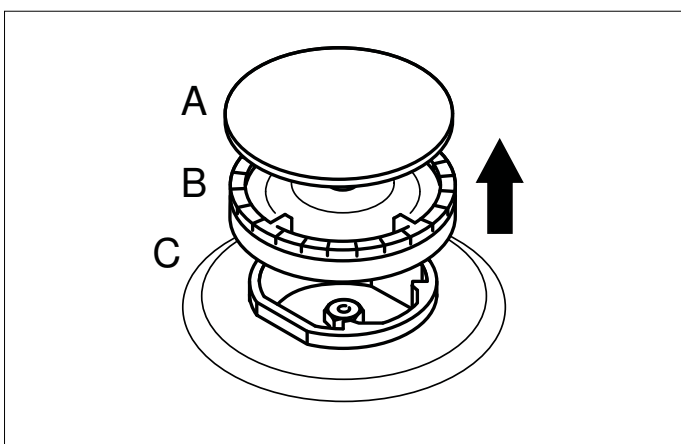
1	Chapeaux de brûleur
2	Couronnes de diffusion de flamme
3	Thermocouples
4	Allumeurs

Orifices

Type de gaz	Pression en W.C.P.	Type de brûleur	Nombre de buses	Dérivation	Puissance Min	Puissance max
Gaz naturel	5 po	Brûleur à flamme double externe	180 (S4)	Écart	1000 BTU (0.3 kW)	18000 BTU (5.3 kW)
		Brûleur à flamme double interne	75	Écart		
		Grand brûleur	152	Écart	2400 BTU (0.7 kW)	12000 BTU (3.5 kW)
		Petit brûleur	100	Écart	1000 BTU (0.3 kW)	5000 BTU (1.5 kW)
Gaz liquide	10 po	Brûleur à flamme double externe	117	55	1000 BTU (0.3 kW)	18000 BTU (5.3 kW)
		Brûleur à flamme double interne	48	30		
		Grand brûleur	102	45	2400 BTU (0.7 kW)	12000 BTU (3.5 kW)
		Petit brûleur	65	30	1000 BTU (0.3 kW)	5000 BTU (1.5 kW)

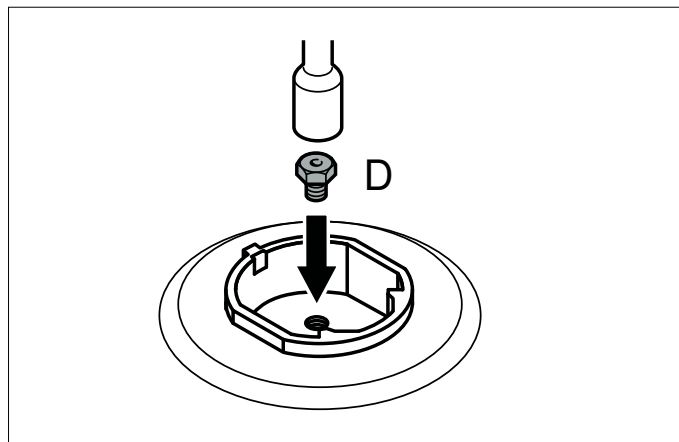
Remplacement des buses régulatrices principales

1. Retirez les cuvettes.
2. Retirez le capot du brûleur **A** et la coupelle du brûleur **B** du brûleur **C**.

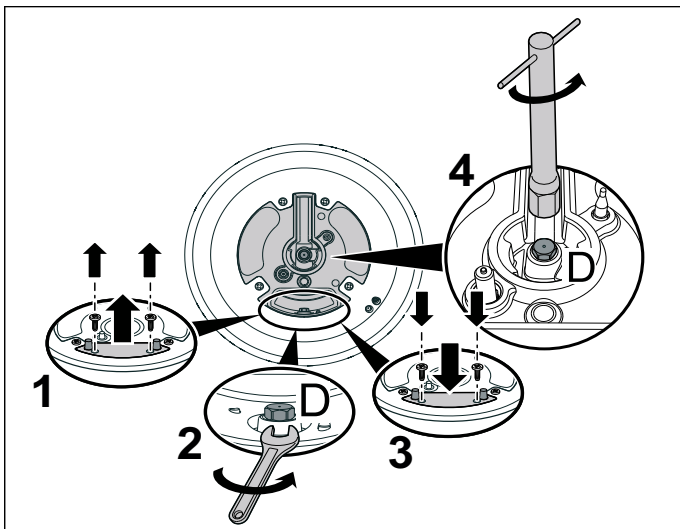


3. Enlevez la buse **D** et remplacez-la par une buse adaptée au nouveau type de gaz.

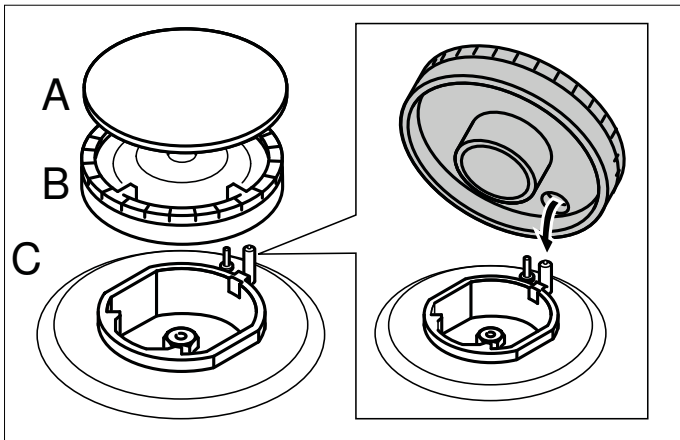
Brûleur de puissance standard/brûleur de haute puissance



Brûleur haute puissance à double anneau



4. Placez la coupelle du brûleur **B** sur le brûleur **C** et placez le capot du brûleur **A** sur la coupelle **B** du brûleur.

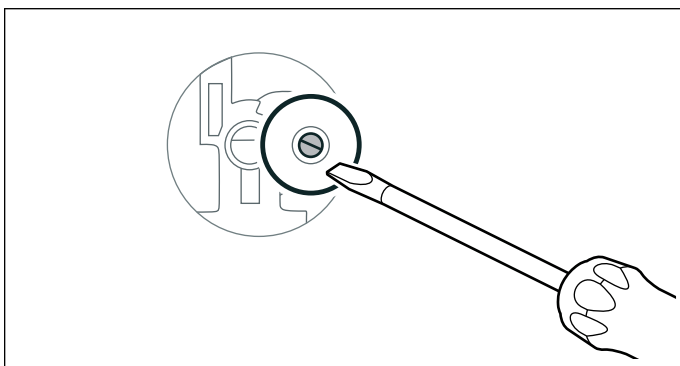


5. Remplacez la cuvette.

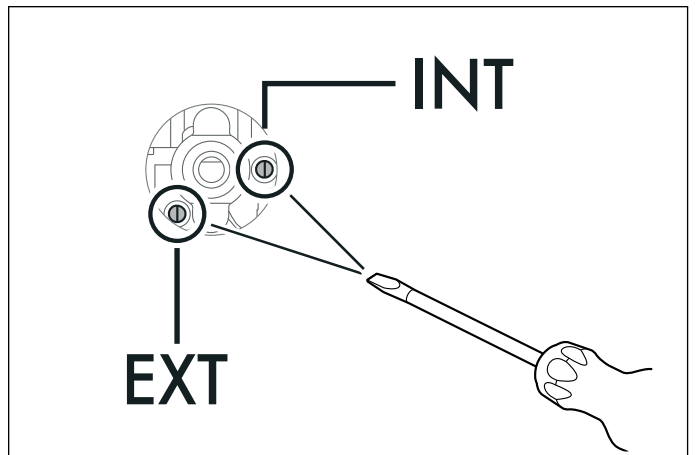
Réglage du débit minimum de gaz

1. Retirer le bouton de commande et anneau de bouton.
2. Tournez doucement la vis de blocage intérieure dans le sens horaire jusqu'à ce qu'elle arrive au bout.

Petit brûleur/grand brûleur



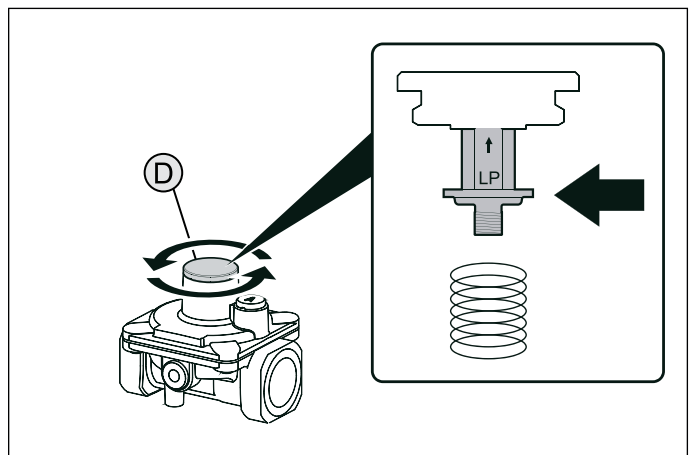
Brûleur à flamme double :



3. Remplacez les boutons de contrôle.
4. Allumez chaque brûleur individuellement et vérifiez si la flamme est stable en réglage bas.
5. Si nécessaire, desserrez la vis de réglage pour augmenter le débit de gaz.
6. Veillez à ce que la flamme ne s'éteigne pas lorsque le débit de gaz change rapidement entre maximum et minimum, et vice versa. Le réglage optimal est atteint lorsque la hauteur de la petite flamme est d'environ 1/8 po (3 à 4 mm).
7. Remettez le bouton de contrôle et anneau de bouton pour le brûleur à gaz.
8. Répétez les étapes 2 à 8 jusqu'à ce que tous les brûleurs à gaz soient réglés.
9. Branchez l'appareil à l'alimentation électrique.

Réglage du régulateur de pression pour le gaz au propane

1. Utilisez une pince à rainure et languette pour retirer le bouchon régulateur **D**.
2. Dévissez la tige de régulation en plastique du bouchon régulateur **D**.
3. Inversez la tige de régulation en plastique et vissez-la fermement.



4. Remplacez le chapeau **D** et resserrez-le à l'aide d'une pince à rainures et languettes.

5. Lors de la conversion au gaz au propane, la pression fournie au régulateur doit se situer entre 11 po et 13 po de la colonne d'eau.

Vérification des fonctions après la conversion :

Les flammes ne doivent pas s'éteindre lors du passage rapide de la position haute à la position basse.

Remarque : Collez l'étiquette adhésive fournie avec la buse sur la plaque signalétique de l'appareil pour signaler le passage à un autre type de gaz.

Test pour fuites de gaz

Après la conversion, il est important de vérifier les fuites.

→ Page 30

Conversion au gaz naturel

Cet appareil est expédié de l'usine pour être utilisé avec du gaz naturel. Si l'appareil a déjà été converti au gaz propane, vous devez le reconverter au gaz naturel.

Vérifiez les orifices pour obtenir les bonnes buses et, si nécessaire, remplacez-les. Voir « Remplacement des buses régulatrices principales ».

Ajustement du débit minimum de gaz. Voir « Réglage du débit minimum de gaz ». Le réglage optimal est atteint lorsque la hauteur de la petite flamme est d'environ 1/8 po (3 à 4 mm).

Régalez le régulateur de pression pour le gaz naturel. Tournez la plaque à ressort dans l'autre sens comme indiqué dans « Réglage du régulateur de pression pour le gaz au propane ».

Conservez les ports retirés de l'appareil électroménager pour un usage ultérieur.

Service technique

Contactez notre département du service technique si votre appareil a besoin d'être réparé. Notre service à la clientèle de (voir ci-dessous) se fera un plaisir de vous fournir des détails sur la façon d'obtenir un service réparation.

Comment bénéficier du service de garantie

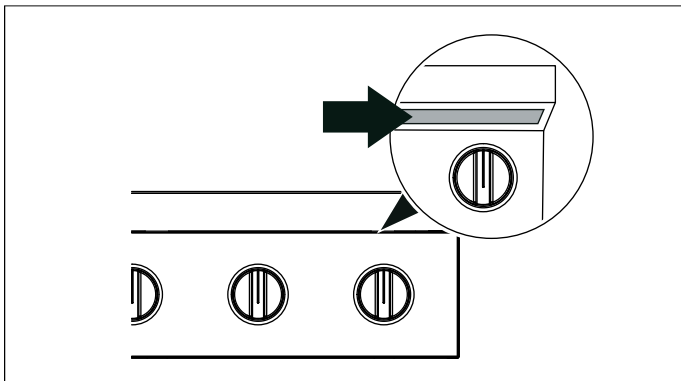
Pour obtenir un service sous garantie pour votre produit, contactez le département de service après-vente de Bosch au 1-800-944-2904 pour planifier une réparation.

Numéro de modèle (E) et numéro FD

Quand vous communiquez avec le service, veuillez avoir à portée de main le numéro de modèle (E) et le numéro FD de l'appareil électroménager.

Vous trouverez ces informations sur la plaque signalétique

- sur la face arrière de l'appareil
- sur le dessous du panneau de contrôle de projection



Questions ? N'hésitez pas à nous contacter. Nous sommes à votre entière disposition.

800-944-2904

www.bosch-home.ca/fr/

1901 Main Street, Suite 600
Irvine, CA 92614

Schéma de câblage pour RGM8658UC

⚠ WARNING

When servicing the controls, label all wires prior to disconnection. Wiring errors can cause improper and dangerous operation: Verify proper operation after servicing.

⚠ AVERTISSEMENT

Étiquetez les fils avant de déconnecter pour les contrôles de service. Une erreur dans le filage peut provoquer des opérations dangereuses et incorrectes. Vérifiez la conformité de l'opération après un entretien.

⚠ ADVERTENCIA

Marcar todos los cables antes de desconectar, al realizar el mantenimiento de los mandos. Los errores de conexión pueden causar boperaciones inadecuadas y peligrosas. Comprobar el funcionamiento correcto después del mantenimiento.

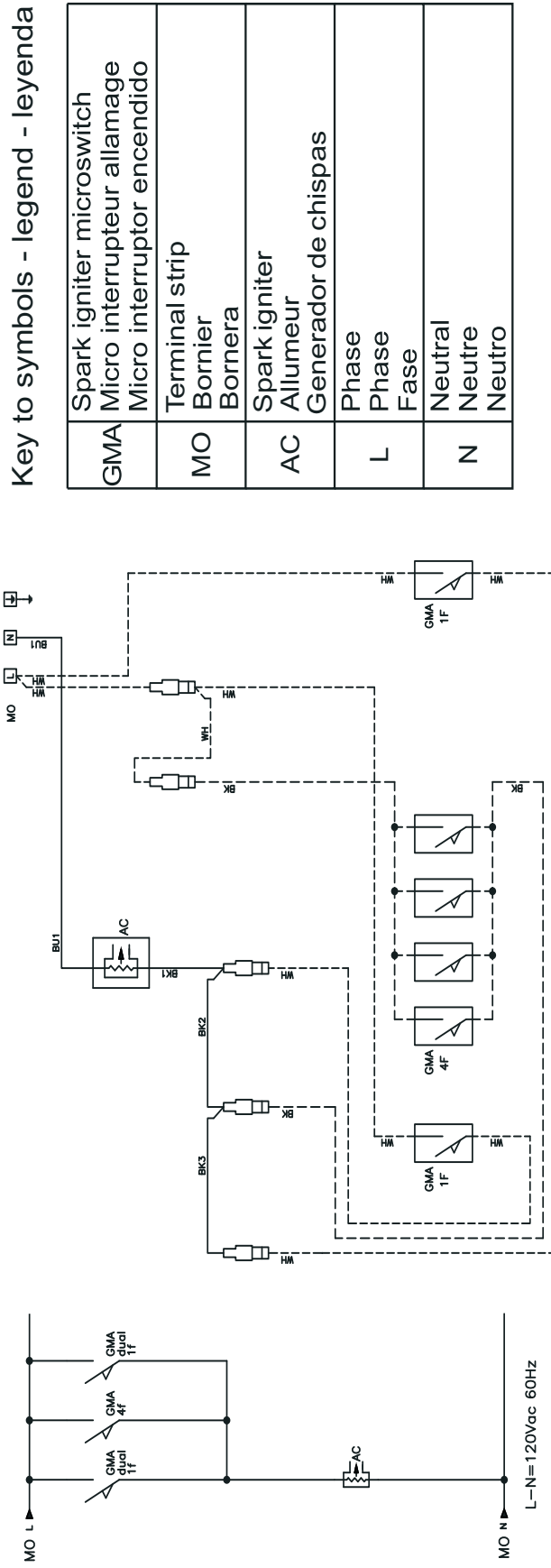


Schéma de câblage pour RGM8058UC

⚠ WARNING

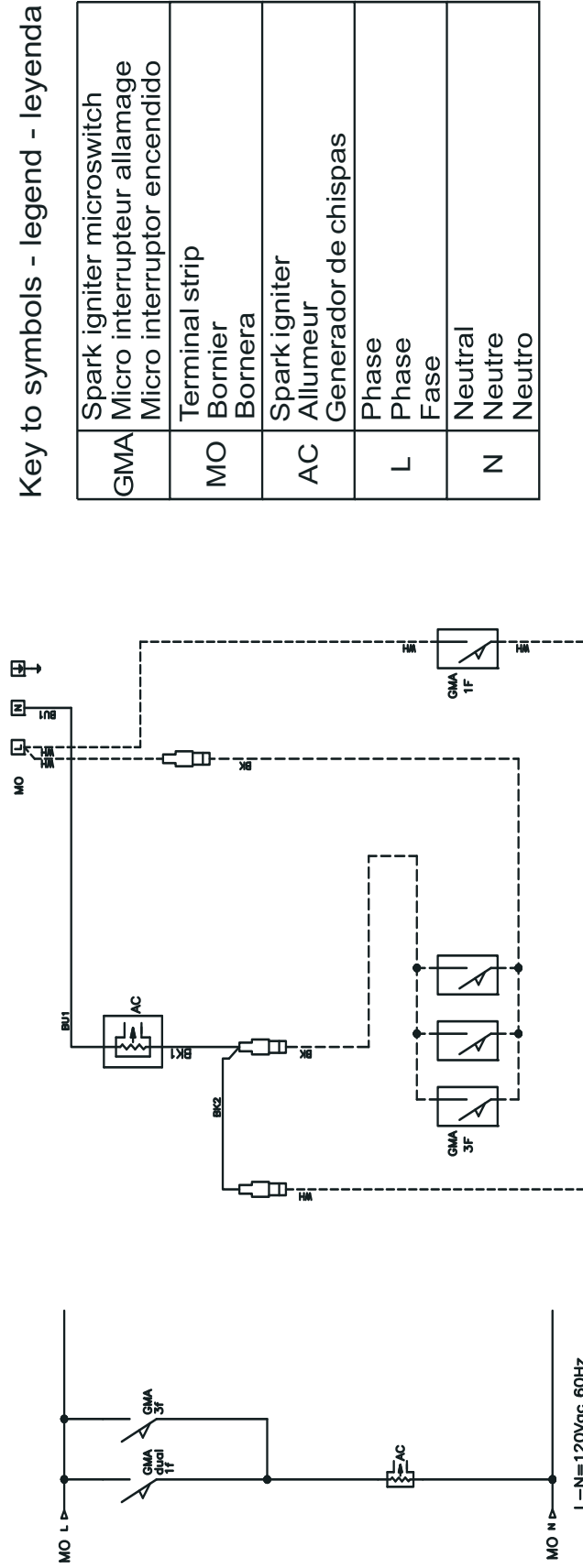
When servicing the controls, label all wires prior to disconnection. Wiring errors can cause improper and dangerous operation: Verify proper operation after servicing.

⚠ AVERTISSEMENT

Étiquetez les fils avant de déconnecter pour les contrôles de service. Une erreur dans le filage peut provoquer des opérations dangereuses et incorrectes. Vérifiez la conformité de l'opération après un entretien.

⚠ ADVERTENCIA

Marcar todos los cables antes de desconectar, al realizar el mantenimiento de los mandos. Los errores de conexión pueden causar boperaciones inadecuadas y peligrosas. Comprobar el funcionamiento correcto después del mantenimiento.





9001485904

000203



BOSCH

Invented for life

1901 Main Street, Suite 600 • Irvine, CA 92614 • 800-944-2904
www.bosch-home.com • © 2020 BSH Home Appliances