

100 Series, Electric Freestanding Range, 30", Stainless Steel HEF1050MU



- Rapid pre-heat
- All-in-One Oven
- Powerful 3000W 12" and 9" elements
- Steam-assist cleaning cycle
- Easy installation

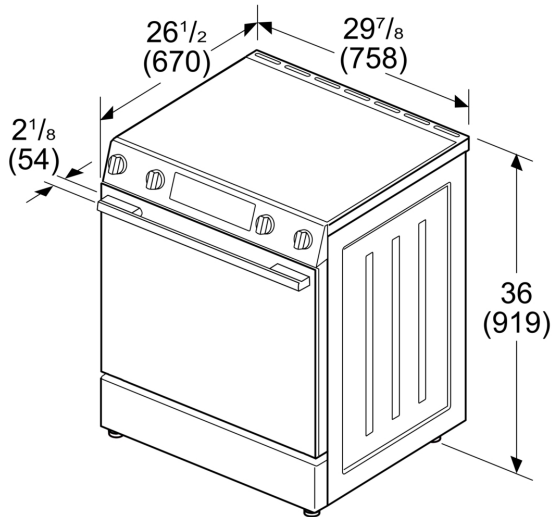
UPC code: 825225974543
 Watts: 13500 W
 Volts:240 V
 Frequency: 60 Hz
 Required Cutout Size (HxWxD) (in):30" width slide-in
 Overall Appliance Dimensions (HxWxD) (in): ..36" x 29 7/8" x 26 1/2"
 Product Packaging Dimensions (HxWxD): 40.15 x 30.70 x 31.96
 Net Weight: 162.000 lbs
 Gross Weight: 183.000 lbs



HEZGR302 Griddle Accessory for Bosch Ranges

**100 Series, Electric Freestanding
Range, 30", Stainless Steel
HEF1050MU**

Measurements in inches (mm)



Measurements in inches (mm)

