

**COOKER HOOD** • User instructions **EN**

**HOTTE DE CUISINE** • Instructions pour l'utilisation **FR**

## MODELS

**KU30 PRO 1XV      K71A.HB4X..UA**

**KU36 PRO 1XV      K31A.HB4X..UA**

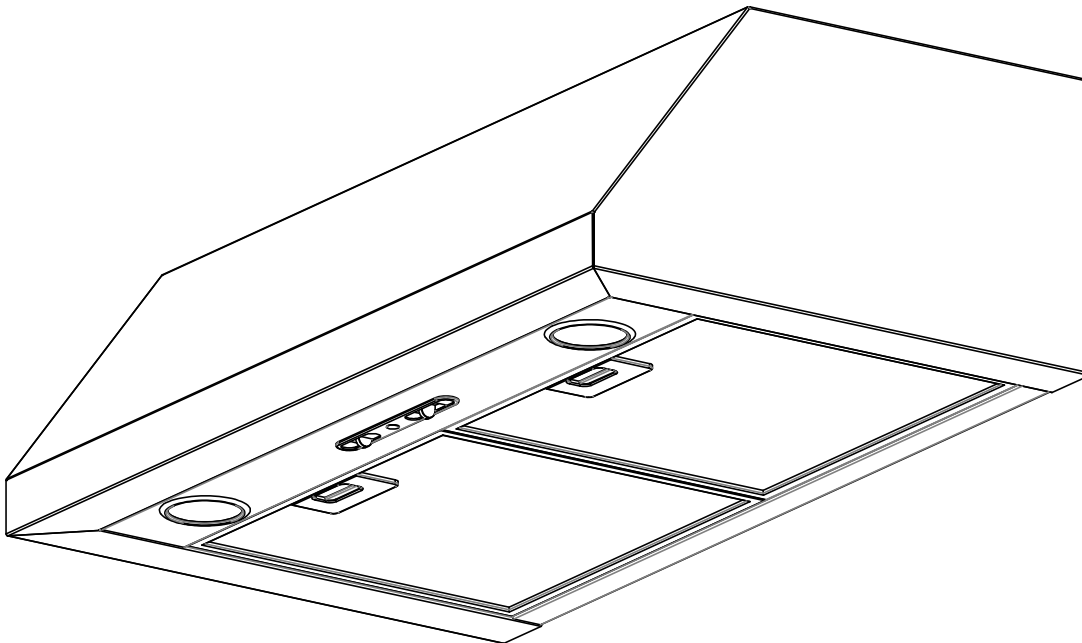


Fig.1

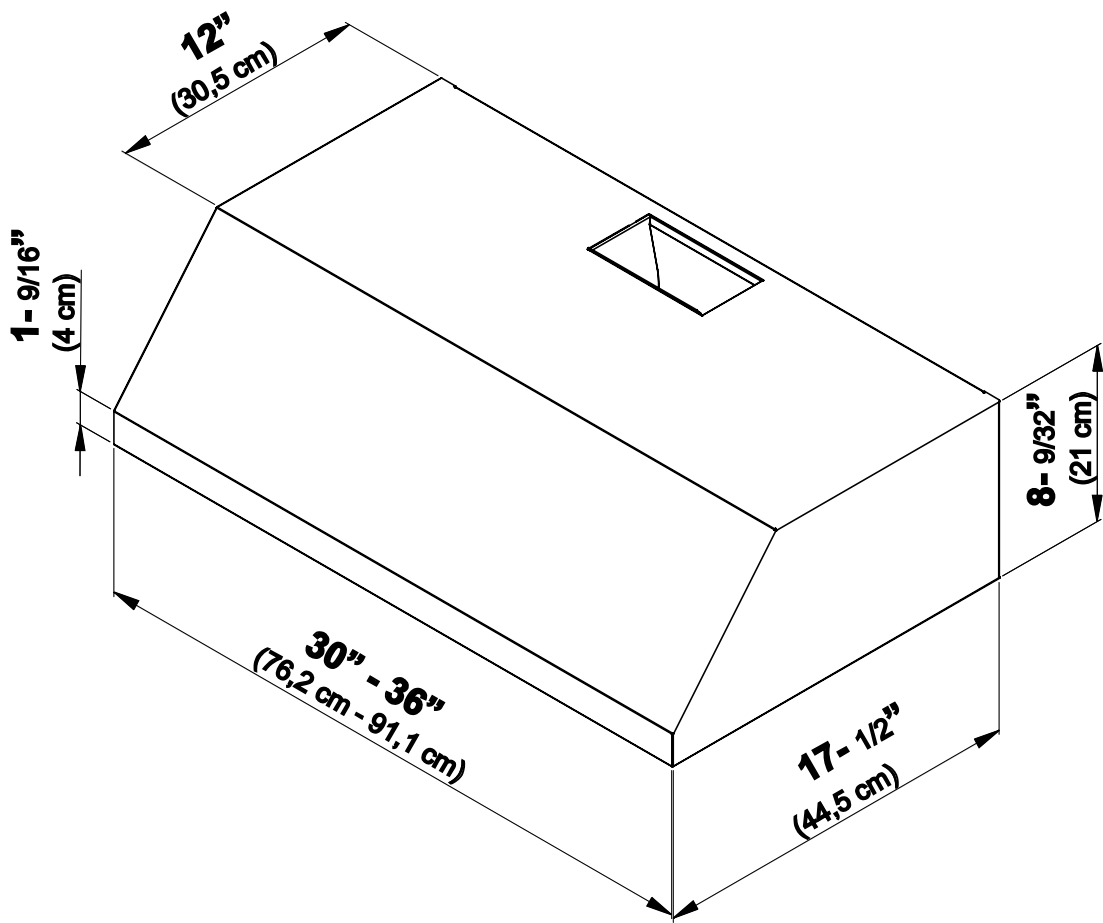


Fig.2

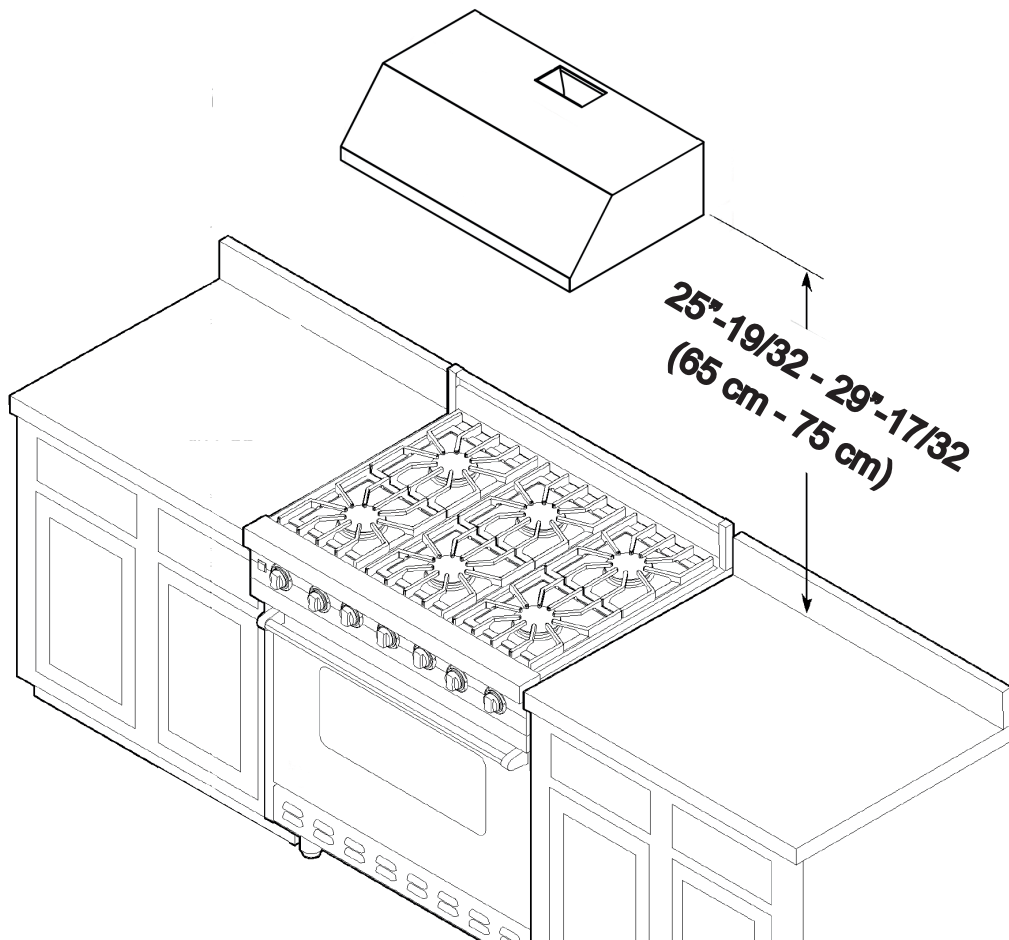


Fig.3

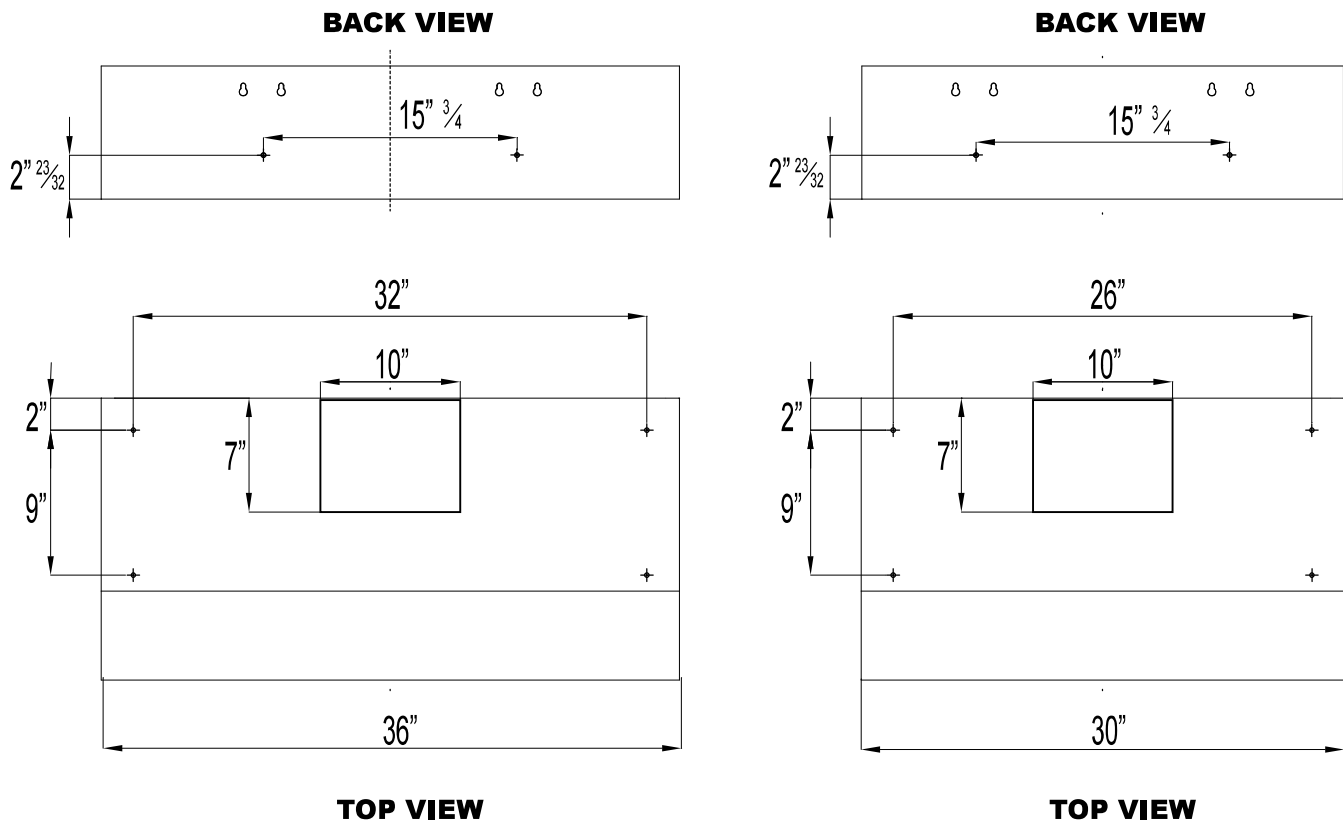


Fig.4

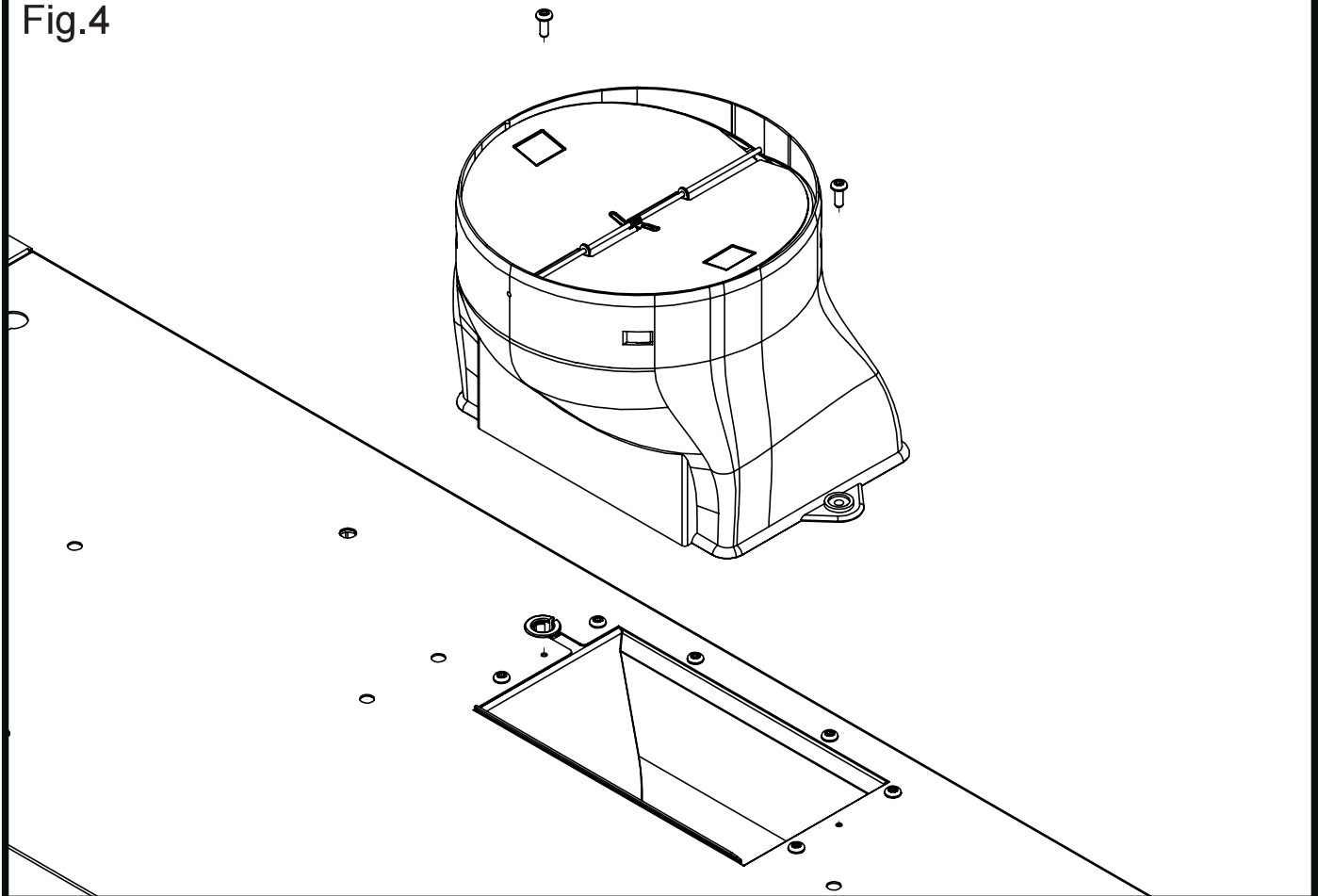


Fig.5

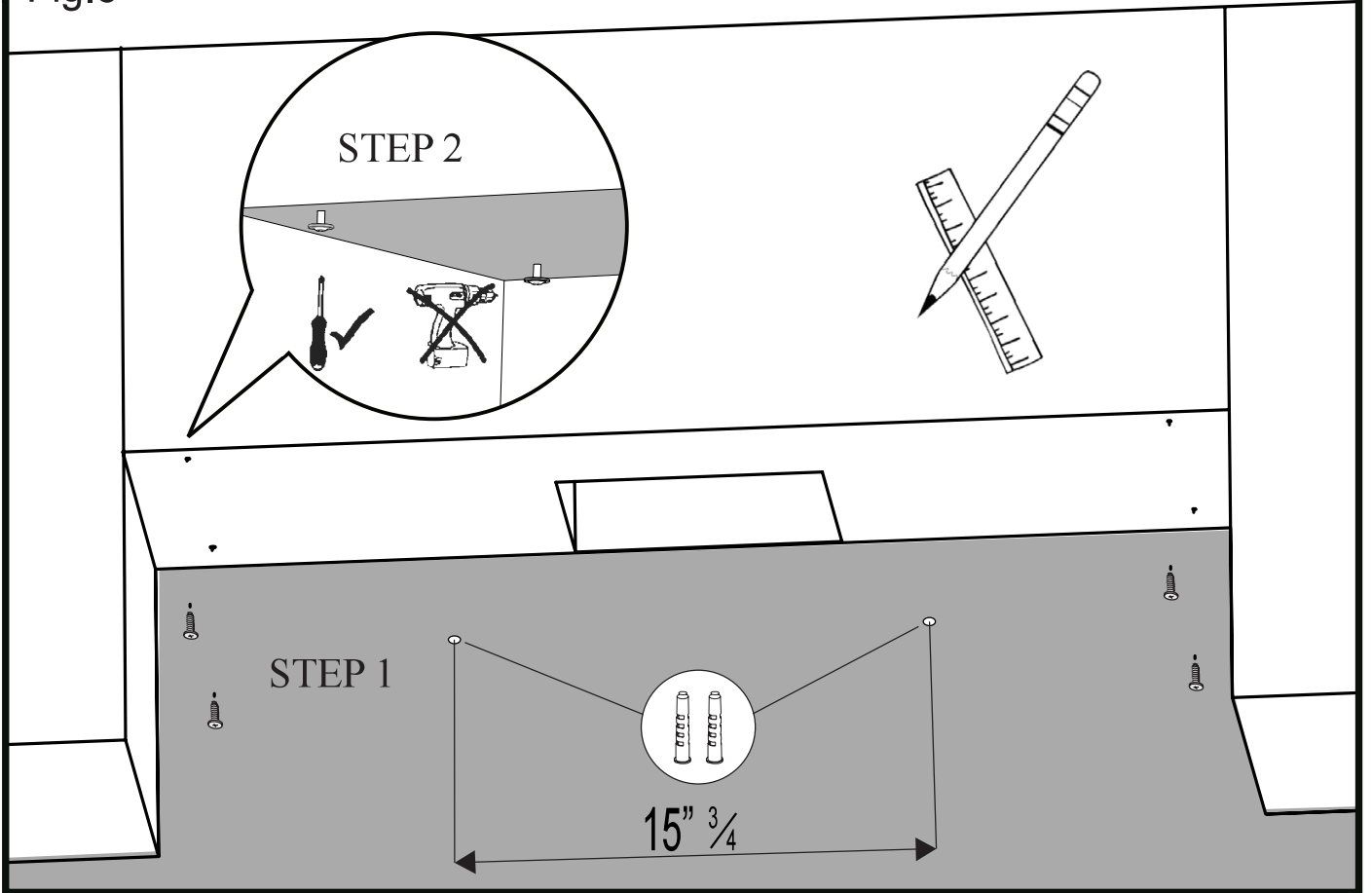


Fig.6

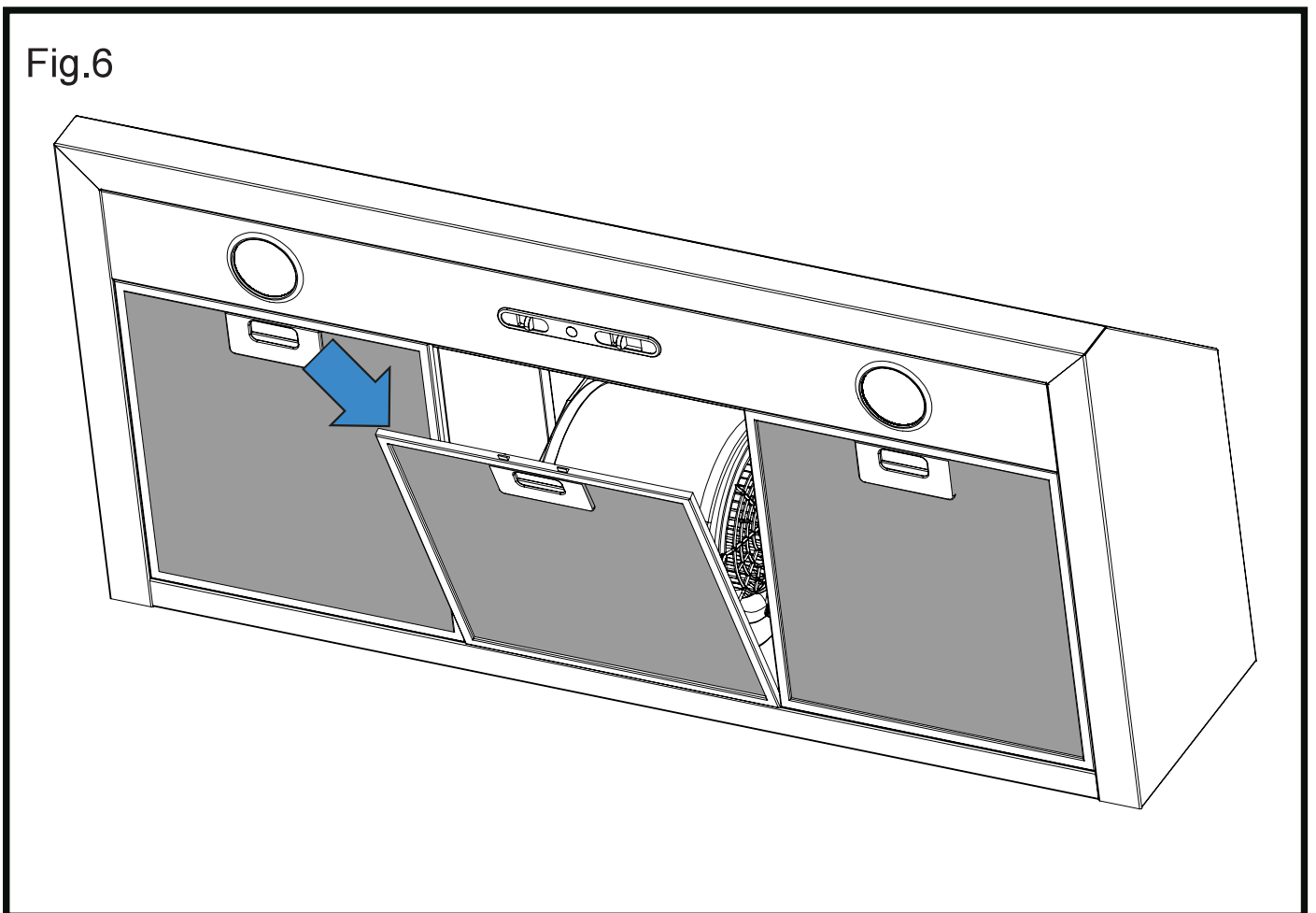


Fig.7

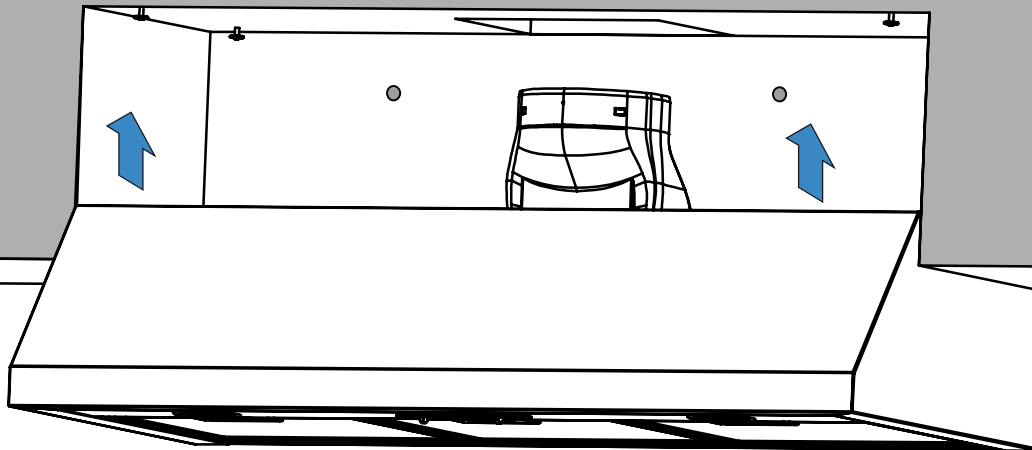


Fig.8

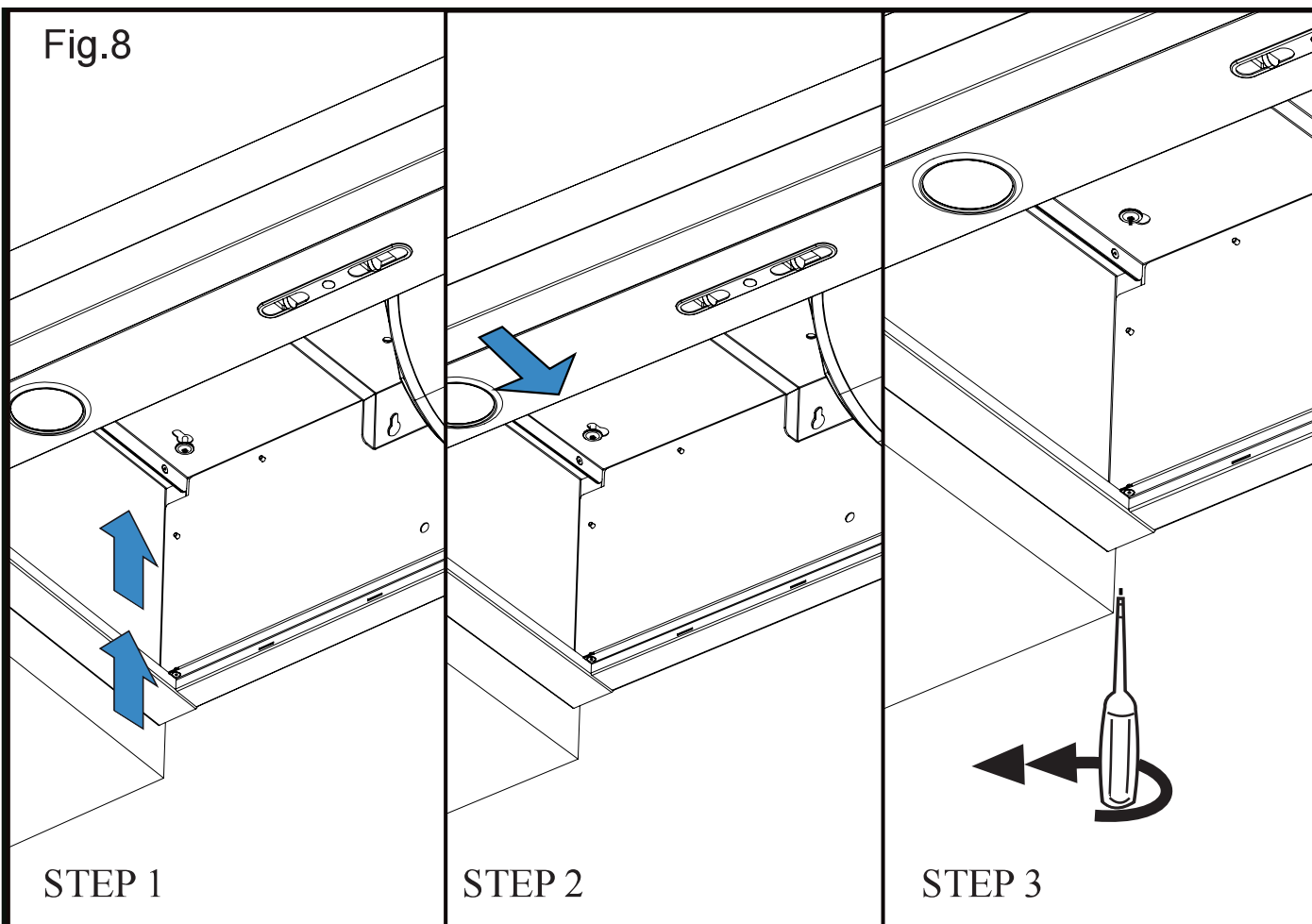


Fig.9

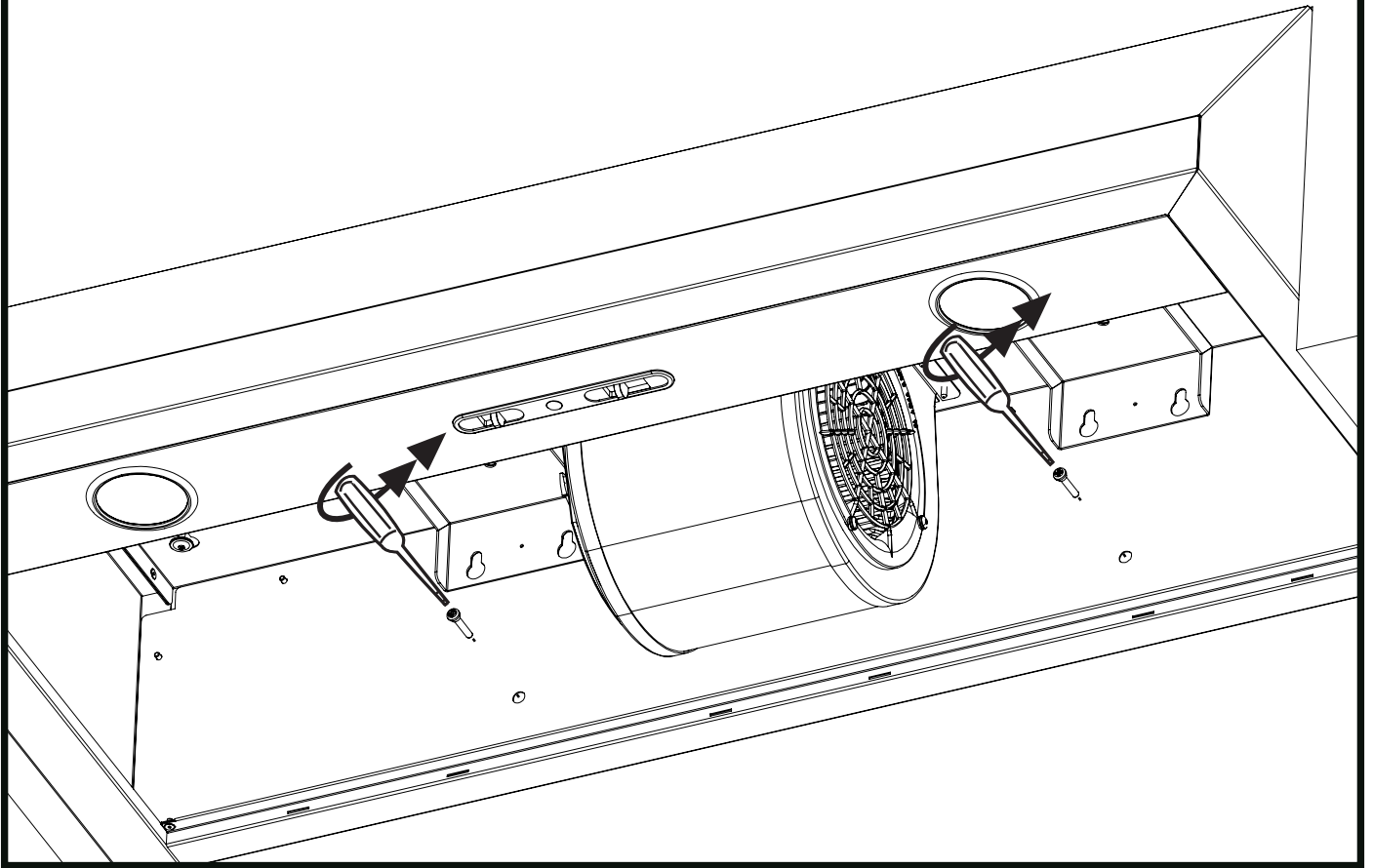
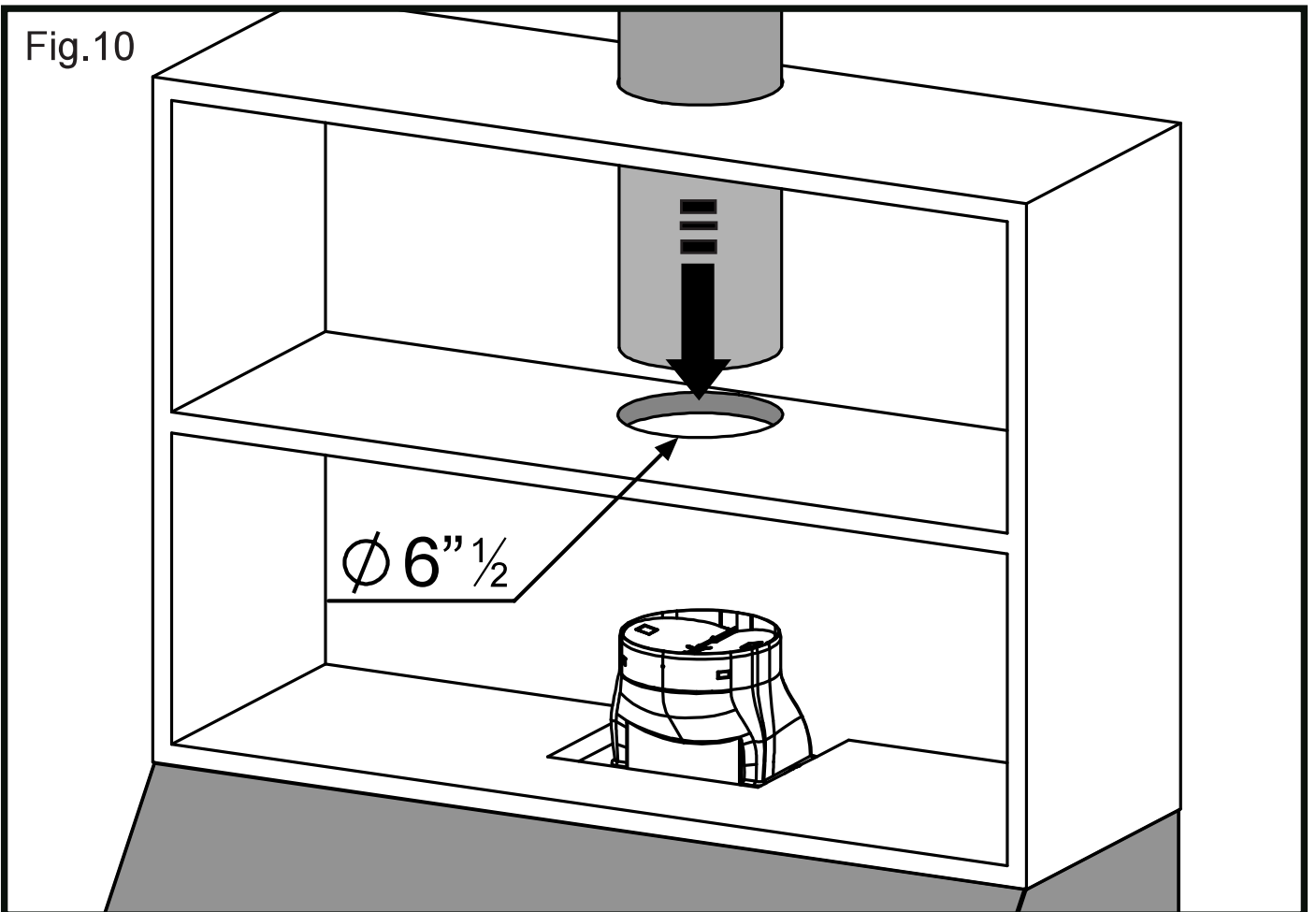


Fig.10



**IMPORTANT SAFETY INSTRUCTIONS**

Carefully read the following important information regarding installation safety and maintenance. **READ AND SAVE THESE INSTRUCTIONS for future reference.**

**REQUIREMENTS:**

120V, 60 Hz. 15A Circuit grounding.

**INTENDED FOR DOMESTIC COOKING ONLY !**

**IMPORTANT SAFEGUARDS**

- Do not connect the exhaust hood to the chimneys, flues and airducting the room.
- The evacuated air must not be let into a warm air duct.
- This appliance must be connected to a system equipped with earth or ground plate.
- When performing maintenance operations, disconnect the appliance from the field connection.
- Do not do any flambè cooking underneath the hood
- When frying, never leave the pan alone because the cooking oil could flare up.
- Clean all the surfaces frequently to avoid danger of fire. To do so use a cloth and or brush soaked in denatured ethyl alcohol. It also important to remove and clean or substitute frequently the filter installed in the hood.
- It advisable to utilise kitchens of the same width as the hood.
- Do not operate with a damaged cord or plug. Discard fan or return to an authorized service facility for examination and/or repair.
- Do not run cord under carpeting. Do not cover with throw rugs, runners or similar coverings. Arrange cord away from traffic area and where it will not be tripped over.
- Do not route cord under furniture or appliances.
- Do not operate any fan with a damaged cord or plug. Discard fan or return to an authorized service facility for examination and/or repair. Do not run cord under carpeting.
- Wiring shall be protected from sharp edges (including male screw threads), burrs, fins, moving parts, and other agencies that might abrade the insulation on conductors.

**INTRODUCTION**

These instructions are designed to tell you of the various technical details of your cooker hood and

to make you familiar with its use. Since these instructions cover more than one type of hood within the same series, it may be that reference is made to components that do not form part of the hood that you are installing. The hood should be used in the exhaust version to discharge all the kitchen vapours and odours out-door of the building. Fittings can vary from country to country. We reserve the right to modify the product without any notice always with the aim of improvements and in compliance with the relevant norms.

**SUGGESTIONS FOR USING THE HOOD IN EXHAUST POSITION**

When an exhaust hood and a heat source requiring ambient air (e.g. gas, oil, coal stoves, etc.) are used at the same time, attention is required because the air necessary for combustion is exhausted from the room through the hood and this creates depression. There is no such danger when the maximum depression in the room is 0,04 mbar. In this condition no exhaust gas from the heat source is piped. To assure this condition, make opening in the room which cannot be closed (doors, windows, etc. are insufficient) and through which the air necessary for combustion can freely flow.

***Note : All the exhaust ductwork in the apartment or house should be studied. In case of doubts, get advice or authorization from the person or agency responsible for the building.***

***Note : The efficiency of the exhaust hood decreases as the length of the ducts and number of increase. When using the exhaust version, follow these rules : Do not connect the exhaust hood to chimneys, flues, and air ducts serving the room. Before venting into exhaust flues and ducts no longer in use, ask for approval of person or agency responsible for the building. The evacuated air must not be let into a warm airduct. For the evacuation of the exhausted air please note official instructions.***

**INSTALLATION**

The hood must be mounted over the centre of cooking area. The minimum distances between the cooking area and the underside of the hood are 650 mm (25"19/32).

***Warning : If the room contains a flued fuel burning appliance which is not of the balance flue type make sure these is an adequate air inlet to the room at all times so that fumes are not drawn the flue.***

***Note : The distances, however, are subject to the safety rules in effect in the various countries. Before drilling the wall make sure that no pipes or cables will be damaged. If there is no outer***



**waste pipe for the exhaust version, an air outlet with a diameter of Ø 160 mm (6"19/64) must be made through the wall.**

## WALL FIXING OF THE COOKER HOOD - INSTALLATION BY MEANS OF THE BRACKET SUPPLIED

- 1) Check the size of the model you have purchased (see picture 1).
- 2) When installing your product comply with the distance from the cooking (see picture 2).
- 3) Make a hole, for air circulation, inside of your furniture (see picture 3).
- 4) Secure the aluminium flange to the hood with two screws (see picture 4).
- 5) Partially tighten the four screws holding the hood to the furniture, make two holes in the wall and insert the two dowels (see picture 5).
- 6) Remove the three metallic filters (see picture 6).
- 7) Place the hood in the four screws on the furniture (see picture 7).
- 8) Push the hood to the wall (see picture 8 step 1 and 2), lock the hood and tighten the four screws (see picture 8 step 3)
- 9) Insert and tighten the two locking screws to the wall (see picture 9).
- 10) Drill a hole for the passage of the air intake duct, insert the tube locking it with the clamp (see picture 10).

## CONNECTION EXHAUST

Link a 150 mm diameter air outlet chimney to the spigot. This pipe is an accessory of the hood.

**Warning : To reduce the risk of fire use only metal ductwork.**

**Attention :** The appliance is provided with a supply cord, the appliance must be positioned so that the plug is accessible.

**Attention :** If there are three wires in the electrical supply cable they must be connected as follows :

Grey/Yellow = ground - White = neutral - Black = line

**Important : The hood manufacturer will not be responsible for any damage or loss caused by failure to observe these instructions.**

**Important : A damage power supply cord must be replaced by the service.**

## WARNING GROUNDING INSTRUCTIONS

This appliance must be grounded. In the event of an electrical short circuit, grounding reduces the risk of electric shock by providing an escape wire for electric current. This appliance is equipped with a cord having a grounding. The plug must be plugged into an outlet that is properly installed and grounded. **WARNING :** Improper grounding can result in a risk

of electrical shock.

Consult a qualified electrician if the grounding instructions are not completely understood, or if doubt exists as to whether the appliance is properly grounded.

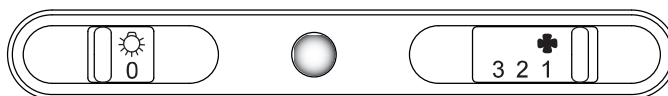
Do not use an extension cord. If the power supply cord is too short have a qualified electrician install an outlet near the appliance.

## USING THE COOKER HOOD

The cooker hood should be switched on either before or the same as cooking or frying commences. The filters are more effective if the fan is not switched off immediately after cooking or frying is completed, but only after a period of some 20-30 minutes. Before using the cooker hood please ensure that all plastic films like on metal grease filter and stainless steel ducting are removed.

## USER INSTRUCTION

The cooker hood is equipped of the following functions (see below) :



- 0☀ - Light OFF
- 1☀ - Light ON
- - Pilot light
- 3 - Third speed (maximum)
- 2 - Second speed (medium)
- 1♣ - First speed (minimum)
- 0♣ - Fan-off

## LAMP REPLACEMENT

The hood has a halogen lamp, take care to not touch with hands when you replace it. Use a dry and not greasy protection (for example a cloth) in order to avoid a direct contact with skin that could make the lamp break. Never use lamps with wattage higher than the one shown on the label inside the hood.

## SAFETY RULES

Do not do any dry flambè cooking underneath the hood. When frying, never leave the pan alone because the cooking oil could flare up. Clean all the surface frequently to avoid danger of fire. This can be done with a cloth or/and with a brush drenched with denatured alcohol or with any other similar substances, except for the button. It also important to remove and clean or substitute frequently the filter installed in the hood.

## MAINTENENCE

**NOTE :** Prior to any maintenance, switch off and



disconnect from the electrical supply.

1) Under normal cooking conditions the grease should be cleaned every 10-15 days in hot water, to which a suitable detergent has been added. For reasons of efficiency and safety regular cleaning is advised. The grease filter may be subject to a small amount of shrinkage initially.

2) The outer casing of the cooker hood should be cleaned with a damp cloth.

#### **GREASE FILTER**

This absorbs vapour-suspended grease particles and protects the kitchen and furniture from grease residues. The filter should be washed every 10 to 15 days (in normal operating conditions). Dip the filter into a degreaser solution or put it in the dishwasher. Make sure not to damage the filter, which is made of several layers of this alloy, by hitting or crushing it. The aluminium filter may change colour, that will have no influence of the efficiency of the filter, may it improve.

#### **REPLACING OR CLEARING THE FILTERS**

Just push the handle towards the rear, proceed with the cleaning and repeat the operation counter clockwise. To remove the aluminium grease filter grab the opening tongue at all filters, pull it in your direction and move the filter downwards. To reinstall it operates reversed.

#### **READ AND SAVE THESE INSTRUCTIONS**

##### **1) WARNING - TO REDUCE THE RISK OF A RANGE TOP FUEASE FIRE :**

- a. Never leave surface units unattended at high settings. Boilovers cause smoking and greasy spills that may ignite. Heat oils slowly on low or medium settings.
- b. Always turn hood ON when cooking at high heat or when flambeing food (le crepes suzette, cherries jubilee, peppercorn beef flambè).
- c. Clean ventilating fans frequently. Grease should not be allowed to accumulate on fan or filter.
- d. Use proper pan size. Always use cookware appropriate for the size of the surface element.

2) **WARNING** : to reduce the risk of fire or electric shock, do not use this fan with any solid state speed control device

##### **3) WARNING TO REDUCE RISK OF FIRE, ELECTRIC SHOCK, OR INJURY TO PERSON, OBSERVE THE FOLLOWING :**

- a. Use this unit only in the manner intended by the manufacturer. If you have questions, contact the manufacturer.
- b. Before servicing or cleaning unit, switch power off at service panel and lock the service disconnecting means to prevent power from being switched on

accidentally. When the service disconnecting means cannot be locked, securely fasten a prominent warning device, such as a tag, to the service panel.

4) **CAUTION** : For general Ventilating use only. Do not use to exhaust hazardous or explosive material and vapors.

##### **5) WARNING TO REDUCE THE RISK OF INJURY TO PERSONS IN THE EVENT OF A RANGE TOP FIRE , OBSERVE THE FOLLOWING :**

- a. Smother flames with a close-fitting lid, cookie sheet, or metal tray, then turn off the burner. BE CAREFUL TO PREVENT BURNS. If the flames do not go out immediately. EVACUATE AND CALL THE FIRE DEPARTMENT.
- b. NEVER PICKUP A FLAMING PAN You may be burned.
- c. DO NOT USE WATER, including wet dishcloths or towels - a violent steam explosion will result.
- d. Use an extinguisher only if :
  1. You know you have a Class ABC extinguisher, and you already know how to operate.
  2. The fire is small and contained in the area where it started.
  3. The fire department is being called.
  4. You can fight the fire with your back to an exit. (based on "Kitchen Fire safety Tips" published by NFPA).

##### **6) WARNING TO REDUCE THE RISK OF INJURY TO PERSONS IN THE EVENT OF A RANGE TOP FIRE , OBSERVE THE FOLLOWING :**

- a. Installation work and electrical wiring must be done by qualified person(s) in accordance with all applicable codes and standards, including fire rated construction.
- b. Sufficient air is needed for proper combustion and exhausting of gases through the flue (chimney) of fuel burning equipment to prevent back drafting. Follow the heating equipment manufacturer's guideline and safety standards such as those published by the National Fire Protection Association (NFPA), and the American Society for heating, refrigeration and air conditioning engineers (ASHRAE) and the local code authorities.
- c. When cutting or drilling into wall or ceiling, do not damage electrical wiring and other hidden utilities.
- d. Ducted fans must always be vented to the outdoors.
- e. If this unit to be installed over a tub or shower, it must be marked as appropriate for the application and be connected to a GFCI (Ground Fault Circuit Interrupter) protected branch circuit.
- f. Never place a switch where it can be reached from a tub or shower.

**CONSIGNES DE SÉCURITÉ IMPORTANTES**

Lisez attentivement les suivantes informations importantes concernant la sécurité d'installation et d'entretien.

**LIRE ET CONSERVER CES INSTRUCTIONS** pour pouvoir les consulter en cas de besoin.

**EXIGENCES:**

120 V, 60 Hz. Mise à la terre du circuit 15A.

**POUR USAGE DOMESTIQUE SEULEMENT!****AVERTISSEMENTS IMPORTANTS**

- Ne pas brancher la hotte à des cheminées, conduits et conduit d'aération de la cuisine.
- L'air évacué ne doit pas être laissé dans un conduit d'air chaud.
- Cet appareil doit être branché à un système d'alimentation muni d'un branchement à la terre efficace, conformément aux normes en vigueur.
- Lorsque vous effectuez des opérations de entretien, débrancher toujours l'appareil.
- Ne pas faire flamber des aliments sous la hotte - en cas de fritures, ne laissez jamais le poêle seul, car l'huile surchauffée peut prendre feu.
- Nettoyez toutes les surfaces fréquemment pour éviter tout risque d'incendie. Pour faire cela, utilisez un chiffon ou une brosse trempé dans de l'alcool éthylique dénaturé. Il est également important d'enlever et nettoyer ou remplacer souvent le filtre installé dans la hotte.
- Il convient d'utiliser des cuisines de la même largeur que la hotte.
- Ne pas utiliser un cordon ou une fiche endommagé. Jeter le ventilateur ou retourner à un centre de service autorisé pour examen et / ou réparation.
- Ne pas faire passer le cordon sous un tapis. Ne couvrez pas par des tapis ou revêtements similaires. Éloigner le cordon des endroits passants où il ne sera pas trébucher. Le câblage doit être protégé contre des bords tranchants (y compris les filetages mâles), les bavures, les nageoires, les pièces mobiles et d'autres organismes pouvant causer une abrasion de l'isolant sur les conducteurs.

**INTRODUCTION**

Ces instructions sont conçues pour vous informer des différents détails techniques de votre hotte et de vous familiariser avec son utilisation. Étant donné que ces instructions couvrent plus d'un type de hotte de la même série, il se peut qu'une brosse trempé référence à des composants qui ne font pas partie de la hotte que vous installez. La hotte doit être utilisée en version aspirante pour acheminer tous les vapeurs de cuisine vers l'extérieur. Raccords peuvent varier d'un pays à l'autre. Nous nous réservons le droit de modifier le produit sans aucun préavis toujours dans le but d'améliorer et en conformité avec les normes pertinentes.

**SUGGESTIONS POUR L'UTILISATION DE LA HOTTE EN VERSION A EVAQUATION**

Quand une hotte aspirante et d'une source de chaleur nécessitant de l'air ambiant (par exemple gaz, poêles à pétrole, charbon, etc) sont utilisés dans le même temps, il est nécessaire faire attention parce que l'air nécessaire à la combustion est évacué du local à travers la hotte, ce qui crée une dépression. Il n'y a pas de danger lorsque le maximum de dépression dans la chambre est 0,04 mbar. Dans cet état, pas de gaz d'échappement à partir de la source de chaleur est acheminée. Pour assurer cette condition, faire une ouverture dans la salle qui ne peut pas être fermé (portes, fenêtres, etc ne sont pas suffisantes) et à travers laquelle l'air nécessaire à la combustion peut s'écouler librement.

**Remarque: Tous les conduits d'échappement dans l'appartement ou de la maison devrait être étudiée. En cas de doute, demandez conseil ou l'autorisation à la personne ou à l'organisme responsable de la construction.**

**Remarque: L'efficacité de la hotte diminue à mesure que la longueur des conduits et le numéro de soufflet augmente. Lorsque vous utilisez la version aspirante, suivez ces règles: Ne pas brancher la hotte à des cheminées, des conduits de fumée et des conduits d'aération de la cuisine. Avant d'évacuer dans les conduits d'échappement et dans les conduits qui ne sont plus en usage, demander l'approbation de la personne ou l'agence responsable à la construction. L'air évacué ne doit pas être laissé dans un conduit d'air chaud. Pour l'évacuation de l'air évacué s'il vous plaît noter les instructions officielles.**

**INSTALLATION**

La hotte doit être monté au centre de la zone de cuisson. La distance entre la cuisinière et la partie la plus basse de la hotte de cuisine est, selon la norme, d'au moins 650 mm. (25 «19/32).

**Attention: Si la hotte est utilisée en même temps que d'autres appareils qui fonctionnent au gaz ou avec d'autres combustibles, le local doit être suffisamment aéré.**

**Remarque: Les distances sont cependant soumis aux règles de sécurité en vigueur dans les différents pays. Avant de percer le mur assurez-vous qu'aucun des tuyaux ou des câbles sera endommagé. S'il n'ya pas de tuyau d'évacuation extérieure pour la version aspirante, une sortie d'air d'un diamètre de Ø 160 mm (6 «19/64) doit être faite à travers la paroi.**

**FIXATION MURALE DE LA HOTTE - INSTALLATION AVEC L'AIDE DES SUPPORT FOURNIS**

- 1) Vérifier la dimension du modèle que vous avez acheté (voir image 1).
- 2) lors de l'installation de votre produit, déterminez la hauteur désirée où placer la hotte (voir image 2).
- 3) faire un trou, pour la circulation d'air, à l'intérieur de vos meubles (voir image 3).

- 4) fixer la bride d'aluminium à la hotte avec deux vis (voir image 4).
- 5) partiellement serrez les quatre vis qui maintiennent la hotte au meuble, faire deux trous dans le mur et insérez les deux chevilles Fischer en plastique (voir image 5).
- 6) enlever les trois filtres métalliques (voir image 6).
- 7) placer la hotte dans les quatre vis sur les meubles (voir image 7).
- 8) Poussez la hotte au mur (voir image 8 étapes 1 et 2), verrouillez la hotte et serrez les quatre vis (voir image 8 étapes 3).
- 9) insérez et serrez les deux vis de fixation au mur (voir image 9).
- 10) percer un trou pour le passage du conduit d'admission d'air, insérer le tube en le bloquant avec la pince (voir image 10).

### CONVOYEUR D'EVACUATION

Lier la cheminée de sortie d'air d'un diamètre de 150 mm à la jonction.. Ce tube est un accessoire de la hotte.

**Attention:** Pour réduire le risque de feu, utiliser seulement un conduit métallique.

**Attention:** L'appareil est fourni avec un cordon d'alimentation, l'appareil doit être placé de sorte que la prise soit accessible.

**Attention:** Si, il ya trois fils dans le câble d'alimentation électrique, ils doivent être connectés comme suit:

Gris / Jaune = mise à la terre - Blanc = neutre - noir = phase

**Important: Le fabricant décline toute responsabilité si les normes de sécurité ne sont pas respectées.**

**Important: Un fil débranché ou coupé doit être remplacé par le service.**

### AVERTISSEMENT INSTRUCTIONS DE TERRE

Cet appareil doit être mis à la terre. Dans le cas d'un court-circuit, mise à la terre réduit le risque de choc électrique en fournissant un circuit de fuite au courant électrique. Cet appareil est équipé d'un cordon muni d'une mise à la terre. La fiche doit être branchée dans une prise de courant correctement installée et mise à la terre.

**AVERTISSEMENT:** Une mauvaise mise à la terre peut entraîner un risque de choc électrique.

Consultez un électricien qualifié si les instructions de mise à la terre ne sont pas complètement comprises ou s'il existe un doute quant à savoir si l'appareil est correctement mis à la terre.

Ne pas utiliser de rallonge. Si le cordon d'alimentation est trop court, un électricien qualifié doit installer une prise près de l'appareil.

### UTILISATION DE LA HOTTE

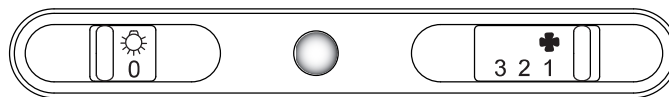
La hotte doit être mis en marche avant ou soit en même temps que la cuisson ou la friture commence. Les filtres sont plus efficaces si le ventilateur n'est pas éteint immédiatement après la cuisson ou la

friture est terminée, mais seulement après une période d'environ 20-30 minutes. Avant d'utiliser la hotte s'il vous plaît s'assurer que tous les films plastiques comme sur le filtre à graisse métallique et sur les conduits en acier inoxydable sont enlevés..

### INSTRUCTIONS D'UTILISATION

La hotte est équipée des fonctions suivantes (voir ci-dessous):

### TABLEAU DE COMMANDES - TYPE SL



- 0☀ - Éclairage OFF
- 1☀ - Éclairage ON
- - Témoin lumineux
- 3 - Troisième vitesse d'aspiration (maximale)
- 2 - Seconde vitesse d'aspiration (moyenne)
- 1+ - Première vitesse d'aspiration (minimale)
- 0+ - Arrêt de l'aspiration

### REPLACEMENT DE LA LAMPE

La hotte a une lampe halogène, prendre soin de ne pas toucher avec les mains quand vous la remplacer. Utiliser une protection sèche et non grasse (par exemple un tissu), afin d'éviter un contact direct avec la peau qui pourrait briser la lampe. Ne jamais utiliser des lampes avec une puissance supérieure à celle indiquée sur l'étiquette à l'intérieur de la hotte.

### RÈGLES DE SÉCURITÉ

Ne pas faire flamber les aliments sous la hotte. Pendant la friture, ne jamais laisser la casserole car l'huile surchauffée peut prendre feu. Nettoyez toute la surface fréquemment afin d'éviter tout risque d'incendie. Cela peut être fait avec un chiffon et / ou avec un pinceau trempé avec de l'alcool dénaturé ou à d'autres substances similaires, à l'exception de la touche. Il est également important d'enlever et nettoyer ou remplacer souvent le filtre installé dans la hotte.

### ENTRETIEN

**REMARQUE:** Avant chaque entretien, éteignez et débranchez l'appareil.

- 1) Dans des conditions normales de cuisson la graisse doit être nettoyé tous les 10-15 jours dans l'eau chaude, en ajoutant un détergent approprié. Pour des raisons d'efficacité et de sécurité, un nettoyage régulier est conseillé. Le filtre anti-graisses peut être soumis à un petit rétrécissement.
- 2) La surface extérieure de la hotte doit être nettoyé avec un chiffon humide.

### FILTRE ANTI-GRAISSE

Ce filtre absorbe les particules de graisse en



suspension vapeur et protège la cuisine et les meubles de résidus de graisse. Le filtre doit être lavé tous les 10 à 15 jours (dans des conditions normales d'utilisation). Trempez le filtre dans une solution de dégraissage ou mettez-le dans le lave-vaisselle. Veillez à ne pas endommager le filtre, qui est fait de severallayers de cet alliage, en en le frappant ou écrasant. Le filtre en aluminium peut changer de couleur, qui n'aura pas d'influence sur l'efficacité du filtre, mais peut l'améliorer.

## REPLACEMENT OU NETTOYAGE DES FILTRES

Il suffit de pousser la poignée vers l'arrière, procéder au nettoyage et répéter l'opération au sens horaire. Pour enlever le filtre anti-graisse en aluminium saisir la languette d'ouverture à tous les filtres, tirez dans votre direction et et déplacer le filtre vers le bas. Pour le réinstaller, cela fonctionne dans l'autre sens.

## LIRE ET CONSERVER CES INSTRUCTIONS

### 1) AVERTISSEMENT - POUR RÉDUIRE LE RISQUE DE FEU DE CUISINIÈRE:

- Ne laissez jamais les éléments de surface sans surveillance à des réglages élevés. Les débordements par bouillonnement causent à un feu doux ou moyen. Chauffez l'huile lentement, à un feu doux ou moyen.
- Toujours mettre la hotte en marche lorsque vous cuisinez à feu vif ou lorsque vous cuisinez des mets flambés (les crêpes Suzette, cerises jubilé, du steak au poivre flambé).
- Nettoyer les ventilateurs fréquemment. Graisse ne doit pas s'accumuler sur le ventilateur ou le filtre.
- Utiliser la taille appropriée de casserole. Toujours utiliser des ustensiles de cuisson approprié à la taille de l'élément de cuisson.

2) **AVERTISSEMENT:** pour réduire le risque d'incendie ou d'électrocution, ne pas utiliser ce ventilateur avec un dispositif de contrôle de vitesse solide

### 3) AVERTISSEMENT POUR RÉDUIRE LES RISQUES D'INCENDIE, DE CHOC ÉLECTRIQUE OU DE BLESSURES CORPORELLES, SUIVEZ LES INSTRUCTIONS SUIVANTES:

- N'utilisez cet appareil que de la manière prévue par le fabricant. Si vous avez des questions, contactez le fabricant.
- Avant de réparer ou de nettoyer l'appareil, coupez le courant au panneau de service et verrouillez le dispositif de sectionnement pour éviter une mise en marche accidentelle. Lorsque le dispositif de sectionnement ne peut être verrouillé, y fixer un avertissement en évidence, comme une étiquette, sur le panneau de service.

4) **ATTENTION:** Pour ventilation générale seulement. Ne pas utiliser pour évacuer des matières dangereuses ou explosives et des

vapeurs.

### 5) AVERTISSEMENT POUR RÉDUIRE LES RISQUES DE BLESSURES EN CAS DE FEU DE CUISINIÈRE, SUIVEZ LES INSTRUCTIONS SUIVANTES:

- Étouffez les flammes avec un couvercle hermétique, une tôle à biscuits ou un plateau métallique, puis éteignez le brûleur. ATTENTION AUX BRÛLURES. Si les flammes ne s'éteignent pas immédiatement. SORTEZ ET APPELEZ LES POMPIERS.
- NE JAMAIS PRENDRE UNE CASSEROLE EN FLAMMES car vous pouvez être brûlé.
- NE PAS UTILISER D'EAU, ni de torchons ou de serviettes mouillés - une explosion de vapeur violente pourrait en résulter.
- Utilisez un extincteur seulement si:
  - Vous savez que vous avez un extincteur de classe ABC et vous savez déjà comment le faire fonctionner.
  - Le feu est petit et limité à la zone où il a commencé.
  - Les pompiers ont été appelé.
  - Vous pouvez combattre l'incendie en faisant dos à une sortie. (basé sur «Kitchen Fire Safety Tips» publié par le PFN A.

### 6) AVERTISSEMENT POUR RÉDUIRE LES RISQUES DE BLESSURES EN CAS DE FEU DE HAUT GAMME, RESPECTEZ LES CONSIGNES SUIVANTES:

- Les travaux d'installation et le câblage électrique doivent être effectués par une personne qualifiée (s) en conformité avec tous les codes et normes applicables, y compris la construction d'incendie nominale.
- Air suffisante est nécessaire pour la combustion et l'évacuation complète des gaz par la cheminée (cheminée) des équipements de combustion pour prévenir un refoulement. Suivez les consignes du fabricant de l'équipement de chauffage et les normes de sécurité telles que celles publiées par la National Fire Protection Association (NFPA) et la Société américaine pour les ingénieurs pour le chauffage, la réfrigération et climatisation (ASHRAE) ainsi que les responsables des codes locaux.
- Lorsque vous coupez ou perforez un mur ou un plafond, ne pas endommager le câblage électrique et autres utilités cachées.
- Les ventilateurs avec conduits doivent toujours être évacués à l'extérieur
- Si cette unités doit être installé sur une baignoire ou d'une douche, Si ces unités doit être installé sur un tube ou d'une douche, il elle doit être marqué comme approprié pour l'application et être connecté à un disjoncteur différentiel (Ground Fault Circuit Interrupter) du circuit de dérivation protégé.
- Jamais Placer un interrupteur où il peut être accessible depuis une baignoire ou une douche.