



**XOP\_SC**  
UNDER CABINET

## HOW BEAUTIFUL KITCHENS BREATHE



**XOP\_SC**

- High-Velocity Blower
- Incomparable handcrafted Italian finish
- 3 speed electronic illuminated controls
- 5 Minute delay function

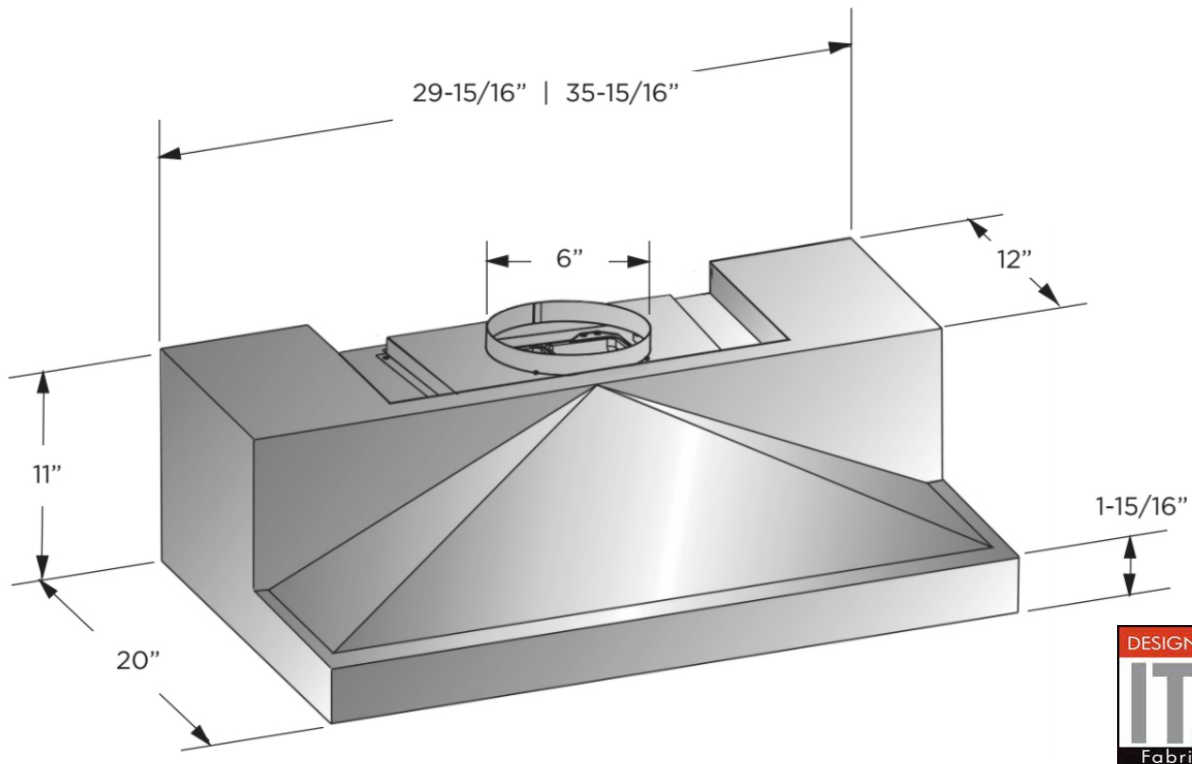
### DESIGNED AND CRAFTED IN ITALY

The XOP Pyramid creates a striking architectural impression with bold angles and smoothly finished edges. Don't let its good looks fool you; it's packed with power to handle even the most skilled cooking tasks. Great design allows venting from the rear, top or recirculating.

At XO, we believe that a good design is something everyone can afford

WORLD CLASS SERVICE | COMPREHENSIVE WARRANTIES  
OUR LASTING COMMITMENT TO YOU





### FEATURES

FINISH

Stainless Steel

FEATURES

- Electronic 3 Speed Control + Power Boost
- CCC Code Compliance Control - 395 or 600 CFM
- High Efficiency 3000K LED Lights (x2)
- High Velocity Blower optimally removes Smoke, Grease and Odors
- Dishwasher Safe Aluminum Mesh Filter
- 6" Top or Rear Duct or Recirculating (Kit Sold Separately)
- 5 Minute Delay Shutoff Timer
- Made In Italy

### PERFORMANCE

SPEED	1	2	3	BOOST
CFM	160	250	395	600
SONES	1.0	2.5	4.0	6.5

### SPECIFICATIONS

**ELECTRICAL** 115VAC 60HZ 4.0 AMP

**DIMENSIONS**  
 H 11"  
 W 30" - 36"  
 D 20"

**MOUNTING HEIGHT**  
 ABOVE COOKING 27" - 32"

**DUCTING OPTIONS**  
 6 inch round top or rear venting  
 Ductless Option for applications where no ducting is available

**OPTIONS**  
 Recirculation Kit **XORFK04**  
 Recirculation Filters **XORFRND**  
 Make Up Air Kit (6") **XOMA06**

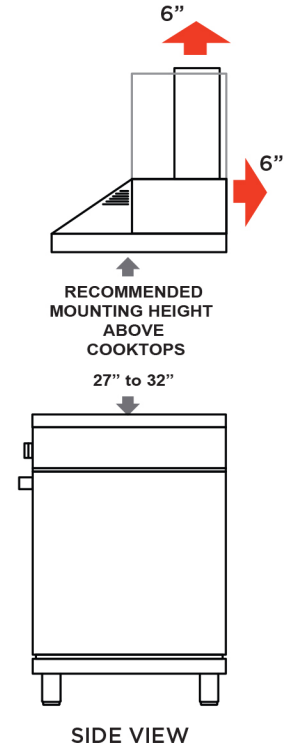
### RECOMMENDED MOUNTING HEIGHT

All range hoods have a recommended range of installation height over the cooking surface. However cooking styles, types of cooking equipment and installation limitation can vary greatly. For installations outside the recommended range - consult XO.

THESE MODELS HAVE A 6" DIAMETER EXHAUST DUCT WHICH MAY BE CONFIGURED FOR TOP OR REAR DISCHARGE - CONSULT MANUAL FOR ADDITIONAL INFORMATION.

### RECIRCULATION

These XOP models may be installed with an optional recirculation kit when venting outside is not practical. The recirculation kit includes a vented housing that mounts on top of the hood. This housing adds 2-1/4" to the height of the unit. Never discharge the exhaust into a confined space such as a soffit, attic, garage, crawl space or the voids between walls.



### HOW DOES CODE COMPLIANCE CONTROL HELP -



**CODE COMPLIANCE CONTROL (CCC)** enables the installer to re-program the hood as it is being installed. **Your XO Hood is set to operate at 600 CFM maximum at the factory.**

Re-programming is accomplished quickly and requires no special tools or additional parts but once done, the air flow rate is limited to a maximum of 395 CFM below the 400 CFM cap that most local codes impose eliminating the need for additional controls.

Re-programming also disables the Power Boost function. After conversion, the installer affixes a label stating the unit has been converted to 395 CFM max. Once done, the unit cannot be changed back.

If your application calls for a make-up air solution, XO gives you more choices.