

Microwave Oven

User manual

ME21D*6300****



SAMSUNG

Contents

Important safety instructions 3

What you need to know about safety instructions	3
Precautions to avoid possible exposure to excessive microwave energy	3
Important safety symbols and precautions	3
California proposition 65 warning	6
Grounding instructions	7
Use of extension cords	7
Critical installation warnings	8
Installation cautions	9
Critical usage warnings	9
Usage cautions	10
Critical cleaning instructions	11

Setting up your new microwave oven 12

Checking the parts	12
Setting up your microwave oven	13
Installing the metal shelf	13
Learning about the control panel	13
Set Time	14
Turn Table (On/Off)	14
Kitchen Timer	14
Child Lock	14
Stop Button	15
Eco Mode	15
+30 sec	15
Cooktop Lamp (High/Low/Off)	15
Vent Fan (4/3/2/1/Off)	15
System Settings	15
Smart control	16
Voice control	17
Auto connectivity	18

Using your microwave oven 19

Microwave	19
Power levels	19
One-stage cooking	19
Multi-stage cooking (maximum of 2 stages)	19
Popcorn	19
Reheat	20
Defrost	20

Sensor Cook	21
Auto Cook	23
Keep Warm	28

Cookware guide 29

Recommended cooking utensils	29
Limited use items	29
Not recommended	29
Testing utensils	29

Cooking guide 30

Cooking techniques	30
General cooking recommendations	31
Guide for cooking eggs in your microwave	31
Guide for cooking vegetables in your microwave	31

Cleaning and maintaining your microwave oven 32

Cleaning the exterior	32
Cleaning under your microwave oven	32
Cleaning the control panel	32
Cleaning the door and door seals	32
Cleaning the interior	32
Cleaning the turntable and roller rings	32
Storing and repairing your microwave oven	33
Replacing the cooktop/night light	33
Replacing the oven light	33
Cleaning the grease filter	34
Replacing the charcoal filter	34

Troubleshooting 35

Check points	35
Information codes	39

Appendix 39

Specifications	39
----------------	----

Warranty (USA) 40

Warranty (CANADA) 41

Important safety instructions

Congratulations on your new Samsung microwave oven. This manual contains important information on the installation, use and care of your appliance. Please take time to read this manual to take full advantage of your microwave oven's many benefits and features.

WHAT YOU NEED TO KNOW ABOUT SAFETY INSTRUCTIONS

Warnings and Important Safety Instructions in this manual do not cover all possible conditions and situations that may occur. It is your responsibility to use common sense, caution, and care when installing, maintaining, and operating your microwave oven.

PRECAUTIONS TO AVOID POSSIBLE EXPOSURE TO EXCESSIVE MICROWAVE ENERGY

- A. Do not attempt to operate this oven with the door open since open-door operation can result in harmful exposure to microwave energy. It is important not to defeat or tamper with the safety interlocks.
- B. Do not place any object between the oven front face and the door or allow soil or cleaner residue to accumulate on the sealing surface.
- C. Do not operate the oven if it is damaged. It is particularly important that the oven door close properly and that there is no damage to the:
 - 1. Door (bent),
 - 2. Hinges and latches, (broken or loosened),
 - 3. Door seals and sealing surface.
- D. The oven should not be adjusted or repaired by anyone except properly qualified service personnel.

IMPORTANT SAFETY SYMBOLS AND PRECAUTIONS

What the icons and signs in this user manual mean:

 **WARNING**









Hazards or unsafe practices that may result in **severe personal injury or death**.

 **CAUTION**

Hazards or unsafe practices that may result in **minor personal injury or property damage**.

 **CAUTION**

To reduce the risk of fire, explosion, electric shock, or personal injury when using your microwave oven, follow these basic safety precautions.

- | | |
|---|--|
|  Do NOT attempt. |  Unplug the power plug from the wall socket. |
|  Do NOT disassemble. |  Make sure the machine is grounded to prevent electric shock. |
|  Do NOT touch. |  Call the service center for help. |
|  Follow directions explicitly. |  Note |

These warning signs are here to prevent injury to you and others. Please follow them explicitly. After reading this section, keep it in a safe place for future reference.

Important safety instructions

1. FCC Notice

FCC STATEMENT:

This equipment generates and uses ISM frequency energy and if not installed and used properly, that is in strict accordance with the manufacturer's instructions, may cause interference to radio and television reception. It has been type tested and found to comply with limits for ISM Equipment pursuant to part 18 of FCC Rules, which are designed to part 18 of FCC Rules, which are designed to provide residential installation.

However, there is no guarantee that interference will not occur in a particular installation. If this equipment does cause interference to radio or television reception, which can be determined by turning the equipment off and on, the user is encouraged to try to correct the interference by one or more of the following:

- Reorient the receiving antenna of the radio or television.
- Relocate the Microwave Oven with respect to the receiver.
- Move the microwave oven away from the receiver.

- Plug the microwave oven into a different outlet so that the microwave oven and the receiver are on different branch codes.

The manufacturer is not responsible for any radio or TV interference caused by unauthorized modification to this microwave oven. It is the responsibility of the user to correct such interference.

This equipment has been tested and found to comply with the limits for a Class B digital device, pursuant to part 15 of the FCC Rules. These limits are designed to provide reasonable protection against harmful interference in a residential installation.

This equipment generates, uses and can radiate radio frequency energy and, if not installed and used in accordance with the instructions, may cause harmful interference to radio communications. However, there is no guarantee that interference will not occur in a particular installation. If this equipment does cause harmful interference to radio or television reception, which can be determined by turning the equipment off and on, the user is encouraged to try to correct the interference by one or more of the following measures:

SAVE THESE INSTRUCTIONS

-
- Reorient or relocate the receiving antenna.
 - Increase the separation between the equipment and receiver.
 - Connect the equipment into an outlet on a circuit different from that to which the receiver is connected.
 - Consult the dealer or an experienced radio/TV technician for help.

To satisfy FCC RF exposure requirements, a separation distance of 20 cm or more should be maintained between the antenna of this device and persons during device operation. To ensure compliance, operations at closer than this distance is not recommended.

WARNING: Any changes or modifications to this unit not expressly approved by the party responsible for compliance could void the user's authority to operate the equipment.

2. IC Notice

The term "IC" before the radio certification number only signifies that Industry Canada technical specifications were met. Operation is subject to the following two conditions: (1) this device may not cause interference, and (2) this device must accept any interference, including interference that may cause undesired operation of the device. This Class B digital apparatus complies with Canadian ICES-003. For products available in the US/Canadian markets, only channels 1~11 are available. You cannot select any other channels.

IC RADIATION EXPOSURE STATEMENT:

This equipment complies with IC RSS-102 radiation exposure limits set forth for an uncontrolled environment. This equipment should be installed and operated so there is at least 8 inches (20 cm) between the radiator and your body. This device and its antenna(s) must not be co-located or operated in conjunction with any other antenna or transmitter.

SAVE THESE INSTRUCTIONS

Important safety instructions

CALIFORNIA PROPOSITION 65 WARNING

WARNING

Cancer and Reproductive Harm - www.P65Warnings.ca.gov

WARNING

To reduce risk of burns, electric shock, fire, personal injury or exposure to excessive microwave energy:

1. Read all safety instructions before using the appliance.
2. Read and follow the specific **Precautions to avoid possible exposure to excessive microwave energy on page 3**.
3. This appliance must be grounded. Connect only to properly grounded outlets. See Important **Grounding instructions on page 7** of this manual.
4. Install or locate this appliance only in accordance with the provided installation instructions.
5. Some products such as whole eggs and sealed containers (for example, closed glass jars) can explode if heated rapidly. Never heat them in a microwave oven.
6. Use this appliance only for its intended use as described in the manual. Do not put corrosive chemicals or vapors in or on this appliance. This type of oven is specifically designed to heat, cook, or dry food. It is not designed for industrial or laboratory use.
7. As with any appliance, close supervision is necessary when it is used by children. Keep children away from the door when opening or closing it as they may bump themselves on the door or catch their fingers in the door.
8. Do not operate this appliance if it has a damaged cord or plug, if it is not working properly, or if it has been damaged or dropped.
9. This appliance should be repaired or serviced only by qualified service personnel. Contact the nearest authorized service facility for examination, repair, or adjustment.

SAVE THESE INSTRUCTIONS

10. Do not cover or block any openings on the appliance.
11. Do not tamper with or make any adjustments or repairs to the door.
12. Do not store this appliance outdoors. Do not use this product near water, for example, near a kitchen sink, in a wet basement, near a swimming pool, or similar locations.
13. Do not immerse the cord or plug in water.
14. Keep the cord away from heated surfaces. (including the back of the oven).
15. Do not let the cord hang over the edge of a table or counter.
16. When cleaning surfaces of the door and oven that come together when the door closes, use only mild, nonabrasive soaps, or detergents applied with a sponge or soft cloth. Unplug the plug before cleaning.
17. To reduce the risk of fire in the oven cavity:
 - a. Do not overcook food. Carefully attend the appliance when paper, plastic, or other combustible materials are placed inside the oven to facilitate cooking.
 - b. Remove wire twist-ties from paper or plastic bags before placing the bags in the oven.
 - c. If materials inside the oven ignite, keep the oven door closed, turn the oven off, and disconnect the power cord, or shut off the power at the fuse or circuit breaker panel. If the door is opened, the fire may spread.
 - d. Do not use the cavity for storage purposes. Do not leave paper products, cooking utensils, or food in the cavity when not in use.
18. Liquids, such as water, milk, coffee, or tea can be overheated beyond the boiling point without appearing to be boiling. Visible bubbling or boiling when the container is removed from the microwave oven is not always present. **THIS COULD RESULT IN VERY HOT LIQUIDS SUDDENLY BOILING OVER WHEN THE CONTAINER IS DISTURBED OR A SPOON OR OTHER UTENSIL IS INSERTED INTO THE LIQUID.** To reduce the risk of injury:
 - a. Do not overheat liquid.
 - b. Stir liquid both before and halfway through heating it.
 - c. Do not use straight-sided containers with narrow necks.
 - d. After heating, allow the container to stand in the microwave oven for a short time before removing the container.
 - e. Use extreme care when inserting a spoon or other utensil into the container.

19. Oversized foods or oversized metal utensils should not be inserted into the microwave oven as they may cause a fire or risk of electric shock.
20. Do not clean the microwave with a metal scouring pad. A piece of metal could come off the pad, contact electrical parts, and cause an electric shock.
21. Do not put paper products into the oven when you are operating it in the toaster mode.
22. Do not store any materials, other than manufacturer's recommended accessories, in this oven when not in use.
23. Do not cover the racks or any other part of the oven with metal foil. This will cause the oven to overheat.

CAUTION

1. Clean Ventilating Hoods Frequently - Grease should not be allowed to accumulate on the hood of the filter.
2. When flaming foods under the hood, turn the fan on.
3. Use care when cleaning the vent-hood filter. Corrosive cleaning agents, such as lye-based oven cleaner, may damage the filter.

GROUNDING INSTRUCTIONS

This appliance must be grounded. In the event of an electrical short circuit, grounding reduces the risk of electric shock by providing an escape wire for the electrical current. This appliance is equipped with a cord that includes a grounding wire and a grounding plug. The plug must be plugged into an outlet that is properly installed and grounded.

WARNING

Improper use of the grounding plug can result in a risk of electric shock.

- Plug into a grounded, 3 pronged outlet. Do not remove the third (grounding) prong. Do not use an adaptor or otherwise thwart the safety function of the grounding plug.
- Consult a qualified electrician or service person if you do not understand the grounding instructions or if you are not sure if the appliance is properly grounded.
- We do not recommend using an extension cord with this appliance. If the power-supply cord is too short, have a qualified electrician or serviceman install an outlet near the appliance. However, if it is necessary to use an extension cord, read and follow the 'Use of Extension Cords' section below.

USE OF EXTENSION CORDS

A short power-supply cord is provided to reduce the risk of your becoming entangled in or tripping over a longer cord. Longer cord sets or extension cords are available and you can use them if you exercise care. If you use a long cord or an extension cord:


1. The marked electrical rating of the cord set or extension cord should be at least as great as the electrical rating of the appliance.
2. The extension cord must be a grounding-type 3-wire cord and it must be plugged into a 3-slot outlet.
3. The longer cord should be arranged so that it will not drape over the counter top or tabletop where it can be pulled on by children or tripped over accidentally. If you use an extension cord, the interior light may flicker and the speed of the blower may vary when the microwave oven is on. Cooking times may be longer too.

SAVE THESE INSTRUCTIONS

Important safety instructions

CRITICAL INSTALLATION WARNINGS


- ★ This appliance must be installed by a qualified technician or service company.
 - Failing to have a qualified technician install the oven may result in electric shock, fire, an explosion, problems with the product, or injury. Unpack the oven, remove all packaging material and examine the oven for any damage such as dents on the interior or exterior of the oven, broken door latches, cracks in the door, or a door that is not lined up correctly. If there is any damage, do not operate the oven and notify your dealer immediately.
- Make sure to install your oven in a location with adequate space. Remove all foreign substances such as dust or water from the power plug terminals and contact points using a dry cloth on a regular basis.
 - Unplug the power plug and clean it with a dry cloth.
 - Failing to do so may result in electric shock or fire.
- Plug the power cord into a properly grounded 3 pronged outlet. Your oven should be the only appliance connected to this circuit.
 - Sharing a wall socket with other appliances, using a power strip, or extending the power cord may result in electric shock or fire.
 - Do not use an electric transformer. It may result in electric shock or fire.
 - Ensure that the voltage, frequency and current provided match the product's specifications. Failing to do so may result in electric shock or fire.
- Keep all packaging materials out of the reach of children. Children may use them for play.

 This appliance must be properly grounded. Read and follow the specific **Grounding instructions** found in the beginning of this section. Do not ground the appliance to a gas pipe, plastic water pipe, or telephone line.

- This may result in electric shock, fire, an explosion, or problems with the product.
- Never plug the power cord into a socket that is not grounded correctly and make sure that it is grounded in accordance with local and national codes.

Do not cut or remove the third (ground) prong from the power cord under any circumstances.

The microwave requires a separate branch circuit single grounded outlet of at least 15 A and max of 20 A.

 Do not install this appliance in a humid, oily, or dusty location, or in a location exposed to direct sunlight or water (rain drops).


- This may result in electric shock or fire.
- Plug the power plug into the wall socket firmly. Do not use a damaged power plug, damaged power cord, or loose wall socket.
- This may result in electric shock or fire.
- Do not mount over a sink.

Do not pull or excessively bend the power cord.

Do not twist or tie the power cord.

Do not hook the power cord over a metal object, place a heavy object on the power cord, insert the power cord between objects, or push the power cord into the space behind the appliance.

- This may result in electric shock or fire.
- Do not pull the power cord when you unplug the oven.
- Unplug the oven by pulling the plug only.
 - Failing to do so may result in electric shock or fire.

 If the power plug or power cord is damaged, contact your nearest service center for a replacement or repair.

SAVE THESE INSTRUCTIONS

INSTALLATION CAUTIONS

- ★ Position the oven so that the plug is easily accessible.
 - Failing to do so may result in electric shock or fire due to electric leakage.
- 🔌 Unplug the oven when it is not being used for long periods of time or during a thunder/lightning storm.
 - Failing to do so may result in electric shock or fire.

CRITICAL USAGE WARNINGS

- ★ If the microwave appliance is flooded, please contact your nearest Samsung service center. Failing to do so may result in electric shock or fire. Read and follow the specific '**Precautions to Avoid Possible Exposure to Excessive Microwave Energy**', found in the beginning of this Safety Information Section.

If the microwave generates a strange noise, a burning smell or smoke, unplug it immediately and contact your nearest Samsung service center.

 - Failing to do so may result in electric shock or fire.

In the event of a gas leak (propane gas, LP gas, etc.), ventilate the room immediately. Do not touch the microwave, power cord, or plug.

 - Do not use a ventilating fan.
 - A spark may result in an explosion or fire.

Take care that the door or any of the other parts do not come into contact with your body while the microwave is cooking or just after cooking.

 - Failing to do so may result in burns.

- ★ In the event of a grease fire on the surface units below the microwave oven, smother the flaming pan on the surface unit by covering the pan completely with a lid, a cookie sheet, or a flat tray.

Never leave surface units beneath your microwave oven unattended at high heat settings. Boil overs cause smoking and greasy spillovers that may ignite and spread if the vent fan is operating. To minimize automatic fan operation, use adequate sized cookware and use high heat on surface units only when necessary.

If materials inside the microwave oven should ignite, keep the oven door closed, turn the oven off and disconnect the power cord, or shut off power at the fuse or circuit breaker panel. If the door is opened, the fire may spread. Use of inadequately sized cookware on top of the stove may result in melting of microwave door or other damage.

 - Always observe safety precautions when using your microwave oven. Never try to repair the oven on your own. There is dangerous voltage inside. If the oven needs to be repaired, contact an authorized service center near you.
- 🔌 Do not attempt to repair, disassemble, or modify the appliance yourself.
 - Because a high voltage current enters the product chassis during operation, opening the chassis can result in electric shock or fire.
 - You may be exposed to electromagnetic waves.
 - If your microwave oven requires repair, contact your nearest Samsung service center.
- 🔌 If any foreign substance such as water enters the microwave, unplug it, and then contact your nearest service center.
 - Failing to do so may result in electric shock or fire.

SAVE THESE INSTRUCTIONS

Important safety instructions

- ❑ Do not touch the power plug with wet hands.
 - This may result in electric shock.
 - Do not turn the appliance off by unplugging the power plug while the appliance is in operation.
 - Plugging the power plug into the wall socket again may cause a spark and result in electric shock or fire.
- Keep all packaging materials well out of the reach of children. Packaging materials can be dangerous to children.
- If a child places a bag over its head, the child can suffocate.
- Do not let children or any person with reduced physical, sensory or mental capabilities use this appliance unsupervised. Make sure that the appliance is out of the reach of children.
- Failing to do so may result in electric shock, burns, or injury.
- Do not touch the inside of the appliance immediately after cooking. The inside of the appliance will be hot.
- The heat on the inside of your microwave oven can cause burns.
- Do not put aluminum foil (except as specifically directed in this manual), metal objects (such as containers, forks, etc.), or containers with golden or silver rims into the microwave.
- These objects can cause sparks or a fire.
- Do not use or place flammable sprays or objects near the microwave oven.
- Heat from the microwave can cause flammable sprays to explode or burn.
 - Failing to do so may result in electric shock or injury.
- Do not tamper with or make any adjustments or repairs to the door. Under no circumstances should you remove the outer cabinet.
- Do not store or use your microwave oven outdoors.

USAGE CAUTIONS

- ★ If the surface of the microwave is cracked, turn it off.
 - Failing to do so may result in electric shock.Dishes and containers can become hot. Handle with care.
Hot foods and steam can cause burns. Carefully remove container coverings, directing steam away from your hands and face.
Remove lids from baby food before heating. After heating baby food, stir well to distribute the heat evenly. Always test the temperature by tasting before feeding the baby. The glass jar or surface of the food may appear to be cooler than the food in the interior, which can be so hot that it will burn the infant's mouth.
Make sure all cookware used in your microwave oven is suitable for microwaving.
Use microwavable cookware in strict compliance with such manufacturer's recommendations.
- ❑ Do not stand on top of the microwave or place objects (such as laundry, oven covers, lighted candles, lighted cigarettes, dishes, chemicals, metal objects, etc.) on the appliance.
 - Items, such as a cloth, may get caught in the door.
 - This may result in electric shock, fire, problems with the product, or injury.Do not operate the appliance with wet hands.
 - This may result in electric shock.Do not spray volatile material such as insecticide onto the surface of the appliance.
 - As well as being harmful to humans, it may also result in electric shock, fire or problems with the product.Do not place the appliance over a fragile object such as a sink or glass object.
 - This may result in damage to the sink or glass object.

SAVE THESE INSTRUCTIONS

-
- ❑ Do not put your face or body close to the appliance while it is cooking or when opening the door just after cooking.
 - Take care that children do not come too close to the appliance.
 - Failing to do so may result in children burning themselves.
 - Do not place food or heavy objects over the door.
 - When you open the door, the food or object may fall and this may result in burns or injury.
 - Do not abruptly cool the door, the inside of the appliance, or the dish by pouring water over it during or just after cooking.
 - This may result in damage to the appliance. The steam or water spray may result in burns or injury.
 - Do not cook without the glass tray in place on the oven floor. Food will not cook properly without the tray.
 - Do not defrost frozen beverages in narrow-necked bottles. The containers can break.
 - Do not scratch the glass of your microwave oven door with a sharp object.
 - This may result in the glass being damaged or broken.
 - Do not store anything directly on top of the appliance when it is in operation.
 - Do not use sealed containers. Remove seals and lids before use. Sealed containers can explode due to buildup of pressure even after the oven has been turned off.

CRITICAL CLEANING INSTRUCTIONS

- Do not clean the appliance by spraying water directly onto it. Do not use benzene, thinner, or alcohol to clean the appliance.
- This may result in discoloration, deformation, damage, electric shock, or fire.
- Before cleaning or performing maintenance, unplug the appliance from the wall socket. Then, remove food waste from the door and cooking compartment.
- Failing to do so may result in electric shock or fire.
- Take care not to hurt yourself when cleaning the appliance. (external/internal)
- You may hurt yourself on the sharp edges of the appliance.
- Do not clean the appliance with a steam cleaner.
- This may result in corrosion.
- Keep the inside of your microwave oven clean. Food particles or spattered oils stuck to the oven walls or floor can cause paint damage and reduce the efficiency of the oven.

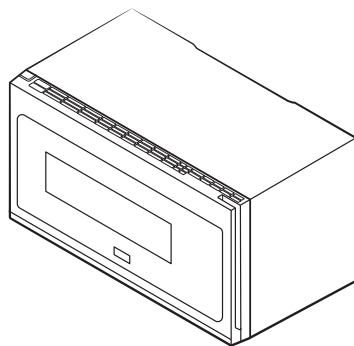
SAVE THESE INSTRUCTIONS

Setting up your new microwave oven

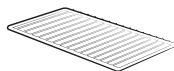
Be sure to follow these instructions closely so that your new microwave oven works properly.

Checking the parts

Carefully unpack your microwave oven, and make sure you've received all the parts shown below. If your microwave oven was damaged during shipping, or if you do not have all the parts, contact the Samsung Call Center. (Refer to the **WARRANTY AND SERVICE INFORMATION** on page 40.)



Microwave oven



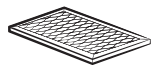
* Shelf



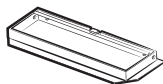
* Glass tray



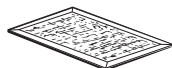
* Roller guide ring



* Charcoal filter



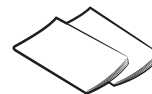
* Exhaust adaptor



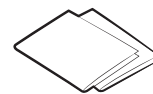
* Grease filters (2 ea)



* Hardware kit
(Screws & Brackets)



Manuals
(User & Installation)

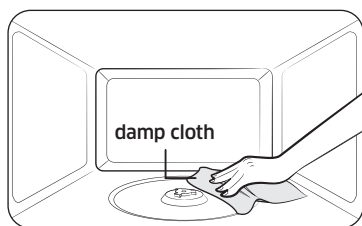


Templates
(Top & Wall)

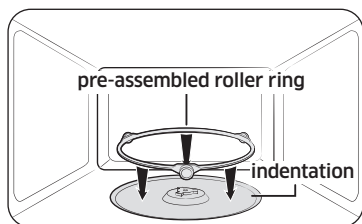
NOTE

If you need an accessory marked with an * (asterisk), please contact the Samsung Call Center using the phone number listed on the last page of this manual or visit our on-line parts web site at www.samsungparts.com.

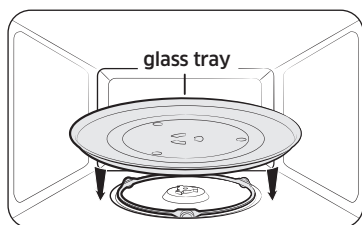
Setting up your microwave oven



1. Open the door by pulling the handle on the right side of the door.
2. Wipe the inside of your microwave oven with a damp cloth.



3. Install the pre-assembled ring into the indentation at the center of the microwave oven.



4. Place the glass tray securely in the center of the pre-assembled roller ring.

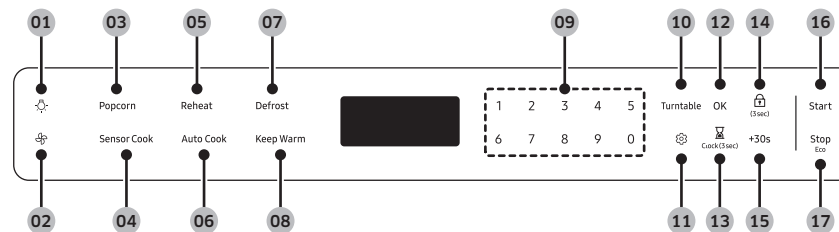
Installing the metal shelf

When you need to use the Metal Shelf, place it on the plastic hooks inside your oven and make sure it is positioned properly to avoid electrical arcing that can damage your oven.

⚠ CAUTION

Make sure the shelf is positioned properly inside the microwave to prevent damage to the oven from arcing.

Learning about the control panel



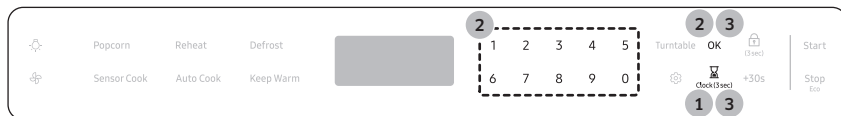
- 01 Cooktop Lamp Button (High/Low/Off)
- 02 Vent Fan Button (4 Speed & On/Off)
- 03 Popcorn Button
- 04 Sensor Cook Button
- 05 Reheat Button
- 06 Auto Cook Button
- 07 Defrost Button
- 08 Keep Warm Button
- 09 Number Pad

- 10 Turntable Button
- 11 Settings Button
- 12 OK Button
- 13 Kitchen Timer/
Clock Setting Button
- 14 Child Lock Button
- 15 +30 sec Button
- 16 Start Button
- 17 Stop Eco Button

Setting up your new microwave oven

Set Time

Your microwave oven is equipped with a built-in clock. Set the clock when first installing your microwave oven or after a power failure. The time is displayed whenever the microwave oven is not being used.



1. Touch and hold the **Clock** button for 3 seconds.
2. Use the **numeric** buttons to enter the time and then touch the **OK** button.
3. For 12 hour display mode, touch **Clock** button to set AM or PM and then touch **OK** button.

Turn Table (On/Off)



1. Touch the **Turntable** button to turn it on or off.

NOTE

You can use this feature only on manual cooking mode. If the turntable does not rotate for an extended period of time, food may burn. For best cooking results, leave the turntable feature on.

CAUTION

The turntable may become too hot to touch. Use pot holders to handle the turntable during and after cooking.

Kitchen Timer

Your microwave has a built-in timer function - the **Kitchen Timer**. Use the Kitchen Timer for timing up to 99 minutes, 99 seconds.




1. Touch the **Kitchen Timer** button.
2. Use **numeric** buttons to set the time.
3. Touch the **OK** button.
4. The display counts down, and then beeps when the time has elapsed.
5. To cancel the timer setting, touch the **Stop** button.

Child Lock

The **Child Lock** function allows you to lock all buttons so that the microwave oven cannot be operated by children accidentally.



Activating / Deactivating

1. If you want to activate or deactivate the child lock function, touch the **Child Lock** button for 3 seconds. The display will show  when the oven is locked.

Stop Button

The **Stop** button allows you to clear instructions you have entered. It also allows you to pause your microwave oven's cooking cycle, so that you can check the food.

- To pause the oven during cooking, touch the **Stop** button once.
To restart, touch the **Start** button.
- To stop cooking, erase instructions, and return the oven display to the time of day, touch the **Stop** button twice.
- To clear instructions you have just entered, touch the **Stop** button once, and then re-enter the instructions.
- To cancel a timer setting, touch the **Stop** button once.

Eco Mode

Eco Mode reduces standby power usage. When you touch the **Stop Eco** button once, the display will go out and the microwave shifts to a mode which minimizes power usage. To cancel the **Eco mode**, touch any button.

+30 sec

This feature offers a convenient way to increase cooking time in manual cooking mode.

1. In standby mode, touching **+30 sec** button will add 30 seconds of microwave mode.
2. If the oven is in manual cooking mode, touching **+30 sec** button will add cooking time by 30 seconds.

Cooktop Lamp (High/Low/Off)

Touch the **Cooktop Lamp** button to turn the cooktop lamp on or off. Touch the button once for high, twice for low and three times to turn the cooktop lamp off.

Vent Fan (4/3/2/1/Off)

The vent fan removes steam and other vapors that result from cooking on the cooktop below.

Touch the **Vent Fan** button once for boost fan, twice for high fan, three times for medium fan and four times for low fan speed. Touch the button five times to turn the fan off.

NOTE

- The exhaust fan's speed may decrease when the oven's cooking function is activated.
- The Vent Fan protects the microwave from excess heat. It automatically turns on if it senses too much heat. If you have turned the fan on, you may find that you cannot turn it off. The fan will automatically turn off when the internal parts are cooled down. It may stay on for 30 minutes or more after the cooktop and microwave controls are turned off.

System Settings

You can customize your new microwave oven to suit your preferences. To customize :



1. Touch the **Settings** button.
2. Touch the **numeric** buttons (1 - 6) to select a function you want to customize and then touch **OK** button.
3. Touch number **1** or **2** to change the options and then touch **OK** button.

Setting up your new microwave oven

The functions and options are listed in the table below.

Function	Description	Options	
1 Filter Remind	The filter remind function can be turned on and off.	1	On
		2	Off
2 Weight Unit	Weight option can display in either pounds or grams.	1	lb
		2	g
3 Sounds	You can turn the sound on and off.	1	On
		2	Off
4 Remind End Signal	The remind end signal can be turned on and off.	1	On
		2	Off
5 Use 24-hour format	The clock can display in either the 12 hr or 24 hr time mode.	1	12hr
		2	24hr
6 Wi-Fi	The Wi-Fi function can be turned on and off.	1	On
		2	Off

NOTE


- If you change your mind while adjusting a setting, touch the **Stop** button to go back, and then adjust the setting again.
- If there is a power interruption, you will need to reset these options.
- If the **Filter Remind** function is On, the microwave will remind you to clean or replace the grease filter every four months. When it is time to clean or replace the grease filter, the microwave displays the 'Filter' message to remind you to clean or replace the grease filter. To remove the message, touch the number 0 when the microwave is in standby mode. If you don't want to receive this message, set the **Filter Remind** function Off in **System Settings**.

Smart control

To use the microwave oven's Smart Control, you must download the SmartThings app to a mobile device.

Functions operated by the SmartThings app may not work smoothly if communication conditions are poor or the microwave oven is installed in a place with a weak Wi-Fi signal.

How to connect the microwave oven

1. Download and open the SmartThings app on your smart device.
2. Follow the app's on-screen instructions to connect your microwave oven.
3. To operate smart control function from the microwave oven, touch and hold **OK** button for 3 seconds.
4. Once the process is complete, the  icon appears on your microwave oven display and the app will confirm you are connected.
5. If the connection icon does not turn on, follow the instruction on the app to reconnect.

Microwave Oven remote control using the SmartThings app	
Microwave Oven Monitoring	Check the status of the microwave oven
Microwave Oven Remote Control	Remotely control vent fan speed/cooktop lamp

NOTE

- For safety reasons, you cannot turn on the microwave oven remotely and you must specify the cooking time to enable remote control.
- Smart Control will not work properly if the Wi-Fi Connection is unstable.

Voice control

To use the microwave oven's Voice Control function, you need Bixby / Amazon Alexa App /Google Assistant App on your mobile device.

Bixby

Start conversation with Bixby on SAMSUNG mobile by saying "Hi Bixby" or by pressing the side key.

Function	OTR Bixby Command		
Turn Off/Stop	<ul style="list-style-type: none"> Cancel the microwave Turn off the microwave 		
Check Time	<ul style="list-style-type: none"> Check the remaining time of the microwave How much time is left on the microwave timer? 		
Check Status	<ul style="list-style-type: none"> Check the microwave status Check the status of the microwave 		
MW Hood Control	<ul style="list-style-type: none"> Turn On/Off the microwave hood light Trun On/Off hood power of microwave Turn On/Off hood fan of microwave Set the microwave hood fan speed to boost/high/mid/low 		
Send Auto Cook Recipe	<ul style="list-style-type: none"> Cook pizza Heat pizza I want to cook pizza Can you cook pizza? 	<ul style="list-style-type: none"> Cook pizza for 2 Heat pizza for 2 I want to cook pizza for 2 Can you cook pizza for 2? 	<ul style="list-style-type: none"> Cook 2 slices of pizza Heat 2 slices of pizza I want to cook 2 slices of pizza Can you cook 2 slices of pizza?

Amazon Alexa & Google Assistant

Samsung smart home appliances are supported by SmartThings skill in Alexa & action in Google Assistant.

Installation Guide

Here's how to link SmartThings account into Amazon Alexa or Google Assistant. SmartThings App and Alexa App (or Google Assistant App) Should be installed on your phone.

1. Setup the supported devices to SmartThings.
2. After device setup, tap + button on the screen.
3. Tap **Voice assistant** and link your Samsung account to Amazon Alexa. (or Google Assistant)
4. Check the devices are visible on Amazon Alexa app. Then account linking is complete. (Check the devices are visible and set the location(home&room) of devices in Google home app. Then account linking is complete.)

Function	'Alexa'	'OK Google'
Turn Off/Stop	<ul style="list-style-type: none"> Turn off the microwave Stop the microwave 	<ul style="list-style-type: none"> Turn off the microwave Stop the microwave
Check Status	<ul style="list-style-type: none"> Is the microwave running? Is the microwave on? 	<ul style="list-style-type: none"> Is the microwave running? Is the microwave on?
MW Hood Control	<ul style="list-style-type: none"> Turn On/Off the (hood light, hood lamp, lamp,light) on microwave Turn On/Off the (hood light, hood lamp) Set the microwave (brightness, light level, lamp level) to [low, high] Turn On/Off the (hood, fan, hood fan) on microwave[device name] Turn On/Off the (hood, hood fan) Set the microwave (hood, fan, hood fan) speed to [low, medium, high, boost] 	<ul style="list-style-type: none"> Turn On/Off the microwave (light, lamp) Turn On/Off the (hood light, hood lamp) Set the microwave (brightness, light level, lamp level) to [low, high] Turn On/Off the (hood, fan, hood fan) on microwave Turn On/Off the (hood, hood fan) Set the microwave (hood, fan, hood fan) speed to [low, medium, high, boost]



Setting up your new microwave oven

Function	'Alexa'	'OK Google'	
Send Auto Cook Recipe	• Cook pizza	• Cook pizza for 2	• Cook 2 slices of pizza
	• Heat pizza	• Heat pizza for 2	• Heat 2 slices of pizza
	• I want to cook pizza	• I want to cook pizza for 2	• I want to cook 2 slices of pizza
	• Can you cook pizza?	• Can you cook pizza for 2?	• Can you cook 2 slices of pizza?

NOTE

- For safety reasons, you cannot turn on the microwave oven remotely.
- Below table is available menu for Send Auto Cook Recipe function.

Food	Amount	Instructions
Popcorn	3.0 oz	Cook only one microwave popcorn bag at a time. Be careful when removing the heated bag from the oven and opening it.
	3.5 oz	
Potatoes	2 potatoes	Pierce each potato several times with a fork. Place on the turntable in a spoke-like fashion. After cooking, let the potatoes stand for 3 - 5 minutes.
	4 potatoes	
Pizza	2 slices	Place pizza slices on a microwave-safe plate with the wide ends of the slices towards the outside edge of the plate. Do not let the slices overlap. Do not cover.
	4 slices	
Spinach	2 servings	Wash and clean the spinach. Place the spinach in a microwave safe bowl. Add 1 - 4 tablespoons of water (1 Tbsp per serving). Cover during cooking and stir afterwards.
	4 servings	
Brown Rice	1 serving	Place 0.5 cups brown rice + 1 cup water for 2 servings or 1 cup brown rice + 2 cups water for 4 servings in a microwave safe bowl. Stir well before and fluff with a fork afterwards. Let stand 5 minutes before serving.
	2 servings	
Fish Fillets	1 serving	Put the fresh fillets (cod, pollack, etc.) in a dish, and then cover with plastic wrap. Place the dish on the center of the turntable.
	2 servings	

Food	Amount	Instructions
Chicken Nuggets	1 serving	Place a paper towel on a plate and arrange the frozen nuggets in a spoke-like fashion on the paper towel. Do not cover. Let stand for a minute after heating.  NOTE Refer to the package directions for the serving size and the amount of food.
	2 servings	
French Fries	1 serving	Place two paper towels on a microwave-safe plate and arrange the frozen french fries on the towels without letting them overlap. Blot the fries with additional paper towels after removing from the oven. Let stand for a minute.  NOTE Refer to the directions on the packaging for the serving size and the amount of food.
	2 servings	
Melt Butter	1 stick	Remove the wrapping and cut the butter in half vertically. Place the butter in a dish and cover with wax paper. Stir well after finishing and let stand for 1 - 2 minutes.
	2 sticks	
Soften Cream Cheese	1 package	Unwrap the cream cheese and place on a microwave-safe container. Cut in half vertically. Let stand for 2 minutes.

Auto connectivity

Auto Connectivity function lets you quickly connect the hood via Wi-Fi with a compatible Samsung cooktop after the hood and cooktop have been paired. To turn the function on, press the Auto Connectivity button in SmartThings App. To disconnect the hood and cooktop, press the Auto Connectivity button again. While the hood and cooktop are connected, the hood fan will automatically turn on when you turn on the cooktop. The hood fan will also turn off automatically when you turn off the cooktop.

NOTE

Auto connectivity function may not work normally when the temperature is set high.

Using your microwave oven

Microwave

Your microwave oven allows you to set two different cooking stages, each with its own time length and power level. The power level lets you control the heating intensity from Warm (1) to High (10).

Power levels

The 10 power levels allow you to choose the optimal power level for your cooking needs.

Power Level	Description	Power Level	Description		
1	10	Warm	6	60	Simmer
2	20	Low	7	70	Medium high
3	30	Defrost	8	80	Reheat
4	40	Medium low	9	90	Sauté
5	50	Medium	10	100	High

One-stage cooking



1. In standby mode, touch the **numeric** buttons to set a cooking time. You can enter a time from one second to 99 minutes and 99 seconds. To select a time greater than 1 minute, enter the seconds too. (For example, to set a cooking time of 20 minutes, enter **2, 0, 0, 0**.) If you do not need to set the power level, just touch the **Start** button. The microwave will automatically operate at the High power level.
2. If you want to set the power level to a level other than High, touch the **OK** button.
3. Touch the **numeric** buttons that correspond to the power level you want to use.
4. Touch the **Start** button. If you want to add the cooking time, touch **+30 sec** button. You can adjust the cooking time while the microwave oven is operating.

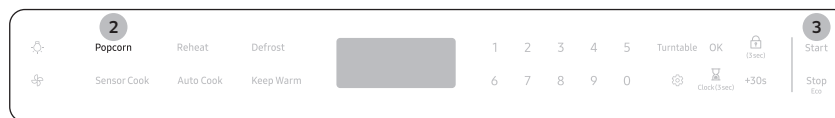
Multi-stage cooking (maximum of 2 stages)

Your oven allows you to set two different cooking stages, each with its own time length and power level. The power level lets you control the heating intensity from Warm to High.

1. Follow steps 1, 2, and 3 from the **One-stage cooking** section.
2. Touch the **OK** button to move to the second stage.
3. Follow steps 1, 2, 3, and 4 from the **One-stage cooking** section.

Popcorn

You can easily cook popcorn using the **Popcorn** button. You do not need to set either the cooking time or the power level.

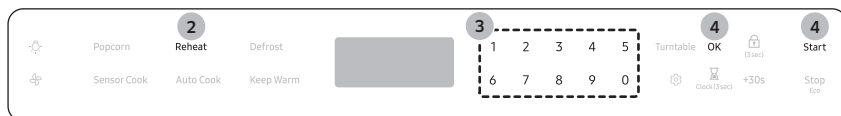


1. Put a bag of unpopped popcorn on the tray.
2. Touch the **Popcorn** button.
3. Touch **Start** button. The microwave oven will automatically operate by sensing the popcorn inside. (3 - 3.5 OZ)

Using your microwave oven

Reheat

You can reheat foods easily using the Reheat button. You do not need to set either the cooking time or the power level.



1. Put the food on the tray.
2. Touch the **Reheat** button.
3. Select food item by touching **numeric** buttons (1 - 3).
4. Touch **OK** or **Start** button. The microwave oven will automatically operate by sensing the food inside.

	Food	Amount	Directions
1	Casserole	1 - 4 servings	Cover the plate with a lid or vented plastic wrap. If the food is not as hot as you would like after using the Sensor Cooking Reheat function, continue heating using additional time and power. Stir the food once before serving. Contents: Casserole, refrigerated foods.
2	Dinner Plate	1 - 4 servings	Use only precooked, refrigerated foods. Cover the plate with vented plastic wrap or waxed paper tucked under the plate. If the food is not as hot as you would like after using the Sensor Cooking Reheat function, continue heating using additional time and power. Contents: 3 - 4 oz. meat, poultry or fish (up to 6 oz. with bone), ½ cup starch (potatoes, pasta, rice, etc.), ½ cup vegetables (about 3 - 4 oz).
3	Pasta	1 - 4 servings	Cover the plate with a lid or vented plastic wrap. If the food is not as hot as you would like after using the Sensor Cooking Reheat function, continue heating using additional time and power. Stir the food once before serving. Contents: Pasta - canned spaghetti and ravioli.

Defrost

To thaw frozen foods, enter the weight of the food, and the microwave automatically sets the defrosting time, power level, and standing time.



1. Touch the **Defrost** button.
 2. Touch the **numeric** buttons to directly enter the weight of the food. (0.1 - 6.0 lbs, 100 - 2700 gr. See below table)
 3. Touch **OK** or **Start** button.
 4. The oven will beep during the defrosting process. Open the oven door, and turn the food over.
- If you do not turn the food over when the oven beeps, the microwave will continue until the end of cooking time.

Food	Amount	Instructions
Roast Beef, Pork	2.5 - 6.0 lbs.	Start with the food placed fat side down. After each stage, turn the food over and shield any warm portions with narrow strips of aluminum foil. Let stand, covered for 10 - 20 minutes.
Steaks, Chops, Fish	0.5 - 3.0 lbs.	After each stage, rearrange the food. If there are any warm or thawed portions of food, shield them with narrow, flat pieces of aluminum foil. Remove any pieces of food that are nearly defrosted. Let stand, covered for 5 - 10 minutes.
Ground Meat	0.5 - 3.0 lbs.	After each stage, remove any pieces of food that are nearly defrosted. Let stand, covered with foil for 5 - 10 minutes.

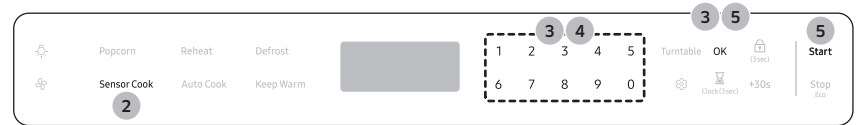
Food	Amount	Instructions
Whole Chicken	2.5 - 6.0 lbs.	Before freezing the poultry, remove the giblets. When you defrost the poultry, start defrosting with the breast side down. After the first stage, turn the chicken over and shield any warm portions with narrow strips of aluminum foil. After the second stage, again shield any warm portions with narrow strips of aluminum foil. Let stand, covered for 30 - 60 minutes in the refrigerator.
Chicken Pieces	0.5 - 3.0 lbs.	After each stage, rearrange or remove any pieces of food that are nearly defrosted. Let stand for 10 - 20 minutes.

NOTE

Check the food when you hear the oven signal. After the final stage, small sections may still be icy; let them stand to continue the thawing process. The food is not defrosted until all ice crystals have melted. Shielding roasts and pieces of steak using small pieces of foil prevents the edges from being cooked before the center of the food has defrosted. Use narrow, flat, smooth strips of aluminum foil to cover edges and thinner sections of the food.

Sensor Cook

The Sensor Cook buttons lets you cook favorite foods using preset power levels and times. If the food is not thoroughly cooked after using Sensor Cook feature, complete the cooking process by cooking the food for an additional amount of time.



1. Put the food on the tray.
2. Touch the **Sensor Cook** button.
3. Select category of food by touching **numeric** buttons (1 - 4) and then touch **OK** button.
4. Select food item by touching **numeric** buttons if needed.
5. Touch **OK** or **Start** button. The microwave oven will automatically operate by sensing the food inside.

Category	Food	Amount	Instructions
1	Potato	- 1 - 6 potatoes.	Pierce each potato several times with a fork. Place on the turntable in a spoke-like fashion. After cooking, let the potatoes stand for 3 - 5 minutes. Let the microwave oven cool for at least 5 minutes before using it again.
2	Pizza	- 1 - 4 slices	Place 1 - 4 pizza slices on a microwave-safe plate with the wide ends of the slices towards the outside edge of the plate. Do not let the slices overlap. Do not cover. Let the microwave oven cool for at least 5 minutes before using it again.

Using your microwave oven

Category		Food	Amount	Instructions
3	Cook	1 Beverage	1 cup	Use a measuring cup or mug and do not cover. Place the beverage in the microwave oven. After heating, stir well. Let the oven cool for at least 5 minutes before using it again.
		2 Chicken Breasts	8 - 24 oz.	Pierce the chicken breasts 3 times with a knife. Place the chicken breasts on a microwave safe plate and cover with vented plastic wrap. Cook to an internal temperature of 165 °F. Let stand for 5 minutes.
		3 Frozen Breakfast	4 - 8 oz.	Follow the package instructions for covering and letting stand. Use this button for frozen sandwiches, breakfast entrees, pancakes, waffles, etc. Let the microwave oven cool for at least 5 minutes before using it again.
		4 Frozen Dinner	12 - 16 oz.	Remove the food from its wrapping and follow the instructions on the box for covering and letting stand. Let the microwave oven cool for at least 5 minutes before using it again.

Category		Food	Amount	Instructions
4	Veggies	1 Fresh Vegetables	1 - 4 cups	Place the fresh vegetables in a microwave-safe ceramic, glass, or plastic dish and add 2 - 4 tbs. of water. Cover with a lid or vented plastic wrap. Stir before letting stand. Let the microwave oven cool for at least 5 minutes before using it again.
		2 Frozen Vegetables	1 - 4 servings	Place the frozen vegetables in a microwave-safe ceramic, glass, or plastic dish and add 2 - 4 tbs. of water. Cover with a lid or vented plastic wrap to cook. Stir before letting stand for 3 - 5 minutes. Let the microwave oven cool for at least 5 minutes before using it again.

Auto Cook

The Auto Cook button lets you cook favorite foods using preset power levels and times. If the food is not thoroughly cooked after using Auto Cook feature, complete the cooking process by cooking the food for an additional amount of time.



1. Put the food on the tray.
2. Touch the **Auto Cook** button.
3. Select the category of food by touching **numeric** buttons (1 - 5) and then touch **OK** button.
4. Select food item by touching **numeric** buttons and then touch **OK** button.
5. Select the amount of food by touching **numeric** buttons if needed.
6. Touch **OK** or **Start** button to start cooking. The microwave oven will automatically operate by preprogrammed time.



NOTE

You can operate some of Auto Cook items by voice control also. Check **Voice control** on page 17 of this manual.

Category	Food	Amount	Instructions
1	Home Dessert	1 serving	Ingredients Flour 120 g, Butter 150 g, Black sugar 100 g, Egg 2 pcs., Walnut (Chopped) 50 g, Baking powder 4 g
			<ol style="list-style-type: none"> 1. Combine butter and black sugar in bowl. 2. Add egg and mix well. 3. Add a flour, baking powder and keep stirring. 4. Add a walnut and mix well. 5. Pour a mixture in greased glass or plastic bowl. 6. Put the bowl in the microwave oven and select the Walnut Pound Cake under Home Dessert. 7. After cooking, stand for 2 - 3 minutes.
		1 serving (6 pcs.)	Ingredients Banana 3 pcs., Pancake mix 120 g, Milk 120 g, Egg 1 pc., Malt syrup 2 tbsps.
			<ol style="list-style-type: none"> 1. Chop the banana. 2. Combine pancake mix, milk, egg, malt syrup in bowl. 3. Add banana and mix well. 4. Pour a mixture in 6 paper cups. 5. Put paper cups in the microwave oven and select the Banana Bread under Home Dessert. 6. After cooking, stand for 2 - 3 minutes.

Using your microwave oven

Category		Food		Amount	Instructions
1	Home Dessert	3	Sponge Cake	1 serving	Ingredients Flour 170 g, Butter 50 g, Sugar 150 g, Egg 3 pcs., Baking powder 10 g
				<ol style="list-style-type: none"> Combine butter and sugar in bowl. Add egg and mix well. Add a flour, baking powder and keep stirring. Pour a mixture in greased glass or plastic bowl. Put the bowl in the microwave oven and select the Sponge Cake under Home Dessert. After cooking, stand for 2 - 3 minutes. 	
1	Home Dessert	4	Brownie	1 serving	Ingredients Flour 90 g, Butter(Melted) ½ cup, Sugar 230 g, Egg 2 pcs., Cocoa power 40 g
				<ol style="list-style-type: none"> Combine butter, beaten eggs, sugar in bowl. Add a flour, cocoa powder and keep stirring. Pour a mixture in greased glass or plastic bowl. Put the bowl in the microwave oven and select the Brownie under Home Dessert. After cooking, stand for 20 - 30 minutes. 	

Category		Food		Amount	Instructions
1	Home Dessert	5	Egg Pudding	1 serving (3 pcs.)	Ingredients Milk 250 g, Sugar 40 g, Egg 2 pcs.
				<ol style="list-style-type: none"> Crack the two eggs into a bowl. Lightly beat the egg with a balloon whisk. Don't let the tip of the whisk leave the bottom of the bowl to avoid creating too much foam. Combine milk, sugar in other bowl. Add the milk to the beaten egg while whisking the mixture. Sieve the egg mixture with a fine mesh strainer. Scrape off the bottom of the strainer with a spatula. Remove any foam on the surface with a spoon. Pour the mixture into custard cups. Put the cups in the microwave oven and select the Egg Pudding under Home Dessert. After cooking, refrigerate and serve. 	
				1 serving	Ingredients Butter 30 g, Sugar 60 g, Egg 1 pc., Heavy cream 40 g, Flour 25 g, Cocoa powder 15 g, Vanilla 1.5 g, Semi-sweet chocolate chips 50 g
1	Home Dessert	6	Chocolate Mug Cake	1 serving	<ol style="list-style-type: none"> Combine the butter, egg and cream together in a mug until well combined. Add the flour, sugar and keep stirring. Add the cocoa, vanilla and stir until just combined. Stir in the chocolate chips. Put the mug in the microwave oven and select the Chocolate Mug Cake under Home Dessert. After cooking, stand for 2 - 3 minutes.

Category		Food		Amount	Instructions
1	Home Dessert	7	Mug Cake	1 serving	Ingredients Butter 30 g, Sugar 60 g, Egg 1 pc., Flour 50 g, Milk 30 g, Vanilla 6 g, Almond powder 3 g, Baking powder 1.5 g
				<ol style="list-style-type: none"> 1. Combine butter, egg, and milk together in a mug until well combined. 2. Add flour, sugar, baking powder, and keep stirring. 3. Add almond powder, vanilla, milk, and stir until just combined. 4. Put the mug in the microwave oven and select the Mug Cake under Home Dessert. 5. After cooking, stand for 2 - 3 minute 	
		8	Caffe Latte	1 serving	Ingredients Instant coffee powder 2 g, Water 50 g, Milk 125 g
				<ol style="list-style-type: none"> 1. Mix the coffee powder and water in mug. 2. Pour milk in other mug. 3. Put the coffee mixture in the microwave oven and select the Caffe Latte under Home Dessert. 4. When the beeps, take mug out. 5. Put the milk in the microwave oven and press the Start button. 6. After cooking, mix all well and serve. 	

Category		Food		Amount	Instructions
1	Home Dessert	9	Green Tea Latte	1 serving	Ingredients Green tea powder 6 g, Sugar 15 g, Milk 250 g
				<ol style="list-style-type: none"> 1. Mix all ingredients in mug. 2. Put the mug in the microwave oven and select the Green Tea Latte under Home Dessert. 3. After cooking, mix well and serve. 	
		10	Milk Tea	1 serving	Ingredients Black tea bag 2 pcs., Water 60 g, Milk 125 g
				<ol style="list-style-type: none"> 1. Mix the black tea bag and water in mug. 2. Pour milk in other mug. 3. Put the tea mixture in the microwave oven and select the Milk Tea under Home Dessert. 4. When the beeps, take mug out. 5. Put the milk in the microwave oven and press the Start button. 6. After cooking, mix all well and serve. 	

Using your microwave oven

Category		Food		Amount	Instructions
2	Fit Choice	1	Spinach	1 1 serving	Wash and clean the spinach. Place the spinach in a microwave safe bowl. Add 1 - 4 tablespoons of water (1 Tbsp per serving). Cover during cooking and stir afterwards.
				2 2 servings	
				3 3 servings	
				4 4 servings	
		2	Squash	1 1 - 2 lbs.	Slice the squash in half and remove the seeds. Place the squash cut side down in a microwave safe dish and cover with the plastic wrap. If needed, add a ¼ cup of water.
				2 2 - 3 lbs.	
		3	Brown Rice	1 1 serving	Place 0.5 cups brown rice + 1 cup water for 2 servings or 1 cup brown rice + 2 cups water for 4 servings in a microwave safe bowl. Stir well before and fluff with a fork afterwards. Let stand 5 minutes before serving.
				2 2 servings	
		4	Oatmeal	1 1 package	Follow the package directions for the recommended amount of water needed. Stir well before and afterwards.
				2 2 packages	
5	Quinoa	3 1 serving	Follow the package directions for the recommended amount of water needed. When the microwave beeps, stir well, and then restart the microwave.		
		4 2 servings			

Category		Food		Amount	Instructions
2	Fit Choice	6	Bone-in Chicken Pieces	1 2 servings	Brush the chicken pieces with oil and seasonings. Arrange chicken pieces in dish with meatiest portions toward the outside edge of dish, and then cover with wax paper. Place the dish on the center of the turntable.
				2 4 servings	
		7	Fresh Fish Fillets	1 1 serving	Put the fillets (cod, pollack, etc.) in a dish, and then cover with plastic wrap. Place the dish on the center of the turntable.
				2 2 servings	
		8	Fresh Salmon Fillets	1 1 serving	Put the salmon fillets in a dish, and then cover with plastic wrap. Place the dish on the center of the turntable.
				2 2 servings	
		9	Fresh Prawns	1 2 servings	Put the prawns in a dish, and then cover with plastic wrap. Place the dish on the center of the turntable.
				2 4 servings	
		3	Kids Meal	1	Chicken nuggets (frozen)
2 2 servings					

Category		Food		Amount	Instructions	
3	Kids Meal	2	French fries (frozen)	1	1 serving	Place two paper towels on a microwave-safe plate and arrange the French fries on the towels without letting them overlap. Blot the fries with additional paper towels after removing from the oven. Let stand for 1 minute. NOTE Refer to the directions on the packaging for the serving size and the amount of food.
				2	2 servings	
		3	Frozen sandwiches (in crisping sleeve) 9-oz package size	1	1 sandwich	Place the frozen sandwich in a susceptor crisping sleeve (which is in the package) and place on a microwave-safe plate. Remove from the crisping sleeve. Let stand for 2 minutes after heating.
2	2 sandwiches					
4	Hot dogs	4	Hot dogs	1	2 hot dogs	Pierce the hot dogs and place them on a plate. When the oven beeps, add the buns and restart the oven. Let stand for 1 minute after heating. NOTE For the best texture, the buns should be added to the hot dogs when the oven beeps.
				2	4 hot dogs	
4	Snacks	1	Cheese sticks (frozen)	1	5 - 6 pcs (1 Srv.)	Place the cheese sticks on a plate in a spoke-like fashion. Do not cover. Let stand for 1 to 2 minutes after heating.
				2	7 - 10 pcs (2 Srvs.)	

Category		Food		Amount	Instructions	
4	Snacks	2	Chicken Wings	1	5 - 6 oz. (2 Srvs.)	Use precooked, refrigerated chicken wings. Place the chicken wings around the plate in a spoke-like fashion and cover with wax paper. Let stand for 1 to 2 minutes.
				2	7 - 8 oz. (4 Srvs.)	
		3	Nachos	1	1 serving	Place the nachos on a plate without letting them overlap. Sprinkle cheese evenly over them. Contents: 2 cups tortilla chips ½ cup grated cheese
2	2 cooked potatoes					

Using your microwave oven

Category	Food	Amount	Instructions
5 Soften/ Melt	1 Melt Butter	1 1 stick	Remove the wrapping and cut the butter in half vertically. Place the butter in a dish and cover with wax paper.
		2 2 sticks	Stir well after finishing and let stand for 1 - 2 minutes.
	2 Melt Chocolate	1 1 cup chips or 1 square	Place the chocolate chips or squares in a microwave-safe container. When the oven beeps, stir the chocolate and restart the oven. Stir and let stand for 1 minute.
	3 Soften Butter	1 1 stick (¼ lbs.)	Remove wrapping and cut butter in half vertically. Place butter in dish, cover with wax paper.
4 Soften Cream Cheese	1 1 package (8 oz.)	Unwrap the cream cheese and place on a microwave-safe container. Cut in half vertically. Let stand for 2 minutes.	

Keep Warm

You can keep cooked food warm in your microwave oven for up to 99 minutes and 99 seconds.



1. Touch the **Keep Warm** button.
2. Enter the warm hold time by touching the **numeric** buttons. If you don't set the time, your oven will maintain the Warm Hold function for 99 minutes and 99 seconds.
3. Touch the **Start** button.

NOTE

- **Keep Warm** operates for up to 99 minutes and 99 seconds.
- The Vent Fan protects the microwave from excess heat. It automatically turns on if it senses the overheating. If you have turned the fan on, you may find that you cannot turn it off. The fan will automatically turn off when the internal parts are cool."
- Food that is cooked covered should also be covered during **Keep Warm**.
- Pastry items (pies, turnovers, etc.) should be uncovered during **Keep Warm**.
- Complete meals kept warm on a dinner plate can be covered during **Keep Warm**.

Below are the amounts of food we recommend you apply the Keep Warm function to by Food Type.

Food Type	Recommended Quantity
Liquid	1 - 2 cups
Dry	5 - 10 oz.

Cookware guide

To cook food in your microwave oven, microwaves must be able to penetrate the food without being reflected or absorbed by the cookware holding the food. Consequently, it is important to choose cookware that both allows microwaves to penetrate food and is microwave-safe.

The following lists contain various types of cookware and indicate if and how the cookware should be used in a microwave oven.

Recommended cooking utensils

- **Glass and glass-ceramic bowls and dishes** – Use for heating or cooking.
- **Microwavable plastic wrap** – Use to cover. Leave a small opening for steam to escape and avoid placing it directly on the food.
- **Wax paper** – Use as a cover to prevent spattering.
- **Paper towels and napkins** – Use for short-term heating and covering. They absorb excess moisture and prevent spattering. Do not use recycled paper towels, which may contain metal and can catch fire.
- **Paper plates and cups** – Use for short-term heating at low temperatures. Do not use recycled paper, which may contain metal and can catch fire.
- **Thermometers** – Use only those labeled 'Microwave Safe' and follow all directions. Check the food in several places. Conventional thermometers may be used once the food has been removed from the oven.

Limited use items

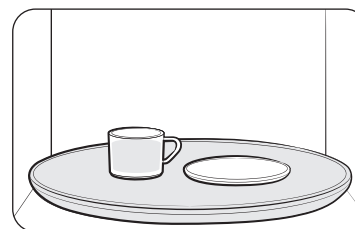
- **Aluminum foil** – Use narrow strips of foil to prevent overcooking of exposed areas. Using too much foil can damage your oven, so be careful.
- **Ceramic, porcelain, and stoneware** – Use these if they are labeled 'Microwave Safe'. If they are not labeled, test them to make sure they can be used safely. Never use dishes with metallic trim.
- **Plastic** – Use only if labeled 'Microwave Safe'. Other plastics can melt.
- **Straw, wicker, and wood** – Use only for short-term heating, as they are flammable.

Not recommended

- **Glass jars and bottles** – Regular glass is too thin to be used in a microwave and can shatter.
- **Paper bags** – These are a fire hazard, except for popcorn bags that are designed for microwave use.
- **Styrofoam plates and cups** – These can melt and leave an unhealthy residue on food.
- **Plastic storage and food containers** – Containers such as margarine tubs can melt in the microwave.

Testing utensils

If you are not sure whether a dish is microwave-safe or not, you can perform this test:



1. Fill a 1 cup glass measuring cup with water and put it inside your oven, next to the dish you want to test.
2. Set the microwave to 1 minute using the **numeric** buttons, and then press the **Start** button. This will heat the glass and dish for one minute at High power.

When the microwave stops, the water should be warm and the dish you are testing should be cool. If the dish is warm, then it is absorbing microwave energy and is not acceptable for use in the microwave.

Cooking guide

Microwave energy actually penetrates food and is attracted to and absorbed by the water, fat, and sugar molecules in the food. The microwaves cause the molecules in the food to move rapidly. The rapid movement of these molecules creates friction and the resulting heat cooks the food.

Cooking techniques

Stirring

Stir foods such as casseroles and vegetables while cooking to distribute heat evenly. Food at the outside of the dish absorbs more energy and heats more quickly, so stir from the outside to the center. The oven will turn off when you open the door to stir your food.

Arrangement

Arrange unevenly shaped foods, such as chicken pieces or chops, with the thicker, meatier parts toward the outside of the turntable where they will receive more microwave energy. To prevent overcooking, place thin or delicate parts toward the center of the turntable.

Shielding

Shield food with narrow strips of aluminum foil to prevent overcooking. Areas that need shielding include poultry wing-tips, the ends of poultry legs, and the corners of square baking dishes. Use only small amounts of aluminum foil. Larger amounts can damage your oven.

Turning

Turn foods over midway through cooking to expose all parts to microwave energy. This is especially important with large items such as roasts.

Standing

Food cooked in the microwave builds up internal heat and continues to cook for a few minutes after the oven stops. Let food stand to complete cooking, especially food such as roasts and whole vegetables. Roasts need this time to complete cooking in the center without overcooking the outer areas. All liquids, such as soup or hot chocolate, should be shaken or stirred when cooking is complete. Let liquids stand a moment before serving. When heating baby food, stir well and test the temperature before serving.

Adding Moisture

Microwave energy is attracted to water molecules. Food that is uneven in moisture content should be covered or allowed to stand so that the heat disperses evenly. Add a small amount of water to dry food to help it cook.

Venting

After covering a dish with plastic wrap, vent the plastic wrap by turning back one corner so excess steam can escape.

General cooking recommendations

- Dense foods, such as potatoes, take longer to heat than lighter foods. Food with a delicate texture should be heated at a low power level to prevent it from becoming tough.
- Altitude and the type of cookware you are using can affect cooking time. When trying a new recipe, use the minimum cooking time and check the food occasionally to prevent overcooking.
- Food with a non-porous skin such as potatoes or hot dogs should be pierced to prevent bursting.
- Frying with oil or fat is not recommended. Fat and oil can suddenly boil over and cause severe burns.
- Some ingredients heat faster than others. For example, the jelly inside a jelly doughnut will be hotter than the dough. Keep this in mind to avoid burns.
- Home canning in the microwave oven is not recommended because all harmful bacteria may not be destroyed by the microwave heating process.
- Although microwaves do not heat the cookware, the heat from the food is often transferred to the cookware. Always use pot holders when removing food from the microwave and instruct children to do the same.
- Making candy in the microwave is not recommended as candy can heat to very high temperatures. Keep this in mind to avoid injury.

Guide for cooking eggs in your microwave

- Never cook eggs in the shell and never warm hard-cooked eggs in the shell. They can explode.
- Always pierce whole eggs to keep them from bursting.
- Cook eggs just until set. They become tough if overcooked.

Guide for cooking vegetables in your microwave

- Vegetables should be washed just before cooking. Often, no extra water is needed. If you are cooking dense vegetables such as cubed potatoes, carrots, or green beans, add about $\frac{1}{4}$ cup water.
- Small vegetables (sliced carrots, peas, lima beans, etc.) will cook faster than larger ones.
- Whole vegetables, such as potatoes, acorn squash, or corn on the cob, should be arranged in a circle on the turntable before cooking. They will cook more evenly if turned over after half the cooking time.
- Always place vegetables like asparagus and broccoli with the stem ends pointing towards the edge of the dish and the tips toward the center.
- When cooking cut vegetables, always cover the dish with a lid or vented microwavable plastic wrap.
- Whole, unpeeled vegetables such as potatoes, squash, eggplant, etc., should have their skin pricked in several spots before cooking to prevent them from bursting.
- For more even cooking, stir or rearrange whole vegetables halfway through the cooking time.
- Generally, the denser the food, the longer the standing time. (Standing time refers to the time necessary for dense, large foods and vegetables to finish cooking after they come out of the oven.) A baked potato can stand on the counter for five minutes before cooking is completed, while a dish of peas can be served immediately.

Cleaning and maintaining your microwave oven

Keeping your microwave oven clean improves its performance, wards off unnecessary repairs, and lengthens its life.

Cleaning the exterior

It's best to clean spills on the outside of your microwave oven as they occur. Use a soft cloth and warm, soapy water. Rinse and dry.

CAUTION

Do not get water into the vents. Never use abrasive products or chemical solvents such as ammonia or alcohol as they can damage the appearance of your microwave.

WARNING

Unplug the microwave plug before cleaning.

Cleaning under your microwave oven

Regularly clean grease and dust from the bottom of your microwave using a solution of warm water and detergent.

Cleaning the control panel

Wipe with a damp cloth and dry thoroughly. Do not use cleaning sprays, large amounts of soap and water, abrasives, or sharp objects on the panel as it is easily damaged.

Cleaning the door and door seals

Always ensure that the door seals are clean and that the door closes properly. Take particular care when cleaning the door seals to ensure that no particles accumulate and prevent the door from closing correctly. Wash the glass door with very mild soap and water. Be sure to use a soft cloth to avoid scratching.

NOTE

If steam accumulates inside or outside the oven door, wipe with a soft cloth. Steam can accumulate when you operate the oven when humidity is high and in no way indicates microwave leakage.

Cleaning the interior

CAUTION

To avoid injury, ensure that the microwave oven has cooled down before cleaning it.

CAUTION

Remove the glass tray from the oven when cleaning the oven or tray. To prevent the tray from breaking, handle it with care and do not put it in water immediately after cooking. Wash the tray carefully in warm sudsy water or in the dishwasher.

Cleaning the turntable and roller rings

Clean the roller rings periodically and wash the turntable as required. The turntable can be washed safely in your dishwasher.

Storing and repairing your microwave oven

If you need to store your microwave oven for a short or extended period of time, choose a dust-free, dry location. Dust and dampness may adversely affect the functionality of the microwave parts.

⚠ WARNING

Do not repair, replace, or service any part of your microwave oven yourself. Allow only a qualified service technician to perform repairs. If the oven is faulty and needs servicing, or you are in doubt about its condition, unplug the oven from the power outlet and contact your nearest service center.

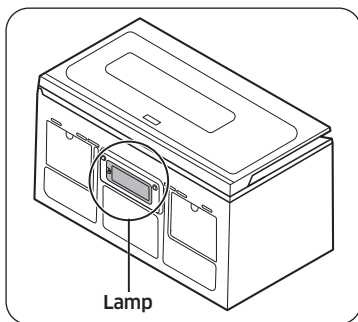
Do not use the oven if the microwave oven is damaged, in particular, if the door or door seals are damaged or the door does not close properly. This can be caused by a broken hinge, a worn out seal or distorted/bent casing.

Do not remove the oven from its casing.

This microwave oven is for home use only and is not intended for commercial use.

Replacing the cooktop/night light

When replacing the cooktop/night light, make sure that you are wearing gloves to avoid injury from the heat of the lamp.



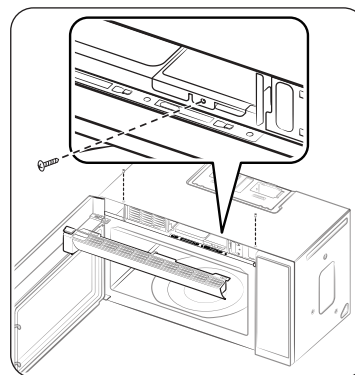
1. Unplug the oven or turn off the power at the main power supply.
2. Remove the screw from the light cover and lower the cover.
3. Disconnect the wire connectors.
4. Remove the screw securing the LED lamp board.
5. Replace the LED lamp board.

📄 NOTE

To purchase a new LED lamp board, visit an authorized Samsung service center or call 1-800-SAMSUNG (726-7864).

Replacing the oven light

When replacing the oven light, make sure that you are wearing gloves to avoid injury from the heat of the lamp.



1. Unplug the oven or turn off the power at the main power supply.
2. Open the door.
3. Remove the vent cover mounting screws (2 middle screws).
4. Slide the vent grille to the left, then pull it straight out.
5. Remove the charcoal filter, if present.
6. Remove the screw securing the lamp cover.
7. Remove the lamp by pulling it out gently.
8. Replace the lamp with a 50 W halogen lamp.
9. Replace the lamp holder.
10. Replace the vent grille and re-insert the 2 screws.
11. Plug the oven in or turn on the power at the main power supply. Reset the clock.

Cleaning and maintaining your microwave oven

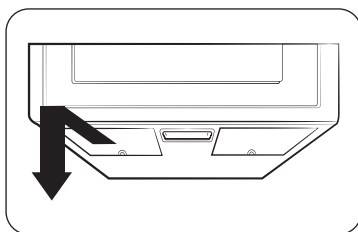
Cleaning the grease filter

Your microwave oven has reusable grease filter. The grease filter should be removed and cleaned at least once a month or as required.

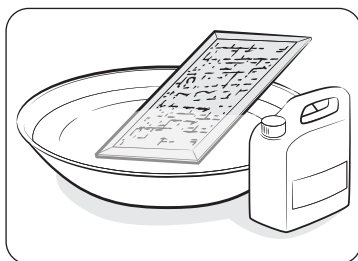
To order a new grease filter, contact Samsung Parts at 1-800-627-4368 or your Samsung dealer. You can also order online at www.samsungparts.com.

⚠ WARNING

To avoid the risk of personal injury or property damage, do not operate the oven hood without the filter in place.



1. To remove the filter, slide it to the left (or right) using the tab.



2. Soak the grease filter in hot water and a mild soap. Rinse well and shake to dry. Brushing the filter lightly can remove embedded dirt.

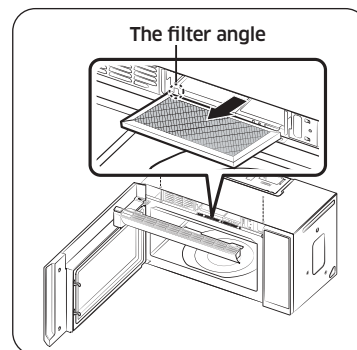
⚠ WARNING

Do not use ammonia or put the grease filter in the microwave oven. The aluminum will darken.

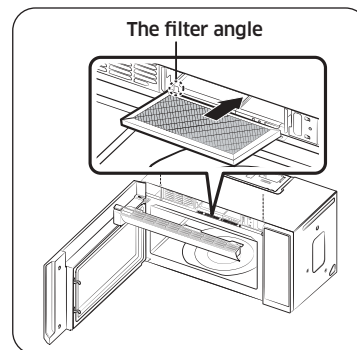
3. To re-install the filter, slide it into the frame slot on the left (or right), and then push it upwards and to the right (or left) to lock it.

Replacing the charcoal filter

If your oven is vented to the inside, the charcoal filter should be replaced every 6 to 12 months and more often if necessary. The charcoal filter cannot be cleaned. To order a new charcoal filter, contact the Samsung Parts at 1-800-627-4368 or your Samsung dealer. You can also order online at www.samsungparts.com



1. Unplug the oven or turn off the power at the main power supply.
2. Open the door.
3. Remove the vent grille mounting screws.
4. Slide the vent grille to the left, then pull it straight out.
5. Push the hook and remove the old filter.
6. Slide a new charcoal filter into place. The filter should rest at the angle shown.
7. Replace the vent grille and 2 screws, and then close the door. Plug the oven in or turn on the power at the main power supply. Reset the clock.



Troubleshooting

Check points

If you encounter a problem with your oven, first check the tables starting below and try the recommendations. If a problem persists, or if an information code keeps appearing on the display, contact a local Samsung service center.

Problem	Cause	Action
General		
The buttons cannot be pressed properly.	Foreign matter may be caught between the buttons.	Remove the foreign matter and try again.
	For touch models: Moisture is on the exterior.	Wipe the moisture from the exterior.
	The Child Lock is activated.	Deactivate the Child Lock.
The time is not displayed.	Power is not supplied.	Make sure power is supplied. Confirm the microwave is plugged in. Check your fuses or circuit breakers.
	The Eco (power-saving) function is set.	Turn off the Eco function.
The oven does not work.	Power is not supplied.	Make sure power is supplied. Confirm the microwave is plugged in. Check your fuses or circuit breakers.
	The door is open.	Close the door and try again.
	The door open safety mechanisms are covered by foreign matter.	Remove the foreign matter and try again.

Problem	Cause	Action
The oven stops while in operation.	The user has opened the door to turn food over.	After turning over the food, press the Start button again to start operation.
The power turns off during operation.	The oven has been cooking for an extended period of time.	After the oven has cooked for an extended period of time, let the oven cool.
	The cooling fan is not working.	Listen for the sound of the cooling fan.
	Trying to operate the oven without food inside.	Put food in the oven.
	There is not enough ventilation space around the oven.	There are intake/exhaust outlets on the front and rear of the oven for ventilation. Check the installation guide and make sure that the microwave is far enough away from walls and cabinets for proper ventilation.
There is no power to the oven.	Several appliances or devices are plugged into the same outlet.	Unplug all other appliances or devices from the outlet.
	Power is not supplied.	Make sure power is supplied. Confirm the microwave is plugged in. Check your fuses or circuit breakers.

Troubleshooting

Problem	Cause	Action
There is a popping sound during operation, and the oven doesn't work.	Cooking food in a sealed container or using a container with a tight lid.	Do not cook food in sealed containers or in containers with tight lids. Expanding steam from the cooking food can cause the containers to burst or the lids to pop off.
The oven exterior gets too hot during operation.	There is not enough ventilation space around the oven.	There are intake/exhaust outlets on the front and rear of the oven for ventilation. Check the installation guide and make sure that the microwave is far enough away from walls and cabinets for proper ventilation.
	Objects are on top of the oven.	Remove all objects on the top of the oven.
The door cannot be opened properly.	Food residue is stuck between the door and oven interior.	Clean the oven the door.

Problem	Cause	Action
The oven does not heat.	The oven may not work if too much food is being cooked or improper cookware is being used.	To test the oven, put one cup of water in a microwave-safe container, put the container in the oven, and then run the microwave for 1 - 2 minutes to check whether the water is heated. If the water is heated, reduce the amount of food and start the function again. Use a cooking container with a flat bottom.
	The oven may not work if too much food is being cooked or improper cookware is being used.	To test the oven, put one cup of water in a microwave-safe container, put the container in the oven, and then run the microwave for 1 - 2 minutes to check whether the water is heated. If the water is heated, reduce the amount of food and start the function again. Use a cooking container with a flat bottom.
Heating is weak or slow.		

Problem	Cause	Action
The warm function does not work.	The oven may not work if too much food is being warmed or improper cookware is being used.	To test the oven, put one cup of water in a microwave-safe container, put the container in the oven, and then run the microwave for 1 - 2 minutes to check whether the water is heated. If the water is heated, reduce the amount of food and start the function again. Use a cooking container with a flat bottom.
The thaw function does not work.	The oven may not work if too much food is being thawed or improper cookware is being used.	To test the oven, put one cup of water in a microwave-safe container, put the container in the oven, and then run the microwave for 1 - 2 minutes to check whether the water is heated. If the water is heated, reduce the amount of food and start the function again. Use a cooking container with a flat bottom.

Problem	Cause	Action
The interior light is dim or does not turn on.	The door has been left open for a long time.	The interior light may automatically turn off when the Eco function operates. Close and reopen the door or press the Stop button.
	The interior light is covered by foreign matter.	Clean the inside of the oven and check again.
A beeping sound occurs during cooking.	If the Auto Cook function is being used, this beeping sound means it's time to turn over the food.	After turning over the food, press the Start button again to restart operation.
The oven is not level.	The oven is installed on an uneven surface.	Make sure the oven is installed on flat, stable surface.
There are sparks during cooking.	Metal containers are used during cooking or thawing.	Do not use metal containers.
When power is connected, the oven immediately starts to work.	The door is not properly closed.	Close the door and check again.
There is electricity coming from the oven.	The power source or power outlet is not properly grounded.	Make sure the power source and power outlet are properly grounded.
There is water dripping.	Water or steam may be generated by the cooking or defrosting process, depending on the food. This is not an oven malfunction.	Let the oven cool and then wipe with a dry dish towel.

Troubleshooting

Problem	Cause	Action
There is steam coming through a crack in the door.	Water or steam may be generated by the cooking or defrosting process, depending on the food. This is not an oven malfunction.	Let the oven cool and then wipe with a dry dish towel.
There is water left in the oven.	Water or steam may be generated by the cooking or defrosting process, depending on the food. This is not an oven malfunction.	Let the oven cool and then wipe with a dry dish towel.
The brightness inside the oven varies.	Changes in brightness reflect changes in power output. Power output changes depending on the functions in use.	Power output changes during cooking are not malfunctions.
Cooking is finished, but the cooling fan is still running.	To ventilate the oven, the cooling fan continues to run for about 3 minutes after cooking is complete.	This is not an oven malfunction.
Pressing the Start button operates the oven.	This happens when the oven is not operating.	The microwave oven is designed to start operating when you press the Start button if it was not operating.

Problem	Cause	Action
Turntable		
While turning, the turntable comes out of place or stops turning.	There is no roller ring, or the roller ring is not properly in place.	Install the roller ring properly and then try again.
The turn table drags while turning.	The roller ring is not properly in place, there is too much food, or the container is too large and touches the inside of the microwave.	Install the roller ring properly. Adjust the amount of food. Do not use containers that are too large.
The turn table rattles while turning and is noisy.	Food residue is stuck to the bottom of the oven.	Remove any food residue stuck to the bottom of the oven.

Appendix

Information codes

If the microwave oven fails to operate, you may see an information code on the display. Check the table below for the code, and then follow the directions.

Code	Description	Action
C-10	The GAS sensor is open.	Unplug the power cord of the oven, and then contact a local Samsung service center.
	The GAS sensor is shorted.	
C-F0	The microwave has sensed an internal communications failure.	Unplug the power cord of the oven, and then contact a local Samsung service center.
C-F1	Only occurs when EEPROM Read or Write is not working.	Unplug the power cord of the oven, and contact a local SAMSUNG Customer Care Center.
C-F2	A touch button has malfunctioned.	Press Stop , and then try the button again.
C-d0	Control buttons are touched over 10 seconds.	Clean the keys and check if there is water on the surface around key. If it appears again, turn off the microwave oven, let it sit for more than 30 seconds, and then try setting again. If this code re-appears, call your local SAMSUNG Customer Care Center.

Specifications

Model	ME21D*6300**AA	ME21D*6300**AC
Oven Cavity	2.1 cu ft	
Controls	10 power level, including Defrost	
Timer	99 minutes, 99 seconds	
Power Source	120 VAC, 60 Hz	
Power Consumption	1700 W Microwave	1500 W Microwave
Microwave Power Output	1000 W	950 W
Cook Top Light	LED lamp (2 EA)	
Oven Light	50 W halogen lamp	
Oven Cavity Dimensions (inches)	22 1/8" (W) x 10 13/16" (H) x 14 7/8" (D)	
Outside Dimensions (inches)	29 7/8" (W) x 17 1/16" (H) x 16 1/2" (D)	
Shipping Dimensions (inches)	33 3/8" (W) x 20 13/16" (H) x 19 3/8" (D)	
Net/Shipping Weight	58.0 lbs. / 64.6 lbs. (26.3 kg / 29.3 kg)	

Warranty (USA)

SAMSUNG MICROWAVE OVEN

LIMITED WARRANTY TO ORIGINAL PURCHASER WITH PROOF OF PURCHASE

This SAMSUNG brand product, as supplied and distributed by SAMSUNG ELECTRONICS AMERICA, INC. (SAMSUNG) and delivered new, in the original carton to the original consumer purchaser, is warranted by SAMSUNG against manufacturing defects in materials or workmanship for the limited warranty period, starting on the date of delivery to the original consumer purchaser, of:

- One (1) Year Parts and Labor**
- Ten (10) Years Magnetron Part (Part Only)**

This limited warranty is valid only on products purchased and used in the United States that have been installed, operated, and maintained according to the instructions attached to or furnished with the product. To receive warranty service, the purchaser must contact SAMSUNG at the address or phone number provided below for problem determination and service procedures. Warranty service can only be performed by a SAMSUNG authorized service center. The original dated bill of sale and/or proof of delivery must be presented upon request as proof of purchase to SAMSUNG or SAMSUNG's authorized service center to receive warranty service.

SAMSUNG will provide in-home service within the contiguous United States during the warranty period at no charge, subject to availability of SAMSUNG authorized servicers within the customer's geographic area. If in-home service is not available, SAMSUNG may elect, at its option, to provide transportation of the product to and from an authorized service center. If the product is located in an area where service by a SAMSUNG authorized servicer is not available, you may be responsible for a trip charge or required to bring the product to a SAMSUNG authorized service center for service.

To receive in-home service, product must be unobstructed and accessible to the service agent.

During the applicable warranty period, a product will be repaired, replaced, or the purchase price refunded, at the sole option of SAMSUNG. SAMSUNG may use new or reconditioned parts in repairing a product, or replace the product with a new or reconditioned product. Replacement parts and products are warranted for the remaining portion of the original product's warranty or ninety (90) days, whichever is longer. All replaced parts and products are the property of SAMSUNG and you must return them to SAMSUNG.

This limited warranty covers manufacturing defects in materials or workmanship encountered in normal household, noncommercial use of this product and shall not cover the following: damage that occurs in shipment, delivery, installation, and uses for which this product was not intended; damage caused by unauthorized modification or alteration of the product; product where the original factory serial numbers have been removed, defaced, changed in any way, or cannot be readily determined; cosmetic damage including scratches, dents, chips, and other damage to the product's finishes; damage caused by abuse, misuse, overheating due to overcooking, glass tray or turntable, pest infestations, accident, fire, floods, or other acts of nature or God; damage caused by use of equipment, utilities, services, parts, supplies, accessories, applications, installations, repairs, external wiring or connectors not supplied or authorized by SAMSUNG; damage caused by incorrect electrical line current, voltage, fluctuations and surges; damage caused by failure to operate and maintain the product according to instructions; in-home instruction on how to use your product; service to correct installation not in accordance with electrical or plumbing codes or correction of household electrical or plumbing (i.e., house wiring, fuses, or water inlet hoses); and reduced magnetron power output related to normal aging.

The cost of repair or replacement under these excluded circumstances shall be the customer's responsibility.

Visits by an authorized servicer to explain product functions, maintenance or installation are not covered by this limited warranty. Please contact SAMSUNG at the number below for assistance with any of these issues.

Samsung will charge a repair fee for replacing an accessory or repairing cosmetic damage if the damage to the unit and/or damage to or loss of the accessory was caused by the customer. Items this covers include:

- Dented, scratched, or broken door, handle, out-panel, or control panel
- Broken or lost tray, guide roller, coupler, filter, or wire rack

Parts that SAMSUNG has determined can be replaced by the user may be sent to the customer for installation. In SAMSUNG's discretion, an authorized servicer can be dispatched to perform such installation.

EXCLUSION OF IMPLIED WARRANTIES

IMPLIED WARRANTIES, INCLUDING THE IMPLIED WARRANTIES OF MERCHANTABILITY OR FITNESS FOR A PARTICULAR PURPOSE, ARE LIMITED TO ONE YEAR OR THE SHORTEST PERIOD ALLOWED BY LAW. Some states do not allow limitations on how long an implied warranty lasts, so the above limitations or exclusions may not apply to you. This warranty gives you specific rights, and you may also have other rights, which vary from state to state.

LIMITATION OF REMEDIES

YOUR SOLE AND EXCLUSIVE REMEDY IS PRODUCT REPAIR, PRODUCT REPLACEMENT, OR REFUND OF THE PURCHASE PRICE AT SAMSUNG'S OPTION, AS PROVIDED IN THIS LIMITED WARRANTY. SAMSUNG SHALL NOT BE LIABLE FOR SPECIAL, INCIDENTAL OR CONSEQUENTIAL DAMAGES, INCLUDING BUT NOT LIMITED TO TIME WAY FROM WORK, HOTELS AND/OR RESTAURANT MEALS, REMODELING EXPENSES, LOSS OF REVENUE OR PROFITS, FAILURE TO REALIZE SAVINGS OR OTHER BENEFITS REGARDLESS OF THE LEGAL THEORY ON WHICH THE CLAIM IS BASED, AND EVEN IF SAMSUNG HAS BEEN ADVISED OF THE POSSIBILITY OF SUCH DAMAGES. Some states do not allow exclusion or limitation of incidental or consequential damages, so the above limitations or exclusions may not apply to you. This warranty gives you specific rights, and you may also have other rights, which vary from state to state.

SAMSUNG does not warrant uninterrupted or error-free operation of the product. No warranty or guarantee given by any other person, firm, or corporation with respect to this product shall be binding on SAMSUNG.

To obtain warranty service, please contact SAMSUNG at:
Samsung Electronics America, Inc.
85 Challenger Road
Ridgefield Park, NJ 07660

1-800-SAMSUNG (726-7864) and www.samsung.com/us/support

Warranty (CANADA)

Samsung over-the-range (otr) microwave oven

Limited warranty to original purchaser

This SAMSUNG brand product, as supplied and distributed by Samsung Electronics Canada, Inc. (SAMSUNG) and delivered new, in the original carton to the original consumer purchaser, is warranted by SAMSUNG against manufacturing defects in materials and workmanship for a limited warranty period of:

ONE (1) YEAR PARTS AND LABOR, FIVE (5) YEARS PARTS WARRANTY FOR MAGNETRON

Samsung will charge a repair fee for replacing an accessory or repairing a cosmetic defect if the damage to the unit and/or damage to or loss of the accessory was caused by the customer. Items this stipulation covers include:

- A Dented, Scratched, or Broken Door, Handle, Out-Panel, or Control Panel
- A Broken or missing Tray, Guide Roller, Coupler, Filter, or Wire Rack

User Replaceable Parts may be sent to the customer for unit repair. If necessary, a Service Engineer can be dispatched to perform service.

This limited warranty begins on the original date of purchase, and is valid only on products purchased and used in the United States. To receive warranty service, the purchaser must contact SAMSUNG for problem determination and service procedures. Warranty service can only be performed by a SAMSUNG authorized service center. The original dated bill of sale must be presented upon request as proof of purchase to SAMSUNG or SAMSUNG's authorized service center. SAMSUNG will repair this product or replace it if cannot repair it, at our option and at no charge as stipulated herein, with new or reconditioned parts or products if found to be defective during the limited warranty period specified above. All replaced parts and products become the property of SAMSUNG and must be returned to SAMSUNG. Replacement parts and products assume the remaining original warranty, or ninety (90) days, whichever is longer.

Warranty (CANADA)

In-home service will be provided during the warranty labor period subject to availability within the contiguous United States. In-home service is not available in all areas. To receive in-home service, the product must be unobstructed and accessible to service personnel. If during in-home service repair can not be completed, it may be necessary to remove, repair and return the product. If in-home service is unavailable, SAMSUNG may elect, at our option, to provide for transportation of our choice to and from a SAMSUNG authorized service center. Otherwise, transportation to and from the SAMSUNG authorized service center is the responsibility of the purchaser.

This limited warranty covers manufacturing defects in materials and workmanship encountered in normal, noncommercial use of this product and shall not apply to the following, including, but not limited to: damage which occurs in shipment; delivery and installation; applications and uses for which this product was not intended; altered product or serial numbers; cosmetic damage or exterior finish; accidents, abuse, neglect, fire, water, lightning or other acts of nature; use of products, equipment, systems, utilities, services, parts, supplies, accessories, applications, installations, repairs, external wiring or connectors not supplied or authorized by SAMSUNG which damage this product or result in service problems; incorrect electrical line voltage, fluctuations and surges; customer adjustments and failure to follow operating instructions, cleaning, maintenance and environmental instructions that are covered and prescribed in the instruction book; problems caused by pest infestations, and overheating or overcooking by user; glass tray or turntable; reduced magnetron power output related to normal aging. SAMSUNG does not warrant uninterrupted or error-free operation of the product.

THERE ARE NO EXPRESS WARRANTIES OTHER THAN THOSE LISTED AND DESCRIBED ABOVE, AND NO WARRANTIES WHETHER EXPRESS OR IMPLIED, INCLUDING, BUT NOT LIMITED TO, ANY IMPLIED WARRANTIES OF MERCHANTABILITY OR FITNESS FOR A PARTICULAR PURPOSE, SHALL APPLY AFTER THE EXPRESS WARRANTY PERIODS STATED ABOVE, AND NO OTHER EXPRESS WARRANTY OR GUARANTY GIVEN BY ANY PERSON, FIRM OR CORPORATION WITH RESPECT TO THIS PRODUCT SHALL BE BINDING ON SAMSUNG. SAMSUNG SHALL NOT BE LIABLE FOR LOSS OF REVENUE OR PROFITS, FAILURE TO REALIZE SAVINGS OR OTHER BENEFITS, OR ANY OTHER SPECIAL, INCIDENTAL OR CONSEQUENTIAL DAMAGES CAUSED BY THE USE, MISUSE OR INABILITY TO USE THIS PRODUCT, REGARDLESS OF THE LEGAL THEORY ON WHICH THE CLAIM IS BASED, AND EVEN IF SAMSUNG HAS BEEN ADVISED OF THE POSSIBILITY OF SUCH DAMAGES. NOR SHALL RECOVERY OF ANY KIND AGAINST SAMSUNG BE GREATER IN AMOUNT THAN THE PURCHASE PRICE OF THE PRODUCT SOLD BY SAMSUNG AND CAUSING THE ALLEGED DAMAGE. WITHOUT LIMITING THE FOREGOING, PURCHASER ASSUMES ALL RISK AND LIABILITY FOR LOSS, DAMAGE OR INJURY TO PURCHASER AND PURCHASER'S PROPERTY AND TO OTHERS AND THEIR PROPERTY ARISING OUT OF THE USE, MISUSE OR INABILITY TO USE THIS PRODUCT SOLD BY SAMSUNG NOT CAUSED DIRECTLY BY THE NEGLIGENCE OF SAMSUNG. THIS LIMITED WARRANTY SHALL NOT EXTEND TO ANYONE OTHER THAN THE ORIGINAL PURCHASER OF THIS PRODUCT, IS NONTRANSFERABLE AND STATES YOUR EXCLUSIVE REMEDY.

Some states do not allow limitations on how long an implied warranty lasts, or the exclusion or limitation of incidental or consequential damages, so the above limitations or exclusions may not apply to you. This warranty gives you specific legal rights, and you may also have other rights which vary from state to state. To obtain warranty service, please contact SAMSUNG at:

1-800-SAMSUNG (726-7864) or www.samsung.com/ca/support (English)
www.samsung.com/ca_fr/support (French)

Memo



Scan this with your smartphone

Scan the QR code* or visit
www.samsung.com/spsn
to view our helpful
How-to Videos and Live Shows

* Requires reader to be installed on your
smartphone

Please be advised that the Samsung warranty does NOT cover service calls to explain product operation, correct improper installation, or perform normal cleaning or maintenance.

QUESTIONS OR COMMENTS?

COUNTRY	CALL	OR VISIT US ONLINE AT
U.S.A Consumer Electronics	1-800-SAMSUNG (726-7864)	www.samsung.com/us/support
CANADA	1-800-SAMSUNG (726-7864)	www.samsung.com/ca/support (English) www.samsung.com/ca_fr/support (French)



Horno microondas

Manual del usuario

ME21D*6300****



SAMSUNG

Contenido

Instrucciones de seguridad importantes 3

Lo que debe saber sobre instrucciones de seguridad	3
Precauciones para evitar una posible exposición a un exceso de energía de microondas	3
Precauciones y símbolos de seguridad importantes	3
Advertencia de la propuesta 65 de California	5
Instrucciones para la conexión a tierra	7
Uso de cables de extensión	7
Advertencias importantes sobre la instalación	8
Precauciones de instalación	9
Advertencias cruciales sobre el uso	9
Precauciones de uso	10
Instrucciones críticas sobre la limpieza	11

Configurar su nuevo horno microondas 12

Revisión de las piezas	12
Configurar su horno microondas	13
Instalación del estante de metal	13
Acerca del panel de control	13
Establecer la hora	14
Turntable (Plato giratorio) (encender/apagar)	14
Cronómetro	14
Seguro para niños	14
Botón Stop (Detener)	15
Eco Mode (Modo Eco)	15
+30 sec (+30 s)	15
Lámpara de la cubierta (alta/baja/apagada)	15
Ventilador (4/3/2/1/apagado)	15
Configuración del sistema	15
Control inteligente	16
Control por voz	17
Conectividad automática	19

Uso del horno microondas 20

Microondas	20
Niveles de potencia	20
Cocción en una sola etapa	20
Cocción multietapas (Máximo de 2 etapas)	20
Palomitas de maíz	21
Recalentar	21
Descongelar	22

Cocción con sensor	23
Cocción automática	24
Keep Warm (Mantener caliente)	30

Guía de utensilios de cocina 31

Utensilios de cocina recomendados	31
Artículos de uso limitado	31
No recomendado	31
Prueba de los utensilios	31

Guía de cocción 32

Técnicas de cocción	32
Recomendaciones generales de cocción	33
Guía para cocinar huevos en el microondas	33
Guía para cocinar verduras en el microondas	33

Limpieza y mantenimiento del horno microondas 34

Limpieza del exterior	34
Limpieza debajo del horno microondas	34
Limpieza del panel de control	34
Limpieza de la puerta y los sellos de la puerta	34
Limpieza del interior	34
Limpieza del plato giratorio y los anillos giratorios	34
Almacenamiento y reparación del horno microondas	35
Reemplazo de la luz de la cubierta o la luz nocturna	35
Reemplazo de la luz del horno	35
Limpieza del filtro de grasa	36
Reemplazo del filtro de carbón	36

Solución de problemas 37

Puntos de verificación	37
Códigos de información	40

Anexo 41

Especificaciones	41
------------------	----

Garantía (EE. UU.) 41

Garantía (Canadá) 43

Instrucciones de seguridad importantes

Felicitaciones por su nuevo horno microondas Samsung. Este manual contiene información importante sobre la instalación, el uso y el cuidado del electrodoméstico. Tómese el tiempo de leer este manual para aprovechar al máximo los beneficios y funciones del horno microondas.

LO QUE DEBE SABER SOBRE INSTRUCCIONES DE SEGURIDAD

Las advertencias e Instrucciones de seguridad importantes de este manual no cubren todas las condiciones y situaciones posibles que pudieran ocurrir. Es su responsabilidad utilizar el sentido común, la precaución y el cuidado al instalar, mantener y operar su horno microondas.

PRECAUCIONES PARA EVITAR UNA POSIBLE EXPOSICIÓN A UN EXCESO DE ENERGÍA DE MICROONDAS

- A. No intente utilizar este horno con la puerta abierta, ya que el funcionamiento con la puerta abierta puede provocar una exposición nociva a la energía de microondas. Es importante no anular ni manipular el interbloqueo de seguridad.
- B. No coloque ningún objeto entre la cara frontal del horno y la puerta ni permita que se acumulen suciedad o restos de limpiador en la superficie de sellado.
- C. No utilice el horno si está dañado. Es muy importante que la puerta del horno cierre correctamente y que no se produzcan daños en las siguientes partes:
 1. Puerta (doblada)
 2. Bisagras y pestillos (rotos o flojos)
 3. Junta de la puerta y superficie de sellado
- D. Solo el personal de servicio debidamente calificado debe ajustar o reparar el horno.

PRECAUCIONES Y SÍMBOLOS DE SEGURIDAD IMPORTANTES

Significado de los íconos y símbolos de este manual del usuario:

⚠ ADVERTENCIA

Peligros o prácticas poco seguras que pueden provocar **lesiones personales graves o la muerte.**

⚠ PRECAUCIÓN

Peligros o prácticas poco seguras que pueden provocar **lesiones personales leves o daños a la propiedad.**

⚠ PRECAUCIÓN

Para disminuir el riesgo de incendio, explosión, descarga eléctrica o lesiones personales al usar su horno microondas, siga las siguientes precauciones de seguridad básicas.



NO lo fuerce.



NO lo desmonte.



NO lo toque.



Siga las instrucciones de forma explícita.



Desconecte el enchufe de la toma de corriente.



Asegúrese de que la máquina tenga conexión a tierra para evitar descargas eléctricas.



Comuníquese con el centro de servicios para solicitar ayuda.



Nota

Estos símbolos de advertencia son para evitar que usted y otras personas sufran daños. Sígalos de forma explícita. Después de leer esta sección, guárdela en un lugar seguro para futuras consultas.

Instrucciones de seguridad importantes

1. Aviso de la FCC

DECLARACIÓN DE LA FCC:

Este equipo genera y utiliza energía de frecuencias ISM y, si no se instala ni se usa adecuadamente de forma estricta según las instrucciones del fabricante, puede causar interferencias en la recepción de radio o televisión. Se probó y se demostró que cumple con los límites para los equipos ISM, de acuerdo con la sección 18 de las normas de la FCC, que están diseñadas para proporcionar instalación residencial.

Sin embargo, no existe garantía de que no se produzca interferencia en una instalación particular. Si este equipo produce interferencias en la recepción de radio o televisión, que se pueden determinar al encender o apagar el artefacto, se le recomienda al usuario que intente corregir la interferencia con las siguientes medidas:

- Cambiar la orientación de la antena receptora de la radio o televisión.
- Cambiar la ubicación del horno microondas con respecto del receptor.
- Alejar el horno microondas del receptor.
- Enchufar el horno microondas a un tomacorriente diferente para que esté en un nodo de rama distinto del receptor.

El fabricante no se responsabiliza por las interferencias en la radio o televisión como consecuencia de una modificación no autorizada al horno microondas. El usuario es responsable de corregir las interferencias.

Este equipo se sometió a pruebas y se determinó que cumple con los límites para un dispositivo digital clase B, de acuerdo con la sección 15 de las normas de la FCC. Estos límites fueron diseñados para brindar una protección razonable contra las interferencias perjudiciales en una instalación residencial.

El equipo genera, utiliza e irradia energía de radiofrecuencia y, si no se instala y utiliza de acuerdo con las instrucciones, puede causar interferencias dañinas a las radiocomunicaciones. Sin embargo, no existe garantía de que no se produzca interferencia en una instalación particular. Si este aparato produce interferencias perjudiciales en la recepción de radio o televisión, que se pueden determinar al prender o apagar el equipo, se recomienda al usuario que intente corregir la interferencia con las siguientes medidas:

- Cambiar la orientación o ubicación de la antena receptora.
- Aumentar la separación entre el equipo y el receptor.
- Conectar el equipo a un tomacorrientes en un circuito diferente al que está conectado el receptor.
- Solicitar ayuda al distribuidor o a un técnico especializado en radio o TV.

Para cumplir con los requisitos de exposición de radiofrecuencia (RF) de la FCC, se debe mantener una distancia de 20 cm entre la antena del dispositivo y las personas durante el funcionamiento del dispositivo. Para garantizar el cumplimiento, no se recomienda el funcionamiento con una distancia menor a esta.

CONSERVE ESTAS INSTRUCCIONES

ADVERTENCIA: Los cambios o modificaciones a esta unidad que no estén expresamente aprobados por la parte responsable del cumplimiento pueden anular la autoridad del usuario para utilizar este electrodoméstico.

2. Aviso de la IC

El término "IC" que precede al número de certificación de radio solo significa que se cumplen las especificaciones técnicas de Industry Canada. El funcionamiento está sujeto a estas dos condiciones: (1) este dispositivo no puede causar interferencias, y (2) este dispositivo debe aceptar interferencias, incluidas las que puedan causar un funcionamiento no deseado del dispositivo. Este aparato digital de clase B cumple con el estándar ICES-003 de Canadá. Para los productos disponibles en los mercados de EE. UU. y Canadá, solo se encuentran disponibles los canales 1~11. No puede elegir otros canales.

DECLARACIÓN DE IC SOBRE LA EXPOSICIÓN A LA RADIACIÓN:

Este equipo cumple con los límites de exposición a la radiación IC RSS-102 establecidos para un entorno no controlado. El equipo se debe instalar y operar con al menos 8 pulgadas (20 cm) de distancia entre el radiador y el organismo. Este dispositivo y sus antenas no deben ser localizados ni operados en el mismo sitio de otra antena o transmisor.

ADVERTENCIA DE LA PROPUESTA 65 DE CALIFORNIA

⚠️ ADVERTENCIA

Cáncer y daño reproductivo: www.P65Warnings.ca.gov

⚠️ ADVERTENCIA

Para reducir el riesgo de quemaduras, descargas eléctricas, incendios, lesiones personales o exposición a un exceso de energía de microondas:

1. Lea todas las instrucciones de seguridad antes de utilizar el electrodoméstico.
2. Lea y siga la sección específica **Precauciones para evitar una posible exposición a un exceso de energía de microondas en la página 3.**
3. Este artefacto debe tener conectado a tierra. Conecte el aparato únicamente al tomacorriente con una correcta conexión a tierra. Consulte las **Instrucciones para la conexión a tierra en la página 7** importantes de este manual.
4. Instale o ubique este artefacto únicamente como indican las instrucciones de instalación proporcionadas.
5. Algunos productos, como los huevos enteros y los recipientes cerrados (por ejemplo, potes de vidrio cerrados), pueden explotar si se calientan rápidamente. No los caliente nunca en el horno microondas.
6. Utilice este artefacto sólo para el uso previsto, tal como se describe en el manual.

No ponga productos químicos corrosivos o vapores en este artefacto o sobre él. Este tipo de horno está diseñado específicamente para calentar, cocinar o secar alimentos. No está diseñado para uso industrial o de laboratorio.

CONSERVE ESTAS INSTRUCCIONES

Instrucciones de seguridad importantes

7. Al igual que con cualquier electrodoméstico, debe haber supervisión cuando los niños lo utilizan. Mantenga a los niños alejados de la puerta cuando la abra o la cierre, ya que podría golpearlos o machucar sus dedos.
8. No utilice este artefacto si tiene un cable o enchufe dañado, si no funciona correctamente o si se ha dañado o caído.
9. Este artefacto debe ser reparado o mantenido solo por el personal de servicio calificado. Póngase en contacto con el servicio técnico autorizado más cercano para realizar análisis, reparaciones o ajustes.
10. No tape ni obstruya las aberturas del artefacto.
11. No altere, ajuste ni repare la puerta.
12. No guarde este artefacto a la intemperie. No utilice este producto cerca del agua, por ejemplo, cerca de un fregadero de cocina, en un sótano húmedo, cerca de una piscina o lugares similares.
13. No sumerja el cable o enchufe en agua.
14. Aleje el cable de las superficies calientes. (Incluida la parte posterior del horno).
15. No deje que el cable cuelgue del borde de una mesa o encimera.
16. Cuando limpie las superficies de la puerta y el horno que se juntan al cerrar la puerta, utilice sólo jabones suaves y no abrasivos, o detergentes aplicados con una esponja o un paño suave. Desconecte el enchufe antes de limpiarlo.
17. Para reducir el riesgo de incendio en la cavidad del horno:
 - a. No cocine de más los alimentos. Atienda cuidadosamente el artefacto cuando coloque papel, plástico u otros materiales inflamables dentro del horno para facilitar la cocción.
 - b. Retire las bridas de alambre de las bolsas de papel o plástico antes de introducir las en el horno.
 - c. Si los materiales en el interior del horno se encienden, mantenga la puerta cerrada, apáguelo y desconecte el cable de alimentación o corte la alimentación en el panel del disyuntor o fusible. Si abre la puerta, el fuego puede expandirse.
 - d. No utilice la cavidad del horno como espacio de almacenamiento. No deje productos de papel, utensilios de cocina ni alimentos en la cavidad cuando no lo esté usando.
18. Los líquidos, como el agua, la leche, el café o el té, pueden sobrecalentarse más allá del punto de ebullición sin que parezca que están hirviendo. No siempre se produce un burbujeo o ebullición visible al retirar el recipiente del horno microondas. **ESTO PODRÍA PROVOCAR QUE LÍQUIDOS MUY CALIENTES HIRVIERAN REPENTINAMENTE AL AGITAR EL RECIPIENTE O AL INTRODUCIR UNA CUCHARA U OTRO UTENSILIO EN EL LÍQUIDO.** Para reducir el riesgo de lesiones:
 - a. No sobrecalentar el líquido.
 - b. Remover el líquido antes de calentarlo y a mitad del proceso de calentamiento.
 - c. No utilizar recipientes de lados rectos y cuellos estrechos.
 - d. Después de calentar, dejar reposar el recipiente en el horno microondas durante un breve período antes de sacarlo.
 - e. Tener mucho cuidado al meter una cuchara u otro utensilio en el recipiente.
19. No introduzca alimentos ni utensilios metálicos de gran tamaño en el horno microondas, ya que pueden provocar un incendio o riesgo de descarga eléctrica.
20. No limpie el microondas con una esponja metálica. Un trozo de metal podría salirse de la esponja, entrar en contacto con las piezas eléctricas y provocar una descarga eléctrica.
21. No coloque productos de papel en el horno cuando lo utilice en modo tostadora.
22. No guarde ningún material en este horno cuando no esté en uso, salvo los accesorios recomendados por el fabricante.
23. No recubra las rejillas ni ninguna parte del horno con papel metálico. Esto hará que el horno se sobrecaliente.

PRECAUCIÓN

1. Limpie las campanas de ventilación con frecuencia. No debe permitir que se acumule grasa en la campana del filtro.
2. Cuando flamee comida debajo del ventilador, enciéndalo.
3. Tenga cuidado al limpiar el filtro de la campana extractora. Los productos de limpieza corrosivos, como el limpiador para hornos a base de lejía, pueden dañar el filtro.

CONSERVE ESTAS INSTRUCCIONES

INSTRUCCIONES PARA LA CONEXIÓN A TIERRA

Este artefacto debe tener conectado a tierra. En caso de que se produzca un cortocircuito eléctrico, la conexión a tierra reduce el riesgo de descarga eléctrica al proporcionar un cable de escape para la corriente eléctrica. Este aparato está equipado con un cable que incluye una conexión a tierra y un enchufe de conexión a tierra. El enchufe debe conectarse a un tomacorriente que esté instalado y conectado a tierra de forma adecuada.

ADVERTENCIA

El uso inadecuado del enchufe de conexión a tierra puede causar riesgo de descarga eléctrica.

- Enchufe el artefacto a un tomacorriente de conexión a tierra de tres clavijas. No retire la tercera clavija (de conexión a tierra). No utilice un adaptador ni obstaculice de otra manera la función de seguridad del enchufe de conexión a tierra.
- Consulte a un electricista o técnico calificado si no comprende las instrucciones de conexión a tierra o si no está seguro de que el artefacto esté conectado a tierra de manera correcta.
- No se recomienda utilizar un cable de extensión con este artefacto. Si el cable de alimentación es demasiado corto, pídale un electricista o técnico de servicio calificado que instale un tomacorriente cerca del aparato. No obstante, si es necesario utilizar un cable de extensión, lea y siga el apartado **Uso de cables de extensión** que figura a continuación.

USO DE CABLES DE EXTENSIÓN

Se suministra un cable de alimentación corto para reducir el riesgo de enredos o tropiezos con un cable más largo. Existen juegos de cables más largos o cables de extensión que puede utilizar si tiene cuidado. Si utiliza un cable largo o un cable de extensión:

1. La capacidad eléctrica indicada del juego de cables o el cable de extensión debe ser como mínimo igual a la capacidad eléctrica del artefacto.
2. El cable de extensión debe ser un cable trifásico con conexión a tierra y debe enchufarse a un tomacorriente de 3 ranuras.
3. El cable más largo debe colocarse de modo que no caiga sobre la encimera o el tablero de la mesa, donde los niños podrían tirar de él o tropezar accidentalmente. Si utiliza un cable de extensión, la luz interior puede parpadear y la velocidad del soplador puede variar cuando el horno microondas esté encendido. El tiempo de cocción también puede ser mayor.

CONSERVE ESTAS INSTRUCCIONES

ADVERTENCIAS IMPORTANTES SOBRE LA INSTALACIÓN

★ El artefacto debe ser instalado por un técnico o una empresa de servicios calificada.

- Si no cuenta con un técnico calificado para la instalación del horno, puede producirse una descarga eléctrica, un incendio, una explosión, problemas con el producto o lesiones.

Desempaque el horno, retire todo el embalaje y examine si tiene daños como abolladuras en el interior o el exterior, cierres rotos o grietas en la puerta, o si está desalineada. Si hay daños, no utilice el horno y comuníquese inmediatamente con su proveedor.

Asegúrese de instalar el horno en un lugar con espacio adecuado.

Retire todas las sustancias extrañas, como el polvo o el agua, de los terminales del enchufe de alimentación y de los puntos de contacto con un paño seco regularmente.

- Desconecte el enchufe de alimentación y límpielo con un paño seco.
- De lo contrario, podría producirse una descarga eléctrica o un incendio.

Conecte el cable de alimentación a un tomacorriente de conexión a tierra de tres clavijas. Su horno debe ser el único artefacto conectado en este circuito.

- Compartir un tomacorriente con otros aparatos, utilizar una regleta o extender el cable de alimentación puede provocar una descarga eléctrica o un incendio.
- No utilice un transformador eléctrico. Podría provocar una descarga eléctrica o un incendio.
- Asegúrese de que el voltaje, la frecuencia y la corriente suministrados coincidan con las especificaciones del producto. De lo contrario, podría producirse una descarga eléctrica o un incendio.

Mantenga todos los materiales de embalaje fuera del alcance de los niños. Los niños podrían usarlos para jugar.

☰ Este artefacto debe estar correctamente conectado a tierra. Lea y siga las **Instrucciones para la conexión a tierra** específicas que se encuentran al comienzo de esta sección. No conecte el artefacto a una tubería de gas, una tubería de agua de plástico o una línea telefónica.

- Esto podría provocar una descarga eléctrica, un incendio, una explosión o problemas con el producto.
- Nunca conecte el cable de alimentación a un tomacorriente que no esté conectado a tierra correctamente y asegúrese de que esté conectado a tierra de acuerdo con los códigos locales y nacionales.

No corte ni retire la tercera clavija (conexión a tierra) del cable de alimentación bajo ninguna circunstancia.

El microondas requiere un tomacorriente con conexión a tierra simple con circuito derivado independiente de 15 A como mínimo y 20 A como máximo.

☒ No instale este artefacto en un lugar húmedo, aceitoso o polvoriento, ni en un lugar expuesto a la luz solar directa o al agua (gotas de lluvia).

- Esto podría provocar una descarga eléctrica o un incendio.
- Conecte el enchufe en la toma de corriente con firmeza. No utilice un enchufe ni cable de alimentación dañados ni un tomacorriente flojo.
- Esto podría provocar una descarga eléctrica o un incendio.

No lo monte sobre un fregadero.

No tire del cable de alimentación ni lo doble excesivamente.

No tuerza ni ate el cable de alimentación.

No cuelgue el cable de alimentación en un objeto de metal, no le apoye un objeto pesado sobre él, no lo coloque entre objetos ni empuje el cable de alimentación en el espacio detrás del artefacto.

- Esto podría provocar una descarga eléctrica o un incendio.
- No tire del cable de alimentación cuando desconecte el horno.
- Desconecte el horno tirando solo del enchufe.
 - De lo contrario, podría producirse una descarga eléctrica o un incendio.

✎ Si el enchufe o el cable de alimentación están dañados, comuníquese con el centro de servicios más cercano para solicitar un reemplazo o reparación.

CONSERVE ESTAS INSTRUCCIONES

PRECAUCIONES DE INSTALACIÓN

- ★ Coloque el horno de modo que el enchufe sea de fácil acceso.
 - De lo contrario, podría producirse una descarga eléctrica o un incendio debido a una fuga eléctrica.
- 🔌 Desconecte el horno cuando no esté en uso durante períodos prolongados o durante una tormenta eléctrica.
 - De lo contrario, podría producirse una descarga eléctrica o un incendio.

ADVERTENCIAS CRUCIALES SOBRE EL USO

- ★ Si el microondas se inunda, comuníquese con el centro de servicios de Samsung más cercano. De lo contrario, podría producirse una descarga eléctrica o un incendio.

Lea y siga las **“Precauciones para evitar la posible exposición a energía excesiva de microondas”** específicas que se encuentran al comienzo de esta sección de información de seguridad.

Si el microondas produce un sonido extraño, olor a quemado o humo, desenchúfelo inmediatamente y comuníquese con el centro de servicios de Samsung más cercano.

 - De lo contrario, podría producirse una descarga eléctrica o un incendio.

En caso de fuga de gas (gas propano, gas LP, etc.), ventile la habitación inmediatamente. No toque el microondas, el cable de alimentación o el enchufe.

 - No utilice un ventilador.
 - Una chispa podría provocar una explosión o un incendio.

Tenga cuidado de que la puerta u otras partes no entren en contacto con su cuerpo mientras el microondas está cocinando o justo después de cocinar.

 - No hacerlo podría provocar quemaduras.

- ★ En caso de un incendio provocado por grasa en las unidades de superficie debajo del horno microondas, extinga la charola en llamas sobre la superficie cubriéndola por completo con una tapa, una bandeja para hornear o una bandeja plana.

Nunca descuide las unidades de superficie debajo de su horno microondas en ambientes con temperaturas altas. El sobrecalentamiento puede ocasionar humo y derrames de grasa que podrían incendiarse y expandirse si el ventilador se encuentra funcionando. Para minimizar el funcionamiento automático del ventilador, utilice recipientes de tamaño adecuado y programe temperaturas altas sobre las unidades de superficie solo cuando sea necesario.

Si los materiales en el interior del horno microondas se encienden, mantenga la puerta cerrada, apáguelo y desconecte el cable de alimentación o corte la alimentación en el panel del disyuntor o fusible. Si abre la puerta, el fuego puede expandirse.

El uso de utensilios de cocina de tamaño inadecuado sobre la estufa podría provocar el derretimiento de la puerta del horno microondas u otros daños.

 - Respete siempre las precauciones de seguridad cuando utilice su horno microondas. Nunca intente reparar el horno por su cuenta. Posee voltaje peligroso en su interior. Si necesita reparar su horno, comuníquese con un centro de servicios autorizado cercano.
- ⚠ No intente reparar, desarmar ni modificar el artefacto por su cuenta.
 - Una corriente de alto voltaje ingresa a la carcasa del producto durante el funcionamiento, por lo que abrir la carcasa puede provocar una descarga eléctrica o un incendio.
 - Es posible que esté expuesto a ondas electromagnéticas.
 - Si el horno microondas requiere reparación, comuníquese con el centro de servicios de Samsung más cercano.
- 🔌 Si sustancias extrañas, tales como agua, ingresa en el microondas, desconéctelo y comuníquese con el centro de servicios más cercano.
 - De lo contrario, podría producirse una descarga eléctrica o un incendio.

CONSERVE ESTAS INSTRUCCIONES

Instrucciones de seguridad importantes

- ❑ No toque el enchufe de alimentación con las manos mojadas.
 - Esto podría provocar una descarga eléctrica.
- No apague el artefacto desconectando el enchufe mientras está en funcionamiento.
 - Volver a conectar el enchufe en la toma de corriente podría provocar una chispa y provocar una descarga eléctrica o un incendio.
- Mantenga todos los materiales de embalaje bien fuera del alcance de los niños. Los materiales de embalaje podrían ser peligrosos para ellos.
 - El niño podría asfixiarse si coloca una bolsa sobre su cabeza.
- No permita que niños ni personas con capacidades físicas, sensoriales o mentales reducidas utilicen este artefacto sin supervisión. Asegúrese de que el aparato esté fuera del alcance de los niños.
 - De lo contrario, podría producirse una descarga eléctrica, quemaduras o lesiones.
- No toque el interior del artefacto inmediatamente después de cocinar. El interior del artefacto estará caliente.
 - El calor en el interior del horno microondas puede provocar quemaduras.
- No coloque papel de aluminio (salvo lo que se indica específicamente en este manual), objetos metálicos (como contenedores, tenedores, etc.) o recipientes con bordes dorados o plateados en el microondas.
 - Estos objetos podrían provocar chispas o un incendio.
- No utilice ni coloque aerosoles u objetos inflamables cerca del horno microondas.
 - El calor del microondas podría provocar que los aerosoles inflamables exploten o se quemen.
 - De lo contrario, podría producirse una descarga eléctrica o lesiones.
- No altere, ajuste ni repare la puerta. Bajo ninguna circunstancia debe extraer el gabinete exterior.
- No almacene ni utilice el horno microondas al aire libre.

PRECAUCIONES DE USO

- ★ Si la superficie del microondas tiene una grieta, apague el artefacto.
 - De lo contrario, podría producirse una descarga eléctrica.
- Los platos y recipientes pueden calentarse. Manipule con cuidado. Los alimentos calientes y el vapor pueden provocar quemaduras. Quite con cuidado las tapas de los recipientes, alejando el vapor de las manos y la cara.
- Quite las tapas de la comida para bebés antes de calentarla. Después de calentar la comida para bebés, revuelva bien para distribuir el calor uniformemente. Pruebe siempre la temperatura antes de alimentar al bebé. El frasco de vidrio o la superficie del alimento pueden parecer más fríos que el alimento del interior, que puede estar caliente y quemar la boca del bebé.
- Asegúrese de que todos los utensilios de cocina usados en el horno microondas sean aptos para microondas.
- Utilice utensilios de cocina aptos para microondas que cumplan estrictamente con las recomendaciones de dicho fabricante.
- ❑ No se pare sobre el microondas ni coloque objetos (tales como ropa sucia, cubiertas de horno, velas encendidas, cigarrillos encendidos, vajilla, productos químicos, objetos metálicos, etc.) sobre el artefacto.
 - Los objetos como telas pueden atascarse en la puerta.
 - Esto podría provocar una descarga eléctrica, un incendio, problemas con el producto o lesiones.
- No utilice el artefacto con las manos mojadas.
 - Esto podría provocar una descarga eléctrica.
- No pulverice materiales volátiles, tales como insecticidas, sobre la superficie del artefacto.
 - Además de ser perjudicial para los seres humanos, también podría provocar descargas eléctricas, incendios o problemas con el producto.
- No coloque el artefacto sobre objetos frágiles, tales como fregaderos u objetos de vidrio.
 - Esto podría provocar daños en el fregadero o en el objeto de vidrio.

CONSERVE ESTAS INSTRUCCIONES

- ☐ No acerque la cara ni el cuerpo al artefacto al cocinar o al abrir la puerta justo después de cocinar.
 - Procure que los niños no se acerquen demasiado al artefacto.
 - De lo contrario, podrían quemarse.
- No coloque comida ni objetos pesados sobre la puerta.
 - Cuando abra la puerta, la comida u objetos podrían caerse y provocar quemaduras o lesiones.
- No enfríe la puerta, el interior del artefacto ni el plato de forma brusca vertiendo agua sobre ellos durante o inmediatamente después de cocinar.
 - Esto podría provocar daños al artefacto. El vapor o el rocío de agua podría causar quemaduras o lesiones.
- No cocine sin la bandeja de vidrio colocada en el piso del horno. Los alimentos no se cocinan correctamente sin la bandeja.
- No descongele bebidas en botellas de cuello estrecho. Los contenedores pueden romperse.
- No raye el vidrio de la puerta del horno microondas con un objeto punzante.
 - Esto podría dañar o romper el vidrio.
- No guarde nada directamente encima del artefacto cuando esté en funcionamiento.
- No utilice recipientes sellados. Retire los sellos y las tapas antes de usarlos. Los recipientes sellados pueden explotar debido a la acumulación de presión, incluso después de apagar el horno.

INSTRUCCIONES CRÍTICAS SOBRE LA LIMPIEZA

- No limpie el artefacto pulverizando agua directamente.
- No utilice benceno, disolventes ni alcohol para limpiar el artefacto.
 - Esto podría provocar decoloración, deformación, daños, una descarga eléctrica o un incendio.
- Antes de limpiar o realizar tareas de mantenimiento, desenchufe el artefacto de la toma de corriente. A continuación,, retire los desechos de alimentos de la puerta y del compartimento de cocción.
 - De lo contrario, podría producirse una descarga eléctrica o un incendio.
- Tenga cuidado de no lastimarse al limpiar el artefacto. (externo/interno)
 - Podría lastimarse con los bordes filosos del artefacto.
- No limpie el artefacto con un limpiador a vapor.
 - Esto podría provocar corrosión.
- Mantenga el interior del horno microondas limpio. Las partículas de comida o las salpicaduras de aceite adheridas a las paredes o al piso del horno pueden dañar la pintura y reducir su eficacia.

CONSERVE ESTAS INSTRUCCIONES

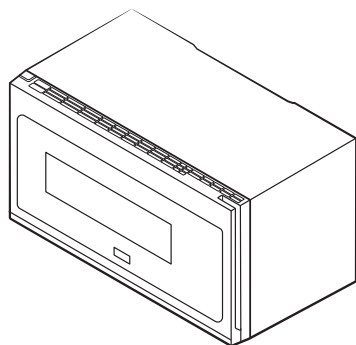
Configurar su nuevo horno microondas

Asegúrese de seguir estas instrucciones de cerca para que su nuevo horno microondas funcione correctamente.

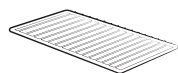
Revisión de las piezas

Desempaque cuidadosamente el horno microondas y asegúrese de haber recibido todas las piezas que se muestran a continuación. Si el horno microondas se dañó durante el envío o si no tiene todas las piezas, comuníquese con el Centro de atención telefónica de Samsung.

(Consulte la **INFORMACIÓN DE GARANTÍA Y SERVICIO** en la página 41).



Horno microondas



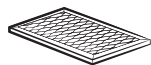
* Estante



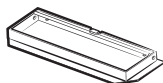
* Bandeja de vidrio



* Anillo guía giratorio



* Filtro de carbón



* Adaptador del conducto de salida



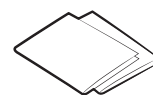
* Filtros de grasa (2 c/u)



* Kit de accesorios (tornillos y soportes)



Manuales (de usuario y de instalación)



Plantillas (superior y de pared)

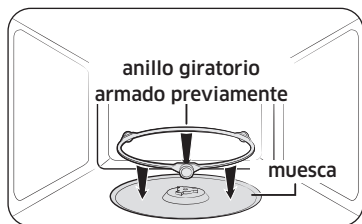
NOTA

Si necesita un accesorio marcado con un * (asterisco), comuníquese con el Centro de atención telefónica de Samsung a través del número de teléfono que aparece en la última página de este manual o visite nuestro sitio web de piezas en línea en www.samsungparts.com.

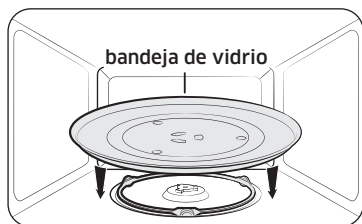
Configurar su horno microondas



1. Abra la puerta tirando de la manija en el lado derecho de la puerta.
2. Limpie el interior del horno microondas con un paño húmedo.



3. Instale el anillo armado previamente en la muesca que se encuentra en el centro del horno microondas.



4. Coloque la bandeja de vidrio firmemente en el centro del anillo giratorio armado previamente.

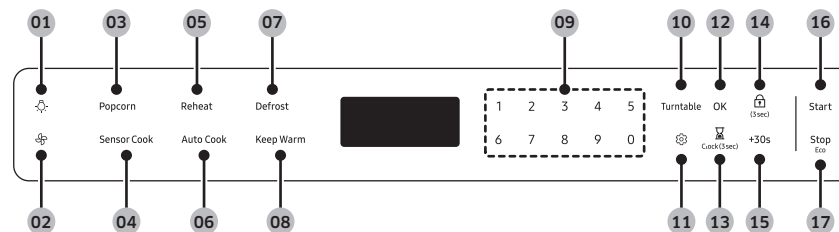
Instalación del estante de metal

Cuando necesite utilizar el estante metálico, colóquelo en los ganchos de plástico dentro del horno y asegúrese de que esté colocado correctamente para evitar arcos eléctricos que puedan dañar el horno.

⚠ PRECAUCIÓN

Asegúrese de que el estante esté colocado correctamente dentro del microondas para evitar que se produzcan daños en el horno debido a arcos.

Acerca del panel de control

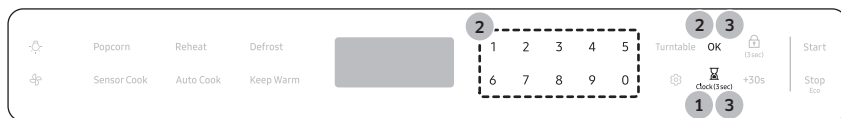


- | | |
|---|---|
| 01 Botón Lámpara de la cubierta (alta/baja/apagada) | 10 Botón Turntable (Plato giratorio) |
| 02 Botón Ventilador (4 velocidades y encender/apagar) | 11 Botón Configuración |
| 03 Botón Popcorn (Palomitas de maíz) | 12 Botón OK (Aceptar) |
| 04 Botón Sensor Cook (Cocción con sensor) | 13 Botón Configuración del temporizador/reloj de cocina |
| 05 Botón Reheat (Recalentar) | 14 Botón Seguro para niños |
| 06 Botón Auto Cook (Cocción automática) | 15 Botón +30 sec (+30 s) |
| 07 Botón Defrost (Descongelado) | 16 Botón Start (Inicio) |
| 08 Botón Keep Warm (Mantener caliente) | 17 Botón Stop Eco (Detener Eco) |
| 09 Teclas numéricas | |

Configurar su nuevo horno microondas

Establecer la hora

Su horno microondas cuenta con un reloj incorporado. Configure el reloj al instalar su horno microondas por primera vez o después de una interrupción de energía eléctrica. La hora aparece siempre que el horno microondas no esté en uso.



1. Mantenga presionada la tecla **Clock (Reloj)** durante 3 segundos.
2. Use los botones **numéricos** para ingresar la hora y toque el botón **OK (Aceptar)**.
3. Para el modo de pantalla de 12 horas, toque el botón **Clock (Reloj)** para establecer a. m. o p. m. y, luego, toque el botón **OK (Aceptar)**.

Turntable (Plato giratorio) (encender/apagar)



1. Toque el botón **Turntable (Plato giratorio)** para activarlo o desactivarlo.

NOTA

Puede usar esta función solo en el modo de cocción manual.

Si el plato giratorio no gira durante un tiempo largo, los alimentos podrían quemarse.

Para obtener mejores resultados de cocción, deje la función del plato giratorio activada.

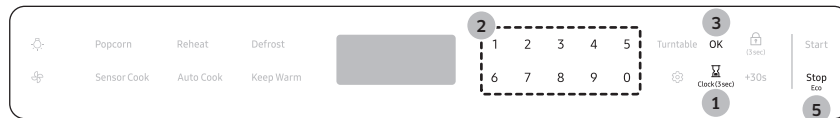
PRECAUCIÓN

Es posible que el plato giratorio se caliente demasiado para tocarlo.

Utilice guantes protectores para manipular el plato giratorio durante la cocción y después de ella.

Cronómetro

Su horno microondas cuenta con una función de temporizador incorporada, el **Temporizador de cocina**. Utilice el cronómetro para programar hasta 99 minutos, 99 segundos.




1. Toque el botón **Temporizador de cocina**.
2. Use los botones **numéricos** para programar el tiempo.
3. Toque el botón **OK (Aceptar)**.
4. La pantalla cuenta regresivamente y luego emite señales sonoras cuando el tiempo ha llegado a su fin.
5. Para cancelar la configuración del temporizador, toque el botón **Stop (Detener)**.

Seguro para niños

La función **Seguro para niños** le permite bloquear todos los botones para que los niños no accionen el horno microondas por accidente-



Activación/Desactivación

1. Si desea activar o desactivar la función de seguro para niños, toque el botón **Seguro para niños** durante 3 segundos. En la pantalla, se mostrará  cuando el horno esté bloqueado.

Botón Stop (Detener)

El botón **Stop (Detener)** le permite borrar las instrucciones que ha ingresado. También le permite detener el ciclo de cocción del horno microondas, de manera que pueda revisar sus alimentos.

- Para pausar el horno durante la cocción, toque el botón **Stop (Detener)** una vez.
Para reiniciar, toque el botón **Start (Inicio)**.
- Para detener la cocción, borrar las instrucciones y regresar la pantalla del horno a la hora del día, toque el botón **Stop (Detener)** dos veces.
- Para eliminar las instrucciones que acaba de ingresar, toque el botón **Stop (Detener)** una vez e ingrese las instrucciones nuevamente.
- Para cancelar una configuración del temporizador, toque el botón **Stop (Detener)** una vez.

Eco Mode (Modo Eco)

El **Eco Mode (Modo Eco)** reduce el uso de potencia en el estado de espera. Cuando toca una vez el botón **Stop Eco (Detener Eco)**, la pantalla se apaga y se conecta el modo que minimiza el uso de la potencia. Para cancelar el **Eco Mode (Modo Eco)**, toque cualquier botón.

+30 sec (+30 s)

Esta función ofrece una forma conveniente de aumentar el tiempo de cocción en el modo de cocción manual.

1. En el modo de espera, si toca el botón **+30 sec (+30 s)**, se agregarán 30 segundos al modo de microondas.
2. Si el horno está en modo de cocción manual, al tocar el botón **+30 sec (+30 s)**, se agregará tiempo de cocción de a 30 segundos.

Lámpara de la cubierta (alta/baja/apagada)

Toque el botón **Lámpara de la cubierta** para activar o desactivar la lámpara de la cubierta. Toque una vez para alta, dos veces para baja y tres veces para apagar la lámpara de la cubierta.

Ventilador (4/3/2/1/apagado)

El ventilador extrae los vapores que se generan al cocinar sobre la cubierta ubicada abajo.

Toque el botón **Ventilador** una vez para dar más potencia al ventilador, dos veces para la velocidad alta del ventilador, tres veces para la velocidad media del ventilador y cuatro veces para la velocidad baja del ventilador. Presione el botón cinco veces para apagar el ventilador.

NOTA

- La velocidad del ventilador del extractor puede disminuir cuando la función de cocción del horno esté activada.
- El ventilador protege el horno microondas contra los excesos de calor. Se enciende automáticamente si detecta demasiado calor. Si fue usted quien encendió el ventilador, quizás note que no puede apagarlo. El ventilador se apagará automáticamente cuando las partes internas se hayan enfriado. El ventilador podría permanecer encendido durante 30 minutos o más después de haber apagado los controles de la cubierta y el microondas.

Configuración del sistema

Su nuevo horno microondas puede personalizarse según sus gustos. Para personalizar:



1. Toque el botón **Configuración**.
2. Toque los botones **numéricos (1-6)** para seleccionar una función que desee personalizar y, luego, toque el botón **OK (Aceptar)**.
3. Toque el número **1 o 2** para cambiar las opciones y, luego, toque el botón **OK (Aceptar)**.

Configurar su nuevo horno microondas

Las funciones y las opciones se enumeran en la tabla siguiente.

Función		Descripción	Opciones	
1	Recordatorio de filtro	La función Recordatorio de filtro puede activarse y desactivarse.	1	Activado
			2	Apagado
2	Unidad de peso	La opción de peso se puede indicar en libras o gramos.	1	lb
			2	g
3	Sonidos	Puede activar y desactivar el sonido.	1	Activado
			2	Apagado
4	Señal de recordatorio de finalización	La señal de recordatorio de finalización puede activarse y desactivarse.	1	Activado
			2	Apagado
5	Utilice el formato de 24 horas	El reloj puede aparecer en cualquiera de los dos modos de tiempo de 12 horas o 24 horas.	1	12h
			2	24h
6	Wi-Fi	La función Wi-Fi puede activarse y desactivarse.	1	Activado
			2	Apagado

NOTA

- Si cambia de opinión al ajustar un parámetro, toque el botón **Stop (Detener)** para cancelar y, luego, ajuste el parámetro nuevamente.
- Si hay una interrupción en el suministro de energía, deberá reprogramar estas opciones.
- Si la función **Recordatorio de filtro** está encendida, el horno microondas le recordará limpiar o reemplazar el filtro de grasa cada cuatro meses. Cuando es necesario limpiar o reemplazar el filtro de grasa, el horno microondas muestra el mensaje recordatorio **Filter (Filtro)** para recordarle limpiar o reemplazar el filtro de grasa. Para eliminar el mensaje, toque el número 0 cuando el horno microondas esté en modo de espera. Si no desea recibir este mensaje, desactive la función **Recordatorio de filtro** en **System Settings (Configuración del sistema)**.

Control inteligente

Para usar Control inteligente del horno microondas, debe descargar la aplicación SmartThings en un dispositivo móvil.

Es posible que las funciones disponibles en la aplicación SmartThings no funcionen correctamente si las condiciones de comunicación son deficientes o el horno microondas está instalado en un lugar con una señal débil de Wi-Fi.

Cómo conectar el horno microondas

1. Descargue y abra la aplicación SmartThings en su dispositivo inteligente.
2. Siga las instrucciones que aparecen en la pantalla de la aplicación para conectar su horno microondas.
3. Para operar la función de Smart Control del horno microondas, mantenga presionado el botón **OK (Aceptar)** durante 3 segundos.
4. Una vez que se completa el proceso, el ícono  aparece en la pantalla de su horno microondas y la aplicación confirma que está conectado.
5. Si el ícono de conexión no se enciende, siga la instrucción en la aplicación para volver a conectarse.

Control remoto del horno microondas mediante el uso de la aplicación SmartThings	
Supervisión del horno microondas	Compruebe el estado del horno microondas
Control remoto del horno microondas	Control remoto de la lámpara de la cubierta/ velocidad del ventilador

NOTA

- Por motivos de seguridad, no puede encender el horno microondas de manera remota y debe especificar el tiempo de cocción para habilitar el control remoto.
- Smart Control no funcionará correctamente si la conexión de Wi-Fi es inestable.

Control por voz

Para utilizar la función de control por voz del horno microondas, debe instalar en su dispositivo móvil las aplicaciones Bixby o Amazon Alexa o el Asistente de Google.

Bixby

Inicie una conversación con Bixby en su móvil SAMSUNG diciendo "Hi, Bixby" o presionando la tecla lateral.

Función	Comando OTR de Bixby
Apagar/Detener	<ul style="list-style-type: none">• Cancelar la cocción en microondas• Apagar el microondas
Ver tiempo	<ul style="list-style-type: none">• Comprobar el tiempo restante del microondas• ¿Cuánto tiempo queda en el temporizador del microondas?
Ver estado	<ul style="list-style-type: none">• Comprobar el estado del microondas• Comprobar el estado del microondas
Control de la campana del microondas	<ul style="list-style-type: none">• Encender/apagar la luz de la campana del microondas• Encender/apagar la potencia de la campana del microondas• Encender/apagar el ventilador de la campana del microondas• Establecer la velocidad del ventilador de la campana del microondas en más potencia/alta/media/baja

Función	Comando OTR de Bixby		
Enviar receta de cocción automática	<ul style="list-style-type: none">• Cocinar pizza	<ul style="list-style-type: none">• Cocinar pizza para 2	<ul style="list-style-type: none">• Cocinar 2 porciones de pizza
	<ul style="list-style-type: none">• Calentar pizza	<ul style="list-style-type: none">• Calentar pizza para 2	<ul style="list-style-type: none">• Calentar 2 porciones de pizza
	<ul style="list-style-type: none">• Quiero cocinar pizza	<ul style="list-style-type: none">• Quiero cocinar pizza para 2	<ul style="list-style-type: none">• Quiero cocinar 2 porciones de pizza
	<ul style="list-style-type: none">• ¿Puedes cocinar pizza?	<ul style="list-style-type: none">• ¿Puedes cocinar pizza para 2?	<ul style="list-style-type: none">• ¿Puedes cocinar 2 porciones de pizza?

Amazon Alexa y el Asistente de Google

Los electrodomésticos inteligentes de Samsung son compatibles con la habilidad SmartThings de Alexa y la acción del Asistente de Google.

Guía de instalación

A continuación, se indica cómo vincular la cuenta de SmartThings en la aplicación Amazon Alexa o el Asistente de Google. Debe instalar la aplicación SmartThings y la aplicación Alexa (o el Asistente de Google) en su teléfono.

1. Configure los dispositivos compatibles en SmartThings.
2. Después de configurar los dispositivos, toque el botón + que aparece en la pantalla.
3. Toque **Voice assistant (Asistente de voz)** y vincule su cuenta de Samsung con Amazon Alexa (o el Asistente de Google).
4. Compruebe que los dispositivos estén visibles en la aplicación Amazon Alexa. Luego la vinculación de la cuenta habrá terminado. (Compruebe que los dispositivos estén visibles y configure la ubicación [casa y habitación] de los dispositivos en la aplicación de Google Home. Luego la vinculación de la cuenta habrá terminado.)

Configurar su nuevo horno microondas



Función	“Alexa”	“Ok, Google”
Apagar/ Detener	<ul style="list-style-type: none"> Apagar el microondas Detener el microondas 	<ul style="list-style-type: none"> Apagar el microondas Detener el microondas
Ver estado	<ul style="list-style-type: none"> ¿El microondas está funcionando? ¿El microondas está encendido? 	<ul style="list-style-type: none"> ¿El microondas está funcionando? ¿El microondas está encendido?
Control de la campana del microondas	<ul style="list-style-type: none"> Encender/apagar la (luz de la campana, lámpara de la campana, lámpara, luz) del microondas Encender/apagar la (luz de la campana, lámpara de la campana) Configurar el (brillo, nivel de luz, nivel de la lámpara) del microondas en [bajo, alto] Encender/apagar (la campana, el ventilador, el ventilador de la campana) en el microondas [nombre del dispositivo] Encender/apagar (la campana, el ventilador de la campana) Configurar la velocidad (de la campana, del ventilador, del ventilador de la campana) del microondas en [baja, media, alta, más potencia] 	<ul style="list-style-type: none"> Encender/apagar la (luz, lámpara) del microondas Encender/apagar la (luz de la campana, lámpara de la campana) Configurar el (brillo, nivel de luz, nivel de la lámpara) del microondas en [bajo, alto] Encender/apagar (la campana, el ventilador, el ventilador de la campana) en el microondas Encender/apagar (la campana, el ventilador de la campana) Configurar la velocidad (de la campana, del ventilador, del ventilador de la campana) del microondas en [baja, media, alta, más potencia]

Función	“Alexa”	“Ok, Google”	
Enviar receta de cocción automática	<ul style="list-style-type: none"> Cocinar pizza 	<ul style="list-style-type: none"> Cocinar pizza para 2 	<ul style="list-style-type: none"> Cocinar 2 porciones de pizza
	<ul style="list-style-type: none"> Calentar pizza 	<ul style="list-style-type: none"> Calentar pizza para 2 	<ul style="list-style-type: none"> Calentar 2 porciones de pizza
	<ul style="list-style-type: none"> Quiero cocinar pizza 	<ul style="list-style-type: none"> Quiero cocinar pizza para 2 	<ul style="list-style-type: none"> Quiero cocinar 2 porciones de pizza
	<ul style="list-style-type: none"> ¿Puedes cocinar pizza? 	<ul style="list-style-type: none"> ¿Puedes cocinar pizza para 2? 	<ul style="list-style-type: none"> ¿Puedes cocinar 2 porciones de pizza?

NOTA

- Por razones de seguridad, no puede encender el horno microondas de manera remota.
- En la siguiente tabla, se muestra el menú disponible para la función Send Auto Cook Recipe (Enviar receta de cocción automática).

Alimento	Cantidad	Instrucciones
Palomitas de maíz	3.0 oz	Preparar solo una bolsa de palomitas para microondas por vez. Tener cuidado al retirar la bolsa del horno y abrirla.
	3.5 oz	
Papas	2 papas	Pinchar cada papa varias veces con un tenedor. Coloque en el plato giratorio al estilo de los rayos de una rueda. Después de cocinar, dejar reposar las papas durante 3 a 5 minutos.
	4 papas	
Pizza	2 rebanadas	Colocar las porciones de pizza en un plato apto para microondas, con los bordes anchos de cada porción hacia el borde del plato. No permitir que los trozos se superpongan. No cubrir.
	4 rebanadas	

Alimento	Cantidad	Instrucciones
Espinaca	2 porciones	Lavar y limpiar la espinaca. Colocar la espinaca en el bol apto para microondas. Agregar de 1 a 4 cucharadas de agua (1 cucharada por porción). Cubrir durante la cocción y remover después.
	4 porciones	
Arroz integral	1 porción	Coloque 0.5 tazas de arroz integral + 1 taza de agua para 2 porciones o 1 taza de arroz integral + 2 tazas de agua para 4 porciones en un recipiente apto para microondas. Revolver bien antes y remover con un tenedor después. Dejar reposar 5 minutos antes de servir.
	2 porciones	
Filetes de pescado	1 porción	Colocar los filetes frescos (bacalao, abadejo, etc.) en un plato y, luego, cubrir con un envoltorio plástico. Colocar el plato en el centro del plato giratorio.
	2 porciones	
Nuggets de pollo	1 porción	Colocar una toalla de papel sobre un plato y colocar los nuggets congelados al estilo de los rayos de una rueda en la toalla de papel. No cubrir. Dejar reposar durante un minuto después de calentar.
	2 porciones	 NOTA Consultar las instrucciones del envase para conocer el tamaño de la porción y la cantidad de alimento.
Papas fritas	1 porción	Colocar dos toallas de papel en un plato apto para microondas y colocar las papas fritas congeladas en las toallas sin que se superpongan. Secar las papas fritas con toallas de papel adicionales después de retirarlas del horno. Dejar reposar durante un minuto.
	2 porciones	 NOTA Consultar las instrucciones del envase para conocer el tamaño de la porción y la cantidad de alimento.

Alimento	Cantidad	Instrucciones
Derretir mantequilla	1 barra	Quitar el envoltorio y cortar la mantequilla por la mitad en forma vertical. Colocar la mantequilla en un recipiente y cubrir con papel encerado. Revolver bien después de finalizar y dejar reposar entre 1 y 2 minutos.
	2 barras	
Ablandar queso crema	1 paquete	Desenvolver el queso crema y colocar en un recipiente apto para microondas. Cortar por la mitad en forma vertical. Dejar reposar durante 2 minutos.

Conectividad automática

La función de Conectividad automática le permite conectar rápido la campana mediante Wi-Fi con una cubierta compatible de Samsung después de haber emparejado la campana y la cubierta.

Para activar la función, presione el botón Auto Connectivity (Conectividad automática) en la aplicación SmartThings.

Para desconectar la campana y la cubierta, presione nuevamente el botón Auto Connectivity (Conectividad automática). Mientras la campana y la cubierta estén conectadas, el ventilador de la campana se encenderá automáticamente cuando encienda la cubierta. El ventilador de la campana también se apagará automáticamente cuando apague la cubierta.

NOTA

Es posible que la función de Auto Connectivity (Conectividad automática) no funcione normalmente cuando se programe una temperatura alta.

Uso del horno microondas

Microondas

Su horno microondas le permite configurar dos etapas diferentes de cocción, cada una con su propio tiempo y nivel de potencia. El nivel de potencia le permite controlar la intensidad del calentamiento desde Tibia (1) hasta Alta (10).

Niveles de potencia

Los 10 niveles le permiten escoger el mejor nivel de potencia para sus necesidades a la hora de cocinar.

Nivel de potencia		Descripción	Nivel de potencia		Descripción
1	10	Tibio	6	60	Hervir a fuego lento
2	20	Bajo	7	70	Medio alto
3	30	Descongelar	8	80	Recalentar
4	40	Medio bajo	9	90	Saltear
5	50	Cocido	10	100	Alto

Cocción en una sola etapa



1. En modo de espera, toque los botones **Numéricos** para programar el tiempo de cocción. Puede ingresar el tiempo desde un segundo hasta 99 minutos con 99 segundos. Para seleccionar un tiempo superior a 1 minuto, ingrese los segundos también. (Por ejemplo, para programar un tiempo de cocción de 20 minutos, ingrese **2, 0, 0, 0**). Si no necesita establecer el nivel de potencia, solo toque el botón **Start (Inicio)**. El horno microondas funcionará automáticamente con el nivel de potencia Alto.
2. Si desea programar el nivel de potencia en cualquier otro nivel que no sea Alto, toque el botón **OK (Aceptar)**.
3. Toque los botones **numéricos** que corresponden al nivel de potencia que desea usar.
4. Toque el botón **Start (Inicio)**. Si desea aumentar o reducir el tiempo de cocción, toque el botón **+30 sec (+30 s)**. Puede ajustar el tiempo de cocción mientras el horno microondas está en funcionamiento.

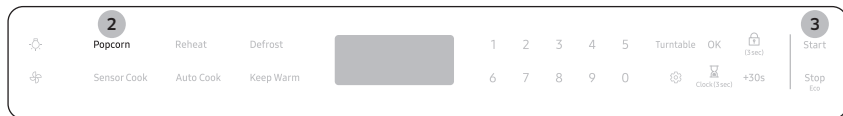
Cocción multietapas (Máximo de 2 etapas)

Su horno le permite configurar dos etapas diferentes de cocción, cada una con su propio tiempo y nivel de potencia. El nivel de potencia le permite controlar la intensidad del calentamiento desde Tibia hasta Alta.

1. Siga los pasos 1, 2 y 3 de la sección **Cocción en una sola etapa**.
2. Presione el botón **OK (Aceptar)** para pasar a la segunda etapa.
3. Siga los pasos 1, 2, 3 y 4 de la sección **Cocción en una sola etapa**.

Palomitas de maíz

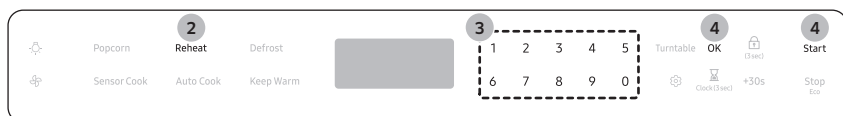
Puede cocinar palomitas de maíz fácilmente al usar el botón **Popcorn (Palomitas de maíz)**. No necesita programar el tiempo de cocción ni el nivel de potencia.



1. Coloque una bolsa de palomitas de maíz sin cocinar en la bandeja.
2. Toque el botón **Popcorn (Palomitas de maíz)**.
3. Toque el botón **Start (Inicio)**. El horno microondas funcionará automáticamente al detectar las palomitas de maíz adentro. (3 - 3.5 oz)

Recalentar

Puede recalentar alimentos fácilmente al usar el botón Reheat (Recalentar). No necesita programar el tiempo de cocción ni el nivel de potencia.



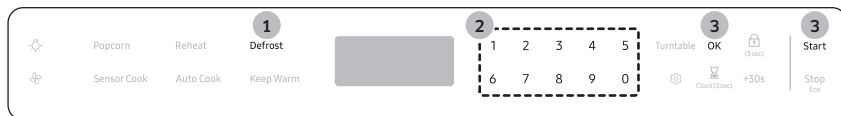
1. Coloque los alimentos sobre la bandeja.
2. Toque el botón **Reheat (Recalentar)**.
3. Seleccione el alimento tocando los botones **numéricos (1 - 3)**.
4. Toque el botón **OK (Aceptar)** o **Start (Inicio)**. El horno microondas funcionará automáticamente al detectar el alimento adentro.

Alimento		Canti- dad	Instrucciones
1	Estofado	De 1 a 4 porciones	Cubrir el plato con una tapa o un envoltorio plástico ventilado. Si la comida no está tan caliente como quisiera después de usar la función Recalentamiento con sensor , continuar calentándola con más tiempo y potencia. Revolver una vez antes de servir. Contenido: Guiso, alimentos refrigerados.
2	Plato de cena	De 1 a 4 porciones	Utilizar solo alimentos precocidos, refrigerados. Cubrir el plato con un envoltorio de plástico ventilado o papel encerado debajo del plato. Si la comida no está tan caliente como quisiera después de usar la función Recalentamiento con sensor , continuar calentándola con más tiempo y potencia. Contenido: De 3 a 4 oz de carne, ave o pescado (hasta 6 oz con hueso), ½ taza de almidón (papas, pastas, arroz, etc.), ½ taza de verduras (alrededor de 3 a 4 oz).
3	Pastas	De 1 a 4 porciones	Cubrir el plato con una tapa o un envoltorio plástico ventilado. Si la comida no está tan caliente como quisiera después de usar la función Recalentamiento con sensor , continuar calentándola con más tiempo y potencia. Revolver una vez antes de servir. Contenido: Pastas: espaguetis y raviolos enlatados.

Uso del horno microondas

Descongelar

Para descongelar alimentos congelados, ingrese el peso del alimento y el horno microondas programará automáticamente el tiempo de descongelamiento, el nivel de potencia y el tiempo de reposo.



1. Toque el botón **Defrost (Descongelar)**.
2. Toque los botones **numéricos** para ingresar directamente el peso de los alimentos. (De 0.1 a 6.0 lb, de 100 a 2700 g. Consulte la tabla a continuación).
3. Toque el botón **OK (Aceptar)** o **Start (Inicio)**.
4. El horno emitirá una señal sonora durante el proceso de descongelado. Abra la puerta del horno y dé vuelta el alimento. Si no gira los alimentos cuando el horno emite una señal sonora, el horno de microondas continuará hasta el final del tiempo de cocción.

Alimento	Cantidad	Instrucciones
Carne asada, cerdo	De 2.5 a 6.0 lb/2.5	Comenzar con el alimento con el lado de la grasa hacia abajo. Después de cada etapa, dar vuelta los alimentos y proteger las partes que están calientes con tiras finas de papel de aluminio. Dejar reposar, cubiertos, entre 10 y 20 minutos.
Bistecs, costillas, pescado	De 0.5 a 3.0 lb	Después de cada etapa, reacomodar el alimento. Si hay alguna parte caliente o descongelada, cubrir con pedacitos finos de papel de aluminio. Retirar cualquier parte del alimento que esté casi descongelada. Dejar reposar, cubiertos, entre 5 y 10 minutos.

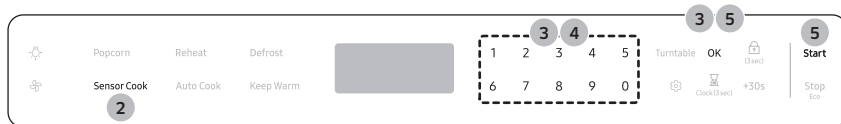
Alimento	Cantidad	Instrucciones
Carne molida	De 0.5 a 3.0 lb	Después de cada etapa, retirar cualquier parte del alimento que esté casi descongelada. Dejar reposar la carne, cubierta con papel de aluminio, entre 5 y 10 minutos.
Pollo entero	De 2.5 a 6.0 lb	Antes de congelar aves, retire los menudos. Cuando descongele aves, comience a descongelar con el lado de la pechuga hacia abajo. Después de la primera etapa, dar vuelta el pollo y proteger las partes que están calientes con tiras finas de papel de aluminio. Después de la segunda etapa, volver a cubrir las partes calientes con tiras finas de papel de aluminio. Dejar reposar, cubierto, entre 30 y 60 minutos en el refrigerador.
Presas de pollo	De 0.5 a 3.0 lb	Después de cada etapa, reacomodar o retirar partes del alimento que estén casi descongeladas. Dejar reposar durante 10 a 20 minutos.

NOTA

Controle los alimentos cuando oiga la señal sonora del horno. Después de la etapa final, aún puede haber hielo en pequeñas partes; déjelas reposar para continuar el proceso de descongelamiento. Los alimentos no están descongelados hasta que todos los cristales de hielo se hayan derretido. Proteger las carnes asadas y los trozos de bistec con pequeños trozos de aluminio evita que los bordes se cocinen antes de que el centro del alimento se haya descongelado. Use tiras uniformes, planas y angostas de papel de aluminio para cubrir los bordes y las partes más delgadas del alimento.

Cocción con sensor

Los botones Cocción con sensor le permiten cocinar sus comidas favoritas usando tiempos y niveles de potencia predeterminados. Si los alimentos no se cocinan bien cuando usa la función de cocción con sensor, complete el proceso de cocción seleccionando el alimento para una cantidad de tiempo adicional.



1. Coloque los alimentos sobre la bandeja.
2. Toque el botón **Sensor Cook (Cocción con sensor)**.
3. Seleccione la categoría del alimento tocando los botones **numéricos** (1 - 5) y, luego, toque el botón **OK (Aceptar)**.
4. Seleccione el alimento tocando los botones **numéricos** si es necesario.
5. Toque el botón **OK (Aceptar)** o **Start (Inicio)**. El horno microondas funcionará automáticamente al detectar el alimento adentro.

Categoría	Alimento	Cantidad	Instrucciones
1	Papas	-	De 1 a 6 papas. Pinchar cada papa varias veces con un tenedor. Coloque en el plato giratorio al estilo de los rayos de una rueda. Después de cocinar, dejar reposar las papas entre 3 y 5 minutos. Dejar que el horno microondas se enfríe durante al menos 5 minutos antes de volver a usarlo.
2	Pizza	-	De 1 a 4 porciones Colocar entre 1 y 4 porciones de pizza en un plato apto para microondas, con los bordes gruesos de cada porción hacia el borde del plato. No permitir que los trozos se superpongan. No cubrir. Dejar que el horno microondas se enfríe durante al menos 5 minutos antes de volver a usarlo.

Categoría	Alimento	Cantidad	Instrucciones
3	Cook (Cocinar)	1	Bebidas 1 taza Utilizar una taza o un jarro para medir y no cubrir. Colocar la bebida en el horno microondas. Después de calentar, revolver bien. Dejar que el horno se enfríe durante al menos 5 minutos antes de volver a usarlo.
		2	Pechugas de pollo De 8 a 24 oz Pinchar las pechugas de pollo 3 veces con un cuchillo. Colocar las pechugas de pollo sobre un plato apto para microondas y cubrir con un envoltorio de plástico ventilado. Cocinar a una temperatura interna de 165 °F. Dejar reposar durante 5 minutos.
		3	Desayuno congelado De 4 a 8 oz Seguir las instrucciones del paquete para cubrir y dejar reposar. Usar este botón para emparedados congelados, entradas de desayuno, crepas, waffles, etc. Dejar que el horno microondas se enfríe durante al menos 5 minutos antes de volver a usarlo.
		4	Comida congelada De 12 a 16 oz Retirar los alimentos de su envoltorio y seguir las instrucciones de la caja para cubrir y dejar reposar. Dejar que el horno microondas se enfríe durante al menos 5 minutos antes de volver a usarlo.

Uso del horno microondas

Categoría	Alimento	Cantidad	Instrucciones
4	Veggies (Verduras)	1 Vegetales frescos	De 1 a 4 tazas Colocar las verduras frescas en un recipiente de cerámica, vidrio o plástico apto para microondas y agregar entre 2 y 4 cucharadas de agua. Cubrir con una tapa o un envoltorio plástico con ventilación. Mezclar antes de dejar reposar. Dejar que el horno microondas se enfríe durante al menos 5 minutos antes de volver a usarlo.
		2 Vegetales congelados	De 1 a 4 porciones Colocar las verduras congeladas en un recipiente de cerámica, vidrio o plástico apto para microondas y agregar entre 2 y 4 cucharadas de agua. Cubrir con una tapa o un envoltorio plástico con ventilación para cocinar. Revolver antes de dejar reposar entre 3 y 5 minutos. Dejar que el horno microondas se enfríe durante al menos 5 minutos antes de volver a usarlo.

Cocción automática

El botón Cocción automática le permite cocinar sus comidas favoritas con tiempos y niveles de potencia predeterminados. Si los alimentos no se cocinan bien cuando usa la función de Cocción automática, complete el proceso de cocción seleccionando el alimento para una cantidad de tiempo adicional.



1. Coloque los alimentos sobre la bandeja.
2. Toque el botón **Auto Cook (Cocción automática)**.
3. Seleccione la categoría del alimento tocando los botones **numéricos** (1 - 4) y, luego, toque el botón **OK (Aceptar)**.
4. Para seleccionar el alimento que desea, toque los botones **numéricos** y, luego, toque el botón **OK (Aceptar)**.
5. Para seleccionar la cantidad de alimentos, toque los botones **numéricos** si es necesario.
6. Toque el botón **OK (Aceptar)** o **Start (Inicio)** para comenzar a cocinar. El horno microondas funcionará automáticamente durante el tiempo previamente programado.

NOTA

También puede utilizar algunos elementos de Auto Cook (Cocción automática) mediante el control por voz. Revise **Control de voz** en la página 17 de este manual.

Categoría	Alimento	Cantidad	Instrucciones
1	Home Dessert (Postre casero)	1	Walnut Pound (Libra de nueces) Pastel
			1 porción
		2	Banana Bread (Pan de plátano)
		1 porción (6 piezas)	<p>Ingredientes 3 plátanos, 120 g de mezcla para crepas, 120 g de leche, 1 huevo, 2 cucharadas de jarabe de malta.</p> <ol style="list-style-type: none"> Picar el plátano. Combinar la mezcla para crepas, la leche, el huevo y el jarabe de malta en un recipiente. Agregar el plátano y mezclar bien. Verter la mezcla en 6 vasos de papel. Colocar los vasos de papel en el horno microondas y seleccionar la opción Banana Bread (Pan de plátano) debajo de Home Dessert (Postre casero). Después de cocinar, dejar reposar entre 2 y 3 minutos.

Categoría	Alimento	Cantidad	Instrucciones
1	Home Dessert (Postre casero)	3	Sponge Cake (Bizcochuelo)
			1 porción
		4	Brownie
		1 porción	<p>Ingredientes 90 g de harina, ½ taza de mantequilla (derretida), 230 g de azúcar, 2 huevos, 40 g de cacao en polvo.</p> <ol style="list-style-type: none"> Mezclar la mantequilla, los huevos batidos y el azúcar en un recipiente. Agregar la harina y el cacao en polvo y seguir revolviendo. Verter la mezcla en un recipiente de plástico o vidrio engrasado. Colocar el recipiente en el horno microondas y seleccionar la opción Brownie debajo de Home Dessert (Postre casero). Después de cocinar, dejar reposar entre 20 y 30 minutos.

Uso del horno microondas

Categoría		Alimento		Cantidad	Instrucciones
1	Home Dessert (Postre casero)	5	Egg Pudding (Flan)	1 porción (3 piezas)	Ingredientes 250 g de leche, 40 g de azúcar, 2 huevos.
				<ol style="list-style-type: none"> Romper los dos huevos en un recipiente. Batir ligeramente el huevo con un batidor de globo. No dejar que la punta del batidor salga de la parte inferior del recipiente para evitar que se forme demasiada espuma. Mezclar la leche y el azúcar en otro recipiente. Agregar la leche a los huevos batidos mientras se bate la mezcla. Tamizar la mezcla de huevos con un colador de malla fina. Raspar la parte inferior del colador con una espátula. Retirar cualquier espuma de la superficie con una cuchara. Verter la mezcla en recipientes para flan. Colocar los recipientes en el horno microondas y seleccionar la opción Egg Pudding (Flan) debajo de Home Dessert (Postre casero). Después de cocinar, refrigerar y servir. 	

Categoría		Alimento		Cantidad	Instrucciones
1	Home Dessert (Postre casero)	6	Chocolate Mug Cake (Pastel en taza)	1 porción	Ingredientes 30 g de mantequilla, 60 g de azúcar, 1 huevo, 40 g de crema espesa, 25 g de harina, 15 g de cacao en polvo, 1.5 g de vainilla, 50 g de pepitas de chocolate semiamargo.
				<ol style="list-style-type: none"> Mezclar la mantequilla, el huevo y la crema en una taza hasta que estén bien combinados. Agregar la harina, el azúcar y seguir revolviendo. Agregar el cacao, la vainilla y revolver hasta que se mezclen. Incorporar las pepitas de chocolate. Colocar la taza en el horno microondas y seleccionar la opción Chocolate Mug Cake (Pastel en taza de chocolate) debajo de Home Dessert (Postre casero). Después de cocinar, dejar reposar entre 2 y 3 minutos. 	

Categoría	Alimento	Cantidad	Instrucciones
1	Home Dessert (Postre casero)	7	Mug Cake (Pastel en taza)
			1 porción
		8	Caffe Latte (Café latte)
		1 porción	<p>Ingredientes 2 g de café instantáneo en polvo, 50 g de agua, 125 g de leche.</p> <ol style="list-style-type: none"> Mezclar el café en polvo y el agua en una taza. Verter leche en otra taza. Colocar la mezcla de café en el horno microondas y seleccionar la opción Caffe Latte (Café latte) debajo de Home Dessert (Postre casero). Cuando el microondas emita una señal sonora, retirar la taza. Coloque la leche en el horno microondas y presione el botón Start (Inicio). Después de cocinar, mezclar bien y servir.

Categoría	Alimento	Cantidad	Instrucciones
1	Home Dessert (Postre casero)	9	Green Tea Latte (Té verde latte)
			1 porción
		10	Milk Tea (Té con leche)
		1 porción	<p>Ingredientes 2 saquitos de té negro, 60 g de agua, 125 g de leche</p> <ol style="list-style-type: none"> Mezclar los saquitos de té negro y el agua en una taza. Verter leche en otra taza. Colocar la mezcla de té en el horno microondas y seleccionar la opción Milk Tea (Té con leche) debajo de Home Dessert (Postre casero). Cuando el microondas emita una señal sonora, retirar la taza. Coloque la leche en el horno microondas y presione el botón Start (Inicio). Después de cocinar, mezclar bien y servir.

Uso del horno microondas

Categoría	Alimento	Cantidad	Instrucciones	
2	Espinaca	1 1 porción	Lavar y limpiar la espinaca. Colocar la espinaca en el bol apto para microondas. Agregar de 1 a 4 cucharadas de agua (1 cucharada por porción). Cubrir durante la cocción y remover después.	
		2 2 porciones		
		3 3 porciones		
		4 4 porciones		
	Calabaza	1 De 1 a 2 lb	Rebanar la calabaza por la mitad y quitar las semillas. Colocar la calabaza cortada hacia abajo en un recipiente apto para microondas y cubrir con un envoltorio plástico. Si es necesario, agregar ¼ taza de agua.	
		2 De 2 a 3 lb		
	Arroz integral	1 1 porción	Colocar 0.5 tazas de arroz integral + 1 taza de agua para 2 porciones o 1 taza de arroz integral + 2 tazas de agua para 4 porciones en un recipiente apto para microondas. Revolver bien antes y remover con un tenedor después. Dejar reposar 5 minutos antes de servir.	
		2 2 porciones		
	Avena	1 1 paquete	Seguir las indicaciones del paquete para la cantidad recomendada de agua necesaria. Remover bien antes y después.	
		2 2 paquetes		
	Quinua	3 1 porción	Seguir las indicaciones del paquete para la cantidad recomendada de agua necesaria. Cuando el horno emita una señal sonora, mezclar bien y reiniciar el microondas.	
		4 2 porciones		
	Fit Choice (Ajustar elección)			

Categoría	Alimento	Cantidad	Instrucciones
2	Trozos de pollo con hueso	1 2 porciones	Untar las presas de pollo con aceite y condimentos. Colocar las presas de pollo en el plato con porciones con mayor cantidad de carne hacia el borde exterior del plato y, luego, cubrir con papel encerado. Colocar el plato en el centro del plato giratorio.
		2 4 porciones	
	Filetes de pescado fresco	1 1 porción	Colocar los filetes (bacalao, abadejo, etc.) en un plato y, luego, cubrir con un envoltorio plástico. Colocar el plato en el centro del plato giratorio.
		2 2 porciones	
	Filetes de salmón fresco	1 1 porción	Colocar los filetes de salmón en un plato y, luego, cubrir con un envoltorio plástico. Colocar el plato en el centro del plato giratorio.
		2 2 porciones	
	Langostinos frescos	1 2 porciones	Colocar los langostinos en un plato y, luego, cubrir con un envoltorio plástico. Colocar el plato en el centro del plato giratorio.
		2 4 porciones	
	3	Nuggets de pollo (congelados)	1 1 porción
2 2 porciones			
Kids Meal (Comida para niños)			

Categoría	Alimento	Cantidad	Instrucciones
3	Papas fritas (congeladas)	1 1 porción	Colocar dos toallas de papel en un plato apto para microondas y colocar las papas fritas en las toallas sin que se superpongan. Secar las papas fritas con toallas de papel adicionales después de retirarlas del horno. Dejar reposar durante un minuto. NOTA Consultar las instrucciones del envase para conocer el tamaño de la porción y la cantidad de alimento.
		2 2 porciones	
	Emparedados congelados (en un envoltorio especial para microondas) tamaño de paquete de 9 oz	1 emparedado	Colocar el emparedado congelado en un envoltorio especial para microondas (que está en el paquete) y colocarlo en un plato apto para microondas. Retirar del envoltorio especial para microondas. Dejar reposar durante 2 minutos después de calentar.
		2 emparedados	
	Perros calientes	1 2 perros calientes	Pinchar los perros calientes y colocarlos en un plato. Cuando el horno emita una señal sonora, agregar los panecillos y reiniciar el horno. Dejar reposar durante un minuto después de calentar. NOTA Para una mejor textura, los panecillos se deben agregar a los perros calientes después de que el horno emita una señal sonora.
		2 4 perros calientes	

Categoría	Alimento	Cantidad	Instrucciones
4	Bastones de queso (congelados)	1 De 5 a 6 piezas (1 porción)	Colocar los bastones de queso en un plato al estilo de los rayos de una rueda. No cubrir. Dejar reposar durante 1 a 2 minutos después de calentar.
		2 De 7 a 10 piezas (2 porciones)	
4	Alas de pollo	1 De 5 a 6 oz (2 porciones)	Utilizar alas de pollo precocidas y refrigeradas. Colocar las alas de pollo alrededor del plato al estilo de los rayos de una rueda y cubrirlas con papel encerado. Dejar reposar entre 1 y 2 minutos.
		2 De 7 a 8 oz (4 porciones)	
	Nachos	1 1 porción	Colocar los nachos en un plato sin que se superpongan. Espolvorear el queso de manera uniforme sobre ellos. Contenido: 2 tazas de chips de tortilla y ½ taza de queso rallado
		Cáscaras de papa	1 1 papa cocida
2 2 papas cocidas			

Uso del horno microondas

Categoría	Alimento	Cantidad	Instrucciones
5	Derretir mantequilla	1 1 barra	Quitar el envoltorio y cortar la mantequilla por la mitad en forma vertical.
		2 2 barras	Colocar la mantequilla en un recipiente y cubrir con papel encerado.
	Derretir chocolate	1 1 taza de pepitas o 1 cuadrado de chocolate	Revolver bien después de finalizar y dejar reposar de 1 a 2 minutos.
		1 1 taza de pepitas o 1 cuadrado de chocolate	Colocar los cuadrados o las pepitas de chocolate en un recipiente apto para microondas. Cuando el horno emita una señal sonora, revolver el chocolate y reiniciar el horno.
Ablandar mantequilla	1 1 barra (¼ lb)	Revolver y dejar reposar durante 1 minuto.	
Ablandar queso crema	1 1 paquete (8 oz)	Quitar el envoltorio y cortar la mantequilla a la mitad en forma vertical. Colocar la mantequilla en el recipiente, cubrir con papel encerado.	
			Desenvolver el queso crema y colocar en un recipiente apto para microondas. Cortar por la mitad en forma vertical. Dejar reposar durante 2 minutos.

Keep Warm (Mantener caliente)

Puede mantener calientes los alimentos cocinados en el horno microondas hasta 99 minutos y 99 segundos.



1. Presione el botón **Keep Warm (Mantener caliente)**.
2. Ingrese el tiempo de mantenimiento con los botones **numéricos**. Si no establece un tiempo, el horno mantendrá la función de mantener caliente durante 99 minutos y 99 segundos.
3. Toque el botón **Start (Inicio)**.

NOTA

- **Keep Warm (Mantener caliente)** funciona hasta 99 minutos y 99 segundos.
- El ventilador protege el horno microondas contra los excesos de calor. Se enciende automáticamente si detecta un recalentamiento. Si fue usted quien encendió el ventilador, quizás note que no puede apagarlo. El ventilador se apagará automáticamente cuando las partes internas estén frías.
- El alimento que se ha cocido cubierto se debe también cubrir durante la función **Keep Warm (Mantener caliente)**.
- La masa (pasteles, empanadillas, etc.) no se debe cubrir durante **Keep Warm (Mantener caliente)**.
- Para mantener calientes los platos completos se pueden cubrir durante **Keep Warm (Mantener caliente)**.

A continuación, se muestran las cantidades de alimentos que recomendamos cuando se utiliza la función de mantener temperatura por tipo de alimento.

Tipo de alimento	Cantidad recomendada
Líquidos	De 1 a 2 tazas
Secado	De 5 a 10 oz

Guía de utensilios de cocina

Para cocinar alimentos en el horno microondas, este debe poder penetrar los alimentos sin que los utensilios que contienen la comida los reflejen o absorban. En consecuencia, es importante elegir utensilios de cocina que permitan que las microondas penetren los alimentos y sean aptos para microondas. Las siguientes listas contienen varios tipos de utensilios de cocina e indican si se pueden usar en un horno microondas y cómo se deben usar.

Utensilios de cocina recomendados

- **Recipientes y platos de vidrio y vitrocerámica:** úselos para calentar o cocinar.
- **Envoltorio plástico apto para microondas:** se utiliza para cubrir los alimentos. Deje una pequeña abertura para que salga vapor y evite colocarlo directamente sobre los alimentos.
- **Papel encerado:** úselo como una cubierta para evitar salpicaduras.
- **Toallas de papel y servilletas:** úselas para calentar y cubrir a corto plazo. Absorben el exceso de humedad y evitan salpicaduras. No utilice toallas de papel recicladas que puedan contener metal y provocar incendios.
- **Placas y vasos de papel:** úselos para calentar a corto plazo a bajas temperaturas. No utilice papel reciclado que pueda contener metal y provocar incendios.
- **Termómetros:** use solo aquellos etiquetados como “Aptos para microondas” y siga todas las instrucciones. Revise los alimentos en varios lugares. Se pueden utilizar termómetros convencionales una vez que los alimentos se hayan retirado del horno.

Artículos de uso limitado

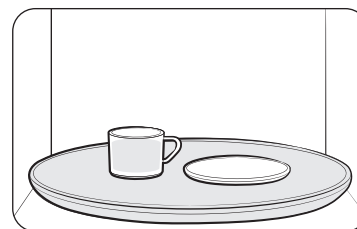
- **Papel de aluminio:** use bandas estrechas de papel para evitar la sobrecoCCIÓN de las áreas expuestas. Usar demasiado papel de aluminio puede dañar el horno, así que tenga cuidado.
- **Cerámica, porcelana y gres:** úselos si están etiquetados como “Apto para microondas”. Si no están etiquetados, pruébelos para asegurarse de que se puedan utilizar de forma segura. Nunca utilice platos con adornos metálicos.
- **Plástico:** úselo solo si está etiquetado como “Apto para microondas”. Otros plásticos se pueden derretir.
- **Paja, mimbre y madera:** úselos solo para calentar a corto plazo, ya que son inflamables.

No recomendado

- **Frascos y frascos de vidrio:** el vidrio común es demasiado delgado para usarse en un microondas y puede romperse.
- **Bolsas de papel:** son un peligro de incendio, excepto las bolsas de palomitas de maíz diseñadas para usarse en microondas.
- **Placas y vasos de poliestireno:** estos pueden derretirse y dejar residuos perjudiciales en los alimentos.
- **Almacenamiento de plástico y recipientes para alimentos:** los recipientes, como los potes de margarina, pueden derretirse en el microondas.

Prueba de los utensilios

Si no está seguro de si un plato es apto para microondas o no, puede realizar esta prueba:



1. Llene una taza de vidrio para medir con agua y colóquela dentro del horno, junto al plato que desea probar.
2. Configure 1 minuto en el microondas con los botones **numéricos** y, luego, presione el botón **Start (Inicio)**. Así se calentará el vidrio y el plato durante un minuto a potencia alta.

Cuando el microondas se detiene, el agua debe estar tibia y el plato que está probando debe estar frío.

Si el plato está tibio, entonces absorbe energía de microondas y no puede usarse en el microondas.

Guía de cocción

La energía de microondas realmente penetra los alimentos y es atraída por las moléculas de agua, grasa y azúcar de los alimentos y estas la absorben. Las microondas hacen que las moléculas de los alimentos se muevan rápidamente. El rápido movimiento de estas moléculas crea fricción y el calor resultante cocina los alimentos.

Técnicas de cocción

Revolver

Revuelva alimentos como guisos y verduras mientras cocina para distribuir el calor de manera uniforme. Los alimentos en el exterior del plato absorben más energía y se calientan más rápidamente, así que revuelva desde el exterior hasta el centro. El horno se apagará cuando abra la puerta para revolver los alimentos.

Distribuir

Distribuya los alimentos con forma desigual, como presas de pollo o chuletas, con las partes más gruesas y con mayor cantidad de carne hacia el exterior del plato giratorio, donde recibirán más energía de microondas. Para evitar la sobrecocción, coloque piezas finas o delicadas hacia el centro del plato giratorio.

Proteger

Proteja los alimentos con tiras estrechas de papel de aluminio para evitar la sobrecocción. Las áreas que necesitan protección incluyen las puntas de las alas de las aves, los extremos de las patas de las aves y las esquinas de los platos cuadrados para hornear. Utilice solamente pequeñas cantidades de papel de aluminio. Si utiliza grandes cantidades, se puede dañar el horno.

Girar

Gire los alimentos a mitad de la cocción para exponer todas las piezas a la energía de microondas. Esto es especialmente importante con alimentos grandes, como carnes asadas.

Dejar reposar

Los alimentos cocinados en el microondas acumulan calor interno y siguen cocinándose durante unos minutos después de que el horno se detiene. Deje reposar la comida para completar la cocción, especialmente en los alimentos como carnes asadas y verduras enteras. Las carnes asadas necesitan este tiempo para completar la cocción en el centro sin cocinar en exceso las áreas exteriores. Todos los líquidos, como la sopa o el chocolate caliente, se deben agitar o revolver cuando se completa la cocción. Deje que los líquidos reposen un momento antes de servir. Cuando calienta comida para bebés, revuelva bien y pruebe la temperatura antes de servir.

Agregar humedad

La energía de microondas es atraída por las moléculas de agua. Los alimentos que tengan una humedad desigual deben estar cubiertos o dejarse reposar para que el calor se disperse de manera uniforme. Agregue una pequeña cantidad de agua a los alimentos secos para ayudar en la cocción.

Ventilar

Después de cubrir un plato con un envoltorio plástico, debe dejar que se ventile el envoltorio plástico girando una esquina hacia atrás para que el exceso de vapor pueda salir.

Recomendaciones generales de cocción

- Los alimentos densos, como las papas, tardan más en calentarse que los alimentos más livianos. Los alimentos con una textura delicada deben calentarse a un bajo nivel de potencia para evitar que se vuelvan duros.
- La altitud y el tipo de utensilios de cocina que está usando pueden afectar el tiempo de cocción. Cuando pruebe una nueva receta, utilice el tiempo mínimo de cocción y compruebe los alimentos ocasionalmente para evitar la cocción en exceso.
- Los alimentos con una cáscara no porosa, como las papas o los perros calientes, deben perforarse para evitar que exploten.
- No se recomienda freír con aceite o grasa. La grasa y el aceite pueden hervir repentinamente y causar quemaduras graves.
- Algunos ingredientes se calientan más rápido que otros. Por ejemplo, la mermelada dentro de una dona con mermelada estará más caliente que la masa. Tenga en cuenta esto para evitar quemaduras.
- No se recomienda realizar el envasado en el horno microondas, ya que el proceso de calentamiento del microondas puede no destruir todas las bacterias nocivas.
- Aunque las microondas no calientan los utensilios de cocina, el calor de los alimentos a menudo se transfiere a ellos. Siempre utilice agarradores aislantes cuando retire alimentos del microondas e indique a los niños que hagan lo mismo.
- No se recomienda preparar dulces en el microondas, ya que los dulces pueden calentarse a temperaturas muy altas. Tenga esto en cuenta para evitar lesiones.

Guía para cocinar huevos en el microondas

- Nunca cocine los huevos ni los caliente con la cáscara. Pueden explotar.
- Siempre perfora los huevos enteros para evitar que exploten.
- Cocine los huevos justo hasta que cuajen. Se vuelven duros si se cocinan en exceso.

Guía para cocinar verduras en el microondas

- Las verduras deben lavarse justo antes de cocinarlas. A menudo, no se necesita agua adicional. Si está cocinando verduras densas, como papas en cubos, zanahorias o frijoles verdes, agregue aproximadamente $\frac{1}{4}$ de taza de agua.
- Las verduras pequeñas (zanahorias en rodajas, guisantes, frijoles anchos, etc.) se cocinarán más rápido que las más grandes.
- Las verduras enteras, como las papas, la calabaza bellota o la mazorca de maíz, deben colocarse en un círculo en el plato giratorio antes de cocinarlas. Se cocinarán más uniformemente si se giran después de la mitad del tiempo de cocción.
- Coloque siempre las verduras como el espárrago y el brócoli con los extremos del tallo apuntando hacia el borde del plato y las puntas hacia el centro.
- Cuando cocine verduras cortadas, siempre cubra el plato con una tapa o un envoltorio de plástico con ventilación apto para microondas.
- Las verduras enteras sin pelar, tales como las papas, la calabaza, la berenjena, etc., deben pincharse en varios lugares antes de cocinarlas para evitar que exploten.
- Para una cocción más uniforme, revuelva o vuelva a distribuir las verduras enteras en la mitad del tiempo de cocción.
- En general, cuanto más densa sea la comida, más tiempo tendrá que dejarse reposar. (El tiempo de reposo hace referencia al tiempo necesario para que los alimentos y verduras grandes y densos finalicen la cocción después de salir del horno). Una papa horneada puede dejarse reposar sobre la encimera durante cinco minutos antes de que se complete la cocción, mientras que un plato de guisantes se puede servir inmediatamente.

Limpeza y mantenimiento del horno microondas

Mantener el horno microondas limpio mejora su rendimiento, evita reparaciones innecesarias y prolonga su vida útil.

Limpeza del exterior

Es mejor limpiar derrames en el exterior del horno microondas a medida que se producen. Utilice un paño suave y agua tibia y jabonosa. Enjuague y seque.

PRECAUCIÓN

Evite que entre agua en las ventilaciones. Nunca utilice productos abrasivos o solventes químicos, como amoníaco o alcohol, ya que pueden dañar la apariencia del microondas.

ADVERTENCIA

Desconecte el enchufe del microondas antes de limpiarlo.

Limpeza debajo del horno microondas

Limpie regularmente la grasa y el polvo de la parte inferior del microondas con una solución de agua tibia y detergente.

Limpeza del panel de control

Limpie con un paño mojado y seque el área por completo. No utilice aerosoles de limpieza, grandes cantidades de agua y jabón, abrasivos u objetos afilados en el panel, ya que se puede dañar fácilmente.

Limpeza de la puerta y los sellos de la puerta

Asegúrese siempre de que los sellos de la puerta estén limpios y que la puerta se cierre correctamente. Tenga especial cuidado al limpiar los sellos de las puertas para asegurarse de que no se acumulen partículas que provoquen que la puerta no se cierre correctamente. Limpie la puerta de vidrio con agua y jabón muy suave. Asegúrese de utilizar un paño suave para evitar que se raye.

NOTA

Si se acumula vapor dentro o fuera de la puerta del horno, limpie con un paño suave. El vapor se puede acumular al utilizar el horno cuando la humedad es alta y de ninguna manera indica fugas en el microondas.

Limpeza del interior

PRECAUCIÓN

Para evitar lesiones, asegúrese de que el horno microondas se haya enfriado antes de limpiarlo.

PRECAUCIÓN

Retire la bandeja de vidrio del horno cuando limpie el horno o la bandeja. Para evitar que la bandeja se rompa, manipule con cuidado y no la coloque en agua inmediatamente después de cocinar. Lave la bandeja cuidadosamente con agua tibia y jabonosa o en el lavavajillas.

Limpeza del plato giratorio y los anillos giratorios

Limpie los anillos giratorios periódicamente y lave el plato giratorio según sea necesario. El plato giratorio se puede lavar con seguridad en el lavavajillas.

Almacenamiento y reparación del horno microondas

Si necesita almacenar el horno microondas durante un período corto o prolongado, elija un lugar seco y libre de polvo. El polvo y la humedad pueden afectar negativamente la funcionalidad de las piezas del microondas.

⚠ ADVERTENCIA

No repare, reemplace ni realice el mantenimiento de ninguna parte del horno microondas por sí mismo. Permita que solo un técnico de servicio calificado realice reparaciones. Si el horno está defectuoso y necesita mantenimiento, o tiene dudas sobre su estado, desenchufe el horno del tomacorriente y comuníquese con el centro de servicios más cercano.

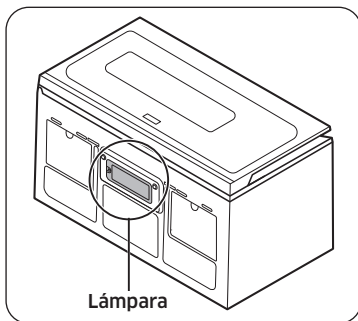
No utilice el horno si está dañado, en particular, si la puerta o los sellos de la puerta están dañados o si la puerta no se cierra correctamente. Esto puede deberse a una bisagra rota, un sello desgastado o una carcasa deformada o doblada.

No retire el horno de su carcasa.

Este horno microondas es solo para uso doméstico y no está diseñado para uso comercial.

Reemplazo de la luz de la cubierta o la luz nocturna

Cuando reemplace la luz de la cubierta o la luz nocturna, asegúrese de usar guantes para evitar lesiones por el calor de la lámpara.



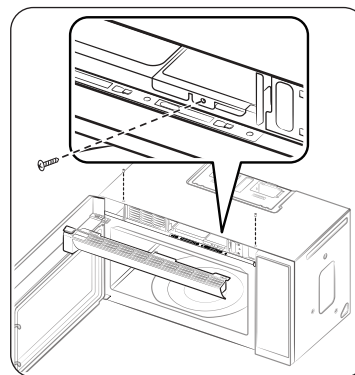
1. Desenchufe el horno o corte la electricidad de la fuente de alimentación principal.
2. Retire el tornillo de la tapa de la luz y bájela.
3. Desconecte los conectores del cable.
4. Retire el tornillo que sujeta la placa de la lámpara LED.
5. Reemplace la placa de la lámpara LED.

📄 NOTA

Para comprar una nueva placa de la lámpara LED, visite un centro de servicios autorizado de Samsung o llame al 1-800-SAMSUNG (726-7864).

Reemplazo de la luz del horno

Cuando reemplace la luz del horno, asegúrese de usar guantes para evitar lesiones por el calor de la lámpara.



1. Desenchufe el horno o corte la electricidad de la fuente de alimentación principal.
2. Abra la puerta.
3. Retire los tornillos de montaje de la cubierta de ventilación (2 tornillos del medio).
4. Corra la rejilla de ventilación hacia la izquierda y retírela directamente.
5. Retire el filtro de carbón, si lo hubiere.
6. Retire el tornillo que sujeta la cubierta de la lámpara.
7. Retire el foco tirando hacia afuera suavemente.
8. Reemplace la bombilla por una lámpara halógena de 50 vatios.
9. Vuelva a colocar el portabombilla.
10. Vuelva a colocar la tapa de la ventilación y los 2 tornillos.
11. Enchufe el horno o encienda la electricidad de la fuente de alimentación principal. Reajuste el reloj.

Limpeza y mantenimiento del horno microondas

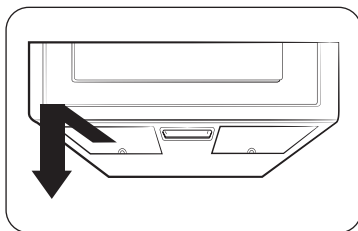
Limpeza del filtro de grasa

El horno microondas tiene un filtro de grasa reutilizable. El filtro de grasa se debe quitar y limpiar al menos una vez al mes o según sea necesario.

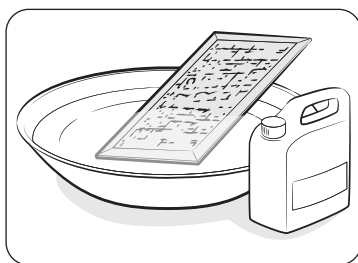
Para solicitar un nuevo filtro de grasa, comuníquese con el Departamento de piezas de Samsung al 1-800-627-4368 o con su distribuidor Samsung más cercano. También puede solicitar en línea en www.samsungparts.com.

⚠ ADVERTENCIA

Para evitar el riesgo de lesiones personales o daños materiales, no utilice la campana del horno sin el filtro en su lugar.



1. Para quitar el filtro, deslícelo hacia la izquierda (o hacia la derecha) con la traba.



2. Remoje el filtro de grasa en agua caliente y un jabón suave. Enjuáguelo bien y sacúdalo hasta que se seque. Cepillar el filtro ligeramente puede quitar la suciedad incrustada.

⚠ ADVERTENCIA

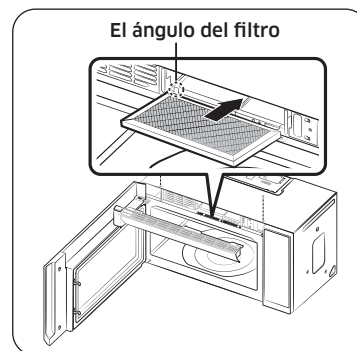
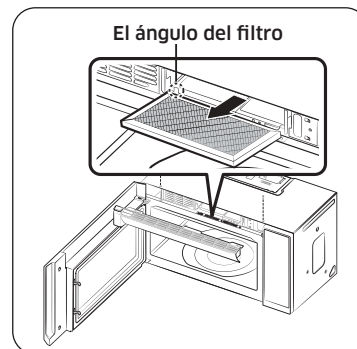
No utilice amoníaco ni coloque el filtro de grasa dentro del horno microondas. El aluminio se oscurecerá.

3. Para volver a instalar el filtro, deslícelo en la ranura del marco a la izquierda (o a la derecha) y, luego, empújelo hacia arriba y hacia la derecha (o a la izquierda) para trabarlo.

Reemplazo del filtro de carbón

Si su horno tiene ventilación hacia el interior, el filtro de carbón debe reemplazarse entre

6 y 12 meses, y más a menudo si es necesario. El filtro de carbón no puede limpiarse. Para solicitar un nuevo filtro de carbón, comuníquese con el Departamento de piezas de Samsung en el 1-800-627-4368 o el distribuidor Samsung más cercano. También puede solicitar en línea en www.samsungparts.com



1. Desenchufe el horno o corte la electricidad de la fuente de alimentación principal.
2. Abra la puerta.
3. Retire los tornillos montaje de la rejilla de ventilación.
4. Corra la rejilla de ventilación hacia la izquierda y retírela directamente.
5. Oprima el gancho y extraiga el filtro viejo.
6. Inserte un nuevo filtro de carbón en su lugar. El filtro debe quedar instalado en el ángulo que se muestra.
7. Vuelva a colocar la rejilla de ventilación y los 2 tornillos y cierre la puerta. Enchufe el horno o encienda la electricidad de la fuente de alimentación principal. Reajuste el reloj.

Solución de problemas

Puntos de verificación

Si nota un problema con el horno, primero consulte las tablas que se muestran a continuación e intente las recomendaciones. Si el problema persiste o si un código de información continúa apareciendo en la pantalla, comuníquese con un centro de servicios local de Samsung.

Problema	Causa	Acción
Generalidades		
Los botones no se pueden presionar adecuadamente.	Es posible que haya sustancias extrañas entre los botones.	Retire las sustancias extrañas y vuelva a intentarlo.
	Para modelos táctiles: Hay humedad en el exterior.	Limpie la humedad del exterior.
	El seguro para niños está activado.	Desactive el seguro para niños.
No se muestra la hora.	Sin suministro eléctrico.	Asegúrese de que haya corriente. Confirme que el microondas esté enchufado. Revise los fusibles o los disyuntores.
	La función Eco (ahorro de energía) está configurada.	Desactive la función Eco.
El horno no funciona.	Sin suministro eléctrico.	Asegúrese de que haya corriente. Confirme que el microondas esté enchufado. Revise los fusibles o los disyuntores.
	La puerta está abierta.	Cierre la puerta y vuelva a intentarlo.
	Los mecanismos de seguridad de apertura de la puerta están cubiertos por materias extrañas.	Retire las sustancias extrañas y vuelva a intentarlo.

Problema	Causa	Acción
El horno se para mientras está en funcionamiento.	El usuario ha abierto la puerta para voltear la comida.	Después de girar el alimento, toque el botón (Start) Inicio de nuevo para iniciar la operación.
Se apaga durante el funcionamiento.	El horno ha estado cocinando durante un largo periodo de tiempo.	Después de una cocción prolongada en el horno, déjelo enfriar.
	El ventilador de refrigeración no funciona.	Escuche el sonido del ventilador de refrigeración.
	Intente hacer funcionar el horno sin comida dentro.	Ponga comida en el horno.
	No hay suficiente espacio de ventilación alrededor del horno.	En la parte delantera y trasera del horno hay salidas de aire para la ventilación. Revise la guía de instalación y asegúrese de que el microondas esté lo suficientemente lejos de las paredes y los gabinetes para una ventilación adecuada.
No hay energía en el horno.	Varios aparatos o dispositivos están conectados al mismo tomacorriente.	Desconecte todos los demás aparatos o dispositivos del tomacorriente.
	Sin suministro eléctrico.	Asegúrese de que haya corriente. Confirme que el microondas esté enchufado. Revise los fusibles o los disyuntores.

Solución de problemas

Problema	Causa	Acción
Se oye un chasquido durante el funcionamiento y el horno no funciona.	Cocinar los alimentos en un recipiente sellado o usar un recipiente con una tapa hermética.	No cocine los alimentos en recipientes sellados ni en recipientes con tapas herméticas. El vapor en expansión de los alimentos cocinados puede hacer que los recipientes estallen o que las tapas salgan disparadas.
El exterior del horno se calienta demasiado durante el funcionamiento.	No hay suficiente espacio de ventilación alrededor del horno.	En la parte delantera y trasera del horno hay salidas de aire para la ventilación. Revise la guía de instalación y asegúrese de que el microondas esté lo suficientemente lejos de las paredes y los gabinetes para una ventilación adecuada.
	Hay objetos encima del horno.	Retire todos los objetos de la parte superior del horno.
La puerta no se puede abrir correctamente.	Hay restos de comida pegados entre la puerta y el interior del horno.	Limpie la puerta del horno.
El horno no calienta.	Puede que el horno no funcione si se están cocinando demasiados alimentos o si se están utilizando utensilios de cocina inadecuados.	Para probar el horno, ponga una taza de agua en un recipiente apto para microondas, coloque el recipiente en el horno y, luego, póngalo en marcha entre 1 y 2 minutos para comprobar si el agua se calienta. Si el agua se calentó, reduzca la cantidad de comida e inicie de nuevo la función. Utilice un recipiente de cocina con fondo plano.

Problema	Causa	Acción
El calentamiento es débil o lento.	Puede que el horno no funcione si se están cocinando demasiados alimentos o si se están utilizando utensilios de cocina inadecuados.	Para probar el horno, ponga una taza de agua en un recipiente apto para microondas, coloque el recipiente en el horno y, luego, póngalo en marcha entre 1 y 2 minutos para comprobar si el agua se calienta. Si el agua se calentó, reduzca la cantidad de comida e inicie de nuevo la función. Utilice un recipiente de cocina con fondo plano.
La función de calentamiento no funciona.	Puede que el horno no funcione si se están calentando demasiados alimentos o si se están utilizando utensilios de cocina inadecuados.	Para probar el horno, ponga una taza de agua en un recipiente apto para microondas, coloque el recipiente en el horno y, luego, póngalo en marcha entre 1 y 2 minutos para comprobar si el agua se calienta. Si el agua se calentó, reduzca la cantidad de comida e inicie de nuevo la función. Utilice un recipiente de cocina con fondo plano.

Problema	Causa	Acción
La función de descongelamiento no funciona.	Puede que el horno no funcione si se están descongelando demasiados alimentos o si se están utilizando utensilios de cocina inadecuados.	Para probar el horno, ponga una taza de agua en un recipiente apto para microondas, coloque el recipiente en el horno y, luego, póngalo en marcha entre 1 y 2 minutos para comprobar si el agua se calienta. Si el agua se calentó, reduzca la cantidad de comida e inicie de nuevo la función. Utilice un recipiente de cocina con fondo plano.
La luz interior es tenue o no se enciende.	La puerta lleva mucho tiempo abierta.	La luz interior se puede apagar automáticamente cuando está activa la función Eco. Cierre y vuelva a abrir la puerta o presione el botón Stop (Detener) .
	La luz interior está cubierta por cuerpos extraños.	Limpie el interior del horno y vuelva a comprobarlo.
Se oye un pitido durante la cocción.	Si se está usando el modo Cocción automática, el pitido significa que es momento de girar el alimento.	Después de girar el alimento, toque el botón (Start) Inicio de nuevo para reiniciar la operación.
El horno no está a nivel.	El horno está instalado en una superficie despareja.	Asegúrese de que el horno se instale sobre una superficie plana y estable.
Se ven chispas durante la cocción.	Los recipientes de metal se utilizan durante la cocción o el descongelamiento.	No utilice recipientes metálicos.
Cuando se conecta la alimentación, el horno empieza a funcionar inmediatamente.	La puerta no está cerrada correctamente.	Cierre la puerta y vuelva a comprobarlo.

Problema	Causa	Acción
Hay electricidad procedente del horno.	La fuente de energía o el tomacorrientes no están correctamente conectados a tierra.	Asegúrese de que la fuente de energía y el tomacorrientes estén correctamente conectados a tierra.
Está goteando agua.	El agua o el vapor se pueden generar mediante el proceso de cocción o descongelamiento, dependiendo de los alimentos. No se trata de una falla del horno.	Deje que el horno se enfríe y luego limpie con un paño de cocina seco.
Sale vapor a través de una grieta en la puerta.	El agua o el vapor se pueden generar mediante el proceso de cocción o descongelamiento, dependiendo de los alimentos. No se trata de una falla del horno.	Deje que el horno se enfríe y luego limpie con un paño de cocina seco.
Queda agua en el horno.	El agua o el vapor se pueden generar mediante el proceso de cocción o descongelamiento, dependiendo de los alimentos. No se trata de una falla del horno.	Deje que el horno se enfríe y luego limpie con un paño de cocina seco.
La luminosidad en el interior del horno varía.	Los cambios en el brillo reflejan los cambios en la salida de potencia. La salida de potencia cambia según las funciones en uso.	Los cambios de potencia durante la cocción no son fallas.
La cocción termina, pero el ventilador de refrigeración sigue funcionando.	Para ventilar el horno, el ventilador de refrigeración sigue funcionando durante unos 3 minutos una vez finalizada la cocción.	No se trata de una falla del horno.

Solución de problemas

Problema	Causa	Acción
Si presiona el botón Start (Inicio) , funciona el horno.	Esto ocurre cuando el horno no está en funcionamiento.	El horno microondas está diseñado para comenzar a funcionar cuando se presiona el botón Start (Iniciar) si no estaba funcionando.
Plato giratorio		
Al girar, el plato giratorio se sale de su sitio o deja de girar.	No está colocado el anillo giratorio, o este no está bien colocado.	Instale el anillo giratorio y, luego, vuelva a intentarlo.
El plato giratorio se traba al girar.	El anillo giratorio no está bien colocado, hay demasiada comida o el recipiente es demasiado grande y toca el interior del microondas.	Instale el anillo giratorio correctamente. Modifique la cantidad de comida. No utilice recipientes demasiado grandes.
El soporte vibra durante el giro y hace ruido.	Hay restos de comida pegados en la base del horno.	Retire los restos de comida pegados en la base del horno.

Códigos de información

Si el horno microondas no funciona, es posible que vea un código de información en la pantalla. Revise la siguiente tabla para ver el código y, luego, siga las instrucciones.

Código	Descripción	Acción
C-10	El sensor de gas está abierto.	Desenchufe el cable de alimentación y, luego, comuníquese con un centro de servicios local de Samsung.
	El sensor de gas está en cortocircuito.	
C-F0	El microondas detectó una falla de comunicación interna.	Desenchufe el cable de alimentación y, luego, comuníquese con un centro de servicios local de Samsung.
C-F1	Solo sucede cuando no está funcionando Leer o escribir EEPROM.	Desenchufe el cable de alimentación y contacte a un Centro de Atención al Cliente local de SAMSUNG.
C-F2	Un botón táctil ha fallado.	Presione el botón Stop (Detener) y, luego, vuelva a intentarlo.
C-d0	Los botones de control se tocan más de 10 segundos.	Limpie las teclas y verifique que no haya agua en la superficie alrededor de la tecla. Si vuelve a aparecer, apague el horno de microondas, déjelo reposar durante más de 30 segundos y, luego, vuelva a configurarlo. Si vuelve a aparecer este código, llame a su Centro de Atención al Cliente local de SAMSUNG.

Anexo

Especificaciones

Modelo	ME21D*6300**AA	ME21D*6300**AC
Cavidad del horno	2.1 cu ft	
Controles	10 niveles de potencia, incluido el Descongelamiento	
Temporizador	99 minutos, 99 segundos	
Fuente de alimentación	120 VCA, 60 Hz	
Consumo de energía	Microondas de 1700 W	Microondas de 1500 W
Salida de potencia del microondas	1000 W	950 W
Luz superior de cocción	Lámpara LED (2 c/u)	
Luz del horno	Lámpara halógena de 50 vatios	
Dimensiones de la cavidad del horno (pulgadas)	22 1/8" (ancho) x 10 13/16" (altura) x 14 7/8" (profundidad)	
Dimensiones exteriores (pulgadas)	29 7/8" (ancho) x 17 1/16" (altura) x 16 1/2" (profundidad)	
Dimensiones de envío (pulgadas)	33 3/8" (ancho) x 20 13/16" (altura) x 19 3/8" (profundidad)	
Peso neto/de envío	58.0 lb /64.6 lb (26.3 kg/29.3 kg)	

Garantía (EE. UU.)

HORNO MICROONDAS SAMSUNG

GARANTÍA LIMITADA PARA EL COMPRADOR ORIGINAL CON PRUEBA DE COMPRA

Este es un producto de la marca SAMSUNG, proporcionado y distribuido por SAMSUNG ELECTRONICS AMERICA, INC. (SAMSUNG) y se entrega nuevo, en la caja original al comprador original, tiene una garantía de SAMSUNG contra defectos de fabricación en materiales o mano de obra durante el período de garantía limitada, a partir de la fecha de entrega al comprador original, de:

Un (1) año para piezas y mano de obra

Diez (10) años para la pieza magnetrón (solo la pieza)

Esta garantía limitada es válida solo en productos comprados y utilizados en los Estados Unidos que se hayan instalado, puesto en funcionamiento y mantenido de acuerdo con las instrucciones adjuntas o suministradas con el producto. Para recibir el servicio de garantía, el comprador debe comunicarse con SAMSUNG en la dirección o el número de teléfono que se indican a continuación para determinar el problema y los procedimientos de servicio. El servicio de garantía solo puede realizarse en un centro de servicio autorizado por SAMSUNG. Para recibir el servicio de garantía, se debe presentar el original de la factura de venta o el comprobante de entrega con fecha como prueba de compra a SAMSUNG o al centro de servicios autorizado de SAMSUNG.

SAMSUNG proporcionará servicio a domicilio dentro de la zona contigua a Estados Unidos durante el período de garantía sin cargo, sujeto a la disponibilidad de los centros de servicios autorizados de SAMSUNG dentro del área geográfica del cliente. Si el servicio a domicilio no está disponible, SAMSUNG puede optar, a su criterio, por proporcionar el transporte del producto hasta y desde un centro de servicio autorizado. Si el producto se encuentra en un área en la que no esté disponible el servicio de un técnico autorizado de SAMSUNG, es posible que se le cobre un cargo por el viaje o que se le pida que lleve el producto a un centro de servicio autorizado de SAMSUNG para recibir el servicio.

Para recibir el servicio a domicilio, el producto debe estar libre de obstáculos y ser accesible para el agente de servicio.

Garantía (EE. UU.)

Durante el período de garantía que corresponda, el producto se reparará o reemplazará, o se reembolsará el precio de compra, a elección exclusiva de SAMSUNG. SAMSUNG puede utilizar piezas nuevas o reacondicionadas para reparar un producto, o reemplazar el producto con uno nuevo o reacondicionado. Las piezas y los productos de reemplazo están garantizados por la parte restante de la garantía del producto original o por noventa (90) días, lo que sea mayor. Todas las piezas y productos reemplazados son propiedad de SAMSUNG y usted debe devolverlos a SAMSUNG.

Esta garantía limitada cubre los defectos de fabricación en los materiales y la mano de obra que se produzcan por el uso doméstico normal y no comercial de este producto y no cubrirá lo siguiente: los daños que se produzcan durante el envío, la entrega, la instalación y los usos para los que este producto no haya sido previsto; los daños causados por modificaciones o alteraciones no autorizadas del producto; los productos cuyos números de serie originales de fábrica hayan sido retirados, borrados, cambiados de cualquier forma o no puedan determinarse con facilidad; los daños estéticos, incluidos los arañazos, abolladuras, astilladuras y otros daños en el acabado del producto; los daños causados por el abuso, mal uso o sobrecalentamiento por exceso de cocción de la bandeja de vidrio o del plato giratorio, las plagas, los accidentes, los incendios, las inundaciones u otros desastres naturales o casos fortuitos; los daños causados por el uso de equipos, servicios públicos, servicios, piezas, suministros, accesorios, aplicaciones, instalaciones, reparaciones, cableado externo o conectores no suministrados o autorizados por SAMSUNG; los daños causados por una corriente de línea eléctrica incorrecta, el voltaje, fluctuaciones y aumentos súbitos del voltaje; los daños causados por errores en el funcionamiento y mantenimiento del producto de acuerdo con las instrucciones; la instrucción en el hogar sobre cómo usar el producto; el servicio para corregir la instalación que no esté de acuerdo con los códigos eléctricos o de plomería, o la corrección de la electricidad o la plomería del hogar (es decir, el cableado de la casa, los fusibles o las mangueras de entrada de agua); y la reducción de la potencia del magnetrón relacionada con el envejecimiento normal.

El costo de la reparación o del reemplazo en estas circunstancias excluidas será responsabilidad del cliente.

Las visitas de un servicio técnico autorizado para explicar las funciones, el mantenimiento o la instalación del producto no están cubiertas por esta garantía limitada. Comuníquese con SAMSUNG al número que se indica a continuación para obtener asistencia en cualquiera de estos temas.

Samsung cobrará una tarifa de reparación por la sustitución de un accesorio o la reparación de daños estéticos si el daño a la unidad o el daño o la pérdida del accesorio fueron causados por el cliente. Entre los artículos que cubre se incluyen:

- Puerta, asa, panel exterior o panel de control abollados, rayados o rotos.
- Bandeja, rodillo guía, acoplador, filtro o parrilla metálica rotos o perdidos.

Las piezas que SAMSUNG haya determinado que pueden ser reemplazadas por el usuario pueden ser enviadas al cliente para su instalación. A discreción de SAMSUNG, se puede enviar a un servicio técnico autorizado para que realice dicha instalación.

EXCLUSIÓN DE GARANTÍAS IMPLÍCITAS

LAS GARANTÍAS IMPLÍCITAS, INCLUIDAS LAS GARANTÍAS IMPLÍCITAS DE COMERCIABILIDAD O IDONEIDAD PARA UN FIN DETERMINADO, ESTÁN LIMITADAS A UN AÑO O AL PERÍODO MÁS CORTO QUE PERMITA LA LEY. Algunos estados no permiten limitaciones en cuanto a la duración de una garantía implícita, por lo que las limitaciones o exclusiones anteriores pueden no aplicarse en su caso. Esta garantía le otorga derechos específicos, y también puede tener otros derechos, que varían de un estado a otro.

Garantía (EE. UU.)

LIMITACIÓN DE LOS RECURSOS

SU ÚNICO Y EXCLUSIVO RECURSO ES LA REPARACIÓN DEL PRODUCTO, EL REEMPLAZO DEL MISMO O EL REEMBOLSO DEL PRECIO DE COMPRA, A ELECCIÓN DE SAMSUNG, SEGÚN LO DISPUESTO EN ESTA GARANTÍA LIMITADA. SAMSUNG NO SERÁ RESPONSABLE DE LOS DAÑOS ESPECIALES, INCIDENTALES O CONSECUENTES, INCLUIDOS, ENTRE OTROS, EL TIEMPO DE AUSENCIA DEL TRABAJO, LOS HOTELES Y/O LAS COMIDAS EN RESTAURANTES, LOS GASTOS DE REMODELACIÓN, LA PÉRDIDA DE INGRESOS O BENEFICIOS, LA IMPOSIBILIDAD DE REALIZAR AHORROS U OTROS BENEFICIOS, INDEPENDIEMENTE DE LA TEORÍA LEGAL EN LA QUE SE BASE EL RECLAMO, INCLUSO SI SAMSUNG HA SIDO ADVERTIDA DE LA POSIBILIDAD DE DICHOS DAÑOS. Algunos estados no permiten exclusiones o limitaciones en cuanto a daños incidentales o consecuentes, por lo que es posible que las limitaciones o exclusiones anteriores no se apliquen en su caso. Esta garantía le otorga derechos específicos, y también puede tener otros derechos, que varían de un estado a otro.

SAMSUNG no garantiza el funcionamiento ininterrumpido o sin errores del producto. Ninguna garantía dada por cualquier persona, firma o corporación con respecto a este producto será vinculante para SAMSUNG.

Para obtener el servicio de garantía, comuníquese con SAMSUNG mediante la siguiente información de contacto:

Samsung Electronics America, Inc.
85 Challenger Road
Ridgefield Park, NJ 07660

1-800-SAMSUNG (726-7864) y www.samsung.com/us/support

Garantía (Canadá)

Horno microondas sobremesa (otr) de Samsung

Garantía limitada al comprador original

Este es un producto de la marca SAMSUNG, proporcionado y distribuido por Samsung Electronics Canada, Inc. (SAMSUNG) y se entrega nuevo, en la caja original al comprador original, tiene una garantía de SAMSUNG contra defectos de fabricación en materiales y mano de obra durante un período de garantía limitada de:

GARANTÍA DE UN (1) AÑO PARA PIEZAS Y MANO DE OBRA, CINCO (5) AÑOS PARA MAGNETRÓN

Samsung cobrará una tarifa de reparación por la sustitución de un accesorio o la reparación de defectos estéticos si el daño a la unidad y/o el daño o la pérdida del accesorio han sido causados por el cliente. Los puntos que cubre esta estipulación incluyen:

- Puerta, asa, panel exterior o panel de control abollados, rayados o rotos.
- Bandeja, ruedas de deslizamiento, acoplador, filtro o rejilla metálica rotos o ausentes.

Las piezas sustituibles por el usuario pueden enviarse al cliente para la reparación de la unidad. En caso de ser necesario, se puede enviar a un ingeniero de servicio para que realice el mantenimiento.

Esta garantía limitada comienza en la fecha original de compra y es válida solo en productos comprados y utilizados en los Estados Unidos. Para recibir el servicio de garantía, el comprador debe comunicarse con SAMSUNG con el fin de determinar el problema y los procedimientos de servicio. El servicio de garantía solo puede realizarse en un centro de servicio autorizado por SAMSUNG. Se debe presentar el original de la factura de venta con fecha como prueba de compra a SAMSUNG o al centro de servicios autorizado de SAMSUNG. SAMSUNG reparará este producto o lo reemplazará si no lo puede reparar, a nuestro criterio y sin cargo, según lo estipulado en este documento, con piezas o productos nuevos o reacondicionados si se encuentra defectuoso durante el período de garantía limitada especificado con anterioridad. Todas las piezas y productos reemplazados pasan a ser propiedad de SAMSUNG y deben ser devueltos a SAMSUNG. Las piezas y los productos de reemplazo reciben el resto de la garantía original, o noventa (90) días, lo que sea mayor.

Garantía (CANADÁ)

Se proporcionará servicio a domicilio durante el período de garantía de la mano de obra, sujeto a la disponibilidad dentro del área contigua de los Estados Unidos. El servicio a domicilio no está disponible en todas las áreas. Para recibir el servicio a domicilio, el producto debe estar libre de obstáculos y ser accesible para el personal de servicio. Si durante el servicio a domicilio no se puede completar la reparación, puede ser necesario retirar, reparar y devolver el producto. Si el servicio a domicilio no está disponible, SAMSUNG puede optar, a nuestro criterio, por proporcionar el transporte de nuestra elección hacia un centro de servicio autorizado de SAMSUNG o desde él. En caso contrario, el transporte hasta el centro de servicio autorizado de SAMSUNG o desde él es responsabilidad del comprador.

Esta garantía limitada cubre los defectos de fabricación de los materiales y de la mano de obra que se produzcan durante el uso normal y no comercial de este producto y no se aplicará a lo siguiente, que incluye, entre otros: daños que se produzcan en el envío; la entrega o instalación; aplicaciones y usos para los que este producto no haya sido previsto; números de serie o de producto alterados; daños estéticos en el acabado exterior; accidentes, abuso, negligencia, incendio, agua, rayos o desastres naturales; el uso de productos, equipos, sistemas, servicios públicos, servicios, piezas, suministros, accesorios, aplicaciones, instalaciones, reparaciones, cableado externo o conectores no suministrados o autorizados por SAMSUNG que dañen este producto o den lugar a problemas de servicio; el voltaje incorrecto de la línea eléctrica, y fluctuaciones y aumentos súbitos del voltaje; ajustes realizados por el cliente e incumplimiento de las instrucciones de uso, limpieza, mantenimiento y ambiente que se cubren y prescriben en el libro de instrucciones; problemas causados por plagas y sobrecalentamiento o sobrecocción por parte del usuario; bandeja de vidrio o plato giratorio; reducción de la potencia del magnetrón relacionada con el envejecimiento normal. SAMSUNG no garantiza el funcionamiento ininterrumpido o sin errores del producto.

NO HAY MÁS GARANTÍAS EXPRESAS QUE LAS ENUMERADAS Y DESCRITAS CON ANTERIORIDAD, Y NINGUNA GARANTÍA, YA SEA EXPRESA O IMPLÍCITA, INCLUIDA, ENTRE OTRAS, CUALQUIER GARANTÍA IMPLÍCITA DE COMERCIABILIDAD O IDONEIDAD PARA UN FIN DETERMINADO, SE APLICARÁ DESPUÉS DE LOS PERÍODOS DE GARANTÍA EXPRESA INDICADOS ANTERIORMENTE, Y NINGUNA OTRA GARANTÍA EXPRESA O GARANTÍA DADA POR PERSONAS, EMPRESAS O CORPORACIONES CON RESPECTO A ESTE PRODUCTO SERÁ VINCULANTE PARA SAMSUNG. SAMSUNG NO SERÁ RESPONSABLE DE LA PÉRDIDA DE INGRESOS O BENEFICIOS, DE LA IMPOSIBILIDAD DE REALIZAR AHORROS U OTROS BENEFICIOS, NI DE NINGÚN OTRO DAÑO ESPECIAL, INCIDENTAL O CONSECUENTE CAUSADO POR EL USO, EL MAL USO O LA IMPOSIBILIDAD DE UTILIZAR ESTE PRODUCTO, INDEPENDIEMENTE DE LA TEORÍA LEGAL EN LA QUE SE BASE EL RECLAMO, INCLUSO SI SAMSUNG HA SIDO ADVERTIDA DE LA POSIBILIDAD DE TALES DAÑOS. LA COMPENSACIÓN DE CUALQUIER TIPO CONTRA SAMSUNG TAMPOCO PODRÁ SER MAYOR QUE EL PRECIO DE COMPRA DEL PRODUCTO VENDIDO POR SAMSUNG Y CAUSANTE DEL SUPUESTO DAÑO. SIN PERJUICIO DE LO ANTERIOR, EL COMPRADOR ASUME TODO EL RIESGO Y LA RESPONSABILIDAD POR LA PÉRDIDA, EL DAÑO O LA LESIÓN DEL COMPRADOR Y DE SUS BIENES, ASÍ COMO DE OTROS Y DE SUS BIENES, QUE DERIVEN DEL USO, EL MAL USO O LA IMPOSIBILIDAD DE UTILIZAR ESTE PRODUCTO VENDIDO POR SAMSUNG Y QUE NO HAYAN SIDO CAUSADOS DIRECTAMENTE POR LA NEGLIGENCIA DE SAMSUNG. ESTA GARANTÍA LIMITADA SE EXTENDERÁ SOLO AL COMPRADOR ORIGINAL DE ESTE PRODUCTO, ES INTRANSFERIBLE Y ESTABLECE SU RECURSO EXCLUSIVO. Algunos estados no permiten limitaciones sobre la duración de una garantía implícita o la exclusión o limitación de daños incidentales o consecuentes, por lo que las limitaciones o exclusiones anteriores pueden no aplicarse en su caso. Esta garantía le otorga derechos legales específicos, y también puede tener otros derechos, y varían según el estado.

Para obtener el servicio de garantía, comuníquese con SAMSUNG mediante la siguiente información de contacto:

1-800-SAMSUNG (726-7864) o www.samsung.com/ca/support (inglés)

www.samsung.com/ca_fr/support (Francés)

Notas



Escanee este código con su teléfono inteligente.

Escanee el código QR* o visite www.samsung.com/spsn para ver nuestros útiles videos de procedimientos y espectáculos en directo

* Requiere la instalación de un lector en su teléfono inteligente.

Tenga en cuenta que la garantía de Samsung NO cubre las llamadas al servicio técnico para explicar el funcionamiento del producto, corregir una instalación incorrecta o realizar la limpieza o el mantenimiento normales.

¿TIENE PREGUNTAS O COMENTARIOS?

PAÍS	LLAME AL	O VISÍTENOS EN LÍNEA EN
EE. UU. Consumer Electronics	1-800-SAMSUNG (726-7864)	www.samsung.com/us/support
CANADÁ	1-800-SAMSUNG (726-7864)	www.samsung.com/ca/support (Inglés) www.samsung.com/ca_fr/support (Francés)



Four à micro-ondes

Manuel d'utilisation

ME21D*6300****



SAMSUNG

Contenu

Consignes de sécurité importantes	3
Ce qu'il faut savoir sur les consignes de sécurité	3
Consignes permettant d'éviter une exposition excessive aux micro-ondes	3
Symboles et mesures de sécurité importants	3
Avertissement relatif à la proposition 65 de l'État de la Californie	6
Consignes de mise à la terre	7
Utilisation de rallonges	8
Avertissements importants relatifs à l'installation	8
Mises en garde sur l'installation	9
Avertissements importants relatifs à l'utilisation	9
Précautions d'utilisation	11
Avertissements importants relatifs au nettoyage	12
Configuration de votre nouveau four à micro-ondes	13
Vérification des pièces	13
Configuration de votre four à micro-ondes	14
Installation de la tablette métallique	14
Description du tableau de commande	14
Réglage du temps de cuisson	15
Plateau tournant (activé/désactivé)	15
Minuterie de cuisine	15
Verrouillage de sécurité pour enfants	15
Bouton Stop (Arrêt)	16
Eco Mode (Mode Éco)	16
+30 s	16
Lumière de la table de cuisson (élevée/faible/désactivée)	16
Ventilateur (4/3/2/1/arrêt)	16
Paramètres du système	16
Commande intelligente	17
Commande vocale	18
Connectivité automatique	20
Utilisation du four micro-ondes	21
Micro-ondes	21
Niveaux de puissance	21
Cuisson en une étape	21
Cuisson en plusieurs étapes (deux étapes maximum)	21
Popcorn (Maïs soufflé)	22
Réchauffage	22
Décongélation	23

Cuisson par capteur	24
Cuisson automatique	25
Maintien au chaud	31
Guide des récipients	31
Ustensiles de cuisine recommandés	31
Éléments à utilisation limitée	31
Guide de cuisson	32
Techniques de cuisson	32
Non recommandé	32
Mise à l'épreuve des ustensiles	32
Recommandations générales de cuisson	33
Guide de cuisson des œufs au four à micro-ondes	33
Guide de cuisson des légumes au four à micro-ondes	34
Nettoyage et entretien de votre four à micro-ondes	34
Nettoyage de l'extérieur	34
Nettoyage sous le four à micro-ondes	34
Nettoyage du panneau de commande	34
Nettoyage de la porte et des joints de porte	35
Nettoyage de l'intérieur	35
Nettoyage du plateau tournant et des anneaux de guidage	35
Rangement et réparation du four à micro-ondes	35
Remplacement de l'éclairage de la table de cuisson ou de nuit	35
Remplacement de la lampe du four	36
Nettoyage du filtre à graisse	36
Remplacement du filtre à charbon	37
Dépannage	37
Points de contrôle	37
Codes d'information	41
Annexe	42
Caractéristiques	42
Garantie (ÉTATS-UNIS)	42
Garantie (CANADA)	44

Consignes de sécurité importantes

Nous vous félicitons d'avoir acheté ce nouveau four à micro-ondes Samsung. Le présent manuel contient des renseignements importants sur l'installation, l'utilisation et l'entretien de votre appareil. Veuillez prendre un moment pour lire ce manuel afin de tirer pleinement profit des nombreux avantages et des diverses fonctions de votre four à micro-ondes.

CE QU'IL FAUT SAVOIR SUR LES CONSIGNES DE SÉCURITÉ

Les avertissements et les consignes importantes de sécurité figurant dans ce manuel ne couvrent pas toutes les conditions et situations susceptibles de se produire. Il vous incombe de faire preuve de bon sens, de prudence et d'attention lors de l'installation, de l'entretien et de l'utilisation de votre four à micro-ondes.

CONSIGNES PERMETTANT D'ÉVITER UNE EXPOSITION EXCESSIVE AUX MICRO-ONDES

- A. N'utilisez jamais le four alors que la porte est ouverte; vous risqueriez d'être exposé à une quantité trop importante de micro-ondes. Ne tentez jamais de neutraliser ou de modifier les verrouillages de sécurité.
- B. Ne placez aucun objet entre la face avant du four et la porte et ne laissez pas de salissures ou de résidus de nettoyant s'accumuler sur la surface d'étanchéité.
- C. N'utilisez pas le four s'il est endommagé. Veuillez toujours à ce que la porte soit fermée hermétiquement et que les composants suivants ne soient pas endommagés :
 1. porte (risque de déformation);
 2. charnières et loquets (cassés ou desserrés);
 3. joints de porte et surface d'étanchéité.
- D. Confiez toutes les réparations et opérations de réglage à une main-d'œuvre qualifiée.

SYMBOLES ET MESURES DE SÉCURITÉ IMPORTANTES

Signification des icônes et symboles utilisés dans le présent manuel d'utilisation :

AVERTISSEMENT

Risques ou manipulations dangereuses susceptibles d'entraîner des **blessures graves, voire mortelles.**

ATTENTION

Risques ou manipulations dangereuses susceptibles d'entraîner des **blessures légères ou des dommages matériels.**

ATTENTION

Pour réduire les risques d'incendie, d'explosion, d'électrocution ou de blessure pendant l'utilisation de votre four à micro-ondes, suivez ces mesures de sécurité de base.



NE PAS essayer.



Débranchez le cordon d'alimentation de la prise murale.



Ne PAS démonter.



Assurez-vous que l'appareil est mis à la terre afin d'éviter tout risque d'électrocution.



Ne PAS toucher.



Appelez le centre de service pour obtenir de l'aide.



Respectez scrupuleusement les consignes.



Remarque

Ces symboles d'avertissement sont là pour éviter de vous blesser ou de blesser d'autres personnes. Veuillez les suivre explicitement. Après avoir lu cette section, conservez-la dans un endroit sûr pour pouvoir la consulter ultérieurement.

Consignes de sécurité importantes

1. Avis de la FCC

DÉCLARATION DE LA FCC :

Cet équipement génère et utilise l'énergie de fréquence ISM, et s'il n'est pas installé et utilisé comme il se doit, c'est-à-dire conformément aux instructions du fabricant, il peut provoquer des interférences à la réception de la radio et de la télévision. Il a été testé; il est conforme aux limitations applicables à l'équipement ISM selon le paragraphe 18 de la réglementation FCC, conçues selon le paragraphe 18 de la réglementation FCC, conçues pour fournir une installation résidentielle.

Cependant, il n'y a aucune garantie que des interférences ne se produiront pas dans une installation particulière. Si ce dispositif provoque des interférences à la réception de la radio ou de la télévision, ce qui peut être déterminé en éteignant et en rallumant l'appareil, il est recommandé à l'utilisateur d'essayer de corriger ces interférences en prenant une ou plusieurs des mesures suivantes :

- Réorienter l'antenne de réception de la radio ou de la télévision.
- Déplacer le four à micro-ondes en fonction du récepteur.
- Éloigner le four à micro-ondes du récepteur.

- Brancher le four à micro-ondes sur une autre prise de manière à ce que le four à micro-ondes et le récepteur fonctionnent selon des codes de branchement différents.

Le fabricant n'est pas responsable des interférences radio ou TV causées par une modification non autorisée effectuée dans ce four à micro-ondes. Il incombe à l'utilisateur de corriger ces interférences.

Cet appareil a été testé; il est conforme aux limitations applicables aux appareils numériques de classe B, selon le paragraphe 15 de la réglementation FCC.

Ces limites sont conçues pour fournir une protection raisonnable contre les interférences nuisibles dans une installation résidentielle.

Cet appareil génère, utilise et peut émettre de l'énergie de fréquence radio et, s'il n'est pas installé et utilisé conformément aux instructions, il peut causer des interférences nuisibles aux communications radio. Cependant, il n'y a aucune garantie que des interférences ne se produiront pas dans une installation particulière. Si ce dispositif provoque des interférences nuisibles à la réception de la radio ou de la télévision, ce qui peut être déterminé en éteignant et en rallumant l'appareil, il est recommandé à l'utilisateur d'essayer de corriger ces interférences en prenant une ou plusieurs des mesures suivantes :

CONSERVEZ CES INSTRUCTIONS

- Réorienter ou déplacer l'antenne de réception.
- Augmenter la distance entre l'appareil et le récepteur.
- Brancher l'appareil sur une prise située sur un circuit différent de celui sur lequel le récepteur est branché.
- Consulter le revendeur ou un technicien radio/TV expérimenté pour obtenir de l'aide.

Pour satisfaire aux exigences de la FCC en matière d'exposition aux RF, une distance de séparation de 20 cm ou plus doit être maintenue entre l'antenne de cet appareil et les personnes pendant le fonctionnement de l'appareil. Pour garantir la conformité, il est recommandé de ne pas l'utiliser à une distance inférieure à celle-ci.

AVERTISSEMENT : Tout changement ou toute modification de cet appareil non expressément approuvés par la partie responsable de la conformité peuvent annuler le droit de l'utilisateur à faire fonctionner l'équipement.

2. Avis d'IC

Le terme « IC » précédant le numéro de certification radio signifie uniquement que les spécifications techniques d'Industrie Canada ont été respectées. Le fonctionnement est soumis aux deux conditions suivantes : (1) cet appareil ne doit pas causer d'interférences, et (2) cet appareil doit accepter toute interférence, y compris les interférences qui peuvent causer un fonctionnement indésirable de l'appareil. Cet appareil numérique de classe B est conforme à la norme canadienne ICES-003. Pour les produits disponibles sur les marchés américain et canadien, seuls les canaux 1 à 11 sont disponibles. Vous ne pouvez pas sélectionner d'autres canaux.

DÉCLARATION D'IC RELATIVE À L'EXPOSITION AUX RADIATIONS :

Cet appareil est conforme aux limites d'exposition aux radiations de la norme RSS-102 d'IC, définies pour un environnement non contrôlé. Cet équipement doit être installé et utilisé de manière à ce qu'il y ait au moins 20 cm (8 po) entre le radiateur et votre corps. Cet appareil et son ou ses antennes ne doivent pas être colocalisés ou utilisés en conjonction avec une autre antenne ou un autre émetteur.

CONSERVEZ CES INSTRUCTIONS

AVERTISSEMENT RELATIF À LA PROPOSITION 65 DE L'ÉTAT DE LA CALIFORNIE

⚠ AVERTISSEMENT

Cancer et troubles de la fertilité – www.P65Warnings.ca.gov.

⚠ AVERTISSEMENT

Pour réduire le risque de brûlure, d'électrocution, d'incendie, de blessure ou d'exposition excessive aux micro-ondes :

1. Lisez toutes les consignes de sécurité avant d'utiliser l'appareil.
2. Lisez et respectez ces **Consignes permettant d'éviter une exposition excessive aux micro-ondes à la page 3**.
3. Cet appareil doit être mis à la terre. Ne branchez que sur des prises électriques convenablement mises à la terre. Reportez-vous aux importantes **Consignes de mise à la terre à la page 7** de ce manuel.
4. Installez et positionnez cet appareil uniquement comme indiqué dans les consignes d'installation fournies.
5. Certains produits tels que les œufs entiers et les récipients scellés (p. ex., les bocaux en verre fermés) peuvent exploser s'ils sont chauffés rapidement. Ne les chauffez jamais au four à micro-ondes.
6. N'utilisez cet appareil qu'aux fins décrites dans le manuel. N'utilisez pas de produits chimiques ou de vapeurs corrosives dans cet appareil. Ce type de four est spécialement conçu pour faire réchauffer, cuire ou déshydrater des aliments. Il n'est pas conçu pour être utilisé dans un laboratoire ou à des fins industrielles.

CONSERVEZ CES INSTRUCTIONS

7. Comme pour tout appareil, une vigilance extrême s'impose lorsque le four est utilisé par des enfants. Veillez à ce que les enfants soient éloignés de la porte lors de son ouverture ou de sa fermeture, car ils pourraient se cogner contre la porte ou se prendre les doigts dedans.
8. N'utilisez pas cet appareil si le cordon ou la fiche sont endommagés, s'il ne fonctionne pas correctement, s'il a été endommagé ou s'il est tombé.
9. Cet appareil devrait être réparé ou entretenu uniquement par du personnel de service qualifié. Appelez l'établissement de service agréé le plus près pour un examen, une réparation ou un réglage.
10. Ne couvrez ni ne bloquez aucune des ouvertures de l'appareil.
11. Ne manipulez pas la porte ni ne procédez à aucun réglage ou réparation.
12. Ne rangez pas cet appareil à l'extérieur. N'utilisez pas cet appareil près de l'eau, par exemple près d'un évier de cuisine, dans un sous-sol humide, près d'une piscine ou dans des endroits similaires.
13. N'immergez jamais la fiche ou le cordon dans l'eau.
14. Tenez le cordon éloigné des surfaces chaudes (y compris à l'arrière du four).
15. Ne laissez pas le cordon pendre par-dessus le bord d'une table ou d'un comptoir.
16. Pour nettoyer les surfaces de la porte et du four qui sont en contact lorsque vous fermez la porte, utilisez uniquement des savons doux et non abrasifs, ou des détergents appliqués à l'aide d'une éponge ou d'un chiffon doux. Débranchez la fiche avant le nettoyage.
17. Pour éviter tout risque d'incendie à l'intérieur du four :
 - a. Évitez de trop cuire les aliments. Surveillez l'appareil lorsque du papier, du plastique ou d'autres matériaux combustibles sont placés à l'intérieur du four pour faciliter la cuisson.
 - b. Retirez les attaches métalliques des sacs en papier ou en plastique avant de placer ceux-ci dans le four.
 - c. Si des matières s'enflamment à l'intérieur du four, laissez sa porte fermée, éteignez l'appareil et débranchez le cordon d'alimentation ou coupez l'alimentation dans le panneau de fusibles ou de disjoncteurs. Si vous ouvrez la porte du four, l'incendie risque de se propager.
 - d. Ne rangez rien à l'intérieur du four. Ne laissez pas de papiers, d'ustensiles de cuisine ou d'aliments à l'intérieur du four lorsque celui-ci est inutilisé.

18. Les liquides, tels que l'eau, le lait, le café ou le thé, peuvent être surchauffés au-delà du point d'ébullition sans avoir l'air de bouillir. Un bouillonnement n'est par conséquent pas toujours visible lorsque vous retirez le récipient du four. CELA POURRAIT ENTRAÎNER L'ÉBULLITION SOUDAINE DE LIQUIDES TRÈS CHAUDS LORSQUE LE RÉCIPIENT EST SECOUÉ OU QU'UNE CUILLÈRE OU UN AUTRE USTENSILE EST INSÉRÉ DANS LE LIQUIDE. Pour réduire le risque de blessure :
- Évitez de trop chauffer le liquide.
 - Remuez le liquide avant et à mi-cuisson.
 - N'utilisez pas de récipients à paroi droite et à col étroit.
 - Une fois le temps de chauffe écoulé, laissez le récipient dans le micro-ondes pendant quelques instants avant de le sortir.
 - Soyez extrêmement prudent lorsque vous introduisez une cuillère ou un autre ustensile dans le récipient.
19. Des aliments ou des ustensiles métalliques surdimensionnés ne doivent pas être insérés dans le four à micro-ondes, car ils peuvent créer un incendie ou un risque d'électrocution.
20. Ne nettoyez pas le four à micro-ondes avec un tampon à récurer en métal. Un fragment métallique pourrait se détacher du tampon, entrer en contact avec des composants électriques et provoquer une électrocution.
21. Ne placez pas d'articles en papier dans le four lorsque vous l'utilisez en mode grille-pain.
22. Ne rangez aucun matériel, autre que les accessoires recommandés par le fabricant, dans ce four lorsqu'il n'est pas utilisé.
23. Ne recouvrez pas les grilles ou toute autre partie du four à micro-ondes d'une feuille métallique.
Le four se mettrait alors à surchauffer.

ATTENTION

- Nettoyez fréquemment les hottes de ventilation - La graisse ne doit pas s'accumuler sur la hotte du filtre.
- Si les aliments situés sur la cuisinière s'enflamment, activez la ventilation.
- Nettoyez le filtre de la hotte avec précaution. Les produits de nettoyage corrosifs, tels que les nettoyants pour four à base de soude caustique, peuvent endommager le filtre.

CONSIGNES DE MISE À LA TERRE

Cet appareil doit être mis à la terre. En cas de court-circuit électrique, la mise à la terre réduit le risque d'électrocution en prévoyant un fil de fuite pour le courant électrique. Cet appareil est équipé d'un cordon comportant un fil de mise à la terre et une fiche de mise à la terre. La fiche doit être branchée sur une prise secteur posée et mise à la terre conformément à la législation en vigueur.

AVERTISSEMENT

Toute utilisation non conforme de la fiche de mise à la terre peut entraîner un risque d'électrocution.

- Branchez sur une prise à trois broches mise à la terre. Ne retirez pas la troisième broche (de mise à la terre). N'utilisez pas un adaptateur ou une autre manière de contourner la fonction de sécurité de la fiche de mise à la terre.
- Consultez un électricien qualifié ou un agent de maintenance si vous ne comprenez pas les consignes de mise à la terre ou si vous n'êtes pas sûr que l'appareil est correctement mis à la terre.
- Nous vous déconseillons d'utiliser une rallonge avec cet appareil. Si le cordon d'alimentation est trop court, demandez à un électricien ou à un réparateur qualifié d'installer une prise à proximité du four à micro-ondes. Cependant, s'il est nécessaire d'utiliser une rallonge, lisez et suivez la section « **Utilisation de rallonges** » ci-dessous.

CONSERVEZ CES INSTRUCTIONS

UTILISATION DE RALLONGES

Un cordon d'alimentation court est fourni pour réduire le risque de vous coincer ou de trébucher sur un cordon plus long. Des cordons plus longs ou des rallonges sont offerts et vous pouvez les utiliser si vous faites preuve de prudence. Si vous utilisez un long cordon ou une rallonge :

1. La puissance électrique marquée du cordon ou de la rallonge doit être au moins égale à la puissance électrique de l'appareil.
2. La rallonge doit être un cordon à trois fils avec mise à la terre et elle doit être branchée sur une prise à trois fentes.
3. Le cordon plus long doit être disposé de sorte qu'il ne pende pas sur le comptoir ou la table, où il pourrait être tiré par des enfants ou faire trébucher des gens accidentellement. Si vous utilisez une rallonge, l'éclairage intérieur peut vaciller et la vitesse du ventilateur peut varier lorsque le four à micro-ondes est en marche. Les temps de cuisson peuvent également être plus longs.

AVERTISSEMENTS IMPORTANTS RELATIFS À L'INSTALLATION

★ Cet appareil doit être installé par un technicien qualifié ou une entreprise de services.

- Si le four n'est pas installé par un technicien qualifié, vous risquez de subir une électrocution, un incendie, une explosion, des problèmes avec le produit ou des blessures.

Déballez le four, retirez tous les matériaux d'emballage et inspectez-le à la recherche de dommages tels que les éclats à l'intérieur ou à l'extérieur du four, les loquets de porte cassés, les fissures de la porte ou une porte qui n'est pas correctement alignée. En cas de dommage, n'utilisez pas le four et prévenez immédiatement le détaillant.

Assurez-vous d'installer votre four dans un espace suffisamment grand. Retirez périodiquement tous les corps étrangers, comme la poussière ou l'eau, des broches de la fiche d'alimentation et des points de contact au moyen d'un chiffon sec.


- Débranchez la fiche d'alimentation et nettoyez-la au moyen d'un chiffon sec.
- Le non-respect de cette consigne peut entraîner un risque d'électrocution ou d'incendie.

Branchez la fiche d'alimentation sur une prise à trois broches correctement mise à la terre. Votre four devrait être le seul appareil branché à ce circuit.

- Partager une fiche murale avec d'autres appareils ou utiliser une barre d'alimentation ou une rallonge peut provoquer une électrocution ou un incendie.
- N'utilisez pas de transformateur électrique. Cela pourrait entraîner un risque d'électrocution ou d'incendie.
- Assurez-vous que la tension, la fréquence et l'intensité du courant fourni correspondent aux spécifications du produit. Le non-respect de cette consigne peut entraîner un risque d'électrocution ou d'incendie.

Conservez tous les matériaux d'emballage hors de portée des enfants. Des enfants pourraient s'en servir pour jouer.


CONSERVEZ CES INSTRUCTIONS

 Cet appareil doit être correctement mis à la terre. Lisez et respectez les **Consignes de mise à la terre** précises qui se trouvent au début de la présente section. Ne mettez pas l'appareil à la terre sur un tuyau de gaz, un tuyau d'eau en plastique ou une ligne téléphonique.

- Cela pourrait entraîner une électrocution, un incendie, une explosion ou des problèmes avec l'appareil
- Ne branchez jamais le cordon d'alimentation dans une prise qui n'est pas correctement mise à la terre et assurez-vous qu'elle est mise à la terre conformément aux codes local et national.

Ne coupez ou ne retirez en aucun cas la troisième broche (de mise à la terre) du cordon d'alimentation.

Le four à micro-ondes exige une prise unique mise à la terre sur un circuit de dérivation distinct d'au moins 15 A et d'au plus 20 A.

 N'installez pas cet appareil dans un endroit humide, huileux ou poussiéreux, ni dans un endroit exposé à la lumière directe du soleil ou à l'eau (gouttes de pluie).

• Cela pourrait entraîner un risque d'électrocution ou d'incendie. Branchez fermement le cordon d'alimentation sur la prise murale. N'utilisez pas une fiche ou un cordon d'alimentation endommagés, ni une prise murale mal fixée.

• Cela pourrait entraîner un risque d'électrocution ou d'incendie. Ne l'installez pas au-dessus d'un évier.

Évitez de tirer ou de trop plier le cordon d'alimentation.


Évitez de tordre ou d'emmêler le cordon d'alimentation.

Évitez d'accrocher le cordon d'alimentation à un objet métallique, de placer un objet lourd sur le cordon d'alimentation, d'insérer le cordon d'alimentation entre des objets ou de pousser le cordon dans l'espace derrière l'appareil.



• Cela pourrait entraîner un risque d'électrocution ou d'incendie.

Ne tirez pas sur le cordon d'alimentation lorsque vous débranchez le four.


- Débranchez le four uniquement en tirant sur la fiche.
- Le non-respect de cette consigne peut entraîner un risque d'électrocution ou d'incendie.

 Si la fiche ou le cordon d'alimentation sont endommagés, communiquez avec le centre de service le plus près pour une réparation ou un remplacement.

MISES EN GARDE SUR L'INSTALLATION

-  Placez le four de sorte que la fiche soit facilement accessible.
 - Le non-respect de cette consigne peut entraîner un risque d'électrocution ou d'incendie en raison d'une fuite électrique.
-  Débranchez le four lorsqu'il n'est pas utilisé pendant de longues périodes ou au cours d'un orage.
 - Le non-respect de cette consigne peut entraîner un risque d'électrocution ou d'incendie.

AVERTISSEMENTS IMPORTANTS RELATIFS À L'UTILISATION




-  Si le four à micro-ondes est immergé, contactez le centre de service Samsung le plus près. Le non-respect de cette consigne peut entraîner un risque d'électrocution ou d'incendie. Lisez et respectez les « **Consignes permettant d'éviter une exposition excessive aux micro-ondes** », qui se trouve au début de la présente section de renseignements sur la sécurité. Si le four à micro-ondes produit un bruit étrange, une odeur de brûlé ou de la fumée, débranchez-le immédiatement et contactez le centre de service Samsung le plus près.
 - Le non-respect de cette consigne peut entraîner un risque d'électrocution ou d'incendie.


En cas de fuite de gaz (gaz propane, gaz de pétrole liquéfié, etc.), aérez la pièce immédiatement. Ne touchez pas le four à micro-ondes, le cordon d'alimentation ou la fiche.

 - N'utilisez pas un ventilateur.
 - Une étincelle peut provoquer une explosion ou un incendie. Assurez-vous que la porte ou toute autre partie n'entrent pas en contact avec votre corps pendant que le four à micro-ondes fonctionne ou immédiatement après.
 - Le non-respect de cette consigne peut entraîner des brûlures.

CONSERVEZ CES INSTRUCTIONS

Consignes de sécurité importantes

-  En cas de feu de graisse sur les surfaces sous le four à micro-ondes, étouffez les flammes à l'aide d'un couvercle, d'une plaque de cuisson ou d'un plateau.
Lors d'une utilisation à puissance élevée, ne laissez jamais les éléments situés sous le four à micro-ondes sans surveillance. En cas de débordement, les particules grasses provenant des aliments risquent de s'enflammer si la hotte fonctionne. Afin que la hotte ne se déclenche pas automatiquement chaque fois que vous vous servez de votre four, utilisez des récipients de taille appropriée et ne faites fonctionner votre table de cuisson à puissance maximale que lorsque cela est vraiment nécessaire. Si des matières s'enflamment à l'intérieur du four à micro-ondes, laissez sans porte fermée, éteignez l'appareil et débranchez le cordon d'alimentation ou l'alimentation dans le panneau de fusibles ou de disjoncteurs. Si vous ouvrez la porte du four, l'incendie risque de se propager.
L'utilisation de récipients d'une taille non adéquate sur la cuisinière peut entraîner la fonte de la porte du micro-ondes ou d'autres dommages.
 - Respectez toujours les consignes de sécurité lorsque vous utilisez votre four à micro-ondes. N'essayez jamais de réparer le four vous-même. Des tensions dangereuses sont présentes à l'intérieur. Si le four doit être réparé, contactez un centre de service agréé à proximité.
-  N'essayez pas de réparer, de démonter ou de modifier l'appareil vous-même.
 - Comme un courant de haute tension pénètre dans le châssis de l'appareil pendant l'utilisation, il peut en résulter une électrocution ou un incendie.
 - Une exposition à des ondes électromagnétiques est possible.
 - Si votre four à micro-ondes doit être réparé, communiquez avec le centre de service Samsung le plus près.
-  Si une substance étrangère, comme de l'eau, pénètre dans le four à micro-ondes, débranchez ce dernier puis communiquez avec le centre de service le plus près.
 - Le non-respect de cette consigne peut entraîner un risque d'électrocution ou d'incendie.

-  Ne touchez pas la fiche d'alimentation avec les mains mouillées.
 - Cela pourrait provoquer une électrocution.
 - N'éteignez pas l'appareil en débranchant la fiche d'alimentation alors que l'appareil est en train de fonctionner.
 - Rebrancher la fiche d'alimentation dans la prise murale pourrait causer une étincelle et provoquer une électrocution ou un incendie.Conservez tous les matériaux d'emballage hors de portée des enfants. Les matériaux d'emballage peuvent être dangereux pour les enfants.
 - Un enfant qui placerait un sac sur sa tête pourrait suffoquer.Ne laissez pas les enfants ou toute personne ayant des capacités physiques, sensorielles ou mentales réduites utiliser cet appareil sans surveillance. Veillez à ce que l'appareil soit hors de portée des enfants.
 - Le non-respect de cette consigne peut entraîner des électrocutions, des brûlures ou des blessures.Ne touchez pas l'intérieur de l'appareil immédiatement après la cuisson. L'intérieur de l'appareil sera chaud.
 - La chaleur à l'intérieur du four à micro-ondes peut causer des brûlures.Ne placez pas de papier d'aluminium (sauf si spécifiquement indiqué dans le présent manuel), des objets métalliques (comme des contenants, des fourchettes, etc.) ou des contenants ayant une bordure en or ou en argent dans le four à micro-ondes.
 - Ces objets peuvent provoquer des étincelles ou un incendie.Évitez d'utiliser ou de mettre des produits ou objets inflammables à proximité du four à micro-ondes.
 - La chaleur du four à micro-ondes peut enflammer ou faire exploser les vaporisateurs inflammables.
 - Le non-respect de cette consigne peut entraîner un risque d'électrocution ou de blessures.Ne manipulez pas la porte ni ne procédez à aucun réglage ou réparation. Vous ne devez en aucune circonstance retirer le boîtier extérieur. Ne rangez pas et n'utilisez pas le four à micro-ondes à l'extérieur.

CONSERVEZ CES INSTRUCTIONS

PRÉCAUTIONS D'UTILISATION

- ★ Si la surface du four à micro-ondes est fissurée, éteignez l'appareil.
- Le non-respect de cette consigne peut provoquer une électrocution. La vaisselle et les récipients peuvent devenir chauds. Manipulez-les avec précaution. Les aliments chauds et la vapeur peuvent provoquer des brûlures. Retirez le couvercle des récipients avec précaution en veillant à éloigner ces derniers de votre visage et de vos mains afin d'éviter que le dégagement de vapeur ne vous brûle. Retirez les couvercles des pots d'aliments pour bébé avant de les faire chauffer. Lorsque vous réchauffez des aliments pour bébé, remuez-les bien pour répartir la chaleur uniformément. Testez toujours la température des aliments avant de les donner à un bébé. Le récipient en verre ou la surface des aliments peuvent paraître plus froids que celle des aliments à l'intérieur, qui peuvent être chauds au point de brûler la bouche du bébé. Assurez-vous que tous les récipients utilisés dans le four à micro-ondes conviennent à un tel emploi. Utilisez des récipients micro-ondables en respectant scrupuleusement les recommandations du fabricant.

- ☐ Ne vous tenez pas au-dessus de l'appareil et ne placez pas d'objets (tels que du linge, un couvercle de four, des bougies ou des cigarettes allumées, de la vaisselle, des produits chimiques, des objets métalliques, etc.) sur l'appareil.
- Des objets, tels qu'un chiffon, peuvent se coincer dans la porte.
 - Cela peut entraîner une électrocution, un incendie, des problèmes avec le produit ou des blessures.
- N'utilisez pas l'appareil avec les mains mouillées.
- Cela pourrait provoquer une électrocution.
- Évitez de vaporiser des substances volatiles telles que des insecticides sur la surface de l'appareil.
- En plus d'être nocives pour les humains, ces substances peuvent provoquer des électrocutions, des incendies ou des problèmes avec le produit.
- Ne placez pas l'appareil au-dessus d'un objet fragile, comme un évier ou un objet en verre.
- Cela pourrait endommager l'évier ou l'objet en verre.

CONSERVEZ CES INSTRUCTIONS

Consignes de sécurité importantes

- ☐ Assurez-vous que votre corps et votre visage demeurent à l'écart de l'appareil au moment de la cuisson ou lorsque vous ouvrez la porte juste après la cuisson.
 - Assurez-vous que les enfants ne s'approchent pas trop de l'appareil.
 - Le non-respect de cette consigne risque d'entraîner des brûlures pour les enfants.
- Ne placez pas d'aliments ou d'objets lourds par-dessus la porte.
 - Si vous ouvrez la porte, l'aliment ou l'objet risque de tomber et de provoquer des brûlures ou des blessures.
- Ne refroidissez pas brusquement la porte, l'intérieur de l'appareil ou le plat en y versant de l'eau pendant ou juste après la cuisson.
 - Cela pourrait endommager l'appareil. La vapeur ou les projections d'eau peuvent provoquer des brûlures ou des blessures.
- Veillez toujours à ce que le plateau en verre se trouve à l'intérieur du four avant de mettre en marche ce dernier. Dans le cas contraire, les aliments ne seraient pas cuits correctement.
- Ne décongelez pas de boissons congelées dans des bouteilles à goulot étroit. Les contenants peuvent se briser.
- Ne rayez pas le verre de la porte du four à micro-ondes avec un objet pointu.
 - Cela pourrait endommager le verre ou le casser.
- Ne posez rien directement sur l'appareil lorsqu'il fonctionne.
- N'utilisez pas de récipients fermés hermétiquement. Retirez les obturateurs et les couvercles avant l'utilisation. Les récipients fermés hermétiquement peuvent exploser en raison de l'accumulation de pression, même après l'arrêt du four.

AVERTISSEMENTS IMPORTANTS RELATIFS AU NETTOYAGE

Ne nettoyez pas l'appareil en pulvérisant de l'eau directement dessus. N'utilisez pas de benzène, de diluant ou d'alcool pour nettoyer l'appareil.

- Cela pourrait entraîner une décoloration, une déformation, des dommages, une électrocution ou un incendie.

Avant d'effectuer le nettoyage ou l'entretien de l'appareil, débranchez-le de la prise murale. Puis retirez les résidus d'aliments qui se trouvent sur la porte et dans le compartiment de cuisson.

- Le non-respect de cette consigne peut entraîner un risque d'électrocution ou d'incendie.

Prenez garde à ne pas vous blesser lorsque vous nettoyez l'appareil (l'extérieur ou l'intérieur de celui-ci).

- Vous risquez de vous blesser sur les bords tranchants de l'appareil.

Ne nettoyez pas l'appareil à l'aide d'un nettoyeur à vapeur.

- De la corrosion pourrait se former.

Gardez l'intérieur du four à micro-ondes propre. Les particules d'aliments ou les éclaboussures d'huile collées sur les parois ou le fond du four peuvent endommager la peinture et réduire l'efficacité de l'appareil.

CONSERVEZ CES INSTRUCTIONS

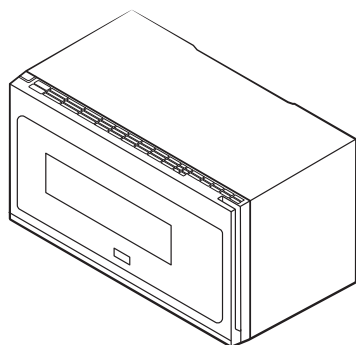
Configuration de votre nouveau four à micro-ondes

Assurez-vous de scrupuleusement suivre ces consignes afin que votre nouveau four à micro-ondes fonctionne correctement.

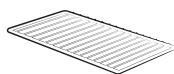
Vérification des pièces

Déballiez soigneusement votre four à micro-ondes et assurez-vous que vous avez reçu toutes les pièces illustrées ci-dessous. Si votre four à micro-ondes a été endommagé lors de l'expédition ou si vous n'avez pas toutes pièces, communiquez avec le centre d'appel Samsung.

(Reportez-vous aux **RENSEIGNEMENTS SUR LA GARANTIE ET LE SERVICE** à la page 42.)



Four à micro-ondes



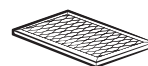
* Tablette



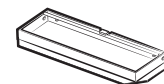
* Plateau en verre



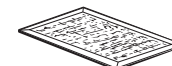
* Anneau du plateau tournant



* Filtre à charbon



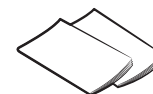
* Adaptateur du système d'évacuation



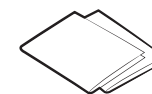
* Filtres à graisse (2 ch.)



* Trousse de quincaillerie (vis et supports)



Manuels (d'utilisation et d'installation)



Gabarits (supérieur et mural)

REMARQUE

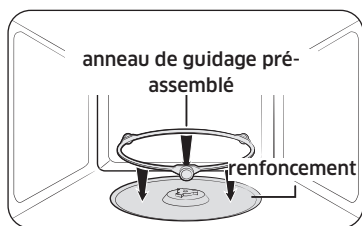
Si vous avez besoin d'un accessoire marqué d'un astérisque (*), veuillez communiquer avec le centre d'appel Samsung au numéro de téléphone indiqué à la dernière page du présent manuel ou visitez notre site web de pièces en ligne au www.samsungparts.com.

Configuration de votre nouveau four à micro-ondes

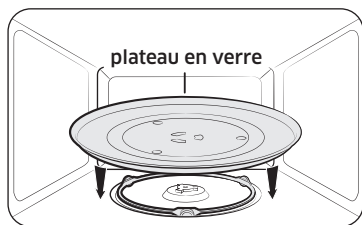
Configuration de votre four à micro-ondes



1. Ouvrez la porte en tirant sur la poignée sur le côté droit de la porte.
2. Essuyez l'intérieur du four à micro-ondes avec un chiffon humide.



3. Installez l'anneau pré-assemblé dans le renforcement au centre du four à micro-ondes.



4. Placez le plateau en verre solidement au centre de l'anneau de guidage pré-assemblé.

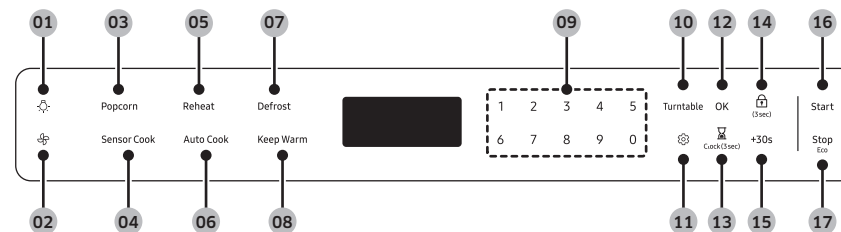
Installation de la tablette métallique

Lorsque vous devez utiliser la tablette métallique, placez-la sur les crochets en plastique à l'intérieur du four, et assurez-vous qu'elle est correctement placée pour éviter la formation d'arcs électriques pouvant endommager le four.

⚠ ATTENTION

Assurez-vous que la tablette est bien positionnée à l'intérieur du four à micro-ondes afin de prévenir les dommages à celui-ci par des arcs électriques.

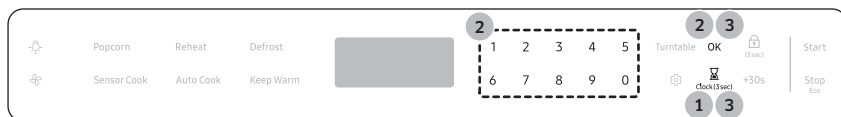
Description du tableau de commande



- | | | | |
|----|---|----|---|
| 01 | Bouton d'éclairage de la table de cuisson (élevé/faible/éteint) | 10 | Bouton Turntable (Plateau tournant) |
| 02 | Bouton de ventilation (quatre vitesses et activation/désactivation) | 11 | Bouton des paramètres |
| 03 | Bouton Popcorn (Maïs soufflé) | 12 | Bouton OK |
| 04 | Bouton Sensor Cook (Cuisson avec capteur) | 13 | Bouton de minuterie de cuisine et des paramètres de l'horloge |
| 05 | Bouton Reheat (Réchauffage) | 14 | Bouton de verrouillage de sécurité pour enfants |
| 06 | Bouton Auto Cook (Cuisson automatique) | 15 | Bouton +30 s |
| 07 | Bouton Defrost (Décongeler) | 16 | Bouton Start (Démarrer) |
| 08 | Bouton Keep Warm (Maintien au chaud) | 17 | Bouton Stop Eco (Arrêt Éco) |
| 09 | Pavé numérique | | |

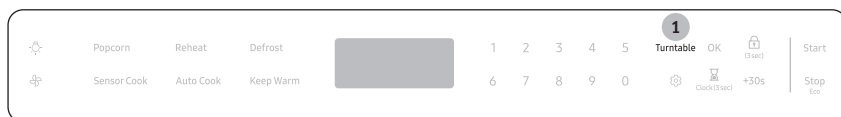
Réglage du temps de cuisson

Votre four à micro-ondes est équipé d'une horloge intégrée. L'horloge doit être réglée lors de l'installation initiale du four à micro-ondes ou après une panne de courant. L'heure s'affiche lorsque le four micro-ondes n'est pas en cours de fonctionnement.



1. Appuyez sur le bouton **Clock** (Horloge) et maintenez-le enfoncé pendant trois secondes.
2. Utilisez les boutons du **pavé numérique** pour entrer l'heure, puis appuyez sur le bouton **OK**.
3. Pour le mode d'affichage 12 heures, appuyez sur le bouton **Clock** (**Horloge**) pour régler l'heure AM ou PM, puis appuyez sur le bouton **OK**.

Plateau tournant (activé/désactivé)



1. Appuyez sur le bouton **Turntable** (Plateau tournant) pour activer ou désactiver celui-ci.

REMARQUE

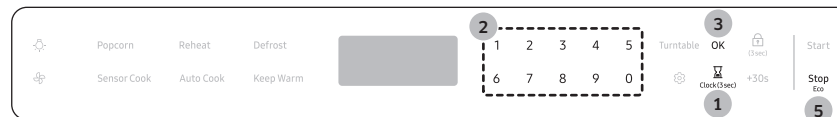
Vous pouvez utiliser cette fonction uniquement en mode de cuisson manuel. Si le plateau tournant est immobile pendant une période prolongée, les aliments peuvent brûler. Pour de meilleurs résultats de cuisson, laissez la fonction du plateau tournant activée.

ATTENTION

Le plateau tournant peut devenir extrêmement chaud. Utilisez des maniques pour manipuler le plateau tournant pendant et après la cuisson.

Minuterie de cuisine

Votre micro-ondes intègre une fonction de minuterie **Kitchen Timer** (Minuterie). Vous pouvez régler la minuterie à 99 minutes et 99 secondes au maximum.




1. Appuyez sur le bouton **Kitchen Timer** (Minuterie).
2. Utilisez les boutons du **pavé numérique** pour régler le temps de cuisson.
3. Appuyez sur le bouton **OK**.
4. Le décompte s'affiche, puis un signal sonore retentit une fois le temps écoulé.
5. Pour annuler le réglage de la minuterie, appuyez sur le bouton **Stop** (Arrêt).

Verrouillage de sécurité pour enfants

La fonction de **verrouillage de sécurité pour enfants** vous permet de verrouiller tous les boutons afin que le four micro-ondes ne puisse pas être mis en marche de manière accidentelle par des enfants.



Activation / Désactivation

1. Pour activer ou désactiver le verrouillage de sécurité pour enfants, appuyez sur le bouton **Child Lock** (Verrouillage de sécurité pour enfants) pendant trois secondes. L'écran affiche  lorsque le four est verrouillé.

Configuration de votre nouveau four à micro-ondes

Bouton Stop (Arrêt)

Le bouton **Stop** (Arrêt) vous permet d'annuler les instructions que vous avez saisies. Il vous permet également d'interrompre momentanément le cycle de cuisson de votre four à micro-ondes afin de contrôler la cuisson des aliments.

- Pour mettre en pause le four pendant la cuisson, appuyez une seule fois sur le bouton **Stop (Arrêt)**.
Pour le redémarrer, appuyez sur le bouton **Start** (Démarrer).
- Pour arrêter la cuisson, effacer les instructions et ramener l'affichage du four sur l'heure actuelle, appuyez deux fois sur le bouton **Stop** (Arrêt).
- Pour effacer les instructions que vous venez de saisir, appuyez une seule fois sur le bouton **Stop** (Arrêt), puis saisissez à nouveau les instructions.
- Pour annuler un réglage de la minuterie, appuyez une seule fois sur le bouton **Stop** (Arrêt).

Eco Mode (Mode Éco)

La fonction **Eco Mode (Mode Éco)** permet de réduire la consommation en veille. Lorsque vous appuyez une fois sur le bouton **Stop Eco** (Arrêt Éco), l'écran s'éteint et le four à micro-ondes passe en mode d'économie d'énergie. Pour annuler la fonction **Eco Mode** (Mode Éco), appuyez sur n'importe quel bouton.

+30 s

Cette fonctionnalité constitue un moyen pratique d'augmenter le temps de cuisson en mode de cuisson manuel.

1. En mode veille, appuyez sur le bouton **+30 s** pour ajouter 30 secondes au mode micro-ondes.
2. Si le four est en mode de cuisson manuel, appuyez sur le bouton **+30 s** pour augmenter le temps de cuisson de 30 secondes.

Lumière de la table de cuisson (élevée/faible/désactivée)

Appuyez sur le bouton de **lumière de la table de cuisson** pour allumer ou éteindre la lumière de la table de cuisson. Appuyez une fois sur ce bouton pour activer un éclairage puissant, deux fois pour un éclairage faible et trois fois pour éteindre la lumière de la table de cuisson.

Ventilateur (4/3/2/1/arrêt)

Le ventilateur permet d'éliminer la vapeur d'eau et les autres vapeurs produites lors de la cuisson sur la table de cuisson en dessous.

Appuyez une fois sur le bouton de **ventilateur** pour une vitesse de ventilation maximale, deux fois pour une vitesse de ventilation élevée, trois fois pour une vitesse de ventilation moyenne, et quatre fois pour une vitesse de ventilation faible. Appuyez une cinquième fois sur le bouton pour éteindre le ventilateur.

REMARQUE

- La vitesse du ventilateur aspirant peut diminuer lorsque la fonction de cuisson du four est activée.
- Le ventilateur protège le four à micro-ondes contre un excès de chaleur. Il s'enclenche automatiquement s'il détecte une chaleur trop importante. Si vous avez activé le ventilateur, il arrive que vous ne puissiez plus l'éteindre. Il s'arrêtera automatiquement une fois que tous les composants internes auront refroidi. Il peut continuer de fonctionner pendant 30 minutes ou plus après que vous éteignez le four à micro-ondes.

Paramètres du système

Vous pouvez personnaliser votre nouveau four à micro-ondes en fonction de vos besoins.

Pour le personnaliser :



1. Appuyez sur le bouton des **paramètres**.
2. Appuyez sur les boutons du **pavé numérique** (1-6) pour sélectionner la fonction que vous souhaitez personnaliser, puis appuyez sur le bouton **OK**.
3. Appuyez sur le numéro **1** ou **2** pour modifier les options, puis appuyez sur **OK**.

Les fonctions et les options sont décrites dans le tableau ci-dessous.

Fonction		Description	Options	
1	Rappel d'entretien de filtre	Le rappel d'entretien de filtre peut être activé ou désactivé.	1	Activé
			2	Désactivé
2	Unité de poids	Le poids peut s'afficher en livres ou en grammes.	1	lb
			2	g
3	Sons	Vous pouvez activer ou désactiver le son.	1	Activé
			2	Désactivé
4	Signal de rappel de fin	Le signal de rappel de fin peut être activé ou désactivé.	1	Activé
			2	Désactivé
5	Format 24 heures	L'horloge est compatible avec le mode d'affichage 12 heures ou 24 heures.	1	12 h
			2	24 h
6	Wi-Fi	La fonction Wi-Fi peut être activée ou désactivée.	1	Activé
			2	Désactivé

REMARQUE

- Si vous changez d'avis pendant le réglage d'un paramètre, appuyez sur le bouton **Stop (Arrêt)** pour revenir en arrière, puis modifiez à nouveau le paramètre.
- En cas de coupure de courant, vous devrez réinitialiser ces options.
- Si la fonction de **Rappel d'entretien de filtre** est activée, le four à micro-ondes vous rappellera de nettoyer ou de remplacer le filtre à graisse tous les quatre mois. Lorsque vient le moment de nettoyer ou de remplacer le filtre à graisse, le four affiche le message « **Filter** » (Filtre) afin de vous rappeler de nettoyer ou de remplacer le filtre à graisse. Pour effacer le message, appuyez sur le chiffre 0 lorsque le micro-ondes est en mode veille. Si vous ne souhaitez pas recevoir ce message, désactivez la fonction **Filter Remind (Rappel d'entretien de filtre)** dans les **System Settings (Paramètres du système)**.

Commande intelligente

Pour utiliser la fonction de commande intelligente du four à micro-ondes, vous devez télécharger l'application SmartThings sur un appareil mobile. Les fonctions commandées à l'aide de l'application SmartThings peuvent ne pas fonctionner correctement si les conditions de communication sont mauvaises ou si le four à micro-ondes est installé dans un endroit où le signal Wi-Fi est faible.

Comment connecter le four à micro-ondes

1. Téléchargez et ouvrez l'application SmartThings sur votre appareil intelligent.
2. Suivez les instructions de l'application à l'écran pour connecter votre four à micro-ondes.
3. Pour faire fonctionner la fonction de commande intelligente du four à micro-ondes, appuyez et maintenez enfoncé le bouton **OK** pendant trois secondes.
4. Une fois terminé, l'icône  s'affiche sur votre four à micro-ondes et l'application confirme que la connexion est établie.
5. Si l'icône de connexion n'apparaît pas, suivez les instructions de l'application pour vous reconnecter.

Commande à distance du four à micro-ondes à l'aide de l'application SmartThings	
Surveillance du four à micro-ondes	Vérifiez l'état du four à micro-ondes
Commande à distance du four à micro-ondes	Commande à distance de la vitesse du ventilateur/de la lampe de la table de cuisson

REMARQUE

- Pour des raisons de sécurité, vous ne pouvez pas allumer le four à micro-ondes à distance et vous devez spécifier le temps de cuisson pour activer la commande à distance.
- La fonction de commande intelligente ne fonctionnera pas correctement si la connexion Wi-Fi est instable.

Configuration de votre nouveau four à micro-ondes

Commande vocale

Pour utiliser la fonction de commande vocale du four à micro-ondes, vous avez besoin des applications Bixby, Amazon Alexa ou Assistant Google sur votre appareil mobile.

Bixby

Démarrez la conversation avec Bixby sur un appareil mobile SAMSUNG en disant « Hi Bixby » ou en appuyant sur la touche latérale.

Fonction	Commande Bixby OTR												
Éteindre/Arrêter	<ul style="list-style-type: none">Annuler le micro-ondes.Éteindre le micro-ondes.												
Vérifier le temps	<ul style="list-style-type: none">Vérifier le temps restant sur le micro-ondes.Combien de temps reste-t-il sur la minuterie du micro-ondes?												
Vérifier l'état	<ul style="list-style-type: none">Vérifier l'état du micro-ondes.Vérifier l'état du micro-ondes.												
Commande de hotte du micro-ondes	<ul style="list-style-type: none">Allumer/éteindre la lumière de la hotte du micro-ondes.Allumer/éteindre l'alimentation de la hotte du micro-ondes.Allumer/éteindre le ventilateur de la hotte du micro-ondes.Régler la vitesse du ventilateur de la hotte du micro-ondes sur haute/moyenne/basse.												
Envoyer une recette de cuisson automatique	<table border="0"><tr><td><ul style="list-style-type: none">Cuire une pizza.</td><td><ul style="list-style-type: none">Cuire une pizza pour deux.</td><td><ul style="list-style-type: none">Cuire deux pointes de pizza.</td></tr><tr><td><ul style="list-style-type: none">Réchauffer une pizza.</td><td><ul style="list-style-type: none">Réchauffer une pizza pour deux.</td><td><ul style="list-style-type: none">Réchauffer deux pointes de pizza.</td></tr><tr><td><ul style="list-style-type: none">Je veux cuire une pizza.</td><td><ul style="list-style-type: none">Je veux cuire une pizza pour deux.</td><td><ul style="list-style-type: none">Je veux cuire deux pointes de pizza.</td></tr><tr><td><ul style="list-style-type: none">Pouvez-vous cuire une pizza?</td><td><ul style="list-style-type: none">Pouvez-vous cuire une pizza pour deux?</td><td><ul style="list-style-type: none">Pouvez-vous cuire deux pointes de pizza?</td></tr></table>	<ul style="list-style-type: none">Cuire une pizza.	<ul style="list-style-type: none">Cuire une pizza pour deux.	<ul style="list-style-type: none">Cuire deux pointes de pizza.	<ul style="list-style-type: none">Réchauffer une pizza.	<ul style="list-style-type: none">Réchauffer une pizza pour deux.	<ul style="list-style-type: none">Réchauffer deux pointes de pizza.	<ul style="list-style-type: none">Je veux cuire une pizza.	<ul style="list-style-type: none">Je veux cuire une pizza pour deux.	<ul style="list-style-type: none">Je veux cuire deux pointes de pizza.	<ul style="list-style-type: none">Pouvez-vous cuire une pizza?	<ul style="list-style-type: none">Pouvez-vous cuire une pizza pour deux?	<ul style="list-style-type: none">Pouvez-vous cuire deux pointes de pizza?
<ul style="list-style-type: none">Cuire une pizza.	<ul style="list-style-type: none">Cuire une pizza pour deux.	<ul style="list-style-type: none">Cuire deux pointes de pizza.											
<ul style="list-style-type: none">Réchauffer une pizza.	<ul style="list-style-type: none">Réchauffer une pizza pour deux.	<ul style="list-style-type: none">Réchauffer deux pointes de pizza.											
<ul style="list-style-type: none">Je veux cuire une pizza.	<ul style="list-style-type: none">Je veux cuire une pizza pour deux.	<ul style="list-style-type: none">Je veux cuire deux pointes de pizza.											
<ul style="list-style-type: none">Pouvez-vous cuire une pizza?	<ul style="list-style-type: none">Pouvez-vous cuire une pizza pour deux?	<ul style="list-style-type: none">Pouvez-vous cuire deux pointes de pizza?											

Amazon Alexa et Google Assistant

Les appareils électroménagers intelligents de Samsung sont compatibles avec SmartThings dans Alexa et avec Actions dans l'Assistant Google.

Guide d'installation

Voici la manière de connecter un compte SmartThings à Amazon Alexa ou à l'Assistant Google. Les applications SmartThings et Alexa (ou Assistant Google) doivent être installées sur votre téléphone.

1. Configurez les appareils pris en charge par SmartThings.
2. Après la configuration de l'appareil, appuyez sur le bouton **+** à l'écran.
3. Appuyez sur l'**Assistant vocal** et connectez votre compte Samsung à Amazon Alexa (ou à l'Assistant Google).
4. Vérifiez que les appareils sont visibles dans l'application Amazon Alexa. La connexion au compte est ainsi terminée. (Vérifiez que les appareils sont visibles et définissez l'emplacement [maison et pièce] des appareils dans l'application Google Home. La connexion au compte est alors terminée.)

Fonction	« Alexa »	« OK Google »
Éteindre/Arrêter	<ul style="list-style-type: none">Éteindre le micro-ondes.Arrêter le micro-ondes.	<ul style="list-style-type: none">Éteindre le micro-ondes.Arrêter le micro-ondes.
Vérifier l'état	<ul style="list-style-type: none">Le micro-ondes est-il en fonctionnement?Le micro-ondes est-il allumé?	<ul style="list-style-type: none">Le micro-ondes est-il en fonctionnement?Le micro-ondes est-il allumé?



Commande de hotte du micro-ondes	<ul style="list-style-type: none"> Allumer/éteindre (l'éclairage de la hotte, la lampe de la hotte, la lampe, la lumière) sur le micro-ondes. Allumer/éteindre (l'éclairage de la hotte, la lampe de la hotte). Régler (la luminosité, le niveau d'éclairage, le niveau de la lampe) du micro-ondes à [faible, élevé]. Allumer/éteindre (la hotte, le ventilateur, le ventilateur de la hotte) du micro-ondes [nom de l'appareil]. Allumer/éteindre (la hotte, le ventilateur de la hotte). Régler la vitesse (de la hotte, du ventilateur, du ventilateur de la hotte) du micro-ondes à [basse, moyenne, élevée, pleine puissance]. 	<ul style="list-style-type: none"> Allumer/éteindre (l'éclairage, la lampe) du micro-ondes. Allumer/éteindre (l'éclairage de la hotte, la lampe de la hotte). Régler (la luminosité, le niveau d'éclairage, le niveau de la lampe) du micro-ondes à [faible, élevé]. Allumer/éteindre (la hotte, le ventilateur, le ventilateur de la hotte) du micro-ondes. Allumer/éteindre (la hotte, le ventilateur de la hotte). Régler la vitesse (de la hotte, du ventilateur, du ventilateur de la hotte) du micro-ondes à [basse, moyenne, élevée, pleine puissance].
	<ul style="list-style-type: none"> Cuire une pizza. Réchauffer une pizza. Je veux cuire une pizza. Pouvez-vous cuire une pizza? 	<ul style="list-style-type: none"> Cuire une pizza pour deux. Réchauffer une pizza pour deux. Je veux cuire une pizza pour deux. Pouvez-vous cuire une pizza pour deux?

 **REMARQUE**

- Pour des raisons de sécurité, vous ne pouvez pas allumer le four à micro-ondes à distance.
- Voici le menu disponible pour la fonction Envoyer une recette de cuisson automatique.

Aliment	Quantité	Instructions
Popcorn (Maïs soufflé)	85 g (3,0 oz)	Ne faites chauffer qu'un seul sachet de maïs soufflé pour micro-ondes à la fois. Utilisez de prudence lorsque vous ouvrez le sachet après l'avoir retiré du four.
	99 g (3,5 oz)	
Pommes de terre	2 pommes de terre	Piquez chaque pomme de terre plusieurs fois à l'aide d'une fourchette. Disposez-les en étoile sur le plateau tournant. Après la cuisson, laissez les pommes de terre reposer de 3 à 5 minutes.
	4 pommes de terre	
Pizza	2 pointes	Disposez des pointes de pizza, bout pointu vers le centre, sur une assiette adaptée aux micro-ondes. Veillez à ce que les pointes ne se chevauchent pas. Ne couvrez pas.
	4 pointes	
Épinard	2 portions	Lavez et nettoyez les épinards. Placez les épinards dans un bol convenant aux micro-ondes. Ajoutez de 1 à 4 c. à soupe d'eau (1 c. à soupe par portion). Couvrez au cours de la cuisson et remuez ensuite.
	4 portions	
Riz brun	1 portion	Mettez 125 mL (½ tasse) de riz brun et 250 mL (1 tasse) d'eau (pour deux portions) ou 250 mL (1 tasse) de riz brun et 500 mL (2 tasses) d'eau (pour quatre portions) dans un bol pour micro-ondes. Remuez bien au préalable, et faites gonfler à l'aide d'une fourchette après. Laissez reposer cinq minutes avant de servir.
	2 portions	
Filets de poisson	1 portion	Placez les filets frais (morue, goberge, etc.) dans un plat, puis couvrez d'un film plastique. Placez le plat au centre du plateau tournant.
	2 portions	

Configuration de votre nouveau four à micro-ondes

Aliment	Quantité	Instructions
Pépites de poulet	1 portion	Placez une serviette en papier sur une assiette et disposez les pépites surgelées en étoile sur la serviette. Ne couvrez pas. Laissez reposer une minute après la cuisson.
	2 portions	 REMARQUE Reportez-vous aux directives sur l'emballage pour la portion et la quantité de nourriture.
Frites	1 portion	Placez deux serviettes en papier sur une assiette micro-ondable et disposez les frites surgelées sur les serviettes, sans qu'elles se chevauchent. Épongez les frites avec d'autres serviettes en papier après les avoir retirées du four. Laissez reposer pendant 1 minute.
	2 portions	 REMARQUE Reportez-vous aux directives sur l'emballage pour la portion et la quantité de nourriture.
Beurre fondu	1 bâtonnet	Retirez le beurre de son emballage et coupez-le en deux dans le sens de la largeur. Placez le beurre dans un plat et couvrez-le avec du papier ciré.
	2 bâtonnets	Remuez bien le beurre lorsqu'il a fondu et laissez reposer pendant 1 à 2 minutes.
Fromage à la crème ramolli	1 paquet	Retirez le fromage à la crème de son emballage et placez-le dans un récipient micro-ondable. Coupez en deux dans le sens vertical. Laissez reposer pendant 2 minutes.

Connectivité automatique

La fonction Connectivité automatique vous permet de connecter rapidement la hotte au moyen du Wi-Fi à une table de cuisson Samsung compatible une fois que la hotte et la table de cuisson ont été jumelées.

Pour activer la fonction, appuyez sur le bouton Connectivité automatique de l'application SmartThings.

Pour déconnecter la hotte et la table de cuisson, appuyez à nouveau sur le bouton Connectivité automatique. Lorsque la hotte et la table de cuisson sont connectées, le ventilateur de la hotte s'allume automatiquement une fois que la table de cuisson est allumée. Le ventilateur de la hotte s'éteint également automatiquement lorsque la table de cuisson est éteinte.

REMARQUE

La fonction Connectivité automatique peut ne pas fonctionner normalement lorsque la température est réglée à un niveau élevé.

Utilisation du four micro-ondes

Micro-ondes

Ce four à micro-ondes vous permet de régler deux étapes de cuisson différentes, chaque étape possédant une durée et une puissance propres. Le niveau de puissance vous permet de régler la chaleur de 1 (chaud) à 10 (élevé).

Niveaux de puissance

Les dix niveaux de puissance vous permettent de choisir le niveau de puissance optimal pour vos besoins de cuisson.

Niveau de puissance		Description	Niveau de puissance		Description
1	10	Chaud	6	60	Mijotage
2	20	Faible	7	70	Moyennement élevé
3	30	Décongélation	8	80	Réchauffage
4	40	Moyennement faible	9	90	Sauté
5	50	Moyen	10	100	Élevé

Cuisson en une étape



1. En mode veille, utilisez les boutons du **pavé numérique** pour définir un temps de cuisson. Vous pouvez saisir un temps de cuisson compris entre 1 seconde et 99 minutes et 99 secondes. Pour régler une durée supérieure à 1 minute, saisissez également les secondes. (Par exemple, pour régler le temps de cuisson à 20 minutes, entrez **2, 0, 0, 0**.) Si vous n'avez pas besoin de régler la puissance, il vous suffit d'appuyer sur le bouton **Start** (Démarrer). Le micro-ondes se met automatiquement en marche à la puissance élevée.
2. Si vous souhaitez régler la puissance à un niveau autre qu'élevé, appuyez sur le bouton **OK**.
3. Appuyez sur les boutons du **pavé numérique** qui correspondent au niveau de puissance que vous souhaitez utiliser.
4. Appuyez sur le bouton **Start** (Démarrer). Si vous souhaitez augmenter le temps de cuisson, utilisez le bouton **+30 s**. Vous pouvez ajuster le temps de cuisson pendant que le micro-ondes est en marche.

Cuisson en plusieurs étapes (deux étapes maximum)

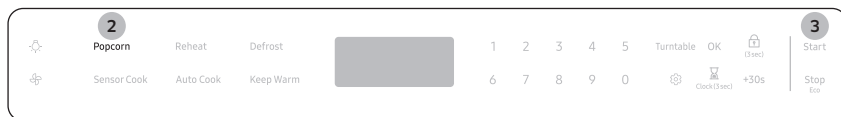
Ce four à micro-ondes vous permet de régler deux étapes de cuisson différentes, chaque étape possédant une durée et une puissance propres. Le bouton de puissance vous permet de régler la chaleur de Chaud à Élevé.

1. Suivez les étapes 1, 2 et 3 de la section **Cuisson en une étape**.
2. Appuyez sur le bouton **OK** pour passer à la seconde étape.
3. Suivez les étapes 1, 2, 3 et 4 de la section **Cuisson en une étape**.

Utilisation du four micro-ondes

Popcorn (Maïs soufflé)

Vous pouvez facilement faire du maïs soufflé à l'aide du bouton **Popcorn (Maïs soufflé)**. Vous n'avez pas besoin de régler le temps de cuisson ou le niveau de puissance.



1. Mettez un sachet de maïs non soufflé sur la plaque.
2. Appuyez sur le bouton **Popcorn** (Maïs soufflé).
3. Appuyez sur le bouton **Start** (Démarrer). Le four à micro-ondes fonctionne automatiquement en détectant le maïs soufflé à l'intérieur. (85-99 g [3-3,5 oz])

Réchauffage

Vous pouvez facilement réchauffer les aliments en appuyant sur le bouton **Reheat (Réchauffage)**. Vous n'avez pas besoin de régler le temps de cuisson ou le niveau de puissance.

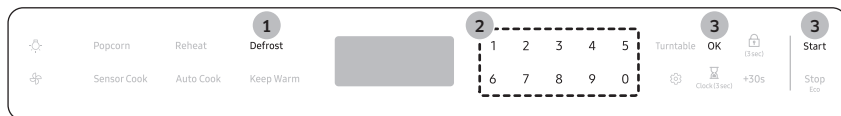


1. Placez les aliments sur la plaque.
2. Appuyez sur le bouton **Reheat (Réchauffage)**.
3. Sélectionnez l'aliment en appuyant sur les boutons du **pavé numérique** (1-3).
4. Appuyez sur le bouton **OK** ou **Start (Démarrer)**. Le four à micro-ondes fonctionne automatiquement en détectant l'aliment à l'intérieur.

Aliment		Quantité	Instructions
1	Ragoût	1 à 4 portions	Couvrez l'assiette avec un couvercle ou un film plastique perforé. Si les aliments ne sont pas suffisamment chauds après l'utilisation de la fonction de Réchauffage cuisson avec capteur , ajoutez du temps et augmentez la puissance. Remuez avant de servir. Contenu : plats mijotés, aliments conservés au frais.
2	Assiette-repas	1 à 4 portions	Utilisez uniquement des aliments précuits et conservés au frais. Couvrez l'assiette avec un film plastique perforé ou du papier ciré que vous prendrez soin de replier sous l'assiette. Si les aliments ne sont pas suffisamment chauds après l'utilisation de la fonction Sensor Cooking Reheat (Réchauffage cuisson avec capteur) , ajoutez du temps et augmentez la puissance. Ingrédients : 85 à 113 g (3 à 4 oz) de viande, de volaille ou de poisson (jusqu'à 170 g [6 oz], os/arêtes compris), 125 mL (½ tasse) de féculents (pommes de terre, pâtes, riz, etc.), 125 mL (½ tasse) de légumes (environ 85 à 113 g [3 à 4 oz])
3	Pâtes	1 à 4 portions	Couvrez l'assiette avec un couvercle ou un film plastique perforé. Si les aliments ne sont pas suffisamment chauds après l'utilisation de la fonction de Réchauffage cuisson avec capteur , ajoutez du temps et augmentez la puissance. Remuez avant de servir. Contenu : Pâtes - spaghetti ou ravioli en conserve.

Décongélation

Pour décongeler les aliments, entrez leur poids; le micro-ondes réglera alors automatiquement la durée de décongélation, la puissance et le temps de repos.



1. Appuyez sur le bouton **Defrost** (Décongeler).
2. Appuyez sur les boutons du **pavé numérique** pour entrer directement le poids des aliments. (0,1 - 6,0 lb, 100 - 2 700 g. Voir le tableau ci-dessous.)
3. Appuyez sur le bouton **OK** ou **Start (Démarrer)**.
4. Le four émet un signal sonore pendant la décongélation. Ouvrez la porte du four et retournez les aliments.
Si vous ne retournez pas les aliments lorsque le four émet un signal sonore, le four à micro-ondes continue de fonctionner jusqu'à ce que le temps de cuisson soit écoulé.

Aliment	Quantité	Instructions
Rôti de bœuf, porc	1,1 à 2,7 kg (2,5 à 6,0 lb)	Placez la viande dans le four, côté gras vers le bas. Après chaque étape, retournez les aliments et recouvrez toutes les parties chaudes d'étroites bandes d'aluminium. Couvrez et laissez reposer de 10 à 20 minutes.
Biftecks, côtelettes, poissons	227 g à 1,4 kg (0,5 à 3,0 lb)	Après chaque étape de décongélation, changez la disposition des aliments sur le plat. Dès que certains morceaux sont chauds ou décongelés, recouvrez-les d'étroites bandes d'aluminium. Retirez tous les morceaux presque décongelés. Couvrez et laissez reposer de 5 à 10 minutes.

Aliment	Quantité	Instructions
Viande hachée	227 g à 1,4 kg (0,5 à 3,0 lb)	Après chaque étape de décongélation, retirez tous les morceaux presque décongelés. Couvrez d'une feuille d'aluminium et laissez reposer de 5 à 10 minutes.
Poulet entier	1,1 à 2,7 kg (2,5 à 6,0 lb)	Avant de congeler la volaille, retirez les abats. Lorsque vous décongelez la volaille, démarrez la décongélation avec la poitrine vers le bas. Après la première étape de décongélation, retournez le poulet et recouvrez toutes les parties chaudes d'étroites bandes d'aluminium. Faites de même après la seconde étape. Couvrez et laissez reposer de 30 à 60 minutes au réfrigérateur.
Morceaux de poulet	227 g à 1,4 kg (0,5 à 3,0 lb)	Après chaque étape de décongélation, modifiez la disposition ou retirez les morceaux presque décongelés. Laissez reposer de 10 à 20 minutes.

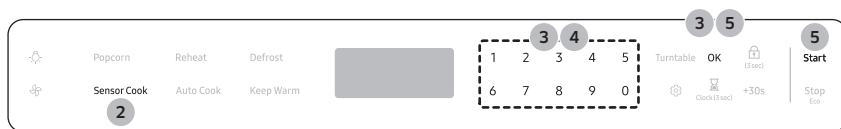
REMARQUE

Vérifiez les aliments lorsque le four émet un signal sonore. Après l'étape finale, il est possible que de petites parties soient encore congelées. Laissez-les reposer pour que la décongélation se poursuive. Les aliments sont décongelés une fois les cristaux de glace fondus. Protéger les rôtis et les biftecks avec de fines bandelettes d'aluminium empêche que les parties les plus fines ne cuisent avant que le centre ne soit entièrement décongelé. Utilisez d'étroites bandes d'aluminium pour recouvrir les extrémités et les parties peu charnues des aliments.

Utilisation du four micro-ondes

Cuisson par capteur

Les boutons Sensor Cook (Cuisson par capteur) vous permettent de cuisiner vos aliments préférés en utilisant des niveaux de puissance et des temps prédéfinis. Si les aliments ne sont pas assez cuits après l'utilisation de la fonction Cuisson par capteur, terminez le processus de cuisson en faisant cuire les aliments pendant une période supplémentaire.



1. Placez les aliments sur la plaque.
2. Appuyez sur le bouton **Sensor Cook** (Cuisson avec capteur).
3. Sélectionnez la catégorie des aliments en appuyant sur les boutons du **pavé numérique** (1-4), puis appuyez sur le bouton **OK**.
4. Sélectionnez l'aliment en appuyant sur les boutons du **pavé numérique** au besoin.
5. Appuyez sur le bouton **OK** ou **Start (Démarrer)**. Le four à micro-ondes fonctionne automatiquement en détectant l'aliment à l'intérieur.

Catégorie	Aliment	Quantité	Instructions
1	Pomme de terre	-	Piquez chaque pomme de terre plusieurs fois à l'aide d'une fourchette. Disposez-les en étoile sur le plateau tournant. Après la cuisson, laissez les pommes de terre reposer de 3 à 5 minutes. Laissez le four micro-ondes refroidir pendant au moins 5 minutes avant toute nouvelle utilisation.

Catégorie	Aliment	Quantité	Instructions		
2	Pizza	-	1 à 4 pointes	Disposez 1 à 4 pointes de pizza dans un plat micro-ondable, les extrémités les plus larges des tranches vers le bord extérieur du plat. Veillez à ce que les pointes ne se chevauchent pas. Ne couvrez pas. Laissez le four à micro-ondes refroidir pendant au moins 5 minutes avant toute nouvelle utilisation.	
3	Cuisson	1	Boisson	250 mL (1 tasse)	Versez le liquide dans une tasse graduée ou un verre mesureur. Placez la boisson dans le four micro-ondes. Une fois le temps de chauffe écoulé, remuez bien. Laissez le four refroidir pendant au moins 5 minutes avant toute nouvelle utilisation.
		2	Poitrines de poulet	227 à 680 g (8 à 24 oz)	Piquez les poitrines de poulet trois fois avec un couteau. Disposez les poitrines de poulet dans un plat pour micro-onde et couvrez le tout d'un film plastique perforé. Faites cuire à une température interne de 74 °C (165 °F). Laissez reposer pendant cinq minutes.
		3	Déjeuner congelé	113 à 227 g (4 à 8 oz)	Suivez les consignes figurant sur l'emballage pour connaître la méthode de couverture et le temps de repos. Utilisez ce bouton pour les sandwichs, petits-déjeuners, crêpes, gaufres, etc., surgelés. Laissez le four micro-ondes refroidir pendant au moins cinq minutes avant toute nouvelle utilisation.

Catégorie		Aliment		Quantité	Instructions
3	Cuisson	4	Repas congelé	340 à 454 g (12 à 16 oz)	Déballiez les aliments et suivez les consignes figurant sur l'emballage pour connaître la méthode de couverture et le temps de repos. Laissez le four à micro-ondes refroidir pendant au moins 5 minutes avant toute nouvelle utilisation.
4	Légumes	1	Légumes frais	250 mL à 1 L (1 à 4 tasses)	Placez les légumes frais dans un plat micro-ondable en céramique, en verre ou en plastique et ajoutez 30 à 60 mL (2 à 4 c. à soupe) d'eau. Couvrez d'un couvercle ou d'un film plastique perforé. Remuez avant de laisser reposer. Laissez le four à micro-ondes refroidir pendant au moins 5 minutes avant toute nouvelle utilisation.
		2	Légumes congelés	1 à 4 portions	Placez les légumes surgelés dans un plat micro-ondable en céramique, en verre ou en plastique et ajoutez 30 à 60 mL (2 à 4 c. à soupe) d'eau. Couvrez d'un couvercle ou d'un film plastique perforé pour cuire. Remuez, puis laissez reposer de 3 à 5 minutes. Laissez le four à micro-ondes refroidir pendant au moins 5 minutes avant toute nouvelle utilisation.

Cuisson automatique

Le bouton Auto Cook (Cuisson automatique) vous permet de cuisiner vos aliments préférés en utilisant des niveaux de puissance et des temps prédéfinis. Si les aliments ne sont pas assez cuits après l'utilisation de la fonction Cuisson automatique, terminez le processus de cuisson en faisant cuire les aliments pendant une période supplémentaire.



1. Placez les aliments sur la plaque.
2. Appuyez sur le bouton **Auto Cook (Cuisson automatique)**.
3. Sélectionnez la catégorie d'aliments en appuyant sur les boutons du **pavé numérique** (1-4), puis appuyez sur le bouton **OK**.
4. Sélectionnez les aliments en appuyant sur les boutons du **pavé numérique**, puis appuyez sur le bouton **OK**.
5. Sélectionnez la quantité de nourriture en appuyant sur les boutons du **pavé numérique** au besoin.
6. Appuyez sur le bouton **OK** ou sur le bouton **Start (Démarrer)** pour amorcer la cuisson. Le four à micro-ondes fonctionnera automatiquement selon une durée pré-programmée.

REMARQUE

Vous pouvez également utiliser certains éléments de cuisson automatique au moyen de la commande vocale. Consultez la rubrique **Commande vocale** à la page 18 du présent manuel.

Utilisation du four micro-ondes

Catégorie	Aliment	Quantité	Instructions
1	Dessert maison	1	Gâteau quatre-quarts aux noix
			1 portion
			2
			Pain aux bananes
		1 portion (6 morceaux)	<p>Ingrédients Bananes 3, Mélange à crêpe 120 g, Lait 120 g, Œuf 1, Sirop de malt 30 mL (2 c. à soupe)</p> <ol style="list-style-type: none"> 1. Hachez les bananes. 2. Combinez le mélange à crêpe, le lait, l'œuf et le sirop de malt dans un bol. 3. Ajoutez les bananes et mélangez bien. 4. Versez le mélange dans six moules en papier. 5. Placez ceux-ci dans le four à micro-ondes et sélectionnez « Pain bananes » sous « Dessert maison ». 6. Après la cuisson, laissez reposer de 2 à 3 minutes.

Catégorie	Aliment	Quantité	Instructions
1	Dessert maison	3	Gâteau éponge
			1 portion
			4
			Brownie
		1 portion	<p>Ingrédients Farine 90 g, Beurre (fondu) 125 mL (½ tasse), Sucre 230 g, Œufs 2, Poudre de cacao 40 g</p> <ol style="list-style-type: none"> 1. Combinez le beurre, les œufs battus et le sucre dans un bol. 2. Ajoutez la farine et la poudre de cacao, puis continuez à mélanger. 3. Versez le mélange dans un bol en plastique ou en verre graissé. 4. Placez le bol dans le four à micro-ondes et sélectionnez « Brownie » sous « Dessert maison ». 5. Après la cuisson, laissez reposer de 20 à 30 minutes.

Catégorie		Aliment		Quantité	Instructions
1	Dessert maison	5	Flan	1 portion (3 morceaux)	Ingrédients Lait 250 g, Sucre 40 g, Œufs 2
				<ol style="list-style-type: none"> 1. Cassez les deux œufs dans un bol. Battez légèrement les œufs à l'aide d'un fouet de cuisine. Ne laissez pas l'extrémité du fouet quitter le fond du bol afin de ne pas trop mousser le mélange. 2. Combinez le lait et le sucre dans l'autre bol. 3. Ajoutez le lait aux œufs battus tout en mélangeant au fouet. 4. Filtrez le mélange d'œufs avec un tamis fin. Raclez le fond du tamis avec une spatule. À l'aide d'une cuillère, retirez toute mousse à la surface. 5. Versez le mélange dans des coupes à pouding au lait. 6. Placez celles-ci dans le four à micro-ondes et sélectionnez « Flan » sous « Dessert maison ». 7. Après la cuisson, réfrigérez et servez. 	
6	Gâteau tasse au chocolat	1 portion	Ingrédients Beurre 30 g, Sucre 60 g, Œuf 1, Crème épaisse 40 g, Farine 25 g, Poudre de cacao 15 g, Vanille 1,5 g, Grains de chocolat mi-sucré 50 g	<ol style="list-style-type: none"> 1. Combinez le beurre, l'œuf et la crème dans une tasse pour former un mélange homogène. 2. Ajoutez la farine et le sucre, puis continuez à mélanger. 3. Ajoutez le cacao et la vanille, et mélangez bien. 4. Incorporez les grains de chocolat. 5. Placez la tasse dans le four à micro-ondes et sélectionnez « Tasse gâteau choco » sous « Dessert maison ». 6. Après la cuisson, laissez reposer de 2 à 3 minutes. 	

Catégorie		Aliment		Quantité	Instructions
1	Dessert maison	7	Gâteau tasse	1 portion	Ingrédients Beurre 30 g, Sucre 60 g, Œuf 1, Farine 50 g, Lait 30 g, Vanille 6 g, Poudre d'amande 3 g, Poudre à pâte 1,5 g
				<ol style="list-style-type: none"> 1. Combinez le beurre, l'œuf et le lait dans une tasse pour former un mélange homogène. 2. Ajoutez la farine, le sucre et la poudre à pâte, puis continuez à mélanger. 3. Ajoutez la poudre d'amande, la vanille et le lait et mélangez bien. 4. Placez la tasse dans le four à micro-ondes et sélectionnez « Gâteau tasse » sous « Dessert maison ». 5. Après la cuisson, laissez reposer de 2 à 3 minutes. 	
8	Café au lait	1 portion	Ingrédients Café instantané 2 g, Eau 50 g, Lait 125 g	<ol style="list-style-type: none"> 1. Mélangez le café et l'eau dans une tasse. 2. Versez le lait dans une autre tasse. 3. Placez le mélange de café dans le four à micro-ondes et sélectionnez « Café au lait » sous « Dessert maison ». 4. Au signal sonore, sortez la tasse. 5. Placez le lait dans le four à micro-ondes et appuyez sur le bouton Start (Démarrer). 6. Après la cuisson, mélangez bien et servez. 	

Utilisation du four micro-ondes

Catégorie		Aliment		Quantité	Instructions
1	Dessert maison	9	Thé vert au lait	1 portion	Ingrédients Thé vert en poudre 6 g, Sucre 15 g, Lait 250 g
				<ol style="list-style-type: none"> Mélangez tous les ingrédients dans une tasse. Placez la tasse dans le four à micro-ondes et sélectionnez « Thé vert au lait » sous « Dessert maison ». Après la cuisson, mélangez bien et servez. 	
		10	Thé au lait	1 portion	Ingrédients Sachets de thé noir 2, Eau 60 g, Lait 125 g
<ol style="list-style-type: none"> Placez le sachet de thé noir et l'eau dans une tasse. Versez le lait dans une autre tasse. Placez la tasse dans le four à micro-ondes et sélectionnez « Thé au lait » sous « Dessert maison ». Au signal sonore, sortez la tasse. Placez le lait dans le four à micro-ondes et appuyez sur le bouton Start (Démarrer). Après la cuisson, mélangez bien et servez. 					

Catégorie		Aliment		Quantité	Instructions	
2	Cuisson santé	1	Épinard	1	1 portion	Lavez et nettoyez les épinards. Placez les épinards dans un bol convenant aux micro-ondes. Ajoutez 15 à 60 mL (1 à 4 c. à soupe) d'eau (15 mL [1 c. à soupe] par portion). Couvrez au cours de la cuisson et remuez ensuite.
				2	2 portions	
				3	3 portions	
				4	4 portions	
		2	Courge	1	454 à 907 g (1 à 2 lb)	Coupez la courge en deux et retirez les graines. Placez la courge côté coupé vers le bas dans un plat micro-ondable et couvrez d'un film plastique. Au besoin, ajoutez 60 mL (¼ tasse) d'eau.
				2	907 à 1 361 g (2 à 3 lb)	
		3	Riz brun	1	1 portion	Placez 125 mL (½ tasse) de riz brun et 250 mL (1 tasse) d'eau (pour deux portions) ou 250 mL (1 tasse) de riz brun et 500 mL (2 tasses) d'eau (pour quatre portions) dans un bol micro-ondable. Remuez bien avant et faites gonfler à l'aide d'une fourchette après. Laissez reposer cinq minutes avant de servir.
				2	2 portions	
		4	Flocons d'avoine	1	1 paquet	Suivez les consignes figurant sur l'emballage pour la quantité d'eau recommandée. Remuez bien avant et après la cuisson.
				2	2 paquets	
5	Quinoa	3	1 portion	Suivez les consignes figurant sur l'emballage pour la quantité d'eau recommandée. Lorsque le micro-ondes émet un signal sonore, remuez bien et redémarrez le micro-ondes.		
		4	2 portions			

Catégorie		Aliment		Quantité		Instructions		
2	Cuisson santé	6	Morceaux de poulet avec os	1	2 portions	Badigeonnez les morceaux de poulet d'huile et assaisonnez. Disposez les morceaux de poulet dans une assiette, les portions les plus charnues vers l'extérieur du plat, puis couvrez de papier ciré. Placez le plat au centre du plateau tournant.		
				2	4 portions			
			7	Filets de poisson frais	1		1 portion	
					2		2 portions	
		8	Filet de saumon frais	1	1 portion	Placez les filets de saumon dans un plat, puis couvrez avec un film plastique. Placez le plat au centre du plateau tournant.		
				2	2 portions			
		9	Crevettes fraîches	1	2 portions	Placez les crevettes dans un plat, puis couvrez avec un film plastique. Placez le plat au centre du plateau tournant.		
				2	4 portions			
		3	Repas pour les enfants	1	Pépites de poulet (sur-gelées)	1	1 portion	Placez une serviette en papier sur une assiette et disposez les pépites en étoile sur la serviette. Ne couvrez pas. Laissez reposer 1 minute après la cuisson. REMARQUE Reportez-vous aux directives sur l'emballage pour la portion et la quantité de nourriture.
						2	2 portions	

Catégorie		Aliment		Quantité		Instructions
3	Repas pour les enfants	2	Frites (sur-gelées)	1	1 portion	Placez deux serviettes en papier sur une assiette micro-on-dable et disposez les frites sur les serviettes, sans qu'elles se chevauchent. Épongez les frites avec d'autres serviettes en papier après les avoir retirées du four. Laissez reposer pendant 1 minute. REMARQUE Reportez-vous aux directives sur l'emballage pour la portion et la quantité de nourriture.
				2	2 portions	
		3	Sandwichs surgelés (dans manchon pour texture croustillante), emballage de 255 g (9 oz)	1	1 sandwich	Placez le sandwich surgelé dans un manchon micro-ondable pour texture croustillante (qui se trouve dans l'emballage) et placez sur une assiette micro-ondable. Retirez du manchon pour texture croustillante. Laissez reposer pendant 2 minutes après la cuisson.
				2	2 sandwichs	
4	Hot dogs	1	2 hot dogs	Percez les saucisses et placez-les sur une assiette. Lorsque le four émet un signal sonore, ajoutez les petits pains et redémarrez le four. Laissez reposer pendant 1 minute après la cuisson. REMARQUE Pour une meilleure texture, les pains devraient être ajoutés après le signal sonore du four.		
		2	4 hot dogs			

Utilisation du four micro-ondes

Catégorie		Aliment		Quantité	Instructions
4	Collations	1	Bâtonnets de fromage (surgelés)	1	5 ou 6 morceaux (1 portion) Disposez les bâtonnets de fromage en étoile sur une assiette. Ne couvrez pas. Laissez reposer de 1 à 2 minutes après la cuisson.
				2	7 à 10 morceaux (2 portions)
		2	Ailes de poulet	1	142 à 170 g (5 à 6 oz; 2 portions) Utilisez des ailes de poulet pré-cuites et réfrigérées. Disposez les ailes de poulet en étoile sur l'assiette et couvrez de papier ciré. Laissez reposer de 1 à 2 minutes.
				2	142 à 170 g (7 à 8 oz; 4 portions)
3	Nachos	1	1 portion Disposez les nachos sur une assiette, sans qu'ils se chevauchent. Saupoudrez uniformément de fromage. Contenu : 500 mL (2 tasses) croustilles tortillas 75 mL (1/3 tasse) fromage râpé		
4	Pelures patates	1	1 pomme de terre cuite Coupez la pomme de terre en quartiers. Retirez ou découpez l'intérieur, en laissant environ 6 mm (1/4 po) de pelure. Disposez les pelures en étoile sur l'assiette. Saupoudrez de bacon, d'oignon et de fromage. Ne couvrez pas. Laissez reposer de 1 à 2 minutes.		
		2	2 pommes de terre cuites		

Catégorie		Aliment		Quantité	Instructions
5	Faire ramollir/fondre	1	Beurre fondu	1	1 bâtonnet Retirez le beurre de son emballage et coupez-le en deux dans le sens de la largeur. Placez le beurre dans un plat et couvrez-le avec du papier ciré. Remuez bien après et laissez reposer de 1 à 2 minutes.
				2	2 bâtonnets
		2	Chocolat fondu	1	250 mL (1 tasse) de copeaux ou 1 carré Mettez les copeaux ou les carrés de chocolat dans un récipient micro-ondable. Lorsque le four émet un signal sonore, remuez le chocolat et redémarrez le four. Remuez à nouveau et laissez reposer 1 minute.
		3	Beurre ramolli	1	1 bâtonnet (113 g [1/4 lb]) Retirez le beurre de son emballage et coupez-le en deux verticalement. Placez le beurre dans un plat et couvrez le tout de papier ciré.
4	Fromage à la crème ramolli	1	1 paquet (227 g [8 oz]) Retirez le fromage à la crème de son emballage et placez-le dans un récipient micro-ondable. Coupez en deux dans le sens vertical. Laissez reposer pendant 2 minutes.		

Maintien au chaud

Vous pouvez maintenir les aliments au chaud dans votre four à micro-ondes pendant une période pouvant aller jusqu'à 99 minutes et 99 secondes.



1. Appuyez sur le bouton **Keep Warm** (Maintien au chaud).
2. Saisissez la durée de maintien au chaud en appuyant sur les boutons du **pavé numérique**. Si vous ne réglez pas la durée, votre four conservera la fonction Warm Hold (Maintien au chaud) pendant 99 minutes et 99 secondes.
3. Appuyez sur le bouton **Start (Démarrer)**.

REMARQUE

- **Keep Warm** (Maintien au chaud) fonctionne pendant au plus 99 minutes et 99 secondes.
- Le ventilateur protège le four à micro-ondes contre un excès de chaleur. Il s'enclenche automatiquement s'il détecte une surchauffe. Si vous avez activé le ventilateur, il arrive que vous ne puissiez plus l'éteindre. Il s'arrêtera automatiquement une fois que tous les composants internes auront refroidi.
- Les aliments cuits couverts doivent également rester couverts pendant l'utilisation de la fonction **Keep Warm (Maintien au chaud)**.
- Les pâtisseries (tartes, chaussons aux pommes, etc.) ne doivent pas être couvertes pendant l'utilisation de la fonction **Keep Warm (Maintien au chaud)**.
- Les repas entiers maintenus au chaud sur une grande assiette peuvent être couverts pendant l'utilisation de la fonction **Keep Warm (Maintien au chaud)**.

Le tableau ci-dessous présente les quantités recommandées pour la fonction Keep Warm (Maintien au chaud), classées par type d'aliment.

Type d'aliment	Quantité recommandée
Liquides	250 à 500 mL (1 à 2 tasses)
Aliments secs	142 à 284 g (5 à 10 oz)

Guide des récipients

Pour cuire des aliments dans votre four à micro-ondes, ces dernières doivent pénétrer les aliments sans être réfléchies ou absorbées par le récipient utilisé. Par conséquent, il est important de choisir un récipient qui permet aux micro-ondes de pénétrer les aliments et qui est aussi micro-ondable. Les listes suivantes énumèrent les différents types de récipients et indiquent si et comment le récipient devrait être utilisé dans un four à micro-ondes.

Ustensiles de cuisine recommandés

- **Bois et plats en verre et en vitrocéramique** – Utilisez-les pour le chauffage ou la cuisson.
- **Film plastique micro-ondable** – Utilisez-le pour couvrir les aliments. Ménagez une petite cheminée pour permettre à la vapeur de s'échapper; évitez d'appliquer le film directement sur les aliments.
- **Papier ciré** – Utilisez-le comme couvercle pour éviter les éclaboussures.
- **Essuie-tout et serviettes en papier** – Utilisez-les pour faire chauffer et couvrir les aliments pendant une courte durée. Ils absorbent l'excédent de liquide et préviennent les projections. N'utilisez pas de serviettes en papier recyclé, car elles peuvent contenir des particules métalliques et s'enflammer.
- **Assiettes et gobelets en carton** – Utilisez-les pour réchauffer pendant un court laps de temps à basse température. N'utilisez pas de carton recyclé, car il peut contenir des particules métalliques et s'enflammer.
- **Thermomètres** – N'utilisez que ceux étiquetés « **Adapté aux micro-ondes** » et suivez toutes les instructions. Mesurez la température des aliments à différents endroits. Les thermomètres classiques peuvent être utilisés une fois les aliments retirés du four.

Éléments à utilisation limitée

- **Papier d'aluminium** – Utilisez d'étroites bandes de papier d'aluminium pour éviter que les zones exposées ne soient trop cuites. Usez de prudence, car une utilisation excessive de papier d'aluminium risque d'endommager votre four.
- **Ustensiles en céramique, porcelaine ou grès** – N'utilisez que ceux portant la mention « **Adapté aux micro-ondes** ». Si la mention n'est pas précisée, effectuez un essai pour vous assurer qu'ils peuvent être utilisés sans danger. N'utilisez jamais de plat comportant un ornement métallique.
- **Ustensiles en plastique** – N'utilisez que ceux étiquetés « **Adapté aux micro-ondes** ». Les autres types de plastiques risquent de fondre.
- **Ustensiles en paille, osier ou bois** – Utilisez-les uniquement pour réchauffer des aliments pendant un court laps de temps, car ils risquent de s'enflammer.

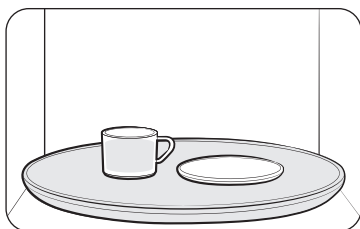
Guide des récipients

Non recommandé

- **Récipients et bouteilles en verre** – Le verre ordinaire est trop mince pour pouvoir être utilisé dans un micro-ondes et risque donc d'éclater.
- **Sacs en papier** – Ils risquent de prendre feu, hormis les sachets de pop-corn spécialement conçus pour une utilisation aux micro-ondes.
- **Assiettes et tasses en mousse de polystyrène** – Elles risquent de fondre et de laisser un résidu toxique sur les aliments.
- **Emballages et récipients pour aliments en plastique** – Les emballages de type contenant de margarine risquent de fondre dans le micro-ondes.

Mise à l'épreuve des ustensiles

Si vous avez un doute sur le caractère micro-ondable d'un récipient, vous pouvez effectuer cette mise à l'épreuve :



1. Remplissez d'eau une tasse à mesurer en verre d'une capacité de 250 mL (1 tasse) et placez-la à l'intérieur du four, à côté du récipient à mettre à l'épreuve.
2. Réglez le micro-ondes sur 1 minute à l'aide des boutons du **pavé numérique**, puis appuyez sur le bouton **Start** (Démarrer). Cette opération permet de chauffer la tasse en verre et le plat pendant 1 minute à puissance élevée.

Lorsque le four s'arrête, l'eau devrait être chaude et le récipient mis à l'épreuve ne devrait pas être chaud.

Si le récipient est chaud, c'est qu'il absorbe les micro-ondes et ne doit pas être utilisé dans le four.

Guide de cuisson

Les micro-ondes pénètrent en fait les aliments et sont attirées et absorbées par les molécules d'eau, de gras et de sucre dans la nourriture. Les micro-ondes engendrent un mouvement rapide des molécules. Le mouvement rapide de ces molécules crée de la friction et la chaleur qui en résulte cuit les aliments.

Techniques de cuisson

Brassage

Remuez les aliments, comme des mijotés et des légumes, au cours de la cuisson afin de répartir uniformément la chaleur. Les aliments dans la partie extérieure du plat absorbent plus d'énergie et se réchauffent plus rapidement, alors remuez de l'extérieur vers le centre. Le four s'éteint automatiquement lorsque vous ouvrez la porte pour remuer les aliments.

Disposition

Disposez les aliments de forme irrégulière, comme les morceaux de poulet ou les côtelettes, avec la partie plus épaisse et charnue tournée vers l'extérieur du plateau tournant, où ils recevront davantage de micro-ondes. Pour prévenir la cuisson excessive, placez les parties minces ou délicates vers le centre du plateau tournant.

Protection

Recouvrez les aliments d'étroites bandes de papier d'aluminium pour prévenir la cuisson excessive. Les parties à protéger comprennent les extrémités d'ailes et de cuisses de volaille et les coins des plats de cuisson carrés. Utilisez seulement de petites quantités de papier d'aluminium. Des quantités plus grandes peuvent endommager le four.

Rotation

Retournez les aliments à mi-cuisson pour exposer toutes les parties aux micro-ondes. Cela est particulièrement important pour les aliments plus gros, comme les rôtis.

Repos

La nourriture cuite aux micro-ondes accumule la chaleur interne et continue de cuire pendant quelques minutes après l'arrêt du four. Laissez les aliments reposer pour terminer la cuisson, surtout les aliments comme les rôtis et les légumes entiers. Les rôtis ont besoin de ce délai pour terminer la cuisson au centre sans trop cuire les parties extérieures. Tous les liquides, comme les soupes ou le chocolat chaud, devraient être remués ou brassés une fois la cuisson terminée. Laissez les liquides reposer un moment avant de servir. Lorsque vous réchauffez des aliments pour bébé, remuez-les bien et vérifiez la température avant de servir.

Ajout d'humidité

Les micro-ondes sont attirés par les molécules d'eau. Il faut couvrir les aliments dont la teneur en eau n'est pas uniforme ou les laisser reposer afin que la chaleur se propage uniformément. Ajoutez une petite quantité d'eau aux aliments secs pour faciliter leur cuisson.

Ventilation

Après avoir couvert un plat avec un film plastique, ventilez celui-ci en tournant un coin pour permettre à la vapeur de s'échapper.

Recommandations générales de cuisson

- Les aliments denses, comme les pommes de terre, prennent plus de temps à cuire que les aliments plus légers. Les aliments dont la texture est délicate devraient être réchauffés à puissance faible pour empêcher qu'ils se durcissent.
- L'altitude et le type de récipient utilisé peuvent influencer le temps de cuisson. Lorsque vous essayez une nouvelle recette, utilisez le temps de cuisson le plus bas et vérifiez les aliments à l'occasion afin de prévenir leur cuisson excessive.
- Les aliments dont la pelure est non poreuse, comme les pommes de terre ou les saucisses à hot dog, devraient être percés afin de prévenir leur éclatement.
- La friture avec de l'huile ou du gras n'est pas recommandée. Le gras et l'huile peuvent subitement bouillir et causer de graves brûlures.
- Certains ingrédients se réchauffent plus rapidement que d'autres. Par exemple, la gelée à l'intérieur d'un beigne sera plus chaude que la pâte. Gardez cela à l'esprit pour prévenir les brûlures.
- La mise en conserve dans le four à micro-ondes n'est pas recommandée, car les bactéries dangereuses peuvent ne pas toutes être détruites par le processus de chauffage par micro-ondes.
- Bien que les micro-ondes ne réchauffent pas le récipient, la chaleur des aliments se propage souvent au récipient. Utilisez toujours des maniques pour retirer des aliments du four à micro-ondes et demandez aux enfants de faire de même.
- La confection de bonbons dans le four à micro-ondes n'est pas recommandée, car les bonbons peuvent atteindre une température très élevée. Gardez cela à l'esprit pour prévenir les blessures.

Guide de cuisson des œufs au four à micro-ondes

- Ne cuisez jamais des œufs dans leur coquille et ne réchauffez jamais des œufs durs dans leur coquille. Ils peuvent exploser.
- Percez toujours les œufs entiers pour les empêcher d'éclater.
- Cuisez les œufs juste assez pour qu'ils soient fermes. Ils peuvent se durcir s'ils sont cuits trop longtemps.

Guide de cuisson

Guide de cuisson des légumes au four à micro-ondes

- Les légumes devraient être lavés juste avant d'être cuits. Souvent, il n'est pas nécessaire d'ajouter de l'eau. Si vous cuisez des légumes denses, comme des pommes de terre en cubes, des carottes ou des haricots verts, ajoutez environ 60 mL (¼ tasse) d'eau.
- Les petits légumes (carottes tranchées, pois, haricots de Lima, etc.) cuisent plus rapidement que les légumes plus gros.
- Les légumes entiers, comme les pommes de terre, les courges poivrées ou le maïs en épi, devraient être disposés en cercle sur le plateau tournant avant la cuisson. Ils cuiront plus uniformément s'ils sont retournés à mi-cuisson.
- Placez toujours des légumes comme les asperges et le brocoli avec la tige orientée vers le bord du plat et les pointes vers le centre.
- Lorsque vous cuisez des légumes, couvrez toujours le récipient d'un couvercle ou d'un film plastique micro-ondable perforé.
- Il faut percer en plusieurs endroits la pelure des légumes entiers et non pelés, comme les pommes de terre, les courges, les aubergines, etc., avant de les faire cuire, pour éviter qu'ils éclatent.
- Pour une cuisson plus uniforme, remuez ou déplacez les légumes entiers à mi-cuisson.
- Généralement, plus un aliment est dense, plus le temps de repos sera long. (Le temps de repos désigne le délai nécessaire pour que de gros aliments et légumes denses finissent de cuire une fois sortis du four.) Une pomme de terre cuite peut reposer sur le comptoir pendant cinq minutes avant que la cuisson soit terminée, alors qu'un récipient de pois peut être servi immédiatement.

Nettoyage et entretien de votre four à micro-ondes

Maintenir la propreté du four à micro-ondes améliore sa performance, réduit les réparations superflues et prolonge sa durée de vie.

Nettoyage de l'extérieur

Il vaut mieux nettoyer les déversements à l'extérieur du four au fur et à mesure qu'ils se produisent. Utilisez un chiffon doux et de l'eau chaude savonneuse. Rincez et séchez.

ATTENTION

Ne versez pas d'eau dans les fentes de ventilation. N'utilisez jamais de produits abrasifs ou de solvants chimiques comme de l'ammoniac ou de l'alcool, qui peuvent endommager l'apparence du four à micro-ondes.

AVERTISSEMENT

Débranchez la fiche du four à micro-ondes avant le nettoyage.

Nettoyage sous le four à micro-ondes

Nettoyez régulièrement la graisse et la poussière qui se trouvent au fond du four au moyen d'une solution d'eau chaude et de détergent.

Nettoyage du panneau de commande

Essayez avec un chiffon humide et séchez complètement. N'utilisez pas de produit de nettoyage vaporisé, de grandes quantités d'eau et de savon, de produits abrasifs ou d'objets pointus sur le panneau, car il peut facilement être endommagé.

Nettoyage de la porte et des joints de porte

Assurez-vous toujours que les joints de porte sont propres et que la porte se ferme correctement. Lorsque vous nettoyez les joints de porte, assurez-vous qu'il n'y a pas d'accumulation de particule qui pourrait empêcher la porte de se fermer correctement. Nettoyez la porte en verre avec un savon très doux et de l'eau. Assurez-vous d'utiliser un chiffon doux pour éviter les égratignures.

REMARQUE

Si de la vapeur s'accumule à l'intérieur ou à l'extérieur de la porte de four, essuyez-la avec un chiffon doux. De la vapeur peut s'accumuler lorsque vous utilisez le four alors que l'humidité est très élevée; elle n'indique pas du tout la présence d'une fuite.

Nettoyage de l'intérieur

ATTENTION

Pour éviter les blessures, assurez-vous que le four à micro-ondes est suffisamment refroidi avant de le nettoyer.

ATTENTION

Retirez le plateau en verre du four lorsque vous nettoyez l'un ou l'autre. Pour empêcher que le plateau se brise, manipulez-le avec soin et ne le placez pas dans de l'eau immédiatement après la cuisson. Lavez le plateau avec soin dans de l'eau chaude savonneuse ou au lave-vaisselle.

Nettoyage du plateau tournant et des anneaux de guidage

Nettoyez périodiquement les anneaux de guidage et lavez le plateau tournant au besoin. Le plateau tournant peut être nettoyé sans crainte au lave-vaisselle.

Rangement et réparation du four à micro-ondes

Si vous devez ranger votre four à micro-ondes pour une période courte ou prolongée, choisissez un emplacement sec et exempt de poussière. La poussière et l'humidité peuvent nuire au bon fonctionnement des pièces de l'appareil.

AVERTISSEMENT

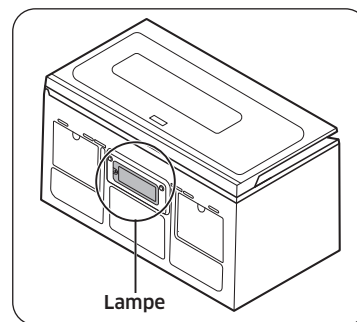
Il ne faut pas réparer, remplacer ou faire l'entretien vous-même de quelconques pièces de votre four à micro-ondes. Demandez toujours à un technicien qualifié d'effectuer les réparations. Si le four est défectueux et a besoin d'être réparé ou si vous avez un doute sur son état, débranchez l'appareil de la prise électrique et communiquez avec le centre de service le plus près.

N'utilisez pas un four endommagé, en particulier si la porte ou les joints de porte sont endommagés ou si la porte ne se ferme pas correctement. Cela peut être causé par une charnière brisée, un joint usé ou un boîtier tordu ou déformé. Ne retirez pas le four de son boîtier.

Ce four à micro-ondes est destiné à une utilisation domestique seulement et ne doit pas servir à des fins commerciales.

Remplacement de l'éclairage de la table de cuisson ou de nuit

Lorsque vous remplacez l'éclairage de la table de cuisson ou de nuit, assurez-vous que vous portez des gants afin d'éviter les brûlures infligées par la lampe chaude.



1. Débranchez le four ou coupez le courant à l'alimentation secteur.
2. Retirez la vis du cache de l'ampoule et abaissez la protection.
3. Débranchez les connecteurs de câble.
4. Retirez la vis assurant la fixation de la barrette des DEL.
5. Remplacez les DEL.

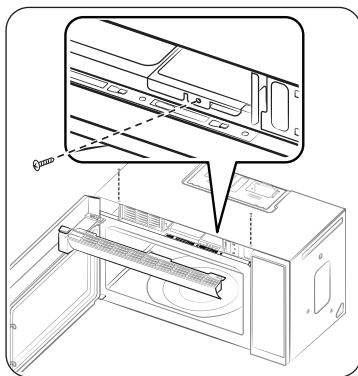
REMARQUE

Pour acheter une nouvelle lampe à DEL, visitez un centre de service Samsung autorisé ou appelez au 1-800-SAMSUNG (726-7864).

Nettoyage et entretien de votre four à micro-ondes

Remplacement de la lampe du four

Lorsque vous remplacez la lampe du four, assurez-vous que vous portez des gants afin d'éviter les brûlures infligées par la lampe chaude.



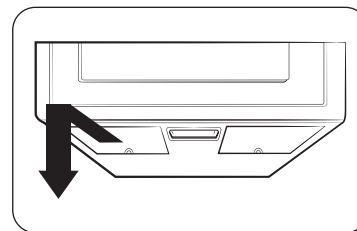
1. Débranchez le four ou coupez le courant à l'alimentation secteur.
2. Ouvrez la porte.
3. Retirez les vis de montage de la protection du ventilateur (deux vis au centre).
4. Faites coulisser la grille du ventilateur vers la gauche, puis tirez-la tout droit vers l'extérieur.
5. Retirez le filtre à charbon actif s'il y en a un.
6. Retirez la vis du cache de la lampe.
7. Retirez l'ampoule en la tirant doucement vers l'extérieur.
8. Installez une ampoule halogène de 50 W.
9. Remontez le support de l'ampoule.
10. Remontez la grille du ventilateur et réinsérez les 2 vis.
11. Branchez le four ou rétablissez le courant à l'alimentation secteur. Réglez l'heure.

Nettoyage du filtre à graisse

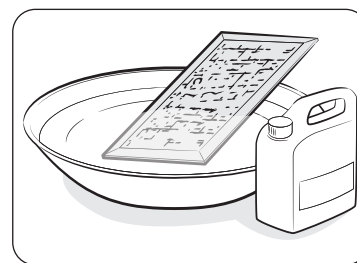
Votre four à micro-ondes comporte un filtre à graisse réutilisable. Le filtre à graisse devrait être retiré et nettoyé au moins une fois par mois ou au besoin. Pour commander un nouveau filtre à graisse, contactez le Service des pièces détachées Samsung au 1-800-627-4368 ou votre revendeur Samsung. Vous pouvez également commander en ligne au www.samsungparts.com.

⚠ AVERTISSEMENT

Pour éviter le risque de blessures et de dommages matériels, n'utilisez pas la hotte de four si le filtre n'est pas en place.



1. Pour retirer le filtre, faites-le glisser vers la gauche (ou la droite) à l'aide de la languette.



2. Faites tremper le filtre à graisse dans un détergent doux dilué dans de l'eau chaude. Rincez-le et secouez-le pour le faire sécher. Brossez doucement le filtre pour retirer la saleté incrustée.

⚠ AVERTISSEMENT

N'utilisez pas d'ammoniac et ne placez pas le filtre à graisse dans le four à micro-ondes pour le faire sécher. L'aluminium noircirait.

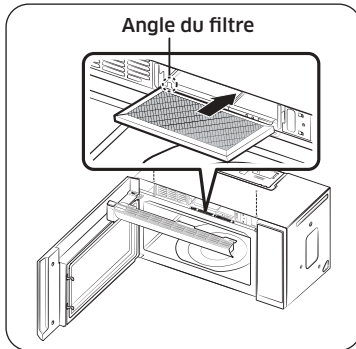
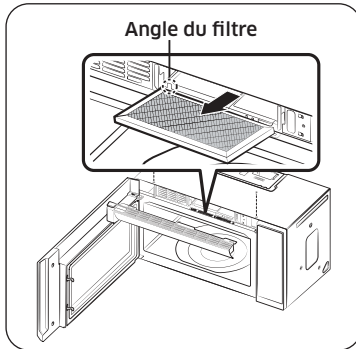
3. Pour réinstaller le filtre, glissez-le en place dans le cadre de gauche (ou de droite), puis poussez-le vers le haut et la droite (ou la gauche) pour le verrouiller.

Dépannage

Remplacement du filtre à charbon

Si la ventilation fonctionne à l'intérieur du four, le filtre à charbon doit être remplacé tous

les 6 à 12 mois ou plus souvent si nécessaire. Le filtre à charbon ne peut pas être nettoyé. Pour commander un nouveau filtre à charbon, contactez le Service des pièces détachées Samsung au 1-800-627-4368 ou votre revendeur Samsung. Vous pouvez également commander en ligne au www.samsungparts.com.



1. Débranchez le four ou coupez l'alimentation au niveau de la prise d'alimentation secteur.
2. Ouvrez la porte.
3. Retirez les vis de montage de la grille du ventilateur.
4. Faites coulisser la grille du ventilateur vers la gauche, puis tirez-la tout droit vers l'extérieur.
5. Poussez le crochet et retirez le filtre usagé.
6. Placez un filtre à charbon actif neuf en le faisant coulisser. Le filtre doit être installé selon l'angle indiqué sur la figure.
7. Remplacez la grille du ventilateur et les deux vis, puis fermez la porte. Branchez le four ou ouvrez l'alimentation au niveau de la prise d'alimentation secteur. Réglez l'heure à nouveau.

Points de contrôle

Si vous rencontrez un problème avec votre four, consultez d'abord les tableaux ci-dessous et mettez en pratique les recommandations. Si un problème persiste ou si un code d'information continue d'apparaître à l'écran, contactez un centre de service Samsung local.

Problème	Cause	Action
Général		
Les boutons ne peuvent pas être enfoncés correctement.	Des corps étrangers peuvent se coincer entre les boutons.	Retirez les corps étrangers et réessayez.
	Pour les modèles tactiles : Il y a de l'humidité à l'extérieur.	Essuyez l'humidité à l'extérieur.
	Le verrouillage de sécurité pour enfants est activé.	Désactivez le verrouillage.
L'heure n'est pas affichée.	Il n'y a pas d'alimentation.	Assurez-vous que l'appareil est alimenté en électricité. Confirmez que le micro-ondes est branché. Vérifiez vos fusibles ou disjoncteurs.
	La fonction Éco (économie d'énergie) est activée.	Désactivez la fonction Éco.
Le four ne fonctionne pas.	Il n'y a pas d'alimentation.	Assurez-vous que l'appareil est alimenté en électricité. Confirmez que le micro-ondes est branché. Vérifiez vos fusibles ou disjoncteurs.
	La porte est ouverte.	Fermez la porte et réessayez.
	Les mécanismes de sécurité d'ouverture de la porte sont recouverts de corps étrangers.	Retirez les corps étrangers et réessayez.

Dépannage

Problème	Cause	Action
Le four s'arrête en cours de fonctionnement.	L'utilisateur a ouvert la porte pour retourner les aliments.	Après avoir retourné les aliments, appuyez de nouveau sur le bouton Start (Démarrer) pour commencer la cuisson.
L'appareil s'éteint lors du fonctionnement.	Le four a effectué une très longue cuisson.	Après une longue cuisson, laissez le four refroidir.
	Le ventilateur de refroidissement ne fonctionne pas.	Écoutez le bruit émis par le ventilateur de refroidissement.
	Vous essayez de faire fonctionner le four sans aliments à l'intérieur.	Placez des aliments dans le four.
	L'espace de ventilation autour du four est insuffisant.	Des systèmes de prise d'air et d'évacuation sont présents à l'avant et à l'arrière du four pour la ventilation. Consultez le guide d'installation et assurez-vous que le micro-ondes est suffisamment éloigné des murs et des armoires afin de garantir une bonne ventilation.
Le four n'est pas sous tension.	Plusieurs appareils ou dispositifs sont branchés sur la même prise électrique.	Débranchez tous les autres appareils ou dispositifs de la prise électrique.
	Il n'y a pas d'alimentation.	Assurez-vous que la prise est alimentée. Confirmez que le micro-ondes est branché. Vérifiez vos fusibles ou disjoncteurs.

Problème	Cause	Action
Un bruit sec se fait entendre pendant le fonctionnement, et le four ne fonctionne pas.	Cuisson d'aliments dans un récipient fermé ou utilisation d'un récipient avec un couvercle étanche.	Ne faites pas cuire d'aliments contenus dans des récipients fermés hermétiquement ou avec des couvercles hermétiques. La propagation de la vapeur produite par les aliments en cours de cuisson peut provoquer l'éclatement des récipients ou l'éjection des couvercles.
	L'extérieur du four devient trop chaud lors du fonctionnement.	L'espace de ventilation autour du four est insuffisant.
La porte ne peut pas être ouverte correctement.		Des objets sont situés sur le dessus du four.
		Des résidus d'aliments sont collés entre la porte et l'intérieur du four.

Problème	Cause	Action
Le four ne chauffe pas.	Le four peut ne pas fonctionner si trop d'aliments ont été mis à cuire ou si un récipient inapproprié est utilisé.	Pour tester le four, placez une tasse d'eau dans un récipient micro-ondable. Mettez le récipient dans le four et mettez ce dernier en marche durant 1 à 2 minutes pour vérifier si l'eau chauffe. Si l'eau est chaude, réduisez la quantité d'aliments et démarrez à nouveau la fonction. Utilisez un récipient de cuisson à fond plat.
Le chauffage est faible ou lent.	Le four peut ne pas fonctionner si trop d'aliments ont été mis à cuire ou si un ustensile inapproprié est utilisé.	Pour tester le four, placez une tasse d'eau dans un récipient micro-ondable. Mettez le récipient dans le four et mettez ce dernier en marche durant 1 à 2 minutes pour vérifier si l'eau chauffe. Si l'eau est chaude, réduisez la quantité d'aliments et démarrez à nouveau la fonction. Utilisez un récipient de cuisson à fond plat.

Problème	Cause	Action
La fonction de maintien au chaud ne fonctionne pas.	Le four peut ne pas fonctionner si trop d'aliments ont été mis à chauffer ou si un récipient inapproprié est utilisé.	Pour tester le four, placez une tasse d'eau dans un récipient micro-ondable. Mettez le récipient dans le four et mettez ce dernier en marche durant 1 à 2 minutes pour vérifier si l'eau chauffe. Si l'eau est chaude, réduisez la quantité d'aliments et démarrez à nouveau la fonction. Utilisez un récipient de cuisson à fond plat.
La fonction de décongélation ne fonctionne pas.	Le four peut ne pas fonctionner si trop d'aliments ont été mis à décongeler ou si un récipient inapproprié est utilisé.	Pour tester le four, placez une tasse d'eau dans un récipient micro-ondable. Mettez le récipient dans le four et mettez ce dernier en marche durant 1 à 2 minutes pour vérifier si l'eau chauffe. Si l'eau est chaude, réduisez la quantité d'aliments et démarrez à nouveau la fonction. Utilisez un récipient de cuisson à fond plat.

Dépannage

Problème	Cause	Action
L'éclairage intérieur est faible ou ne s'allume pas.	La porte a été laissée ouverte un long moment.	L'éclairage intérieur peut s'éteindre automatiquement lorsque la fonction Eco (Éco) est activée. Fermez et rouvrez la porte ou appuyez sur le bouton Stop (Arrêt).
	L'éclairage intérieur est recouvert de corps étrangers.	Nettoyez l'intérieur du four, puis vérifiez à nouveau.
Un signal sonore retentit durant la cuisson.	Si la fonction Auto Cook (Cuisson automatique) est utilisée, ce signal sonore indique qu'il est temps de retourner les aliments.	Après avoir retourné les aliments, appuyez de nouveau sur le bouton Start (Démarrer) pour relancer la cuisson.
Le four n'est pas de niveau.	Le four est installé sur une surface irrégulière.	Assurez-vous que le four est installé sur une surface plane et stable.
Des étincelles apparaissent durant la cuisson.	Des récipients métalliques sont utilisés pendant la cuisson ou la décongélation.	N'utilisez pas de récipients métalliques.
Lorsqu'il est sous tension, le four fonctionne immédiatement.	La porte n'est pas correctement fermée.	Fermez la porte et vérifiez à nouveau.
Il y a de l'électricité provenant du four.	La source d'alimentation ou la prise électrique ne sont pas correctement mises à la terre.	Assurez-vous que la source d'alimentation et la prise électrique sont correctement mises à la terre.

Problème	Cause	Action
De l'eau goutte.	En fonction des aliments concernés, de l'eau ou de la vapeur peut être générée lors du processus de cuisson ou de décongélation. Il ne s'agit pas d'un dysfonctionnement du four.	Laissez le four refroidir, puis essuyez avec un chiffon sec.
De la vapeur s'échappe par une fente dans la porte.	En fonction des aliments concernés, de l'eau ou de la vapeur peut être générée lors du processus de cuisson ou de décongélation. Il ne s'agit pas d'un dysfonctionnement du four.	Laissez le four refroidir, puis essuyez avec un chiffon sec.
Il reste de l'eau dans le four.	En fonction des aliments concernés, de l'eau ou de la vapeur peut être générée lors du processus de cuisson ou de décongélation. Il ne s'agit pas d'un dysfonctionnement du four.	Laissez le four refroidir, puis essuyez avec un chiffon sec.
La luminosité à l'intérieur du four varie.	Des changements de luminosité témoignent de changements dans la puissance de sortie. Les changements de puissance de sortie dépendent des fonctions utilisées.	Les changements de puissance au cours de la cuisson ne constituent pas des dysfonctionnements.

Problème	Cause	Action
La cuisson est terminée, mais le ventilateur de refroidissement fonctionne toujours.	Pour ventiler le four, le ventilateur continue de fonctionner environ 3 minutes après la fin de la cuisson.	Il ne s'agit pas d'un dysfonctionnement du four.
Appuyez sur le bouton Start (Démarrer) pour mettre en marche le four.	Cela se produit lorsque le four ne fonctionnait pas.	Le four à micro-ondes est conçu pour commencer à fonctionner lorsque vous appuyez sur le bouton Start (Démarrer) s'il ne fonctionnait pas.
Plateau tournant		
Lorsqu'il tourne; le plateau tournant se déplace ou cesse de tourner.	Il n'y a pas d'anneau de guidage ou ce dernier n'est pas positionné correctement.	Installez correctement l'anneau de guidage, puis réessayez.
Le plateau tournant frotte lorsqu'il tourne.	L'anneau de guidage n'est pas correctement positionné, la quantité d'aliments est trop importante ou le récipient est trop grand et il entre en contact avec les parois intérieures du four.	Installez correctement l'anneau de guidage. Ajustez la quantité d'aliments. N'utilisez pas de récipients trop grands.
Le plateau tournant claque lorsqu'il tourne et il est bruyant.	Des résidus d'aliments sont collés dans le fond du four.	Retirez les résidus d'aliments collés dans le fond du four.

Codes d'information

Si le four à micro-ondes ne fonctionne pas, vous pourriez voir un code d'information apparaître à l'écran. Consultez le tableau ci-dessous pour trouver le code, puis suivez les directives.

Code	Description	Action
C-10	Le capteur de GAZ est ouvert.	Débranchez le cordon d'alimentation du four et contactez un centre de service à la Samsung local.
	Il y a un court-circuit du capteur de GAZ.	
C-F0	Le four à micro-ondes a détecté une défaillance de communication interne.	Débranchez le cordon d'alimentation du four et contactez un centre de service à la Samsung local.
C-F1	Se produit uniquement en cas d'erreur de lecture ou de lecture dans la mémoire EEPROM.	Débranchez le cordon d'alimentation du four et contactez un centre de service à la clientèle SAMSUNG local.
C-F2	Un bouton tactile a mal fonctionné.	Appuyez sur Stop (Arrêt), puis réessayez le bouton.
C-d0	Les boutons de commande sont maintenus enfoncés pendant 10 secondes.	Nettoyez les touches et vérifiez s'il y a de l'eau sur la surface autour de la touche. Si ce code réapparaît, éteignez le four à micro-ondes, laissez-le reposer pendant plus de 30 secondes, puis réessayez de le régler. Si ce code réapparaît, communiquez votre centre de service à la clientèle SAMSUNG local.

Caractéristiques

Modèle	ME21D*6300**AA	ME21D*6300**AC
Intérieur du four	60 L (2,1 pi ³)	
Commandes	10 niveaux de puissance, dont la décongélation	
Minuterie	99 minutes, 99 secondes	
Source d'alimentation	120 V c.a., 60 Hz.	
Consommation d'énergie	Four à micro-ondes de 1 700 W	Four à micro-ondes de 1500 W
Puissance de sortie du four à micro-ondes	1000 W	950 W
Éclairage de cuisson supérieur	Ampoule à DEL (2 ch.)	
Lumière du four	Ampoule halogène de 50 W	
Dimensions de l'intérieur du four	562 mm (22 1/8 po) (larg.) x 275 mm (10 13/16 po) (haut.) x 377 mm (14 27/32 po) (prof.)	
Dimensions extérieures	759 mm (29 7/8 po) (larg.) x 433 mm (17 1/16 po) (haut.) x 419 mm (16 1/2 po) (prof.)	
Dimensions d'expédition	847 mm (33 11/32 po) (larg.) x 528 mm (20 25/32 po) (haut.) x 492 mm (19 3/8 po) (prof.)	
Poids net / d'expédition	58,0 lb / 64,6 lb (26,3 kg / 29,3 kg)	

Garantie (ÉTATS-UNIS)

FOUR À MICRO-ONDES SAMSUNG

GARANTIE LIMITÉE POUR L'ACHETEUR D'ORIGINE AVEC PREUVE D'ACHAT

Ce produit de la marque SAMSUNG, tel que fourni et distribué par SAMSUNG ELECTRONICS AMERICA, INC. (SAMSUNG) et livré neuf, dans son emballage d'origine, à l'acheteur d'origine, est garanti par SAMSUNG contre tout défaut de fabrication ou de matériaux pendant la période de garantie limitée, à compter de la date de livraison à l'acheteur d'origine, de :

Un (1) an de garantie pour les pièces et la main-d'œuvre.

Dix (10) ans pour la pièce magnétron (pièce seulement).

Cette garantie limitée n'est valable que pour les produits achetés et utilisés aux États-Unis qui ont été installés, utilisés et entretenus conformément aux instructions jointes ou fournies avec le produit. Pour se prévaloir du service de garantie, l'acquéreur doit contacter SAMSUNG à l'adresse ou au numéro de téléphone ci-dessous afin d'établir les procédures relatives au diagnostic et à l'intervention nécessaire. Pour être couverte par la garantie, la maintenance ne peut être effectuée que par un service technique agréé SAMSUNG. Lors de la remise d'un produit défectueux à SAMSUNG ou à un centre de service SAMSUNG agréé, l'acquéreur est tenu de présenter le coupon d'achat d'origine ou le bon de livraison à la demande des intéressés à titre de preuve d'achat.

SAMSUNG fournira gratuitement un service à domicile dans les États-Unis contigus pendant la période de garantie, sous réserve de la disponibilité de réparateurs agréés SAMSUNG dans la zone géographique du client. Si le service à domicile n'est pas disponible, SAMSUNG peut choisir, à sa discrétion, d'assurer le transport du produit vers et depuis un centre de service agréé. Si le produit se trouve dans une région où le service par un réparateur agréé SAMSUNG n'est pas offert, il se peut que vous ayez à payer des frais de déplacement ou que vous deviez apporter le produit à un centre de service agréé SAMSUNG pour le faire réparer.

Pour bénéficier du service à domicile, le produit doit être facilement accessible à notre personnel.

Pendant la période de garantie applicable, un produit sera réparé, remplacé ou son prix d'achat remboursé, à la seule discrétion de SAMSUNG. SAMSUNG peut utiliser des pièces neuves ou remises à neuf pour réparer un produit ou remplacer le produit par un produit neuf ou remis à neuf. Les pièces et produits de rechange sont protégés pour le reste de la période de garantie initiale ou pour quatre-vingt-dix (90) jours, selon l'éventualité la plus éloignée. Toute pièce ou tout produit remplacé devient la propriété de SAMSUNG et doit lui être restitué.

Cette garantie limitée couvre les défauts de fabrication des matériaux ou de la main-d'œuvre rencontrés dans le cadre d'une utilisation domestique normale et non commerciale de ce produit et ne couvre pas les éléments suivants : les dommages survenus lors de l'expédition, de la livraison, de l'installation et des utilisations pour lesquelles ce produit n'a pas été conçu; les dommages causés par une modification ou une altération non autorisée du produit; tout produit dont le numéro de série d'origine a été enlevé, dégradé, modifié de quelque manière que ce soit ou ne peut pas être facilement déterminé; les dommages cosmétiques, y compris les rayures, les bosses, les ébréchures et les autres dommages aux finitions du produit; les dommages causés par un abus, une mauvaise utilisation, une surchauffe due à une cuisson excessive, un plateau en verre ou une table tournante, une infestation de parasites, un accident, un incendie, une inondation ou d'autres catastrophes naturelles; les dommages causés par l'utilisation d'équipements, de services publics, de services, de pièces, de fournitures, d'accessoires, d'applications, d'installations, de réparations, de câblages externes ou de connecteurs non fournis ou autorisés par SAMSUNG; les dommages causés par un courant, une tension ou des fluctuations incorrects et des surtensions électriques; les dommages causés par le non-respect des instructions relatives à l'utilisation et à l'entretien du produit; les instructions données à domicile sur la manière d'utiliser votre produit; les services visant à corriger une installation non conforme aux codes de l'électricité ou de la plomberie ou à corriger des problèmes d'électricité ou de plomberie domestiques (c.-à-d. les câbles domestiques, les fusibles ou les tuyaux d'arrivée d'eau); et la réduction de la puissance de sortie du magnétron liée au vieillissement normal.

Le coût de la réparation ou du remplacement dans ces circonstances exclues est à la charge du client.

Les visites d'un réparateur agréé pour expliquer les fonctions, l'entretien ou l'installation du produit ne sont pas couvertes par la présente garantie limitée. Veuillez contacter SAMSUNG au numéro ci-dessous pour obtenir de l'aide sur l'un de ces problèmes.

Samsung facturera les travaux de réparation lorsqu'un accessoire doit être réparé ou un dommage esthétique corrigé, si l'endommagement de l'appareil et/ou l'endommagement ou la perte de l'accessoire a été occasionné(e) par le client. Les éléments couverts sont les suivants :

- Porte, poignée, panneau extérieur ou tableau de commande bosselé(e), rayé(e) ou brisé(e)
- Plateau, guide de plateau roulant, coupleur, filtre ou grille métallique brisé(e) ou manquant(e)

Les pièces que SAMSUNG a déterminées comme pouvant être remplacées par l'utilisateur peuvent être envoyées au client pour installation. À la discrétion de SAMSUNG, un réparateur agréé peut être envoyé pour effectuer une telle installation.

EXCLUSION DES GARANTIES IMPLICITES

LES GARANTIES IMPLICITES, Y COMPRIS LES GARANTIES IMPLICITES DE QUALITÉ MARCHANDE OU D'ADÉQUATION À UN USAGE PARTICULIER, SONT LIMITÉES À UN AN OU À LA PÉRIODE LA PLUS COURTE AUTORISÉE PAR LA LOI. Certains États n'autorisent pas les limitations sur la durée d'une garantie implicite, de sorte que les limitations ou exclusions ci-dessus peuvent ne pas s'appliquer à vous. Cette garantie vous confère des droits légaux précis; vous pouvez également avoir d'autres droits qui varient d'un État à l'autre.

Garantie (ÉTATS-UNIS)

LIMITATION DES RECOURS

VOTRE SEUL ET UNIQUE RECOURS EST LA RÉPARATION DU PRODUIT, SON REMPLACEMENT OU LE REMBOURSEMENT DU PRIX D'ACHAT, À LA DISCRÉTION DE SAMSUNG, COMME LE PRÉVOIT LA PRÉSENTE GARANTIE LIMITÉE.

SAMSUNG NE SERA PAS TENUE RESPONSABLE DES DOMMAGES SPÉCIAUX, ACCESSOIRES OU INDIRECTS, Y COMPRIS, MAIS SANS S'Y LIMITER, LE TEMPS D'ABSENCE DU TRAVAIL, LES REPAS À L'HÔTEL ET/OU AU RESTAURANT, LES FRAIS DE REMODELAGE, LA PERTE DE REVENUS OU DE BÉNÉFICES, LA NON-RÉALISATION D'ÉCONOMIES OU D'AUTRES AVANTAGES, QUELLE QUE SOIT LA THÉORIE JURIDIQUE SUR LAQUELLE REPOSE LA RÉCLAMATION, ET MÊME SI SAMSUNG A ÉTÉ INFORMÉE DE LA POSSIBILITÉ DE TELS DOMMAGES. Certains États n'autorisent pas l'exclusion ou la limitation des dommages accessoires ou indirects, de sorte que les limitations ou exclusions ci-dessus peuvent ne pas s'appliquer à vous. Cette garantie vous confère des droits légaux spécifiques, vous pouvez également avoir d'autres droits qui varient d'un État à l'autre.

SAMSUNG ne garantit pas un fonctionnement continu ou sans erreur de ce produit. Aucune garantie donnée par quelque personne, entreprise ou société que ce soit concernant ce produit n'engage SAMSUNG.

Pour bénéficier d'un service d'assistance couvert par votre garantie, contactez SAMSUNG à l'adresse suivante :

Samsung Electronics America, Inc.
85 Challenger Road
Ridgefield Park, NJ 07660

1-800-SAMSUNG (726-7864) et www.samsung.com/us/support

Garantie (CANADA)

Four à micro-ondes à hotte intégrée de Samsung

Garantie limitée à l'acquéreur d'origine

Ce produit de marque SAMSUNG, tel que fourni et distribué par Samsung Electronics

Canada, inc. (SAMSUNG) et livré neuf dans l'emballage original au consommateur acheteur original, est garanti par SAMSUNG contre les défauts de fabrication touchant

les pièces et la main-d'œuvre pendant une période de garantie limitée de :

UN (1) AN SUR LES PIÈCES ET LA MAIN-D'ŒUVRE, CINQ (5) ANS POUR LE MAGNÉTRON.

Samsung facturera les travaux de réparation lorsqu'un accessoire doit être réparé ou un défaut esthétique corrigé, si l'endommagement de l'appareil et/ou l'endommagement ou la perte de l'accessoire a été occasionné(e) par le client. Les éléments concernés par cette stipulation sont :

- une porte, une poignée, un panneau extérieur ou le tableau de commandes bosselé(e), rayé(e) ou brisé(e);
- un plateau, un guide de plateau roulant, un coupleur, un filtre ou une grille métallique brisé(e) ou manquant(e).

Les pièces remplaçables par l'utilisateur peuvent être envoyées au client aux fins de réparation de l'appareil. Si nécessaire, un technicien peut être envoyé pour effectuer l'intervention.

Cette garantie limitée prend effet à la date d'achat initiale et n'est valable que pour les produits achetés et utilisés aux États-Unis. Pour se prévaloir du service de garantie, l'acheteur doit contacter SAMSUNG afin d'établir les procédures relatives au diagnostic et à l'intervention nécessaire. Pour être couverte par la garantie, la maintenance ne peut être effectuée que par un service technique agréé SAMSUNG. Lors de la remise d'un produit défectueux à SAMSUNG ou à un centre de service SAMSUNG agréé, l'acquéreur est tenu de présenter, sur demande, le coupon d'achat d'origine à titre de preuve d'achat.

SAMSUNG réparera ou remplacera ce produit s'il ne peut pas être réparé, à sa discrétion et sans frais comme stipulé dans le présent document, par des pièces ou des produits neufs ou remis à neuf s'il s'avère défectueux pendant la période de garantie limitée spécifiée ci-dessus. Toute pièce ou tout produit remplacé devient la propriété de SAMSUNG et doit lui être restitué. Les pièces et produits de rechange sont protégés pour le reste de la période de garantie initiale ou pour quatre-vingt-dix (90) jours, selon l'éventualité la plus éloignée.

Un service à domicile sera fourni pendant la période de garantie, sous réserve de disponibilité dans les régions contiguës des États-Unis. Le service à domicile n'est pas offert dans toutes les régions. Pour bénéficier du service à domicile, l'appareil doit être facilement accessible à notre personnel. Dans le cas où il serait impossible de réparer l'appareil au cours du service à domicile, il se peut que l'appareil doive être emporté, réparé et retourné. Si le service à domicile n'est pas offert, SAMSUNG peut choisir, à sa discrétion, d'assurer le transport de son choix vers et depuis un centre de service agréé SAMSUNG. Dans le cas contraire, la responsabilité du transport vers et depuis le centre de service agréé de SAMSUNG incombera à l'acquéreur.

Cette garantie limitée couvre les défauts de fabrication relatifs aux matériaux ou à la main-d'œuvre survenant dans le cadre d'un usage normal et non commercial de ce produit et ne s'applique pas aux situations suivantes, sans pour autant s'y limiter : tout dommage survenant au cours de l'expédition, la livraison et l'installation; toute utilisation de l'appareil contraire au but auquel il était destiné; tout numéro de produit ou de série effacé; tout dommage du revêtement extérieur ou de l'aspect du produit; tout dommage causé par accident, abus, négligence, incendie, inondation, foudre ou autre catastrophe naturelle; toute utilisation de produits, équipements, systèmes, appareils, services, pièces, fournitures, accessoires, applications, installations, réparations, câblages externes ou connecteurs non fournis ou autorisés par SAMSUNG et susceptibles d'endommager ledit appareil ou de nuire à son fonctionnement; toute surtension, fluctuation ou pointe de tension de ligne électrique incorrecte; tout réglage effectué par l'acquéreur et non-respect des instructions d'utilisation, de nettoyage, d'entretien et de respect de l'environnement couvertes et prescrites dans le carnet d'instructions ; tout problème résultant d'une prolifération d'insectes nuisibles, d'une surchauffe ou d'un plat trop cuit par l'utilisateur; les problèmes relatifs au plateau en verre ou au plateau tournant; ou à une puissance réduite du magnétron en raison de l'usure normale. SAMSUNG ne garantit pas un fonctionnement continu ou sans erreur de ce produit.

Garantie (CANADA)

SAMSUNG NE FOURNIT AUCUNE AUTRE GARANTIE AUTRE QUE CELLES MENTIONNÉES ET DÉCRITES CI-DESSUS, ET AUCUNE GARANTIE, EXPRESSE OU IMPLICITE, Y COMPRIS, MAIS SANS S'Y LIMITER, LES GARANTIES IMPLICITES DE QUALITÉ COMMERCIALE OU D'APTITUDE À UN USAGE PARTICULIER, NE DOIT S'APPLIQUER APRÈS EXPIRATION DES PÉRIODES DE GARANTIE EXPRESSES CONSIDÉRÉES CI-DESSUS, ET AUCUNE AUTRE GARANTIE EXPRESSE RELATIVE AU PRÉSENT PRODUIT, QU'ELLE SOIT DONNÉE PAR UNE TIERCE PERSONNE, UNE ENTREPRISE OU UNE SOCIÉTÉ NE POURRA ÊTRE CONSIDÉRÉE COMME UN ENGAGEMENT DE LA PART DE SAMSUNG. SAMSUNG N'ENDOSSE AUCUNE RESPONSABILITÉ EN CAS DE PERTE DE REVENU, DE MANQUE À GAGNER, D'INCAPACITÉ À RÉALISER DES ÉCONOMIES OU TOUT AUTRE AVANTAGE FINANCIER, OU EN CAS DE DOMMAGE RÉSULTANT DE L'UTILISATION OU D'UNE MAUVAISE UTILISATION DE CET APPAREIL OU D'UNE INCAPACITÉ À UTILISER CET APPAREIL, QUELLE QUE SOIT LA BASE LÉGALE SUR LAQUELLE REPOSE LA PLAINTÉ, ET MÊME SI SAMSUNG A ÉTÉ AVERTIE DE L'ÉVENTUALITÉ DE TELS DOMMAGES. TOUT TYPE DE COMPENSATION EXIGÉE AUPRÈS DE SAMSUNG NE SAURA EN AUCUN CAS EXCÉDER LE PRIX D'ACHAT DU PRODUIT VENDU PAR SAMSUNG ET À L'ORIGINE DES DOMMAGES ALLÉGUÉS. SANS LIMITER CE QUI SUIVIT, L'ACQUÉREUR PREND EN CHARGE TOUS LES RISQUES ET RESPONSABILITÉS CONCERNANT LA PERTE, LES DOMMAGES OU LES BLESSURES INFLIGÉES À L'ACQUÉREUR ET AUX BIENS DE CELUI-CI ET À TOUTE AUTRE PERSONNE ET BIENS RÉSULTANT DE L'UTILISATION, DE LA MAUVAISE UTILISATION DE L'APPAREIL OU DE L'INCAPACITÉ À UTILISER LE PRÉSENT APPAREIL VENDU PAR SAMSUNG ET QUI NE SERAIT PAS LIÉE DIRECTEMENT À UNE NÉGLIGENCE DE LA PART DE SAMSUNG. CETTE GARANTIE LIMITÉE N'EST VALABLE POUR PERSONNE D'AUTRE QUE L'ACHÉTEUR INITIAL DU PRODUIT, N'EST PAS TRANSFÉRABLE ET ÉNONCE VOTRE RECOURS EXCLUSIF.

Certains États n'autorisent pas de limitations quant à la durée des garanties implicites ni l'exclusion ou la limitation de dommages accessoires ou indirects; il se peut par conséquent que les limitations et exclusions énoncées ci-dessus ne s'appliquent pas à votre cas. Cette garantie vous confère des droits légaux précis; vous pouvez également avoir d'autres droits qui varient d'un État à l'autre.

Pour bénéficier d'un service d'assistance couvert par votre garantie, contactez SAMSUNG à l'adresse suivante :

1-800-SAMSUNG (726-7864) et www.samsung.com/ca/support (en anglais)
www.samsung.com/ca_fr/support (en français)

Notes



Balayez le code QR à l'aide de votre téléphone intelligent

Scannez le code QR* ou visitez le site web www.samsung.com/spsn pour regarder nos vidéos et nos émissions en direct.

* Exige d'installer le lecteur sur votre téléphone intelligent

Veillez noter que la garantie Samsung n'inclut PAS les déplacements du service après-vente pour expliquer le fonctionnement de l'appareil, corriger une installation non correcte ou exécuter des travaux de nettoyage ou d'entretien réguliers.

UNE QUESTION? DES COMMENTAIRES?

PAYS	APPELEZ-NOUS	OU CONSULTEZ NOTRE SITE À L'ADRESSE
USA Consumer Electronics	1-800-SAMSUNG (726-7864)	www.samsung.com/us/support
CANADA	1-800-SAMSUNG (726-7864)	www.samsung.com/ca/support (English) www.samsung.com/ca_fr/support (French)

