



BRAMBLE

PRODUCT TEARSHEET



Eton 3 Drawer Side Table

Shown in: **AFD**

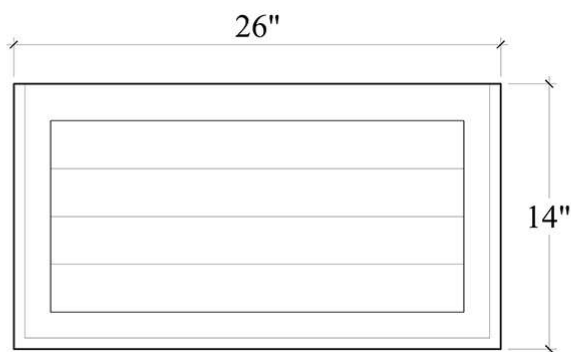
SKU: **10598**

Size: **26W x 14D x 31H in**

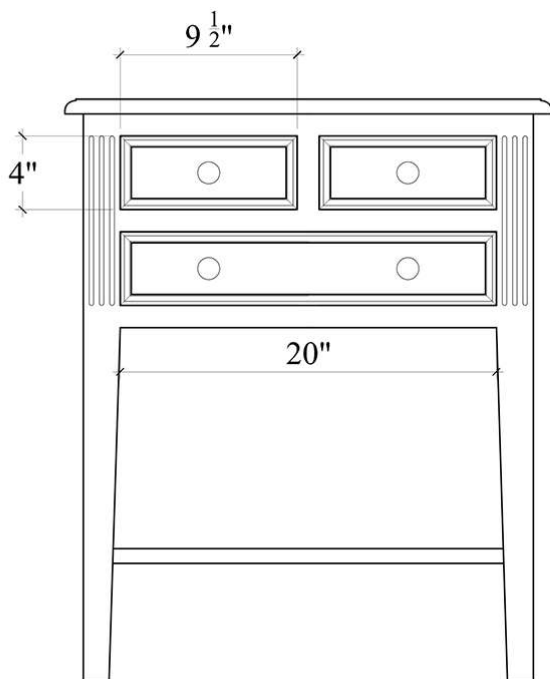


Overview

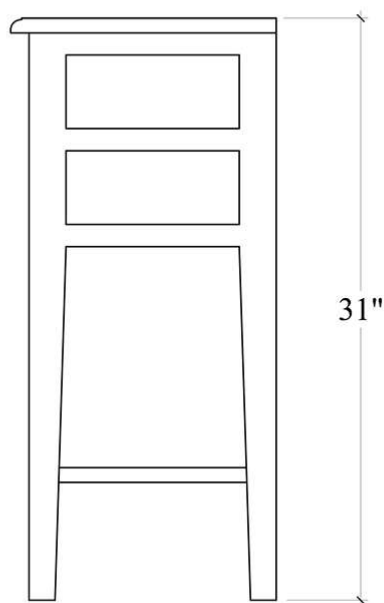
Fluted detailing lends classic elegance to this Eton 3-Drawer Side Table. Crafted with solid mahogany, this table adds organization and includes a lower shelf for easy display. This piece is offered with a vast array of finish and distress options to create a truly custom design.



TOP VIEW



FRONT VIEW



SIDE VIEW

Visual Highlights





Technical Specification

Dimensions	26W x 14D x 31H in	CBM	0.2408
Number of Packages	1	Cubic Feet	8.5 ft³
Package 1 Dimensions	29.1 x 17.3 x 36.6 in	Package 1 Weight	48.5 lbs
Package Weight Total	48.5 lbs	Net Weight	38.58 lbs
Material	Mahogany	Best Seller	

<https://www.brambleco.com/10598>
