

About the Wood and Finish

This product has been carefully crafted of: MDF, solid pine wood and/or pine veneers. These materials derive from plantations, a renewable and well managed forest, therefore, not endangering the environment. The highest quality standards have been implemented to assure a sturdy and reliable product. Due to the natural variances in the

graining of wood, you may notice subtle differences in the shading and tone of the color stain, warp, holes, wood knots and also small cracks. This is not a defect.

But rather a result of the natural beauty of the wood itself.



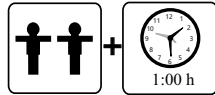
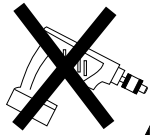
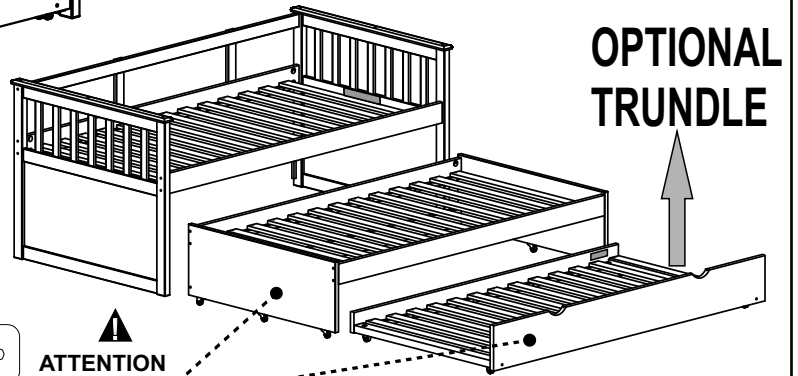
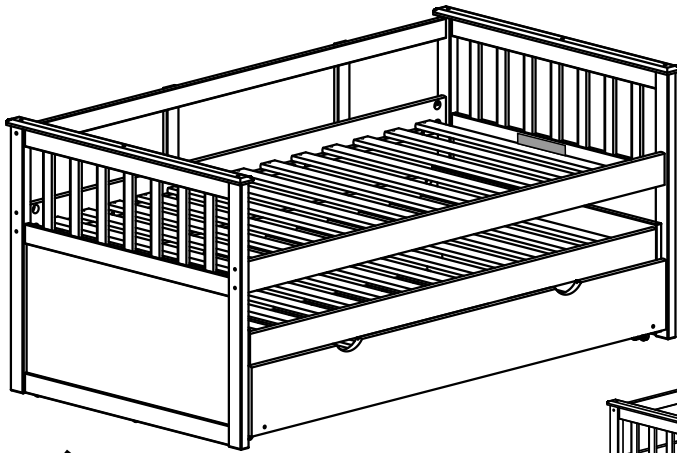
Care and maintenance:

Dust when needed using a smooth, dry cloth. Household furniture polish can be used occasionally to restore luster.

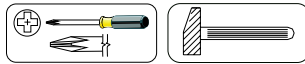
ACME FURNITURE

ASSEMBLY INSTRUCTIONS

39080 DAYBED



Tools Required



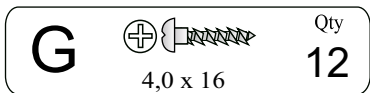
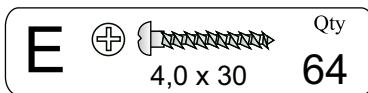
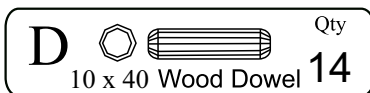
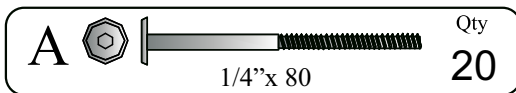
(Not included)



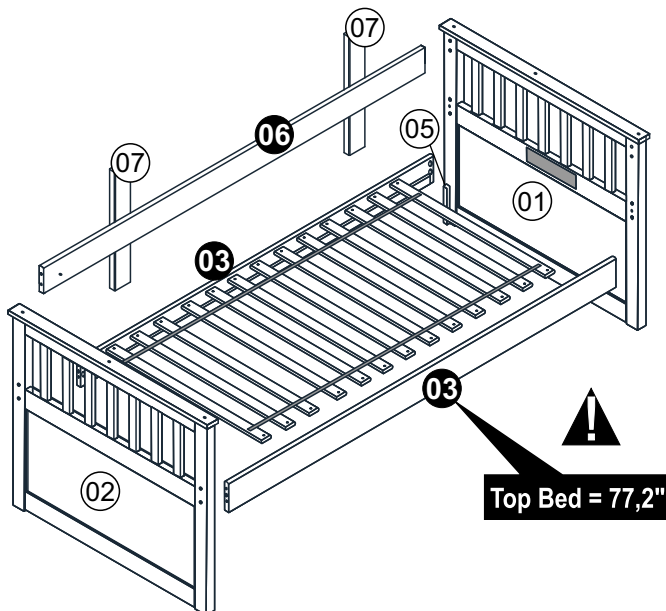
MATTRESS SIZE MAXIMUM 7" HIGH

* Use of power tool to assemble this product will invalidate any claim and damage this product making unsafe !!!
* Please assemble on a clean soft surface to avoid damage.

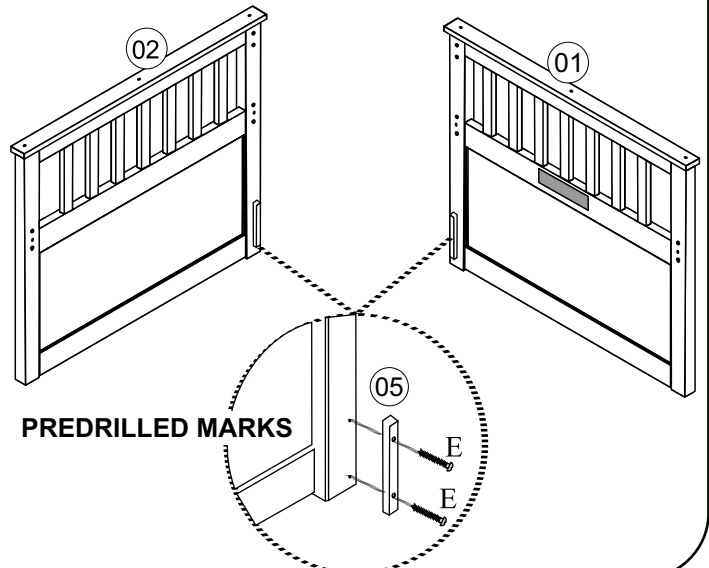
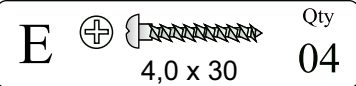
Identifying the Hardware/part list - Identify the hardware using the illustrations below



Part List - Bed

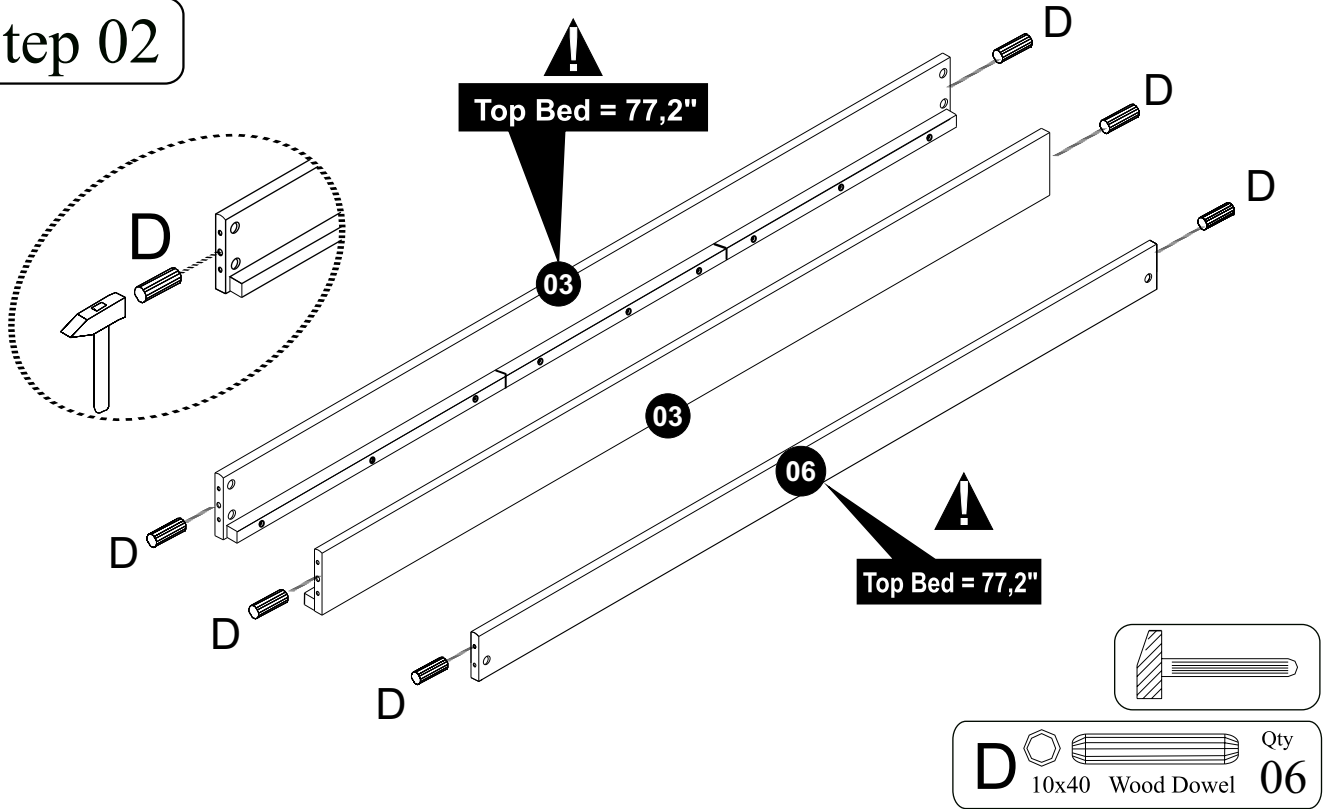


Step 01



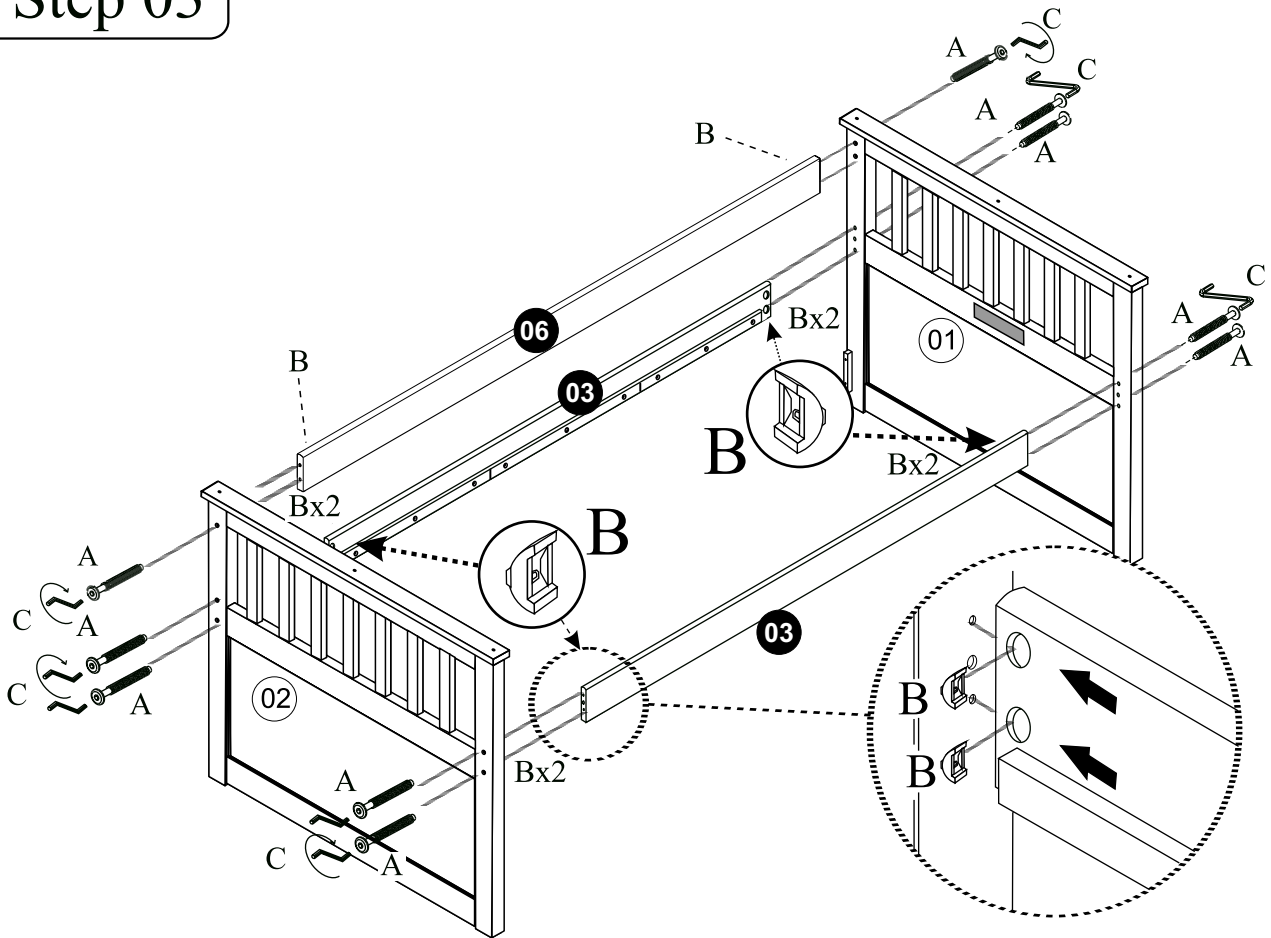
PREDRILLED MARKS

Step 02



D		10x40	Wood Dowel	Qty	06
----------	--	-------	------------	-----	-----------

Step 03

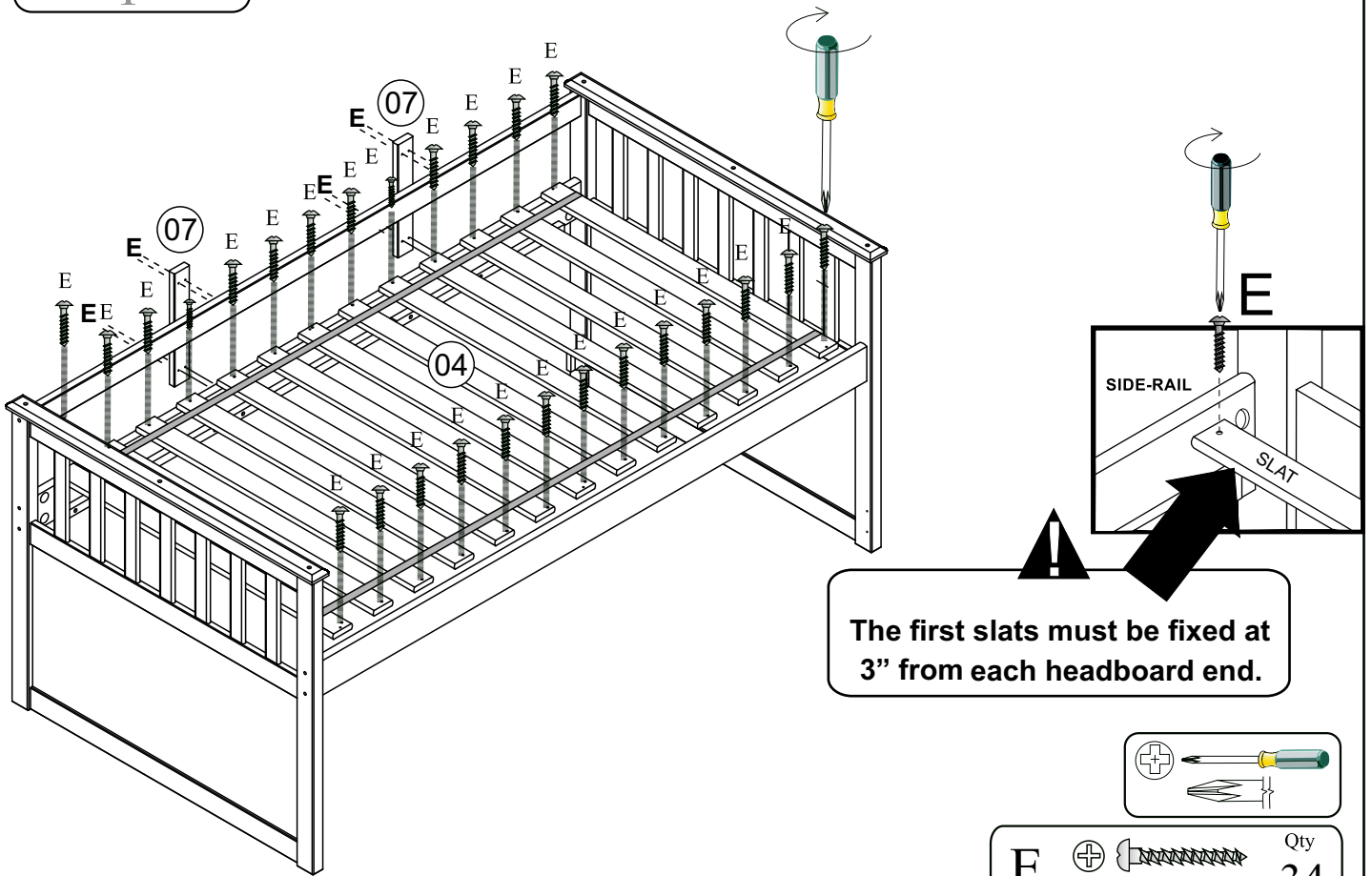


A		1/4" x 80	Qty	10
----------	--	-----------	-----	-----------

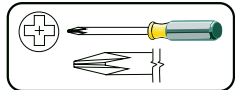
B		1/4" Half Moon	Qty	10
----------	--	----------------	-----	-----------

C		Hex Screwdriver	Qty	01
----------	--	-----------------	-----	-----------

Step 04

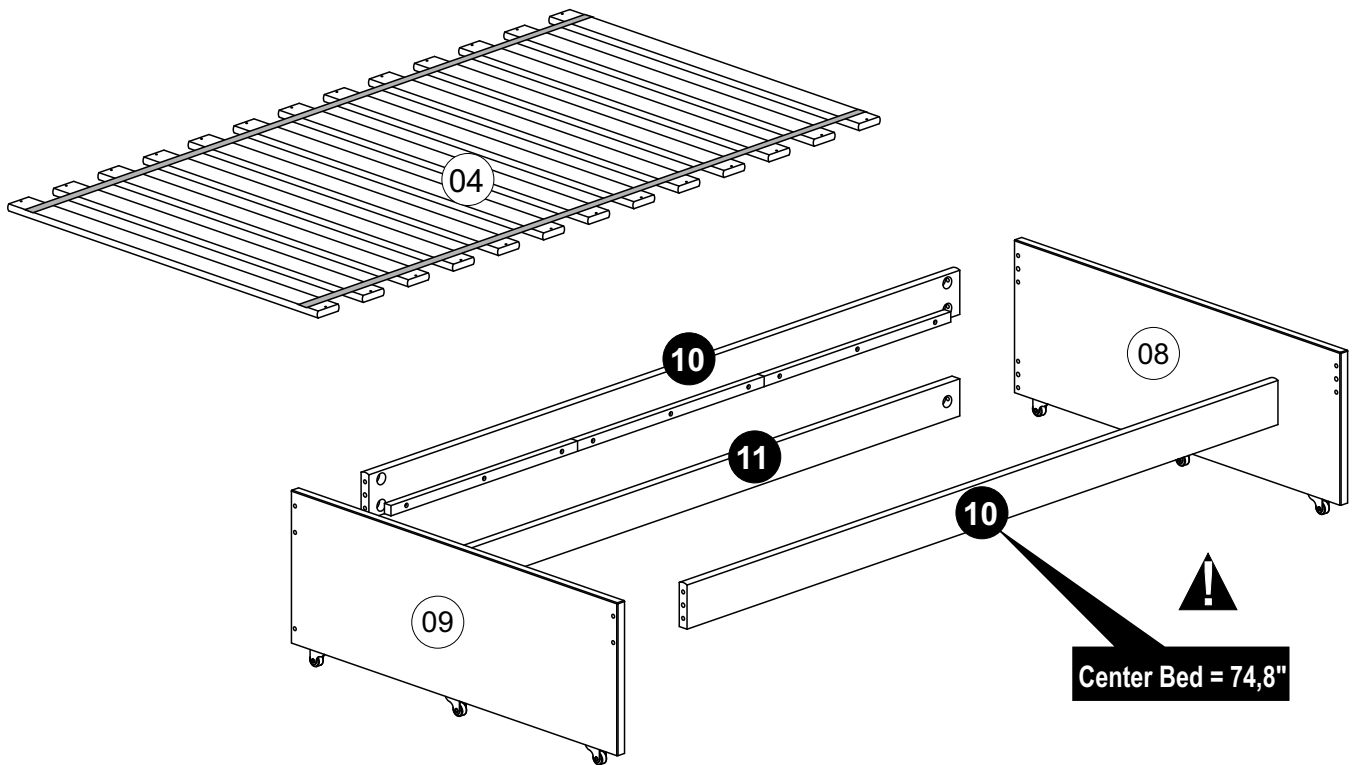


The first slats must be fixed at 3" from each headboard end.



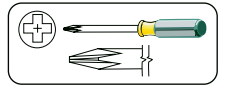
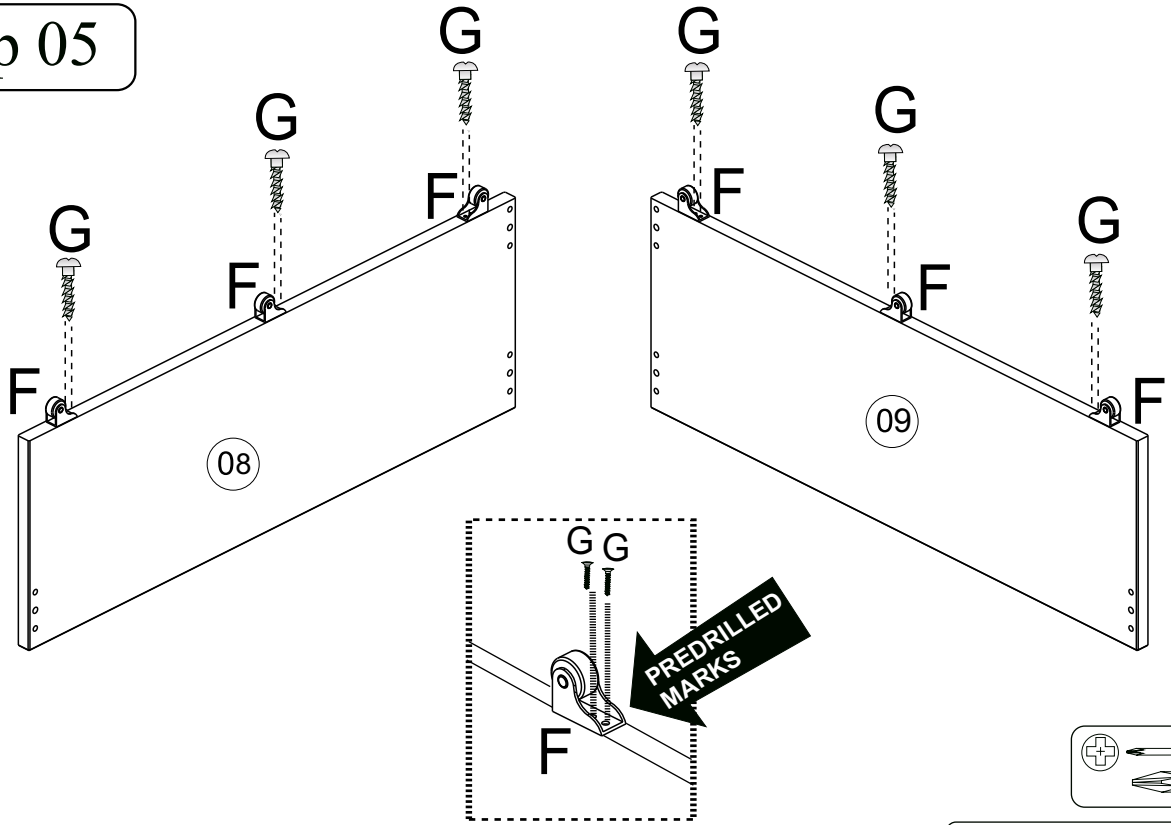
E		Qty
	4,0 x 30	34

Part List - Center Bed



Center Bed = 74,8"

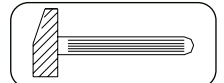
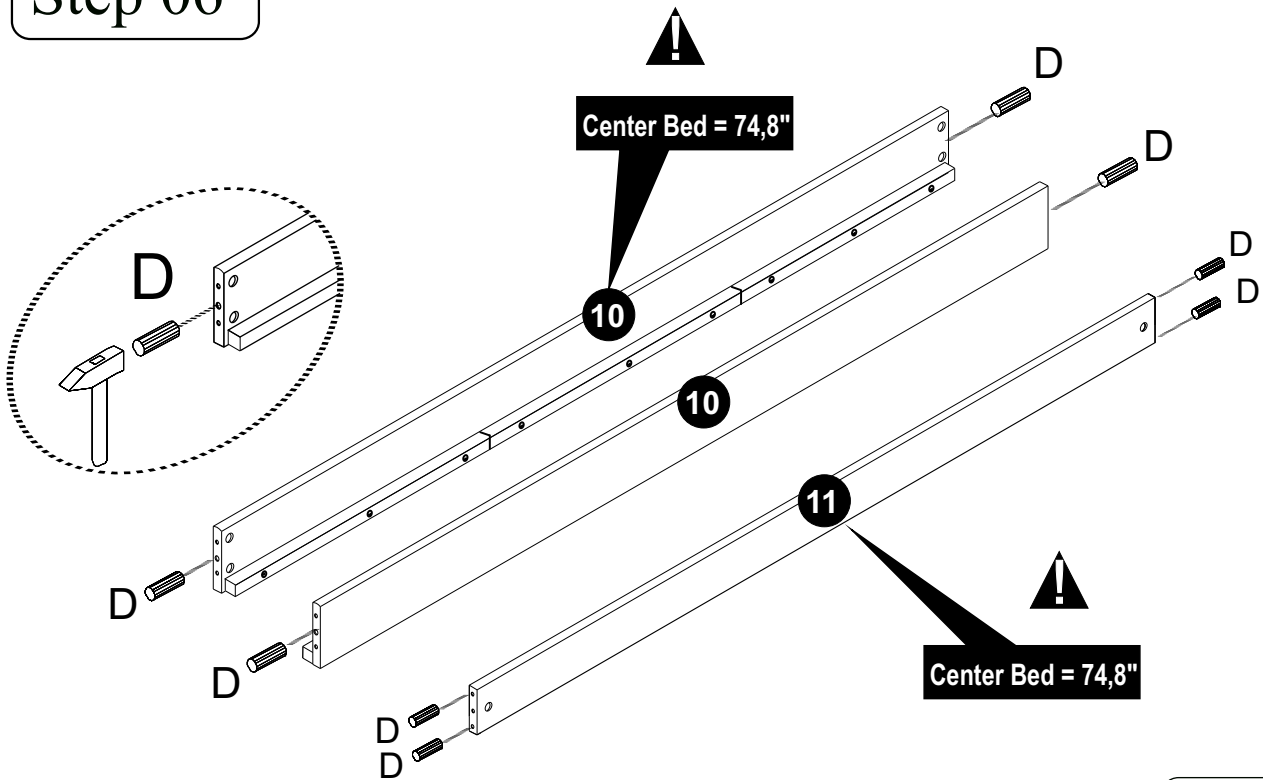
Step 05



F		Qty 06
---	--	------------------

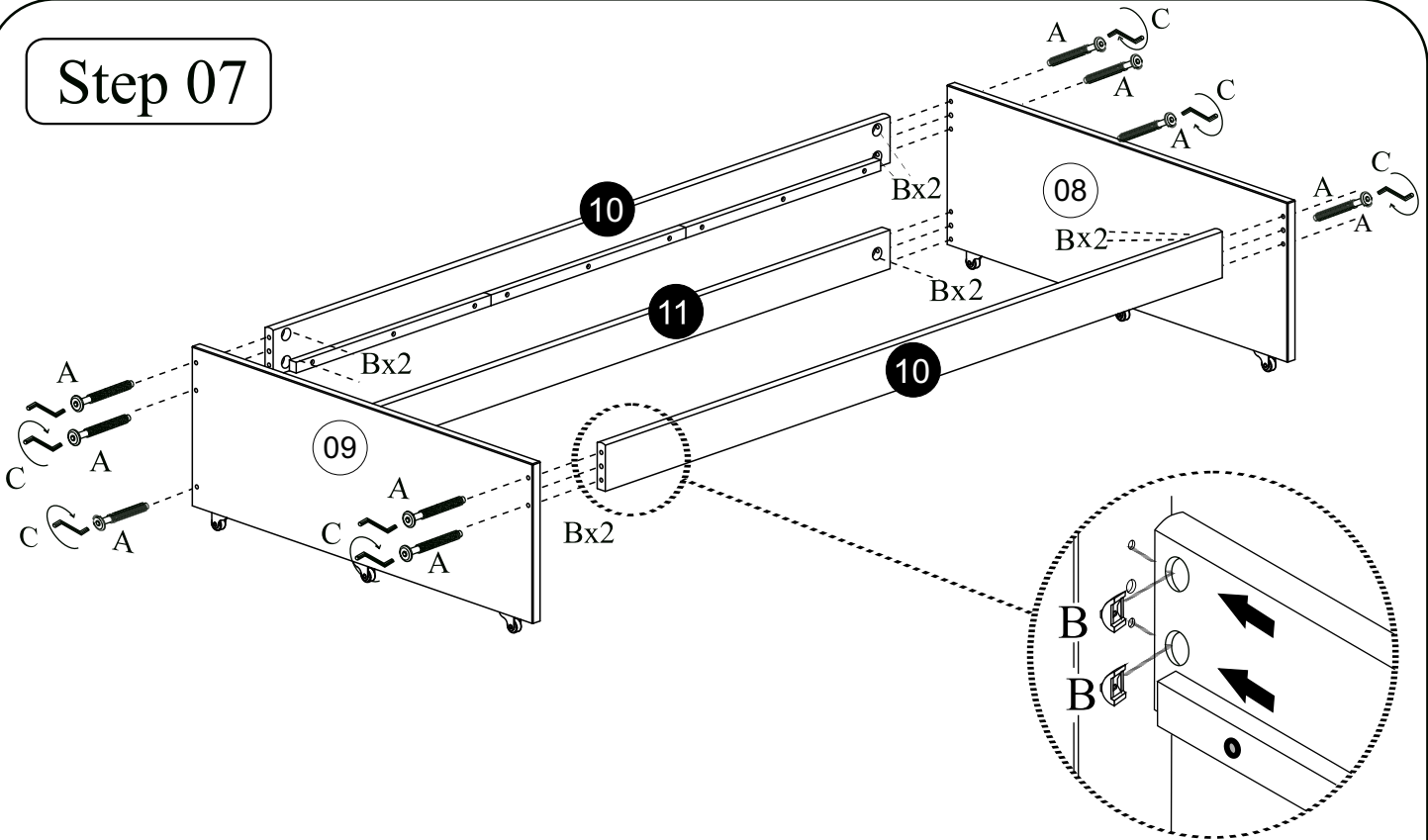
G		Qty 12
4,0 x 16		


Step 06



D		Qty 08
10x40 Wood Dowel		

Step 07

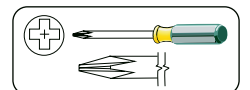
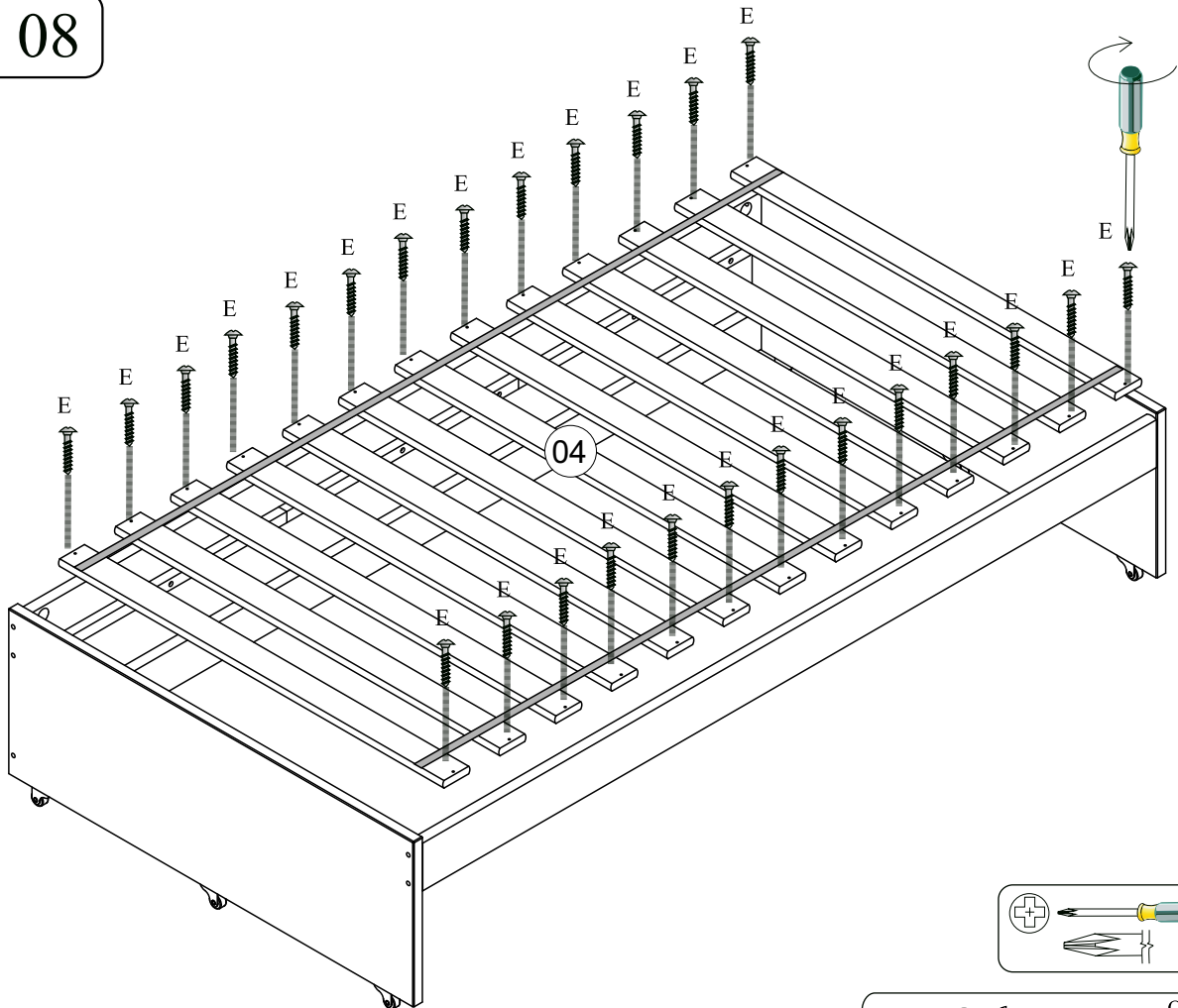


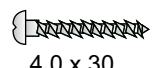
A  Qty 10
1/4" x 80

B  Qty 10
1/4" Half Moon

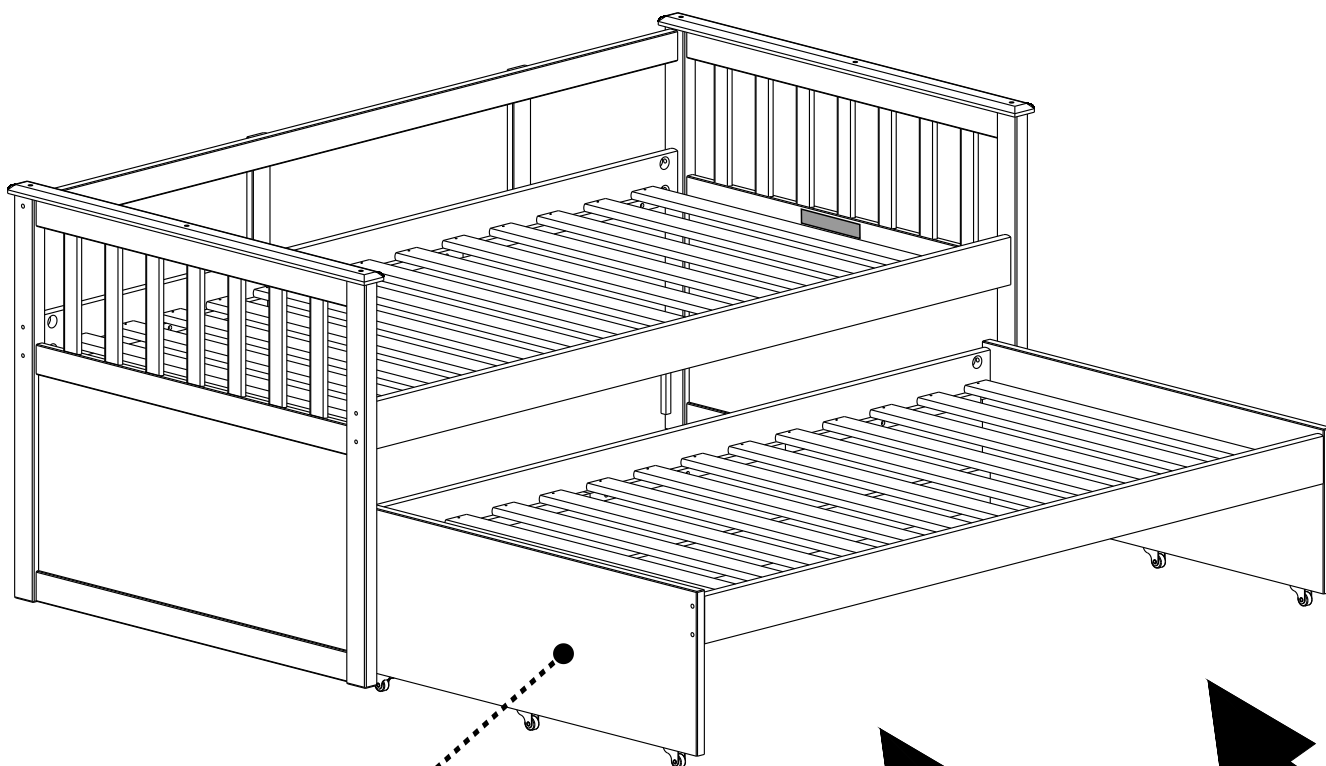
C  Qty 01
Hex Screwdriver

Step 08



E  Qty 26
4,0 x 30

Step 09



ATTENTION

MATTRESS SIZE MAXIMUM 7" HIGH

