

ASSEMBLY INSTRUCTIONS
COASTER FINE FURNITURE



Fine Furniture for every stage of life

915152
STORAGE BENCH

ITEM:915152

ASSEMBLY INSTRUCTIONS

ASSEMBLY TIPS:

1. Remove hardware from box and sort by size.
2. Please check to see that all hardware and parts are present prior to start of assembly.
3. Please follow attached instructions in the same sequence as numbered to assure fast & easy assembly.



WARNING!

1. Don't attempt to repair or modify parts that are broken or defective. Please contact the store immediately.
2. This product is for home use only and not intended for commercial establishments.

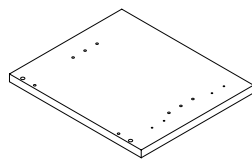


ASSEMBLY TIME

60 MINUTES

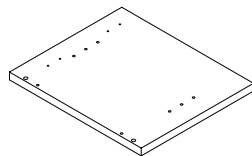
PARTS IDENTIFICATION

A LEFT SIDE PANEL



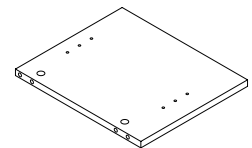
1 PC

B RIGHT SIDE PANEL



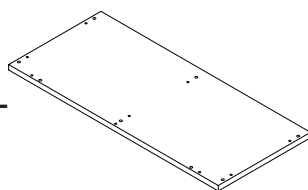
1 PC

C MIDDLE DIVIDER PANEL



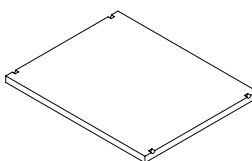
1 PC

D BOTTOM PANEL



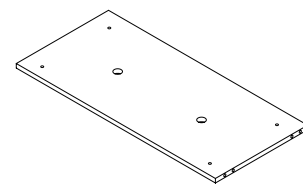
1 PC

E ADJUSTABLE SHELF



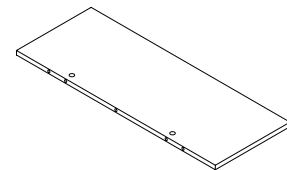
2 PCS

F TOP PANEL



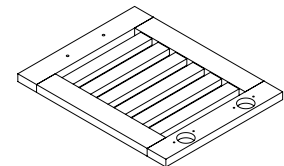
1 PC

G BACK PANEL



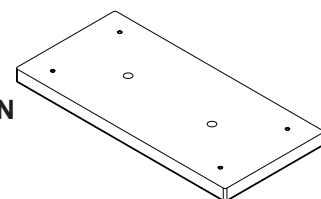
1 PC

H DOOR



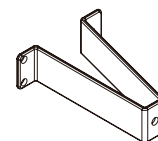
2 PCS

I SEAT CUSHION



1 PC

J LEG

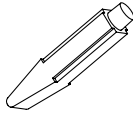
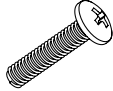
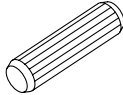
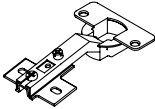
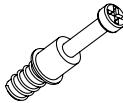


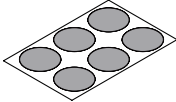


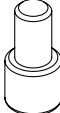
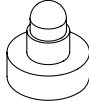

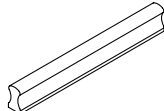


4 PCS

NOTE:

Phillips head screw driver is required in the assembly process; however, manufacturer does not provide this item.

HARDWARE IDENTIFICATION

Z							
NO	DESCRIPTION	FIGURE	Q'TY	NO	DESCRIPTION	FIGURE	Q'TY
1	GLUE 15g		1 PC	9	HANDLE BOLT BLK		4 PCS
2	WOODEN DOWEL Ø8x30mm		17 PCS	10	HINGE Ø35mm SR		4 PCS
3	CAM BOLT Ø7x35.5mm SR		8 PCS	11	HINGE SCREW Ø4x15mm SR		16 PCS
4	CAM LOCK Ø15x12mm SR		8 PCS	12	STICKER Ø20mm		2 PCS
5	LONG SCREW Ø 4.5x42mm SR		9 PCS	13	SCREW Ø 5x19mm BLK		12 PCS
6	PIN FOR ADJUSTABLE SHELF Ø4.9x15mm SR		8 PCS	14	PLASTIC FEET		4 PCS
7	BOLT M6x25mm BLK		4 PCS				
8	HANDLE L= 120mm BLK		2 PCS				

Z8,Z9,Z10,Z11,Z12,Z13 not included in blister packaging.

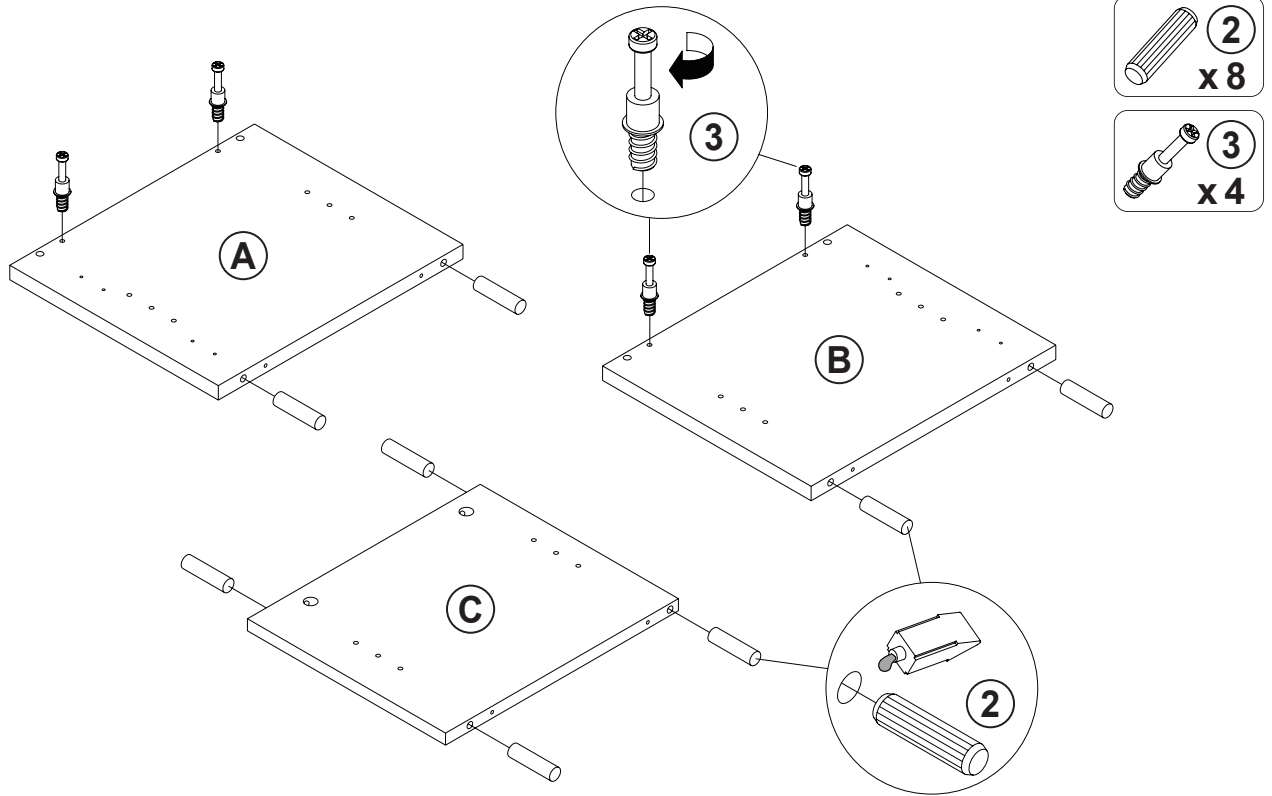
NOTE:

Phillips head screw driver is required in the assembly process; however, manufacturer does not provide this item.

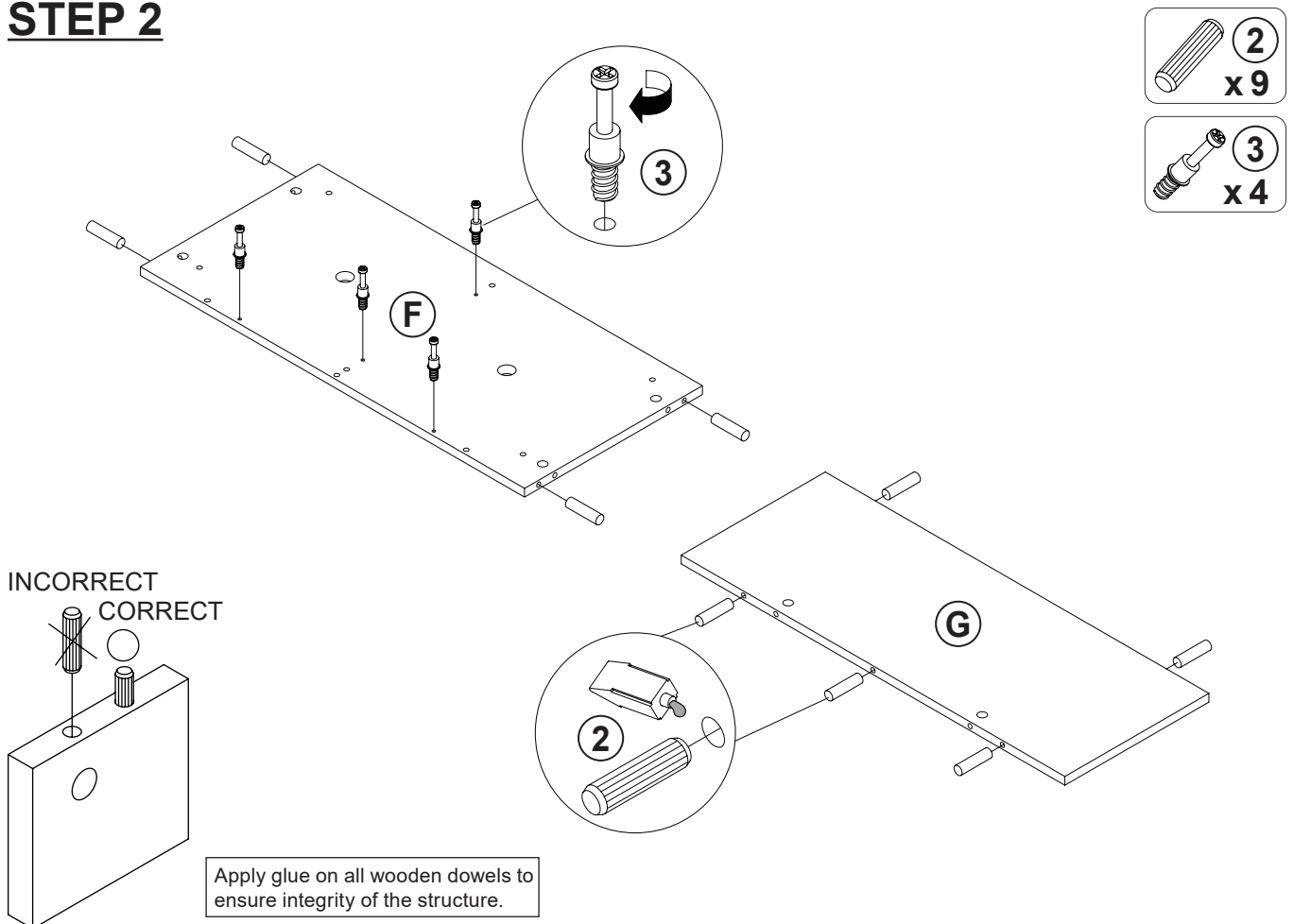
ITEM: 915152

COASTER
FINE FURNITURE

STEP 1



STEP 2

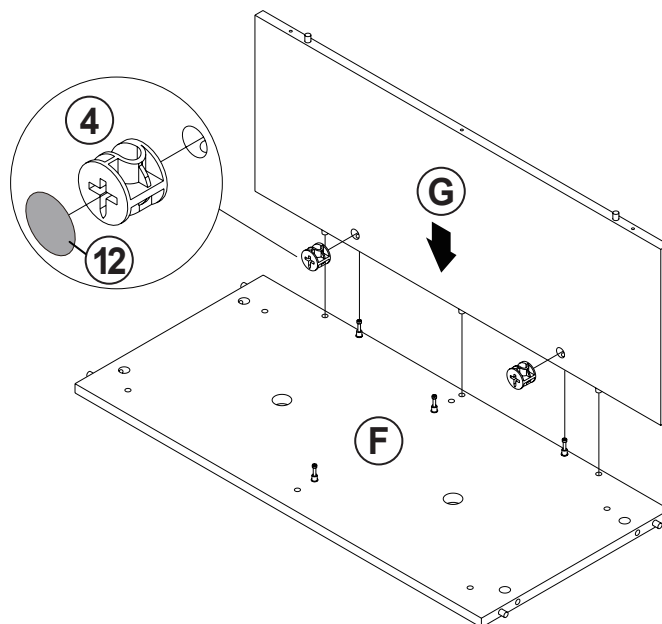
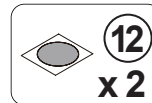


ITEM: 915152

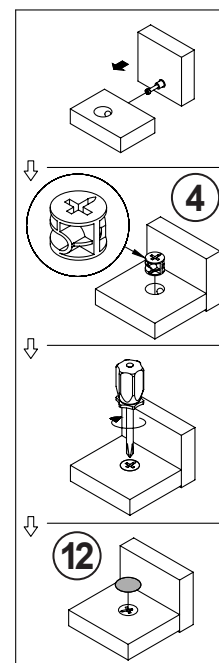
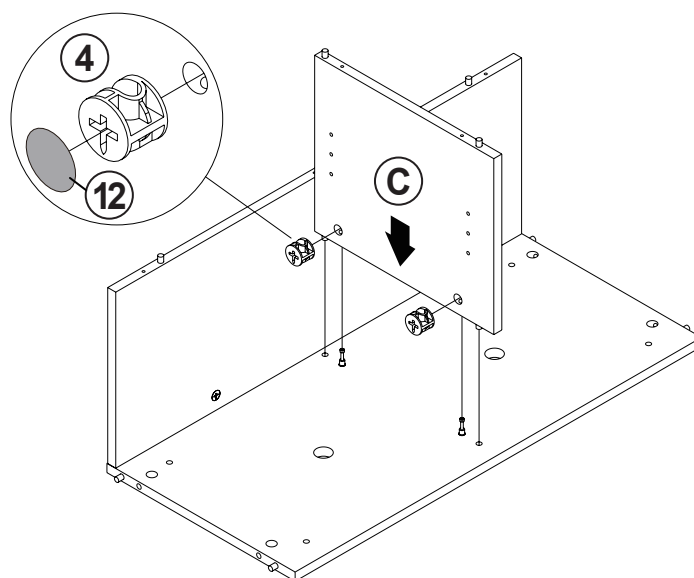
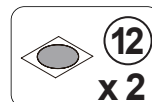
COASTER[®]

FINE FURNITURE

STEP 3



STEP 4

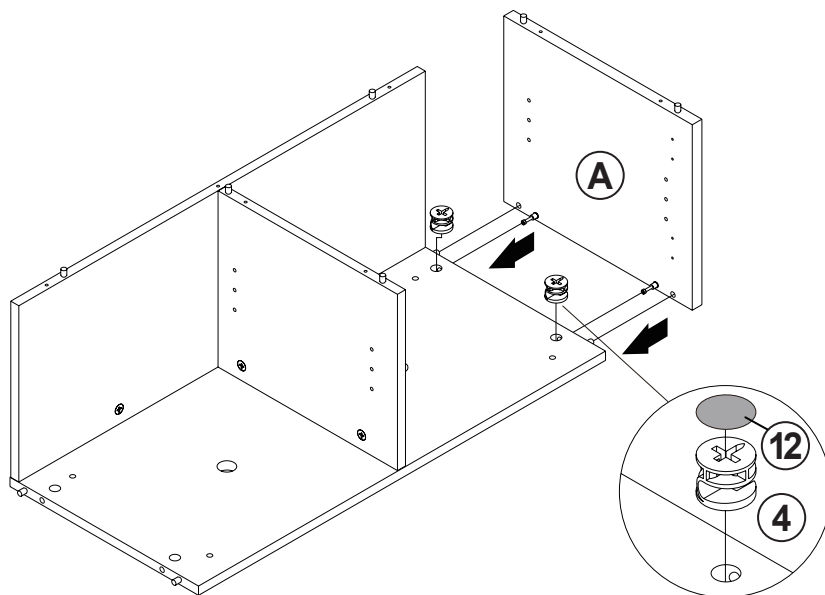
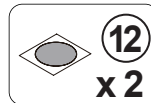


ITEM:915152

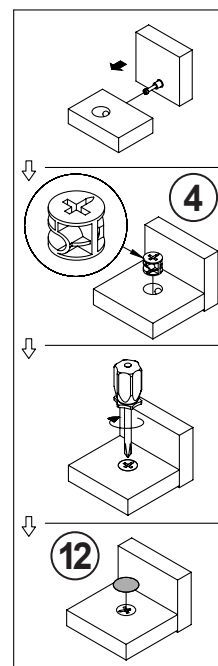
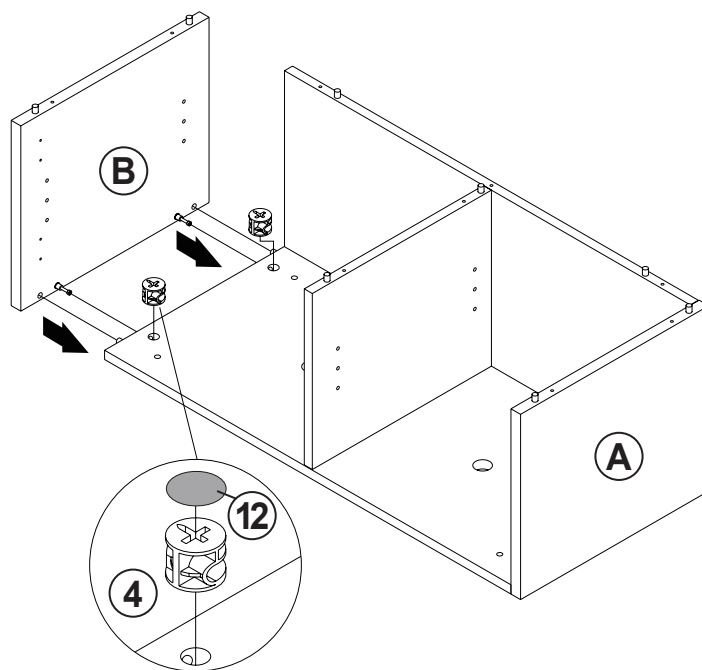
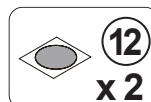
COASTER[®]

FINE FURNITURE

STEP 5



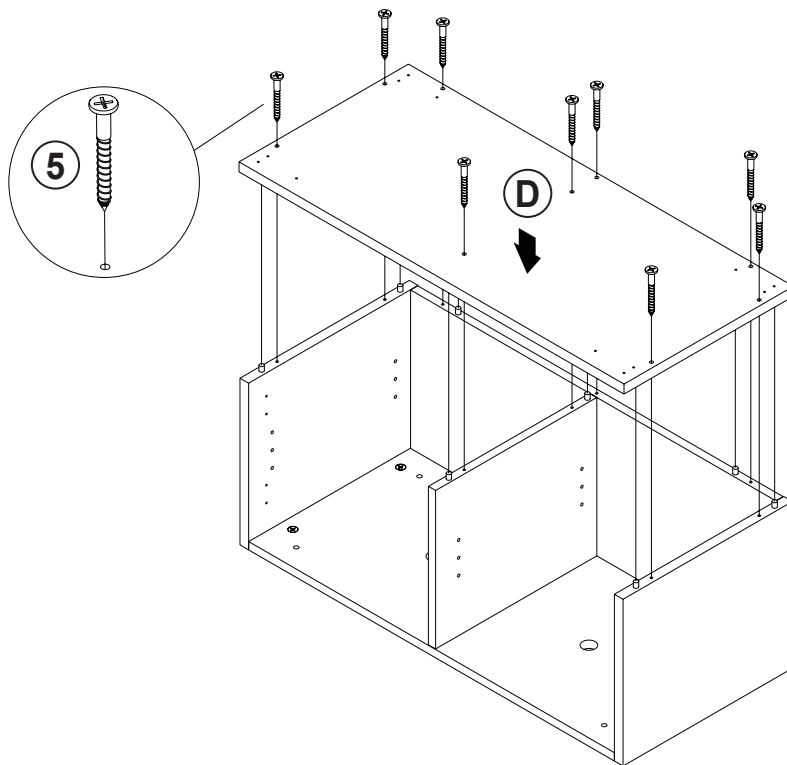
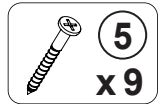
STEP 6



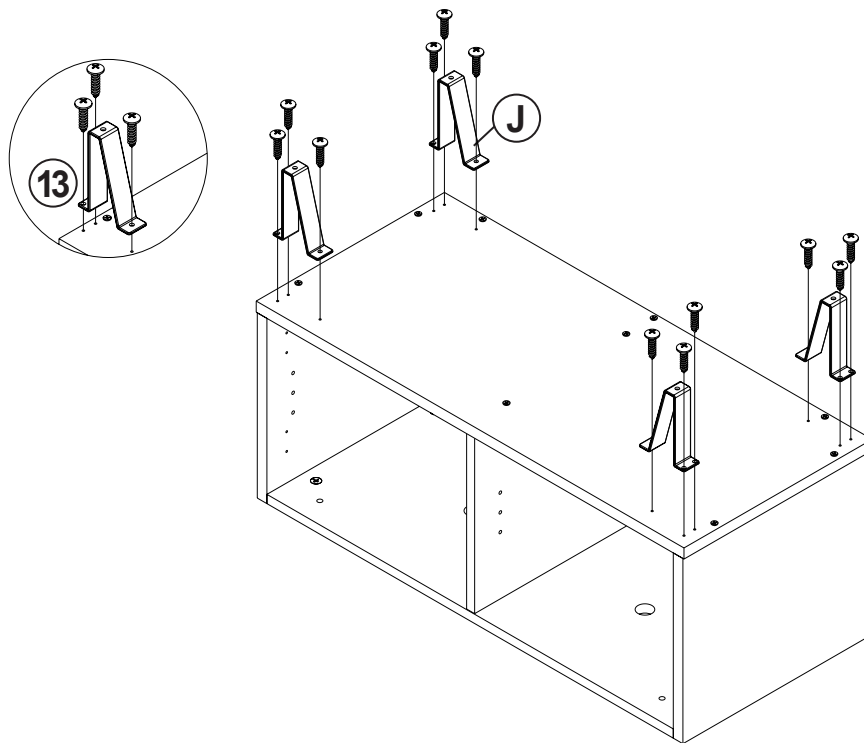
ITEM: **915152**

COASTER
FINE FURNITURE

STEP 7



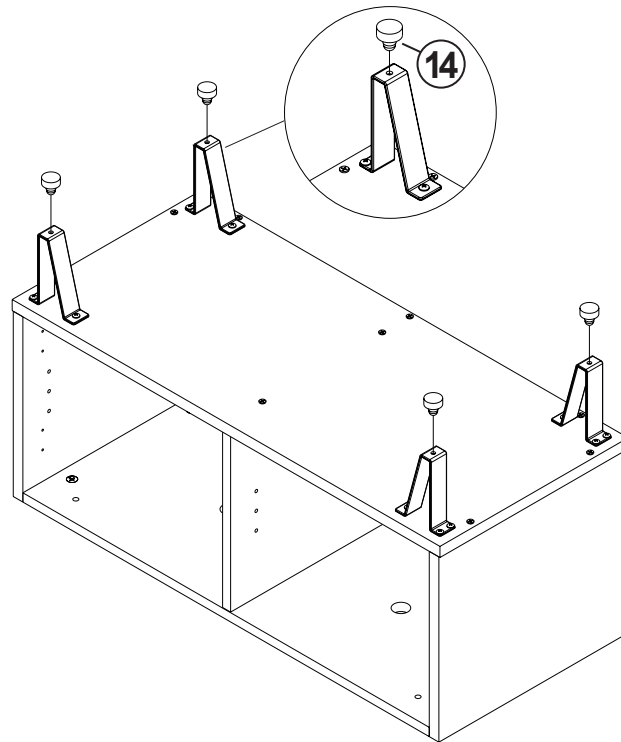
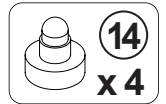
STEP 8



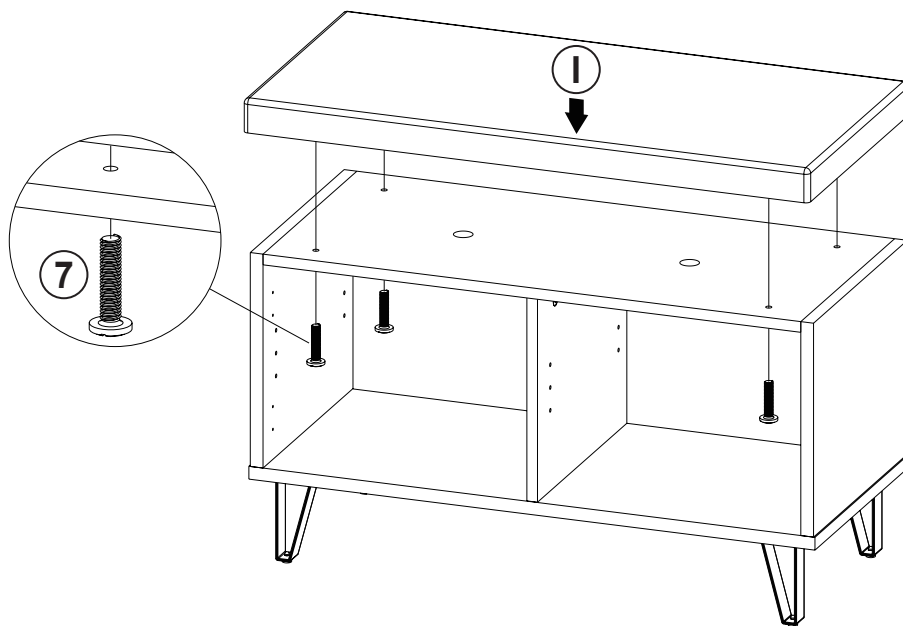
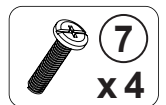
ITEM: 915152

COASTER
FINE FURNITURE

STEP 9



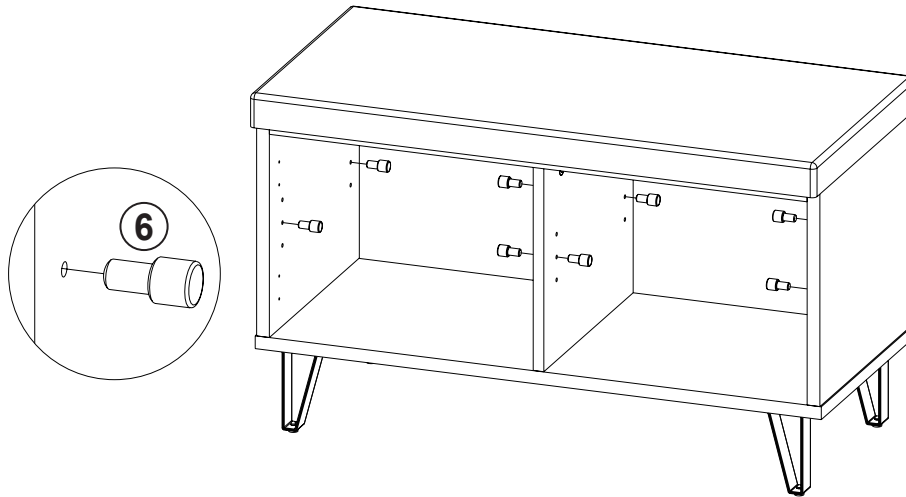
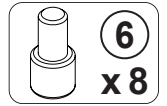
STEP 10



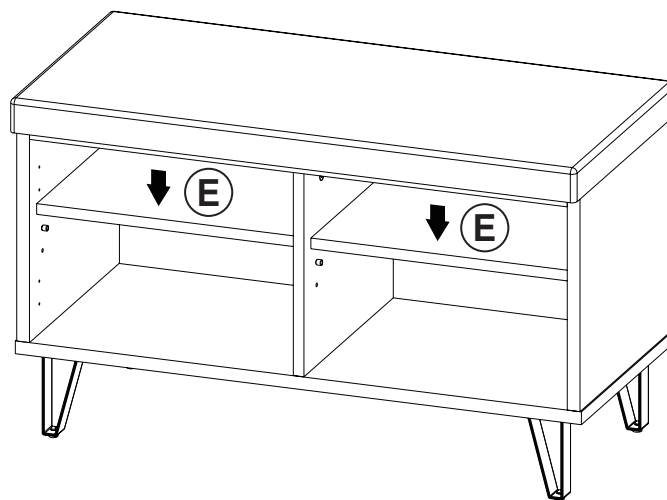
ITEM: **915152**

COASTER[®]
FINE FURNITURE

STEP 11



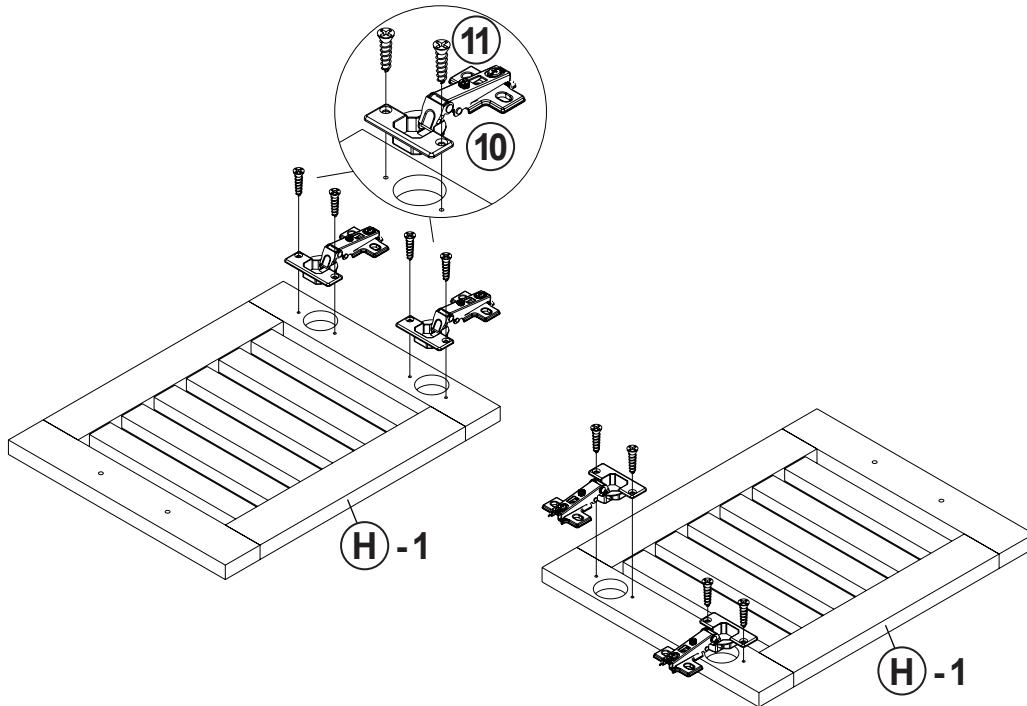
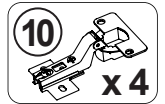
STEP 12



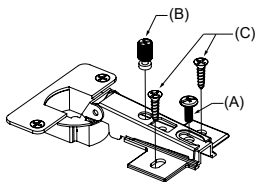
ITEM: **915152**

COASTER
FINE FURNITURE

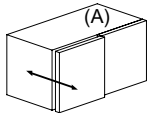
STEP 13



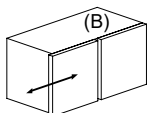
STEP 14



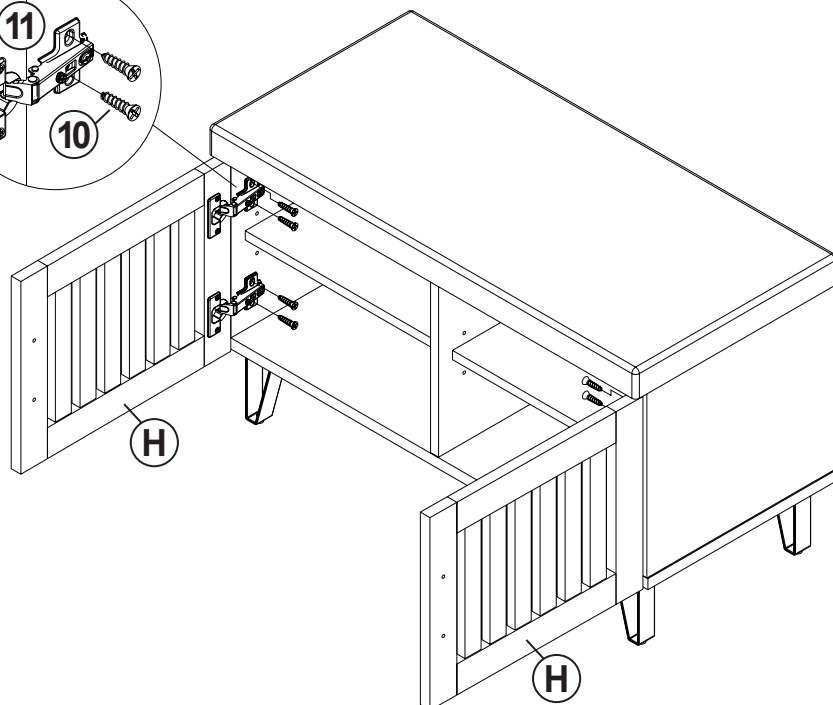
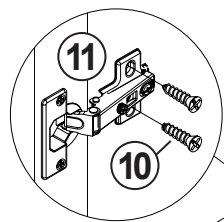
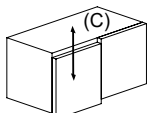
HORIZONTAL BY
SCREW A ADJUSTMENT



LATERAL BY
SCREW B ADJUSTMENT



VERTICAL BY
SCREW C ADJUSTMENT

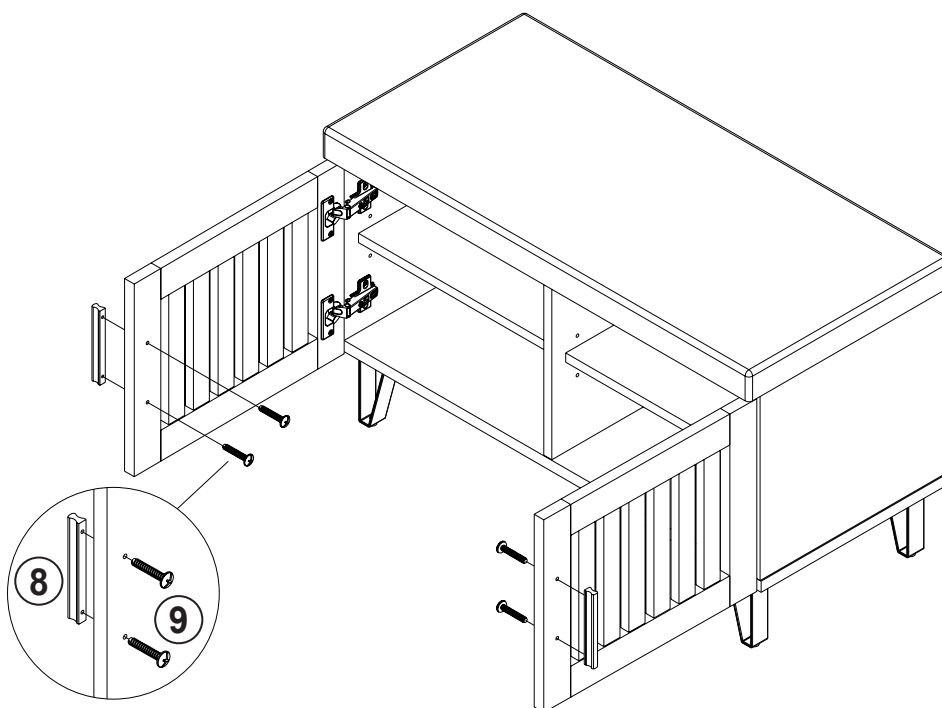
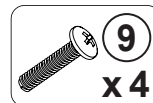
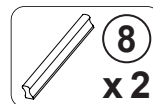


ITEM: **915152**

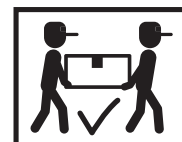
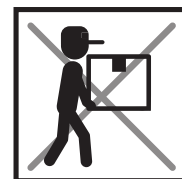
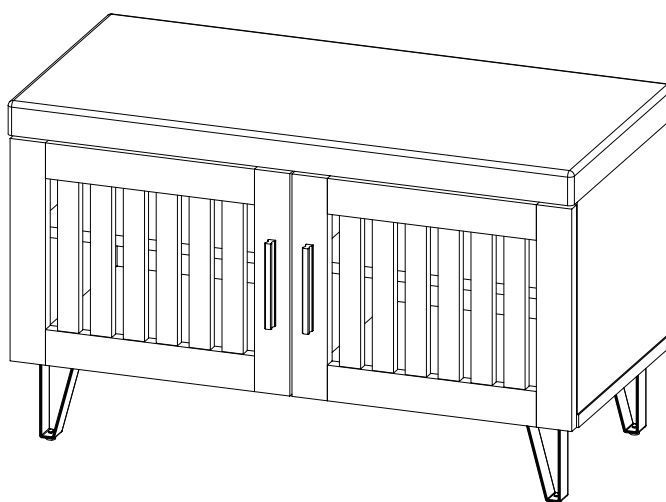
COASTER[®]

FINE FURNITURE

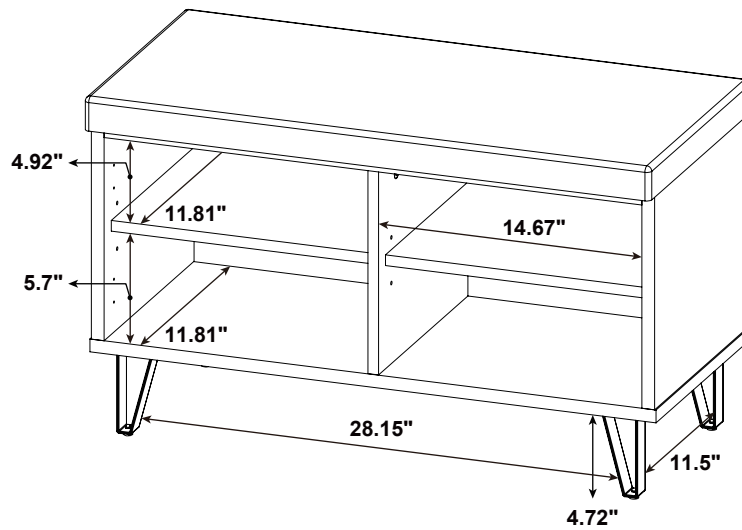
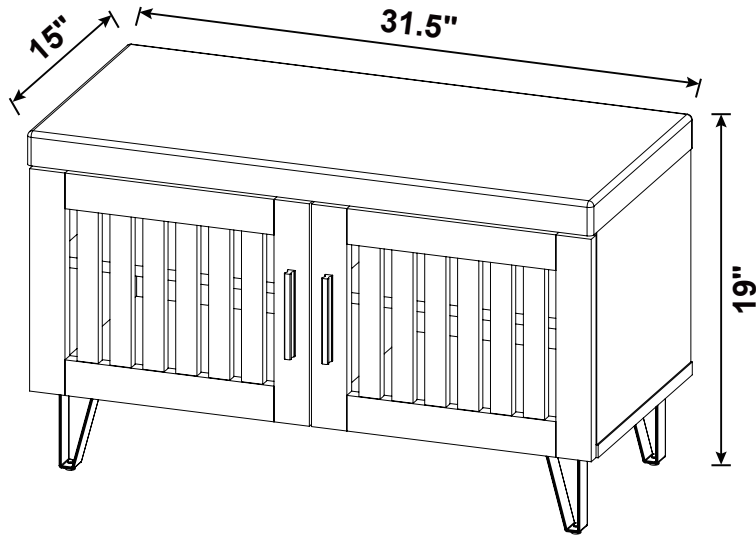
STEP 15



STEP 16
COMPLETE



ITEM:915152



Note : Dimension tolerance $\pm 5\%$