

**FISHER & PAYKEL**



**ACTIVESMART™**  
**INTEGRATED REFRIGERATOR**

**FRAMED AND FRAMELESS CABINERY**

---

**RS36W and RS91W Models**

**DUAL INSTALLATION GUIDE**

**NZ AU GB IE HK SG IN US CA**



## FOLLOW THE INSTALLATION SEQUENCE

---

① Safety and warnings	3
② Dual Installation	3
③ Components list	4
④ Alcove dimensions	5
⑤ Attaching foam pads	5
⑥ Removing hinge bracket and fitting alcove bracket	6
⑦ Attaching top joiner bracket and alcove fixing bracket to alcove	7
⑧ Location of products into alcove – Right product	8
⑨ Location of products into alcove – Left product	9
⑩ Preparing for centre trim	10
⑪ Attaching the centre trim and toe kick	11



## ① SAFETY AND WARNINGS

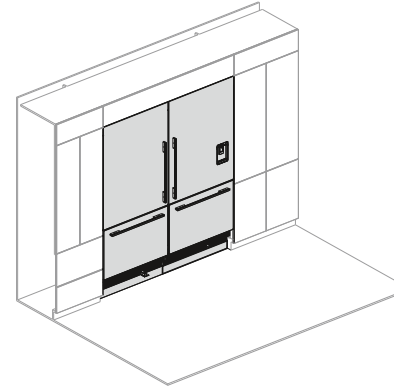
### ⚠ WARNING!



**This appliance is top-heavy and must be secured to prevent the possibility of tipping forward.**  
**To ensure that the appliance is stable under all loading conditions, the anti-tip bracket and fittings supplied must be installed according to the following installation instructions by a professional installer.**

## ② DUAL INSTALLATION

Dual installation refers to the joining of 1 x RS91WR model with 1 x RS91WL model or 1 x RS36WR model with 1 x RS36WL model.



RS91WR MODELS	RS91WL MODELS
RS91WRJ FP	RS91WLJ FP
RS91WRU FP	
RS36WR MODELS	RS36WL MODELS
RS36W80RJ FP	RS36W80LJ FP
RS36W80RU FP	
RS36WRJC DCS	RS36WLJC DCS
RS36WRUC DCS	

This booklet refers to left hinge and right hinge products.

### IMPORTANT!

- Each refrigerator requires a water supply and shut off valve. Use a solid brass type splitter if both refrigerators are supplied from the one water supply.
- Ensure the dual power outlet is suitable for two right angled plugs.
- Extension cords should not be used in the dual installation.

### IMPORTANT!

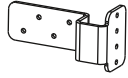
For correct and complete installation of your refrigerator(s) follow the 'Installation guide' booklet supplied with your refrigerator. This booklet is supplementary providing instructions which are unique to dual installation.

### IMPORTANT! SAVE THESE INSTRUCTIONS

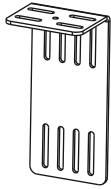
The models shown in this installation guide may not be available in all markets and are subject to change at any time. For current details about model and specification availability in your country, please go to our website [www.fisherpaykel.com](http://www.fisherpaykel.com) or [www.dcsappliances.com](http://www.dcsappliances.com) or contact your local Fisher & Paykel dealer.

### 3 COMPONENTS LIST

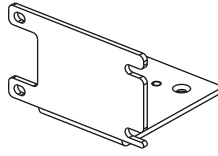
Included with the Dual Install kit.



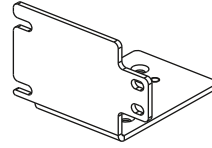
Joiner bracket  
(1)



Alcove fixing bracket  
(1)



Right hinge refrigerator  
alcove bracket  
(1)



Left hinge refrigerator  
alcove bracket  
(1)



Foam pads  
(6)



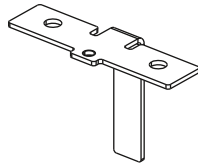
Spring clips (provided with  
the appliance)  
(6)



Centre trim  
(1)



Toe kick  
(1)



Bottom joiner bracket  
(1)



M8 nut  
(1)



M8 set screw  
(1)

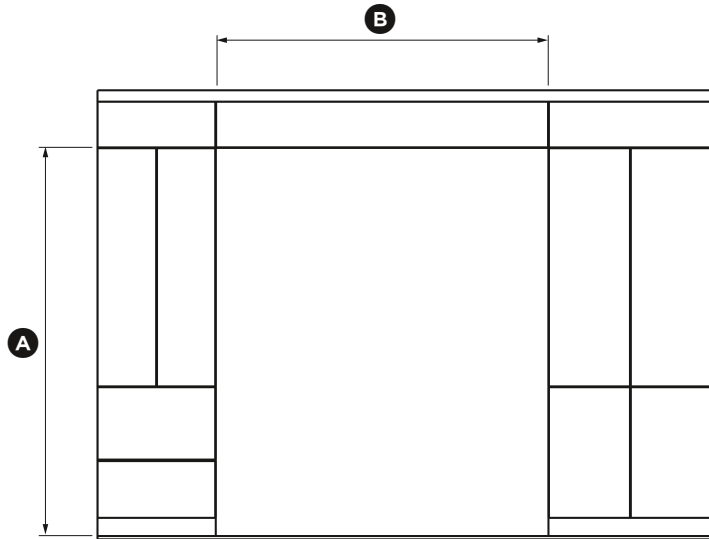


M5 x 12 Socket head cap screw  
(11)



#8 x 16 wash  
washer screw  
(5)

## ④ ALCOVE DIMENSIONS



### ALCOVE DIMENSIONS

	inches (mm)
Ⓐ Overall height of alcove	84" (2134)
Ⓑ Overall width of alcove	72" (1829)

## ⑤ ATTACHING FOAM PADS

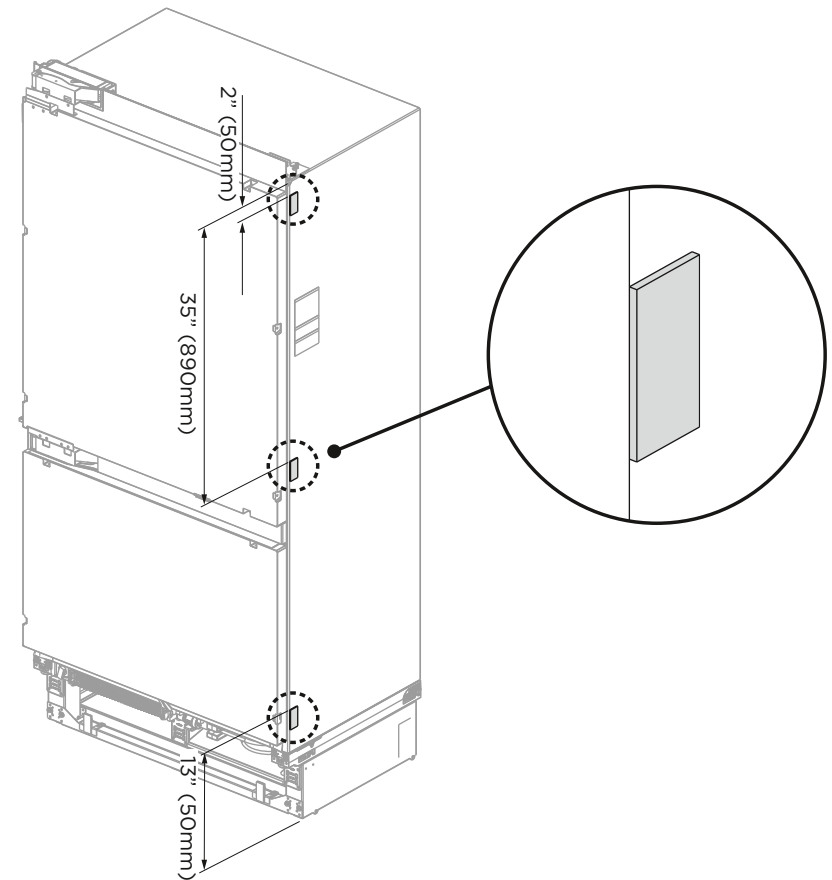
① Measure and attach foam pads to three locations down the right side of the left hinge refrigerator. (Align the **top** of the foam pad to your measurement mark. Align the side of the foam pad with the front edge of the cabinet).

- 2" (50mm) from the cabinet top.
- 35" (890mm) from the cabinet top.
- 13" (50mm) from the floor.

Repeat on the left side of the right hinge product.

### IMPORTANT!

Foam pads should be placed at identical heights on left and right hinge refrigerators to ensure good fit of joiner trim.

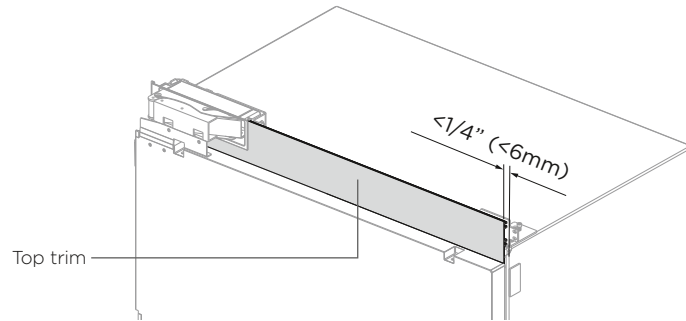


## ⑥ REMOVING HINGE BRACKET AND FITTING ALCOVE BRACKET

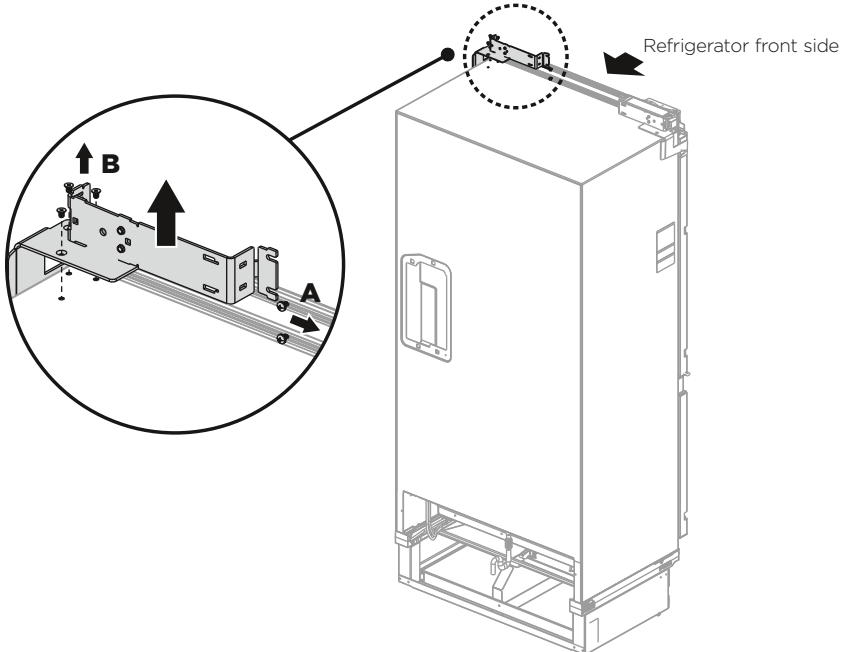
Start with the left hinge refrigerator and repeat the process on the right hinge refrigerator.

### Removing hinge bracket

Follow the steps below to remove the hinge bracket (non hinged side) and fit the alcove bracket. This process is required for both left and right hinge refrigerators.

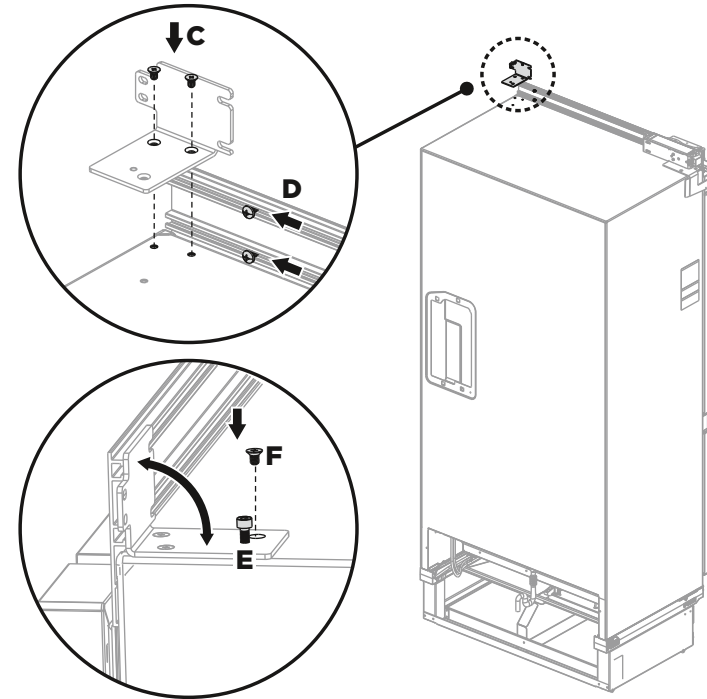


- ① Ensure the distance between the end of the top trim and the side of the cabinet is not greater than 1/4" (6mm). If distance is greater than 1/4" (6mm), loosen the pan head Phillips screws at the back of the trim and shift the trim sideways to suit.
- ② On the right hand side (when facing the front side of the refrigerator), loosen the M5 x 10 pan head Phillips top trim attachment screws. Shift screws towards the centre of the trim, (refer to **A**).
- ③ Remove the right hinge bracket from the left hinge refrigerator by unscrewing the countersunk Phillips head screws with a Phillips head screwdriver (refer to **B**).



### Fitting alcove bracket

- ④ Screw the front two M5 x 8 countersunk Phillips screws (refer to **C**). Check that the top face of the front trim is parallel to the refrigerator.
- ⑤ Shift M5 x 10 pan head Phillips trim attachment screws into the slots in the alcove bracket, (refer to **D**).
  - If the front trim is not parallel to the refrigerator, screw the jacking screw supplied: M5 x 12 Socket head cap screw (refer to **E**) to adjust the trim position.
- ⑥ When the front trim is parallel to the refrigerator, secure the alcove bracket with the third countersunk screw (refer to **F**).

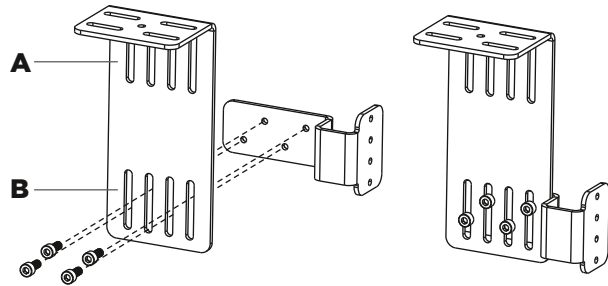


Repeat process of removing hinge bracket and fitting alcove bracket on the right hinge refrigerator.

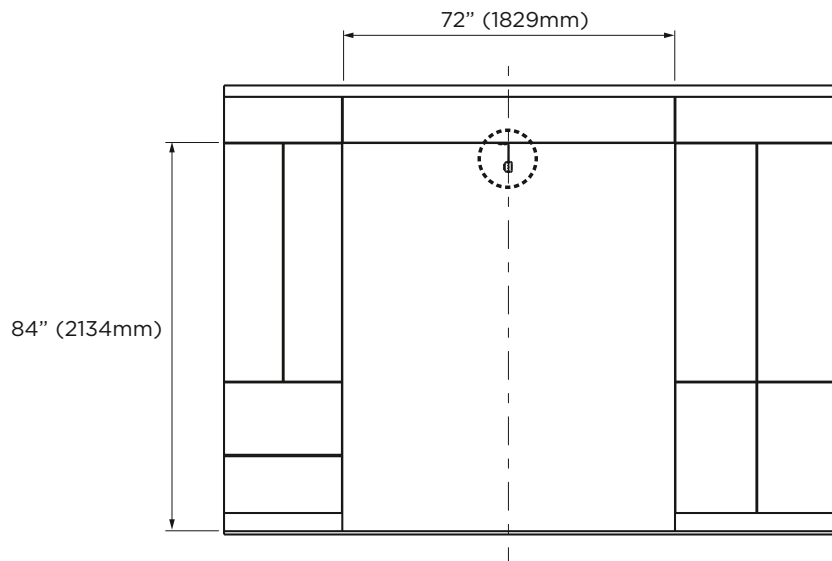


## 7 ATTACHING TOP JOINER BRACKET AND ALCOVE FIXING BRACKET TO ALCOVE

- ① Use M5 x 12 Socket head cap screws to connect the top joiner bracket to the alcove fixing bracket.
- For 80" (2032mm) installation, use the upper slots of the alcove fixing bracket (refer to **A**).
  - For 84" (2134mm) installation, use the lower slots of the alcove fixing bracket (refer to **B**).



- ② Measure the width of your alcove. Mark a line in the centre of the cavity, on the ceiling.



- ③ For **flush installation** measure 1 1/4" (108mm) back from the front face of the adjacent cabinetry doors (refer to **C**).
- Face 1 should be 4 1/4" (108mm) back.
  - Face 2 should be lined up with the centre of the alcove.

For **proud installation**, the joiner bracket should sit **forward**. Measure 1 1/4" (108mm) - x back from the front face of the adjacent cabinetry doors (refer to **C**).

- Face 1 should be 1 1/4" (108mm) - x (x = distance the product sits proud).
- Face 2 should be lined up with the centre of the alcove.

Using #8 x 16 mesh washer screws (4), align and fix the joiner bracket to the centre of the alcove (refer to **D**). (Loosely fix the screws the centre of each slot to enable adjustment in the joiner bracket).

### WARNING!

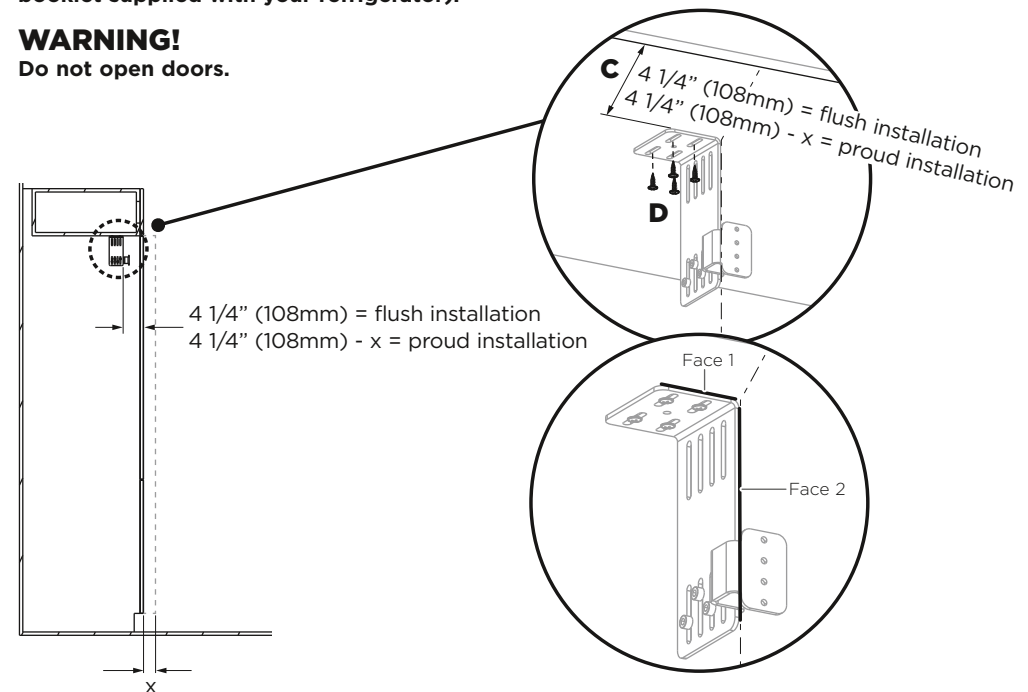
Ensure anti tip brackets are fitted at this stage (refer to separate 'Installation guide' booklet supplied with your refrigerator).

### IMPORTANT!

Door panels must be fitted to doors at this stage (refer to separate 'Installation guide' booklet supplied with your refrigerator).

### WARNING!

Do not open doors.



At this stage, connect to water and electrical supply as per the 'Installation guide' booklet supplied with your refrigerator.

### WARNING!

Failure to follow the instructions can lead to serious injury or death.

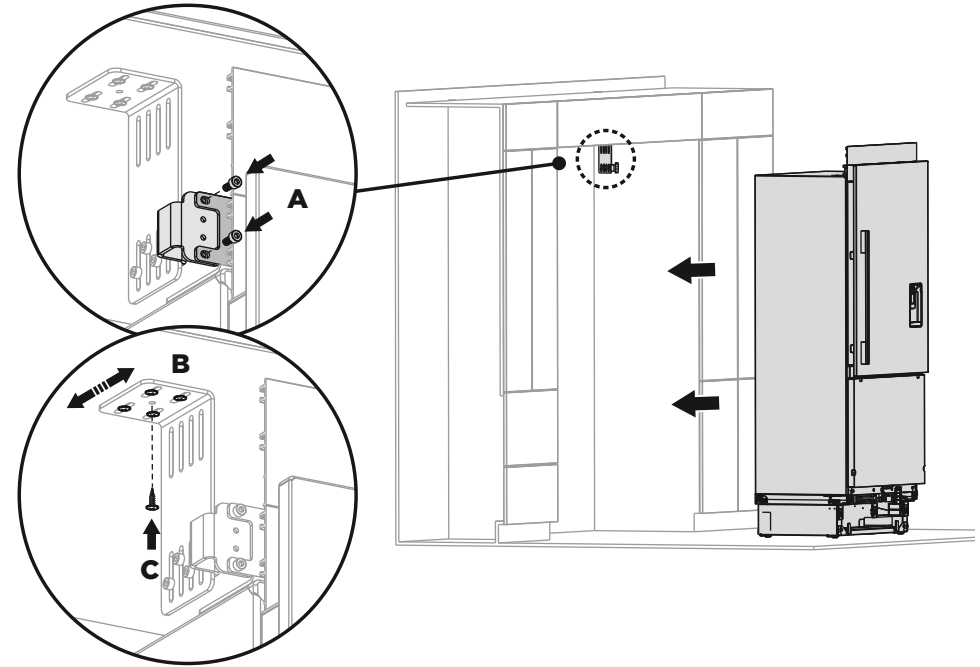
## 8 LOCATION OF PRODUCTS INTO ALCOVE – RIGHT PRODUCT

- 1 Roll the right hinge refrigerator into the right hand side of the alcove until the refrigerator makes contact with the joiner bracket.

### IMPORTANT!

**For flush installation: check for flushness of the refrigerator with the surrounding cabinetry (refer to separate 'Installation guide' booklet supplied with your refrigerator) on how to achieve flushness.**

- 2 Adjust the refrigerator height (refer to separate 'Installation guide' booklet supplied with your refrigerator).
- 3 Screw two M5 x 12 Socket head cap screws to connect the alcove bracket to the joiner bracket (refer to **A**).
- 4 If the refrigerator is not flush, further loosen the top screws of the alcove attachment bracket if required and move the bracket in a forward to back motion to suit (refer to **B**).
- 5 Recheck refrigerator flushness (refer to separate 'Installation guide' booklet supplied with your refrigerator). Once satisfied with flushness, tighten top screws fix an additional #8 x 16 mush washer screw (refer to **C**).



## 9 LOCATION OF PRODUCTS INTO ALCOVE – LEFT PRODUCT

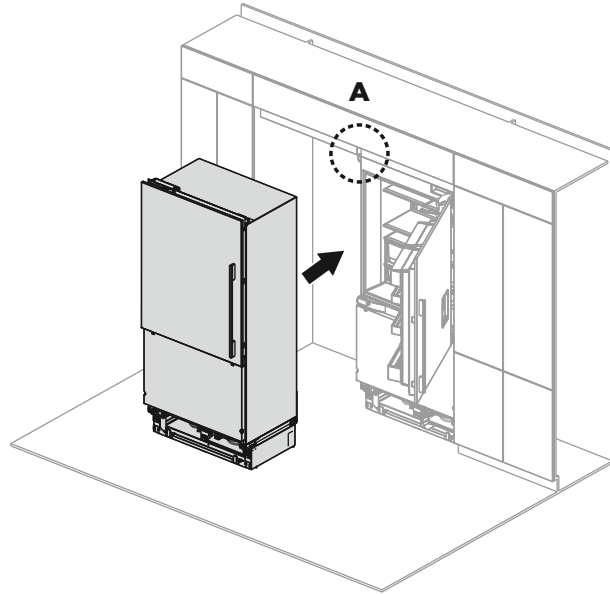
### IMPORTANT!

Open the door of the right hinge refrigerator.

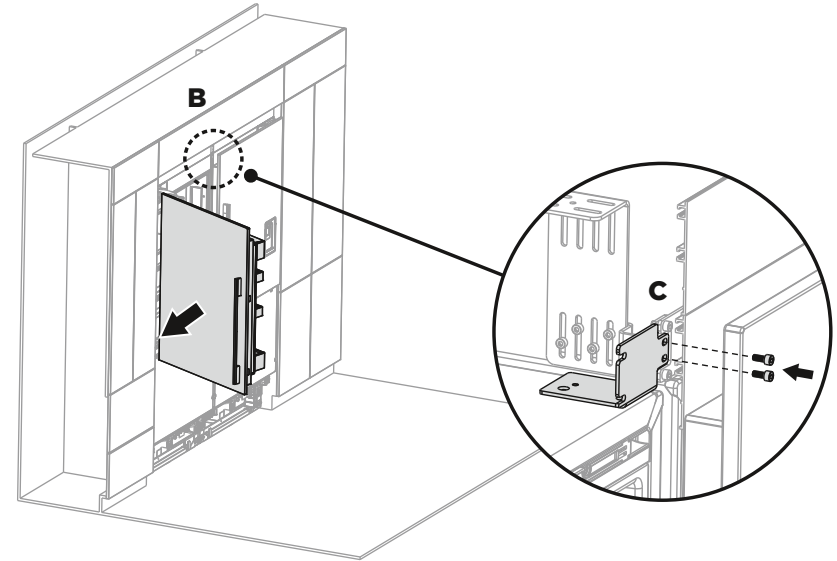
- ① Roll the left hinge refrigerator into the left hand side of the alcove until the refrigerator makes contact with the joiner bracket (refer to **A**).

### IMPORTANT!

For flush installation: check for flushness of the refrigerator with the adjacent refrigerator (refer to separate 'Installation guide' booklet supplied with your refrigerator on how to achieve flushness).



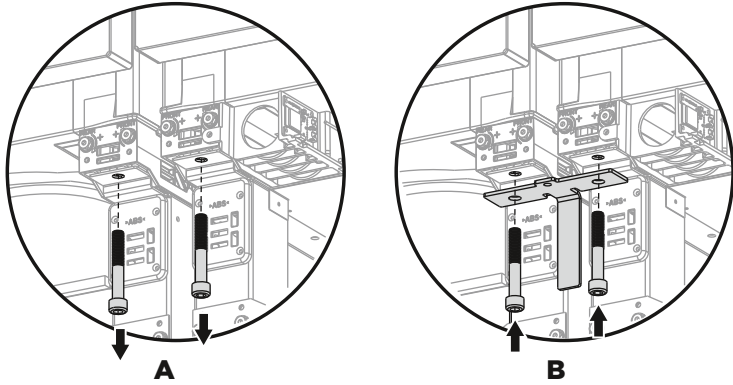
- ② Open the left hinge refrigerator door to access the brackets (refer to **B**).
- ③ Adjust the refrigerator height (as per the separate 'Installation guide' booklet supplied with your refrigerator), so holes in the top trim are in line with the holes in the joiner bracket (refer to **C**).
  - Note: for clarity of drawing, top trims are not shown.
- ④ Screw two M5 x 12 Socket head cap screws to fix left hand top trim to the joiner bracket (refer to **C**).



## 10 PREPARING FOR CENTRE TRIM

- 1 Remove the centre\* M10 x 65 Socket head cap screws from the base of the refrigerators (refer to **A**)
  - \*Remove the right screw from the left hinge refrigerator.
  - \*Remove the left screw from the right hinge refrigerator.

- 2 Attach the bottom joiner bracket using M10 x 65 Socket head cap screws (refer to **B**).



- 3 For 80" (2032mm) refrigerators, cut centre trim using the same method as instructed for side trims (refer to separate 'Installation guide' booklet supplied with your refrigerator).
- 4 Mark out three locations for the spring clips along the centre trim to match foam pad locations on cabinet.

- 5 Insert right hand spring clip into the centre trim channel (refer to **C**).

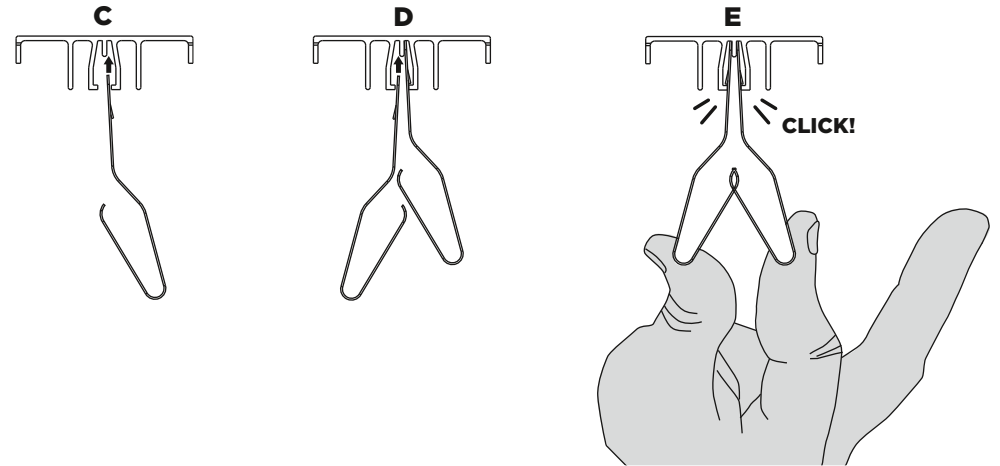
### IMPORTANT!

Ensure the bottom of the right hand spring clip is located on the right hand side of the channel.

- 6 Insert the left hand spring clip into the centre trim channel (refer to **D**).

- 7 Before pushing the left hand spring clip all the way into the trim, squeeze the two spring clips together and push home. You will hear the spring clips engage into the trim (refer to **E**).

Repeat for the remaining two locations on the centre trim.

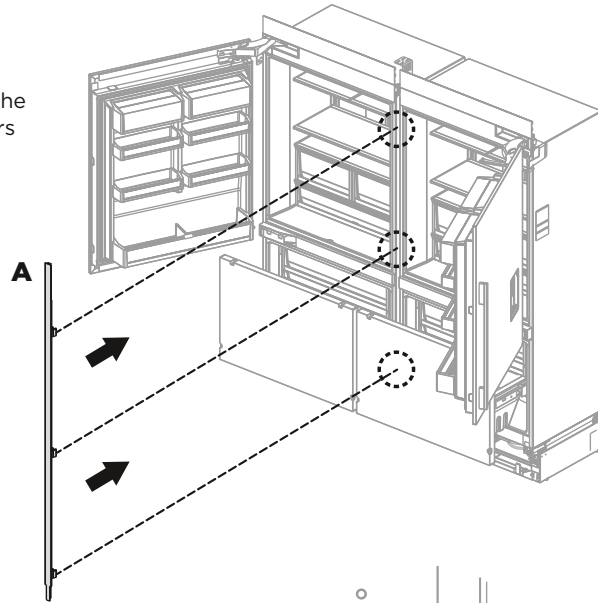


# 11 ATTACHING THE CENTRE TRIM AND TOE KICK

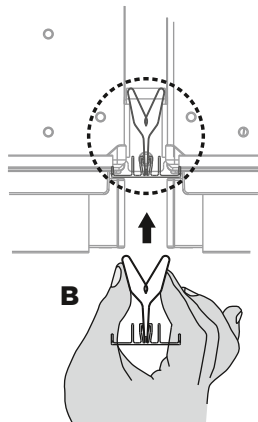
## IMPORTANT!

Open both refrigerator doors.

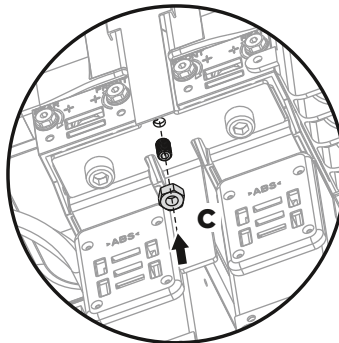
- 1 Bring the centre trim in front of the gap between the two refrigerators (refer to **A**).



- 2 Starting from the upper spring clips, squeeze the clips to slot between the two refrigerators (refer to **B**).
- 3 Repeat on the middle and then the lower clips.
- 4 Using the palm of your hand, push trim all the way down the length of the refrigerator.

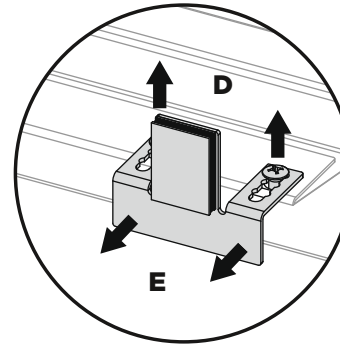


- 5 Screw the M8 set screw into the threaded hole of the bottom joiner bracket to support the middle trim. This maintains the height position of the trim. Once you are satisfied with the location of the middle trim, use the M8 nut to lock the set screw into location (refer to **C**).

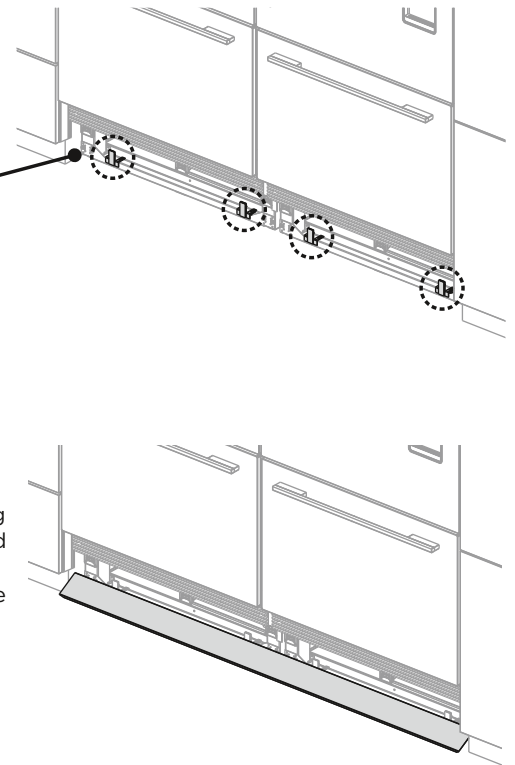


- 6 **Installing toe kick**  
Unscrew the toe kick bracket screws mid-way, and bring forward (refer to **D** and **E**).

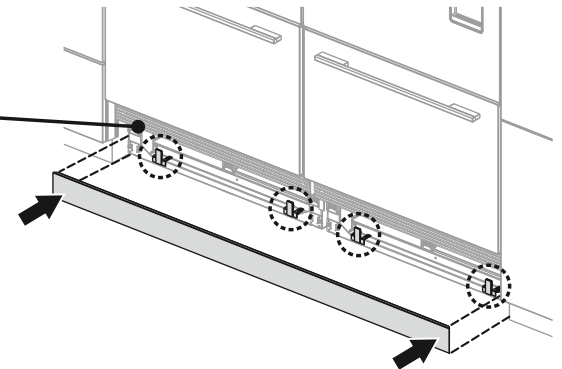
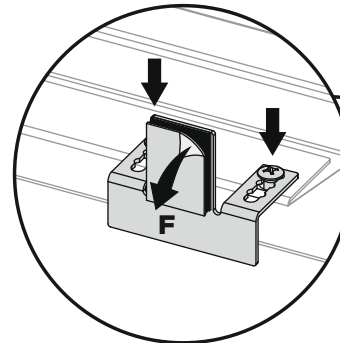
Repeat this process for both refrigerators.



- 7 Place toe kick over the brackets and position the outer brackets until flush with surrounding cabinetry. Use the folded edge of the supplied toe kick or another suitable straight edge to align the inner brackets. Once aligned, remove the toe kick.



- 8 Tighten the toe kick bracket screws to lock brackets into position and remove the backing from the Velcro strip (refer to **F**). Attach the toe kick to the adhesive surfaces.







**FISHERPAYKEL.COM**  
**DCSAPPLIANCES.COM**

© Fisher & Paykel Appliances 2017. All rights reserved.  
The product specifications in this booklet apply to the specific products and models described at the date of issue. Under our policy of continuous product improvement, these specifications may change at any time. You should therefore check with your Dealer to ensure this booklet correctly describes the product currently available.

**NZ AU GB IE HK SG IN US CA**

**845689 B 07.17**