



REF30BMBIXLT
REF30BMBIXRT
REF30BMBIPLT
REF30BMBIPRT
REF36BMBIXLT
REF36BMBIXRT
REF36BMBIPLT
REF36BMBIPRT

Refrigerator Installation Guide
Réfrigérateur Guide d'installation
Frigorífico Guía de instalación

EN

FR

ES

IMPORTANT

When not otherwise pecified:

- Dimension parentheses are in inches: mm (in)
- Weights in parentheses are in pounds: kg (lb)
- Temperatures in parentheses are in Fahrenheit degrees: °C (°F)

1 IMPORTANT INSTRUCTIONS	4
1.1 Important safety instructions.....	4
1.2 Children safety.....	4
2 TECHNICAL REQUIREMENTS	5
2.1 Appliance features and installation requirements.....	5
2.2 Installation niche features: Integrated Series.....	6
2.3 Installation niche requirements: Stainless Integrated Series.....	7
3 PREPARING TO INSTALL	8
3.1 Transport to installation site and unpacking.....	8
3.2 Electrical and Water connection.....	8
3.3 Levelling.....	9
4 PANELS MOUNTING	10
4.1 Door and Bottom-Drawer overlay panels layout.....	10
4.2 Overlay panels mounting brackets layout	11
4.3 Panels dimensions.....	11
4.4 Mounting panels to the door and the drawer of Integrated units.....	13
5 INSTALLATION	15
5.1 Built-in installation of single appliance.....	15
5.2 Built-in installation of two or more appliances.....	16
6 COMPLETING THE INSTALLATION	18
6.1 Anti-tipping safety assembly.....	18
6.2 Ventilation.....	19
6.3 Post installation control	20
6.4 Start up.....	20

1. IMPORTANT INSTRUCTIONS

1.1 Important safety instructions

Symbols used in the Guide:



Note

Tips for the correct use of the appliance



Important

Directions to avoid appliance damage



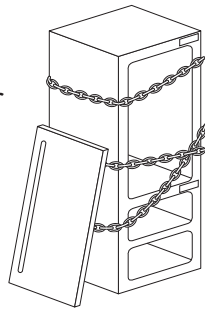
Attention

Directions to prevent

1.2 Children safety

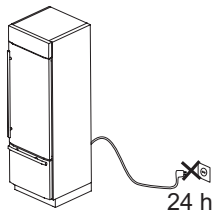
DANGER: Risk of child entrapment. Before you throw away your old refrigerator or freezer:

- Take off the doors
- Leave the shelves in place so that children may not easily climb inside.



Attention!

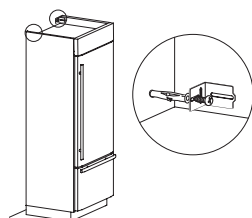
This appliance must be transported in an upright position. If this was not the case you should leave it upright for 24 hours prior to switch it on.



Take maximum care during handling to avoid harm to persons and property.



Secure the top of the appliance to the wall with the two brackets provided with the appliance.



Description	Integrated
Appliance	✓
Fasteners, brackets, screws, wrench for mounting outer panels	✓
Alluminium trims to fill gap between appliance and cabinets	✓
Owner's Kit (inside the appliance)	✓

Description	Maker - Models with Ice Maker
Water fill hose (only models with Ice Maker)	✓
Water filter (only models with Ice Maker)	✓
Leveling feet	✓
Anti-tipping brackets, fixing plugs and screws	✓
Appliance cleaning kit	✓
User Manual, Installation Guide, Guarantee Certificate	✓

Read the User Manual and the Guide attentively and keep it in a safe place.

2. TECHNICAL REQUIREMENTS

EN

2.1 Appliance features and installation requirements

Appliance dimensions Integrated	w: 29 15/16" (761 mm) / h: 83 1/2" (2120 mm) / d: 24" (610 mm) w: 35 15/16" (913 mm) / h: 83 1/2" (2120 mm) / d: 24" (610 mm)
Appliance dimensions Stainless Integrated	w: 29 15/16" (761 mm) / h: 83 1/2" (2120 mm) / d: 24 3/16" (615 mm) w: 35 15/16" (913 mm) / h: 83 1/2" (2120 mm) / d: 24 3/16" (615 mm)
Appliance dimensions with packaging	75 Series w: 31 1/2" (800 mm) / h: 89" (2260 mm) / d: 31 1/2" (800 mm) 90 Series w: 37 3/8" (950 mm) / h: 89" (2260 mm) / d: 31 1/2" (800 mm)
Weight with packaging	75 Series up to 606 lb (275 kg) 90 Series up to 650 lb (295 kg)
Voltage	115V, 60Hz
Power supply cable	3A
Potable water supply pressure	From 8 PSI to 75 PSI
Water connection	1/4" attachment
Provided installation accessories	<ul style="list-style-type: none">■ Customized panels mounting Kit■ Anti-tipping Kit■ Lateral connecting kit■ 1/8" (4 mm) allen wrench
Additional equipment necessary	<ul style="list-style-type: none">■ Phillips head screwdriver■ wood and percussion drill■ 1/8" (2.5 mm) bit for wood■ 3/8" (8 mm) bit for walls■ 3/4" (17 mm) wrench
Adjusting height of the rear rollers	1/2" (13 mm) socket



Note

Not all models come with an automatic ice maker. Verify if your model is equipped with an ice maker to determine if you require water supply.

2. TECHNICAL REQUIREMENTS

2.2 Installation niche features: Integrated Series

A - area to be left clear for the anti-tipping brackets

Niche Height

83 7/8" (2130 mm)

Niche Width

36" (914 mm)

30" (762 mm)

Door Swing Clearance

58 7/16" (1484 mm)

52 1/2" (1333 mm)

Door Opening Angle

105°

Width

35 15/16" (913 mm)

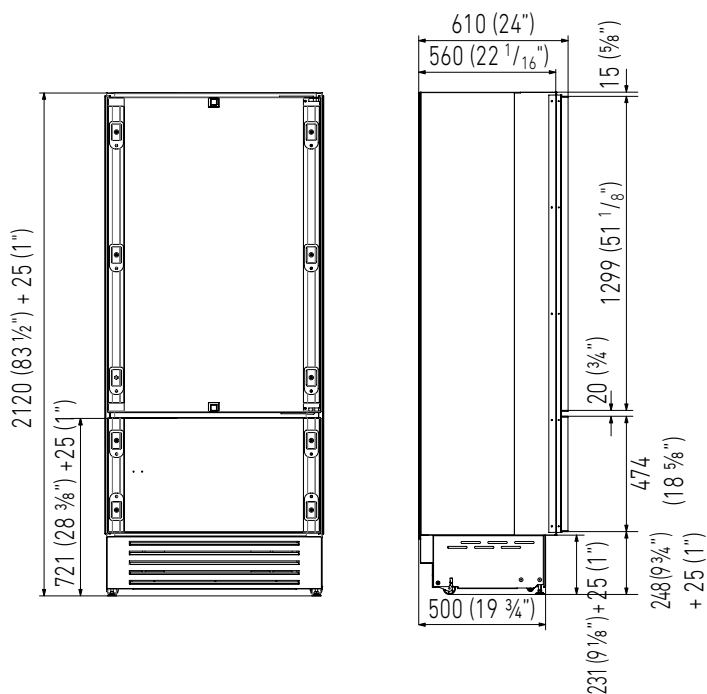
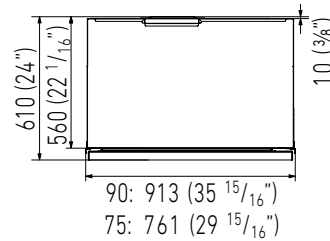
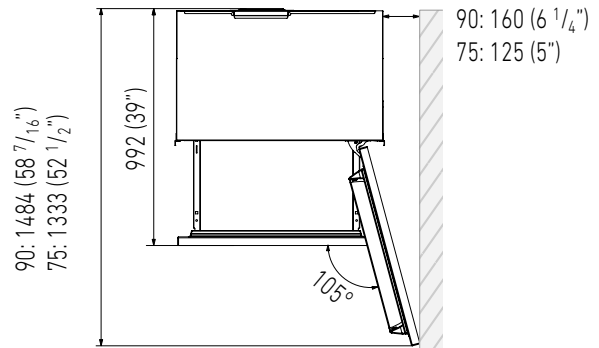
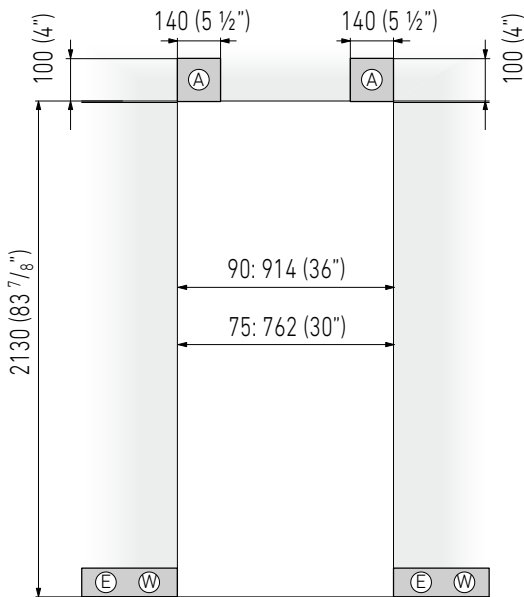
29 15/16" (761 mm)

Height

83 1/2" (2120 mm) + 1" (25 mm)

Depth with door (without panel)

24" (610 mm)



2.3 Installation niche requirements: Stainless Integrated Series

A - area to be left clear for the anti-tipping brackets

Niche Height
83 7/8" (2130 mm)

Niche Width
36" (914 mm)
30" (762 mm)

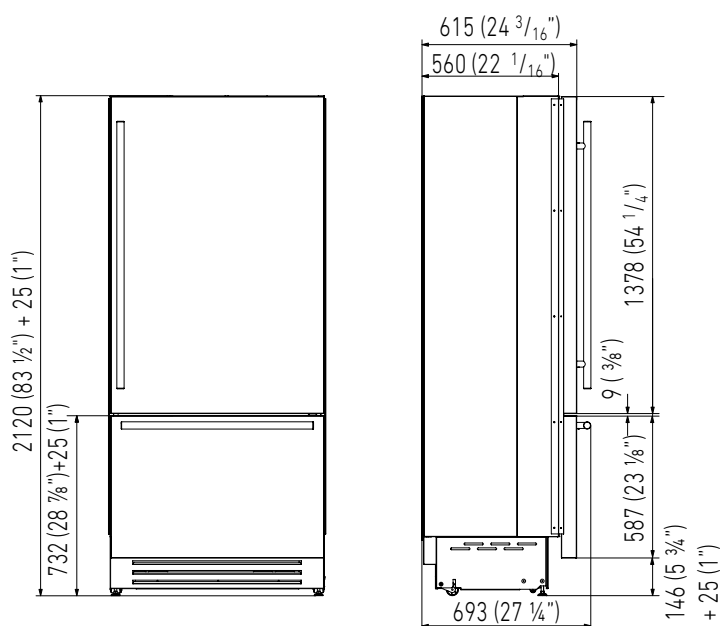
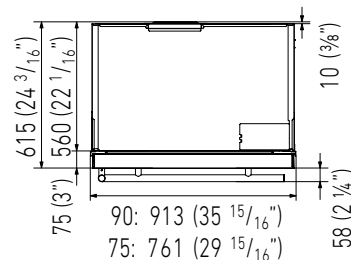
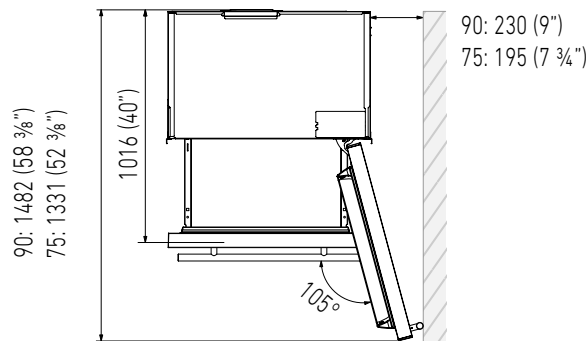
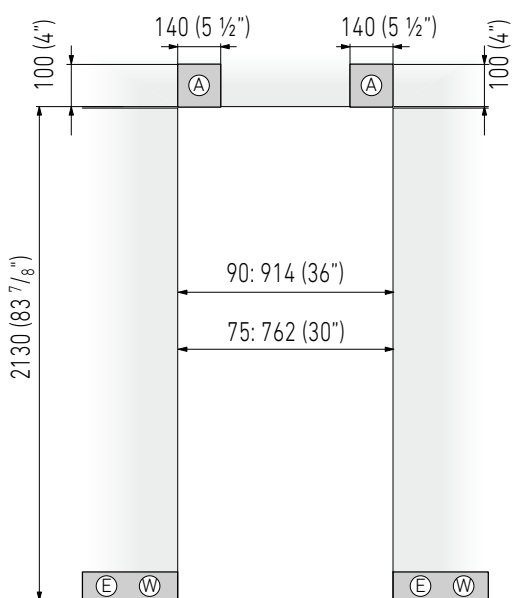
Door Swing Clearance
58 3/8" (1482 mm)
52 3/8" (1331 mm)

Door Opening Angle
105°

Width
35 15/16" (913 mm)
29 15/16" (761 mm)

Height
83 1/2" (2120 mm) + 1" (25 mm)

Depth with door (with panel)
24 3/16" (615 mm)



3. PREPARING THE INSTALLATION

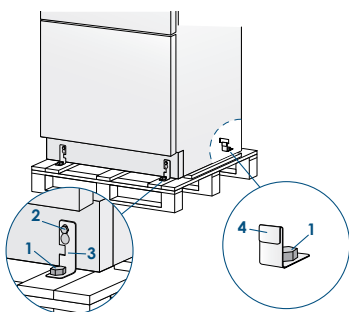
3.1 Transport to installation site and unpacking



The appliance is very heavy. Take maximum care during handling to avoid injury.



The appliance should always be transported in an erect position. Avoid at all costs leaning it on its front side.



Since this is a large and heavy appliance, before transporting the appliance, check the access to the location where it will be installed (door size, manoeuvring space in stairwells, etc.).

The appliance is attached to the base of the packaging (pallet) through four bolts which can be removed using a 3/4" (19 mm) wrench.

It is recommended to use a manual transporting device to move the appliance to the installation site, and only at this point to remove the base of the packaging. The appliance should always be transported in an erect position. If this is not possible, transport the appliance laying on its rear side.

Once at the installation site, the appliance, which is equipped with four wheels, can be taken off the pallet and positioned in the installation area.

Operate as follows:

- > Take off the four bolts [1] securing the appliance to the pallet by means of a 3/4" (19 mm) wrench or socket.
- > Remove the fixing brackets [3] and [4].
- > To remove the front fixing bracket [3], unscrew for one or two turns the rear wheel adjusting bolt [2] by means of a 1/2" (13 mm) socket, do not overtighten the nut as it could damage the leveling feet adjusting system.
- > From the back of the unit and by means of a suitable, high duty hand trolley, take off the appliance and place it on the floor. Be mindful of any debris on the floor which could get caught under the rollers and potentially damage the flooring when moving the appliance. Be very careful to avoid any damage to floors. Delicate floors should be protected with plywood, hard cardboard or similar material panels.

3.2 Electrical and water connection




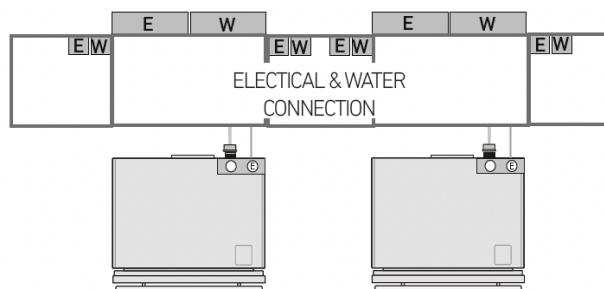
The Built-in filter cannot make it safe to drink any water which is not suitable for human consumption.



The appliance should be connected only to a drinkable water supply system.



Do not use extension cords or adapters. Once the appliance is fully installed, connected to the water supply (if applicable) and operational, in the event that the water supply must be turned off, (touch the button  on control panel to switch it off) before the main water is shut off to prevent the appliance from entering a 'NO WATER IN' alarm state.



The appliances are delivered from the factory for operation at 115V, 60Hz.

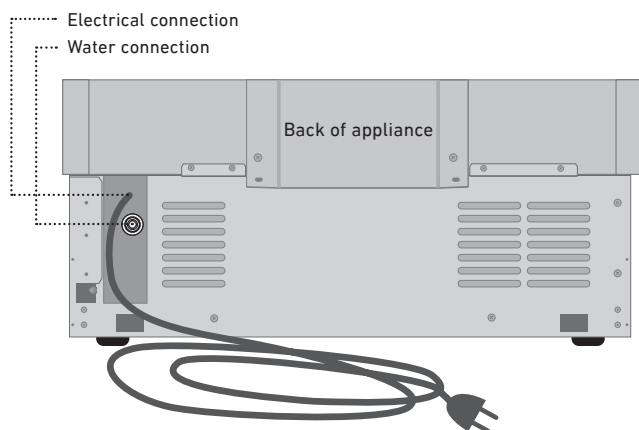
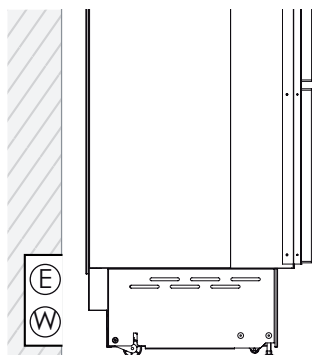
Do not connect the refrigerator to any GFCI receptacle. They are provided with a suitable supply cable and plug to be connected to an appropriate 15A socket provided with an effective grounding. A circuit breaker should also be installed and should be easily accessible so that it can be easily switched off before performing any installation or maintenance. To connect to the water supply system (for appliances equipped with ice makers) a 1/4" waterline with accessible shut-off valve must be supplied.

The appliance is provided with a water adapter elbow which is suitable for high water pressure and complies the Food Regulations. The water filter cartridge, which is provided with the appliance, should be installed according to the accompanying instructions. Use only the new adapter which is supplied with the appliance. The solenoid connection on the appliance is 1/4" diameter but is metric threaded. A standard garden hose threaded connector such as a braided stainless hose found at typical hardware stores will strip or damage the solenoid threads. Use only the supplied 1/4" quick connect elbow adapter for connecting a 1/4" copper or polyethylene source water line to the appliance.

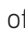
Electrical cord length: 98 3/8" (2500 mm)
Water connection line length: 98 3/8" (2500 mm)

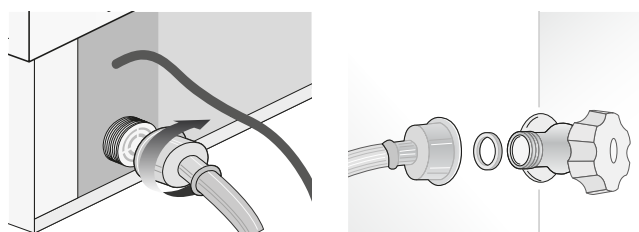
Do not use extension cords and/or multiple adapters for the power supply connection.

**ELECTRICAL AND WATER SUPPLY BEHIND THE UNIT
INTEGRATED SERIES**



Operate as follows:

- > Unwind the electric cable and connect it directly to the wall socket.
- > Make sure the appliance is in the Stand-by condition and that all lights are off; should it be not so press the Unit button  to switch it off.
- > Push the 1/4" source waterline fully into the elbow connector then thread the elbow adapter to the solenoid at the back of the appliance. Firmly tighten with fingers - a tool / wrench should not be needed to make a proper seal. Turn on the water and ensure all connections are not leaking prior to pushing the unit into the niche.

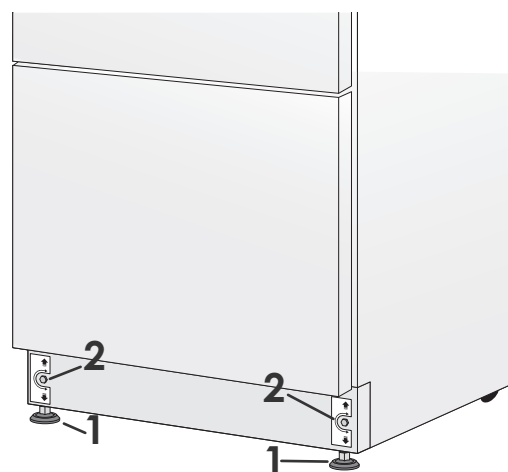


3.3 Levelling

Adjust the appliance level by means of the front levelling feet and the rear adjustable wheels.

Operate as follows:

- > The grille should ship taped to the back of the appliance. If by chance it is already in place, remove the grille (it is kept in position by magnets), adjust the height of the levelling feet **[1]** by means of a 3/4" (17 mm) wrench.
- > Then adjust the height of the rear wheels by turning the front adjusting bolts **[2]** clockwise or counter-clockwise as it may be required. (Do not use power drivers with high torque settings for this step as it could damage the levelling mechanism)
- > Mount the lower ventilation grille only after the unit is finally levelled in the niche.



4. PANELS MOUNTING

4.1 Door and Bottom-Drawer overlay panels layout

The dimensions of the panels are indicated in the table and drawings on pages 13.

Nevertheless, according to the requirements for aligning with other kitchen structures, the door panel can be higher than the upper edge of the refrigerator door, and the drawer panel can be lower than the edge of the drawer.

The panels must be mounted using special braces which attach to adjustable devices provided on the door and drawer and with brackets that anchor and adjust the panel's vertical direction.

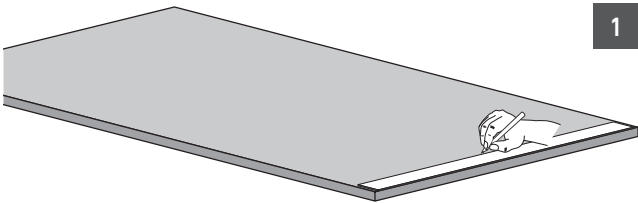
Braces, brackets and fixing screws are provided with the appliance and must be applied to the panel as indicated.

Operate as follows:

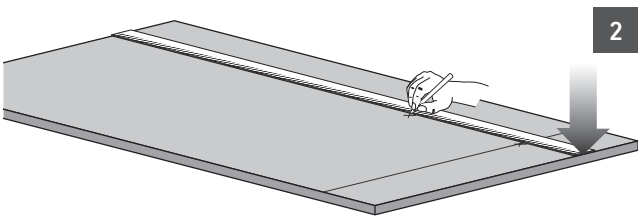
To prepare the panels to be mounted on the appliance, follow these steps, working on the back of the panel.

Door panel

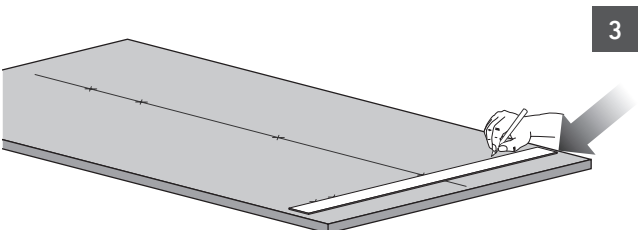
> Draw a reference center line, dividing the panel width in half [1].



> Starting from the bottom edge of the panel, mark the positioning of the brackets [2].

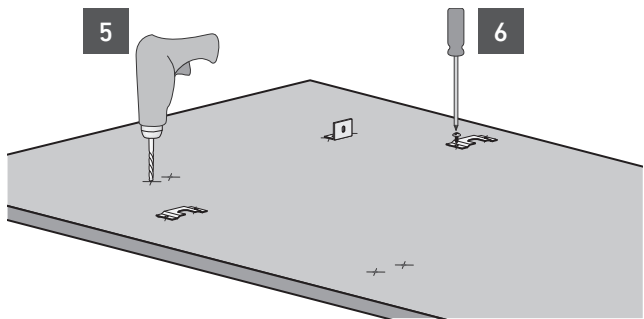
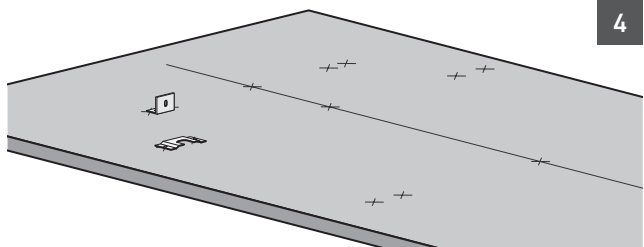


> Following the corresponding table, mark the outside and then the inside hole [3].



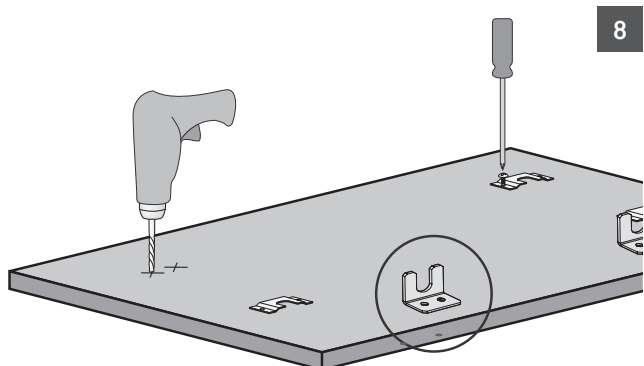
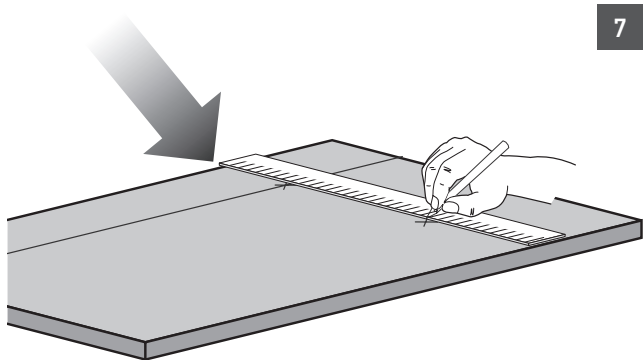
> Position the brackets on each set of marks to make sure they are aligned [4], you may wish to drill pilot holes (pay close attention to the panel's thickness) [5]

> Screw the brackets in place [6].

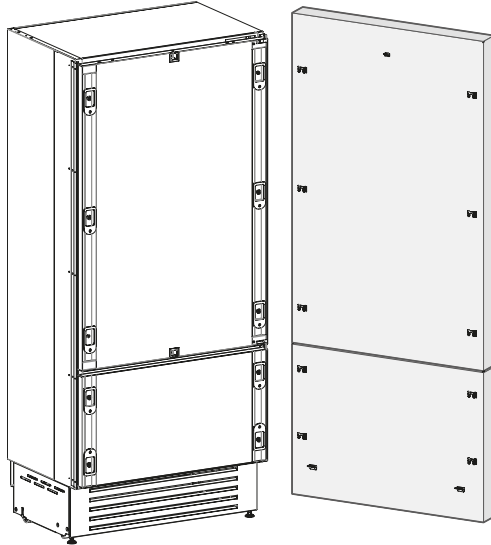


Drawer panel

> When preparing the Drawer Panel, follow the same instructions as per the door panel, but make sure measurements are taken starting from the top edge [7]. The support bracket faces the opposite way [8] (note imgs 4 and 8).



4.2 Overlay panels mounting brackets layout

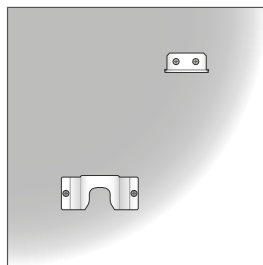


	90 SERIES	75 SERIES
A	35 3/4" (908)	29 3/4" (756)
B	16 1/2" (418)	13 1/2" (343)
C	14" (354.5)	11" (279.5)

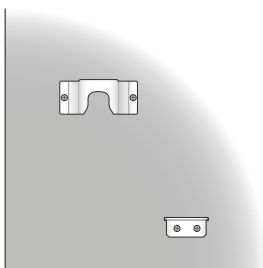


Note

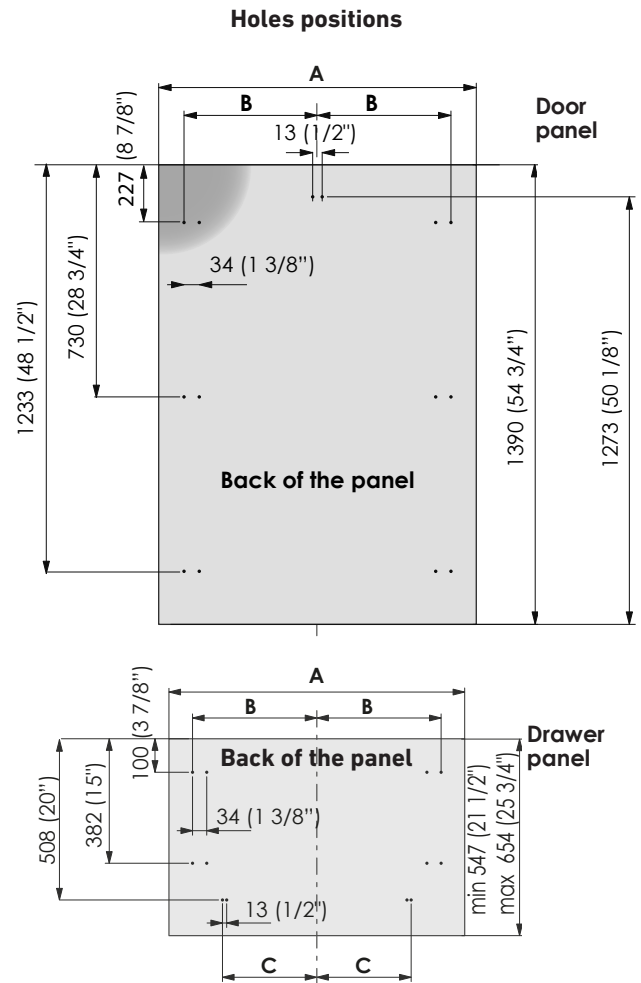
All lateral bracket placement measurements go from the center line to the outside bracket hole.



Vertical adjustment bracket for upper door. Note orientation.



Vertical adjustment bracket for lower drawer. Note orientation.



4.3 Panels dimensions

Panels can have thickness ranging between 3/4" (18 mm) and 1 1/8" (28 mm).

Door panels can have a maximum weight 51 lbs (23 kg) and drawer panels may be a maximum weight of 25 lbs (11kg). Exceeding these weights could void your warranty for any service issues which can be attributed to overweight panels. The hinging mechanism on appliances is considered to be `Zero-clearance`. The door and drawer widths specified below assume the minimum niche width is being used and a 3.2 mm (1/8") reveal is desired around the panels. Adjust your panel dimensions accordingly to your own design criteria considering your niche width and your reveal.

SERIES	DOOR/DRAWER WIDTH	NICHE WIDTH
90	35 3/4" (908)	36" (914)
75	29 3/4" (756)	30" (762)

4. PANELS MOUNTING

4.3 Panels dimensions

Example:

83 7/8" niche height
 36" niche width
 4" toe kick height
 1/8" gap desired all around

Door panel:

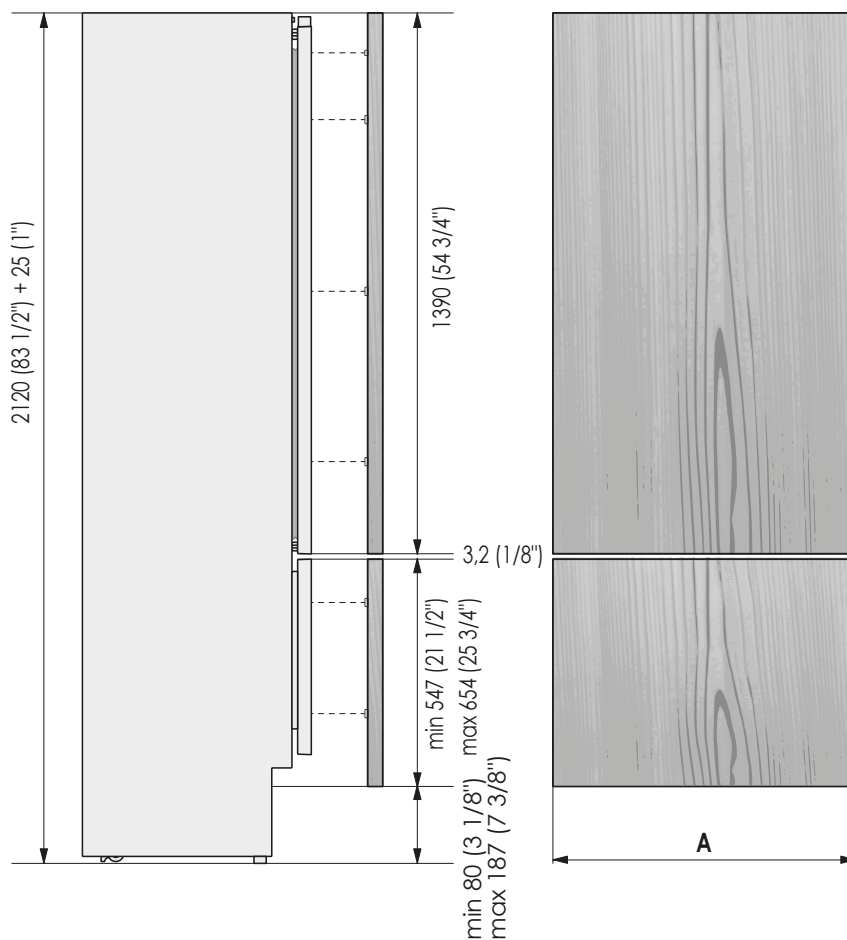
Width: 35 3/4"
 Height: 54 3/4"

Drawer panel:

Width: 35 3/4"
 Height: 83 7/8" - 1/8" - 54 3/4" - 1/8" - 4" = 24 7/8"

With a 6" toe kick, the bottom drawer panel height would become 22 7/8".

The formula above allows to obtain the freezer drawer panel flush with the toe kick. It is possible to extend the freezer drawer panel by 13/16" to cover the toe kick more.



4.4 Mounting panels to the door and the drawer of Integrated units

Install 1 hanger bolt about 3 threads deep and 1 depth set screw flush to foam gasket in each mounting cavity. Once all brackets and small brackets have been applied to the panels, you can begin installing the bottom drawer.

Operate as follows:

- > Partially install the adjustment bolt with washer into the two holes in the bottom of the drawer [1].
 - > Ensure the L-brackets align with the adjustment bolts on the bottom, place panel against the drawer face with the hanger brackets above the hanger bolts and allow the panel to drop down. Ensure all the hanger brackets engage the hanger bolts [2].
 - > It is now possible to align panels to adjacent cabinets in height using the lower alignment brackets, [3] tightening or untightening the bolts into position as needed. With the hanger bolts slightly tightened, move the panel sideways to align it to the other panels on the unit or other adjacent structures.
- Tapping the panel with a rubber mallet is a good way to make small adjustments to the X-alignment of the panel.
- > Depth alignment: working from the inside of the drawer, after lifting up the magnetic seal, adjust the panel position so it is closer to or further away from the door using the holes [4] and then secure the panel using the holes [5].

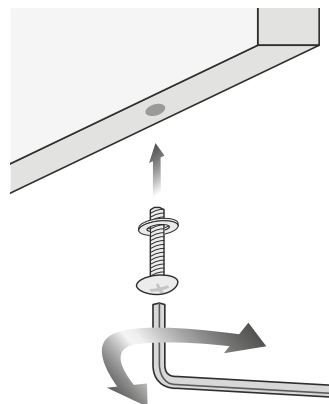
Turning in the direction of the thick arrow pulls the panel closer to the door/drawer face, turning in the direction of the thin arrow pushes the panel away from the face of the door/drawer.



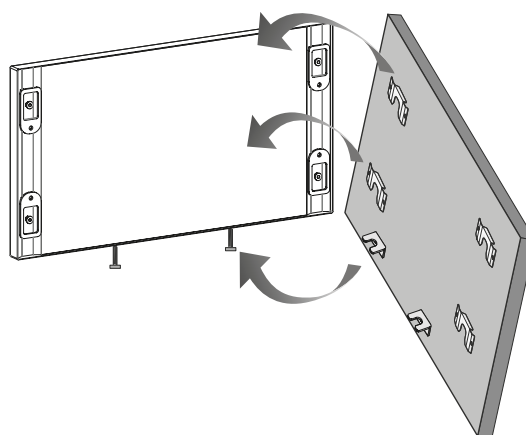
Once the front panel has been adjusted, check that the gasket has been repositioned correctly to assure the door/drawer are closing correctly and avoid operational errors of the unit.

4.4 Mounting panels to the door and the drawer of Integrated units

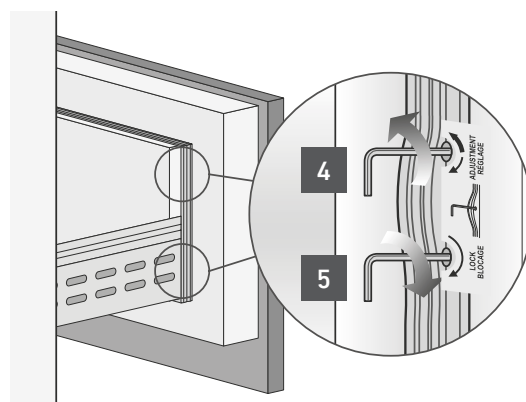
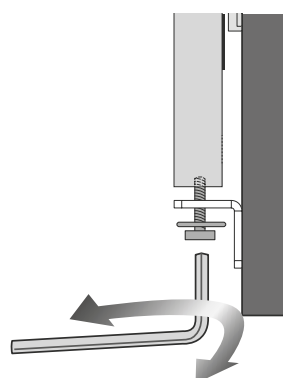
1



2



3



4. PANELS MOUNTING

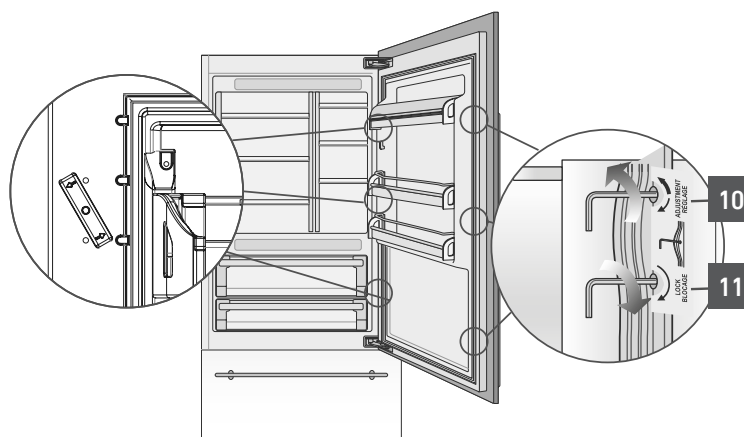
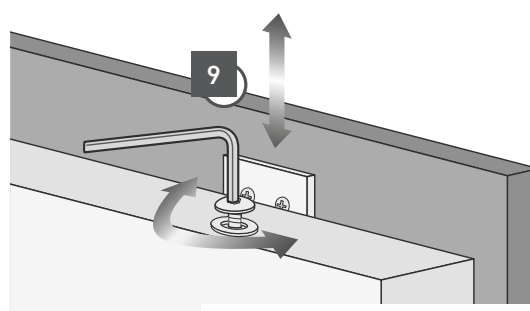
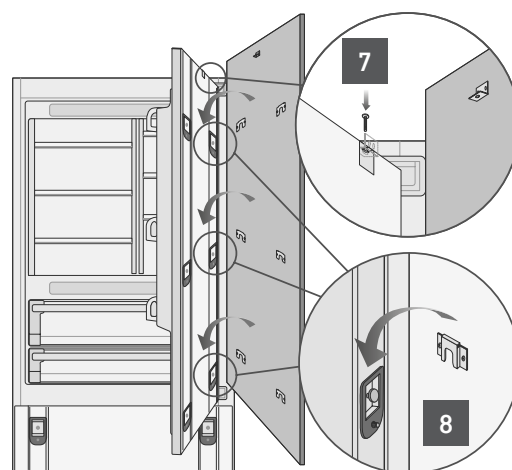
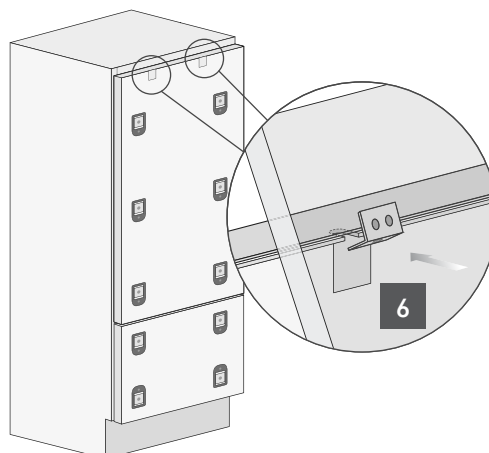
4.4 Mounting panels to the door and the drawer of Integrated units

Operate as follows:

- > Ensure the top adjustment L-brackets are aligned and inserted into the cavities at the top of the door [6].
- > At this point, alignment between the panel and adjacent cabinets can be adjusted using the alignment brackets and small brackets [7] and [8].
- > Vertical alignment: tighten or loosen the screw in the brackets to raise or lower the panel [9].
- > Depth alignment: working from the inside of the door, after lifting up the magnetic seal, adjust the panel position so it is closer to or further away from the door using the holes [10] and then fix the panel in position using the holes [11].



Once the front panel has been adjusted, check that the gasket has been repositioned correctly to assure the door/drawer are closing correctly and avoid operational errors of the unit.



5.1 Built-in installation of single appliance

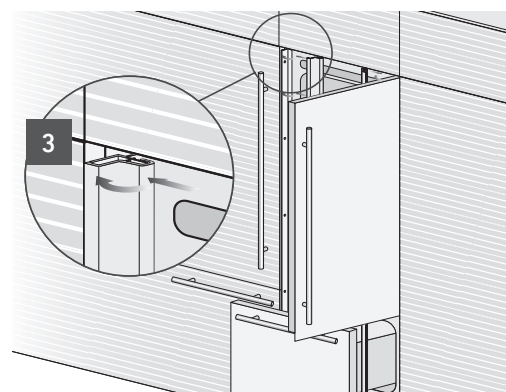
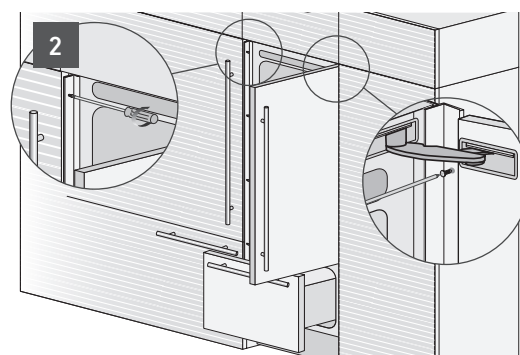
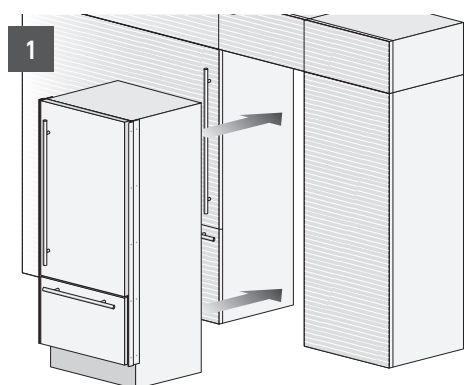
!!! Once the front panel has been adjusted, check that the gasket has been repositioned correctly to assure the door/drawer are closing correctly and avoid operational errors of the unit.

For a built-in installation, to close gaps between the appliance and the adjacent cabinets, special side profiles (installed) and trim covers (taped to back of appliance) are provided. Side profiles are used for fixing the appliance to the niche cabinet and can be shimmed from the side of the appliance in order to match the niche width. (Remove screws holding trim to side of appliance and place washers between profile and appliance and replace screws for example).

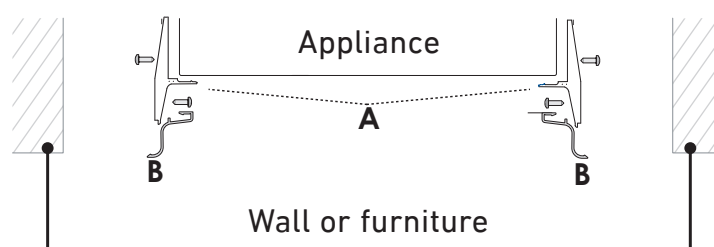
Operate as follows:

- > Push the appliance into the installation niche [1].
 - > If the unit is to be installed inside a niche or within an enclosed structure, it is not necessary to design a ventilation shaft at the back of the niche as European models come with a top ventilation cap which accommodates sufficient ventilation even though it is behind the overlay panel.
- Ensure panels are mounted (BI Series) prior to pushing the appliance all the way into the niche as the panel mounting procedure requires additional height clearance than the niche provides. If for some reason the top ventilation cap has been removed - a minimum 5mm gap must be provided at the top / back of the cabinetry to allow warm air to escape.

- > Check the levelling of the appliance, adjusting its feet and wheels to correct it.
 - > Using the screws provided, secure the appliance to the adjacent cabinets through the holes on the profile side trims [2].
- To make this operation easier keep the door and the drawer open. It may be necessary to hold the door at an approximate 70 degree angle to get the easiest access on the hinge side profile with a screwdriver.
- > Install the profile trim covers: mate with the face of the appliance and the top of the niche then slide laterally over the profile trims. It will be necessary to press firmly or use a block and mallet to completely lock the trims into place until a 'click' is heard. Take care not to damage the trims. Ensure that the full installation is satisfactory prior to installing the profile trim covers as it is very difficult to remove them without damaging them after installation [3].



SIDE PROFILES MOUNTING



- A** plastic connecting brackets
- B** Profile trim cover

5. INSTALLATION

5.2 Built-in installation of two or more appliances

> Required accessory to be ordered separately: central connection kit



Special side profiles and plastic covering frames are provided for closing gaps between the appliance and the adjacent cabinets.

Operate as follows:

> Position the appliances in front of the installation area, leaving enough space to operate at their back [1].
IMPORTANT: the appliances must be level with one another.

1 – Attach both units to each other at the front using the 5 white plastic brackets to hold the units together.

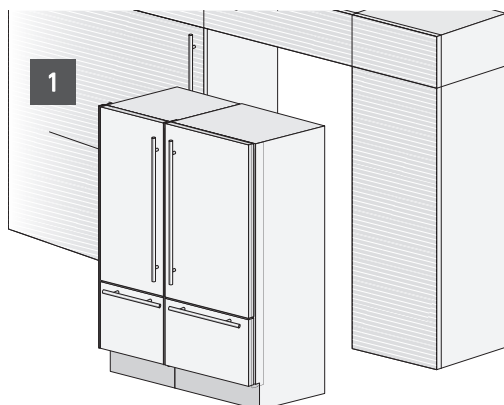
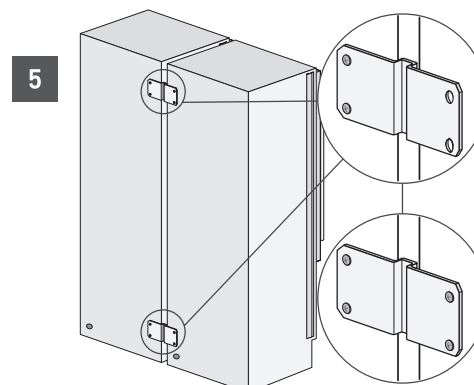
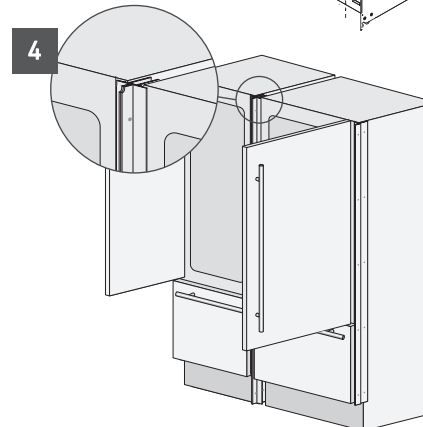
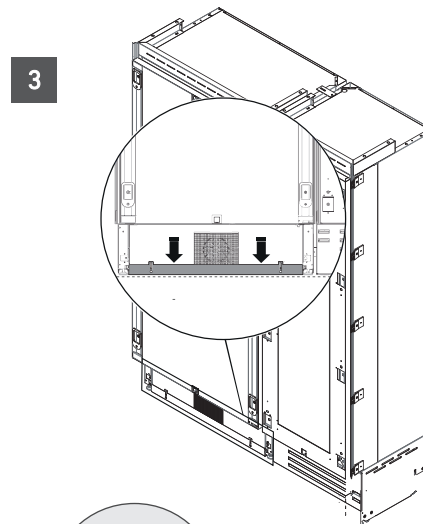
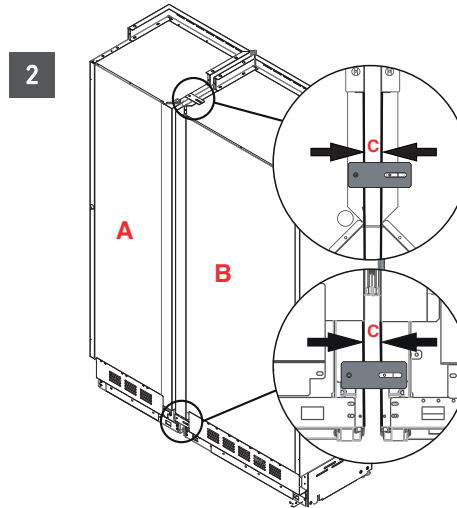
2 – Adjust the units in the back, so that the side panels are perfectly parallel to each other. There are visual cues that will aid with alignment.

3 – The gap (C) between the units must be the same at the back and top. Measure the gap on all edges and adjust if not equal [2].

4 – Once the gap is consistent on all edges, secure the brackets. If the gap between the units is not even, doors will not align properly.

Gap measurements vary according to the types of units installed. Please refer to the table below for correct gap measurements.

Distance between units (A+B)					
C	A				
	18"	24"	30"	36"	
B	18"	7/8" (22 mm)	15/16" (23,5 mm)	1" (24,5 mm)	1" (25,5 mm)
	24"	15/16" (23,5 mm)	1" (25 mm)	1" (26 mm)	1 1/16" (27 mm)
	30"	1" (24,5 mm)	1" (26 mm)	1 1/16" (27 mm)	1 1/8" (28 mm)
	36"	1" (25,5 mm)	1 1/16" (27 mm)	1 1/8" (28 mm)	1 1/8" (29 mm)



Once the appliances have been adjusted and properly levelled, loosen the two screws holding the sealing plate in position.

Lower the plate until flush with the floor, and retighten the screws. This will ensure optimized airflow through the condenser necessary for proper operation [3].

> Next join them at the front attaching the plastic connecting brackets with the supplied screws [4]. Attach the bracket on top of the units (if applicable) as per figure [5].

> Finish off by mounting the central profile cover onto the central profiles, by pushing it until a click is heard [6].

> Once completed, push the units into their final position [7].

Always mount front panels on door before pushing the unit into its final position inside the cutout or structure.

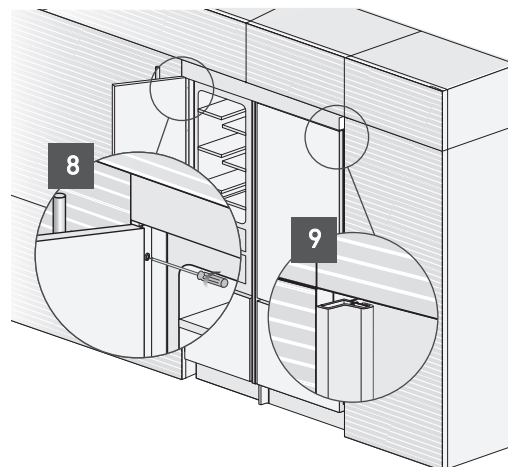
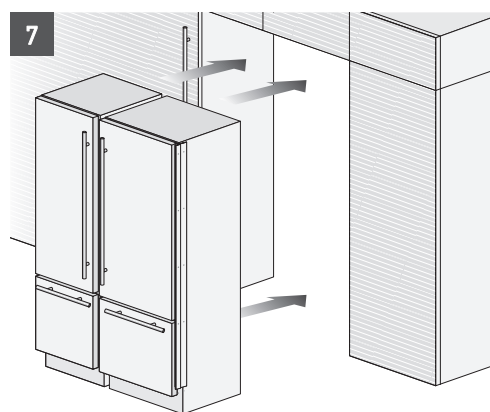
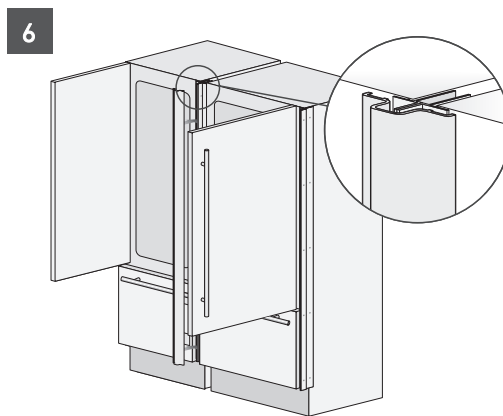
> Check the levelling of the appliance, adjusting its feet and wheels to correct it.

> Secure the appliance to the adjacent cabinets by fixing to these the side profiles trims factory-installed on the appliance [8]. To make this operation easier keep the door open.

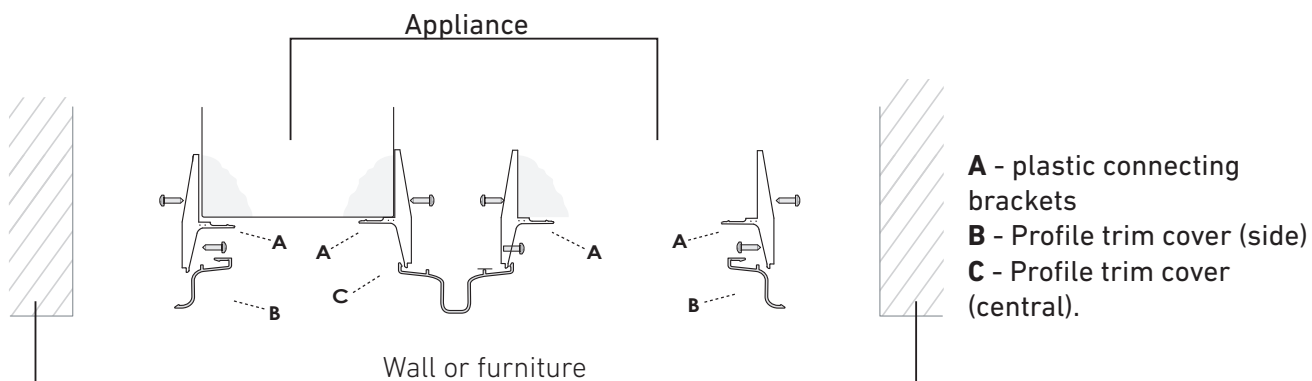
> Mount the covering frames onto the profiles, first insert them laterally and then push firmly until a "click" is heard [9].



Take care as appliances will be front-heavy and may tip before they are secured to the adjacent furniture.



Side and central profiles mounting:



6. COMPLETING THE INSTALLATION

6.1 Anti-tipping safety assembly



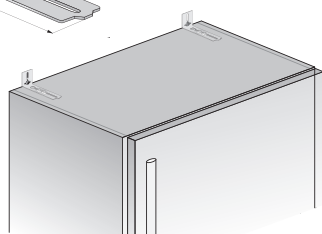
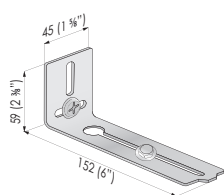
If the appliance(s) is not connected through the side profile trims to secured cabinetry you must install the anti-tip brackets to ensure the product does not fall forward during use and cause damage or injury. Failing to secure the appliance(s) securely will void any warranty claim attributable to a tipping situation.

Operate as follows:

> The brackets should be applied as illustrated using the provided screws. If using the anti-tip brackets, lag into wood framing or concrete - drywall will not hold the weight of appliance.

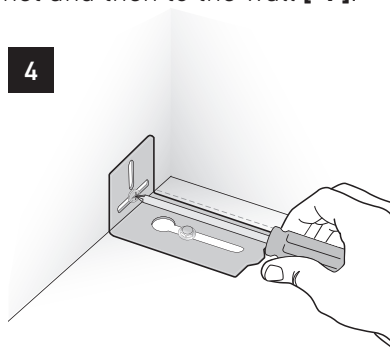
Place a bracket on the top of the appliance in correspondence to the fixing holes and against the wall [1].

1



> Reposition the bracket and fix it first to the cabinet and then to the wall [4].

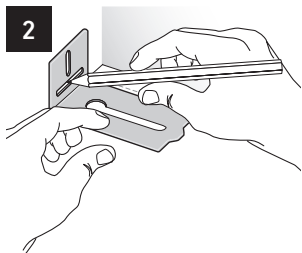
4



In order to use the anti-tip brackets on the top compressor models, it will be necessary to temporarily remove the top, metal ceiling / shield to access the bolting points for the brackets. / shield to access the bolting points for the brackets.

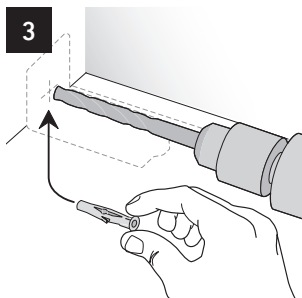
> Mark up the holes position on the wall [2].

2



> Drill the wall with an 3/8" (8 mm) bit and insert the expansion plug [3].

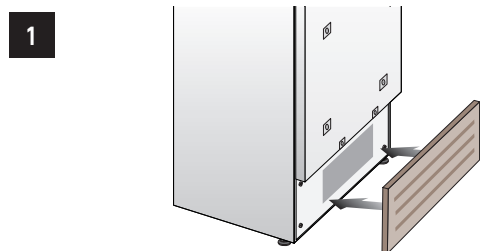
3



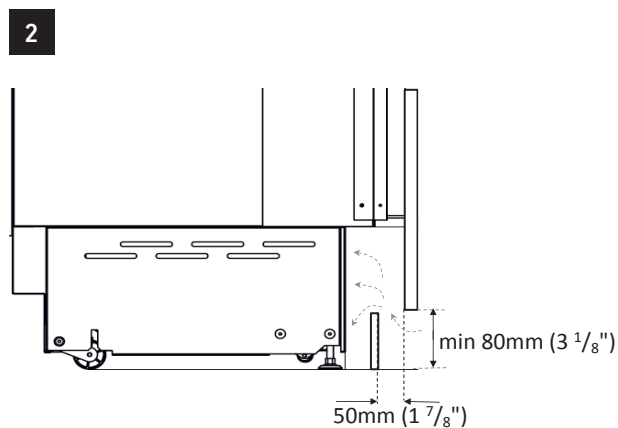
6.2 Ventilation

PANEL READY AND PANEL INSTALLED MODELS

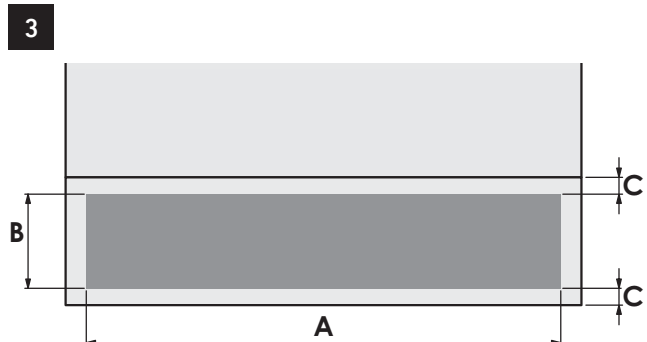
A forced air system assures ventilation through a grille, secured to the unit with magnetic plates, positioned in the lower front part of the unit [1].



If the kitchen cabinet includes a kickplate, it must be placed in a way to ensure a better airflow [2].

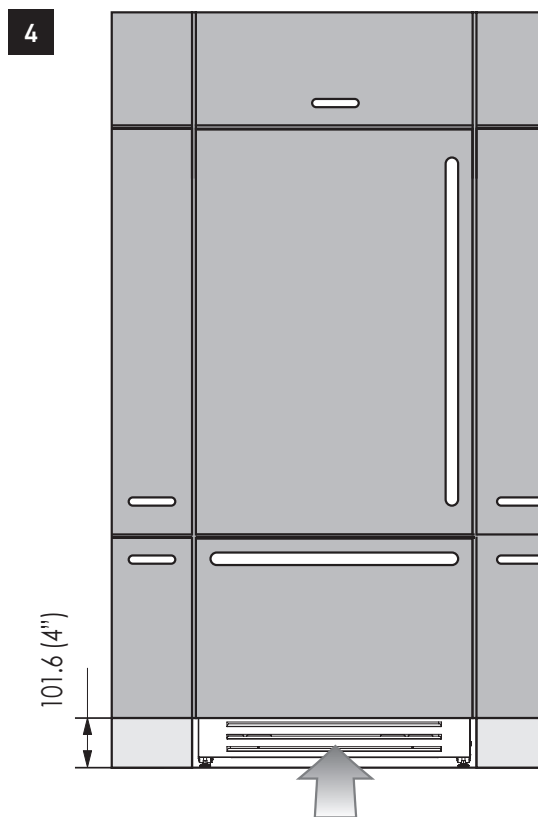


In case of placing a kickplate differently from picture (2), the kickplate has to be drill at least of an area equal to 50% of the area delimited by A and B dimensions in picture [3].



	36 "	30 "	24 "	18 "
A	860 (33 7/8")	740 (29 1/8")	560 (22")	410 (16 1/8")
B	> 80 (3 1/8")			
C	10 (3/8")			

The condenser must be cleaned on a regular basis. In order to do that, the front grille has to be accessible [4].



6. COMPLETING THE INSTALLATION


6.3 Post installation control

- ✓ Check that the front levelling feet have been properly installed.
- ✓ Check that the connection to the water system does not have any leaks and that the shut-off valve is easily accessible.
- ✓ Check that the electrical connection is correctly installed and that the socket and / or breaker are easily accessible.
- ✓ Check the perfect alignment of the appliance with adjacent structures.
- ✓ Check that all adhesive tape and external or internal temporary protective devices have been removed.
- ✓ Check the perfect closing of the doors and the smooth sliding of the drawers and shelves.

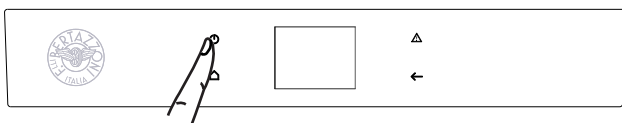
6.4 Start up

> To start the appliance, connect the plug to the electrical mains: at this point, when opening the door, the control panel will usually visualize the message "Stand by", and all the panel keys will be off




> To turn on all the appliance compartments, press the Unit  button for three seconds. The display will show the message "Initial test" for approximately 2 minutes. After this phase the compressors will start up and remain on until the compartment set temperatures are achieved.. Do bear in mind that this condition could last several hours during which time the display will continue to flash the 'Start Up Phase' message.

> If the appliance is provided with an Ice Maker, prior to switching it on make sure that the water filter cartridge is installed (unless water supply source is already filtered by other means such as reverse osmosis).



> Purge air from the water lines by performing the 'Manual Clean' function from the Menu->Functions->Water Filter options. You may need to complete this sequence several times until you stop hearing air sputtering from the ice maker fill tube (Refer to your Use & Care Manual).

> Once you are satisfied that the system is purged of air switch the Ice Maker on by touching the  button which will illuminate.

> For further information about the appliance operation, refer to the User Manual.



If at the first start-up the message Stand by does not appear, but other messages appear, such as Fridge too warm, Freezer too warm, or sound signals are activated, it means that the appliance has already previously started the cooling process. If this is the case, deactivate any possible acoustic signals by pressing the Alarm button, close the door and wait until the set temperature is reached.



It is necessary to let the unit reach the correct temperature before foods are stored inside.

Bertazzoni is constantly researching new ways to improve the features and the design of their products, therefore models are often upgraded and revised.

IMPORTANT

Sauf indication contraire :

- Les dimensions entre parenthèses sont exprimées en pouces : mm (in).
- Les poids entre parenthèses sont exprimés en livres : kg (lb).
- Les températures entre parenthèses sont exprimées en degrés Fahrenheit : °C (°F)

1 INSTRUCTIONS IMPORTANTES	4
1.1 Indications importantes de sécurité.....	4
1.2 Sécurité des enfants.....	4
2 EXIGENCES TECHNIQUES	5
2.1 Caractéristiques du réfrigérateur et exigences d'installation.....	5
2.2 Caractéristiques du logement d'installation du réfrigérateur : série Integrated.....	6
2.3 Caractéristiques du logement d'installation du réfrigérateur : série Integrated en acier inox.....	7
3 OPÉRATIONS À EFFECTUER AVANT L'INSTALLATION	8
3.1 Transport sur le lieu d'installation et déballage.....	8
3.2 Raccordement à l'alimentation d'eau et branchement électrique.....	8
3.3 Nivellement.....	9
4 MONTAGE DES PANNEAUX	10
4.1 Disposition des panneaux de revêtement de la porte et du tiroir inférieur	10
4.2 Disposition des brides de montage des panneaux de revêtement.....	11
4.3 Dimensions des panneaux.....	11
4.4 Montage des panneaux sur la porte et sur le tiroir des réfrigérateurs Integrated.....	13
5 INSTALLATION	15
5.1 Installation encastrée d'un seul réfrigérateur.....	15
5.2 Installation encastrée de deux réfrigérateurs ou plus.....	16
6 ACHÈVEMENT DE L'INSTALLATION	18
6.1 Montage de la sécurité anti-renversement.....	18
6.2 Circulation de l'air.....	19
6.3 Contrôle de fin d'installation.....	20
6.4 Mise en marche.....	20

1. INSTRUCTIONS IMPORTANTES

1.1 Indications importantes de sécurité

Symboles utilisés dans le présent guide :



Remarque

Recommandations de bonne utilisation du réfrigérateur.



Important

Indications à suivre pour prévenir les dommages causés au réfrigérateur.



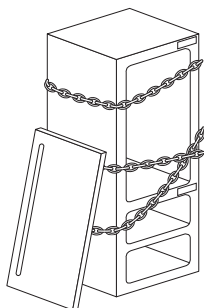
Attention

Indications permettant de prévenir les risques d'accident.

1.2 Sécurité des enfants

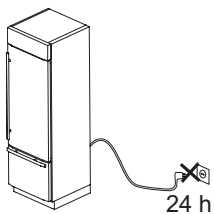
DANGER : risque de rester enfermé (pour les enfants). Avant de procéder à l'élimination du réfrigérateur ou congélateur usé :

- Retirer les portes.
- Laisser les clayettes en place de telle sorte que les enfants ne puissent pas s'introduire facilement à l'intérieur.



Attention !

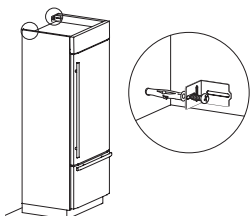
Le réfrigérateur objet du présent guide doit être transporté en position verticale. Si tel n'a pas été le cas, veiller à ce qu'il soit resté 24 heures en position verticale avant de l'allumer.



Pour prévenir les risques de blessures et de dommages matériels, observer la plus grande prudence lors du déplacement du réfrigérateur.



Fixer la partie supérieure du réfrigérateur au mur à l'aide des deux équerres fournies à cet effet.



Description	Integrated
Réfrigérateur	✓
Éléments de fixation, brides, vis et clés de montage des panneaux externes	✓
Profils en aluminium pour remplir l'espace entre le réfrigérateur et les meubles	✓
Kit pour le propriétaire (à l'intérieur du réfrigérateur)	✓

Description	Maker - Modèles dotés de distributeur de glace
Tuyau flexible de raccordement à l'alimentation d'eau (uniquement sur les modèles dotés de distributeur de glace)	✓
Filtre à eau (uniquement sur les modèles dotés de distributeur de glace)	✓
Pieds de nivellement	✓
Équerres anti-basculement avec chevilles et vis	✓
Kit de nettoyage du réfrigérateur	✓
Manuel d'utilisation, guide d'installation et certificat de garantie	✓

Veiller à lire attentivement le manuel d'utilisation et le guide d'installation, et les conserver en lieu sûr.

2. EXIGENCES TECHNIQUES

FR

2.1 Caractéristiques du réfrigérateur et exigences d'installation

Dimensions du réfrigérateur Integrated	L: 29 15/16" (761 mm) / H: 83 1/2" (2120 mm) / P: 24" (610 mm) L: 35 15/16" (913 mm) / H: 83 1/2" (2120 mm) / P: 24" (610 mm)
Dimensions du réfrigérateur Integrated en acier inox	L: 29 15/16" (761 mm) / H: 83 1/2" (2120 mm) / P: 24 3/16" (615 mm) L: 35 15/16" (913 mm) / H: 83 1/2" (2120 mm) / P: 24 3/16" (615 mm)
Dimensions du réfrigérateur emballé	Série 75 L : 31 1/2" (800 mm) / H : 89" (2260 mm) / P : 31 1/2" (800 mm) Série 90 L : 37 3/8" (950 mm) / H : 89" (2260 mm) / P : 31 1/2" (800 mm)
Poids avec emballage	Série 75 jusqu'à 606 lb (275 kg) Série 90 jusqu'à 650 lb (295 kg)
Tension	115V, 60Hz
Câble d'alimentation	3A
Pression d'alimentation d'eau potable	8 PSI - 75 PSI
Raccordement à l'alimentation d'eau	Raccord 1/4"
Accessoires d'installation fournis	<ul style="list-style-type: none">■ Kit de montage des panneaux personnalisés■ Kit anti-basculement■ Kit de raccordement latéral■ Clé Allen de 1/8" (4 mm)
Autres outils nécessaires	<ul style="list-style-type: none">■ Tournevis cruciforme■ Perceuse à percussion■ Foret de 1/8" (2.5 mm) à bois■ Foret de 3/8" (8 mm) à béton■ Clé de 3/4" (17 mm)
Réglage de la hauteur des roues postérieures	Douille de 1/2" (13 mm)



Remarque

Les modèles ne sont pas tous dotés de dispositif automatique de production de glaçons (Ice Maker). Pour savoir si le raccordement à l'alimentation d'eau est nécessaire, s'assurer que le modèle est doté de distributeur de glace.

2. EXIGENCES TECHNIQUES

2.2 Caractéristiques du logement d'installation du réfrigérateur : Série Integrated

A - espace à réserver aux équerres anti-basculement

Hauteur logement

83 7/8" (2130 mm)

Largeur logement

36" (914 mm)

30" (762 mm)

Espace d'ouverture porte

58 7/16" (1484 mm)

52 1/2" (1333 mm)

Angle d'ouverture porte

105°

Largeur

35 15/16" (913 mm)

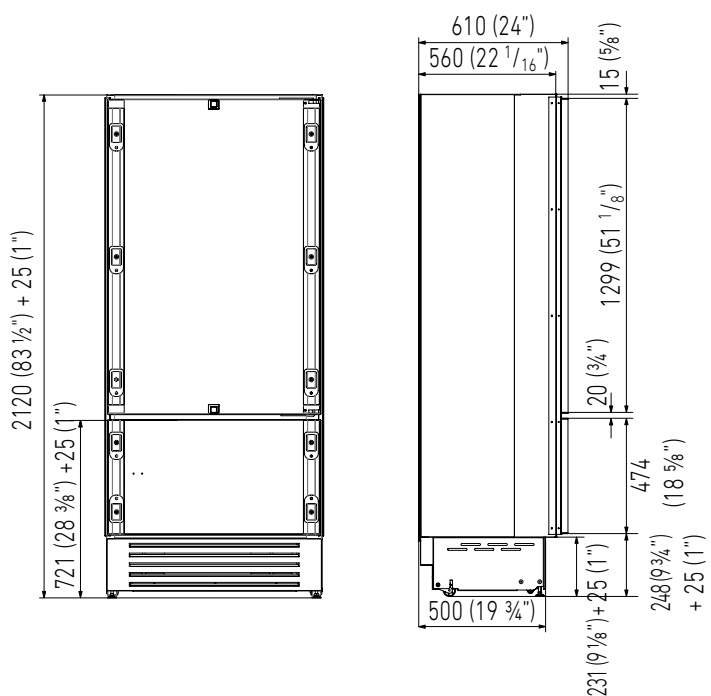
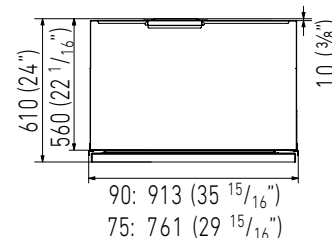
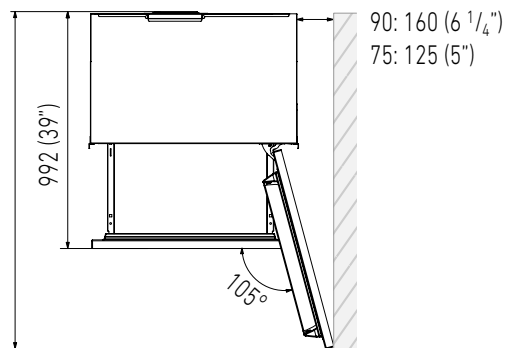
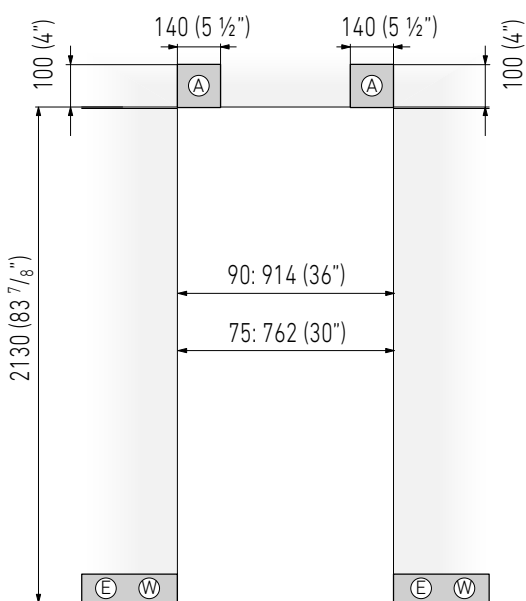
29 15/16" (761 mm)

Hauteur

83 1/2" (2120 mm) + 1" (25 mm)

Profondeur avec porte (sans panneau)

24" (610 mm)



2.3 Caractéristiques du logement d'installation du réfrigérateur : Série Integrated en acier inox

A - espace à réserver aux équerres anti-basculement

Hauteur logement

83 7/8" (2130 mm)

Largeur logement

36" (914 mm)

30" (762 mm)

Espace d'ouverture porte

58 3/8" (1482 mm)

52 3/8" (1331 mm)

Angle d'ouverture porte

105°

Largeur

35 15/16" (913 mm)

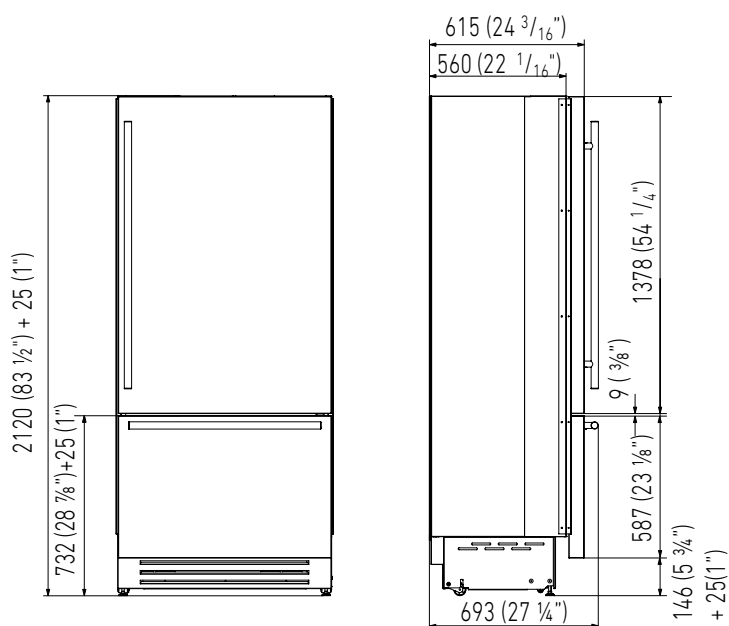
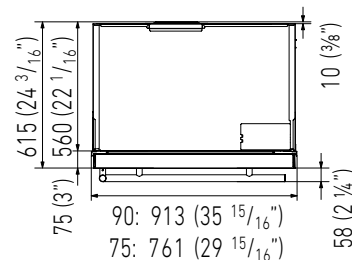
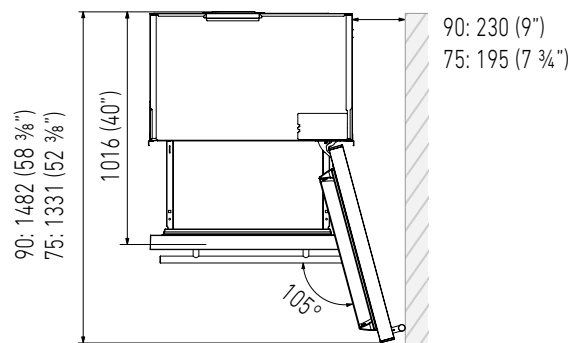
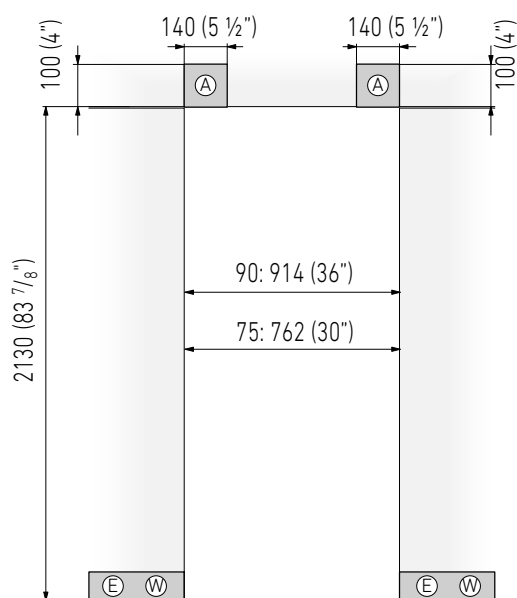
29 15/16" (761 mm)

Hauteur

83 1/2" (2120 mm) + 1" (25 mm)

Profondeur avec porte

24 3/16" (615 mm)



3. OPÉRATIONS À EFFECTUER AVANT L'INSTALLATION

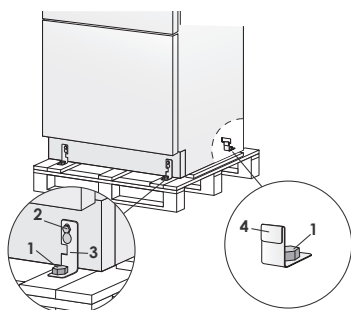
3.1 Transport sur le lieu d'installation et déballage



Le réfrigérateur est très lourd. Observer la plus grande prudence pendant le déplacement pour prévenir les risques de blessures.



Le réfrigérateur objet du présent guide doit toujours être transporté en position verticale. Veiller à toujours éviter de le poser en appui sur la partie frontale.



Le réfrigérateur étant lourd et de grandes dimensions, avant de le transporter, s'assurer que le lieu d'installation est accessible (dimensions des portes, espace de manœuvre dans les escaliers, etc.).

Le réfrigérateur est fixé à la base de l'emballage (palette) avec quatre boulons qu'il est possible de retirer avec une clé de 3/4" (19 mm). Il est recommandé d'amener le réfrigérateur sur le lieu d'installation à l'aide d'un chariot manuel et de ne retirer la base de l'emballage qu'ensuite. Le réfrigérateur objet du présent guide doit toujours être transporté en position verticale. Différemment, en cas d'impossibilité, le déplacer avec le côté postérieur orienté vers le bas. Une fois sur le lieu d'installation, il est possible de retirer le réfrigérateur de la palette et de le placer à l'endroit prévu à l'aide des quatre roues dont il est doté.

Procéder comme suit :

- > Retirer les quatre boulons [1] de fixation du réfrigérateur à la palette à l'aide d'une clé (ou clé à douille) de 3/4" (19 mm).
- > Retirer les brides de fixation [3] et [4].
- > Pour retirer la bride de fixation antérieure [3], dévisser de un ou deux tours la vis de réglage des roues postérieures [2] en utilisant une clé à douille de 1/2" (13 mm); ne pas forcer sur l'écrou pour ne pas risquer d'endommager le système de réglage des pieds de nivellement.
- > En procédant par l'arrière du réfrigérateur et en utilisant un chariot permettant d'en supporter le poids, retirer le réfrigérateur de la palette et le poser au sol. S'assurer de l'absence de débris au sol susceptibles de bloquer les roues et d'endommager le sol pendant le déplacement du réfrigérateur. Faire très attention à ne pas endommager le sol. Les sols délicats doivent être protégés à l'aide de panneaux de contreplaqué, de carton ou autres matériaux semblables.

3.2 Raccordement à l'alimentation d'eau et branchement électrique



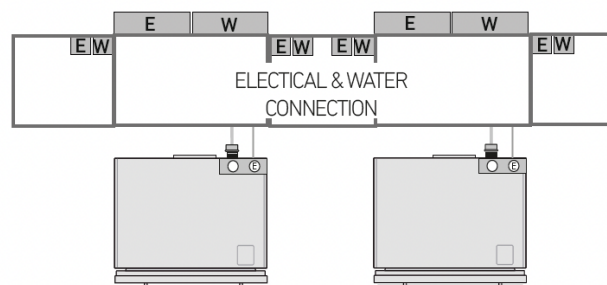
Le filtre intégré n'est pas en mesure de garantir la potabilité de l'eau non destinée à la consommation humaine.



Le réfrigérateur doit être raccordé à une unique alimentation d'eau potable.



Ne pas utiliser de rallonges ni d'adaptateurs. Dans le cas où il serait nécessaire de couper l'alimentation d'eau alors que le réfrigérateur est installé, raccordé à l'alimentation d'eau (si nécessaire) et en marche, appuyer tout d'abord sur la touche du panneau de contrôle puis fermer le robinet général d'eau, de façon à éviter le déclenchement de l'alarme « NO WATER IN » (ABSENCE EAU) sur le réfrigérateur.



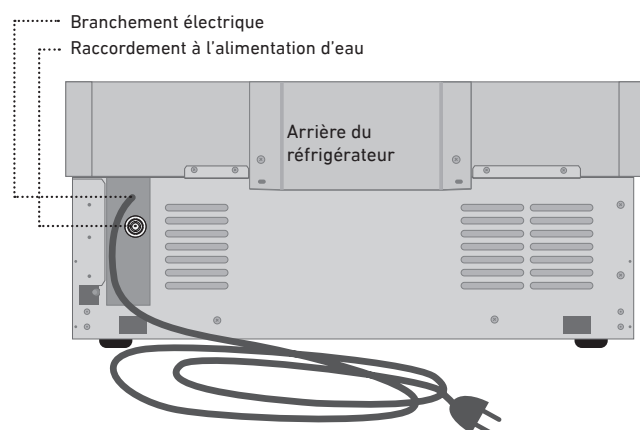
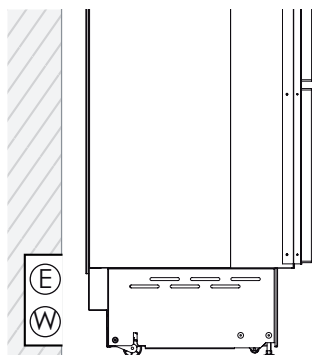
À leur sortie d'usine, les réfrigérateurs sont configurés pour fonctionner sur 115V, 60Hz. Ne pas brancher le réfrigérateur à une prise pourvue de disjoncteur. Le réfrigérateur est doté d'un câble avec fiche à brancher à une prise de 15A reliée à la terre. En outre, il est nécessaire d'installer un interrupteur, facile d'accès, permettant d'éteindre le réfrigérateur avant toute intervention d'installation ou d'entretien. Pour le raccordement à l'alimentation d'eau des réfrigérateurs dotés de distributeur de glace, il est nécessaire de prévoir l'installation, à un endroit facile d'accès, d'un tuyau de 1/4" avec vanne/robinet de coupure.

Le réfrigérateur est doté d'un adaptateur coudé en mesure de résister à une eau à haute pression et conforme aux normes alimentaires. La cartouche du filtre à eau, fournie avec le réfrigérateur, doit être installée dans le respect des instructions fournies à cet effet. Utiliser uniquement l'adaptateur fourni avec le réfrigérateur. Le raccord présent sur le réfrigérateur, doté d'électrovanne, est d'un diamètre de 1/4" avec filetage métrique. Les raccords filetés des tuyaux de jardin traditionnels ou des tuyaux à tressage en acier inox vendus dans la plupart des quincailleries peuvent marquer ou endommager le filetage du raccord. Pour le raccordement du réfrigérateur à l'alimentation d'eau, utiliser uniquement l'adaptateur coudé fourni à cet effet (1/4" à raccord rapide) à raccorder à un tuyau de 1/4" en cuivre ou en polyéthylène.


Longueur du câble électrique : 98 3/8" (2500 mm)
Longueur du tuyau d'eau : 98 3/8" (2500 mm)

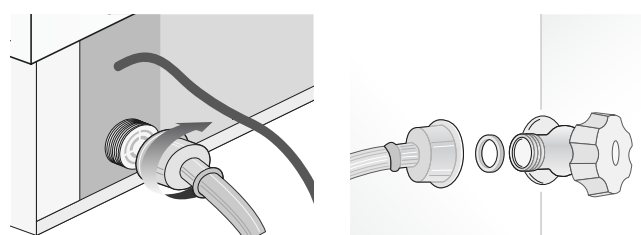
Pour le branchement électrique, ne pas utiliser de rallonges ni d'adaptateurs.

BRANCHEMENT ÉLECTRIQUE ET RACCORDEMENT À L'ALIMENTATION D'EAU SUR LA PARTIE POSTÉRIEURE DES RÉFRIGÉRATEURS DE LA SÉRIE INTEGRATED.



Procéder comme suit :

- > Dérouler le câble électrique et le brancher directement à la prise murale.
- > S'assurer que le réfrigérateur est en stand-by et que tous les voyants sont éteints ; si tel n'est pas le cas, appuyer sur la touche Unit (Unité)  pour éteindre le réfrigérateur.
- > Raccorder le tuyau d'alimentation d'eau de 1/4" au raccord coudé et visser l'adaptateur coudé à l'électrovanne au dos du réfrigérateur. Serrer à fond à la main (pour obtenir un bon serrage, aucun outil ni aucune clé spéciale n'est nécessaire). Ouvrir l'alimentation d'eau et s'assurer de l'absence de fuites au niveau des raccords avant de pousser le réfrigérateur dans son logement.

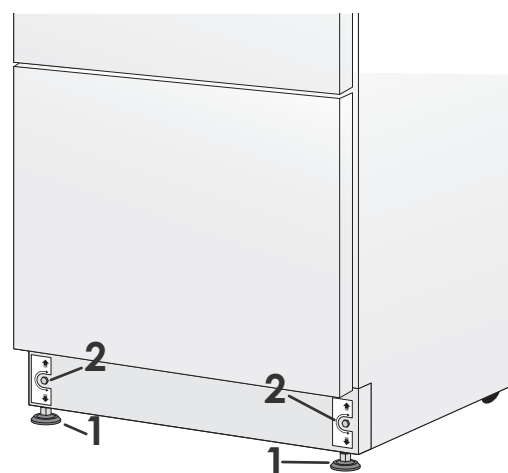


3.3 Nivellement

S'assurer que le réfrigérateur est nivelé en intervenant au besoin sur les pieds frontaux et sur les roues postérieures réglables.

Procéder comme suit :

- > Le réfrigérateur est généralement fourni avec la grille fixée au dos à l'aide de ruban adhésif. Dans le cas où elle serait déjà en place, la retirer (elle est maintenue en position par des aimants) et régler la hauteur des pieds de nivellement [1] à l'aide d'une clé de 3/4" (17 mm).
- > Ensuite, régler la hauteur des roues postérieures en tournant les vis de réglage antérieures [2] dans un sens ou dans l'autre (pour cette opération, ne pas utiliser de visseuse électrique à un couple élevé pour ne pas endommager le mécanisme de nivellement).
- > Ne remonter la grille de ventilation inférieure qu'après avoir nivelé le réfrigérateur.



4. MONTAGE DES PANNEAUX

4.1 Disposition des panneaux de revêtement de la porte et du tiroir inférieur

Les dimensions des panneaux sont indiquées dans le tableau et sur les dessins de la page 13.

Néanmoins, en fonction des exigences d'alignement sur les autres structures de la cuisine, le panneau de la porte peut dépasser le bord supérieur de la porte du réfrigérateur et le panneau du tiroir peut dépasser le bord inférieur de ce dernier.

Les panneaux doivent être montés en utilisant les tirants prévus à cet effet, à accrocher aux dispositifs réglables présents sur la porte et sur le tiroir et les brides de fixation et de réglage vertical des panneaux.

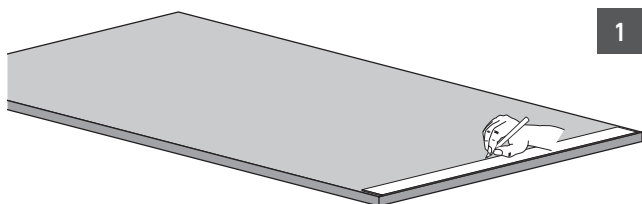
Les tirants, les brides et les vis de fixation sont fournis avec le réfrigérateur et doivent être appliqués aux panneaux comme indiqué.

Procéder comme suit :

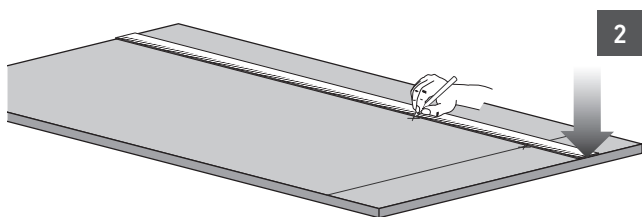
Pour préparer les panneaux en vue de leur montage sur le réfrigérateur, effectuer les opérations suivantes au dos des panneaux.

Panneau de la porte

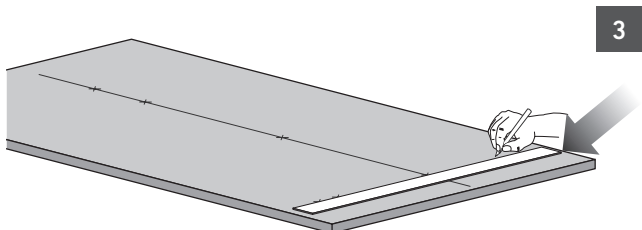
> Tracer une ligne centrale de référence en divisant par deux la largeur du panneau [1].



> En partant du bord inférieur du panneau, marquer la position des brides [2].

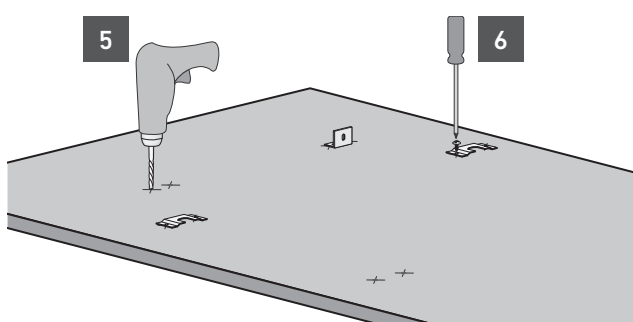
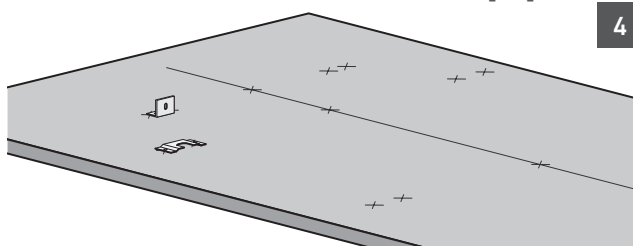


> En faisant référence au tableau correspondant, marquer tout d'abord le trou externe puis le trou interne [3].



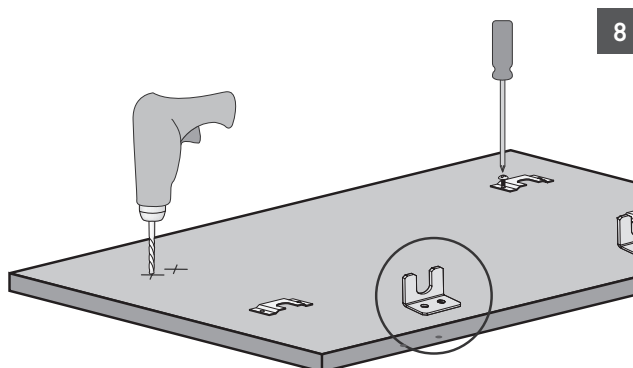
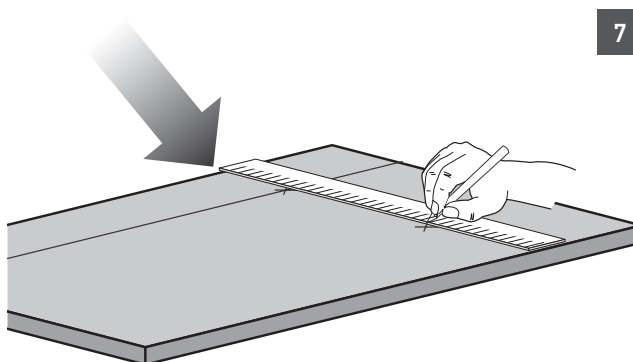
> Placer les brides sur les marques précédemment tracées pour s'assurer de leur alignement [4]; au besoin, il est possible d'effectuer des avant-trous (en veillant à bien faire attention à l'épaisseur du panneau) [5].

> Positionner les brides en les vissant [6].

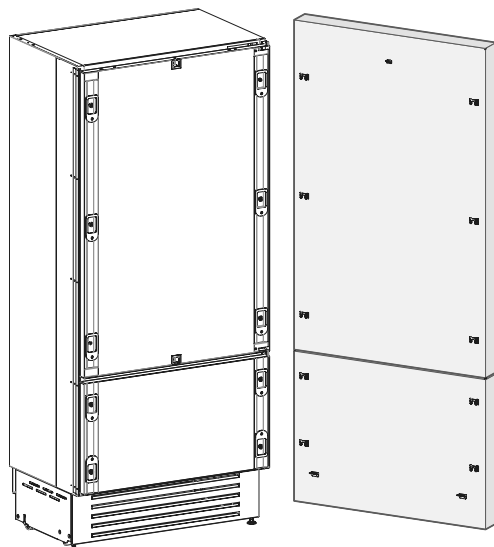


Panneau du tiroir

> Pour la préparation du panneau du tiroir, suivre les mêmes instructions que celles fournies pour le panneau de la porte mais prendre les mesures en partant du bord supérieur [7]. La bride de fixation doit être orientée vers le côté opposé [8] (voir fig. 4 et 8).



4.2 Disposition des brides de montage des panneaux de revêtement

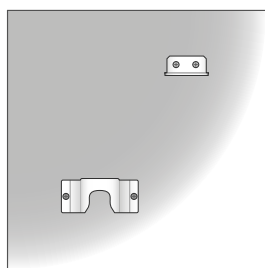


	SÉRIE 90	SÉRIE 75
A	35 3/4" (908)	29 3/4" (756)
B	16 1/2" (418)	13 1/2" (343)
C	14" (354.5)	11" (279.5)

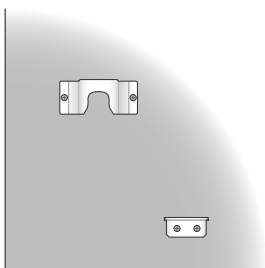
Remarque



Toutes les mesures relatives au positionnement des brides latérales doivent être calculées de la ligne centrale au trou externe de la bride.

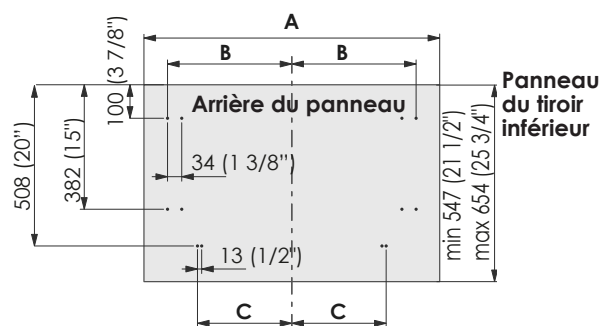
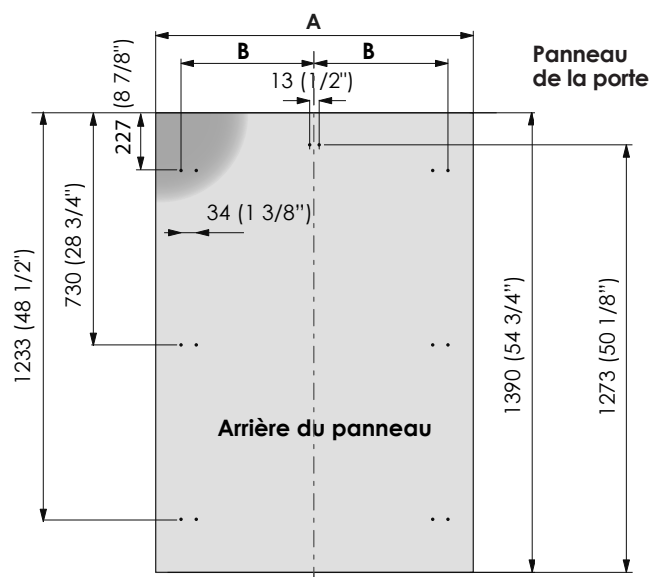


Bride de réglage vertical de la porte supérieure. Prendre note de l'orientation.



Bride de réglage vertical du tiroir inférieur. Prendre note de l'orientation.

Position des trous



4.3 Dimensions des panneaux

L'épaisseur des panneaux peut être comprise entre 3/4" (18 mm) et 1 1/8" (28 mm).

Le poids du panneau de la porte peut atteindre 51 lbs (23 kg) alors que celui du tiroir peut être de 25 lbs (11kg) max. Le dépassement de ces poids peut annuler la garantie en cas d'interventions rendues nécessaires par des problèmes causés par des panneaux excessivement lourds. Le mécanisme à charnière des réfrigérateurs est exempt de tout jeu. Les largeurs de la porte et du tiroir indiquées ci-après supposent l'utilisation d'un logement d'une largeur minimum, avec un dégagement de 1/8" (3,2 mm) autour des panneaux.

Régler les dimensions des panneaux sur la base des critères du projet, en tenant compte de la largeur du logement et de l'espace présent autour (dégagement).

SÉRIE	LARGEUR PORTE/TIROIR	LARGEUR LOGEMENT
90	35 3/4" (908)	36" (914)
75	29 3/4" (756)	30" (762)

4. MONTAGE DES PANNEAUX

4.3 Dimensions des panneaux

Exemple :

Hauteur logement : $83 \frac{7}{8}$ "

Largeur logement : 36"

Hauteur plinthe : 4"

Dégagement voulu : $\frac{1}{8}$ "

Panneau de la porte :

Largeur : $35 \frac{3}{4}$ "

Hauteur : $54 \frac{3}{4}$ "

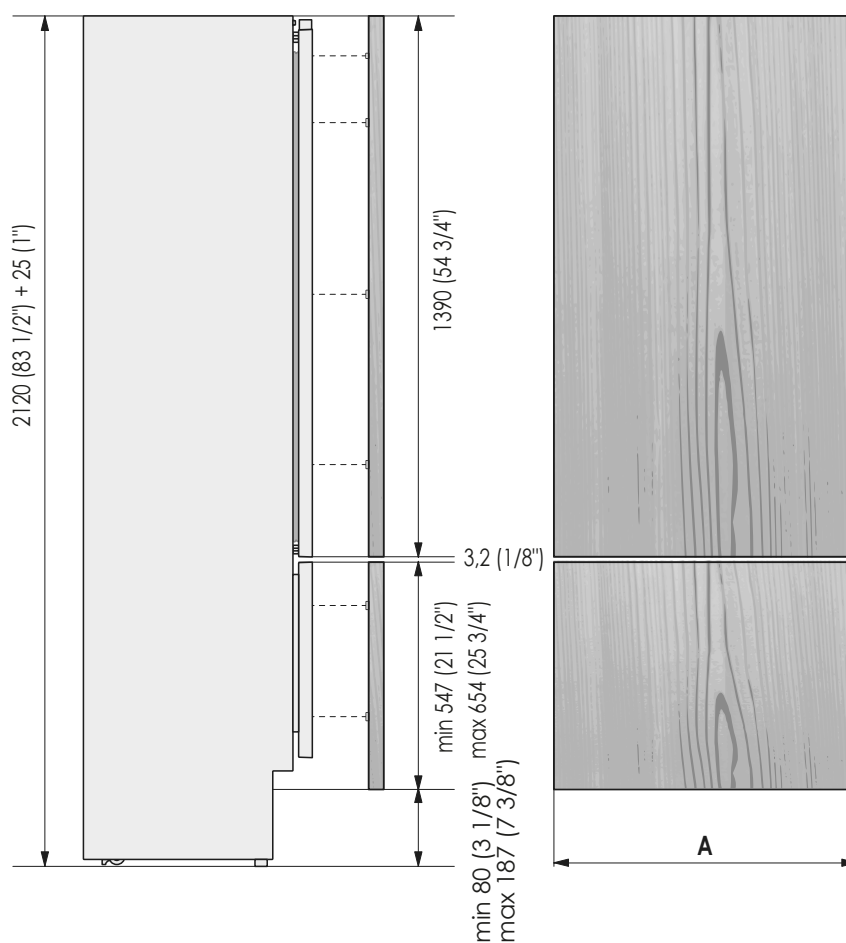
Panneau du tiroir :

Largeur : $35 \frac{3}{4}$ "

Hauteur : $83 \frac{7}{8}$ " - $\frac{1}{8}$ " - $54 \frac{3}{4}$ " - $\frac{1}{8}$ " - 4" = $24 \frac{7}{8}$ "

Pour obtenir une plinthe d'une hauteur de 6", la hauteur du panneau du tiroir inférieur doit être de $22 \frac{7}{8}$ ".

La formule ci-dessus permet d'obtenir le panneau du tiroir du congélateur au ras de la plinthe. Il est possible de rallonger le panneau du tiroir du congélateur de $\frac{13}{16}$ " pour couvrir davantage le coup-de-pied.



4.4 Montage des panneaux sur la porte et sur le tiroir des réfrigérateurs Integrated

Visser d'environ 3 tours 1 vis de fixation et 1 vis de réglage de la profondeur, au ras de la mousse de remplissage dans chaque cavité de montage. Après avoir monté toutes les brides et les équerres sur le panneau, il est possible de fixer ce dernier au tiroir inférieur.

Procéder comme suit :

> Visser partiellement les vis de réglage munies des rondelles correspondantes dans les deux trous présents sur la partie inférieure du tiroir [1].

> S'assurer que les brides en L sont alignées sur les vis de réglage sur le fond, positionner un panneau contre le tiroir avec les brides de fixation placées sur les vis de fixation et laisser le panneau descendre. S'assurer que toutes les brides de fixation sont parfaitement introduites dans les vis de fixation [2].

> Une fois toutes ces opérations effectuées, il est possible d'aligner la hauteur des panneaux sur les meubles adjacents à l'aide des brides inférieures d'alignement [3], en serrant ou en desserrant les vis en fonction des corrections nécessaires. Avec les vis de fixation légèrement serrées, déplacer le panneau latéralement pour l'aligner sur l'autre panneau du réfrigérateur ou sur les structures adjacentes. Quelques légers coups sur le panneau avec un maillet en caoutchouc permettent de procéder à de petites corrections de réglage de l'alignement X du panneau.

> Alignement en profondeur : en intervenant de l'intérieur du tiroir, après avoir soulevé le joint magnétique, régler la position du panneau de façon à l'approcher ou à l'éloigner de la porte à travers les trous [4] puis le bloquer en utilisant les trous [5].

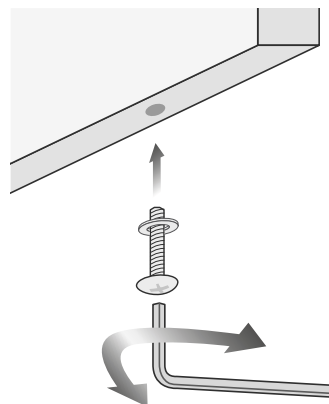
En tournant dans le sens indiqué par la flèche épaisse, le panneau est rapproché de la surface de la porte ou du tiroir alors qu'en tournant dans le sens indiqué par la flèche fine, le panneau est éloigné de la surface de la porte ou du tiroir.



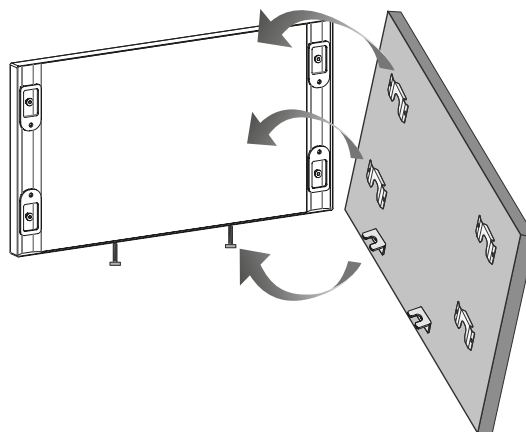
Une fois le panneau frontal positionné, remettre correctement en place le joint, de façon à garantir la bonne fermeture de la porte ou du tiroir et à éviter tout mauvais fonctionnement du réfrigérateur.

4.4 Montage des panneaux sur la porte et sur le tiroir des réfrigérateurs Integrated

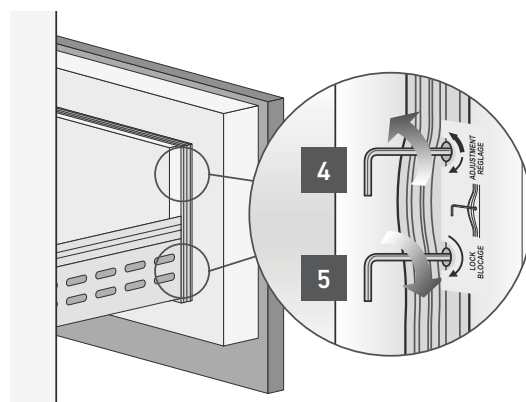
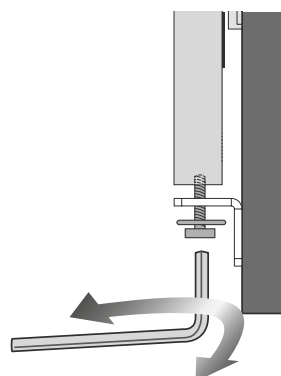
1



2



3



4. MONTAGE DES PANNEAUX

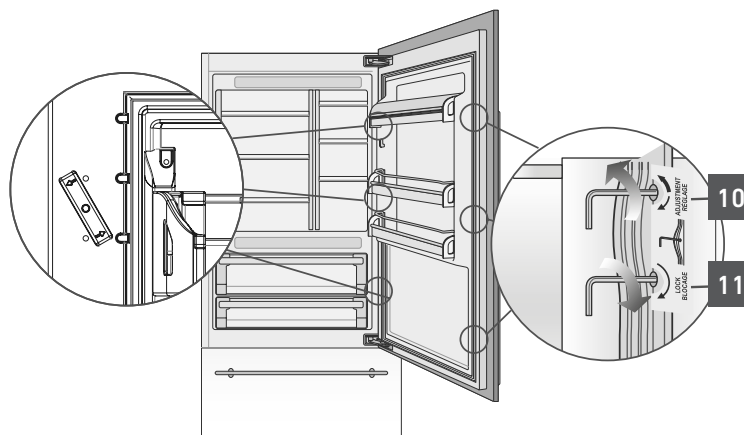
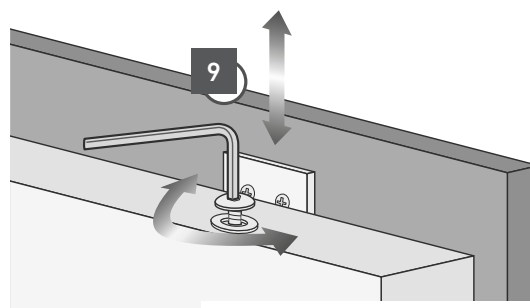
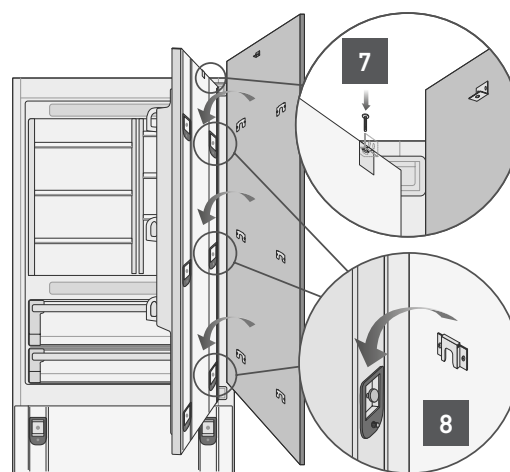
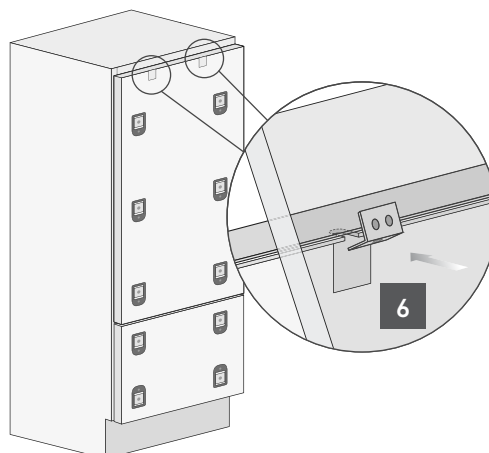
4.4 Montage des panneaux sur la porte et sur le tiroir des réfrigérateurs Integrated

Procéder comme suit :

- > S'assurer que les brides de réglage en L sont alignées et introduites dans les cavités présentes sur la partie supérieure de la porte [6].
- > Ensuite, il est possible de régler l'alignement entre le panneau et les meubles adjacents en utilisant les brides et les équerres d'alignement [7] et [8].
- > Alignement vertical : serrer ou desserrer la vis dans les brides pour soulever ou abaisser le panneau [9].
- > Alignement en profondeur : en intervenant de l'intérieur de la porte, après avoir soulevé le joint magnétique, régler la position du panneau de façon à l'approcher ou à l'éloigner de la porte à travers les trous [10] puis le bloquer en utilisant les trous [11].



Une fois le panneau frontal positionné, remettre correctement en place le joint, de façon à garantir la bonne fermeture de la porte ou du tiroir et à éviter tout mauvais fonctionnement du réfrigérateur.



5.1 Installation encastrée d'un seul réfrigérateur



Une fois le panneau frontal positionné, s'assurer que le joint est correctement positionné, de façon à garantir la bonne fermeture de la porte ou du tiroir et à éviter tout mauvais fonctionnement du réfrigérateur.

Pour fermer les espaces présents entre le réfrigérateur et les meubles adjacents dans le cas des installations encastrées, des profils latéraux spéciaux (installés) et des couvre-profil (fixés à l'aide de ruban adhésif au dos du réfrigérateur) sont prévus. Les profils latéraux servent à fixer le réfrigérateur dans le logement et leur épaisseur peut être majorée côté réfrigérateur de façon à couvrir la largeur du logement (faire quelques essais en retirant les vis de fixation du profil sur le côté du réfrigérateur, par exemple en plaçant des rondelles entre le profil et le réfrigérateur et en remettant ensuite en place les vis).

Procéder comme suit :

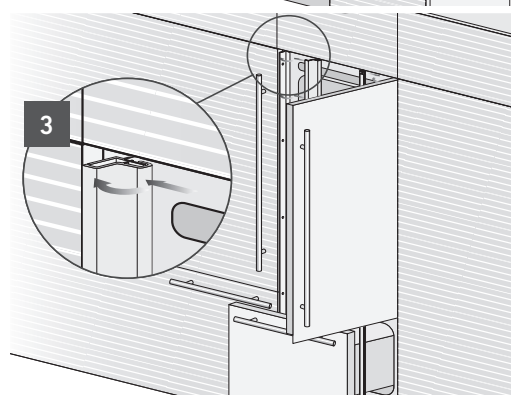
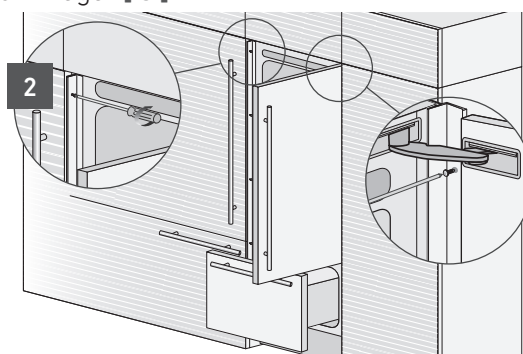
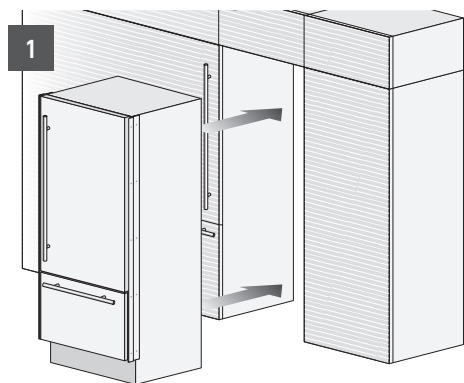
- > Pousser le réfrigérateur dans le logement d'installation [1].
- > Si le réfrigérateur doit être installé dans un logement ou à l'intérieur d'une structure fermée, il n'est pas nécessaire de prévoir un espace de ventilation à l'arrière du logement dans la mesure où les modèles européens prévoient une couverture supérieure qui assure une ventilation suffisante y compris derrière le panneau de revêtement. Avant de pousser le réfrigérateur au fond du logement, s'assurer que les panneaux sont montés (série BI) dans la mesure où la procédure de montage des panneaux impose de disposer d'un espace supplémentaire en hauteur outre l'espace offert par le logement. Dans le cas où pour une quelconque raison il serait nécessaire de

retirer la couverture supérieure de ventilation, prévoir un espace d'au moins 5 mm à hauteur de la partie supérieure/postérieure du meuble pour l'évacuation de l'air chaud.

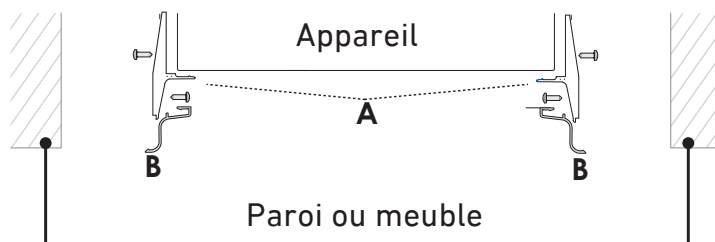
- > Contrôler le nivellement du réfrigérateur et intervenir au besoin sur les pieds et les roues.
- > En utilisant les vis fournies à cet effet, fixer le réfrigérateur aux meubles adjacents à travers les trous des profils latéraux [2].

Pour faciliter cette opération, maintenir la porte et le tiroir ouverts. Pour accéder facilement à l'aide d'un tournevis au profil côté charnière, il peut s'avérer nécessaire de maintenir la porte ouverte d'environ 70°.

- > Installer les couvre-profil : les aligner sur la partie frontale du réfrigérateur et sur la partie supérieure du logement et les faire coulisser latéralement sur les profils. Pour bloquer les couvre-profil en position (jusqu'à ce que l'on entende le déclic), il est nécessaire d'exercer une forte pression ou d'utiliser un bloc de bois et un maillet. Veiller à ne pas endommager les profils. Avant de monter les couvre-profil, s'assurer que le réfrigérateur est correctement installé dans la mesure où il est difficile de les retirer sans les endommager [3].



MONTAGE DES PROFILS LATÉRAUX



- A** Bordure de connexion du profil
- B** Garniture de recouvrement du profil

5. INSTALLATION

5.2 Encastrement combinaison de deux appareils

> Les accessoires nécessaires doivent être commandés séparément : Kit de raccordement central



Des profils en plastique sont compris et peuvent être utilisés pour fermer les espaces entre l'appareil et les meubles adjacents ou un autre appareil juxtaposé à celui-ci.

Intervenir de la manière suivante:

> Positionner les appareils devant la niche en laissant un espace suffisant pour intervenir sur l'arrière des appareils [1].

IMPORTANT: les appareils doivent être au même niveau

1 – Fixez les deux unités l'une à l'autre à l'avant, à l'aide des 5 supports en plastique blanc pour maintenir les unités ensemble.

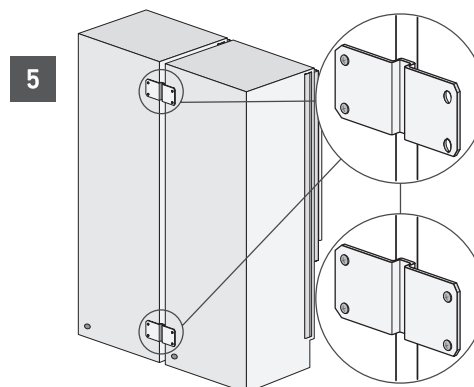
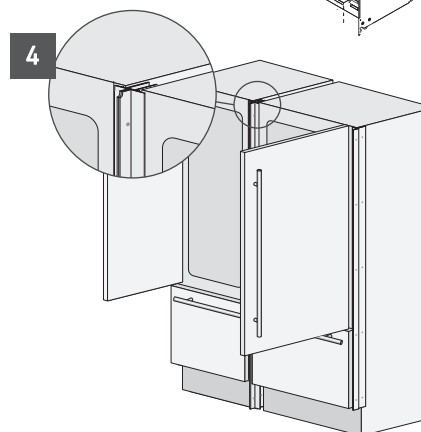
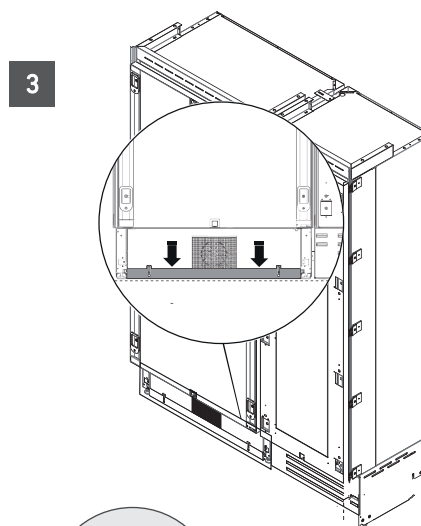
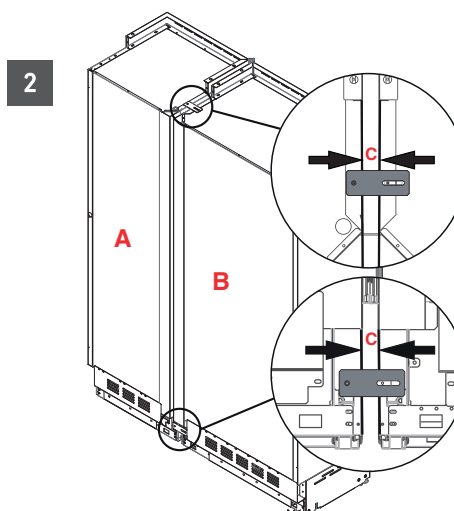
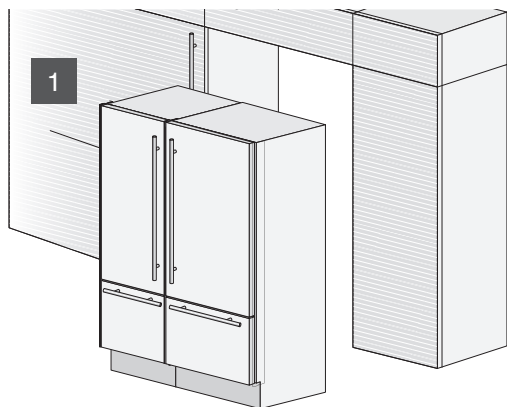
2 – Ajustez les unités à l'arrière, de sorte que les panneaux latéraux soient parfaitement parallèles les uns aux autres. Il existe des indices visuels qui vous aideront à l'alignement.

3 – L'écart (C) entre les unités doit être le même à l'arrière, en haut et à l'avant. Mesurez l'écart sur tous les bords et ajustez s'il n'est pas égal [2].

4 – Une fois que l'écart est uniforme sur tous les bords, fixez les supports. Si l'écart entre les unités n'est pas uniforme, les portes ne s'aligneront pas correctement.

Les mesures d'écart varient selon les types d'unités installées. Veuillez vous référer au tableau ci-dessous pour les mesures d'écart correctes.

Distances entre unités (A+B)					
C	A				
	18"	24"	30"	36"	
B	18"	7/8" (22 mm)	15/16" (23,5 mm)	1" (24,5 mm)	1" (25,5 mm)
	24"	15/16" (23,5 mm)	1" (25 mm)	1" (26 mm)	1 1/16" (27 mm)
	30"	1" (24,5 mm)	1" (26 mm)	1 1/16" (27 mm)	1 1/8" (28 mm)
	36"	1" (25,5 mm)	1 1/16" (27 mm)	1 1/8" (28 mm)	1 1/8" (29 mm)



Une fois les appareils réglés et correctement mis à niveau, desserrez les deux vis qui maintiennent la plaque d'étanchéité en place.

Abaissez la plaque jusqu'à ce qu'elle affleure le sol et resserrez les vis. Cela garantira un flux d'air optimisé à travers le condenseur, nécessaire au bon fonctionnement des appareils [3].

> Ensuite les accoupler sur le devant en fixant les deux profils avec les vis ou les rivets fournis [4]. Fixer le support sur la partie supérieure des unités (le cas échéant) comme illustré à la figure [5].

> Fixer l'équerre supérieure l'inférieure [6] d'abord sur un appareil et puis sur l'autre. Compléter en montant la corniche de couverture centrale en poussant avec force jusqu'au "clic".

> Une fois complétés les passages ci-dessus, poussez les appareils dans leur position définitive [7].

Assemblez toujours le panneau frontal à la porte avant de placer l'appareil dans sa position définitive dans la niche ou la structure.

> Vérifier que les pieds et les roues arrière soient à niveau avant d'encastrer l'appareil.

> Fixer chaque appareil aux meubles adjacents en vissant à ces derniers les profils latéraux, déjà montés sur les appareils [8]. Pour effectuer facilement l'opération, garder la porte ouverte.

> Monter sur les profils les corniches de couverture, en les insérant latéralement et puis en poussant avec force jusqu'au "clic" (comme pour l'encastrement de l'appareil unique) [9].



Faire attention car les appareils ont la partie avant plus lourde et peuvent s'incliner avant qu'ils soient fixés aux meubles adjacents.

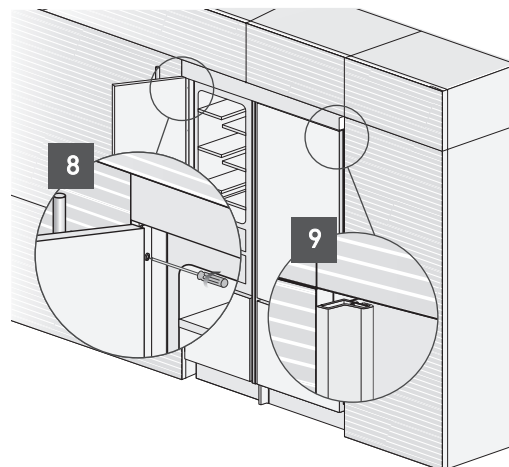
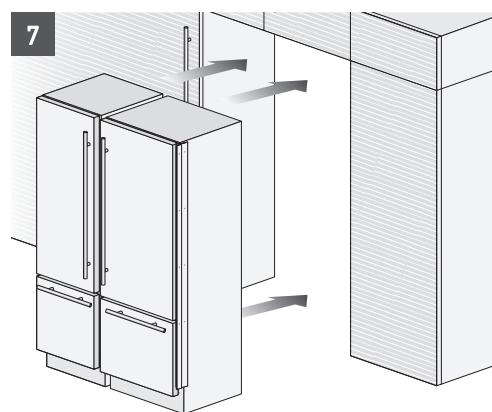
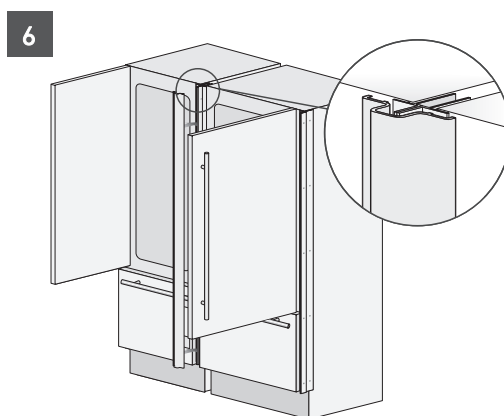
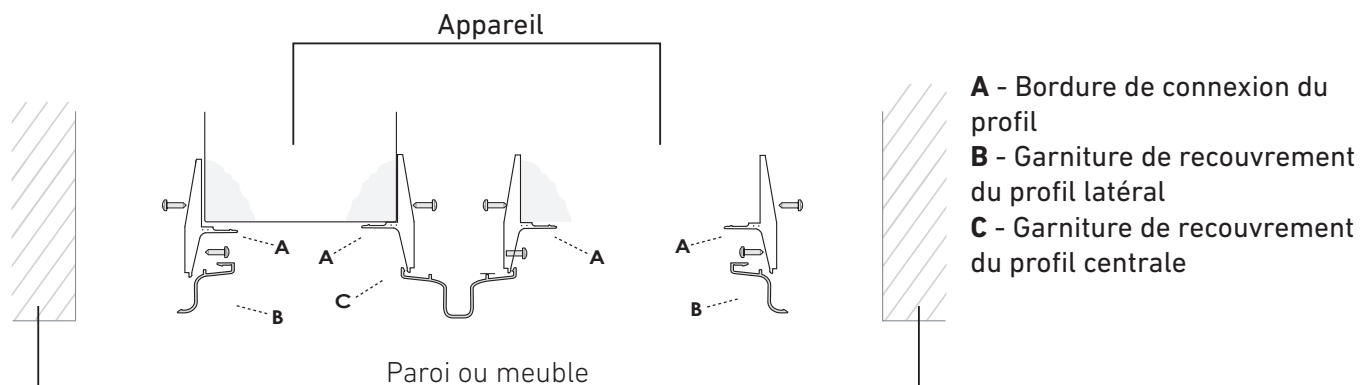


Schéma montage des profils central et latéraux:



6. ACHÈVEMENT DE L'INSTALLATION

6.1 Montage de la sécurité anti-renversement

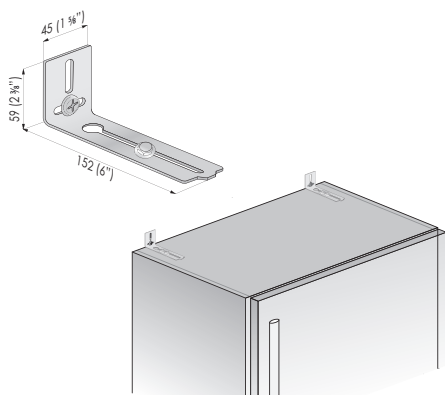


Si l'appareil(s) n'est pas relié par les garnitures des profils laté aux au meuble, il est nécessaire d'installer les équerres antirenversement afin d'éviter toute chute en avant du produit pendant l'utilisation, pouvant entraîner des dommages ou des blessures. Toute demande d'intervention en garantie liée à une situation de renversement sera nulle si l'appareil(s) n'est pas fixé solidement.

Intervenir de la manière suivante:

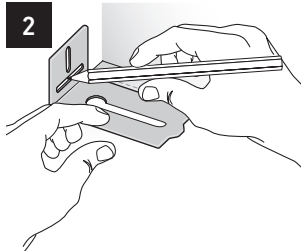
> Les équerres devraient être appliquées comme illustré, en utilisant les vis fournies. En cas d'utilisation des équerres anti-renversement, il est recommandé de les fixer dans des charpentes en bois ou en béton - les plaques de plâtre ne pourraient pas supporter le poids de l'appareil. Positionner un équerre sur la partie supérieure de l'appareil en correspondance des trous de fixation et contre le mur [1].

1

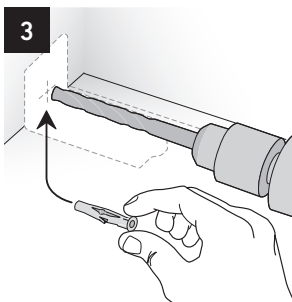


> Marquer la position des trous avec un crayon [2].

2

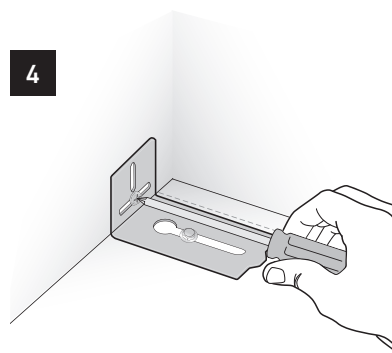


> Percer le mur avec une mèche de 3/8" (8 mm) et insérer la vis tamponnée [3].



> Replacer l'équerre et la fixer d'abord sur la partie supérieure du meuble et, ensuite, au mur [4].

4

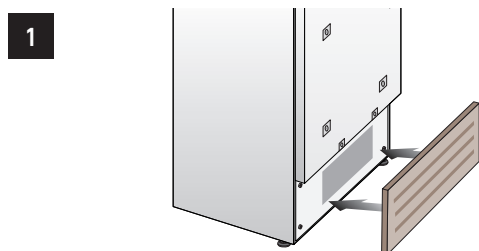


Pour pouvoir utiliser les équerres anti-renversement sur des modèles avec le compresseur installé sur la partie supérieure, il est nécessaire de retirer temporairement la partie supérieure, le plafond métallique / panneau de protection, afin d'accéder aux points de boulonnage des équerres.

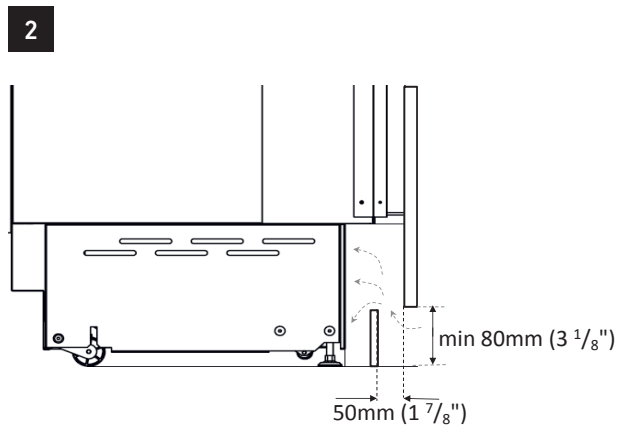
6.2 Circulation de l'air

MODELS ENCASTRABLES ET ENCASTRABLES AVEC PORTE INOX:

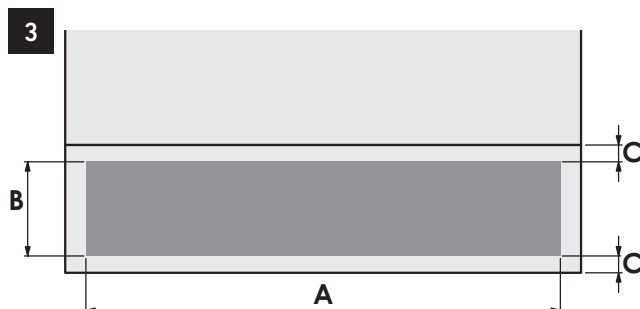
Un système à air forcé assure la ventilation à travers la grille, bien fixée à l'appareil par du plaqués magnétiques, positionnée dans la partie inférieure de l'appareil [1].



Si l'aménagement de la cuisine prévoit une plinthe, cette dernière doit être placée d'une manière de garder un niveau d'aération satisfaisant, comme expliqué dans le dessin [2].

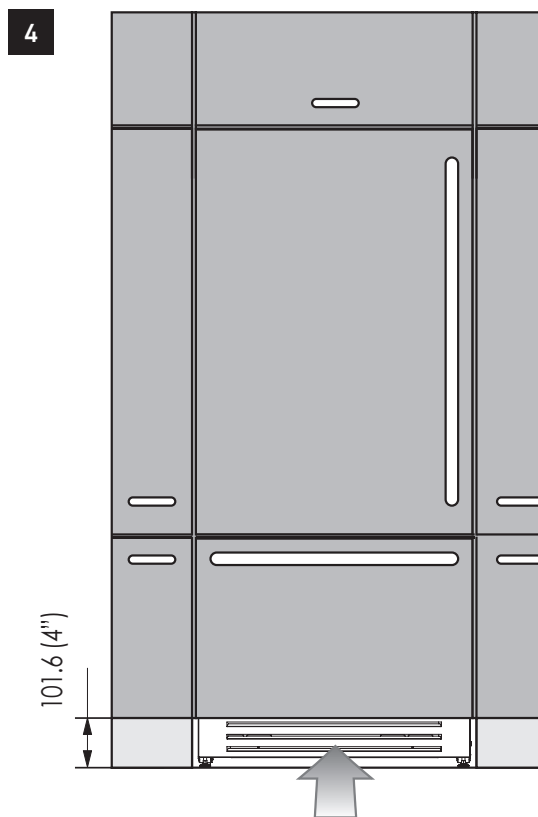


Si la grille est positionnée différemment que le dessin [2], la plinthe doit être trouée au moins au 50%, comme par les dimensions A et B en bas [3].



	36 "	30 "	24 "	18 "
A	860 (33 7/8")	740 (29 1/8")	560 (22")	410 (16 1/8")
B	> 80 (3 1/8")			
C	10 (3/8")			

Afin de nettoyer régulièrement le condenseur de la poussière, la grille doit toujours être accessible [4].



6. ACHÈVEMENT DE L'INSTALLATION

6.3 Contrôle de fin d'installation

- ✓ Contrôler que les pieds sont correctement installés.
- ✓ Contrôler que le raccordement à l'installation hydrique ne présente pas de fuites d'eau et que le robinet de fermeture est facilement accessible.
- ✓ Contrôler que le branchement électrique soit correctement réalisé et que la fiche et l'interrupteur omnipolaire dédié soient facilement accessibles.
- ✓ Contrôler le parfait alignement de l'appareil avec les meubles adjacents.
- ✓ Contrôler que chaque ruban adhésif ou protection temporaire interne ou externe soit éliminé.
- ✓ Contrôler la parfaite étanchéité des portes et le coulissement des bacs et des clayettes.

6.4 Mise en marche

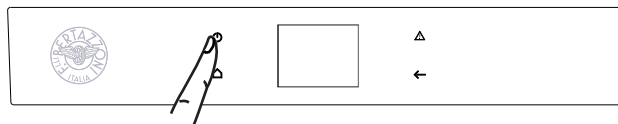
> Pour mettre en marche l'appareil, brancher la fiche au réseau électrique: lorsque la porte est ouverte, apparaît sur le panneau de commande le message "Stand-by", alors que toutes les touches du panneau sont éteintes.

Stand by


> Pour mettre en marche tous les compartiments de l'appareil, appuyer pendant 3 secondes sur la touche Unit .

Le message "initial test" apparaîtra pendant environ 2 minutes, ensuite les compresseurs seront actifs jusqu'à attendre la température prévue en usine par défaut. Veuillez noter que cette opération pourrait durer plusieurs heures.

> Si l'appareil est fourni avec un appareil à glaçons avant de le mettre en marche pour la première fois, veuillez vous assurer que la cartouche du filtre pour l'eau a bien été installée et effectuez un remplissage du circuit hydraulique.



> Éliminez l'air des conduites d'eau en activant la fonction «Nettoyage manuel» du menu - > Fonctions-> Options de filtre à eau. Vous pourriez avoir besoin de répéter cette séquence plusieurs fois jusqu'à ce que vous arrêtez d'entendre l'air dans le remplissage de la machine à glaçons (Consulter le Mode d'emploi).

> Une fois que vous êtes convaincu que le système est purgé d'air, allumez la machine à glaçons en touchant le  bouton qui s'allume.

> Pour toute autre information concernant le fonctionnement de l'appareil, se référer au Mode d'emploi.



Si lors de la première mise en marche, n'apparaît pas le message Stand-by, mais apparaissent Fridge too warm, Freezer too warm ou signaux sonores, cela signifie que l'appareil a déjà commencé la procédure de refroidissement.

Dans ce cas désactiver les éventuels messages sonores en effleurant la touche Alarm, refermer la porte et attendre que les températures programmées soient atteintes.



Il faut laisser l'unité atteindre la température de fonctionnement vide et avec la porte fermée avant que les aliments sont stockés à l'intérieur.

Bertazzoni est constamment à la recherche de nouvelles solutions pour améliorer les caractéristiques et le design de ses propres produits et se réserve le droit d'apporter continuellement des modifications à ses modèles.

IMPORTANTE

Cuando no se especifique lo contrario:


- Las medidas entre paréntesis están expresadas en pulgadas: mm (in).
- Los pesos entre paréntesis están expresados en libras: kg (lb).
- Las temperaturas entre paréntesis están expresadas en grados Fahrenheit: °C (°F)


1 INSTRUCCIONES IMPORTANTES	4
1.1 Indicaciones importantes para la seguridad.....	4
1.2 Seguridad de los niños.....	4
2 REQUISITOS TÉCNICOS	5
2.1 Características del frigorífico y requisitos de instalación.....	5
2.2 Requisitos del hueco de instalación del frigorífico: serie Integrated.....	6
2.3 Requisitos del hueco de instalación del frigorífico: serie Integrated de acero inoxidable.....	7
3 OPERACIONES PREVIAS A LA INSTALACIÓN	8
3.1 Transporte hasta el lugar de instalación y desembalaje.....	8
3.2 Conexión hidráulica y conexión eléctrica.....	8
3.3 Nivelación.....	9
4 MONTAJE DE LOS PANELES	10
4.1 Disposición de los paneles de revestimiento de la puerta y del cajón inferior	10
4.2 Disposición de los estribos de montaje de los paneles de revestimiento.....	11
4.3 Dimensiones de los paneles.....	11
4.4 Montaje de los paneles en la puerta y en el cajón de los frigoríficos Integrated.....	13
5 INSTALACIÓN	15
5.1 Instalación empotrada de un frigorífico sencillo.....	15
5.2 Instalación empotrada de dos o más frigoríficos.....	16
6 FINALIZACIÓN DE LA INSTALACIÓN	18
6.1 Montaje de la seguridad antivuelco.....	18
6.2 Ventilación.....	19
6.3 Comprobaciones posteriores a la instalación.....	20
6.4 Puesta en marcha.....	20


1. INSTRUCCIONES IMPORTANTES

1.1 Indicaciones importantes para la seguridad

Símbolos utilizados en esta guía:

 **Nota**
Recomendaciones para un uso correcto del frigorífico

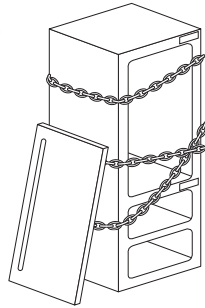
 **Importante**
Indicaciones para no dañar el frigorífico


 **Atención**
Indicaciones para evitar accidentes

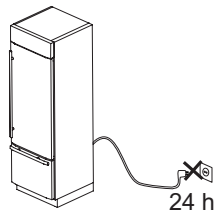
1.2 Seguridad de los niños

PELIGRO: Riesgo de atrapamiento de los niños. Antes de eliminar su viejo frigorífico o congelador:

- Retire las puertas
- Deje los estantes en su sitio para que los niños no se puedan introducir dentro del frigorífico.



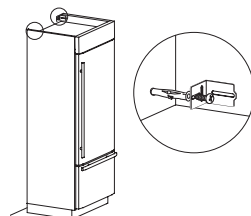
 **¡Atención!**
Este frigorífico se tiene que transportar en posición vertical. En caso contrario, antes de encenderlo se debe dejar 24 horas en posición vertical.



Para evitar daños personales o materiales, tenga mucho cuidado cuando manipule el frigorífico.



Fije la parte superior del frigorífico a la pared con las dos escuadras que se suministran con el aparato.



Descripción	Integrated
Frigorífico	✓
Elementos de fijación, estribos, tornillos y llave para montar los paneles exteriores	✓
Perfiles de aluminio para llenar el espacio entre el frigorífico y los muebles	✓
Kit para el propietario (dentro del frigorífico)	✓

Descripción	Maker - Modelos con máquina de hielo (Ice Maker)
Tubo flexible de conexión a la red de suministro de agua (solo en los modelos con Ice Maker)	✓
Filtro del agua (solo en los modelos con Ice Maker)	✓
Pies de nivelación	✓
Escuadras antivuelco con tacos y tornillos	✓
Kit para la limpieza del frigorífico	✓
Manual de uso, guía de instalación, certificado de garantía	✓

Lea detenidamente el manual de uso y la guía de instalación y guarde los documentos en un lugar seguro.

2. REQUISITOS TÉCNICOS

ES

2.1 Características del frigorífico y requisitos de instalación

Dimensiones del frigorífico Integrated	L: 29 15/16" (761 mm) / H: 83 1/2" (2120 mm) / P: 24" (610 mm) L: 35 15/16" (913 mm) / H: 83 1/2" (2120 mm) / P: 24" (610 mm)
Dimensiones del frigorífico Integrated de acero inoxidable	L: 29 15/16" (761 mm) / H: 83 1/2" (2120 mm) / P: 24 3/16" (615 mm) L: 35 15/16" (913 mm) / H: 83 1/2" (2120 mm) / P: 24 3/16" (615 mm)
Dimensiones del frigorífico con el embalaje	Serie 75 L : 31 1/2" (800 mm) / H : 89" (2260 mm) / P : 31 1/2" (800 mm) Serie 90 L : 37 3/8" (950 mm) / H : 89" (2260 mm) / P : 31 1/2" (800 mm)
Peso con el embalaje	Serie 75 hasta 606 lb (275 kg) Serie 90 hasta 650 lb (295 kg)
Tensión	115V, 60Hz
Cable de alimentación	3A
Presión de alimentación del agua potable	8 PSI - 75 PSI
Conexión a la red de suministro de agua	Racor 1/4"
Accesorios de instalación suministrados	<ul style="list-style-type: none">■ Kit de montaje de los paneles personalizados■ Kit antivuelco■ Kit de conexión lateral■ Llave Allen de 1/8" (4 mm)
Otras herramientas necesarias	<ul style="list-style-type: none">■ Destornillador de estrella■ Taladro de impacto■ Broca de 1/8" (2.5 mm) para madera■ Broca de 3/8" (8 mm) para pared■ Llave de 3/4" (17 mm)
Ajuste en altura de las ruedas traseras	Llave de vaso de 1/2" (13 mm)



Nota

No todos los modelos están provistos de dispositivo automático para producir cubitos de hielo (Ice Maker). Para saber si es necesario realizar la conexión a la red de suministro de agua, compruebe si el modelo dispone de Ice Maker.

2. REQUISITOS TÉCNICOS

2.2 Características del hueco de instalación del frigorífico: Serie Integrated

A- espacio libre para las escuadras antivuelco

Altura del hueco

83 7/8" (2130 mm)

Anchura del hueco

36" (914 mm)

30" (762 mm)

Espacio de apertura de la puerta

58 7/16" (1484 mm)

52 1/2" (1333 mm)

Ángulo de apertura de la puerta

105°

Anchura

35 15/16" (913 mm)

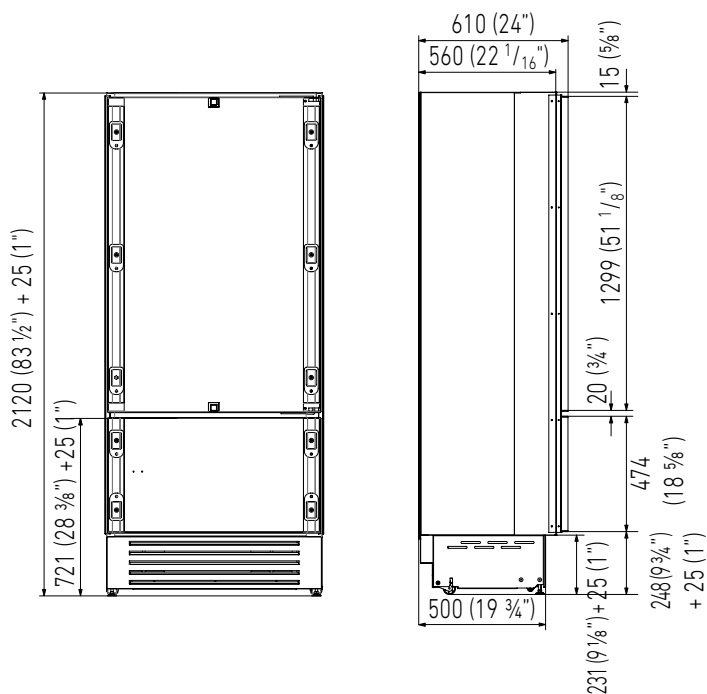
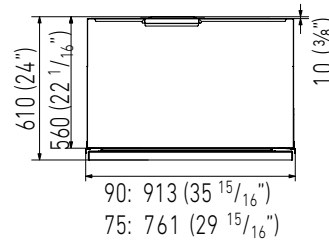
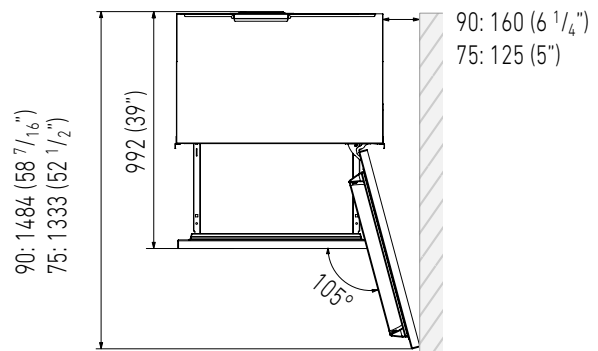
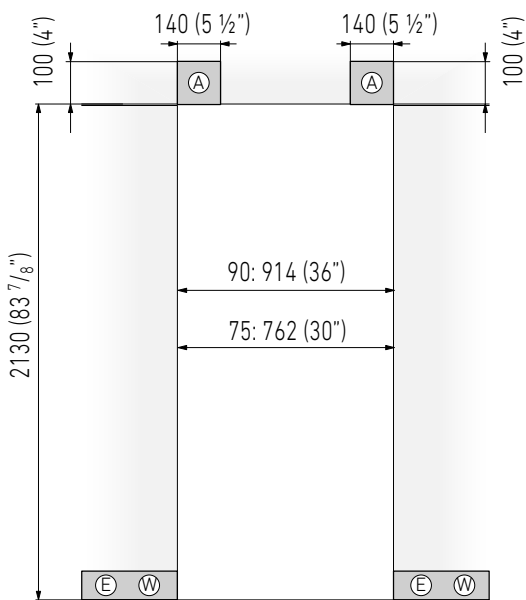
29 15/16" (761 mm)

Altura

83 1/2" (2120 mm) + 1" (25 mm)

Profundidad con puerta (sin panel)

24" (610 mm)



2.3 Requisitos del hueco de instalación del frigorífico: Serie Integrated de acero inoxidable

A- espacio libre para las escuadras antivuelco

Altura del hueco
2130 mm (83 7/8")

Anchura del hueco
36" (914 mm)
30" (762 mm)

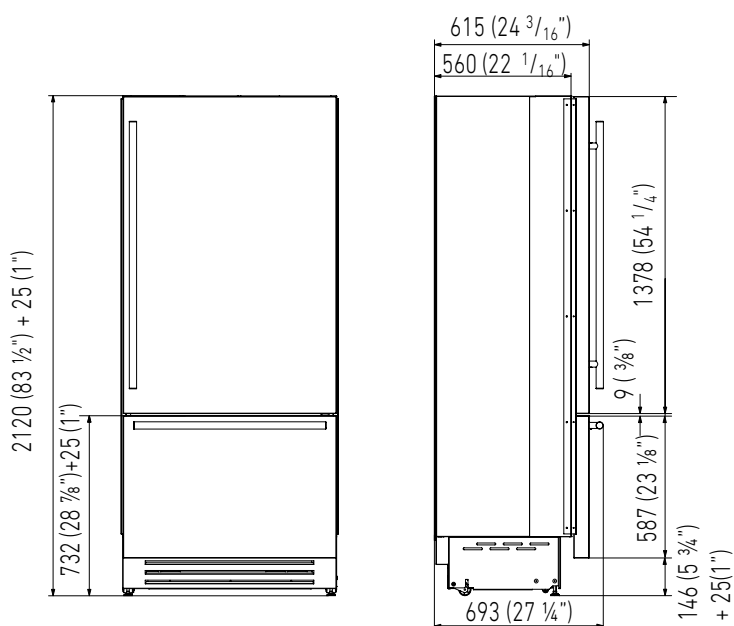
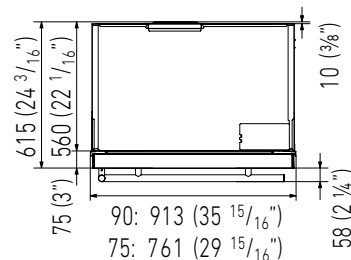
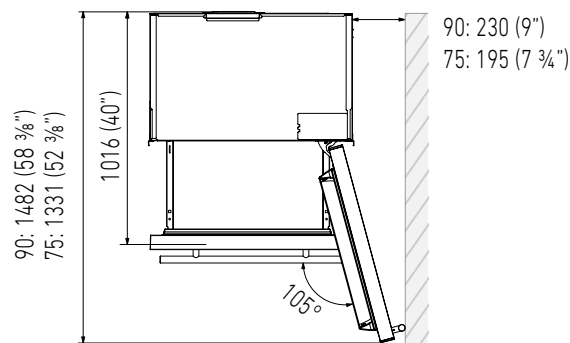
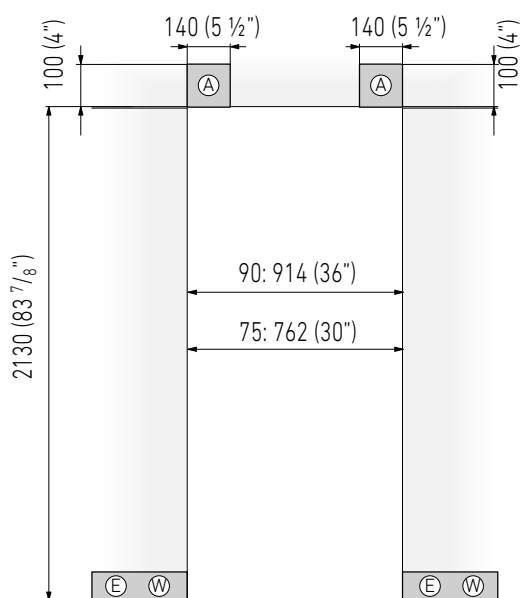
Espacio de apertura de la puerta
58 3/8" (1482 mm)
52 3/8" (1331 mm)

Ángulo de apertura de la puerta
105°

Anchura
35 15/16" (913 mm)
29 15/16" (761 mm)

Altura
83 1/2" (2120 mm) + 1" (25 mm)

Profundidad con puerta (sin panel)
24 3/16" (615 mm)



3. OPERACIONES PREVIAS A LA INSTALACIÓN

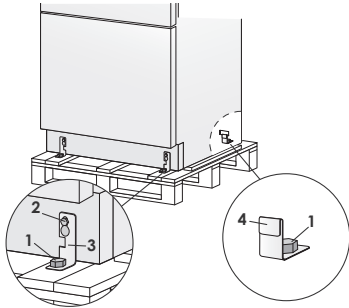
3.1 Transporte hasta el lugar de instalación y desembalaje



El frigorífico es pesado. Tenga sumo cuidado cuando lo manipule para evitar lesiones.



Este frigorífico se tiene que transportar siempre en posición vertical. El aparato no se tiene que apoyar sobre el lado frontal.



Dado que es un frigorífico grande y de peso elevado, antes de transportarlo es necesario comprobar cómo se puede acceder al lugar de instalación (medidas de las puertas, espacio de maniobra en las escaleras, etc.). El frigorífico está fijado a la base del embalaje (palé) con cuatro pernos que se pueden extraer con una llave de 3/4" (19 mm). Se recomienda llevar el frigorífico hasta el lugar de instalación utilizando una carretilla manual y, solo entonces, retirar la base del embalaje. Este frigorífico se tiene que transportar siempre en posición vertical. Si esto no fuera posible, transporte el aparato apoyado en el lado trasero. Una vez que se ha llegado al lugar de instalación, saque el frigorífico del palé y colóquelo en el punto elegido moviéndolo con las cuatro ruedas.

Proceda del modo siguiente:

> Quite los cuatro pernos [1] que fijan el frigorífico al palé con una llave o una llave de vaso de 3/4" (19 mm).

> Retire los estribos de fijación [3] y [4].

> Para retirar el estribo de fijación delantero [3], destornille una o dos vueltas el tornillo de ajuste de las ruedas traseras [2] con una llave de vaso de 1/2" (13 mm). No fuerce la tuerca para no dañar el sistema de ajuste de los pies de nivelación.

> Por la parte trasera del frigorífico y utilizando una carretilla manual adecuada para soportar el peso del mismo, quite el aparato del palé y deposítelo en el suelo. Compruebe que en el pavimento no haya suciedad que pueda quedar atrapada en las ruedas y dañar el pavimento cuando se desplaza el frigorífico.

Tenga sumo cuidado para no dañar el pavimento. Los pavimentos delicados se deben proteger con paneles de madera contrachapada, cartón u otro material similar.

3.2 Conexión hidráulica y conexión eléctrica




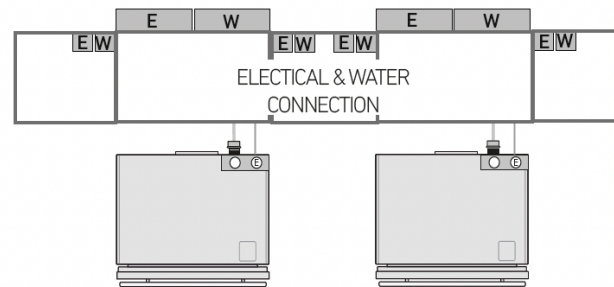
El filtro incorporado no puede garantizar la potabilidad de agua que no sea apta para el consumo humano.



El frigorífico se tiene que conectar a una red de suministro de agua potable.



No utilice cables de extensión ni adaptadores. Si fuera necesario cerrar el suministro de agua cuando el frigorífico ya está instalado, conectado al suministro de agua (si procede) y en funcionamiento, primero pulse la tecla  del panel de control y luego cierre la llave de paso general del agua; de este modo se evita que el frigorífico entre en estado de alarma por «NO WATER IN» (NO HAY AGUA).



Los frigoríficos se entregan de fábrica configurados para funcionar a 115V, 60Hz.

No conecte el frigorífico a una toma con interruptor diferencial.

El frigorífico dispone de un cable con clavija para conectar a una toma de 15A con conexión de puesta a tierra.

También se debe instalar un interruptor, de fácil acceso, para apagar el aparato antes de realizar cualquier tarea de instalación o mantenimiento.

Para la conexión con la red de suministro de agua de los frigoríficos provistos de Ice Maker es necesario instalar, en un punto de fácil acceso, un tubo de 1/4" con válvula de seccionamiento.

El frigorífico está provisto de un adaptador de codo apto para agua a alta presión y conforme con las normativas en materia alimentaria. El cartucho del filtro de agua, que se suministra con el frigorífico, se tiene que instalar como se indica en las instrucciones adjuntas. Utilice exclusivamente el adaptador que se entrega con el frigorífico. La conexión del frigorífico, provista de electroválvula, tiene un diámetro de 1/4" pero con rosca métrica. Los racores roscados de las típicas mangueras de jardín o de los tubos flexibles con trenzado de acero inoxidable que encontramos en las ferreterías pueden rayar o dañar el roscado de la conexión. Para conectar el frigorífico a la red de suministro de agua, utilice exclusivamente el adaptador de codo suministrado (de 1/4" y de empalme rápido), que se deberá conectar a un tubo de 1/4" de cobre o

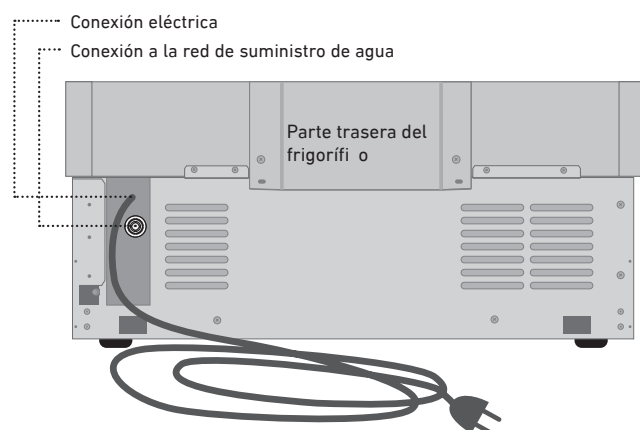
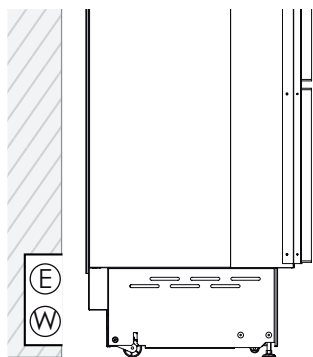
polietileno.

Longitud del cable eléctrico: 98 3/8" (2500 mm)

Longitud del tubo de agua: 98 3/8" (2500 mm)

No utilice cables alargadores ni adaptadores para conectar el aparato a la red eléctrica.

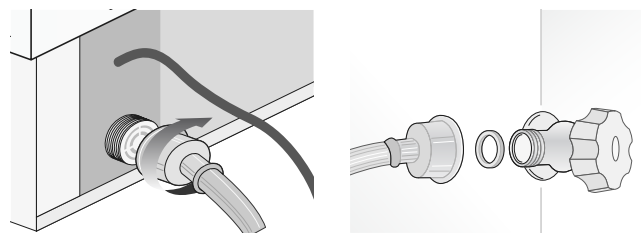
CONEXIÓN ELÉCTRICA Y CONEXIÓN HIDRÁULICA EN LA PARTE TRASERA DE LA SERIE INTEGRATED



Proceda del modo siguiente:

- > Desenrolle el cable eléctrico y conéctelo directamente a la toma de la pared.
- > Compruebe que el frigorífico esté en stand by y que todas las luces estén apagadas; si no fuera así, pulse la tecla Unit (Unidad) para apagar el frigorífico.
- > Inserte el tubo de alimentación del agua de 1/4" en el conector de codo y enrosque el adaptador de codo en la electroválvula situada en la parte trasera del frigorífico. Apriete fuertemente a mano; para un apriete correcto no se necesitan herramientas ni llaves especiales.

Abra la llave de paso del agua y, antes de empujar el frigorífico dentro del hueco, compruebe que no haya fugas en los racores.



3.3 Nivelación

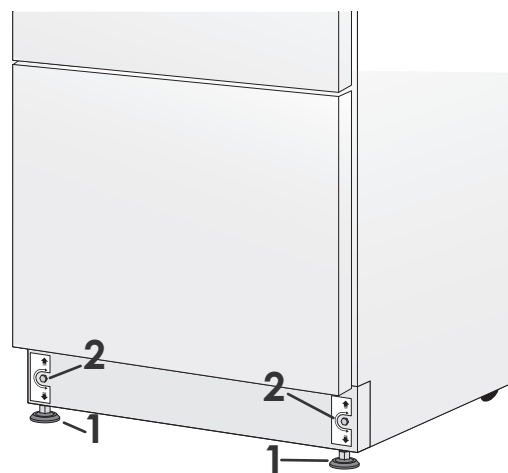
Compruebe que el frigorífico esté bien nivelado ajustando los pies frontales y las ruedas traseras.

Proceda del modo siguiente:

> Por lo general, el frigorífico se entrega con la rejilla fijada en la parte trasera con cinta adhesiva. Si la rejilla ya estuviera colocada, retírela (se mantiene en su posición mediante imanes) y ajuste la altura de los pies de nivelación [1] con una llave de 17 mm (3/4").

> A continuación, ajuste la altura de las ruedas traseras girando los tornillos de reglaje delanteros en sentido horario o en sentido antihorario [2] (para esta operación, no utilice destornilladores eléctricos con un par alto porque podrían dañar el mecanismo de nivelación).

> Vuelva a montar la rejilla de ventilación inferior solo después de haber nivelado el frigorífico.



4. MONTAJE DE LOS PANELES

4.1 Disposición de los paneles de revestimiento de la puerta y del cajón inferior

Las medidas de los paneles se indican en la tabla y en los dibujos de la página 13.

No obstante, en función de las necesidades de alineación con otros elementos de la cocina, el panel de la puerta puede ser más alto que el borde superior de la puerta del frigorífico, y el panel del cajón puede ser más bajo que el borde inferior del cajón.

Los paneles se deben montar utilizando los tirantes especiales que se enganchan en los dispositivos ajustables de la puerta y del cajón, y los estribos de anclaje y ajuste vertical de los paneles.

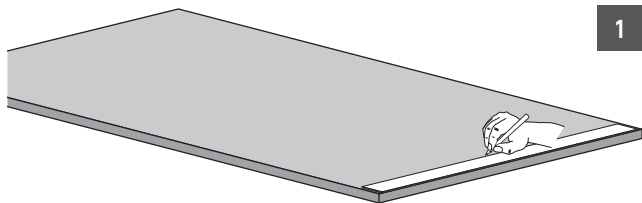
Los tirantes, los estribos y los tornillos de fijación se suministran con el frigorífico y se tienen que aplicar en los paneles como se indica a continuación.

Proceda del modo siguiente:

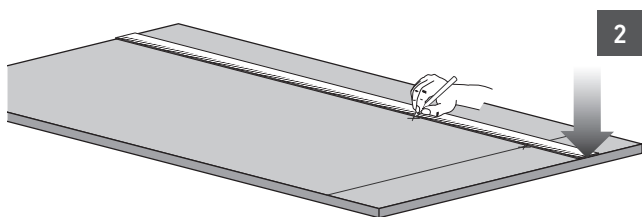
Antes de montar los paneles en el frigorífico, realice las operaciones siguientes en la parte trasera de los paneles.

Panel de la puerta

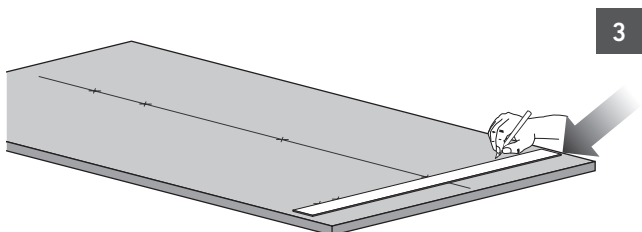
> Trace una línea central de referencia que divida el panel verticalmente en dos mitades iguales [1].



> Empezando por el borde inferior del panel, marque la posición de los estribos [2].

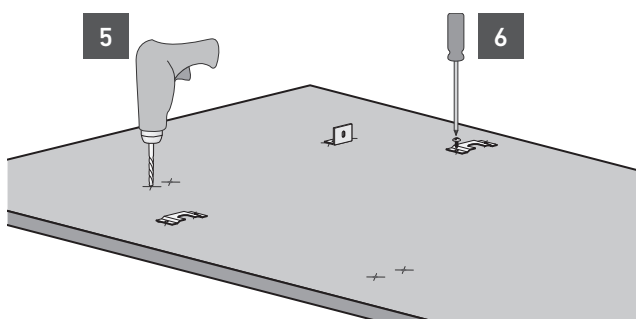
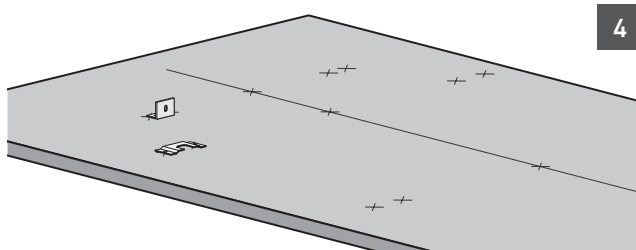


> Siguiendo la tabla correspondiente, marque antes el orificio exterior y después el interior [3].



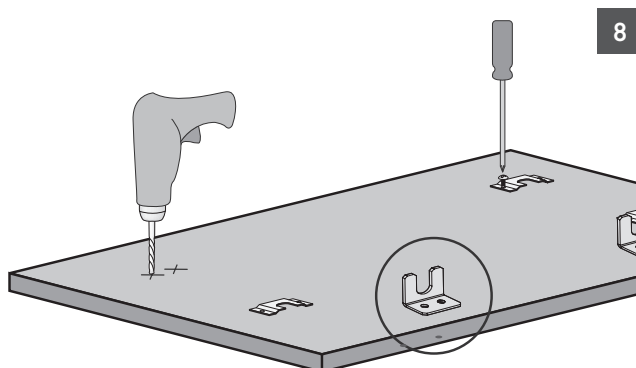
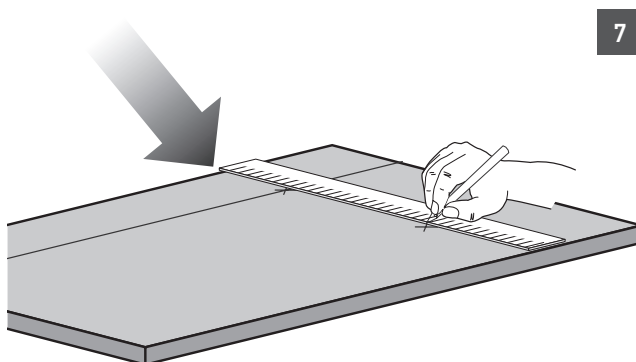
> Coloque los estribos en las marcas realizadas para comprobar que estén alineados [4]. Si se desea, se pueden realizar orificios de prueba, prestando atención a no traspasar el panel [5]

> Atornille los estribos en su posición [6].

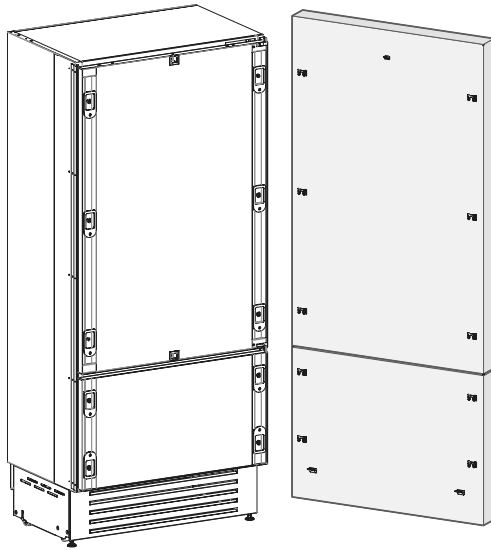


Panel del cajón

> Para preparar el panel del cajón, siga las mismas instrucciones de montaje del panel de la puerta, pero tome las medidas empezando por el borde superior [7]. El estribo de soporte debe estar dirigido hacia el lado opuesto [8] (ver las fig. 4 y 8).



4.2 Disposición de los estribos de montaje de los paneles de revestimiento

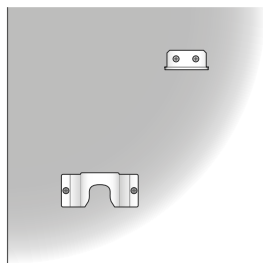


	SERIE 90	SERIE 75
A	35 3/4" (908)	29 3/4" (756)
B	16 1/2" (418)	13 1/2" (343)
C	14" (354.5)	11" (279.5)

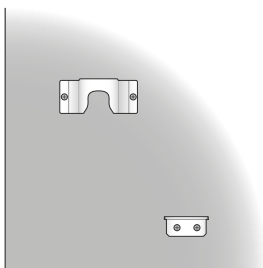


Nota

Todas las medidas relativas a la colocación de los estribos laterales se entienden desde la línea central hasta el orificio exterior del estribo.

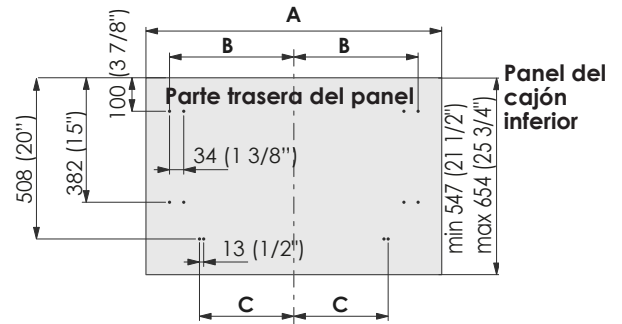
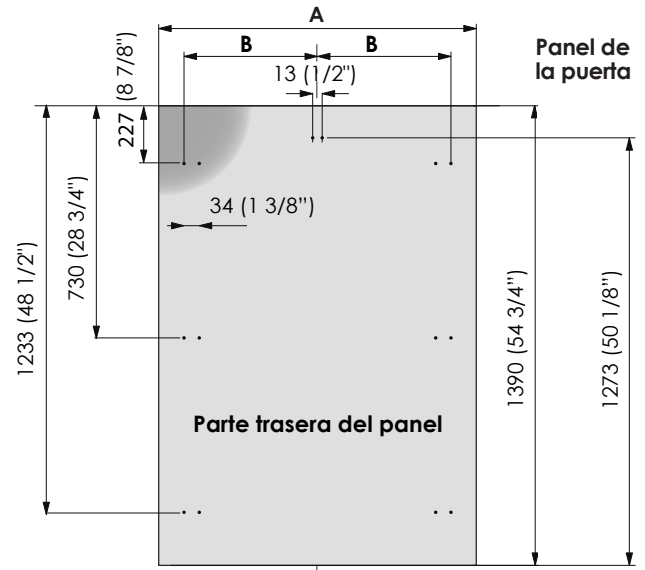


Estribo de ajuste vertical de la puerta superior. Tome nota de la orientación.



Estribo de ajuste vertical del cajón inferior. Tome nota de la orientación.

Posición de los orificio



4.3 Dimensiones de los paneles

Los paneles pueden tener un espesor de entre 3/4" (18 mm) y 1 1/8" (28 mm).

El panel de la puerta puede tener un peso de hasta 51 lbs (23 kg) y el panel del cajón un peso de 25 lbs (11kg). Superar estos pesos puede comportar la anulación de la garantía por intervenciones de reparación derivadas de un peso excesivo de los paneles.

El mecanismo de bisagras de los frigoríficos se considera de «juego cero». Las anchuras de la puerta y del cajón que se especifican a continuación se refieren a un hueco de anchura mínima, con un espacio alrededor de los paneles de 1/8" (3.2m). Ajuste las dimensiones de los paneles según sus propios criterios de diseño, considerando la anchura del hueco y el espacio circundante.

SERIE	ANCHURA PUERTA/CAJÓN	ANCHURA DEL HUECO
90	35 3/4" (908)	36" (914)
75	29 3/4" (756)	30" (762)

4. MONTAJE DE LOS PANELES

4.3 Dimensiones de los paneles

Ejemplo:

Altura del hueco: 83 7/8"

Anchura del hueco: 36"

Altura del zócalo: 4"

Espacio circundante deseado:
1/8"

Panel de la puerta:

Anchura: 35 3/4"

Altura: 54 3/4"

Panel del cajón:

Anchura: 35 3/4"

Altura: $83 \frac{7}{8} - 1/8 - 54 \frac{3}{4} - 1/8 - 4 = 24 \frac{7}{8}$ "

Si se desea un zócalo de 6" de altura, la altura del panel del cajón inferior deberá ser de 22 7/8".

La fórmula anterior permite obtener el panel del cajón del congelador al ras con el rodapié. Es posible extender el panel del cajón del congelador 13/16" para cubrir más el zócalo.



4.4 Montaje de los paneles en la puerta y en el cajón de los frigoríficos Integrated

Atornille parcialmente (unas 3 vueltas) 1 tornillo de sujeción y 1 tornillo de reglaje de la profundidad, a ras con la junta de espuma de cada hueco de montaje. Después de haber montado todos los estribos y las escuadras en el panel, ya se puede fijar el panel al cajón inferior.

Proceda del modo siguiente:

> Atornille parcialmente los tornillos de reglaje con sus arandelas en los dos orificios situados en la parte inferior del cajón [1].

> Compruebe que los estribos en «L» estén alineados con los tornillos de reglaje en el fondo; seguidamente, coloque el panel contra el cajón con los estribos de sujeción colocados encima de los tornillos de sujeción y deje bajar el panel. Compruebe que todos los estribos de sujeción estén introducidos perfectamente en los tornillos de sujeción [2].

> Ahora es posible alinear la altura de los paneles con respecto a los muebles contiguos por medio de los estribos inferiores de alineación [3], apretando o aflojando los tornillos según proceda. Con los tornillos de sujeción apretados ligeramente, mueva el panel lateralmente para alinearlo con el otro panel del frigorífico o con los muebles contiguos.

Golpear ligeramente el panel con un mazo de goma ayuda a ajustar la alineación X del panel.

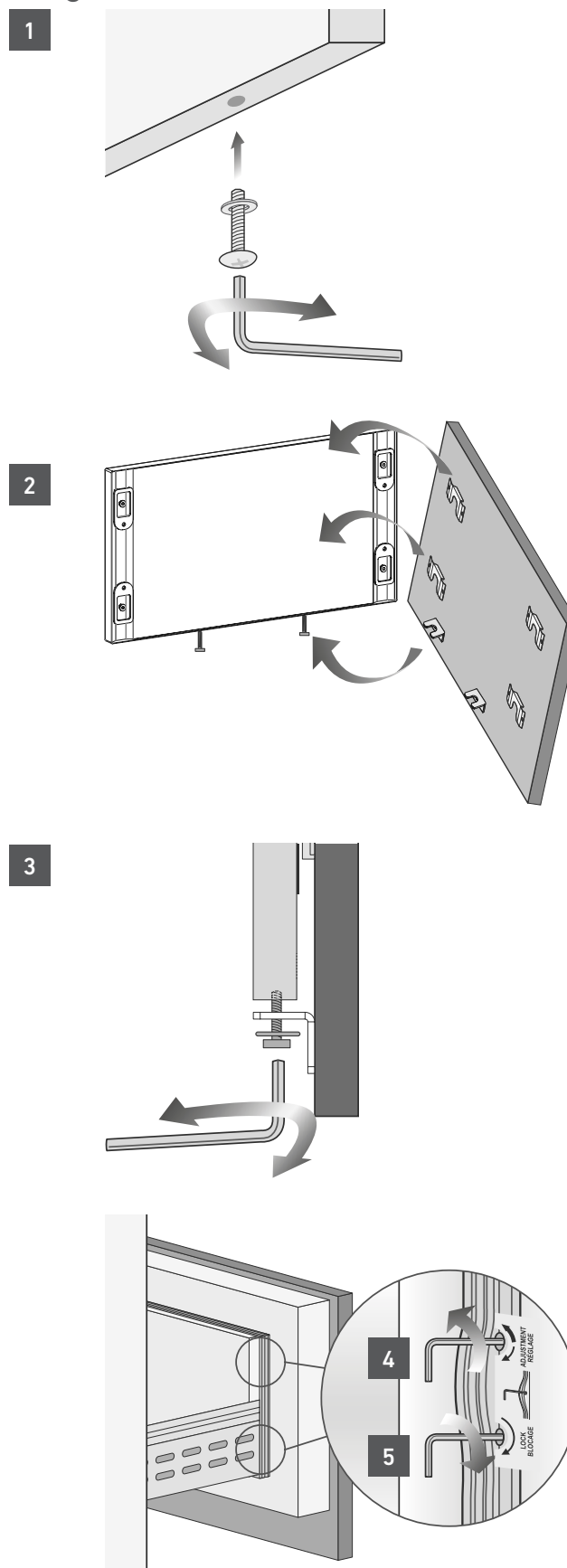
> Alineación de la profundidad: después de levantar el sello magnético y desde el interior del cajón, ajuste la posición del panel para acercarlo o alejarlo respecto a la puerta a través de los orificios [4] para luego bloquearlo utilizando los orificios [5].

Girando en la dirección que indica la flecha gruesa, el panel se acerca a la superficie de la puerta o del cajón, mientras que girando en la dirección que indica la flecha fina, el panel se aleja de la superficie de la puerta o del cajón.



Una vez ajustado el panel frontal, vuelva a colocar correctamente el sello para permitir el cierre correcto de la puerta o del cajón y evitar un mal funcionamiento del frigorífico.

4.4 Montaje de los paneles en la puerta y en el cajón de los frigoríficos Integrated



4. MONTAJE DE LOS PANELES

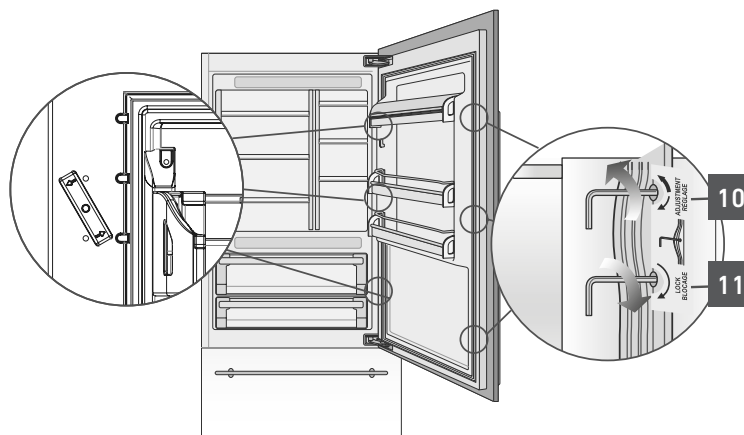
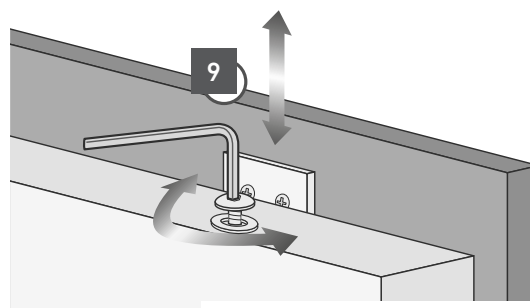
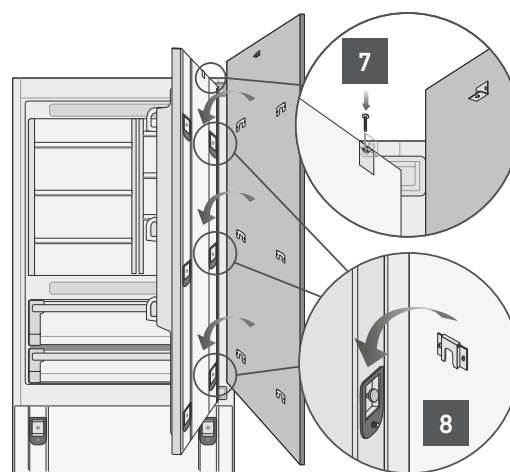
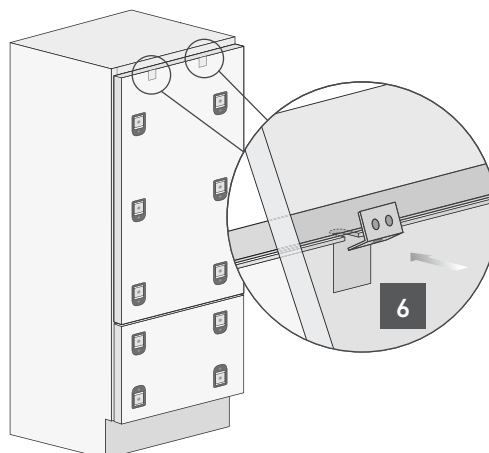
4.4 Montaje de los paneles en la puerta y en el cajón de los frigoríficos Integrated

Proceda del modo siguiente:

- > Compruebe que los estribos de ajuste en «L» estén alineados e insertados en los huecos presentes en la parte superior de la puerta [6].
- > Ahora es posible ajustar la alineación entre el panel y los muebles contiguos utilizando los estribos y las escuadras de alineación [7] y [8].
- > Alineación vertical: apriete o afloje el tornillo en los estribos para subir o bajar el panel [9].
- > Alineación de la profundidad: después de levantar el sello magnético y desde el interior de la puerta, ajuste la posición del panel para acercarlo o alejarlo respecto a la puerta a través de los orificios [10] para luego bloquearlo utilizando los orificios [11].



Una vez ajustado el panel frontal, vuelva a colocar correctamente el sello para permitir el cierre correcto de la puerta o del cajón y evitar un mal funcionamiento del frigorífico.



5.1 Instalación empotrada de un frigorífico sencillo



Una vez ajustado el panel frontal, compruebe que el sello esté colocado correctamente para permitir el cierre correcto de la puerta o del cajón y evitar un mal funcionamiento del frigorífico.

En las instalaciones empotradas, para cubrir el espacio que queda entre el frigorífico y los muebles contiguos se entregan perfiles laterales especiales (ya instalados) y embellecedores de los perfiles (sujetados con cinta adhesiva en la parte trasera del frigorífico). Los perfiles laterales sirven para fijar el frigorífico en el hueco. Se pueden añadir espesores por el lado del frigorífico para cubrir toda la anchura del hueco (haga algunas pruebas quitando los tornillos que fijan el perfil en el lado del frigorífico, por ejemplo colocando unas arandelas entre el perfil y el frigorífico y volviendo a colocar los tornillos).

Proceda del modo siguiente:

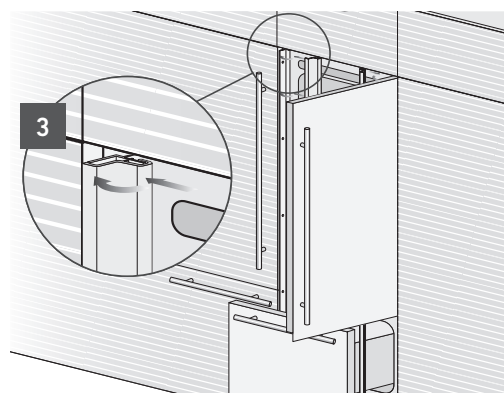
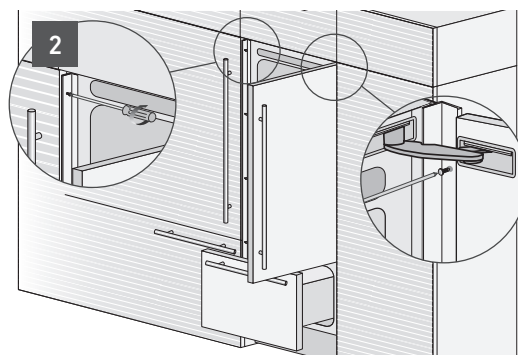
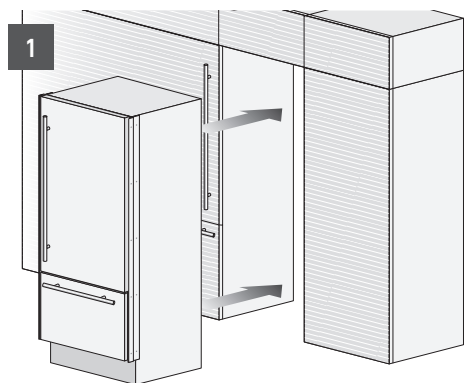
- > Empuje el frigorífico en el hueco de instalación [1].
- > Si el frigorífico se tiene que instalar en un hueco o en una estructura cerrada, no es necesario dejar un espacio de ventilación detrás del hueco, dado que los modelos europeos disponen de una cubierta superior que garantiza una ventilación suficiente, incluso detrás del panel de revestimiento. Antes de empujar el frigorífico hasta el fondo del hueco, compruebe que los paneles estén montados (serie BI), dado que el procedimiento de montaje de los paneles requiere más espacio libre en altura que el espacio que ofrece el hueco. Si, por cualquier motivo, fuera necesario retirar la cubierta superior de ventilación, deje un espacio de al menos 5 mm en correspondencia con

la parte superior/posterior del mueble para la salida del aire caliente.

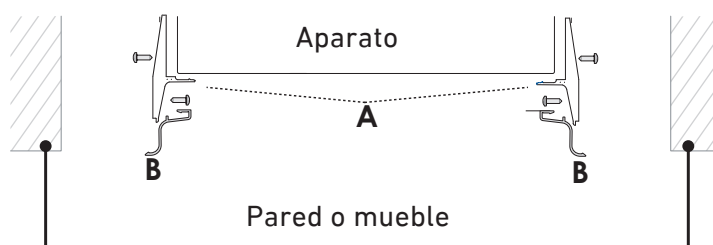
- > Compruebe que el frigorífico esté alineado por medio de los pies y las ruedas.

- > Utilizando los tornillos suministrados, fije el frigorífico a los muebles contiguos a través de los orificios de los perfiles laterales [2]. Para facilitar esta operación, mantenga la puerta y el cajón abiertos. Para acceder con facilidad con un destornillador al perfil situado en el lado de la bisagra, podría ser necesario mantener la puerta abierta a unos 70 grados.

- > Instale los embellecedores de perfiles: alinéelos con la parte frontal del frigorífico y con la parte superior del hueco, y deslícelos lateralmente sobre los perfiles. Bloquee los embellecedores de perfiles en su posición hasta oír un clic; para ello, presione con fuerza o utilice un taco de madera y una maza. Tenga cuidado de no dañar los perfiles. Antes de montar los embellecedores de perfiles, compruebe que el frigorífico esté instalado correctamente, dado que es difícil retirarlos sin dañarlos [3].



MONTAJE DE LOS PERFILES LATERALES




A soportes de unión de plástico

B Tapa de perfil

5. INSTALACIÓN

5.2 Instalación empotrada de dos o más aparatos

> Los accesorios necesarios se tienen que pedir por separado: Kit de conexión central

 Se proporcionan perfiles laterales y marcos de cobertura de plástico especiales para cerrar los espacios entre el aparato y los muebles adyacentes.

Proceder como sigue:

> Colocar los aparatos delante del área de instalación, dejando suficiente espacio para poder actuar en su parte trasera [1].

IMPORTANTE: los aparatos deben estar nivelados entre sí.

1 - Unir ambos aparatos entre sí en la parte delantera usando las 5 escuadras de plástico de color blanco para mantener juntos los aparatos.

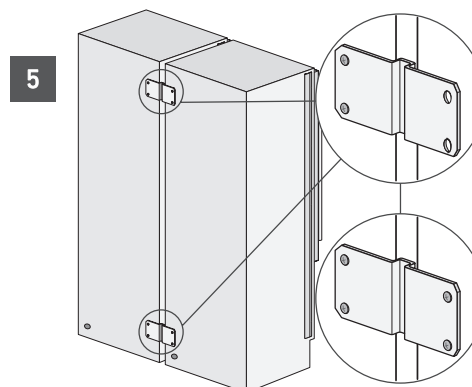
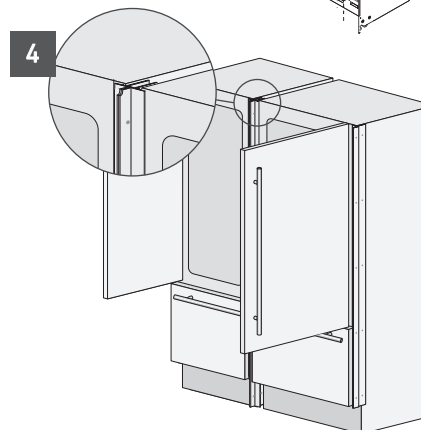
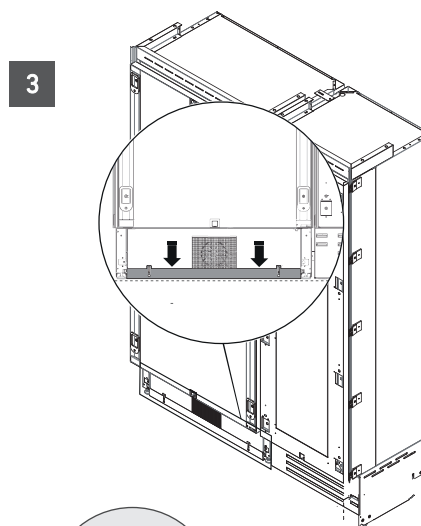
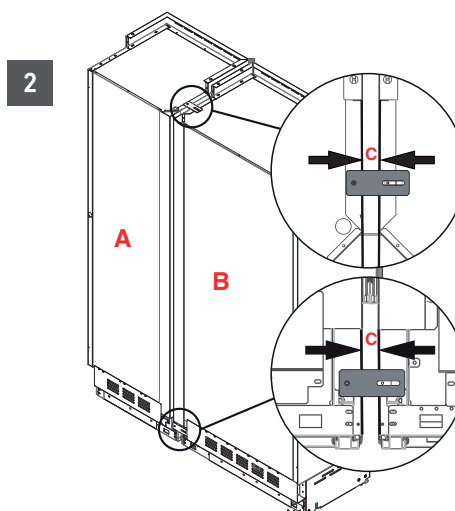
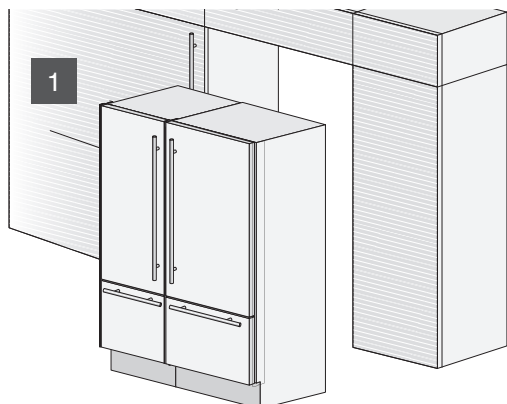
2 - Ajustar las unidades en la parte trasera, de modo que los paneles laterales estén perfectamente paralelos entre sí. Hay unas marcas visuales que ayudan en la alineación.

3 - El espacio (C) entre los aparatos debe ser el mismo en la parte posterior y superior. Medir el espacio en todos los bordes y ajustar si no es igual [2].

4 - Cuando el espacio es parejo en todos los bordes, fijar las escuadras. Si el espacio entre los aparatos no es parejo, las puertas no se alinearán correctamente.

Las medidas del espacio varían según los tipos de aparato instalados. Consúltense la tabla siguiente para conocer las medidas correctas del espacio.

Distancia entre los aparatos (A+B)					
C	A				
	18"	24"	30"	36"	
B	18"	7/8" (22 mm)	15/16" (23,5 mm)	1" (24,5 mm)	1" (25,5 mm)
	24"	15/16" (23,5 mm)	1" (25 mm)	1" (26 mm)	1 1/16" (27 mm)
	30"	1" (24,5 mm)	1" (26 mm)	1 1/16" (27 mm)	1 1/8" (28 mm)
	36"	1" (25,5 mm)	1 1/16" (27 mm)	1 1/8" (28 mm)	1 1/8" (29 mm)



Una vez que los aparatos se hayan ajustado y nivelado correctamente, aflojar los dos tornillos que mantienen en posición la placa de sellado. Bajar la placa hasta que quede al ras del suelo, y volver a apretar los tornillos. Esto asegurará un flujo de aire optimizado a través del condensador, flujo de aire necesario para contar con un funcionamiento adecuado **[3]**.

> A continuación, unirlos en la parte delantera fijando las escuadras de unión de plástico con los tornillos suministrados **[4]**. Fijar la escuadra encima de los aparatos (si procede) con arreglo a la figura **[5]**.

> Terminar montando la tapa del perfil central sobre los perfiles centrales, empujándola hasta que se oiga un "clic" **[6]**.

> Una vez completado, empujar los aparatos a su posición final **[7]**.

Siempre se deben montar los paneles frontales en la puerta antes de empujar el aparato a su posición final dentro del hueco o de la estructura.

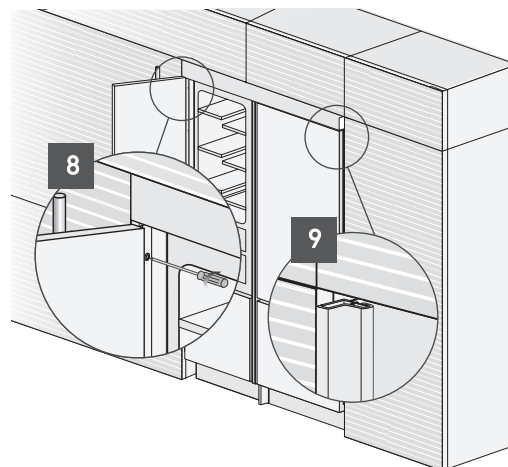
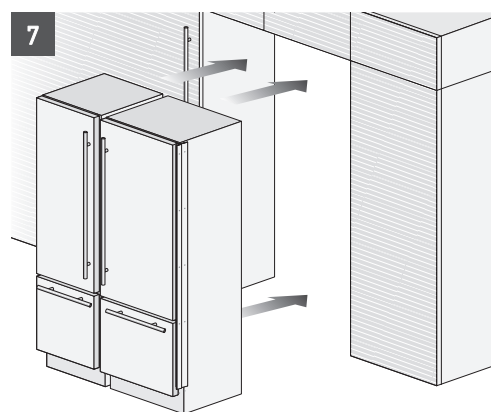
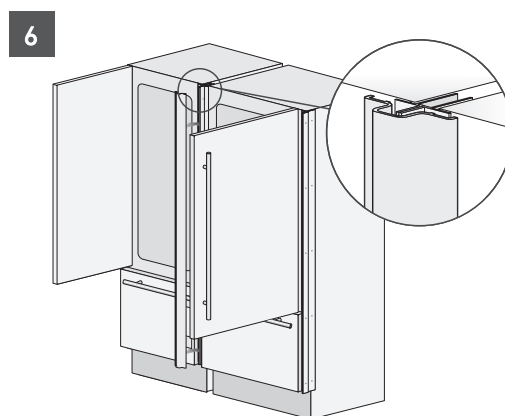
> Revisar la nivelación del aparato, ajustando sus patas y ruedas para corregirla.

> Asegurar el aparato a los muebles adyacentes fijando a éstos los perfiles laterales instalados de fábrica en el aparato **[8]**. Para facilitar esta operación, mantener abierta la puerta.

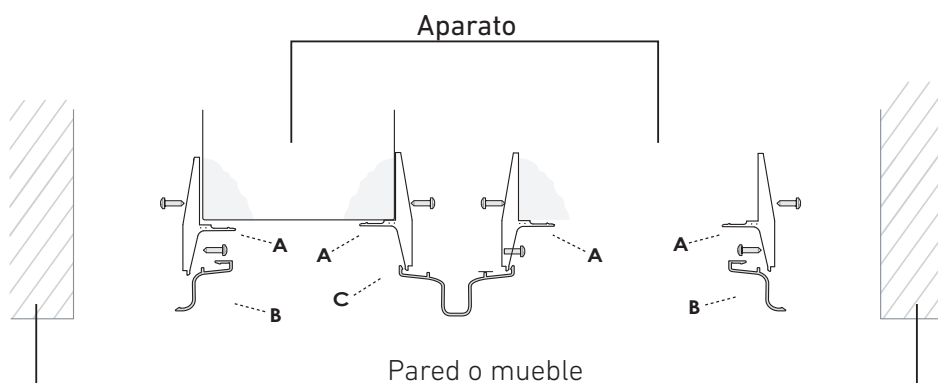
> Montar las tapas en los perfiles, primero insertarlas lateralmente y luego empujar firmemente hasta que se oiga un "clic" **[9]**.



Prestar atención, ya que los aparatos serán pesados en la parte delantera y pueden volcarse antes de fijarlos a los muebles adyacentes.



Montaje de los perfiles laterales y centrales:



- A** - Escuadras de unión de plástico
- B** - Tapa de perfil (lateral)
- C** - Tapa de perfil (central).

6. FINALIZACIÓN DE LA INSTALACIÓN

6.1 Montaje de la seguridad antivuelco

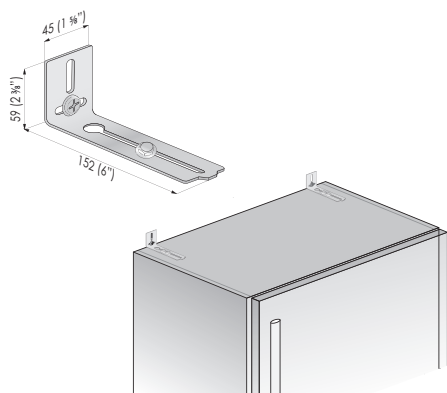


Si el o los aparatos no se unen mediante los perfiles laterales a los muebles asegurados, se deben instalar las escuadras antivuelco para garantizar que el aparato no caiga hacia delante al utilizarlo y cause daños o lesiones. El hecho de no fijar los aparatos de forma segura anulará cualquier reclamación de garantía atribuible a una situación de vuelco.

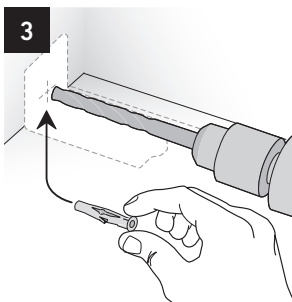
Proceder como sigue:

> Las escuadras se deben montar como se muestra, utilizando los tornillos suministrados. Si se utilizan las escuadras antivuelco, se debe amarrar a un bloque de madera o de hormigón - un simple panel de yeso no soportará el peso del aparato. Colocar una escuadra en la parte superior del aparato, coincidiendo con los agujeros de fijación y contra la pared [1].

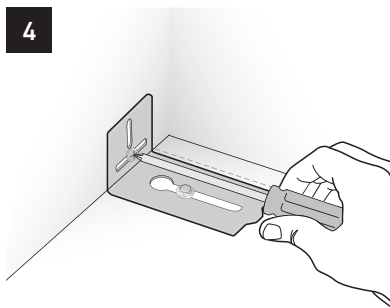
1



> Taladrar la pared con una broca de 3/8" (8 mm) y poner el taco de expansión [3].



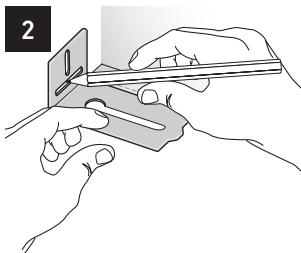
> Reposicionar la escuadra y fijarla prime o al armario y luego a la pared [4].



Para utilizar las escuadras antivuelco en los modelos con el compresor arriba, será necesario retirar temporalmente la parte superior, el plafón/panel metálico superior para acceder a los puntos de atornillado de las escuadras.

> Marcar la posición de los agujeros en la pared [2].

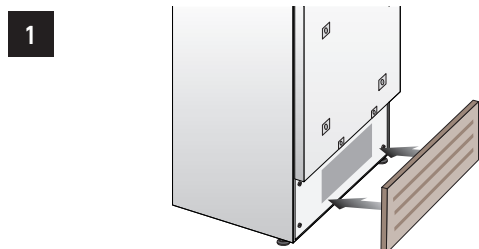
2



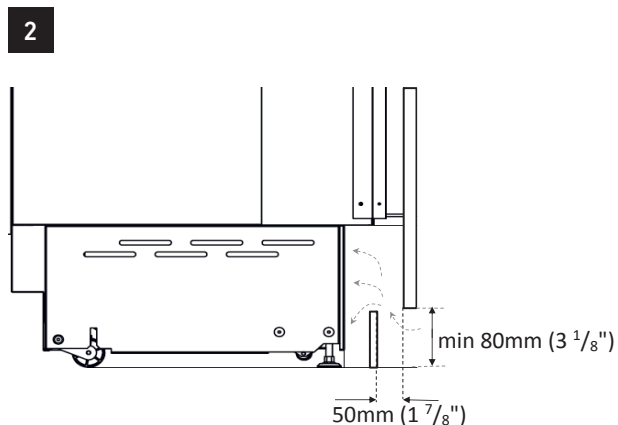
6.2 Ventilación

MODELOS INTEGRABLES Y CON PUERTA

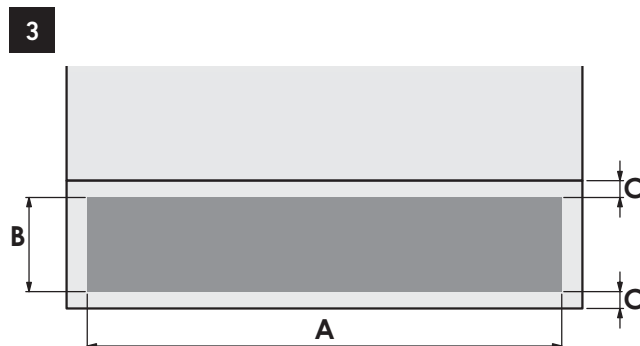
Un sistema de aire forzado asegura la ventilación a través de una rejilla, asegurada al aparato por medio de placas magnéticas, situada en la parte frontal inferior del aparato [1].



Si el mueble de cocina incluye un zócalo, se debe colocar de manera que se asegure un mejor flujo de aire [2].

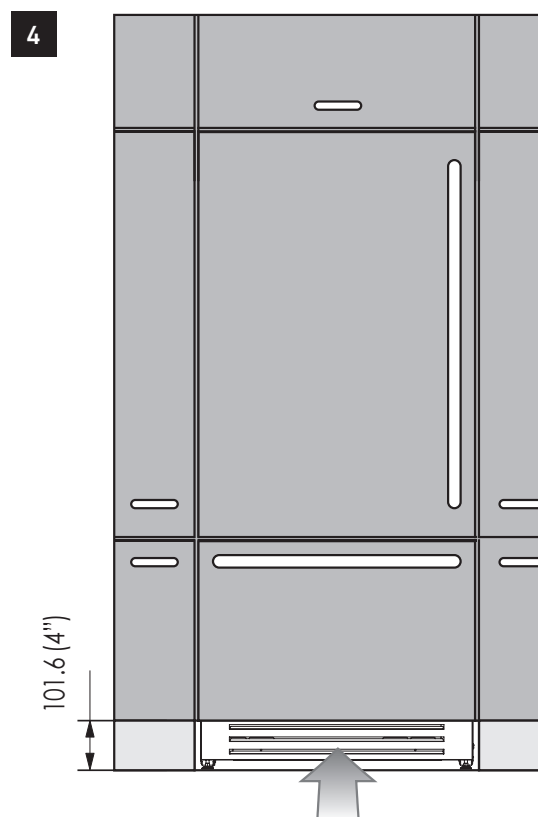


En caso de colocar un zócalo de manera diferente a la de la imagen (2), es necesario perforar el zócalo al menos en un área igual al 50 % del área delimitada por las medidas A y B de la imagen [3].



	36"	30"	24"	18"
A	860 (33 7/8")	740 (29 1/8")	560 (22")	410 (16 1/8")
B	> 80 (3 1/8")			
C	10 (3/8")			

Es necesario limpiar con regularidad el condensador. Para ello, se debe tener acceso a la rejilla frontal [4].



6. FINALIZACIÓN DE LA INSTALACIÓN


6.3 Comprobaciones posteriores a la instalación

- ✓ Comprobar que las patas niveladoras delanteras estén instaladas correctamente.
- ✓ Comprobar que la conexión a la red del agua no presente fugas y que se acceda fácilmente a la llave de paso.
- ✓ Comprobar que la conexión eléctrica haya sido efectuada correctamente y que se acceda fácilmente al enchufe y/o al interruptor.
- ✓ Comprobar la perfecta alineación del aparato con las estructuras adyacentes.
- ✓ Comprobar que se hayan quitado todas las cintas adhesivas y los dispositivos de protección temporal externos o internos.
- ✓ Comprobar que las puertas se cierren perfectamente y que los cajones y los estantes se deslicen suavemente.


6.4 Puesta en marcha

> Para poner en marcha el aparato, enchufar la clavija en la toma de corriente: entonces, al abrir la puerta, el panel de control normalmente presentará el mensaje "Stand by", y todos los iconos del panel estarán apagados

Stand by

- > Para encender todos los compartimentos del aparato, pulsar el icono  durante tres segundos. En la pantalla se mostrará el mensaje "Prueba inicial" durante aproximadamente 2 minutos. Después de esta fase los compresores se pondrán en marcha y permanecerán encendidos hasta que en el compartimento se alcancen las temperaturas establecidas. Téngase en cuenta que esta operación podría durar varias horas, durante las cuales la pantalla seguirá parpadeando con el mensaje "Puesta en marcha".
- > Si el aparato está provisto de una Máquina de hielo, antes de encenderlo hay que asegurarse de que el cartucho de filtro de agua esté instalado (a menos que el suministro de agua ya esté filtrado por otros medios, como la ósmosis inversa).

> Eliminar el aire de las líneas del agua activando la función de "Limpieza manual" en las opciones de Menú->Funciones->Filtro del agua. Es posible que se tenga que efectuar esta secuencia varias veces hasta que no se oiga más aire salir por tubo de llenado de la Máquina de hielo (consúltese el manual de uso y mantenimiento).

> Una vez seguros de que el sistema está purgado del aire, encender la Máquina de hielo pulsando el icono  que se iluminará.

> Para obtener más información sobre el funcionamiento del aparato, consultar el Manual del Usuario.

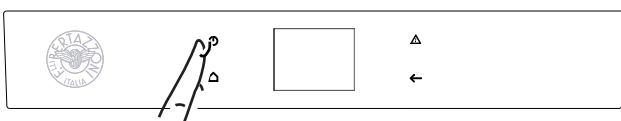


Si al primer encendido no aparece el mensaje Stand by, pero aparecen otros mensajes, como Refrigerador demasiado caliente, Congelador demasiado caliente, o se actúan las señales sonoras, quiere decir que el aparato ya ha empezado previamente el proceso de enfriamiento. En este caso, desactivar cualquier eventual señal sonora pulsando el icono Alarma, cerrar la puerta y esperar hasta que se alcance la temperatura establecida.



Es necesario dejar que el aparato alcance la temperatura correcta antes de poner alimentos dentro.

Bertazzoni investiga continuamente nuevas formas de mejorar las características y el diseño de sus productos, por lo que actualiza y revisa a menudo los modelos.



www.bertazzoni.com